



# Installation Instructions for Hide-Away Recessed Ironing Boards

Models: SPA100, SPA150, COL200, and SUP400 through SUP480

Please read instructions before installing your Hide-Away ironing board. Check to be sure all parts are included. If any parts are missing, DO NOT RETURN TO PLACE OF PURCHASE. Hide-Away will rush you a replacement of any missing or broken parts at no charge. Call C & A INTERNATIONAL at: 866-421-1873.

For more product information and assistance, visit our website at: [www.candainternational.com](http://www.candainternational.com)

## PARTS LIST:

Quantities are in parenthesis:

- (1) Ironing board cabinet.
- (1) Cabinet door
- (1) Ironing board cover and pad
- (1) Sleeve board cover and pad. SUP400 model only
- (2) Door hinges
- (4) Cabinet mounting screws
- (1) Garment hook. (SPA150, COL200, and SUP400 through SUP480 only)
- (8) Door hinge mounting screw for:
  - Models SPA150, COL200, and SUP400 through SUP480
  - (10) Door hinge mounting screws for Model SPA100

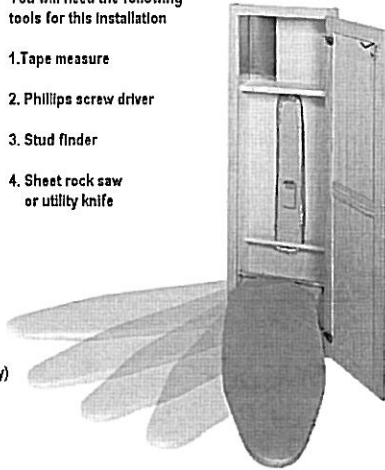
## ACCESSORIES:

EU-1 Electrical Unit: For use with Supreme models only. UL Listed electrical unit includes 20 minute timer, plug-in, and light fixture.

Designer Ironing Board Covers: Available in a variety of colors and patterns. Enhance your Hide-Away board with our attractive fabrics.

You will need the following tools for this installation

1. Tape measure
2. Phillips screw driver
3. Stud finder
4. Sheet rock saw or utility knife



## 3 Year Limited Warranty

From the date of purchase on all defective parts returned to factory for replacement, other than ironing board cover and pad. This warranty does not include labor for installation or replacement.

# 1.

## Determining where to install

When selecting the exact location for your cabinet, remember to leave room for your door to open. The door can be mounted on either side of the cabinet. It is recommended that you allow at least 55-1/4 inches wide and 44 inches deep clearance around the Hide-Away Ironing Board (see Figure 1). The Supreme and Colonial Series ironing boards will swivel to either side so you will not need to be concerned about blocking a walkway. CAUTION: Make sure the location you choose is free of all electrical and mechanical services.

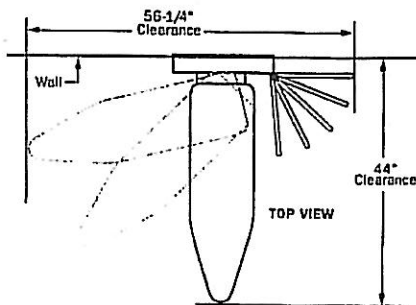


Figure 1. Recommended clearance.

# 2.

## Installation and Operation of the EU-1 Electrical Unit (optional).

For Models SUP400 through SUP480 Models ONLY



**WARNING:** To reduce the risk of burns, fire, electric shock, apply the following:

- READ ALL INSTRUCTIONS BEFORE USING THE UNIT.
- When using an electrical appliance, basic precautions should always be followed.
- Close supervision is necessary when this appliance is used by, or near children or disabled persons.
- Use this appliance only for its intended use as described in this manual. DO NOT USE attachments not recommended by the manufacturer.
- To disconnect, turn all controls to the off position, then remove the plug from the outlet.
- All controls are to be in the off position and all plugs are to be removed from the outlet prior to folding the ironing board and closing the cabinet door.
- Keep combustibles, such as plastics, paper goods, aerosol containers, and similar materials away from the lamp.
- The receptacle in this product is only to be used for the connection of an iron.
- Use only a 30 Watt maximum, type R-20 lamp.

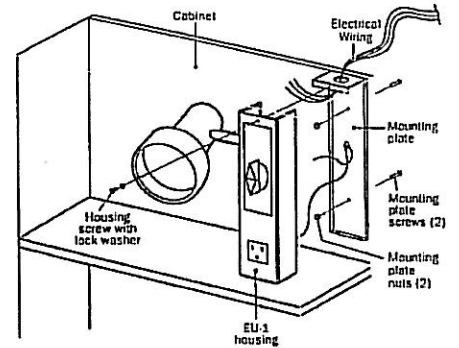


Figure 4. Installing the EU-1 in the cabinet.

## Installation



**CAUTION:** Electrical wiring for the EU-1 is to be installed in accordance with local electric codes. Please consult a licensed electrician in your area.

- A. When installing the electrical wiring, allow an extra length of wire so that the cabinet can be set on the floor when installing the EU-1.
- B. Separate the mounting plate from the housing by removing the housing screw and lock washer as shown in Figure 4. **NOTE:** The ground wire for the electrical receptacle in the EU-1 is attached to the mounting plate.
- C. Drill a 1" diameter hole on top of the cabinet as indicated in Figure 2.
- D. Place the mounting plate under the 1" hole and drill two mounting holes through the mounting plate and cabinet (see Figure 4). Secure the mounting plate with the two screws and nuts supplied.

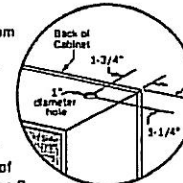


Figure 2.

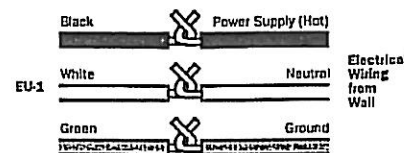


Figure 3. EU-1 Wiring connections.

- E. Route the electrical wires from the wall through the 1" hole and through the top of the mounting plate (see Figure 4).
- F. Connect the electrical wiring with wire nut connectors as indicated in Figure 3. **NOTE:** The wire nut connectors must be UL approved and must be able to connect 14/12 gauge wires.
- G. Assemble the EU-1 housing to the mounting plate by inserting the two mounting plate tabs into the bottom of the housing and secure with the housing screw and lock washer.

## Operation

- A. Open the cabinet door and lower the ironing board onto the horizontal position.
- B. Plug your iron into the receptacle in the EU-1 electrical unit. Please note that the receptacle is for use with an iron only.
- C. Turn the dial on the timer to the amount of time you intend to be ironing. This will turn on the light, and send power to the receptacle. If you will be ironing longer than thirty minutes, you will have to set the timer again when time expires.
- D. When you are finished ironing, unplug the iron. If there is time left on the timer, turn the timer to zero.
- E. The Hide-Away ironing board should not be used as a counter-top.

## Maintenance

- A. Replace the lamp bulb with a 30 watt maximum light bulb (type R-20 lamp only).
- B. There are no user-serviceable parts in the electrical enclosure part of the unit. Servicing must be performed by a qualified electrician.

### 3. Cutting the hole in the wall.

**CAUTION:** Before you begin, make sure the location you choose is free of all electrical and mechanical services.

- The Hide-Away Ironing board is designed to be easily installed between two normal 16" center studs. First determine the desired height of the ironing board from the floor. The mounting hole dimensions in Figure 5 indicate the standard height of 36" above the floor. This can be obtained by cutting the base of your wall opening 27" above the floor. You may adjust higher or lower according to your preference.
- Locate the wall studs using a stud finder.
- Mark the location of the mounting hole using a pencil (see Figure 5 for dimensions).
- Cut a 14-1/4" x 46-1/4" opening in the wall using a sheet rock saw or utility knife.

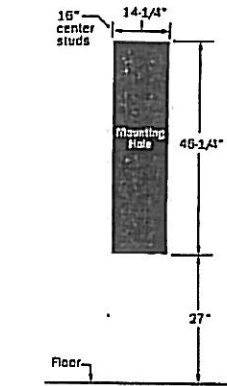


Figure 5. Mounting hole dimensions.

### 4. Attaching the hinges to the door.

Models SPA150, COL200, SUP400 and SUP420

- Close the hinge so that it snaps shut (see Figure 6). The hinges can be used to mount the door on the right or left side of the cabinet.
- Slide the lower section of the hinge into the door notch (see Figure 7). When the hinge is properly seated in place, the edge of the pivot pin will be flush with the edge of the door. Using two of the hinge mounting screws, secure the hinge to the door. Follow the same steps to attach the second hinge.

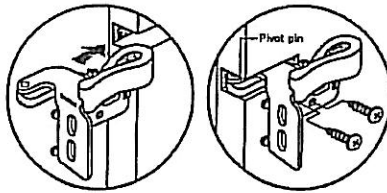


Figure 7. Seating the hinge in the door.

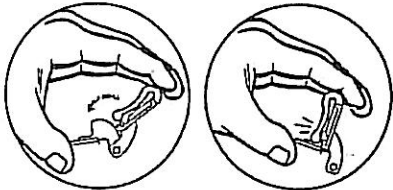


Figure 6. Closing the hinge.

Model SPA100

- Measure 3 inches from the top and bottom edge of the door. Mark the measurement (see Figure 8).
- Align the edge of the hinge to the mark as indicated in Figure 8. Secure with three 1/2" mounting screws.

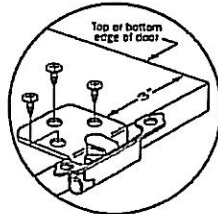


Figure 8. Installing the SPA100 hinge.

### 5. Attaching the door to the cabinet.

Models SPA150, COL200, SUP400 and SUP420

- The door may be attached to either side of the cabinet. Determine which side you prefer and lay the cabinet down on that side (see Figure 9).
- Lay the door beside the cabinet as shown in Figure 9 with both hinges fully opened. Slide the door toward the cabinet so that the hinges extend inside. Notice that each hinge has two small "stop guides" (see Figure 9a). The stop guides should rest against the front edge of the cabinet and stop the hinge from going further.
- Mark the location of the hinge's mounting holes on the cabinet frame with a pencil. Using a 3/32" bit, drill pilot holes 1/2" deep into the cabinet frame for each mounting hole.
- Attach the hinges to the cabinet using the remaining hinge mounting screws.

Figure 9. Door installation.

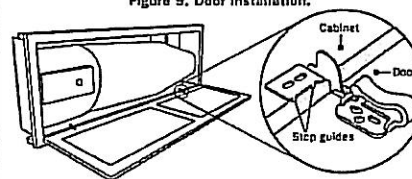


Figure 9a.

Model SPA100

- Lay the cabinet on a flat surface with the opening facing up.
- The door may be attached to either side of the cabinet. Determine which side and place the door on top of the opening of the cabinet. Center the door on the cabinet by providing equal distance from the edge of the cabinet to the edge of the door on all four sides (see Figure 10).
- Secure the hinges to the cabinet using the 5/8" mounting screws (see Figure 10a).

Figure 10. SPA100 Door installation.

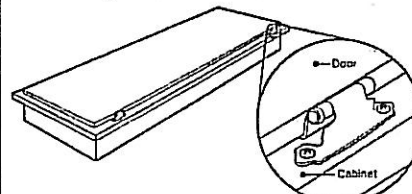


Figure 10a.

### 6. Installing the cabinet in the wall.

- With the door closed, place the cabinet in the wall opening. Open the door and secure the cabinet to the wall studs with the four 1-5/8" mounting screws (see Figure 11).
- If the ironing board does not move up and down freely, you may use a dry bar of soap to lubricate the track in which the metal bar slides. This may be repeated as needed. Also, if the swivel action of the ironing board needs to be tightened or loosened, adjust the swivel nut located under the board.

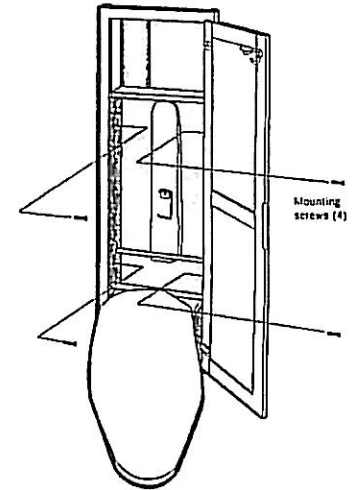


Figure 11. Securing the cabinet in the wall.

### 7. Installing the garment hook.

Install the garment hook using the two mounting screws supplied. The placement of the garment hook should be 2" from the top edge and 5/8" from the side edge of the door (see Figure 12).

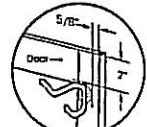


Figure 12.

C & A International is a distributor of  
Hide-Away Ironing Boards

2701 W. Concord St.  
Broken Arrow, Oklahoma 74012-1110

ORDER FORM

To order replacement Hide-Away Ironing Boards Cover and Pads sets, Sleeve Board Cover and Pad sets or a Sleeve Board, please include this completed form with your check or money order. Call 866-421-1873 for credit card orders. Visit our web site at: [candainternational.com](http://candainternational.com)

QTY	DESCRIPTION	COST	EXT. COST
	SPACEAID SERIES 100 COVER/PAD SET FOR BOARDS THAT DO NOT SWIVEL	\$11.95	
	SUPREME SERIES COVER/PAD SET FOR ALL BOARDS THAT SWIVEL	\$11.95	
	SLEEVE BOARD WITH COVER/PAD SET	\$21.95	
	SLEEVE BOARD COVER/PAD SET	\$8.95	

TOTAL AMOUNT ENCLOSED

NAME \_\_\_\_\_

ADDRESS \_\_\_\_\_

CITY, STATE & ZIP \_\_\_\_\_

Please mail check or money order to:

C&A INTERNATIONAL, LLC  
2701 W. CONCORD STREET  
BROKEN ARROW, OK 74012

IF ANY PARTS ARE MISSING, DO NOT RETURN TO PLACE OF PURCHASE. WE WILL RUSH YOU ANY MISSING OR BROKEN PARTS AT NO CHARGE.

CALL C&A INTERNATIONAL, LLC  
866-421-1873

**NOTICE:**

**USE A 3/32 INCH DRILL BIT TO DRILL A PILOT HOLE 1/2 INCH IN DEPTH INTO THE SIDE OF FACE FRAME BEFORE INSTALLING HINGES.**

**NOTICE:**

**USE A 3/32 INCH DRILL BIT TO DRILL A PILOT HOLE 1/2 INCH IN DEPTH INTO THE SIDE OF FACE FRAME BEFORE INSTALLING HINGES.**