

Project		Catalog #		Type	
Prepared by		Notes		Date	



HALO

RLNL6 Night Light Direct Mount

6" Night Light LED Canless Direct Mount
w/ Remote Driver/Junction Box
1000 Lumen Series

Typical Applications

Residential

Product Certification



Refer to ENERGY STAR® Certified Products List.
Can be used to comply with California Title 24 High Efficacy requirements.
Certified to California Appliance Efficiency Database under JAB.

Product Features



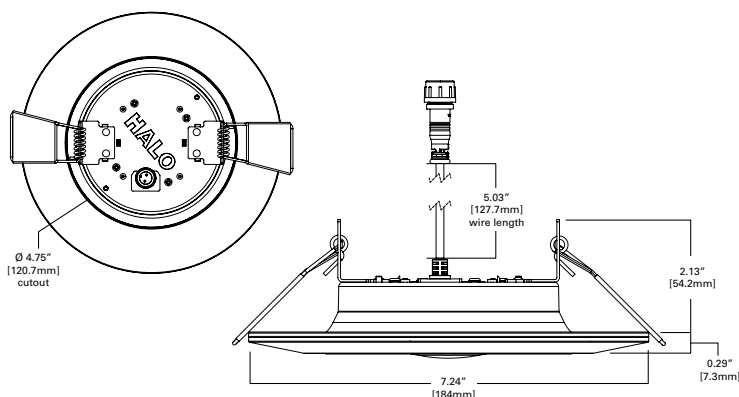
Interactive Menu

- Order Information page 2
- Product Specifications page 3
- Photometric Data page 4
- Energy & Performance Data page 4
- Product Warranty

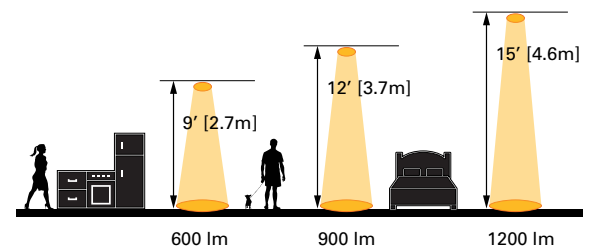
Top Product Features

- 6" LED Direct Mount Night Light with Field Selectable CCT
- Direct mount - does not require recessed housing or junction box
- 6 selectable color temperature options
 - 2700K, 3000K, 3500K, 4000K, 5000K
 - Dim-to-warm technology included: use your dimmer to warm color temperature from 3000K to 1800K
- Night light provides soft glow at 2000K CCT
- Wet location listed for showers and protected ceilings
- Dimmable to 5% with 120V dimmers

Dimensional and Mounting Details



Scale



additional product diagrams

Order Information

SAMPLE ORDER NUMBER: **RLNL6109FSD2W1EWHDM**

A complete luminaire consists of an LED module and remote driver/junction box.

Models	Lumens	CRI/CCT	Driver	Finish	Mounting
Models	Lumens	CRI/CCT	Driver	Finish	Mounting
RLNL6 = 6" LED Night Light	10 = 1000 lumens (nominal)	9FSD2W = 90 CRI, selectable CCT with D2W option	1E = 120V 60Hz, LE & TE phase cut 5% dimming	WH = Matte white	DM = Canless Direct Mount
Notes	Notes	Notes	Notes	Notes	Notes

Accessories

Accessories

Mounting Frame

HL6RSMF = 6" round and square mounting frame

Extension Cable

EC5PIN-6FT = 6ft. 5 pin extension cable

EC5PIN-12FT = 12ft. 5 pin extension cable

EC5PIN-20FT = 20ft. 5 pin extension cable

Light Modes

Flip wall switch On/Off/On under 1.5 seconds to change light mode.

Downlight



Night Light



Product Specifications

Night Light System

- Choose mode of light based on toggle of light switch

NIGHTLIGHT MODE:

- With wall switch in 'ON' position (downtight on), cycle wall switch 'OFF' and back to 'ON' within 0.2-1.5 seconds. Fixture should illuminate in nightlight mode.

- Fixture will default back to downtight mode when wall switch is cycled 'OFF' then 'ON'.

DOWNLIGHT MODE:

- Cycle wall switch to 'ON' position to turn on downtight.

- Cycle wall switch to 'OFF' position to turn off downtight.

CCT Select System

- Use the CCT select switch to choose between D2W, 2700K, 3000K, 3500K, 4000K, and 5000K CCT
- D2W option starts at 3000K and warms to 1800K as fixture dims

Module - Trim

- Module construction includes LED Array, heat sink, reflector, lens, baffle/trim ring and ceiling ring
- Regressed baffle
- Heat sink designed to conduct heat away from the LED array

LED Array

- Mid power LED array provides a uniform source with high efficiency and no pixilation
- 90 CRI minimum, R9 greater than 50
- Color accuracy within 3 SDCM at the CCT endpoints and 4 SDCM in between endpoints, provide color accuracy and uniformity.
- Color Temperature (CCT) has an selectable range from 2700K to 5000K (factory default 3000K)

Optical Assembly

- Regressed lens
- Impact-resistant polycarbonate
- Convex form and lamp-like appearance
- Diffuse for even illumination

Remote Driver/ Junction Box

- Aluminum driver / junction box with captive hinged junction box cover
- Listed for (6) #12 AWG 90° C splice conductors, 2-in, 2-out plus (2) ground
- (2) ½" conduit pry-outs
- (2) Slide-N-Side™ non-metallic (NM) wire traps all
- Accepts 14-2, 14-3, 12-2, 12-3 U.S and 14-2, 14-3, 12-2 Canadian NM cable
- (3) 4-port push wire nuts with clear caps for quick and reliable mains voltage connections
- Integral keyhole mounting slots facilitate direct mounting to building structure or new construction mounting frame

Driver

- Remote 120V 60 Hz constant current driver provides noise free operation
- Continuous, flicker-free dimming from 100% to 5%.
- Plenum rated inline electrical quick connect provides low voltage connection to fixture fitting

Installation

- Can be installed in 1/2" to 1-1/4" thick ceilings
- Cutout can utilize standard round hole saw sizes, cutout template provided
- Heat treated springs hold fixture fitting securely in the ceiling eliminating light leaks
- Can be removed from below the ceiling for service or replacement

Mounting / Retention

- The RL-DM requires no housing or third party junction box
- The remote enclosure may be used in direct contact with insulation
- Installer must cut template out of drywall and install into aperture with the clips compressed
- When released, the spring clips will rest on to the back side of the drywall
- Not for installation in recessed cans

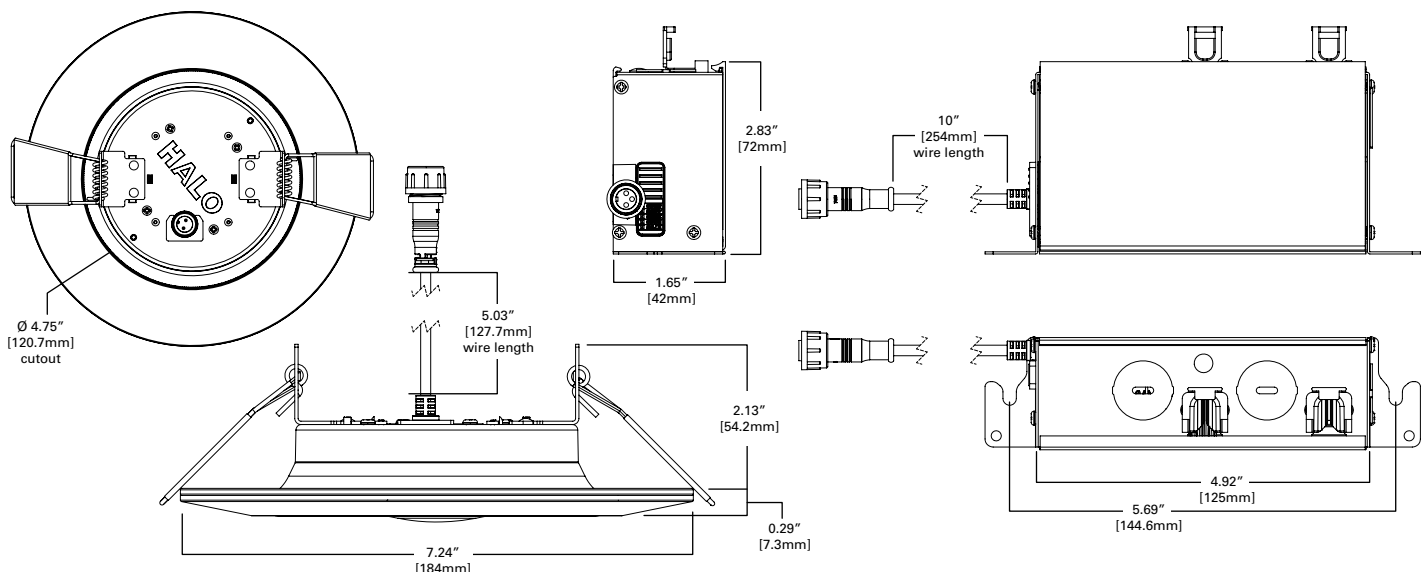
Compliance

- UL Certified for US and Canada, type IC suitable for direct contact with air permeable insulation
- Not for use in direct contact with spray foam insulation, reference NEMA LSD57-2013
- Wet and Damp location listed
- Airtight certified per ASTM-E283
- Suitable for use in closets when installed in accordance with the NEC 410.16 spacing requirements
- EMI/RFI emissions per FCC 47CFR Part 15 consumer limits
- Contains no mercury or lead and is RoHS compliant
- Photometric testing in accordance with IES LM- 79-08
- Lumen maintenance projections in accordance with IES LM-80-08 and TM-21-11
- Complies with State of California Title 24 JA8-2019-E as a high efficacy luminaire
- International Energy Conservation Code (IECC) and Washington State Energy Code compliant
- ENERGY STAR® listed, reference database for current listings

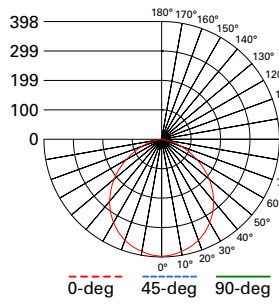
Warranty

- Five year limited warranty, consult website for details. www.cooperlighting.com/warranty

Dimensional and Mounting Details



Photometric Data

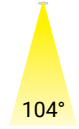


RLNL6109FSD2W1EWHDM-3000K

Spacing criterion:
 (0-180) 1.24 | (90-270) 1.24 | (Diagonal) 1.34
 Beam Angle: 104°
 Field Angle: 156°
 Lumens: 1020
 Input Watts: 11.5 W
 Efficacy: 88.7 LPW
 UGR: 25
 Test Report: P645281

Zonal Lumen	Lumens	% Lumens
0-30	304	29.9
0-40	494	48.4
0-60	842	82.5
0-90	1020	100

TM-30-15	Rf = 91
	Rg = 98
CRI/CIE	Ra = 92
	R9 = 64



Energy Data

RLNL6109FSD2W1EWHDM	
Lumens	1020
Input Voltage	120V
Input current	0.1A
Input Power	12W
Efficiency	88.7%
Inrush(A)	2.34A
THD	< 20%
PF	> 0.9
Sound Rating	< 22dBA

Product Specifications

RLNL6109FSD2W1EWHDM

PRODUCT SPECIFICATIONS	
Lumens	1020
Watts	11.5
Lumens Per Watt (Efficacy)	88.7
Color Accuracy (CRI)	92
Light Color (CCT) Correlated Color Temperature (CCT)	3000K
	2700K 3000K 4500K 6500K

RL4-DM	CCT	Lumens	Power (W)	LPW
Field Selectable CCT	2700K	995	11.5	86.5
	3000K	1020	11.5	88.7
	3500K	1055	11.5	91.7
	4000K	1085	11.5	94.3
	5000K	1110	11.5	96.5