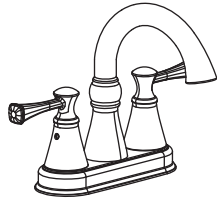




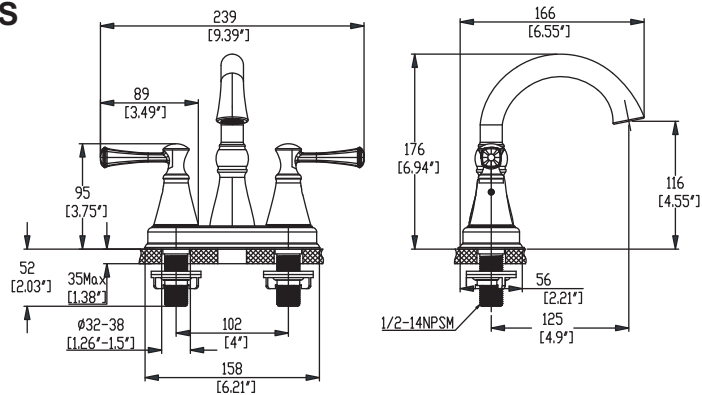
# PRODUCT TECHNICAL SHEET

## W42828-4

### 4" TWO-HANDLE LAV FAUCET



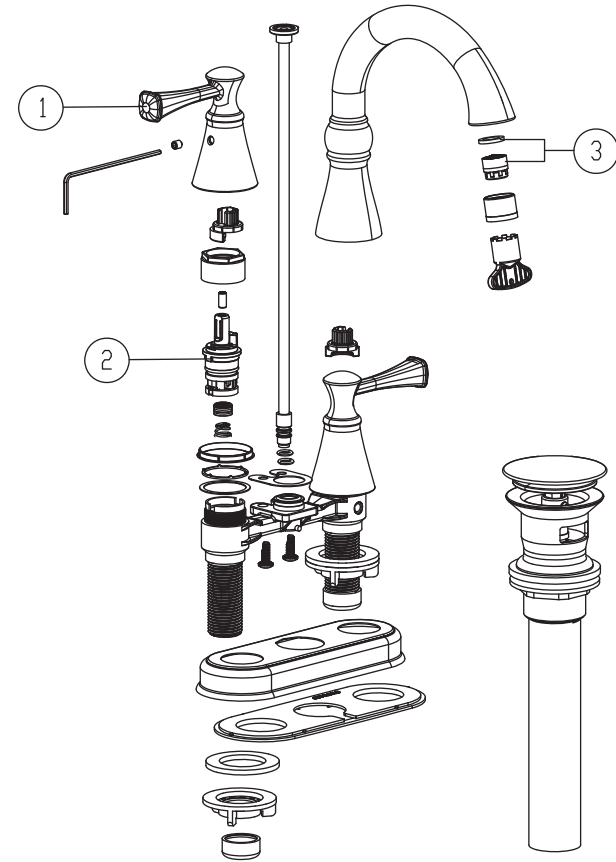
## DIMENSIONS



■ For Reference only (unit = mm[inch])

## EXPLODED DRAWING

Please read the followings before installing and usage.



## TECHNICAL DETAILS

Please read the followings before installing and usage.

### 1 Description

- Zinc Handles
- SUS Face Plate

### 3 Certificate



### 2 Technique Parameter

| Parameter                     | Water Pressure | Water Temperature |
|-------------------------------|----------------|-------------------|
| Market                        |                |                   |
| ASME A112.18.1/<br>CSA B125.1 | 20-80PSI       | 10-65°C           |

### 4 Surface maintenance

Remove any surface dirt and film using clean water and cotton cloth. Spray cleaner such as mild liquid detergents, clear liquid glass cleaner, non-acidic and fully dissolved powder cleaners or non-abrasive liquid polishers on the rag to clean the faucet surface.

Once clean, rinse faucet again with clear water to thoroughly remove cleaner and dry with soft cotton cloth.

| NO. | Description | Qty |
|-----|-------------|-----|
| 1   | HANDLE      | 2   |
| 2   | CARTRIDGE   | 2   |
| 3   | AERATOR     | 1   |

■ Notes: For reference only. We reserve the right to make changes without any notice.