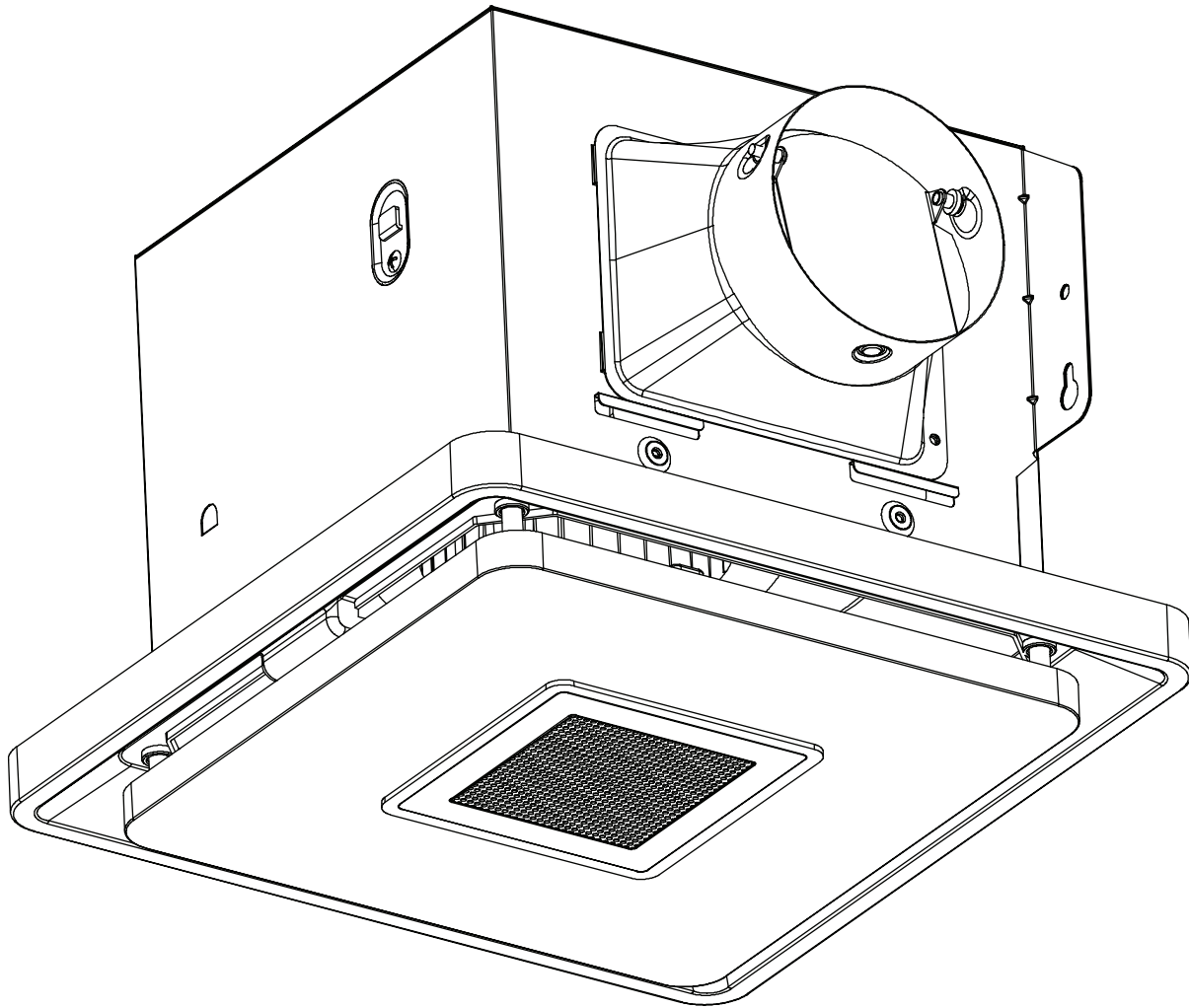




# BATH FAN WITH BLUETOOTH® SPEAKER, LED LIGHT, AND NIGHT LIGHT

MODEL 7130-13-BT

Español p. 12



**Questions, problems, missing parts?** Before returning to the store, call our customer service department at 1-877-319-3757, 7:30 a.m. - 4:30 p.m., CST, Monday - Friday.

**READ AND SAVE THESE INSTRUCTIONS**

U.S. Pat. No. 9,398,357

The BLUETOOTH® word mark and logos are registered trademarks owned by BLUETOOTH SIG, Inc. and any use of the said mark by Homewerks Worldwide is under license. Other trademark and trade names are those of their respective owners.

Homewerks.com

4-28-2021

## TABLE OF CONTENTS

---

Product Specifications .....	2
UL Compliance .....	2
FCC Compliance .....	2
Package Contents .....	3
Hardware Included .....	3
Safety Information .....	4
Preparation .....	4
Installation Instructions .....	6
LED Wall Switch Operation .....	9
Connecting BLUETOOTH® Device to Speaker .....	9
Care and Cleaning.....	9
Troubleshooting.....	11
Warranty .....	11

## PRODUCT SPECIFICATIONS

---

Airflow: 110 CFM	LED light power consumption: 15W
120V, 60Hz	LED light brightness: 800 lumens
Duct diameter: 4 in.	LED light color (CCT): 4000K Cool White
Sound output: 1.5 sones	Night light color: Blue and 2200K Warm White
Motor power consumption: 30W	Weight: 9.5 lbs.
Exhaust fan speed: 1050 RPM	

## UL COMPLIANCE

---

Ventilation Fan Motor Wheel Assembly OD is combined into Ventilation Fan Motor Housing D which is mounted into the ceiling opening.

These components comply with UL File 507: section 10.6, section 62.2.3, section 62.4.1, and section 64A.9.

## FCC COMPLIANCE

---

**NOTICE:** This equipment has been tested and found to comply with the limits for a Class B digital device, pursuant to part 15 of the FCC Rules. These limits are designed to provide reasonable protection against harmful interference in a residential installation.

This equipment generates, uses, and can radiate radio frequency energy and, if not installed and used in accordance with the instructions, may cause harmful interference to radio communications. However, there is no guarantee that interference will not occur in a particular installation.

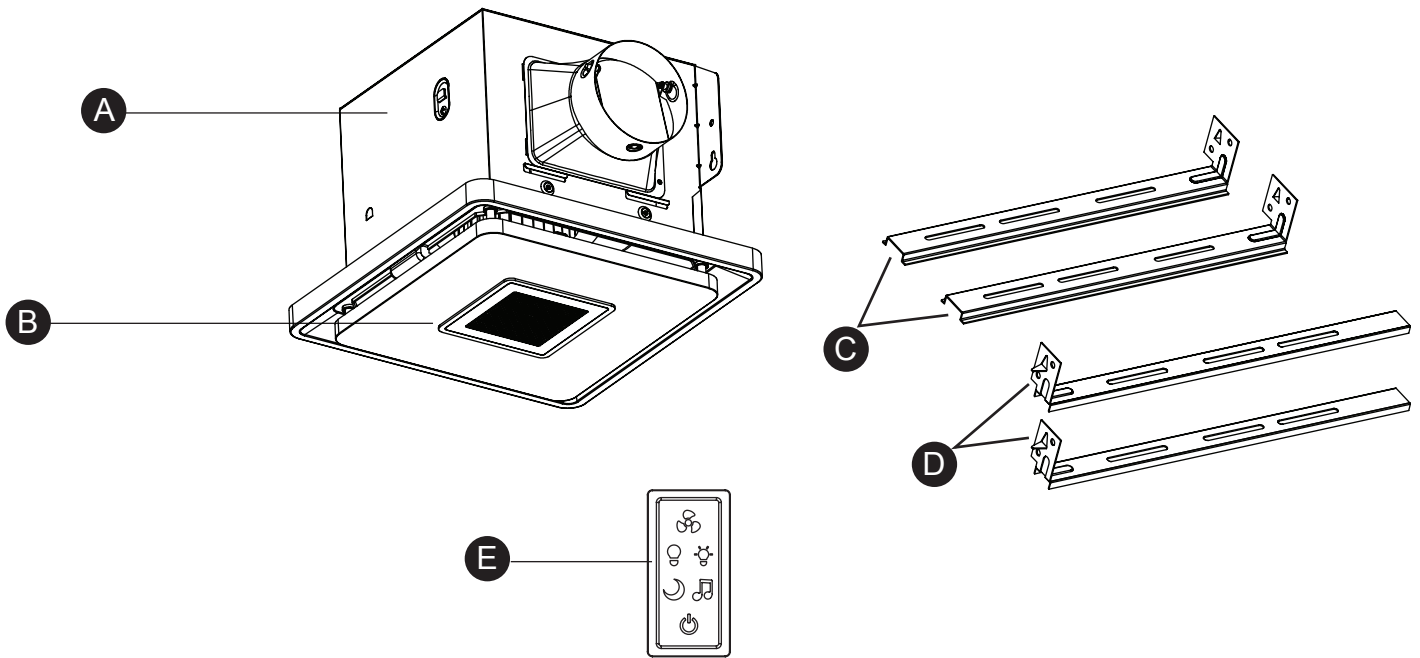
If this equipment does cause harmful interference to radio or television reception, which can be determined by turning the equipment off and on, the user is encouraged to try to correct the interference by one or more

of the following measures:

- Reorient or relocate the receiving antenna.
- Increase the separation between the equipment and receiver.
- Connect the equipment into an outlet on a circuit different from that to which the receiver is connected.
- Consult the dealer or an experienced radio/TV technician for help.

Changes or modifications made to this equipment not expressly approved by the party responsible for compliance could void the user's authority to operate the equipment.

# PACKAGE CONTENTS

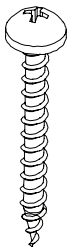


PART	DESCRIPTION	QTY
A	Fan Housing	1
B	Grille with BLUETOOTH® Speaker and LED Light	1
C	Suspension Bracket	2

PART	DESCRIPTION	QTY
D	Suspension Bracket	2
E	LED Touchpad Wall Switch	1

## HARDWARE INCLUDED (not shown actual size)

AA



Wood Screw  
M4 x 30  
Qty. 8

BB



Machine Screw  
M4 x 12  
Qty. 4

## SAFETY INFORMATION

---

Please read and understand this entire manual before attempting to assemble, operate or install the product.

- Always disconnect the power supply prior to servicing the fan, motor or junction box.
- Follow all local building, safety and electrical codes as well as NEC (National Electrical Code) and OSHA (Occupational Safety and Health Act).
- Electric Service supply must be 120 volts, 60 hertz.
- This product must properly connect to the grounding conductor of the supply circuit.
- Do not bend or kink the power wires.
- Do not use this fan with any solid state control device, such as a remote control, dimmer switch, or certain timers. Mechanical timers are not solid state devices.
- Do not install in a ceiling with insulation greater than R40.
- Duct work should be installed in a straight line with minimal bends.
- Duct work size must be the same size as the discharge and should not be reduced. Reducing the duct size may increase fan noise.
- This product is not intended for connection to rigid metal conduit. For use with flexible conduit only.



### CAUTION

- **For general ventilating use only. Do not use to exhaust hazardous or explosive materials and vapors.**
- **Not for use in kitchens.**
- **To reduce the risk of injury to persons, install the fan at least 7 feet (2.1m) above the floor.**
- **To reduce risk of fire and to properly exhaust air, be sure to vent air to the outdoors. Do not vent exhaust air into spaces within walls or ceilings, or into attics, crawl spaces, or garages.**



**WARNING: To reduce the risk of fire, electric shock, or injury to persons, observe the following:**

1. Use this unit in the manner intended by the manufacturer. If you have any questions, please call customer service.
2. Before servicing or cleaning unit, switch power off at service panel and lock the service disconnecting means to prevent power from being switched on accidentally. When the service disconnecting means cannot be locked, securely fasten a prominent warning device, such as a tag, to the service panel.
3. Installation work and electrical wiring must be done by a qualified person(s) in accordance with all applicable codes and standards, including fire-rated construction.
4. Sufficient air is needed for proper combustion and exhausting of gases through the flue (chimney) of fuel burning equipment to prevent backdrafting. Follow the heating equipment manufacturer's guideline and safety standards such as those published by the National Fire Protection Association (NFPA), and the American Society for Heating, Refrigeration and Air Conditioning Engineers (ASHRAE) and local code authorities.
5. When cutting or drilling into the wall or ceiling, do not damage electrical wiring and other hidden utilities.
6. To reduce risk of fire and to properly exhaust air, be sure to vent air to the outdoors. Do not vent exhaust air into spaces within walls or ceilings, or into attics, crawl spaces, or garages.
7. If this unit is to be installed over a tub or shower, it must be marked as appropriate for the application and be connected to a GFCI (Ground Fault Circuit Interrupter) – protected branch circuit.
8. This ventilation fan is intended to be installed at least 3.28 ft. (1 m) from the showerhead when installing over a bathtub or shower. Installation within a shower stall is not recommended for this unit, unless the 3.28 ft. (1 m) distance can be met.

**CAUTION:** Installation of this unit requires the power to be OFF until installation is complete. If you encounter issues with the unit not powering up, please review the troubleshooting section of the instruction manual.

If you require additional assistance, please call 1-877-319-3757, 7:30 a.m. - 4:30 p.m., CST, Monday - Friday. **DO NOT RETURN TO STORE.**

## PREPARATION

---

Before beginning assembly of product, make sure all parts are present. Compare parts with package contents list and hardware contents. If any part is missing or damaged, do not attempt to assemble, install or operate the product. Contact customer service for replacement parts at 1-877-319-3757, 7:30 a.m. - 4:30 p.m., CST, Monday - Friday.

Tools Required for Assembly (not included): Hammer, Flathead Screwdriver, Wire Connectors, Nails, Duct Tape, Phillips Head Screwdriver, and Utility Knife or Drywall Saw.

Helpful Tools (not included): Electric Drill, Drill Bits

## PREPARATION (continued)

**WARNING: RISK OF ELECTRIC SHOCK.** Ensure the electricity to the wires you are working on is shut off. Either remove the fuse or turn off the circuit breaker before removing the existing bath fan or installing the new one.

Before removing your current ventilation fan, verify the wall switch box has the required wires necessary for this installation. These supply wires are power (black) and neutral (white), as shown in the wiring diagram below. If you do not see both of these wires, consult a licensed electrician.

Check area above installation location to be sure that wiring can run to the planned location and that duct work can be run and the area is sufficient for proper ventilation.

Inspect duct work and wiring before proceeding with installation.

Before installation, provide inspection and future maintenance access at a location that will not interfere with installation work.

You may need the help of a second person to install this fan; one person on the attic side and one on the room side.

Installation may vary depending on how the previous bath fan was installed. Supplies necessary for the installation of your bath fan are not all included; however, most are available at your local home improvement or hardware store.

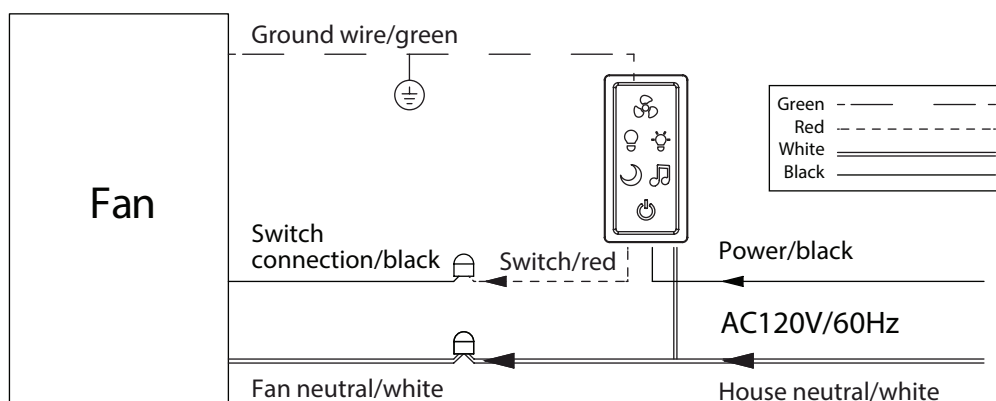
## DIMENSIONS

Ceiling Opening (L)	Ceiling Opening (W)	Ceiling Opening (H)
9-1/4 in.	9-1/4 in.	8-1/4 in.

Housing Dimension (L)	Housing Dimension (W)	Housing Dimension (H)
9 in.	9 in.	7-11/16 in.

## WIRING

All wiring must be connected for full functionality. The grille must be connected to the fan housing before supplying power to the fan in order for the LED Touchpad Wall Switch to pair with the fan properly. Turning on the power supply before connecting the grille to the fan housing will interfere with the pairing process. Do not use metal wall plate with switch.



### ATTENTION:

The switch included with this ventilation fan requires a dedicated neutral wire connection. If a neutral line is not present, one must be run by a qualified electrician.

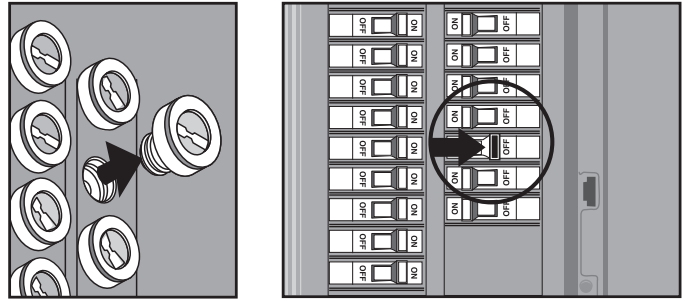
**NOTE:** This switch is intended to only operate independently with this bath fan. Connections to other electrical fixtures are prohibited and could cause electrical issues.

If you require assistance, please call 1-877-319-3757 before attempting switch installation.

# INSTALLATION INSTRUCTIONS

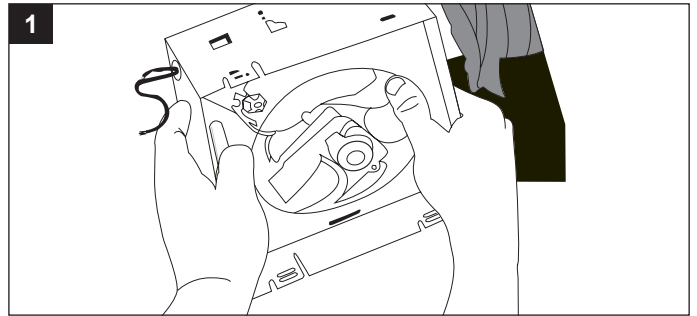
## BEFORE INSTALLATION

**WARNING: RISK OF ELECTRIC SHOCK!** Ensure the electricity to the wires you are working on is shut off. Either remove the fuse or turn off the circuit breaker before removing the existing bath fan or installing the new one.

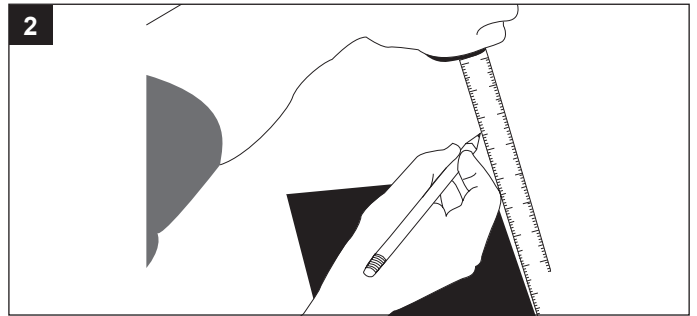


1. Remove existing fan.

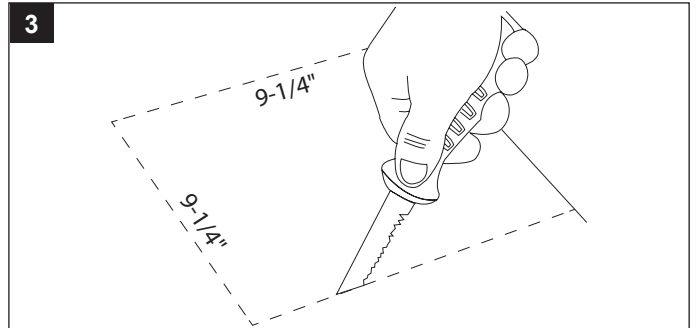
**If you are not replacing an existing fan, skip to step 4 or 7.**



2. Measure the opening to ensure it is large enough to accommodate the 9 in. x 9 in. dimensions of the new fan housing (A).



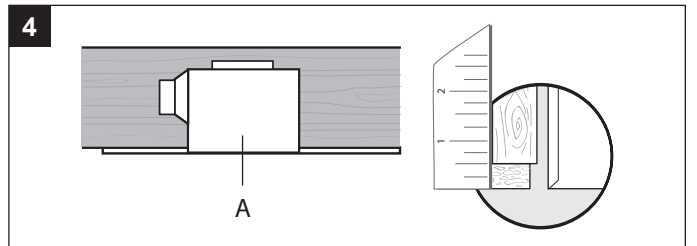
3. If this fan is not replacing an old fan, be sure to cut a 9-1/4 in. x 9-1/4 in. opening for the fan housing (A).



### For spacing of less than 21-1/4 inches between ceiling joists:

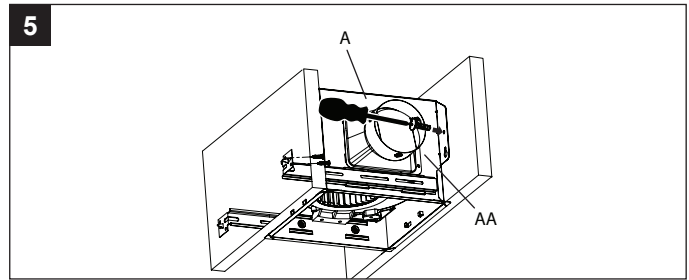
4. Place the fan housing (A) next to a ceiling joist. The fan housing (A) should be level and perpendicular to the joist. Allow for thickness of ceiling board used in your application.

Position the fan housing (A) so the bottom edge of the fan housing (A) is flush with the ceiling board. Do not flush mount the fan housing (A) to the bottom of the joist.

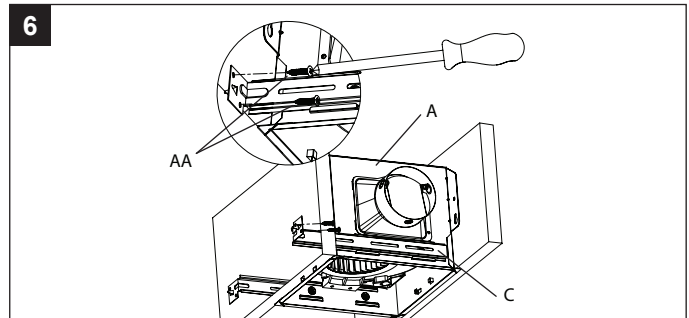


## INSTALLATION INSTRUCTIONS (continued)

5. Insert suspension bracket (C) into the tabs on each side of the fan housing (A) and then mount the fan housing (A) to the joist by inserting the wood screws (AA) into the holes indicated on the metal tabs of the fan housing (A). Tighten the wood screws (AA) until the fan housing (A) is firmly secured to the joist.

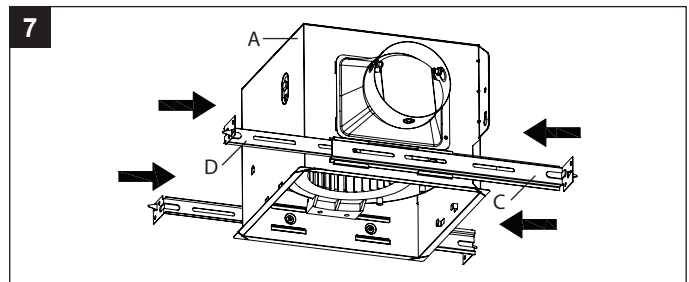


6. Attach the end of each of the suspension brackets (C) to the ceiling joist using wood screws (AA). Skip to step 10.



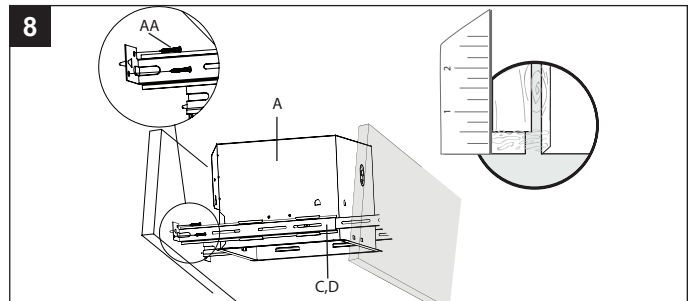
7. **For spacing of 21-1/4 in. to 23-1/2 in. between ceiling joists:**

Insert suspension brackets (C) into the tabs on the fan housing (A) and then slide suspension brackets (D) into suspension brackets (C). Repeat on the opposite side of the fan housing (A).

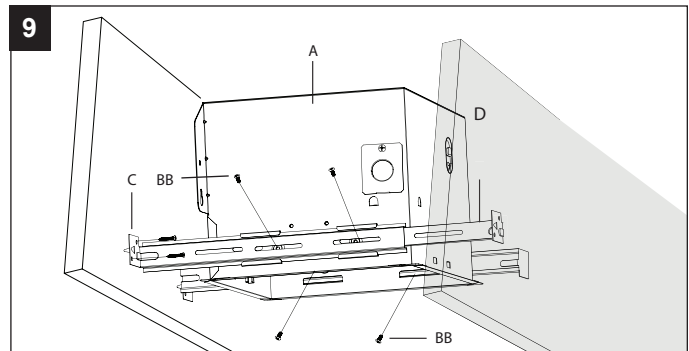


8. Position the fan housing (A) so the bottom edge of the fan housing (A) is flush with the ceiling board. Do not flush mount the fan housing (A) to the joist.

Attach the end of each of the suspension brackets (C, D) to the ceiling joists using wood screws (AA).



9. Secure the suspension brackets (C, D) to the fan housing (A) using machine screws (BB).



## INSTALLATION INSTRUCTIONS (continued)

10. Remove the wiring box cover from the fan housing (A). Pull the house wires through the hole in the wiring box cover. Using the quick connectors, connect the house wiring to the LED wall switch (E) and fan housing (A). 14 AWG is the smallest conductor that should be used for branch circuit wiring. Please refer to the wiring diagram on page 5 to ensure proper wire connections are made. Carefully push the wire connections into the wiring box and reattach the wiring box cover.

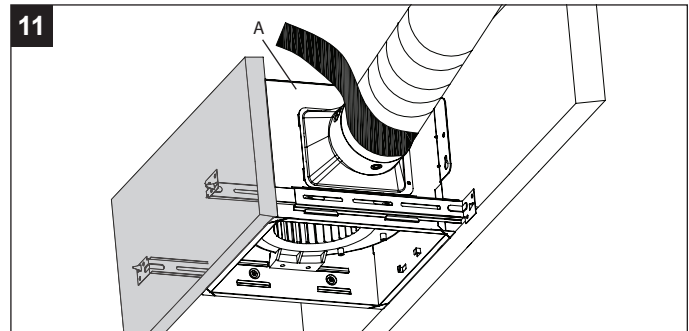
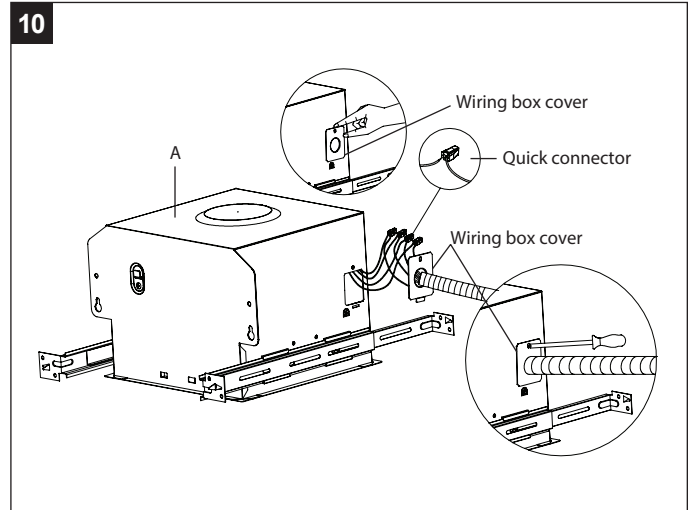
**NOTE:** When wiring the LED wall switch (E), do not use metal wall plate as it may cause interference with the fan operation.

**CAUTION:** The switch included with this ventilation fan requires a neutral wire connection. If a neutral line is not present, one must be run by a qualified electrician. If you require assistance, please call 1-877-319-3757 before attempting switch installation.

**CAUTION:** This switch is intended to only operate with this bath fan. Connections to other electrical fixtures are prohibited and could cause electrical issues.

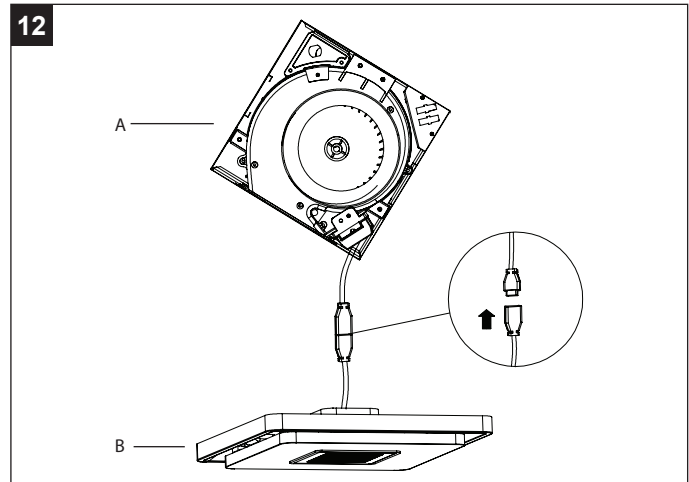
**IMPORTANT:** Do not turn on the power supply to the fan until Step 13 or the LED wall switch will not pair to the fan or function properly.

11. Connect a 4 in. circular duct to the fan housing (A), securing it with duct tape or a clamp. Vent the duct to the outside.



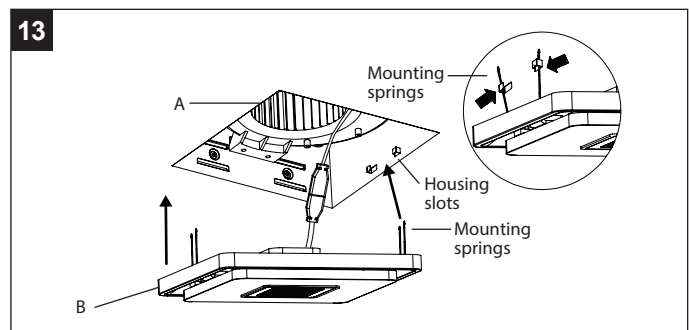
12. Join the connectors for the BLUETOOTH® speaker from the fan housing (A) to the grille (B).

**IMPORTANT:** The grille (B) must be connected BEFORE turning on power to the fan.



13. Attach grille (B) by pinching the mounting springs and inserting them into the narrow rectangular slots in the fan housing (A).

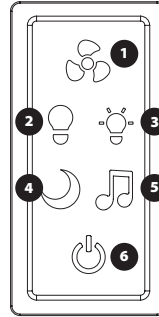
Restore the power supply to the wall switch and fan by turning on the circuit breaker or re-inserting the fuse. Turn on the fan. Test the unit.



## LED WALL SWITCH OPERATION

---

1. Fan: Press for ON/OFF.
2. LED Light: Press for ON/OFF.
3. Dimmer: Press multiple times to adjust brightness.
4. Night Light: Press for ON/OFF.
5. BLUETOOTH® Speaker: Press for ON/OFF.  
Adjust volume from your BLUETOOTH device.
6. Main Power Switch: Press for ON/OFF



NOTE: Icon is illuminated when the feature is on.

## CONNECTING YOUR BLUETOOTH® DEVICE TO THE SPEAKER

---

1. To play your personal music files, you need a wireless BLUETOOTH® device.
2. Set your device to a midrange volume before connecting to the speaker.
3. Follow the instructions that came with your BLUETOOTH® device to make it discoverable or to set it to search for other BLUETOOTH® accessories. This may involve entering a passkey or PIN (Personal Identification Number).
4. From the Home screen, choose Settings > BLUETOOTH®, to search for the speaker.  
Note: While your device can maintain multiple pairing records, it can only connect to one accessory at a time. This prevents your device from sending your data to the wrong BLUETOOTH® accessory.
5. Choose the Homewerks™ speaker, and then enter a passkey or PIN (0000) if prompted.
6. When pairing is complete, use the BLUETOOTH® speaker to play audio from your device.
7. Optimal volume setting for the BLUETOOTH® speaker is 70% or lower. Settings higher than 70% may cause sound distortion.

## CARE AND CLEANING

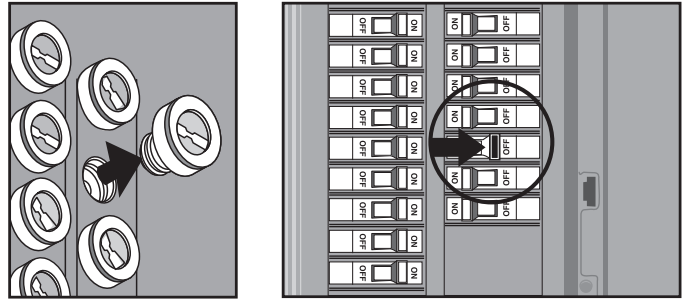
---

**CAUTION: Before attempting to clean the fixture, disconnect the power to the fixture by turning the breaker off or removing the fuse from the fuse box.**

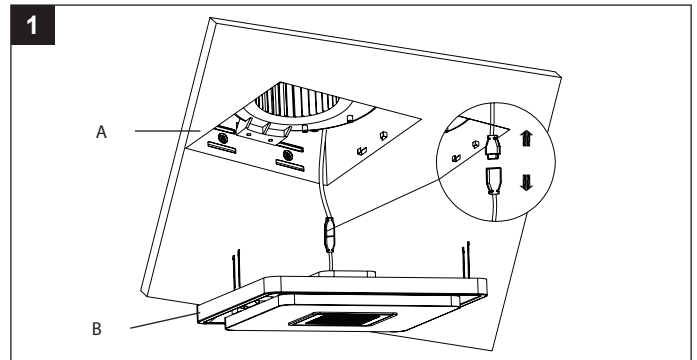
- See safety information before proceeding. Routine maintenance should be done at least once a year.
- Never use solvents, thinner or harsh chemicals for cleaning the fan.
- Do not allow water to enter the motor.
- Do not immerse metal parts in water.
- Do not immerse resin parts in water more than 140°F.
- Do not immerse BLUETOOTH® speaker in water.

## CARE AND CLEANING (continued)

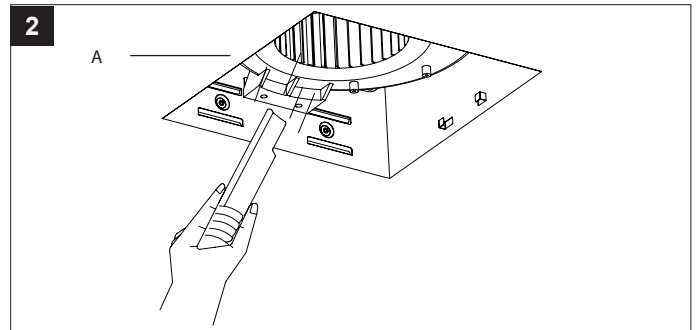
**WARNING: RISK OF ELECTRIC SHOCK!** Ensure the electricity is shut off. Either remove the fuse or turn off the circuit breaker before cleaning.



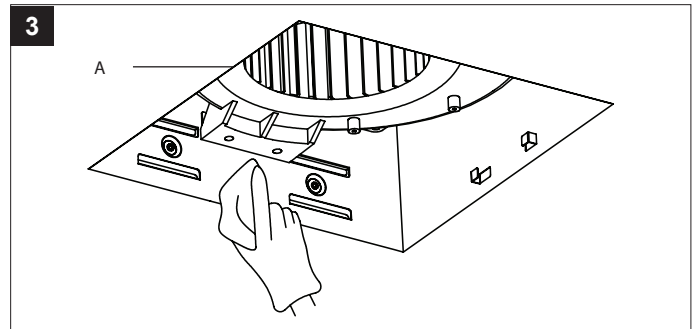
1. Remove the grille (B) by squeezing the mounting springs and pulling the grille (B) down from the fan housing (A). Disconnect the connectors to remove the grille (B) from the fan housing (A). Wipe grille (B) with a damp cloth.



2. Remove dust and dirt from the fan housing (A) with a vacuum cleaner.

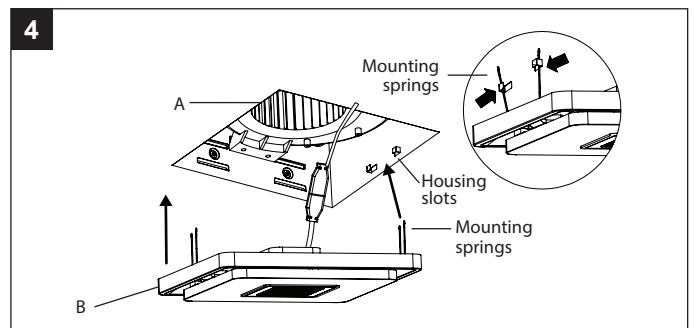


3. Wipe the fan housing (A) with a damp cloth and wipe dry.



4. Join the connectors for the BLUETOOTH® speaker and LED light from the fan housing (A) to the grille (B). Attach grille (B) by pinching the mounting springs and inserting them into the narrow rectangular slots in the fan housing (A).

Turn on power source. Test the unit.



## TROUBLESHOOTING

PROBLEM	POSSIBLE CAUSE	SOLUTION
The fan seems louder than it should.	The CFM is too great for the space.	Be sure the CFM rating on the fan matches the square footage of your room.
	The damper is damaged or not working properly.	Check the damper to ensure it is opening and closing properly. If the damper has become damaged, please call Customer Service.
	The bend in the duct is too close to the fan discharge.	Be sure you do not have any sharp bends in the duct within 18 in. of the fan discharge.
	The fan discharge is reduced to fit a smaller duct.	Use the recommended size ducting to reduce fan noise.
	The fan body is not attached securely.	Be sure the fan is securely attached to the ceiling joists.
The fan is not clearing humidity from the room.	There is insufficient airflow intake in the room.	Be sure a door or window is slightly ajar or open to allow airflow. The fan is not able to draw air out of the room without enough airflow.
	There is insufficient CFM. <b>NOTE:</b> Using a tissue is not the correct method for determining if the fan is operating properly. If the fan clears steam from the room within approximately 15 minutes of completing your shower, then the fan is operating properly.	Be sure the CFM rating of the fan matches the square footage of your room.
Bluetooth device will not pair with the fan.	Another device is already paired.	Make sure BLUETOOTH® signal is turned off on other devices.
Switch will not power up.	There is a wiring issue at the switch, or the power is not turned on at the fuse box or circuit breaker.	Check the wiring diagram on Page 5 and confirm wiring is correct. Verify the power is turned on.
Switch has power, but the fan does not.	The grille is not receiving a signal from the switch.	Turn off power. Disconnect the grille for 5 seconds, then reconnect the grille and test. Repeat as necessary.
	Neutral wire connection from the switch to the fan is not engaging.	Run a dedicated neutral wire from the switch to the fan. Consult an electrician if necessary.

## FAN – LIMITED 3-YEAR WARRANTY

If the fan fails due to a defect in materials or workmanship at any time during the first three (3) years of ownership, the manufacturer will replace it free of charge, postage-paid at their option. This warranty does not cover products that have been abused, altered, damaged, misused, cut or worn. This warranty does not cover use in commercial applications. Use only manufacturer-supplied genuine warranty repair replacement parts to repair this fan. Use of non-genuine repair parts will void your warranty. The manufacturer DISCLAIMS all other implied or express warranties including all warranties of merchantability and/or fitness for a particular purpose. As some states do not allow exclusions or limitations on an implied warranty, the above exclusions and limitations may not apply. This warranty gives you specific legal rights, and you may have other rights that vary from state to state.

This warranty is limited to the replacement of defective parts only. Labor charges and/or damage incurred during installation, repair, replacement as well as incidental and consequential damages connected with the above are excluded. Any damage to this product as a result of neglect, misuse, accident, improper installation or use other than the purpose SHALL VOID THIS WARRANTY.

Shipping costs for return product as part of a claim on the warranty must be paid for by the customer.

Inquiries regarding warranty claims can be directed to 1-877-319-3757, 7:30 a.m. - 4:30 p.m., CST, Monday - Friday.

## BLUETOOTH® SPEAKER – LIMITED 1-YEAR WARRANTY

If the BLUETOOTH® speaker fails due to a defect in materials or workmanship at any time during the first year of ownership, the manufacturer will replace it free of charge, postage-paid at their option. This warranty does not cover products that have been abused, altered, damaged, misused, cut or worn. This warranty does not cover use in commercial applications. Use only manufacturer-supplied genuine warranty repair replacement parts to repair this fan. Use of non-genuine repair parts will void your warranty. The manufacturer DISCLAIMS all other implied or express warranties including all warranties of merchantability and/or fitness for a particular purpose. As some states do not allow exclusions or limitations on an implied warranty, the above exclusions and limitations may not apply. This warranty gives you specific legal rights, and you may have other rights that vary from state to state.

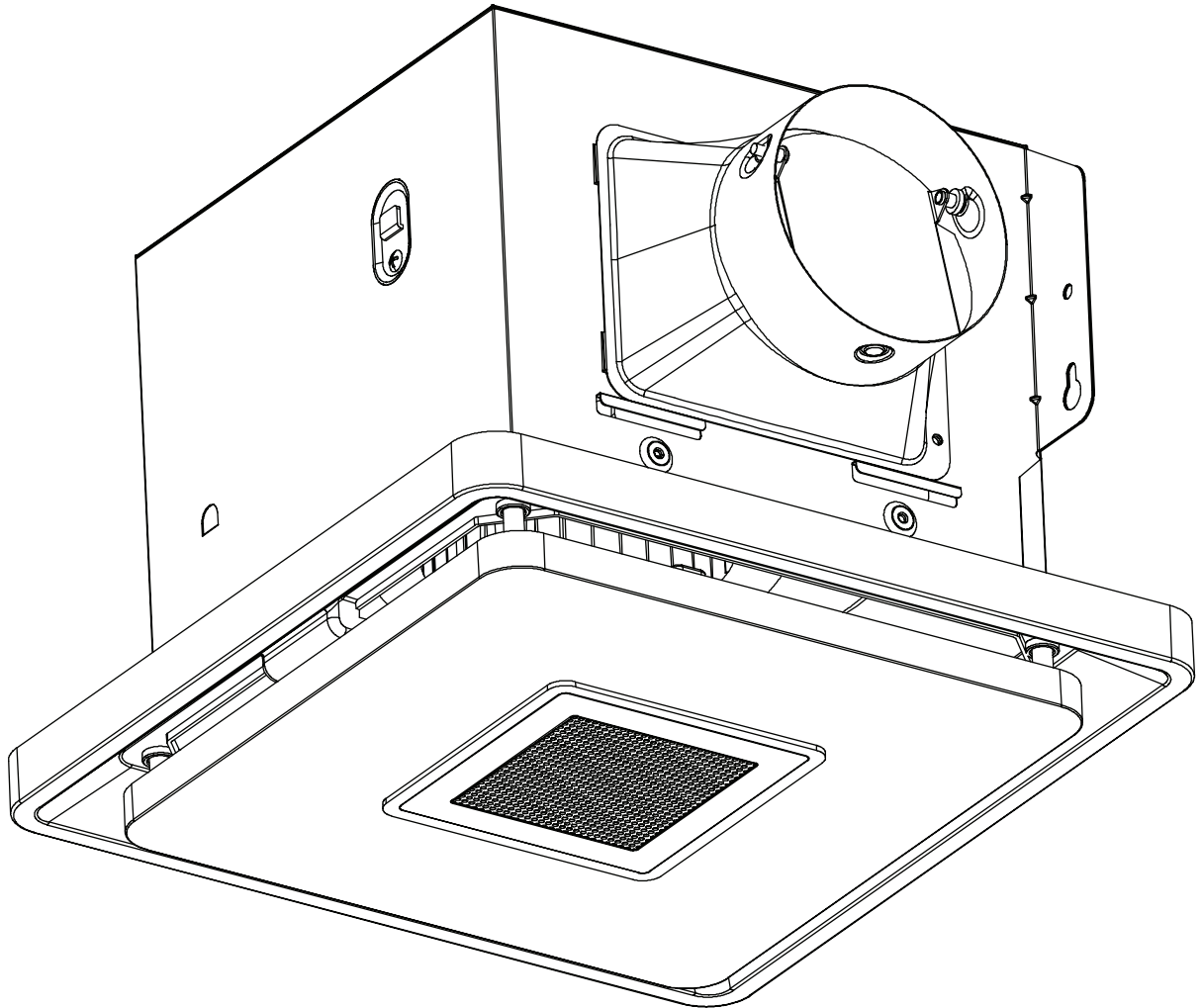
This warranty is limited to the replacement of defective parts only. Labor charges and/or damage incurred during installation, repair, replacement as well as incidental and consequential damages connected with the above are excluded. Any damage to this product as a result of neglect, misuse, accident, improper installation or use other than the purpose SHALL VOID THIS WARRANTY.

Shipping costs for return product as part of a claim on the warranty must be paid for by the customer.

Inquiries regarding warranty claims can be directed to 1-877-319-3757, 7:30 a.m. - 4:30 p.m., CST, Monday - Friday.

# VENTILADOR DE BAÑO CON ALTAVOZ BLUETOOTH®, LUZ LED Y LUZ NOCTURNA

MODELO 7130-13-BT



**¿Tiene preguntas, problemas, o faltan piezas?** Antes de regresar a la tienda, llame al Servicio al Cliente, 1-877-319-3757, de lunes a viernes de 7:30 a.m. a 4:30 p.m., hora estándar central.

**CONSERVE ESTE MANUAL PARA USO FUTURO**

Número de patente de EE.UU. 9,398,357

La palabra y logotipos de Bluetooth® son propiedad de Bluetooth SIG, Inc., y cualquier uso de estas marcas por parte de HomeWerks Worldwide se efectúa bajo licencia. Otras marcas y nombres comerciales son los de sus respectivos dueños.

## TABLA DE CONTENIDO

Especificaciones del producto .....	13
Cumplimiento UL .....	13
Cumplimiento de la normas FCC .....	13
Contenido del paquete .....	14
Materiales incluidos .....	14
Información sobre seguridad .....	15
Preparación .....	15
Instrucciones de instalación.....	17
Operación del Interruptor de pared LED .....	20
Conexión un dispositivo BLUETOOTH® al altavoz.....	20
Cuidado y limpieza .....	20
Solución de problemas .....	22
Garantía.....	22

## ESPECIFICACIONES DEL PRODUCTO

Flujo de aire: 110 CFM	Consumo eléctrico del LED: 15 W
120 V, 60 Hz	Brillo del LED: 800 lúmenes
Diámetro del conducto: 4 pulg	Color de luz LED (CCT): 4000K Blanco frío
Volumen sonoro: 1,5 sonos	Color de la luz nocturna: Azul y 2200K Blanco cálido
Consumo eléctrico: 30 W	Peso: 4,3 kg
Velocidad del extractor: 1 050 RPM	

## CUMPLIMIENTO UL

El OD del ensamblaje de rueda del motor del ventilador se combina en la carcasa D del motor del ventilador, que se instala en la abertura del techo.

Estos componentes cumplen con el archivo UL 507: Sección 10.6, Sección 62.2.3, Sección 62.4.1 y Sección 64A.9.

## CUMPLIMIENTO DE LA NORMAS FCC

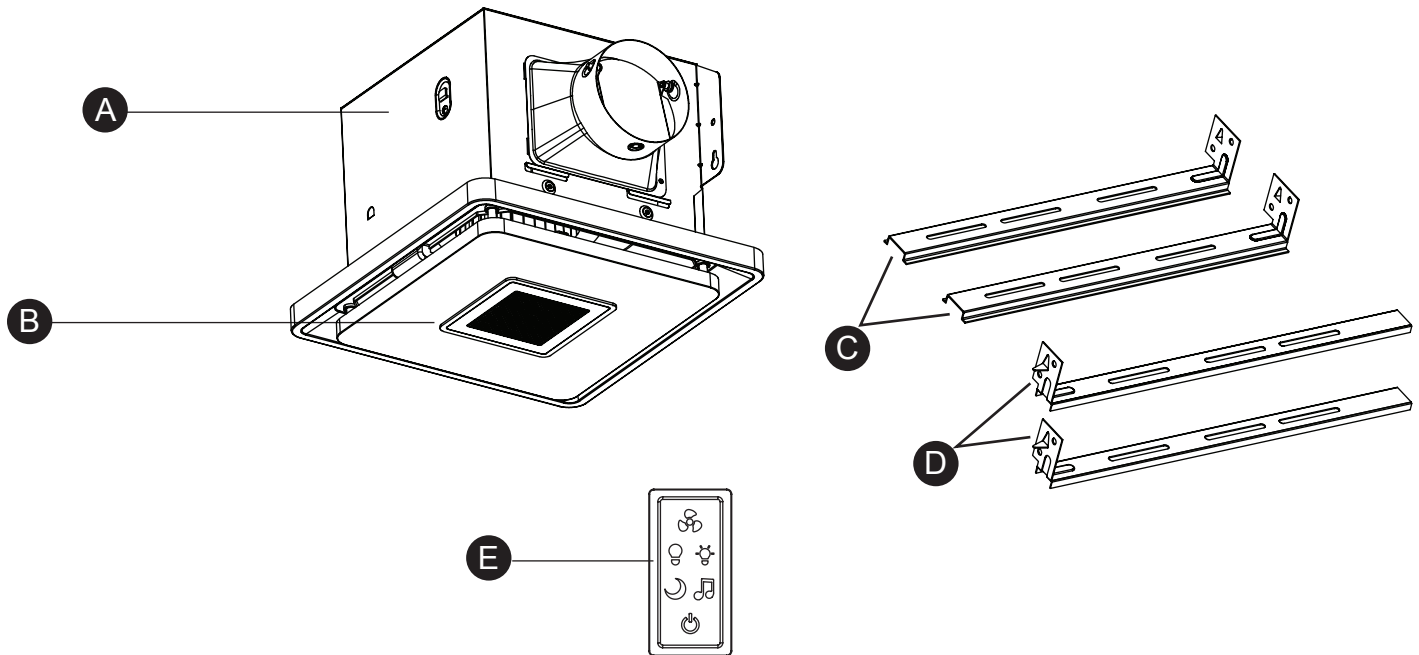
**AVISO:** Este equipo ha sido sometido a prueba y se halló que cumple con los límites establecidos para la clase B de dispositivos digitales, conforme a la Parte 15 de las Normas de FCC. Estos límites se establecen para brindar protección razonable contra interferencia dañina en una instalación residencial.

Este equipo genera, utiliza y puede irradiar energía de frecuencias de radio y, si no se instala conforme a las instrucciones, puede provocar interferencia dañina a las comunicaciones de radio. A pesar de esto, no existe garantía de que la interferencia no se produzca en una instalación en particular.

Si este equipo produce interferencia dañina a la recepción de radio o televisión, lo que puede determinarse encendiendo y apagando el equipo, se insta al usuario a intentar corregir la interferencia mediante uno de los siguientes métodos:

- Cambie la orientación o ubicación de la antena receptora.
  - Aumente la separación entre el equipo y el receptor.
  - Conecte el equipo en un enchufe que esté en un circuito diferente al cual está conectado el receptor.
  - Consulte con el representante o con un técnico perimentado en radio y recepción para solicitar asistencia.
- Los cambios o modificaciones que on estén expresamente aprobados por la parte responsable del cumplimiento anulan la autoridad del usuario de operar el equipo.

## CONTENIDO DEL PAQUETE

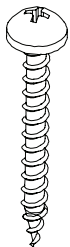


PIEZA	DESCRIPCIÓN	CANTIDAD
A	Carcasa del ventilador	1
B	Rejilla con altavoz BLUETOOTH® y luz LED	1
C	Soporte de suspensión	2

PIEZA	DESCRIPCIÓN	CANTIDAD
D	Soporte de suspensión	2
E	Interruptor de pared con panel táctil LED	1

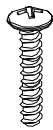
## MATERIALES INCLUIDOS (no se ilustran en tamaño real)

AA



Tornillo para  
madera  
M4 x 30mm  
Can. 8

BB



Tornillo  
metales  
M4 x 12mm  
Can. 4

## INFORMACIÓN SOBRE SEGURIDAD

Por favor, lea y comprenda este manual en su totalidad antes de intentar de ensamblar, operar o instalar el producto.

- Siempre desconecte la fuente de alimentación antes de darle servicio al ventilador, motor o caja eléctrica.
- Siga todos los códigos locales de construcción, de seguridad y eléctricos así como el NEC (Código Eléctrico Nacional) y OSHA (Ley de Salud y Seguridad Ocupacional).
- El suministro del servicio eléctrico debe ser de 120 voltios, 60 hertz.
- Este producto debe estar correctamente conectado al conductor de conexión a tierra del circuito de alimentación.
- No doble ni retuerza los cables de energía.
- No use este ventilador con ningún dispositivo de control de estado sólido, como un control remoto, interruptor de atenuación o ciertos temporizadores. Los temporizadores mecánicos no son dispositivos de estado sólido.
- No instale en un techo con aislamiento mayor de R40.
- Conductos se deben instalar en una línea recta con curvas mínimas.
- El tamaño del conducto debe ser de mismo tamaño que la descarga y no debe ser reducido. Reducir el tamaño del conducto puede aumentar el ruido del ventilador.
- Este producto no está diseñado para conectarse a conductos metálicos rígidos. Solo para uso con conductos flexibles.



### PRECAUCIÓN

- **Para uso de ventilación general solamente. No lo use para desalojar materiales y vapores peligrosos o explosivos.**
- **No debe usarse en cocina.**
- **Para reducir el riesgo de lesiones a las personas, instale el ventilador al menos a 7 pies (2.1m) sobre el piso.**
- **Para reducir el riesgo de incendio y extraer el aire de manera adecuada, asegúrese de ventilar el aire hacia el exterior. No extraiga el aire en espacios dentro de paredes o techos, o en áticos, entrepisos o garajes.**



### ADVERTENCIA: para reducir el riesgo de incendio, choque eléctrico o lesiones a las personas, respete lo siguiente:

1. Use esta unidad en la manera prevista por el fabricante. Si tiene alguna pregunta, por favor llame al Servicio al Cliente.
2. Antes de dar servicio o limpiar esta unidad apague la fuente de alimentación en el panel y bloquéelo para evitar que se encienda la alimentación accidentalmente. Si no puede bloquear el panel, marque claramente el panel con una etiqueta de advertencia para evitar que se encienda la alimentación.
3. El trabajo de instalación y el cableado eléctrico debe ser hecho por una persona calificada, de acuerdo con todos los códigos y normas aplicables, incluyendo la construcción con clasificación ignífuga.
4. Se necesita suficiente aire para una combustión apropiada y el escape de los gases a través del conducto (chimenea) del equipo que quema combustible para evitar contrapiraje. Siga las guías del fabricante de equipo de calefacción y las normas de seguridad como las publicadas de la Asociación Nacional de Protección contra Incendios (NFPA), y de la Sociedad Estadounidense de Ingenieros en Calefacción, Refrigeración y Aire Acondicionado (ASHRAE), y las autoridades de código local.
5. Cuando corte o perforo en la pared o techo, no dañe el cableado eléctrico u otros servicios ocultos.
6. Para reducir el riesgo de incendio y extraer el aire de manera adecuada, asegúrese de ventilar el aire hacia el exterior. No extraiga el aire en espacios dentro de paredes o techos, o en áticos, entrepisos o garajes.
7. Si esta unidad se va a instalar sobre una bañera o ducha, se debe marcar según sea apropiado para la aplicación y conectarse a un circuito de derivación protegido GFCI (Interruptor de circuito de falla a tierra).
8. Este ventilador-extractor está diseñado para instalarse por lo menos a 1 m del cabezal de la ducha cuando se instala sobre una bañera o ducha. La instalación dentro de una cabina de ducha no se recomienda a menos que se pueda alcanzar la distancia de 1 m.

**PRECAUCIÓN:** La instalación de esta unidad requiere que la energía esté apagada hasta que se complete la instalación. Si encuentra problemas con la unidad que no se enciende, revise la sección de solución de problemas del manual de instrucciones.

Si necesita asistencia adicional, llame al 1-877-319-3757, de 7:30 a.m. a 4:30 p.m., HCE, de lunes a viernes. **NO REGRESE A LA TIENDA.**

## PREPARACIÓN

Antes de comenzar a ensamblar este producto, asegúrese de que todas las piezas estén presentes. Compare las piezas con la lista de contenido del paquete y herraje incluido. Si hace falta alguna pieza o se encuentra dañada, no intente ensamblar el producto. Pongase en contacto con el Servicio al Cliente para piezas de repuesto 1-877-319-3757, de 7:30 a. m. a 4:30 p. m., hora central estándar, de lunes a viernes.

## PREPARACIÓN (continuada)

Herramientas necesarias para armar (no incluidas): Martillo, destornillador de cabeza plana, conectores de cables, clavos, cinta adhesiva, destornillador de estrella, y cuchillo multiuso o sierra para paneles de yeso.

Herramientas útiles (no incluidas): Taladro eléctrico, brocas de taladro.

**ADVERTENCIA: RIESGO DE DESCARGA ELECTRICA. Asegurese de cortar el suministro electrico en los cables con los que trabajara. Extraiga los fusibles o apague el cortacircuitos antes de quitar el ventilador de baño existente o instalar uno nuevo.**

**Antes de quitar su ventilador actual, verifique que su caja de interruptores en la pared tenga los cables de suministro necesarios para esta instalación. Estos cables de alimentación (negro) y neutro (blanco) como se muestra en el diagrama de cableado a continuación. Si no ve estos dos cables, consulte a un electricista autorizado.**

Compruebe el área sobre la ubicación de instalación para asegurarse de que el cableado puede correr a la ubicación prevista y que los conductos se puede correr y el área es suficiente para una ventilación adecuada.

Inspeccione los conductos y el cableado antes de proceder con la instalación.

Antes de la instalación, proporcione acceso para la inspección y el mantenimiento en un lugar que no interfiera con el trabajo de instalación.

Es posible que necesite la ayuda de una segunda persona para instalar este ventilador; una en el lado del ático y otra en el lado de la habitación.

La instalación puede variar dependiendo de cómo se instaló el ventilador anterior. Los suministros necesarios para la instalación de su ventilador de baño no están todos incluidos; sin embargo, la mayoría están disponibles en su tienda de artículos del hogar o ferretería local.

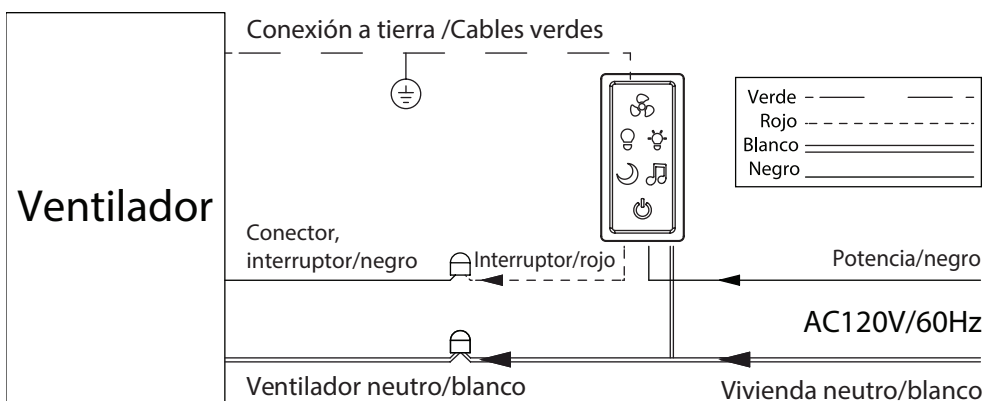
## DIMENSIÓN

Aperturo de techo (La)	Aperturo de techo (An)	Aperturo de techo (Al)
23,5 cm	23,5 cm	21 cm

Dimensiones de caja (La)	Dimensiones de caja (An)	Dimensiones de caja (Al)
22,9 cm	22,9 cm	19,53 cm

## CABLEADO

Todo el cableado debe estar conectada a la funcionalidad completa. La rejilla debe estar conectada a la carcasa del ventilador antes de suministrar energía al ventilador para que el interruptor de pared con panel táctil LED se empareje correctamente con el ventilador. Encender la fuente de alimentación antes de conectar la rejilla a la carcasa del ventilador interferirá con el proceso de emparejamiento. No use una placa de pared de metal con el interruptor.



### ATENCIÓN:

El interruptor incluido con este ventilador requiere una conexión de cable neutro dedicado. Si no hay una cable neutro, uno debe ser ejecutado por un electricista calificado.

NOTA: Este interruptor está diseñado para funcionar solo de manera independiente con este ventilador de baño. Las conexiones a otros accesorios eléctricos están prohibidas y podrían causar problemas eléctricos.

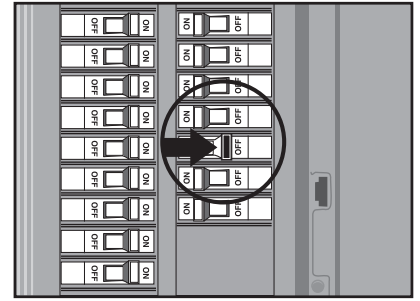
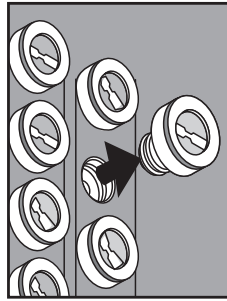
Si necesita ayuda, por favor llame al 1-877-319-3757 antes de intentar instalar el interruptor.

# INSTRUCCIONES DE INSTALACIÓN

## PREVIO A LA INSTALACIÓN

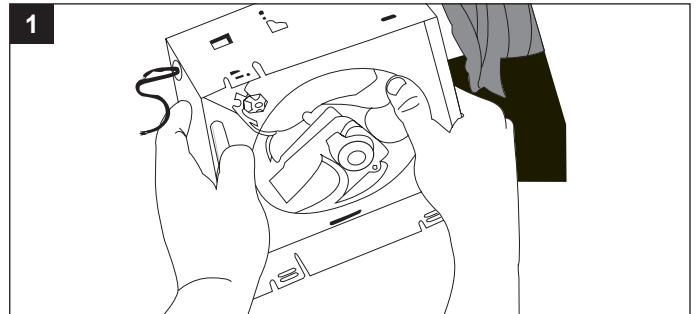
### ADVERTENCIA: ¡RIESGO DE DESCARGA ELECTRICA!

Asegurese de cortar el suministro electrico en los cables con los que trabajara. Extraiga los fusibles o apague el cortacircuitos antes de quitar el ventilador de baño existente o instalar uno nuevo.

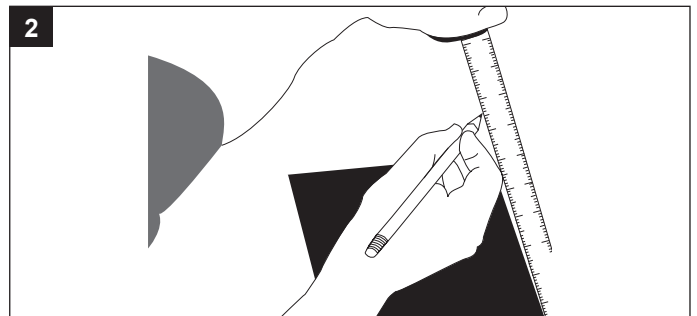


1. Retire el ventilador existente.

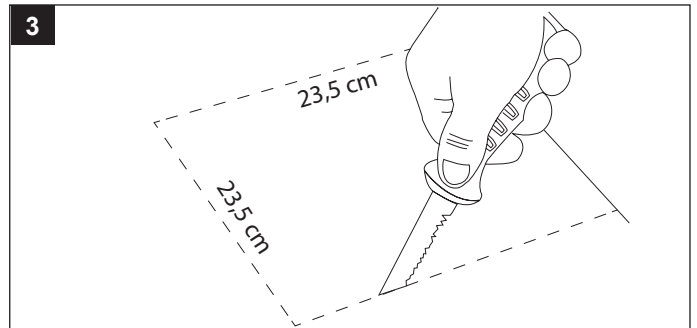
**Si no está reemplazando un ventilador existente, vaya al paso 4 o 7.**



2. Mida la abertura para asegurarse de que sea lo suficientemente grande para acomodar las dimensiones de 22,9 cm x 22,9 cm de la caja del nuevo ventilador (A).



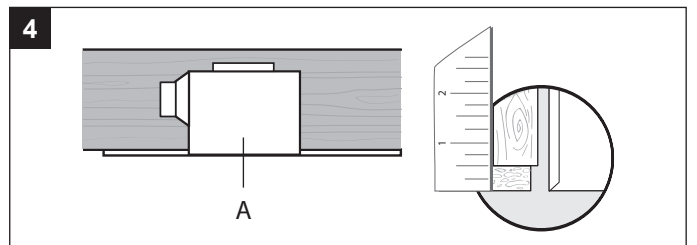
3. Si este ventilador no reemplaza a uno viejo, asegúrese de cortar una abertura de 23,5 cm x 23,5 cm para la carcasa del ventilador (A).



## Instalación con espacio de menos de 54 cm entre las vigas del techo

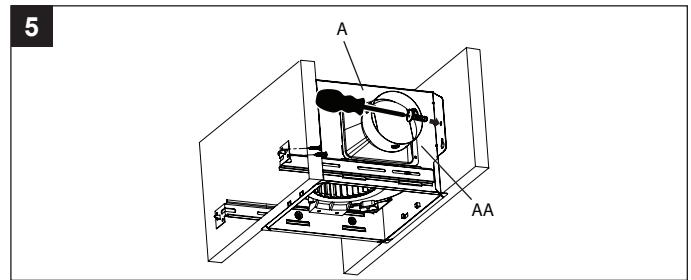
4. Coloque la carcasa del ventilador (A) al lado de una viga de techo. La carcasa del ventilador (A) debe estar nivelada y perpendicular a la viga. Permita el espesor de la placa para techo usado en su aplicación.

Coloque la carcasa del ventilador (A) de modo que el borde inferior de la carcasa del ventilador (A) quede al ras con la placa del techo. No monte al ras la carcasa del ventilador (A) en la viga.

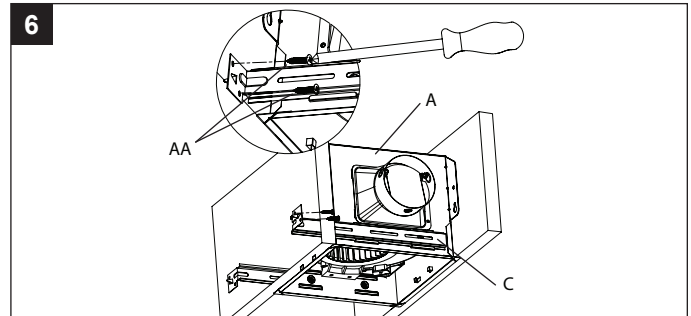


## INSTRUCCIONES DE INSTALACIÓN (continuadas)

5. Inserte el soporte de suspensión (C) en las pestañas a cada lado de la carcasa del ventilador (A) y luego fije la carcasa del ventilador (A) en la viga insertando tornillos para madera (AA) en los orificios indicados en las pestañas metálicas de la carcasa del ventilador (A). Apriete los tornillos para madera (AA) hasta que la carcasa del ventilador (A) esté firmemente asegurada a la viga.

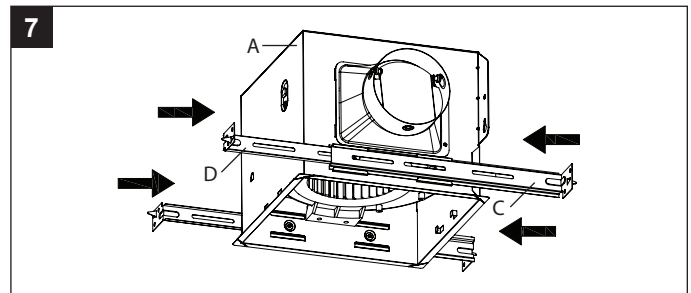


6. Fije el extremo de cada uno de los soportes de suspensión (C) a la viga del techo, utilizando tornillos para madera (AA).



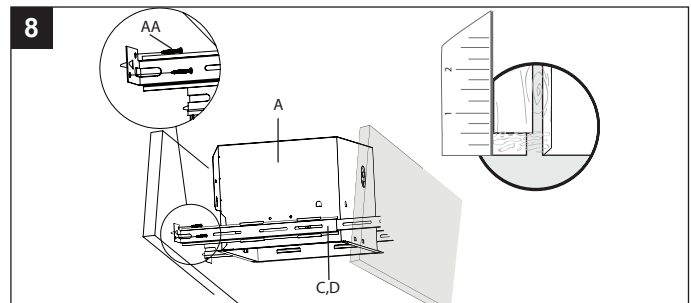
### 7. Instalación con espacio de 54 a 60 cm entre las vigas del techo

Inserte los soportes de suspensión (C) en las pestañas en la carcasa del ventilador (A) y luego deslice los soportes de suspensión (D) en los soportes de suspensión (C).

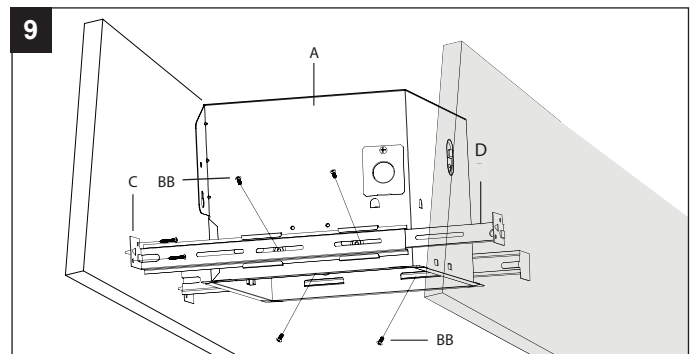


8. Coloque la carcasa del ventilador (A) de modo que el borde inferior de la carcasa del ventilador (A) quede al ras con la placa del techo. No instale al ras la carcasa del ventilador (A) en la viga.

Fije el extremo de cada uno de los soportes de suspensión (C, D) a las vigas del techo con tornillos para madera (AA).



9. Fije los soportes de suspensión (C, D) a la carcasa del ventilador (A), utilizando tornillos metálicos (BB).



## INSTRUCCIONES DE INSTALACIÓN (continuadas)

10. Retire la cubierta de la caja eléctrica de la carcasa del ventilador (A). Tire de los cables de la casa a través del orificio en la caja eléctrica. Usando los conectores rápidos, conecte el cableado de la casa al interruptor de pared LED (E) y la carcasa del ventilador (A). 14 AWG es el conductor más pequeño que debe usarse para el cableado del circuito derivado. Consulte el diagrama de cableado en la página 16 para asegurarse de que se están realizando las conexiones de cables correctas. Empuje con cuidado las conexiones de cables en la caja eléctrica y vuelva a colocar la cubierta de la caja eléctrica.

**NOTA:** No utilice una placa de pared de metal con el interruptor, ya que puede causar interferencias en el funcionamiento del ventilador.

**PRECAUCIÓN:** el interruptor incluido con este ventilador requiere una conexión de cable neutro. Si no hay un cable neutro, uno debe ser ejecutado por un electricista calificado. Si necesita ayuda, por favor llame al 1-877-319-3757 antes de intentar instalar el interruptor.

**PRECAUCIÓN:** este interruptor está diseñado para funcionar solo con este ventilador de baño. Las conexiones a otros accesorios eléctricos están prohibidas y podrían causar problemas eléctricos.

**IMPORTANTE:** no encienda la fuente de alimentación del ventilador hasta el paso 13 o el interruptor de pared LED no se emparejará con el ventilador ni funcionará correctamente.

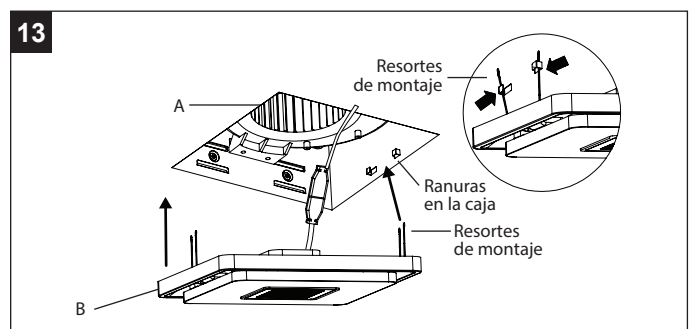
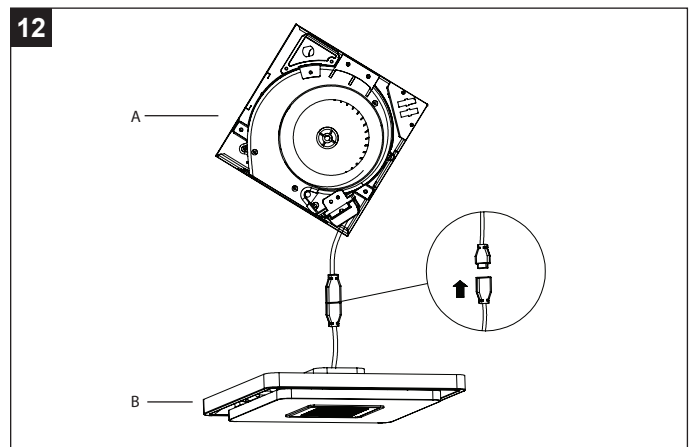
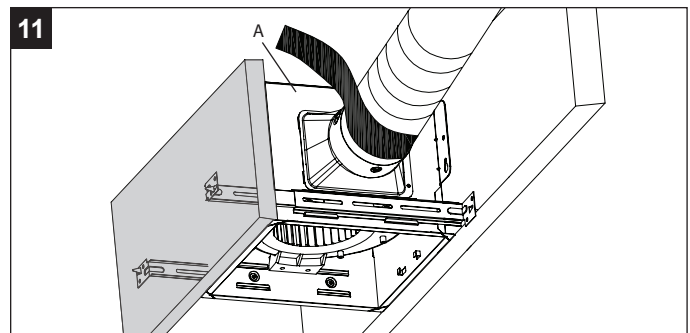
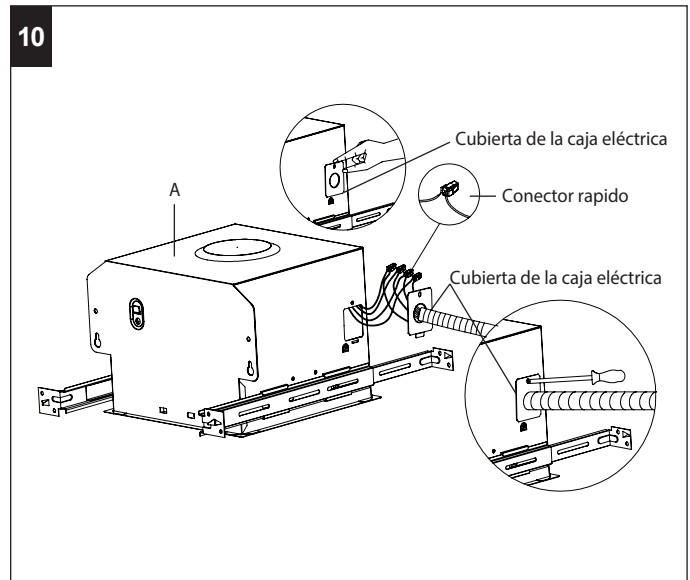
11. Conecte un conducto circular de 4 pulg a la carcasa del ventilador (A), asegurándolo con cinta adhesiva o una abrazadera. Vente el conducto al exterior.

12. Conecte los conectores para el altavoz BLUETOOTH® de la carcasa del ventilador (A) a la rejilla (B). La rejilla (B) debe estar conectada ANTES de encender el ventilador.

**IMPORTANTE:** la rejilla (B) debe estar conectada ANTES de encender la fuente de alimentación del ventilador.

13. Sujete la rejilla (B) presionando los resortes de montaje e insérteles en las ranuras rectangulares estrechas en la carcasa del ventilador (A).

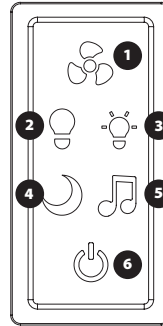
Restablezca la fuente de alimentación al interruptor de pared y al ventilador encendiendo el disyuntor o volviendo a colocar el fusible. Encienda el ventilador y pruebe la unidad.



## OPERACIÓN DEL INTERRUPTOR DE PARED LED

---

1. Ventilador: Presione para activar / desactivar.
  2. Luz LED: Presione para activar / desactivar.
  3. Atenuador: Presione varias veces para ajustar el brillo.
  4. Luz nocturna: Presione para activar / desactivar.
  5. Bluetooth®: Presione para activar / desactivar.  
Ajuste el volumen en su dispositivo BLUETOOTH.
  6. Interruptor principal: Presione para activar / desactivar.
- NOTA: El ícono se ilumina cuando la función está activada.



## CONEXIÓN UN DISPOSITIVO BLUETOOTH® AL ALTAVOZ

---

1. Para reproducir sus archivos de música personales, necesita un dispositivo inalámbrico BLUETOOTH®.
2. Configure su dispositivo a un volumen de rango medio antes de conectarlo al altavoz.
3. Sigue las instrucciones que vienen con su dispositivo BLUETOOTH® para que se pueda detectar o para buscar otros accesorios BLUETOOTH®. Esto puede requerir ingresar una clave de acceso o NIP (Número de identificación personal).
4. En la pantalla de inicio, elija Configuración > BLUETOOTH®, para buscar el altavoz.  
Nota: Si bien el dispositivo puede mantener múltiples registros de emparejamiento, sólo puede conectarse a un accesorio a la vez. Esto evita que su dispositivo envíe sus datos al accesorio BLUETOOTH® incorrecto.
5. Elija el altavoz Homewerks™ y luego ingrese una contraseña o NIP (0000) si se le solicita.
6. Cuando se complete el emparejamiento, puede usar el altavoz BLUETOOTH® para reproducir audio con su dispositivo.
7. El ajuste de volumen óptimo para el altavoz BLUETOOTH® es del 70% o inferior. Los ajustes superiores al 70% pueden causar distorsión del sonido.

## CUIDADO Y LIMPIEZA

---

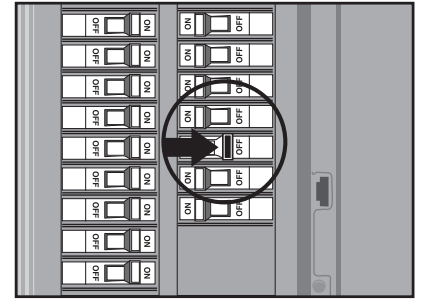
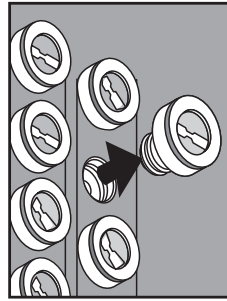
**PRECAUCIÓN:** Antes de limpiar el aparato, desconecte el suministro eléctrico hacia este apagando el cortacircuitos o extrayendo el fusible de la caja de fusibles.

- Consulte información sobre seguridad antes de proceder. Se debe hacer mantenimiento de rutina al menos una vez al año.
- Nunca use solventes, diluyentes o productos químicos fuertes para limpiar el ventilador.
- No permita que entre agua al motor.
- No sumerja las piezas de metal en agua.
- No sumerja las piezas de plástico en agua a más de 140 ° F.
- No sumerja el altavoz BLUETOOTH® en agua.

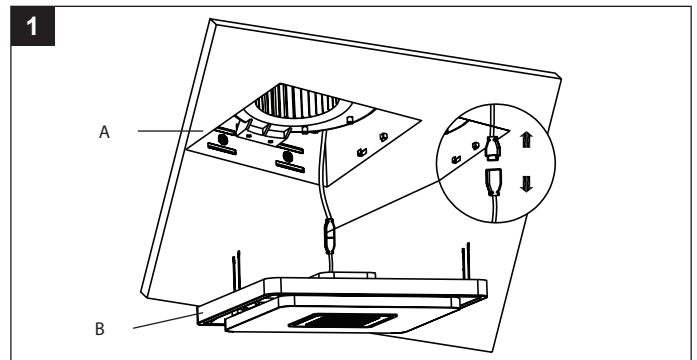
## CUIDADO Y LIMPIEZA (continuadas)

### ADVERTENCIA: ¡RIESGO DE DESCARGA ELECTRICA!

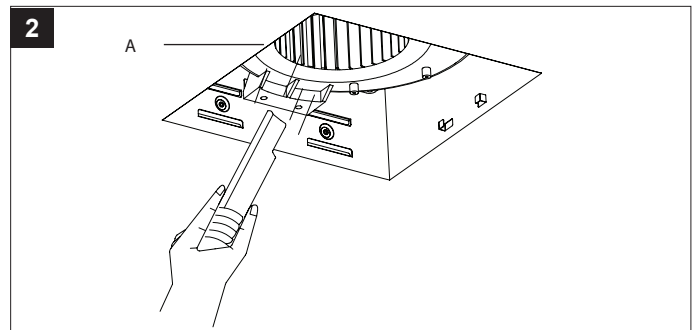
Asegúrese de que la energía esté apagada. Quite el fusible o apague el disyuntor antes de limpiarlo.



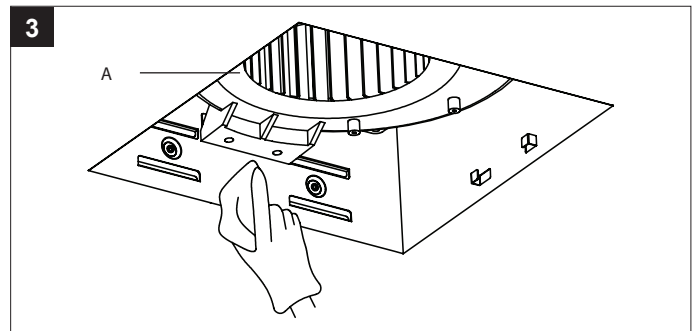
1. Retire la rejilla (B) apretando los resortes de montaje y tirando de la rejilla (B) hacia abajo desde la carcasa del ventilador (A). Desconecte los conectores para quitar la rejilla (B) de la carcasa del ventilador (A). Limpie la rejilla (B) con un paño húmedo. .



2. Use una aspiradora para eliminar el polvo y la suciedad de la carcasa del ventilador (A).

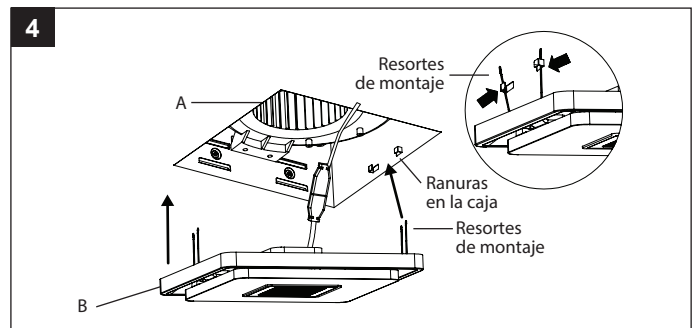


3. Limpie la carcasa del ventilador (A) con un paño húmedo y seque con un paño.



4. Una los conectores para el altavoz BLUETOOTH® y la luz LED de la carcasa del ventilador (A) a la rejilla (B). Fije la rejilla (B) apretando los resortes de montaje e insertándolos en las ranuras rectangulares estrechas en la carcasa del ventilador (A).

Encienda la fuente de energía. Prueba la unidad.



## SOLUCIÓN DE PROBLEMAS

PROBLEMA	CAUSA POSIBLE	SOLUCIÓN
El ventilador parece hacer mas ruido del que debería.	Los pies cubicos por minuto (CFM) son demasiado grandes.	Asegúrese de que la calificación CFM del ventilador coincide con el tamaño de su habitación.
	El regulador de tiro esta dañado o no esta funcionando adecuadamente.	Compruebe amortiguador para asegurarse de que se está abriendo y cerrando correctamente. Si el amortiguador se ha dañado, por favor llame a Servicio al Cliente.
	La curva en el conducto esta demasiado cerca de la descarga del ventilador.	Asegúrese de que usted no tiene ningún doblez en cerca del conducto de 18 pulgadas a la descarga del ventilador.
	Descarga del ventilador reducida para que quepa más pequeño conducto	Use el tamaño recomendado conductos para reducir el ruido del ventilador.
	La caja del ventilador no esta instalada de forma segura.	Asegúrese de que el ventilador está bien conectado a las vigas del techo.
El ventilador no está despejando la habitación.	No hay suficiente flujo de aire de admision en la habitacion.	Asegúrese de una puerta o ventana está entreabierta o abierta para permitir el flujo de aire. El ventilador no es capaz de extraer el aire de la habitación sin flujo de aire suficiente para aprovechar.
	Los CFM no son suficientes. NOTA: El uso de un pañuelo no es el metodo correcto para determinar si el ventilador esta funcionando adecuadamente. Si el ventilador despeja vapor de la habitacion en aproximadamente 15 minutos despues de terminar con su ducha, entonces el ventilador esta funcionando adecuadamente.	Asegurese de que la capacidad nominal de CFM en el ventilador coincida con la superficie de su habitacion.
El dispositivo Bluetooth no se empareja con el ventilador.	Otro dispositivo ya está emparejado.	Asegúrese de que la señal BLUETOOTH® esté desactivada en otros dispositivos.
El interruptor no se enciende.	Problema de cableado en el interruptor o la alimentación no está encendida en la caja de fusibles.	Verifique y confirme que el cableado sea correcto y que la alimentación esté encendida.
El interruptor se enciende, pero el ventilador no.	La rejilla no recibe señal del interruptor.	Apague la alimentación del interruptor, desconecte la rejilla durante 5 segundos, vuelva a conectar la rejilla y pruebe. Repita según sea necesario.
	La conexión del cable neutro del interruptor al ventilador no se activa.	Tienda un cable neutral dedicado desde el interruptor al ventilador. Si necesario, consulte a un electricista.

## VENTILADOR – GARANTÍA LIMITADA DE 3 AÑOS

Si el ventilador falla debido a un defecto en el material o la mano de obra en cualquier momento durante los primeros TRES años de poseerlo, el fabricante lo reemplazará sin cargos y con el franqueo pagado a su discreción. Esta garantía no cubre productos que hayan sido objeto de abuso, alteración, daño, mal uso, corte o desgaste. Esta garantía no cubre el uso en aplicaciones comerciales. Utilice únicamente piezas de repuesto de reparación originales provistas por el fabricante para reparar este ventilador. El uso de piezas de repuesto que no sean originales anulará su garantía. El fabricante RECHAZA todas las demás garantías implícitas o expresas, incluidas todas las garantías de comercialización y / o idoneidad para un propósito particular. Como algunos estados no permiten exclusiones o limitaciones en una garantía implícita, las exclusiones y limitaciones anteriores pueden no aplicarse. Esta garantía le otorga derechos legales específicos y es posible que tenga otros derechos que varían de un estado a otro.

Esta garantía se limita únicamente al reemplazo de piezas defectuosas. Se excluyen los cargos de mano de obra y / o daños incurridos durante la instalación, reparación, reemplazo, así como daños incidentales y consecuentes relacionados con lo anterior. Cualquier daño a este producto como resultado de negligencia, mal uso, accidente, instalación o uso incorrecto que no sea el propósito DEBERÍA ANULAR ESTA GARANTÍA.

Los costos de envío para el producto devuelto como parte de una reclamación de la garantía deben ser pagados por el cliente.

Las consultas sobre reclamaciones de garantía pueden dirigirse al 1-877-319-3757, de 7:30 a.m. a 4:30 p.m., CST, de lunes a viernes.

Si el altavoz BLUETOOTH® falla debido a un defecto en el material o la mano de obra en cualquier momento

## ALTAVOZ BLUETOOTH® - GARANTÍA LIMITADA DE 1 AÑO

Si el altavoz BLUETOOTH® falla debido a un defecto en el material o la mano de obra en cualquier momento durante los primeros un año de poseerlo, el fabricante lo reemplazará sin cargos y con el franqueo pagado a su discreción. Esta garantía no cubre productos que hayan sido objeto de abuso, alteración, daño, mal uso, corte o desgaste. Esta garantía no cubre el uso en aplicaciones comerciales. Utilice únicamente piezas de repuesto de reparación genuinas provistas por el fabricante para reparar este ventilador. El uso de piezas de repuesto no originales anulará la garantía. El fabricante RECHAZA todas las demás garantías implícitas o expresas, incluidas todas las garantías de comercialización y / o idoneidad para un propósito particular. Como algunos estados no permiten exclusiones o limitaciones en una garantía implícita, las exclusiones y limitaciones anteriores pueden no aplicarse. Esta garantía le otorga derechos legales específicos y es posible que tenga otros derechos que varían de un estado a otro.

Esta garantía se limita únicamente al reemplazo de piezas defectuosas. Se excluyen los cargos de mano de obra y / o daños incurridos durante la instalación, reparación, reemplazo, así como daños incidentales y consecuentes relacionados con lo anterior. Cualquier daño a este producto como resultado de negligencia, mal uso, accidente, instalación o uso incorrecto que no sea el propósito DEBERÍA ANULAR ESTA GARANTÍA.

Los costos de envío para el producto devuelto como parte de una reclamación de la garantía deben ser pagados por el cliente.

Las consultas sobre reclamaciones de garantía pueden dirigirse al 1-877-319-3757, de 7:30 a.m. a 4:30 p.m., CST, de lunes a viernes.