

HILLMAN™

The Hillman Group
 10590 Hamilton Ave.
 Cincinnati, OH 45231

Toll Free: 1.800.800.4900

Phone: 513-851-4900

Fax: 513-851-4997

Website: hillmangroup.com

Item # 47803, 5/16 x 7 Brown GutterTite™ Screw

Designed to replace old, loose, or popped gutter spikes.


No pre-drilling. 500 Hour Dacrotized Coat, Low Profile Head

Note: Each blister card includes ten screws, ten 5" plastic ferrules, and one #3 square drive bit.



[Specifications](#) | [Weather Maxx](#) | [General Rules](#)

Specifications

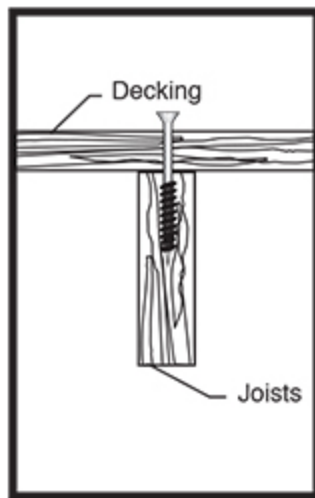
Size	5/16 x 7
Finish	Brown Dacrotized Coat
Packaging	 Carded
Driver Bit Size	#3 Square
Pieces per Card	10

Cards per Master	3
Box UPC	008236696097
For Use With	Treated Lumber

Weather Maxx

Better Ceramic Coated screws

- Provides superior rust and corrosion protection.
- Recommended for ACQ, CA, and CCA treated lumber. Also recommended for cedar and redwood construction.
- Provides multiple layers of zinc and polymer based coatings that ensure corrosion protection.
- Conforms with I.C.C.-E.S. reports that allow for use of triple coated zinc polymer fasteners in contact with treated wood.
- Exceeds 1000 hour salt spray test under ASTM B117.



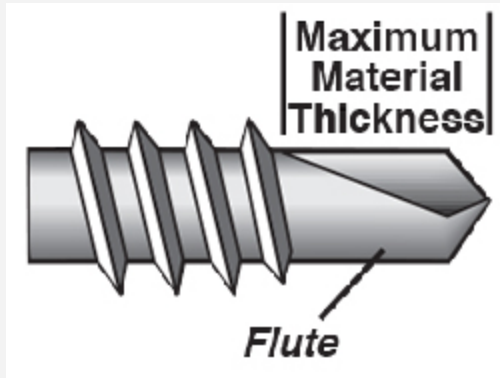
General Rules

General Rules for Selecting the Correct Drill Point for Your Application

Length of Drill Point or Flute = Maximum Material Thickness

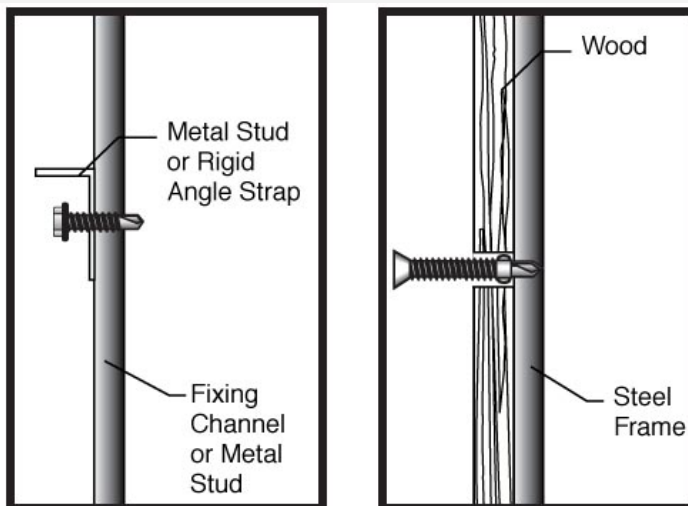
Drilling of entire metal thickness must be finished before threads engage into steel. If the threads engage before drilling operation is complete, the point will grind off due to excessive driving force.

Total thickness to be drilled includes multiple sheets, insulation and "empty" space between materials to be fastened.



Self Drilling Screws - designed for power driving wood or metal to metal without drilling a pilot hole. The Drill Point drills it's own hole, taps mating threads and fastens firmly in one operation. Drill Screws penetrate 18 gauge steel or greater. Drill screws are available in the following styles: Pan Head, Hex Washer Head, Flat Head, Wafer Head, Framing and Lath Screws.

All Flat Head Screws and a select size of Wafer Head Drill Screw feature wood piercing wings. The wings bore a hole in wood, preventing thread engagement during drilling, the wings break off when they hit steel.



Self Piercing Screws - designed for use in thin sections of metal, 20 gauge or less. The point "punctures" through the material, allowing the threads to protrude through the metal, reducing the possibility of "strip-out." Self Piercing Screws are available in the following forms: Hex Washer Head, Framing and Lath Screws, Self Piercing Sheeters (Polebarn) and Stovepipe/Gutter Assembly Screws.