

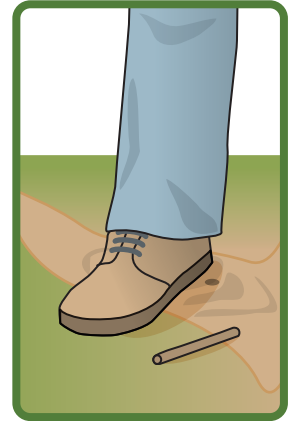


# STEEL CONSTRUCTION MOLE TRAP

Trapping is the most practical and successful method to eliminate moles from your yard.

## Locating the trap

The trap must be placed in an active tunnel. Identify active tunnels by poking a small hole in them or by stepping on them and determining the next day, which ones have been repaired.



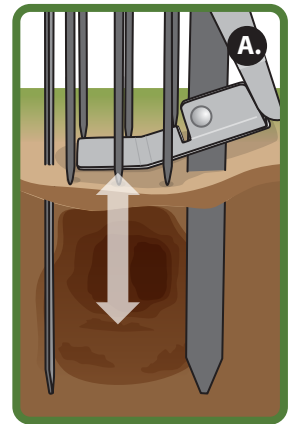
## Prepare ground for trap

Pack down the tunnel ridge firmly with your foot (firm heel of a boot). This is the most critical step of the entire process.

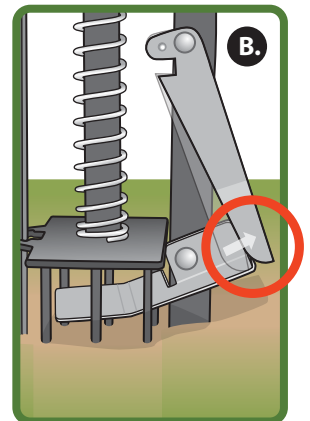
## Setting the trap

Push the trap firmly down into the soil until trigger pan hits firmly against the depressed tunnel ridge.

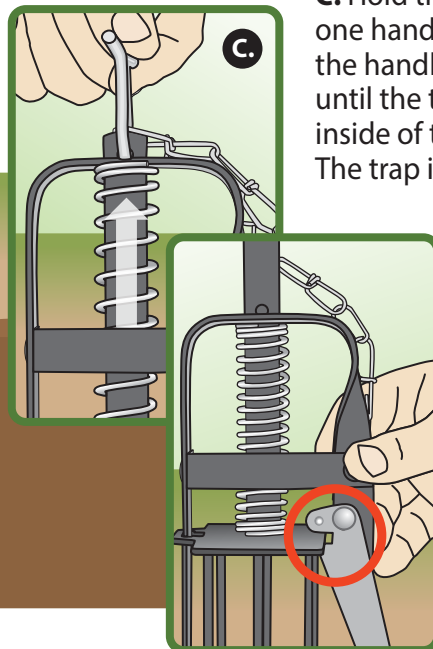
**A.** Raise and lower the trap so the spikes can easily penetrate the soil when the trap is sprung. With the tunnel ridge properly compressed, and the trigger pan properly placed, the spikes will penetrate the tunnel effectively when the trap is sprung.



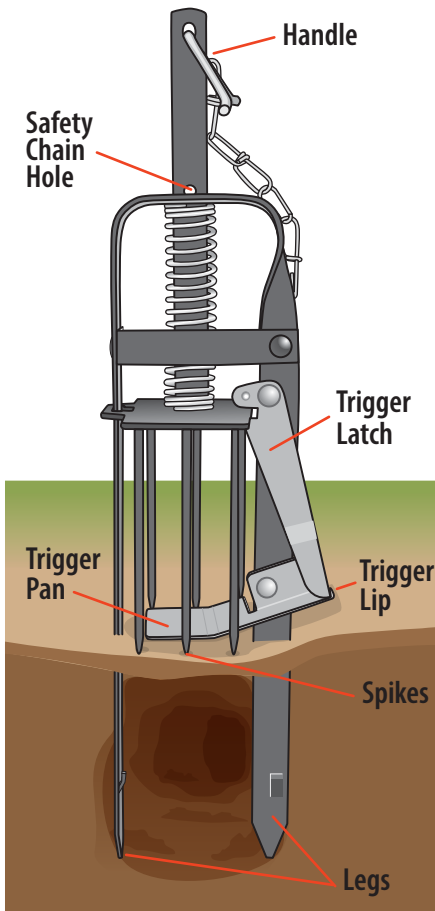
**B.** With the unset trap in place, set the trigger latch to the outside of the pan lip.



**C.** Hold the trap in place with one hand while pulling up on the handle with the other hand until the trigger latch moves inside of the trigger lip. The trap is set.



## Set Trap Diagram



WARNING: KEEP OUT OF REACH OF CHILDREN.  
Guardyard Products, LLC accepts no responsibility for injury resulting from misuse of this product.

[www.GoGetGonzo.com](http://www.GoGetGonzo.com)

Guardyard Products, LLC • PO Box 1253, West Covina, CA 91793 • Toll Free: 855-464-6696

**Got Moles & Gophers - Get Gonzo!**