



BATTERY BOX KIT

INSTRUCTIONS

TIPS FOR INSTALLATION:

Battery Box should be mounted next to (or below) control box so that power harness can connect into main system control board through the strain relief.

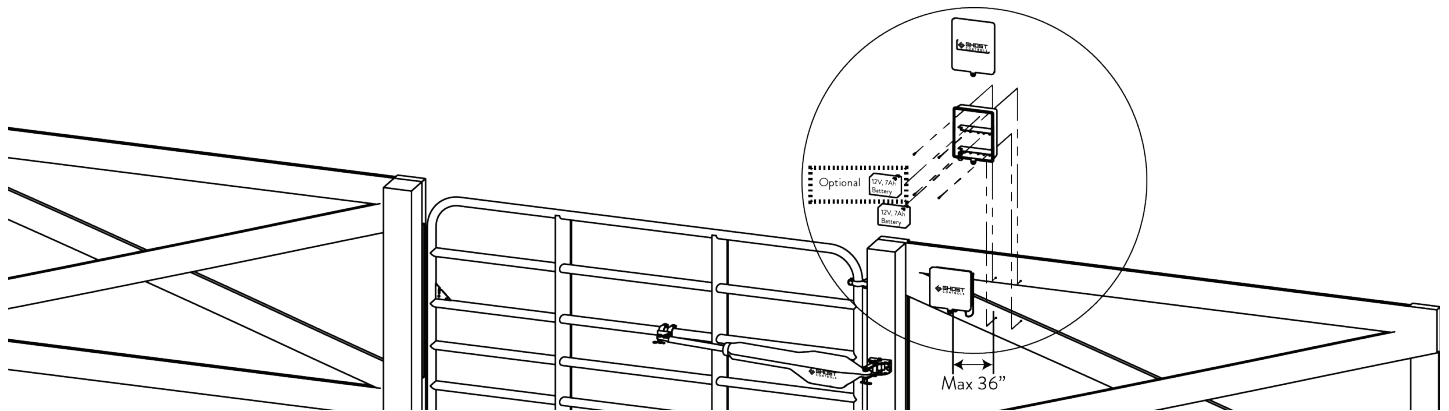
GHOST CONTROLS® does not recommend splicing the battery harness wire to extend its length. Battery Box should be mounted at least three feet above ground to avoid any standing water or snow and to prevent damage from landscaping equipment such as string trimmers or lawn mowers.

The included mounting screws are designed to be installed into wood or metal posts. If you are installing onto a post or column made of material other than wood or metal, you must replace the screws (not included) with appropriate mount-ing screws.

INSTALLING YOUR BATTERY BOX

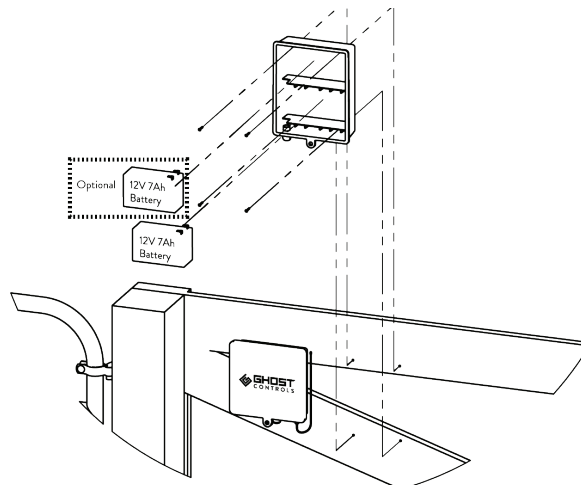
STEP 1: PLAN YOUR INSTALLATION LOCATION

Battery Box Kit must be located within 3 feet of control box and mounted to a solid object such as the fence.



STEP 2: MOUNT BOX WITH MOUNTING SCREWS

Install and tightly secure 4 mounting screws inside of battery box.

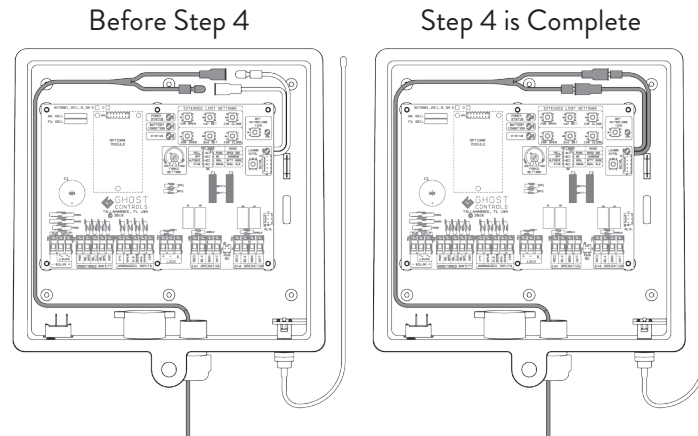
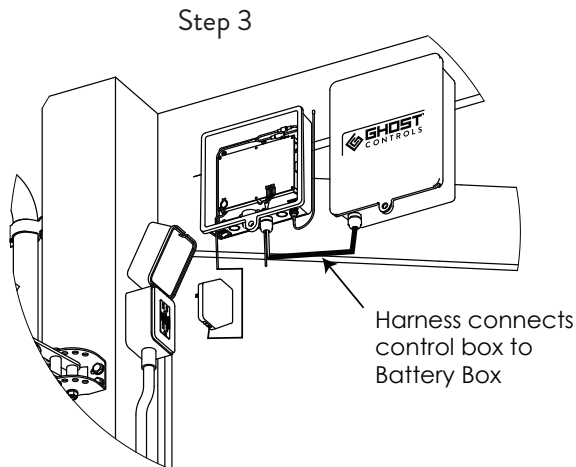


STEP 3: ATTACH POWER HARNESS TO SYSTEM CONTROL BOARD

Feed the power harness out of the battery box through its strain relief and up into system control box through the strain relief on the bottom of the control box. See image below.

STEP 4: TURN POWER OFF AND CONNECT WIRES

Turn the power switch to the GHOST CONTROLS® system controller to the off position before making connections. Connect the two bullet connectors from the battery box harness to the bullet connectors of the main system control board as shown below.



STEP 5: CONNECT THE BATTERY OR BATTERIES IN THE BATTERY BOX

Make sure to check for the proper polarity of wires. One or two batteries can be connected. Red connector goes on positive battery terminal first and black connector goes on negative terminal of battery.

STEP 6: TURN ON MAIN SYSTEM CONTROL BOX

Turn the main system toggle power switch located at the bottom of system control box to the on position.

STEP 7: TEST THE SYSTEM

Test the system with remote, keypad, or push button.

STEP 8: LOCK THE BOX (OPTIONAL)

You can purchase an optional AX3L Operator Security Kit to lock the operator, control box, and battery box with three different padlocks that are keyed alike.

WARRANTY:

GHOST CONTROLS® Battery Boxes are warranted for 18 months with proof of purchase. An additional 6 month warranty is available at NO COST if you register your product within 30 days of purchase on www.ghostcontrols.com/register.

GHOST CONTROLS® 12 Volt Batteries are warranted for 12 months with proof of purchase.

See warranty terms on www.ghostcontrols.com/warranty.

For more information on GHOST CONTROLS® Automatic Gate Openers and Accessories please visit our website at

www.ghostcontrols.com.



WARNING: This product can expose you to chemicals including lead, which is known to the State of California to cause cancer. For more information, go to www.P65Warnings.ca.gov

