

FFEF3016U S/W/B

FREESTANDING RANGE

30" ELECTRIC



AVAILABLE COLORS



Stainless



White



Black

PRODUCT DIMENSIONS

Height (Max.) 46-9/16"

Width 29-7/8"

Depth (Incl. Handle) 29-1/4"

MORE EASY-TO-USE FEATURES

Auto Shut-Off

As an extra safety measure, the oven will automatically shut off after 12 hours.

Color-Coordinated Oven Door with Large Window

Our large oven window makes it easier to check on the status of your dish without having to open the oven door.

Electronic Kitchen Timer

Times up to 12 hours.

ELEMENTS	SIZE	WATTS
Right Front	6" Coil	1,500
Right Rear	8" Coil	2,400
Left Front	8" Coil	2,400
Left Rear	6" Coil	1,500

SIGNATURE FEATURES

One-Touch Self Clean

Your oven cleans itself — so you don't have to. Self clean options available in 2- and 3-hour cycles.

Store-More™ Storage Drawer

With the Store-More™ Storage Drawer, you will have extra space to store your cookware.

Large Capacity

Our large capacity oven gives you room to cook more dishes at once.

Delay Clean

Set the oven to begin cleaning on your schedule.

FFEF3016U S/W/B FREESTANDING RANGE

30" ELECTRIC

FRIGIDAIRE

FEATURES

Oven Control/Timing System	Ready-Select® Controls
Surface Type	Black Porcelain (S), Color-Coordinated Porcelain (W/B)
Window	Extra-Large
Exterior Door Finish	Stainless (S), Color-Coordinated (W/B)
Handle Design	Black (S), Color-Coordinated (W/B)
Exterior Finish (Side Panels)	Black (S), Color-Coordinated (W/B)
Oven Cleaning System	Self Clean
Drawer Functionality	Storage

OVEN CONTROLS

Bake	Yes
Broil	Yes
Delay Start	Yes
Self-Clean	2, 3 Hours
Delay Clean	Yes
Kitchen Timer	Yes
Timed Cook Option	Yes
Auto Oven Shut-Off	Yes

COOKTOP FEATURES

Right Front Element (Watts)	6" - 1,500
Right Rear Element (Watts)	8" - 2,400
Left Front Element (Watts)	8" - 2,400
Left Rear Element (Watts)	6" - 1,500
Coil Cooktop/Drip Bowls	Yes/Black Porcelain

OVEN FEATURES

Capacity (Cu.Ft.)	5.3
Oven Light	1 Incandescent 40W
Rack Configuration	2 Standard
Baking System	Even Baking Technology
Broiling System	Vari-Broil™ (Hi/Lo)
Bake Element/Broil Element (Watts)	2,600/3,000

SPECIFICATIONS

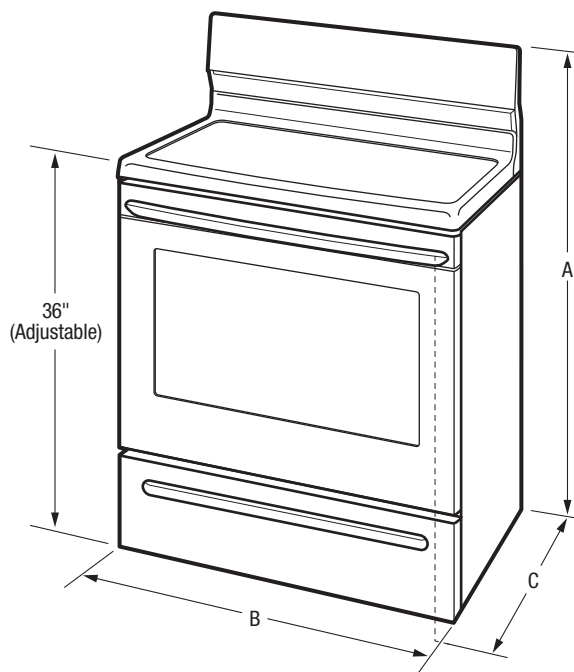
Oven Interior (H x W x D)	19-3/4" x 24-3/8" x 19-1/8"
Power Supply Connection Location	Middle Bottom Rear
Voltage Rating	240V/208V/60Hz
Connected Load (kW Rating) @ 240/208 Volts	10.0/7.5
Minimum Circuit Required (Amps)	40
Shipping Weight (Approx.)	160 Lbs. (S), 150 Lbs. (W/ B)

PRODUCT DIMENSIONS

A - Height (Max.)	46-9/16"
B - Width	29-7/8"
C - Depth (Incl. Handle)	29-1/4"
Depth with Door Open 90°	48-5/8"

CABINET CUTOUT DIMENSIONS

Height (Standard)	36"
Width (Min.)	30"
Depth (Min.)	24"



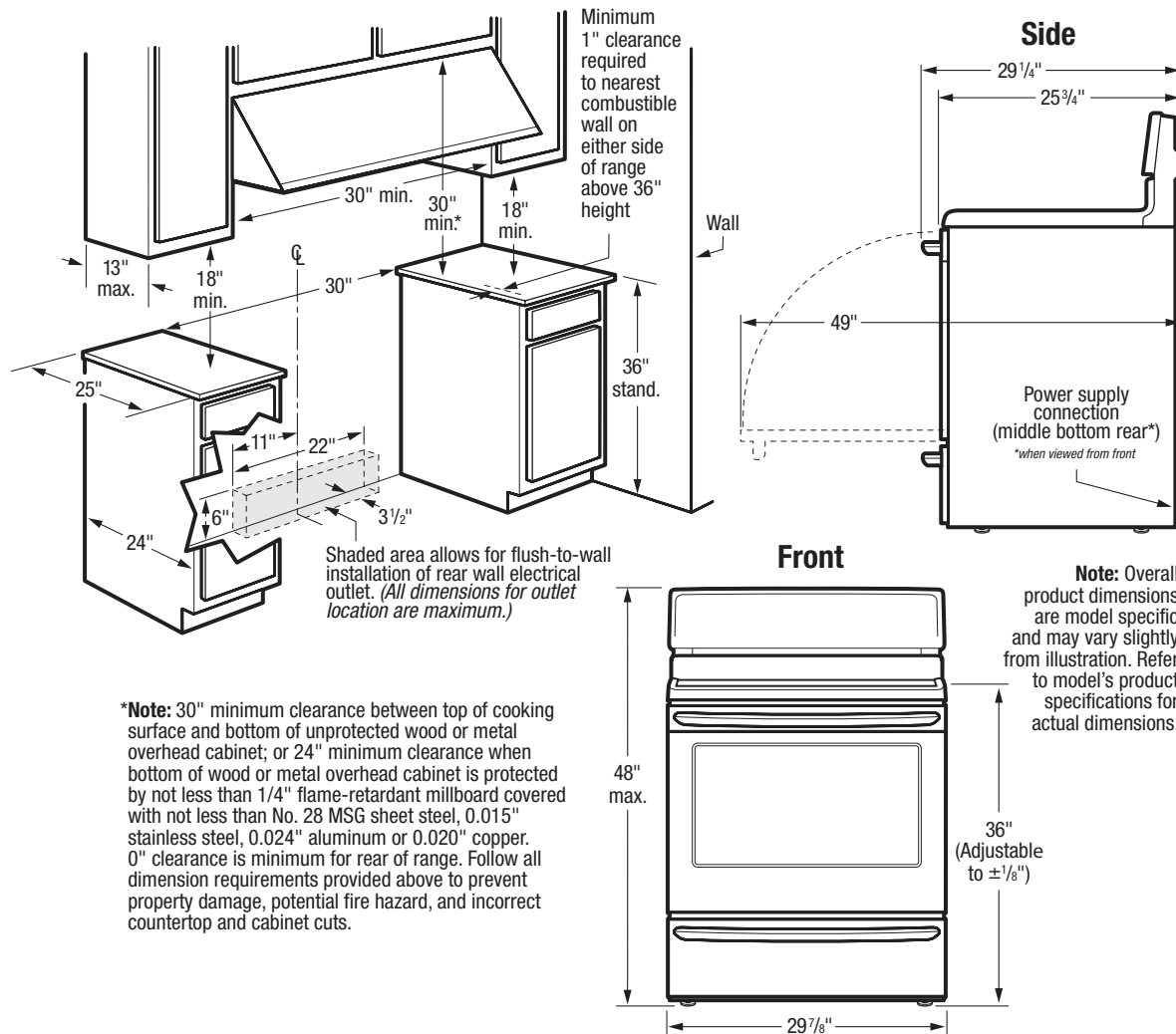
Note: For planning purposes only. Always consult local and national electric, gas and plumbing codes. Refer to Product Installation Guide for detailed installation instructions on the web at frigidaire.com.

Specifications subject to change. Accessories information available on the web at frigidaire.com

FRIGIDAIRE

USA • 10200 David Taylor Drive • Charlotte, NC 28262 • 1-800-FRIGIDAIRE • frigidaire.com
CANADA • 5855 Terry Fox Way • Mississauga, ON L5V 3E4 • 1-800-265-8352 • frigidaire.ca

FFEF3016U 07/18
© 2018 Electrolux Home Products, Inc.



INSTALLATION SPECIFICATIONS

- Product Shipping Weight (approx.) – 160 Lbs. (S) / 150 Lbs. (W/B)
- Single phase 3- or 4-wire cable, 120/240 or 120/208 Volt, 60 Hertz, fused on both sides of line with ground.
- Connected Load (kW Rating) @ 240/208 Volts = 10.0/7.5kW
- Recommended Circuit Breaker – 40 Amps
- Always consult local and national electric codes.
- Make sure wall coverings around range can withstand heat generated by range.
- Floor beneath range MUST be solid and level.
- Overhead cabinetry should not exceed a 13" maximum depth.
- Absolute minimum horizontal distance between overhead cabinets installed to either side of appliance must be no less than maximum width of appliance.
- Range can be installed flush to wall with 0" minimum rear clearance.
- Minimum 1" clearance required from edge of rangetop to nearest combustible wall on either side of range above 36" height.
- Allow 30" minimum clearance between top of cooking surface and bottom of unprotected wood or metal overhead cabinet; or 24" minimum clearance when bottom of wood or metal overhead cabinet is protected by not less than 1/4" flame retardant millboard covered with not less than No. 28 MSG sheet steel, 0.015" stainless steel, 0.024" aluminum or 0.020" copper.
- To reduce risk of fire when using overhead cabinetry, install range hood that projects horizontally a recommended minimum of 5" beyond bottom of cabinets.
- Follow all dimension requirements provided to prevent property damage, potential fire hazard, and incorrect countertop and cabinet cuts.

