

# Prestige - Two Handle Bathroom Faucet



- \* 4" Center-set, 3 Hole Installation
- \* Includes Brass Pop-up Drain
- \* 3-9/16" High and 4-7/8" Long One Piece Solid Cast Brass Spout, Zinc Handle, Brass Deck Plate
- \* Brass Waterway Construction with 1/2" -14 NPSM Connection
- \* 1/4 Turn Premium Grade Ceramic Cartridges (Type I)
- \* Flow Rate: 1.2GPM @ 60PSI
- \* 100% Pressure System Tested
- \* Lifetime Limited Warranty; 5 year warranty from date of purchase for Commercial users.

Project / Job Name	
Architect / Engineer	
Contractor	
Model	
Quantity	

**Model No. :**



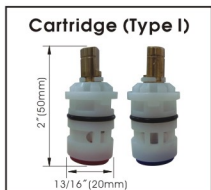
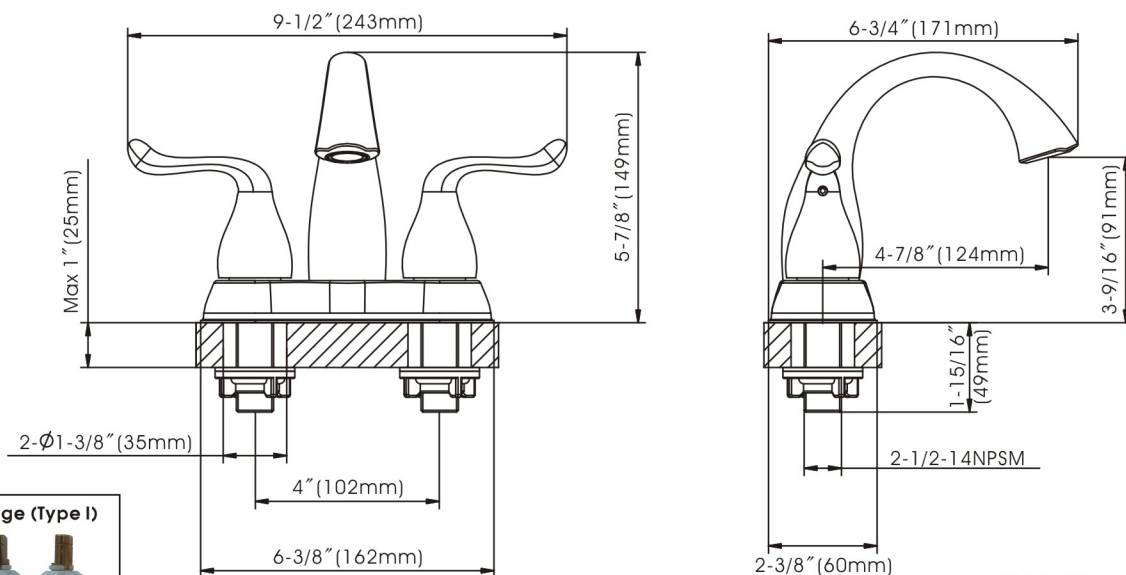
201-7709 (CH)



201-7710 (BN *Spotless PVD*)  
 (Shown Model)



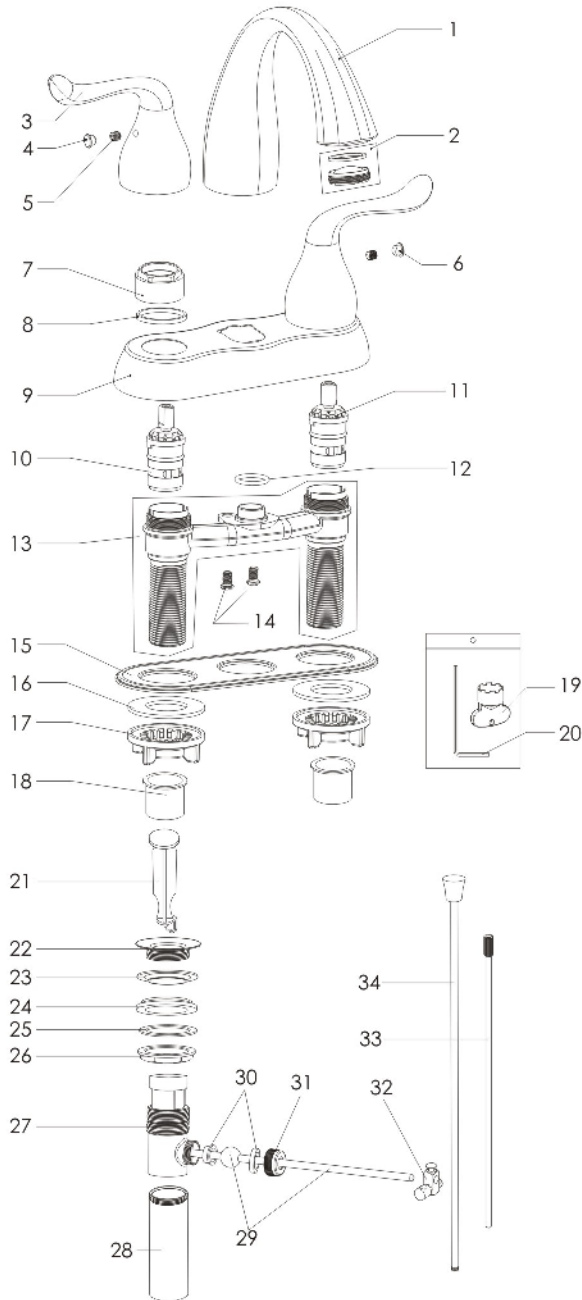
201-7711 (ORB)



**Product Compliance:**

- ASME A112.18.1 / CSA B125.1
- NSF 61 - Section 9
- NSF 372 (Low Lead Content)
- ANSI A117.1 (ADA)
- EPA - Water Sense

# Prestige - Two Handle Bathroom Faucet



**Model No. :**

201-7709 (Polished Chrome)

201-7710 (Brushed Nickel *Spotless PVD*)

201-7711 (Oil-Rubbed Bronze)

No.	Part Name	Material
1	Spout	Brass
2	Aerator	Rubber+Plastic
3	Handle	Zinc
4	Index(Red)	Rubber
5	Screw	Stainless Steel
6	Index(Blue)	Rubber
7	Cartridge Lock Nut	Zinc
8	Plastic Washer	Plastic
9	Deck Plate	Brass
10	Cartridge(Hot Water)	Ceramic
11	Cartridge(Cold Water)	Ceramic
12	O-Ring	Rubber
13	Brazed Underbody	Brass
14	Screw	Stainless Steel
15	Putty Plate	Plastic
16	Washer	Rubber
17	Plastic Lock Nut	Plastic
18	Protective Sleeve	Plastic
19	Aerator Wrench	Plastic
20	Allen Key	Stainless Steel
21	Drain Stopper	Plastic+Brass
22	Flange	Brass
23	Top Rubber Washer	Rubber
24	Bottom Rubber Washer	Rubber
25	Washer	Plastic
26	Lock Nut	Zinc
27	Drain Body	Brass
28	Tailpiece	Stainless Steel
29	Horizontal Rod	Plastic+Stainless Steel
30	Rod Ball Plastic Gasket	Plastic
31	Rod Guide Nut	Brass
32	Fittings	Brass
33	Extend Rod	Stainless Steel
34	Lift Rod	Brass

Cartridge (Type I)



Technical Support: [warranty@cmiproduct.com](mailto:warranty@cmiproduct.com)  
 Hour of Operation: Mon - Fri 8:30 a.m - 5:00 p.m. EST