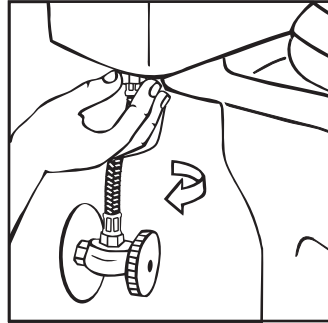
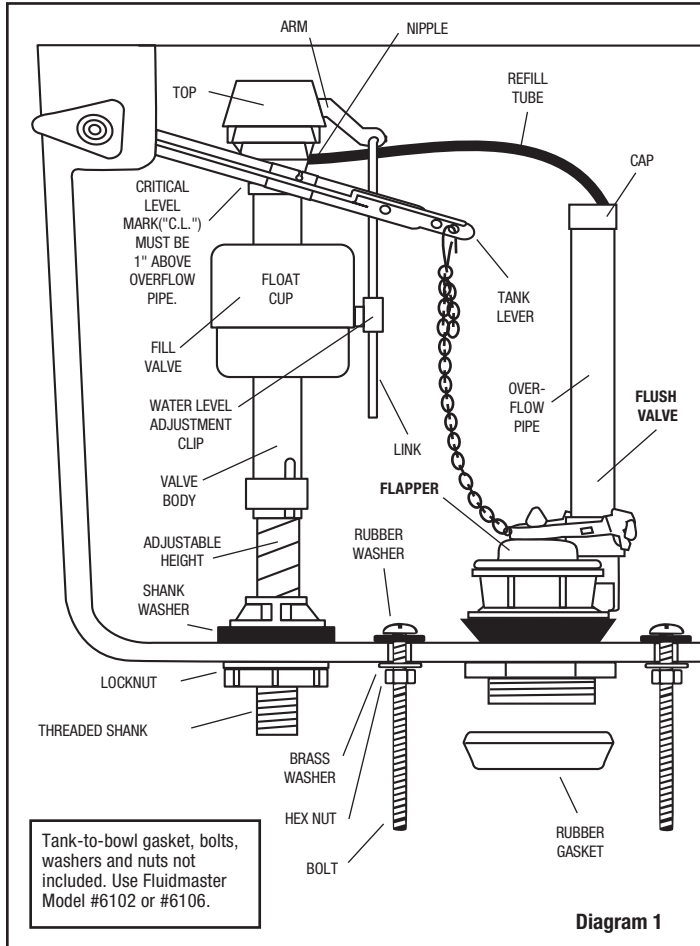


# FLUIDMASTER® 507A, 507C & 507D FLUSH VALVE INSTALLATION INSTRUCTIONS

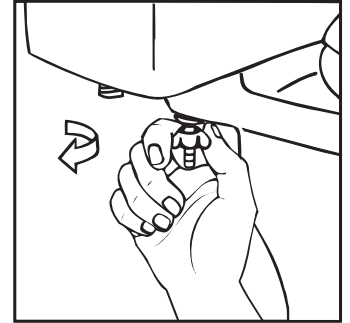
NOTE: SAVE INSTRUCTION SHEET FOR FUTURE REFERENCE.

**WARNING:** Fluidmaster shall not be responsible or liable for any failure of, or damage to, this plumbing product caused by use of chlorine (bleach) cleaners or related products added to the tank water. Use of such products will void the warranty and may result in product failure, possibly causing property damage. Do not overtighten nuts or tank/bowl may crack.

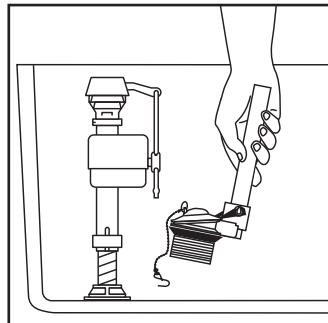
IMPORTANT: DO NOT use plumber's putty to seal this fitting.



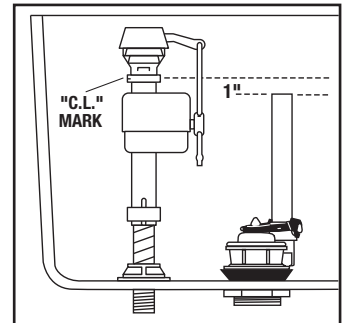
1. Turn off water supply. Flush toilet and remove excess water from tank with sponge. Remove water supply line from bottom of toilet fill valve.



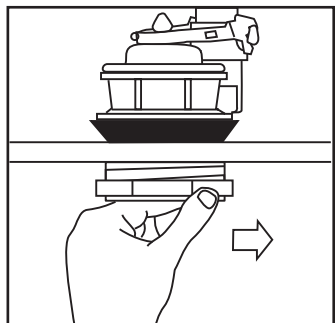
2. Unbolt tank from bowl, then lift off tank. Remove washers and nuts from bottom of tank, then remove old bolts. Remove old gasket.



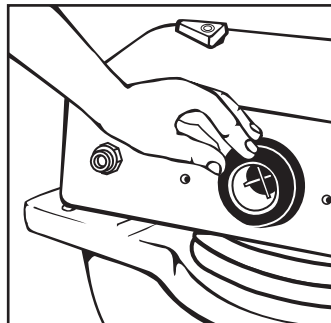
3. Remove old flush valve, including flapper/tank ball unit.



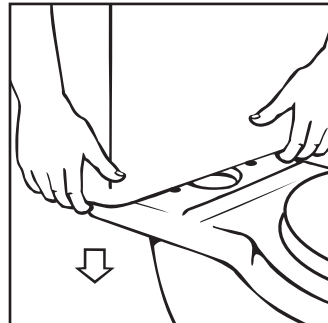
4. When installed, the top of the overflow pipe on the new flush valve should be at least 1" below the hole in the tank where the tank flush lever is mounted. If necessary, cut the overflow pipe with saw to achieve this height. The critical level mark on the fill valve (identified by a C.L. mark on the Fluidmaster Fill Valve) should be at least 1" above the top of the overflow pipe.



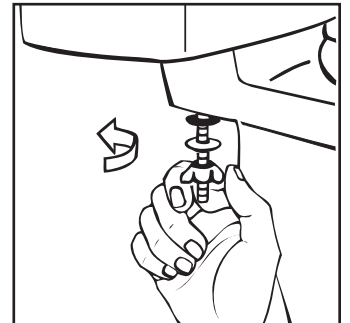
5. Install new flush valve. Tighten lock nut 1/2 turn beyond hand tight. DO NOT OVERTIGHTEN or tank may crack.



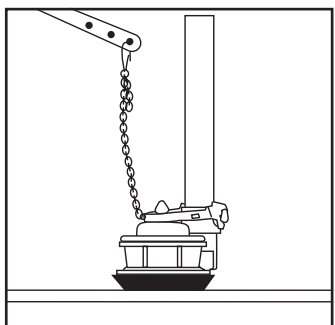
6. Slide new rubber gasket (sold separately) onto threaded end of flush valve.



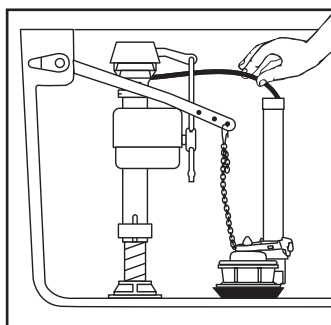
7. Place tank back on bowl so that tank-to-bowl gasket fits evenly. Level tank and bowl.



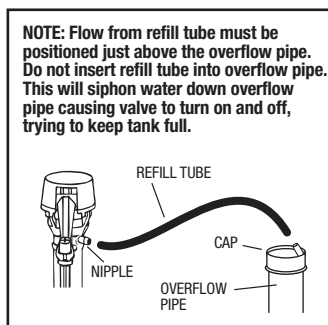
8. Reconnect tank to bowl with bolts, washers and nuts. Tighten bolts evenly, DO NOT OVERTIGHTEN or bowl may crack.



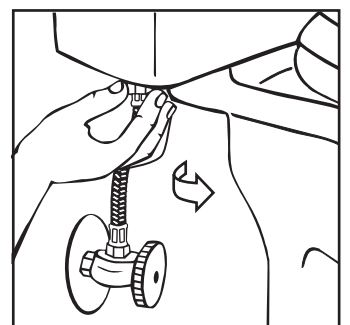
9. Connect flapper chain. Allow slight slack when flapper is in closed position.



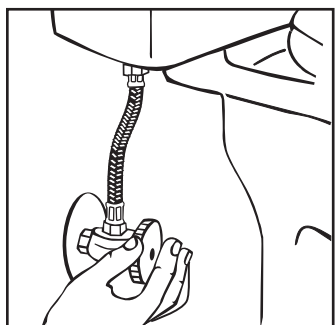
10. Attach existing refill tube to overflow pipe.



11. If you have a Fluidmaster Fill Valve, remove overflow pipe ring. Then use cap to attach directly to refill tube.



12. Reconnect water supply line to bottom of toilet fill valve.



13. Turn on water supply, check for leaks, then check flush.

**GUARANTEE:** This Fluidmaster product is guaranteed to be free from defective materials and workmanship for a period of one year. Units returned to Fluidmaster, California, will be replaced without charge.

Always use quality Fluidmaster repair parts when maintaining your Fluidmaster products. Fluidmaster shall not be responsible or liable for any damages caused by products used in Fluidmaster valves that were not manufactured by Fluidmaster, Inc.

**Fluidmaster Inc.**

30800 Rancho Viejo Road  
San Juan Capistrano, CA 92675  
(949) 728-2000, (800) 631-2011  
[www.fluidmaster.com](http://www.fluidmaster.com)