

FLEXIBLE COUPLINGS

Connect pipe sizes from 1-1/4" to 27"

Fernco Flexible Couplings have found wide acceptance among sewer and plumbing contractors and municipalities because of their quality and ease of installation. Fernco couplings are used for all types of in-house and sewer connections: drain waste, vent piping, house-to-main, repairs, cut-ins, conductor and roof drains and increasers-reducers.

Made of tough elastomeric polyvinyl chloride (PVC), they are strong, resilient and unaffected by soil conditions. They are also resistant to chemicals, ultraviolet rays, fungus growth, and normal sewer gases due to the inert nature and physical properties of the material. And they're leakproof, rootproof and seal against infiltration and exfiltration.

Fernco makes the most complete line in the industry, from sizes of 1-1/4" to 27" (32mm to 381mm) with couplings available to connect any two pipes. For larger size connections, see Large Diameter Couplings. The dimensional flexibility of Fernco couplings ensures leakproof seals on virtually any pipe material: plastic, cast iron, asbestos cement, clay, concrete, steel, fibre and ductile iron.

All couplings are clearly marked with part number, size, and pipe materials that the coupling will connect. Fernco makes fast delivery of stock items with no minimum order required. For special applications, our custom design service can supply couplings to individual customer requirements.

FERNCO
PlumbQuick™

www.fernco.com



For sewer, drain, waste & vent piping.
Specially formulated PVC compound positively seals any sewer and drain connection.

Takes only minutes for the average connection. Place coupling over spigot and tighten band. Saves money by saving installation time.

All Fernco clamps, including the band screw and housing, are made from Series 300 Stainless Steel. They are corrosion-resistant and rustproof. Additional band slots have been added for greater flexibility and the bands are specially designed for greater sealing efficiency.



- Positive seal against infiltration and exfiltration
- Leakproof and rootproof for under ground applications.
- Connect pipes of same or different sizes and materials
- Stainless steel clamps are corrosion-resistant and rustproof
- Conforms to ASTM #D5926 and C1173 and applicable parts of ASTM C443, C425, C564 and D1869

US: 1-800-521-1283

CANADA: 1-800-265-7518



Fernco, Inc.

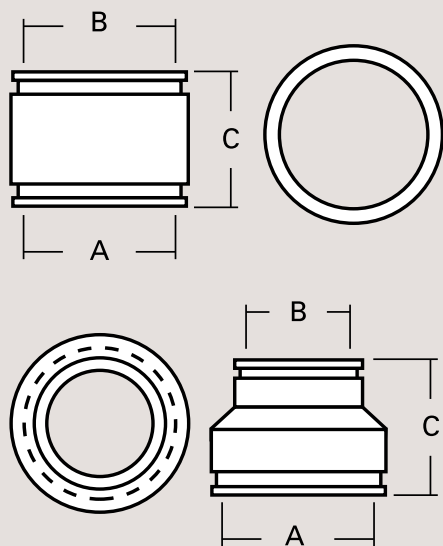
Coupling Sizing Charts

- 1001 Series - Clay to Clay
- 1002 Series - Clay to CI or Plastic
- 1003 Series - Clay to ABS or Ductile Iron
- 1004 Series - Concrete to Concrete
- 1006 Series - Concrete to CI or Plastic
- 1051 Series - ABS or Ductile Iron to CI or Plastic
- 1055 Series - ABS or Ductile Iron to ABS or Ductile Iron
- 1056 Series - CI, Plastic, Copper, Steel or Lead to
CI, Plastic, Copper, Steel or Lead
- 1059 Series - Plastic Socket to Plastic Pipe
- 1060 Series - Plastic Socket to Plastic Socket



1001 SERIES

FLEXIBLE COUPLINGS



Connect Any Two Pipes, Regardless Of Pipe Size Or Pipe Material.

- Fast, easy installation
- Effective, leakproof connection

Fernco Flexible Couplings Connect Pipe Sizes From 1-1/4" to 27"

Designed for drain, waste, vent and sewer applications. Test pressure should not exceed 4.3 psi (29.6 kPa)

**FOR SIZES OVER 27"
SEE OUR LARGE
DIAMETER COUPLINGS.**



www.fernco.com

SIZING CHARTS

All Dimensions Given In Inches and Millimeters
300 Series Stainless Steel Clamps Provided With All Couplings

SERIES 1001

Clay to Clay

Part Number	A		B		C	
	in.	mm	in.	mm	in.	mm
1001-44	5.25	133	5.25	133	4.00	101
1001-54	6.12	155	5.25	133	6.00	152
1001-55	6.12	155	6.12	155	5.00	127
1001-64	7.38	187	5.38	133	6.00	152
1001-65	7.38	187	6.38	155	6.00	152
1001-66	7.38	191	7.38	191	6.00	152
1001-86	9.65	245	7.38	187	6.00	152
1001-88	9.65	245	9.65	245	6.00	152
*1001-10-8	12.73	323	9.65	245	6.00	152
1001-1010	12.73	323	12.73	323	6.00	152
*1001-1210	14.38	365	12.73	323	6.00	152
1001-1212	14.38	365	14.38	365	6.00	152
*1001-1512	17.85	453	14.38	365	7.00	177
1001-1515	17.85	453	17.85	453	10.00	254
1001-1818	21.70	551	21.70	551	10.00	254
1001-2121	25.50	648	25.50	648	10.00	254
1001-2424	29.00	737	29.00	737	10.00	254
1001-2727	32.50	826	32.50	826	10.00	254

*Supplied with a reducer.

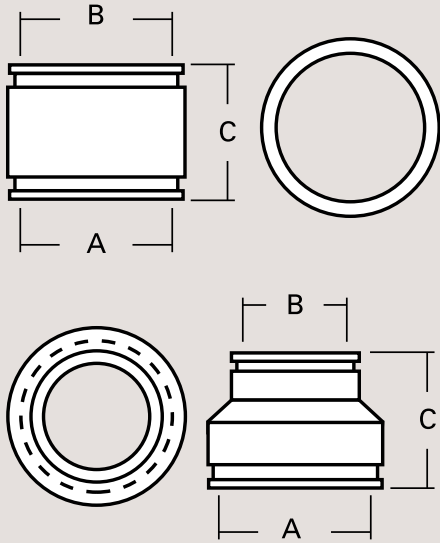
US: 1-800-521-1283

CANADA: 1-800-265-7518



1002 SERIES

FLEXIBLE COUPLINGS



Connect Any Two Pipes, Regardless Of Pipe Size Or Pipe Material.

- Fast, easy installation
- Effective, leakproof connection

Fernco Flexible Couplings Connect Pipe Sizes From 1-1/4" to 27"

Designed for drain, waste, vent and sewer applications. Test pressure should not exceed 4.3 psi (29.6 kPa)

**FOR SIZES OVER 27"
SEE OUR LARGE
DIAMETER COUPLINGS.**



www.fernco.com

SIZING CHARTS

All Dimensions Given In Inches and Millimeters
300 Series Stainless Steel Clamps Provided With All Couplings

SERIES 1002

Clay to Cast Iron or Plastic

Part Number	A		B		C	
	in.	mm	in.	mm	in.	mm
1002-43	5.25	133	3.38	85	4.00	101
1002-44	5.25	133	4.38	111	4.00	101
1002-46	5.25	133	6.38	162	6.00	152
1002-54	6.12	155	4.38	111	6.00	152
1002-55	6.12	155	5.38	136	5.00	127
1002-64	7.38	187	4.38	111	6.00	152
1002-65	7.38	187	5.38	136	6.00	152
1002-66	7.38	187	6.38	162	6.00	152
1002-86	9.65	245	6.38	162	6.00	152
1002-88	9.65	245	8.50	215	6.00	152
*1002-10-8	12.73	323	8.50	215	6.00	152
1002-1010	12.73	323	10.60	269	6.00	152
*1002-1210	14.38	365	10.60	269	6.00	152
1002-1212	14.38	365	12.60	320	6.00	152
*1002-1512	17.85	453	12.60	320	7.00	177
1002-1515	17.85	453	15.40	391	7.00	177
1002-1818	22.00	559	19.00	483	10.00	254
*1002-2121	25.50	648	22.30	566	10.00	254
*1002-2424	29.00	737	25.00	635	10.00	254
*1002-2727	32.50	826	28.20	716	10.00	254

*Supplied with a reducer.

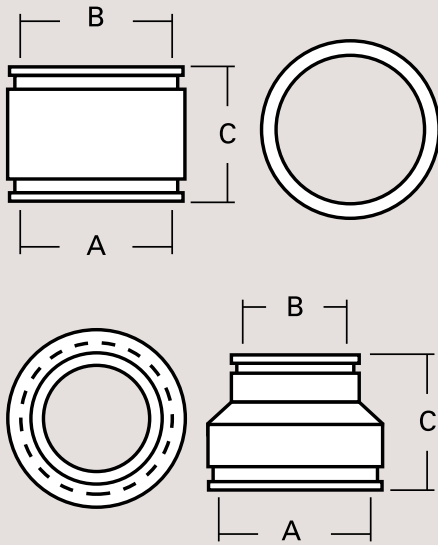
US: 1-800-521-1283

CANADA: 1-800-265-7518



1003 SERIES

FLEXIBLE COUPLINGS



Connect Any Two Pipes, Regardless Of Pipe Size Or Pipe Material.

- Fast, easy installation
- Effective, leakproof connection

Fernco Flexible Couplings Connect Pipe Sizes From 1-1/4" to 27"

Designed for drain, waste, vent and sewer applications. Test pressure should not exceed 4.3 psi (29.6 kPa)

**FOR SIZES OVER 27"
SEE OUR LARGE
DIAMETER COUPLINGS.**



www.fernco.com

SIZING CHARTS

All Dimensions Given In Inches and Millimeters
300 Series Stainless Steel Clamps Provided With All Couplings

SERIES 1003

Clay to Asbestos Cement Fibre or Ductile Iron

Part Number	A		B		C	
	in.	mm	in.	mm	in.	mm
1003-44	4.87	124	4.70	119	4.00	101
*1003-54	6.12	155	4.75	120	5.00	127
1003-55	6.12	155	5.90	149	5.00	127
*1003-64	7.38	187	4.75	120	6.00	152
*1003-65	7.38	187	5.90	149	6.00	152
1003-66	7.38	187	7.00	177	6.00	152
*1003-85	9.65	245	5.90	149	6.00	152
*1003-86	9.65	245	7.00	177	6.00	152
1003-88	9.65	245	9.12	231	6.00	152
*1003-10-8	12.73	323	9.12	231	6.00	152
*1003-1010	12.73	323	11.12	282	6.00	152
*1003-1210	14.38	365	11.12	282	6.00	152
1003-1212	14.38	365	13.20	335	6.00	152
*1003-1512	17.85	453	13.20	335	10.00	254
1003-1516	18.25	464	17.80	452	10.00	254
*1003-1818	21.70	551	19.50	495	10.00	254

*Supplied with a reducer.

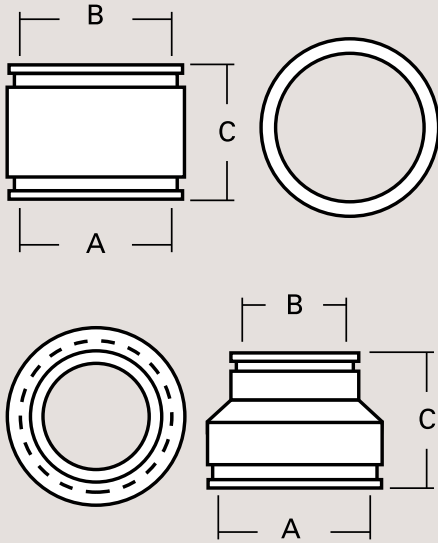
US: 1-800-521-1283

CANADA: 1-800-265-7518



1004 SERIES

FLEXIBLE COUPLINGS



Connect Any Two Pipes, Regardless Of Pipe Size Or Pipe Material.

- Fast, easy installation
- Effective, leakproof connection

Fernco Flexible Couplings Connect Pipe Sizes From 1-1/4" to 27"

Designed for drain, waste, vent and sewer applications. Test pressure should not exceed 4.3 psi (29.6 kPa)

**FOR SIZES OVER 27"
SEE OUR LARGE
DIAMETER COUPLINGS.**



www.fernco.com

SIZING CHARTS

All Dimensions Given In Inches and Millimeters
300 Series Stainless Steel Clamps Provided With All Couplings

SERIES 1004

Concrete to Concrete

Part Number	A		B		C	
	in.	mm	in.	mm	in.	mm
1004-44	5.62	142	5.62	142	4.00	101
*1004-64	7.80	198	5.62	142	6.00	152
1004-66	7.64	193	7.64	193	6.00	152
*1004-86	10.25	260	7.80	198	6.00	152
1004-88	10.25	260	10.25	260	6.00	152
1004-99	Use part number 1001-1010					
*1004-10-8	12.73	323	10.25	260	6.00	152
1004-1010	12.73	323	12.73	323	6.00	152
1004-1210	15.40	391	12.73	323	6.00	152
1004-1212	15.40	391	15.40	391	6.00	152
1004-1515	19.75	502	19.75	502	10.00	254
1004-1818	22.50	571	22.50	571	10.00	254
1004-2121	26.50	673	26.50	673	10.00	254
1004-2424	30.50	775	30.50	775	10.00	254
1004-2727	34.00	864	34.00	864	10.00	254

*Supplied with a reducer.

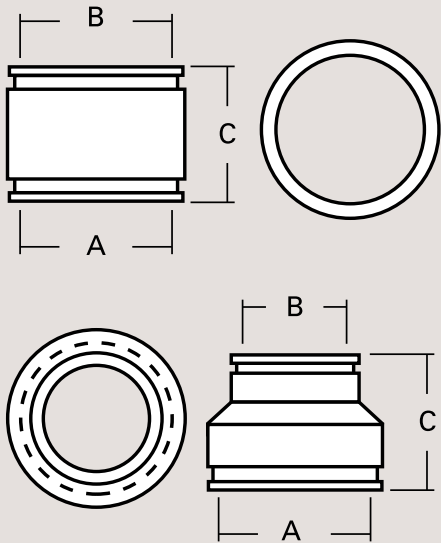
US: 1-800-521-1283

CANADA: 1-800-265-7518



1006 SERIES

FLEXIBLE COUPLINGS



Connect Any Two Pipes, Regardless Of Pipe Size Or Pipe Material.

- Fast, easy installation
- Effective, leakproof connection

Fernco Flexible Couplings Connect Pipe Sizes From 1-1/4" to 27"

Designed for drain, waste, vent and sewer applications. Test pressure should not exceed 4.3 psi (29.6 kPa)

**FOR SIZES OVER 27"
SEE OUR LARGE
DIAMETER COUPLINGS.**



www.fernco.com

SIZING CHARTS

All Dimensions Given In Inches and Millimeters
300 Series Stainless Steel Clamps Provided With All Couplings

SERIES 1006						
Concrete to Cast Iron or Plastic						
Part Number	A		B		C	
	in.	mm	in.	mm	in.	mm
1006-43	5.62	142	3.38	85	4.00	101
1006-44	5.62	142	4.38	111	4.00	101
1006-64	7.80	198	4.38	111	6.00	152
*1006-65	7.80	198	5.38	136	6.00	152
1006-66	7.80	198	6.38	162	6.00	152
*1006-86	10.25	260	6.38	162	6.00	152
1006-88	10.25	260	8.50	215	6.00	152
*1006-10-8	12.73	323	8.50	215	6.00	152
1006-1010	12.60	320	10.60	269	6.00	152
*1006-1210	16.00	391	10.60	269	6.00	152
1006-1212	16.40	416	12.50	318	6.00	152
1006-1515	19.75	502	15.50	388	10.00	254
*1006-1818	22.50	571	18.90	480	10.00	254
*1006-2121	26.50	673	22.30	566	10.00	254
*1006-2424	30.50	775	25.00	635	10.00	254
*1006-2727	34.00	864	28.20	716	10.00	254

*Supplied with a reducer.

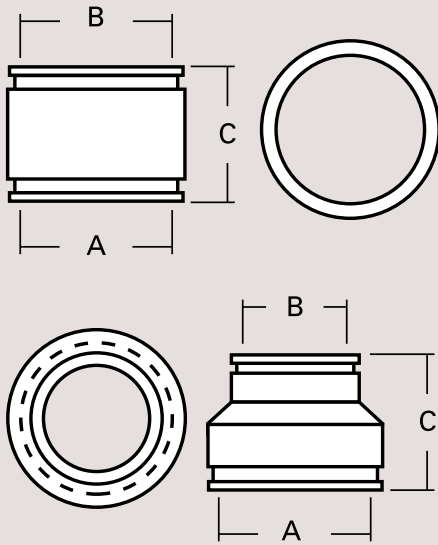
US: 1-800-521-1283

CANADA: 1-800-265-7518



1051 SERIES

FLEXIBLE COUPLINGS



Connect Any Two Pipes, Regardless Of Pipe Size Or Pipe Material.

- Fast, easy installation
- Effective, leakproof connection

Fernco Flexible Couplings Connect Pipe Sizes From 1-1/4" to 27"

Designed for drain, waste, vent and sewer applications. Test pressure should not exceed 4.3 psi (29.6 kPa)

**FOR SIZES OVER 27"
SEE OUR LARGE
DIAMETER COUPLINGS.**



www.fernco.com

SIZING CHARTS

All Dimensions Given In Inches and Millimeters
300 Series Stainless Steel Clamps Provided With All Couplings

SERIES 1051

Asbestos Cement Fibre or Ductile Iron to Cast Iron or Plastic

Part Number	A		B		C	
	in.	mm	in.	mm	in.	mm
*1051-43	4.75	120	3.38	85	4.00	101
1051-44	4.87	120	4.50	111	4.00	101
1051-54	5.90	149	4.38	111	4.00	101
1051-55	5.90	149	5.38	136	5.00	127
1051-64	7.00	177	4.38	111	6.00	152
1051-65	7.00	177	5.38	136	6.00	152
1051-66	7.00	177	6.38	162	6.00	152
*1051-86	9.12	231	6.38	162	6.00	152
1051-88	9.12	231	8.50	215	6.00	152
*1051-10-8	11.12	282	8.50	215	6.00	152
1051-1010	11.12	282	10.60	269	6.00	152
*1051-1210	13.20	335	10.60	269	6.00	152
1051-1212	13.20	335	12.60	320	6.00	152
1051-1615	17.85	453	15.40	391	7.00	177
1051-1818	19.50	495	18.90	480	10.00	1254

*Supplied with a reducer.

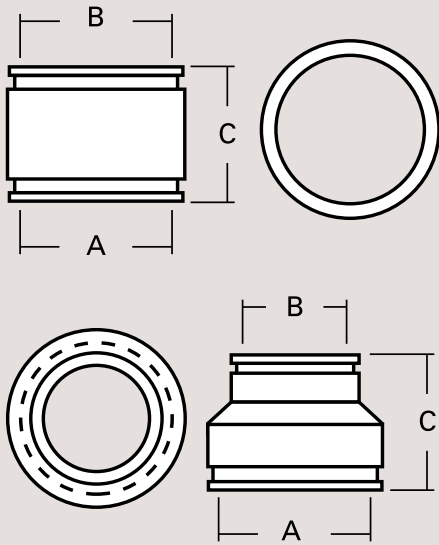
US: 1-800-521-1283

CANADA: 1-800-265-7518



1055 SERIES

FLEXIBLE COUPLINGS



Connect Any Two Pipes, Regardless Of Pipe Size Or Pipe Material.

- Fast, easy installation
- Effective, leakproof connection

Fernco Flexible Couplings Connect Pipe Sizes From 1-1/4" to 27"

Designed for drain, waste, vent and sewer applications. Test pressure should not exceed 4.3 psi (29.6 kPa)

**FOR SIZES OVER 27"
SEE OUR LARGE
DIAMETER COUPLINGS.**



www.fernco.com

SIZING CHARTS

All Dimensions Given In Inches and Millimeters
300 Series Stainless Steel Clamps Provided With All Couplings

SERIES 1055

Asbestos Cement Fibre or Ductile Iron to Asbestos Cement Fibre or Ductile Iron

Part Number	A		B		C	
	in.	mm	in.	mm	in.	mm
1055-44	4.75	120	4.75	120	4.00	101
*1055-54	5.90	149	4.75	120	5.00	127
1055-55	5.90	149	5.90	149	5.00	127
1055-64	7.00	177	4.75	120	6.00	152
1055-65	7.00	177	5.90	149	6.00	152
1055-66	7.10	180	7.10	180	6.00	152
*1055-86	9.12	231	7.00	177	6.00	152
1055-88	9.12	231	9.12	231	6.00	152
*1055-10-8	11.12	282	9.12	231	6.00	152
1055-1010	11.12	282	11.12	282	6.00	152
*1055-1210	13.20	335	11.12	282	6.00	152
1055-1212	13.20	335	13.20	335	6.00	152
*1055-1615	17.80	452	16.50	419	10.00	254
*1055-1818	19.50	495	19.50	495	10.00	254

*Supplied with a reducer.

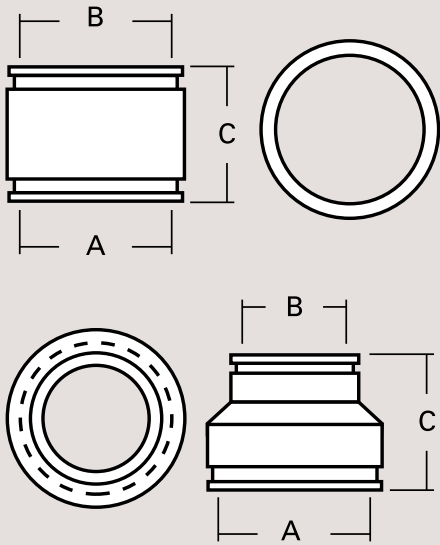
US: 1-800-521-1283

CANADA: 1-800-265-7518



1059 & 1060 SERIES

FLEXIBLE COUPLINGS



**Connect Any Two
Pipes, Regardless
Of Pipe Size Or
Pipe Material.**

- Fast, easy installation
- Effective, leakproof connection

**Fernco Flexible
Couplings Connect
Pipe Sizes From
1-1/4" to 27"**

Designed for drain, waste,
vent and sewer applications.
Test pressure should not
exceed 4.3 psi (29.6 kPa)

**FOR SIZES OVER 27"
SEE OUR LARGE
DIAMETER COUPLINGS.**



www.fernco.com

SIZING CHARTS

All Dimensions Given In Inches and Millimeters
300 Series Stainless Steel Clamps Provided With All Couplings

SERIES 1059

Plastic Socket to Plastic Pipe

Part Number	A		B		C	
	in.	mm	in.	mm	in.	mm
1059-150	2.25	57	1.93	49	4.00	101
1059-22	2.75	70	2.43	62	4.00	101
1059-33	3.95	100	3.51	89	4.00	101
1059-44	4.99	127	4.51	115	4.00	101

SERIES 1060

Plastic Socket to Plastic Socket

Part Number	A		B		C	
	in.	mm	in.	mm	in.	mm
1060-150	2.25	57	2.25	57	4.00	101
1060-22	2.75	70	2.75	70	4.00	101
1060-33	3.95	100	3.95	100	4.00	101
1060-44	4.99	127	4.99	127	4.00	101

*Supplied with a reducer.

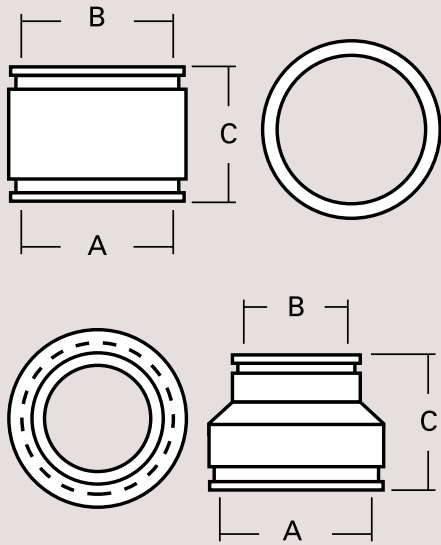
US: 1-800-521-1283

CANADA: 1-800-265-7518



1056 SERIES

FLEXIBLE COUPLINGS



Connect Any Two Pipes, Regardless Of Pipe Size Or Pipe Material.

- Fast, easy installation
- Effective, leakproof connection

Fernco Flexible Couplings Connect Pipe Sizes From 1-1/4" to 27"

Designed for drain, waste, vent and sewer applications. Test pressure should not exceed 4.3 psi (29.6 kPa)

**FOR SIZES OVER 27"
SEE OUR LARGE
DIAMETER COUPLINGS.**



www.fernco.com

SIZING CHARTS

All Dimensions Given In Inches and Millimeters
300 Series Stainless Steel Clamps Provided With All Couplings

SERIES 1056

Cast Iron, Plastic, Copper, Steel or Lead to Cast Iron, Plastic, Copper, Steel or Lead

Part Number	A		B		C	
	in.	mm	in.	mm	in.	mm
1056-125	1.65	40	1.65	40	3.50	88
1056-150/125	1.90	48	1.65	40	3.50	88
1056-150	1.90	48	1.90	48	3.50	88
1056-215	2.40	60	1.90	48	3.50	88
1056-22	2.40	60	2.40	60	3.50	88
1056-315	3.38	85	1.90	48	4.00	101
1056-32	3.38	85	2.40	60	4.00	101
1056-33	3.50	85	3.50	85	4.00	101
1056-415	4.38	111	1.90	48	4.00	101
1056-42	4.38	111	2.40	60	4.00	101
1056-43	4.38	111	3.38	85	4.00	101
1056-44	4.50	112	4.50	112	4.00	101
*1056-53	5.62	142	3.38	85	4.00	101
1056-54	5.62	142	4.38	111	4.00	101
1056-55	5.62	142	5.62	142	4.00	101
*1056-63	6.38	162	3.38	85	6.00	152
1056-64	6.38	162	4.38	111	6.00	152
1056-65	6.50	165	5.50	140	6.00	152
1056-66	6.38	162	6.38	162	6.00	152
*1056-84	8.50	215	4.38	111	6.00	152
1056-86	8.50	215	6.38	162	6.00	152
1056-88	8.50	215	8.50	215	6.00	152
1056-10-8	10.60	269	8.50	215	6.00	152
1056-1010	10.60	269	10.60	269	6.00	152
1056-1210	12.60	320	10.60	269	6.00	152
1056-1212	12.83	326	12.83	326	6.00	152
1056-1512	16.00	391	12.60	320	6.00	152
1056-1515	15.40	391	15.40	391	10.00	152
*1056-1815	18.90	480	15.30	404	10.00	254
1056-1818	18.90	480	18.90	480	10.00	254
1056-2121	22.30	566	22.30	566	10.00	254
1056-2424	25.00	635	25.00	635	10.00	254
1056-2727	28.20	716	28.20	716	10.00	254

*Supplied with a reducer.

US: 1-800-521-1283

CANADA: 1-800-265-7518



1059 & 1060 SERIES

FLEXIBLE COUPLINGS

Flexible Couplings for plastic socket connections are a time-saving way to repair or alter plastic pipe joints without replacing perfectly good fittings. They fit neatly over plastic pipes and sockets, making socket-to-pipe and socket-to-socket connections incredibly easy and reliable. They can even be used with plastic traps. Sizes available up to 4".

No messy glues or solvents are necessary. And like all Fernco connectors these new couplings are made of elastomeric PVC to provide years of trouble-free service. Premium Series 300 stainless steel bands are included with each product.

**SEE THE SIZING CHART
FOR SPECIFIC
DIMENSIONS FOR
THE 1059 AND 1060
SERIES COUPLING.**

FERNCO[®]
PlumbQuick™
www.fernco.com

For Plastic Socket Connections

Easy, reliable, outside connections for socket-to-socket or socket-to-pipe.



SERIES 1059

Socket to Pipe

1059-150	1-1/2"
1059-22	2"
1059-33	3"
1059-44	4"

SERIES 1060

Socket to Socket

1060-150	1-1/2"
1060-22	2"
1060-33	3"
1060-44	4"

APPLICATIONS: Couplings can be used at full 4" lengths or cut down to either 3" or 2" lengths for close quarter installations. Grooves accommodate stainless steel band when couplings are shortened.



US: 1-800-521-1283

• CANADA: 1-800-265-7518



1070 SERIES

FLEXIBLE COUPLINGS

For Corrugated Polyethylene

Flexible Couplings for corrugated polyethylene drainage tubing.

Connects drainage/irrigation systems tubing to PVC sewer piping quickly and easily.

Fernco's NEW flexible couplings for corrugated polyethylene drainage tubing are designed to connect modern drainage and irrigation systems to PVC pipes quickly...easily.

Lightweight, flexible, heavy-duty PVC connectors fit tight.

Available in four sizes: 3" x 3", 4" x 4", 6" x 6", and 8" x 8".



A.D.S. Corrugated Pipe & Hancor Corrugated

Ideal for use in:

- Storm and sub-soil drainage systems
- Farm irrigation systems
- Golf course drainage
- Residential areas
- Anywhere corrugated polyethylene drainage and irrigation systems are connected to S & D or DWV plastic pipe.

SERIES 1070

For Corrugated Pipe

1070-33	3" x 3"
1070-44	4" x 4"
1070-66	6" x 6"
1070-88	8" x 8"

FERNCO[®]
Plumb-Quik™

www.fernco.com

US: 1-800-521-1283



CANADA: 1-800-265-7518



**L.D.C.X.
SERIES**

LARGE DIAMETER COUPLINGS

For Special or Non-Standard Sizes

Large Diameter Couplings are ideal for repair, alterations or rehabilitation of large diameter sewer pipe. These couplings are made from flexible PVC and offer easy installation and leak free connections. They are engineered for use with all common sewer piping materials: clay, concrete, cast and ductile iron, asbestos/cement, plastic or fiberglass.

Note: Never install this type of coupling until you read and understand the installation instructions and verify the dimensions ordered.



FEATURES:

- Accommodates an O.D. difference of up to one inch*
- 12.7 inches wide
- 3/8 inch thick with multiple sealing ribs
- 2 - Series 300 (18-8) all stainless steel, extra strength (.040 thick) T-bolt clamps with multiple take up points
- Up to 150 in./lbs. of torque for greater sealing pressure.

Order by specifying the outside diameter (O.D.) of both pipes in inches.

*Where O.D. differences range from 1-1/4" - 4", a Fernco Bushing system is available.

FERNCO[®]
Plumb-Quik

www.fernco.com

US: 1-800-521-1283



CANADA: 1-800-265-7518



WESTERN SERIES

Center Stop Couplings and Bushings

Western Series Center Stop Couplings and Bushings are made of elastomeric PVC and are interchangeable with other brands of center stop couplings. The couplings and bushings are sized for West Coast Clay.

- Center-stop design with bushing inserts
- Bushings available for most common 4", 6", 8" transitions of clay, CI or plastic and A/C to:
 - Sch. 40 PVC and ABS Plastic
 - SDR-35 Plastic
 - Bead, Bald and Plain end Cast Iron
 - Rough Barrel and Machined-end A/C
 - Ductile Iron
- 300 series stainless steel worm gear clamps (316 stainless available)
- Manufactured in the USA by Fernco



Western Series Center Stop Coupling

COUPLINGS

Part No.	Description	Size
1081-44	4" Clay x 4" Clay	5.38 x 5.38
1081-66	6" Clay x 6" Clay	8.00 x 8.00
1081-88	8" Clay x 8" Clay	10.06 x 10.06
1085-88	8" A/C x 8" A/C	9.20 x 9.20
1086-33	3" CI/PL x 3" CI/PL	3.50 x 3.50
1086-44	4" CI/PL x 4" CI/PL	4.50 x 4.50

BUSHINGS

481-4.90	4" Clay x RBAC or CI 150 DI	(B)	5.38 x 4.90
481-4.38	4" Clay x PECl / Bald CI	(J)	5.38 x 4.38
481-4.63	4" Clay x Bead CI/MEAC	(C)	5.38 x 4.63
481-4.50	4" Clay x ABS/Sch. 40		5.38 x 4.50
481-4.25	4" Clay x SDR35/PVC		5.38 x 4.25
681-6.63	6" Clay x ABS/Bead CI/MEAC	(C)	8.00 x 6.63
681-6.38	6" Clay x PECl/PVC	(J)	8.00 x 6.38
881-8.38	8" Clay x PVC/PECl	(J)	10.06 x 8.38
881-8.63	8" Clay x Bead CI/ABS/MEAC	(C)	10.06 x 8.63
881-9.00	8" Clay x RBAC/CIs 150 DI	(B)	10.06 x 9.00
885-8.38	8" A/C x PECl/PVC	(D)	10.06 x 8.38
885-8.63	8" Clay x Bead CI/ABS/MEAC	(AEK)	10.06 x 8.63



www.fernco.com

US: 1-800-521-1283

CANADA: 1-800-265-7518



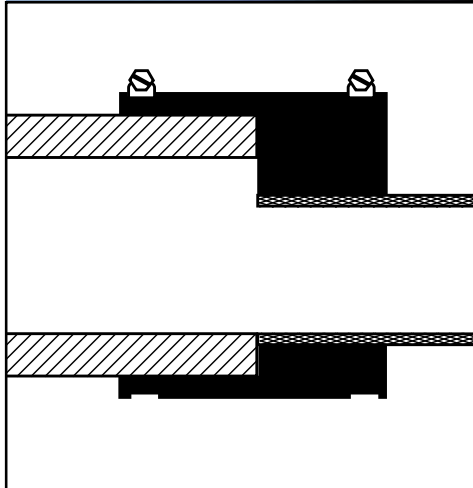
ECENTRIC COUPLINGS

For Critical Grade Conditions

Available for all common sewer pipe materials

Fernco Eccentric Couplings help maintain an even, continuous flowline in critical grade conditions. They're easy to install and available to fit all common sewer pipe size combinations. Made of tough, flexible elastomeric PVC, Eccentric Couplings seal reliably against infiltration and exfiltration.

Eccentric bushings fit one end of Fernco Standard Flexible Couplings.



Available for all common sewer pipe materials.

- Clay to Clay
- Clay to CI/Plastic
- Clay to A-C/Ductile
- Concrete to Concrete
- Concrete to CI/Plastic
- A-C/Ductile to CI/Plastic
- A-C/Ductile to A-C/Ductile
- CI/Plastic to CI/Plastic

When ordering, please provide size and piping materials to be connected.

FERNCO[®]
PlumbQuick

www.fernco.com

US: 1-800-521-1283



CANADA: 1-800-265-7518



SHEAR RINGS

Add Extra Strength and Rigidity

Stainless Steel Shear Rings add extra strength and rigidity to just about any size couplings. They're easy to attach and help maintain proper alignment in even the most unstable ground conditions. Bushings are separately supplied for material transition and size reduction.

Stocked separately for convenient use with your regular inventory.

- All stainless steel bands, nuts, and housings (Series 300 Stainless Steel).
- Designed to fit Fernco's 1001 (Clay to Clay) 1004 (Concrete to Concrete) 1055 (AC to AC) 1056 (CI/Plastic to CI/Plastic) series couplings.
- Available for 1-1/2" to 15" couplings.



PART NUMBER	SHEAR RING LENGTH	BAND SIZE	SHIELD WIDTH	FERNCO COUPLING PART #
SR-9	9"	32	1.5"	1056-150
SR-11	11"	44	1.5"	1056-22
SR-15	15"	64	2"	1056-33
SR-19	19"	88	2"	1056-44, 1055-44
SR-22	22"	96	2"	1001-44, 1004-44, 1056-55
SR-25	25"	116	4"	1056-66
SR-27	27"	128	4"	1001-66, 1055-66
SR-28	28"	140	4"	1004-66
SR-33	33"	152	4"	1056-88
SR-35	35"	164	4"	1001-88, 1055-88
SR-37	37"	184	4"	1004-88
SR-39	39"	184	4"	1055-1010, 1056-1010
SR-46	46"	(2) 116	4"	1001-1010, 1004-1010, 1051-1212, 1055-1212, 1056-1212
SR-54	54"	(2) 128	4"	1001-1212, 1004-1212 1056-1515
SR-59	59"	(2) 152	4"	1001-1515
SR-63	63"	164 & 152	4"	1056-1818
SR-73	73"	(2) 184	4"	1056-2121

FERNCO
PlumbQuik
www.fernco.com

US: 1-800-521-1283

CANADA: 1-800-265-7518



STRONG BACK

Fernco Strong Back RC Series Repair Couplings offer a .012" stainless steel shielded coupling that has a molded in bushing for those areas that require extra rigidity.

- Molded in bushing
- .012" thick stainless steel shear ring
- 300 series stainless steel clamp housing, clamp screw, clamp band and shear ring
- Clamps are spot welded in place

RC Series Repair Couplings

For where there is a need for resistance to heavy earth loads, shear forces and improved alignment



1. Gasket

- Manufactured to Meet the Material Requirements of:
 - CSA B602 - mechanical couplings for drain, waste, vent pipe and sewer pipe
 - ASTM D 5926 - Standard Specification for Poly (Vinyl Chloride) (PVC) Gaskets for Drain, Waste, and Vent (DWV), Sewer, Sanitary, and Storm Plumbing Systems
 - ASTM C 1173 - Standard Specification for Flexible Transition Couplings for Underground Piping Systems
- Hardness, Shore "A", Inst. ± 5 65
- Tensile Strength, Min. psi1000
- Elongation at Rupture, Min. %250
- Tear Strength, Min.150 lb/in.
- Brittleness Temperature-40°F

2. Clamps

- Manufactured to the requirements of CSA B602
- Clamp Housing- 301 Stainless Steel
- Clamp Band - 301 Stainless Steel
- Clamp Screw- 305 Stainless Steel
- Free Torque Max, 4"1bs., Ultimate Torque Min. 65" lbs

3. Shear Ring

- .012" Thick, 300 Series Stainless Steel
- Width Manufactured to Order Depending on Coupling Width (1.50", 2.13", or 4")
- Length Manufactured to Order (Depending on Coupling Diameter)
- Clamps Spot Welded in Place

4. Coupling

- Manufactured to Conform to the Performance Requirements of:
 - ASTM C 1173 - standard specification for flexible transition couplings for underground piping systems
 - CSA B602 - mechanical couplings for drain, waste, and vent and sewer pipe

FERNCO[®]
PlumbQuick™
www.fernco.com

US: 1-800-521-1283

• CANADA: 1-800-265-7518



STRONG BACK RC Series Repair Couplings

Part Numbers & Descriptions



***INSERT BUSHING INCLUDED WITH DESIGNATED PART NUMBERS**

CALL FERNCO FOR ADDITIONAL SIZES



www.fernco.com

1001 RC Series - For Clay to Clay	
1001-44RC	4" Clay to 4" Clay
1001-66RC	6" Clay to 6" Clay
1001-88RC	8" Clay to 8" Clay
1001-1010RC	10" Clay to 10" Clay
1001-1212RC	12" Clay to 12" Clay
1002 RC Series - For Clay to Cast Iron or Plastic	
1002-44RC	4" Clay to 4" Cast Iron or Plastic
*1002-55RC	5" Clay to 5" Cast Iron or Plastic
*1002-64RC	6" Clay to 4" Cast Iron or Plastic
1002-66RC	6" Clay to 6" Cast Iron or Plastic
1002-88RC	8" Clay to 8" Cast Iron or Plastic
*1002-1010RC	10" Clay to 10" Cast Iron or Plastic
*1002-1212RC	12" Clay to 12" Cast Iron or Plastic
1003 RC Series - For Clay to ABS or Ductile Iron	
1003-44RC	4" Clay to 4" ABS or Ductile Iron
1003-66RC	6" Clay to 6" ABS or Ductile Iron
1003-88RC	8" Clay to 8" ABS or Ductile Iron
*1003-1010RC	10" Clay to 10" ABS or Ductile Iron
*1003-1212RC	12" Clay to 12" ABS or Ductile Iron
1004 RC Series - For Concrete to Concrete	
1004-44RC	4" Concrete to 4" Concrete
1004-66RC	6" Concrete to 6" Concrete
1004-88RC	8" Concrete to 8" Concrete
1004-1010RC	10" Concrete to 10" Concrete
1004-1212RC	12" Concrete to 12" Concrete
1006 RC Series - For Concrete to Cast Iron or Plastic	
*1006-44RC	4" Concrete to 4" Cast Iron or Plastic
*1006-64RC	6" Concrete to 4" Cast Iron or Plastic
*1006-66RC	6" Concrete to 6" Cast Iron or Plastic
*1006-88RC	8" Concrete to 8" Cast Iron or Plastic
*1006-1212RC	12" Concrete to 12" Cast Iron or Plastic
1051 RC Series - For ABS or Ductile Iron to Cast Iron or Plastic	
1051-44RC	4" ABS or Ductile Iron to 4" Cast Iron or Plastic
1051-66RC	6" ABS or Ductile Iron to 6" Cast Iron or Plastic
1051-88RC	8" ABS or Ductile Iron to 8" Cast Iron or Plastic
*1051-108RC	10" ABS or Ductile Iron to 8" Cast Iron or Plastic
1051-1010RC	10" ABS or Ductile Iron to 10" Cast Iron or Plastic
*1051-1212RC	12" ABS or Ductile Iron to 12" Cast Iron or Plastic
1055 RC Series - For ABS or Ductile Iron to ABS or Ductile Iron	
1055-44RC	4" ABS or Ductile Iron to 4" ABS or Ductile Iron
1055-66RC	6" ABS or Ductile Iron to 6" ABS or Ductile Iron
1055-88RC	8" ABS or Ductile Iron to 8" ABS or Ductile Iron
1055-1010RC	1010" ABS or Ductile Iron to 1010" ABS or Ductile Iron
1055-1212RC	1212" ABS or Ductile Iron to 1212" ABS or Ductile Iron
1056 RC Series - For CI, PL, Copper, ST or Lead to CI, PL, Copper, ST or Lead	
1056-150RC	1-1/2" CI, PL, Copper, ST or Lead to 1-1/2" CI, PL, Copper, ST or Lead
1056-22RC	2" CI, PL, Copper, ST or Lead to 2" CI, PL, Copper, ST or Lead
1056-33RC	3" CI, PL, Copper, ST or Lead to 3" CI, PL, Copper, ST or Lead
*1056-43RC	4" CI, PL, Copper, ST or Lead to 3" CI, PL, Copper, ST or Lead
1056-44RC	4" CI, PL, Copper, ST or Lead to 4" CI, PL, Copper, ST or Lead
1056-55RC	5" CI, PL, Copper, ST or Lead to 5" CI, PL, Copper, ST or Lead
*1056-64RC	6" CI, PL, Copper, ST or Lead to 4" CI, PL, Copper, ST or Lead
1056-66RC	6" CI, PL, Copper, ST or Lead to 6" CI, PL, Copper, ST or Lead
*1056-86RC	8" CI, PL, Copper, ST or Lead to 6" CI, PL, Copper, ST or Lead
1056-88RC	8" CI, PL, Copper, ST or Lead to 8" CI, PL, Copper, ST or Lead
1056-1010RC	10" CI, PL, Copper, ST or Lead to 10" CI, PL, Copper, ST or Lead
1056-1212RC	12" CI, PL, Copper, ST or Lead to 12" CI, PL, Copper, ST or Lead

***INSERT BUSHING INCLUDED - CALL FERNCO FOR ADDITIONAL SIZES**

US: 1-800-521-1283

CANADA: 1-800-265-7518



NO HUB COUPLINGS

For Hubless Cast Iron Systems

No Hub Couplings And
Husky SD-2000 No Hub

- **AISI 304 STAINLESS STEEL SHIELD.**
- **AISI STAINLESS STEEL CLAMPS AND SCREW HOUSING:**
Full size 9/16" wide bands and one piece screw housings are mechanically interlocked for strength. The wide clamp band provides enhanced sealing force.
- **SPECIALLY BEADED GASKET:**
Unique beaded Neoprene gasket grips with superior holding and sealing power. Gasket conforms to ASTM C 564.
- **Husky SD-2000 COUPLINGS:**
meet ASTM C 1277 and meet test criteria of CISPI 310.



Husky SD-2000

HD-150	1-1/2"
HD-22	2"
HD-33	3"
HD-44	4"
HD-55	5"
HD-66	6"
HD-88	8"
HD-1010	10"

No-Hub Couplings

NH-150	1-1/2"
NH-22	2"
NH-33	3"
NH-44	4"
NH-55	5"
NH-66	6"
NH-88	8"
NH-1010	10"
NH-1212	12"
NH-1515	15"

Reducing Sizes

NH-215	2" x 1-1/2"
NH-32	3" x 2"
NH-42	4" x 2"
NH-43	4" x 3"

FERNCO[®]
PlumbQuick™

www.fernco.com

US: 1-800-521-1283



CANADA: 1-800-265-7518





Shielded Specialty Couplings



Part Numbers And Description For The 3000 Series

Part Number	Description	Mission Equivalent
3000 Series For Cast Iron To Plastic, Steel Or Extra-Heavy Cast Iron		
3000-150	1-1/2" CI, PL or ST to 1-1/2" CI, PL or ST	CP-150
3000-22	2" CI, PL or ST to 2" CI, PL. or ST	CP-22
3000-215	2" CI, PL or ST. to 1-1/2" PL or ST	CP-215
3000-33	3" CI to 3" PL, ST or XHCI	CP-33
3000-43	4" CI to 3" PL, ST or XHCI	CP-43
3000-44	4" CI to 4" PL, ST or XHCI	CP-44
3000-55	5" CI to 5" PL, ST or XHCI	CP-55
3000-66	6" CI to 6" PL, ST or XHCI	CP-66
3000-88	8" CI to 8" PL, ST or XHCI	CP-88
3001 Series For Cast Iron, Plastic, Or Steel To Copper		
3001-1125	1-1/2" CI, PL or ST to 1-1/4" Copper or 1" PL	CK-1125
3001-150	1-1/2" CI, PL or ST to 1-1/2" Copper or 1-1/4" PL	CK-115
3001-215	2" CI, PL or ST to 1-1/2" Copper or 1-1/4" PL	CK-215
3001-22	2" CI, PL or ST to 2" Copper	CK-22
3001-32	3" CI to 2" Copper	CK-32
3001-33	3" CI to 3" Copper	CK-33
3001-43	4" CI to 3" Copper	CK-43
3001-44	4" CI to 4" Copper	CK-44
3002 Series For Cast Iron, Plastic, Or Steel To Tubular		
3002-150	1-1/2" CI, PL or ST to 1-1/2" Tubular	T-150
3002-215	2" CI, PL or ST to 1-1/2" Tubular	T-215
3002-155	1-1/2" Tubular to 1-1/2" Tubular	BWT-150
3003 Series For Copper To Copper		
3003-150	1-1/2" Copper to 1-1/2" Copper or 1-1/4" PL	K-150
3003-22	2" Copper to 2" Copper	K-200
3003-215	2" Copper to 1-1/2" Copper or 1-1/4" PL	K-215
3003-33	3" Copper to 3" Copper	K-300
3004 Series For Cast Iron To Cast Iron, Plastic Or Steel		
3004-320	3" CI to 2" CI, PL or ST	C-320
3004-420	4" CI to 2" CI, PL or ST	C-420
3004-430	4" CI to 3" CI	C-430
3004-540	5" CI to 4" CI	C-540
3005 Series For Plastic, Steel Or XHCI To Plastic, Steel Or XHCI		
3005-33	3" PL, ST, or XHCI to 3" PL, ST, or XHCI	P-300
3005-43	4" PL, ST, or XHCI to 3" PL, ST, or XHCI	P-430
3005-44	4" PL, ST, or XHCI to 4" PL, ST, or XHCI	P-400
3006 Series For Copper To Cast Iron, Plastic or Steel		
3006-215	2" Copper to 1-1/2" CI, PL, or ST	KC-215
3006-32	3" Copper to 2" CI, PL, or ST	KC-32
3006-43	4" Copper to 3" CI	KC-43
3007 Series For Plastic, Steel or Extra-Heavy Cast Iron To Copper		
3007-32	3" PL, ST, or XHCI to 2" Copper	PK-32
3007-33	3" PL, ST, or XHCI to 3" Copper	PK-33
3007-43	4" PL, ST, or XHCI to 3" Copper	PK-43
3007-44	4" PL, ST, or XHCI to 4" Copper	PK-44
3008 Series For Plastic, Steel Or XHCI To Plastic, Steel Or XHCI		
3008-32	3" PL, ST, or XHCI to 2" PL, ST, or XHCI	PC-32
3009 Series For Thinwall Plastic To Sch. 40 Plastic		
3009-44	4" Thinwall PL to 4" Sch 40 PL	TWP-44
3010 Series For Copper To Tubular		
3010-150	1-1/2" Copper to 1-1/2" Tubular	KT-150



www.fernco.com

US: 1-800-521-1283

CANADA: 1-800-265-7518



LARGE DIAMETER WATERSTOP

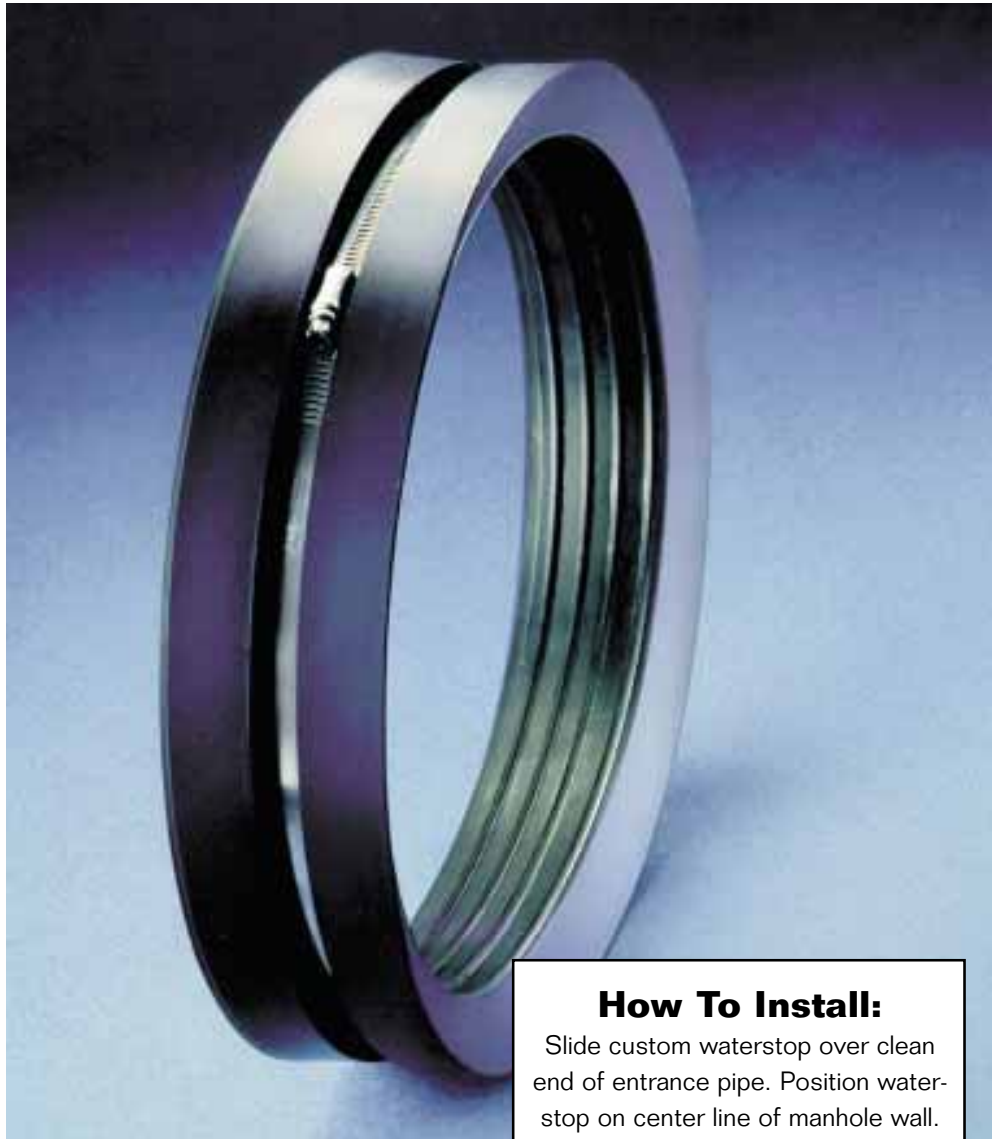
For Sewer Pipe 8" (203mm) And Larger

Order by specifying the outside diameter (O.D.) of the pipe which is to receive the waterstop. Minimum size: 8.5" O.D. (55.6mm O.D.)

Large Diameter Waterstops help eliminate leaks around pipe entering manhole walls, yet are flexible enough to permit lateral pipe movement without destroying seal integrity. It is particularly useful for pipe to which concrete will not adhere, such as plastic pipe.

The waterstop is made of elastomeric PVC, is corrosion proof and is unaffected by acid or alkalis, however the waterstop is subjected to many various conditions that are beyond the manufacturers control. High ground water tables, quality of grout, workmanship and field conditions can affect its ability to seal. Discretion must be used in its application and installation.

Due to the many varying factors that can influence the waterstop effectiveness as a seal, Fernco does not warrant this product as a positive water seal.



How To Install:

Slide custom waterstop over clean end of entrance pipe. Position waterstop on center line of manhole wall.

Tighten the stainless steel band to 60"/lbs. torque. Stainless steel band is furnished with the waterstop.

Grout around the waterstop as normally done to close an opening in a concrete wall.

For waterstops smaller than 12", see concrete manhole adapters.

FERNCO[®]
PlumbQuik™

www.fernco.com

US: 1-800-521-1283



CANADA: 1-800-265-7518



CONCRETE MANHOLE ADAPTERS

For Pipes Entering Manhole Walls

Concrete Manhole Adapters help eliminate leaks around pipe entering manhole walls, yet are flexible enough to permit lateral pipe movement without destroying seal integrity. It is particularly useful for pipe to which concrete will not adhere, such as plastic pipe.

The CMA is made of elastomeric PVC, is corrosion proof and is unaffected by acid or alkalis, however the CMA is subjected to many various conditions that are beyond the manufacturers control. High ground water tables, quality of grout, workmanship and field conditions can affect its ability to seal. Discretion must be used in its application and installation.

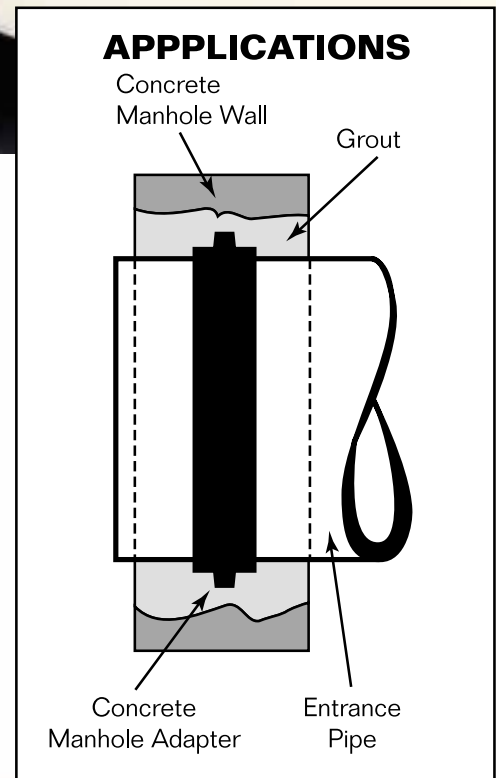
Due to the many varying factors that can influence the CMA's effectiveness as a seal, Fernco does not warrant this product as a positive water seal.

CMA's are available for 4, 6, 8, 10 and 12-inch pipe. CMA's in sizes larger than 12 inches are also available.

FERNCO[®]
PlumbQuik
www.fernco.com



CMA's	
4 CMA	4" (101mm)
6 CMA	6" (152mm)
8 CMA	8" (203mm)
10 CMA	10" (254mm)
12 CMA	12" (304mm)



US: 1-800-521-1283

CANADA: 1-800-265-7518



FERNCO DONUTS

Fernco Donuts are flexible PVC donut-shaped rings for compression sealing of sewer pipe joints and drain waste and vent connections such as sockets, hubs, bells and spigots. They offer all of the properties necessary to create a good, lasting joint.

Fernco Donuts are made from strong, resilient, chemical-resistant elastomeric PVC specially formulated for use as a sewer joint material. Because of the inertness and chemical resistance of the material, Fernco Donuts are impervious to soil conditions, sewage and water in the carrier pipes, and to normal sewer gases.

A bearing surface is provided by filling the annular space (between the pipes being joined) with the donut. This supports the spigot and distributes the earth load over a larger area of the external pipe.

The design and elastomeric material of the Fernco Donut both contribute to sewer joint permanence even under common conditions of ground movement and expansion and contraction of the pipes.

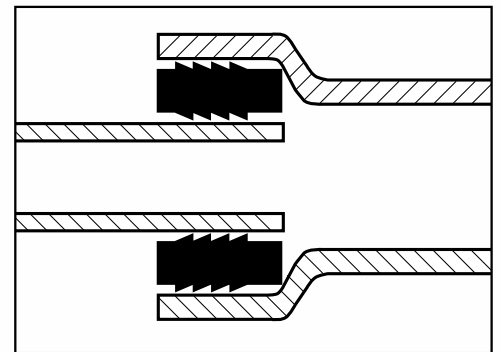
FERNCO[®]
PlumbQuick™

www.fernco.com

Sewer Pipe Compression Joint Sealers



- Provides an infiltration/exfiltration-proof seal for sewer pipe joints.
- Eliminate the use of cement or mortar for sewer pipe joints.
- Reduce the need for costly, hard-to-obtain fittings.
- Seal securely - resilient, flexes with ground movement.
- Adapt size to size or increasing size—1-1/4" through 12".



The donut is designed to provide several points of seal in order to accommodate possible irregularities in the pipe surfaces. If one seal-point is disturbed, the others will maintain the seal.

Sewer pipe companies do not manufacture their pipe to common dimensional standards. Instead, pipe is produced to the designs and dimensions best suited for each particular sewer system. Because of this, variations in dimensions of pipe bells, hubs and bores are simply too great to permit making a single universal connector.

Detailed information must be furnished when ordering donuts -
Either by pipe manufacturer or by pipe dimensions.

US: 1-800-521-1283

CANADA: 1-800-265-7518



FERNCO DONUTS

How To Order

If you do not know the part number, you can order by description; giving the size, material and type of connection you want to make. Donuts require specific information on the manufacturer of pipe. Our sales coordinators are trained to assist you. Donuts can also be ordered by dimensions.

Donuts seal by compression and have much less dimensional range than couplings. The bell, hub or socket dimensions must be given within 1/32" accuracy.

Consequently, Fernco Donuts are available in hundreds of sizes and configurations for use with most brands and types of piping material. Each is designed to fit the basic configuration and dimensions for the type of joint being made, based on the specifications received from various pipe producers . . . specifications which often are changed arbitrarily and without notice.

Caution: A donut that has too loose or too tight a fit could result in a bad joint. Contact Fernco for proper selection.

Important

Pressure test† before backfilling or concealing.



www.fernco.com

Typical Fernco Donut Installations

Same Size -
Different
Material



Same
Size -
Same
Material



Different
Size -
Same
Material



Different
Size -
Different
Material



How To Install

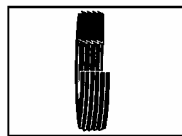
Tolerances of any pipe may be greater than the effective range of Donuts. Since Donuts seal by compression in the annular space between pipes being connected, considerable force † (30 PSI) must be exerted on the sealing surfaces during installation.

IMPORTANT NOTICE Concerning Installation Of Fernco Donuts:

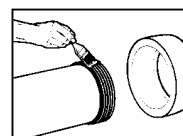
Please be aware that the tolerances of any pipe may be greater than the effective sealing range of this product. Donuts seal by compression in the annular space between the pipes being connected. Considerable force (30 psi) must be exerted on the sealing surfaces during installation of our compression joints for gravity sewer applications. If the donut installs with little effort or appears to be loose contact the factory. We are providing the best possible donut available according to the description of the pipes being connected as supplied by you. Our interpretation of this information is based on specifications we receive from the various pipe producers. However, these specifications are often changed arbitrarily without notifying us. It is important that you and the installer be aware that this product may not function as intended due to improper or insufficient description of the pipes being connected or changes in pipe dimension or design. We recommend that all connections be tested before back fill or enclosure. Installations and ordering instructions are available from FERNCO, INC.

DRIVE METHOD INSTALLATION

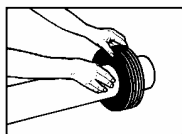
This method is used when the Donut has a wall thickness of 3/8" or greater.



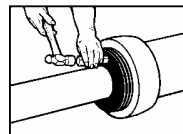
Donut quarter section view. Donut has thick wall—no stop flange.



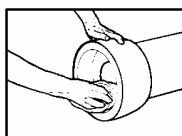
Lubricate the outside of the donut with a soap solution.



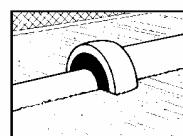
Insert spigot through center of donut approximately 1-1/2".



*Insert donut and spigot assembly into opening. Drive donut with hammer and wedge until fully seated.



Make sure the bell is clean and free of debris.



Test joint to engineer's specification. Pressure test † before backfilling or concealing. Bed and backfill properly.

For further information on Code approvals, contact Fernco Customer Service Department.

US: 1-800-521-1283

CANADA: 1-800-265-7518



QWIK TEES AND ELLS

Qwik Tees and Elbows are exceptionally flexible and extra long and are the ideal replacement for fittings cut out at the joint during alteration or repair. The connectors are easily installed by tightening the stainless steel clamps. Made from flexible PVC, Qwik-Tees and Qwik-Elbows come in four sizes (1-1/2", 2", 3" and 4") and fit all common household pipes including CI, steel, plastic, copper and lead. Reducing sizes are made with separately supplied bushings.

Installation Instructions

1. Cut pipe at joints as shown.
2. Slip pipe into fitting socket.
3. Securely tighten stainless steel bands. (60" lbs. torque.)
4. Support pipe on all sides of connection to keep weight off fitting.
5. Test for leaks before concealing

Note: Not recommended for underground connections. For drain, waste, and vent use only. In-wall pipe should be supported. Do not use in pressure applications.

Tees and elbows adapt to other pipe sizes with Qwik Bushings.

FERNCO
PlumbQuick
www.fernco.com

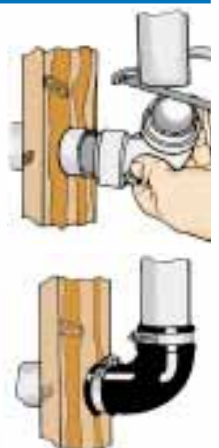
For In-Wall or Other Limited Space Connections



Product	Part No.	Size
TEES	QT-150	1-1/2" x 1-1/2" x 1-1/2" (38 x 38 x 38mm)
	QT-200	2" x 2" x 2" (50 x 50 x 50mm)
	QT-300	3" x 3" x 3" (76 x 76 x 76mm)
	QT-400	4" x 4" x 4" (101 x 101 x 101mm)
ELBOWS	QL-150	1-1/2" x 1-1/2" (38 x 38mm)
	QL-200	2" x 2" (50 x 50mm)
	QL-300	3" x 3" (76 x 76mm)
	QL-400	4" x 4" (101 x 101mm)
BUSHINGS	QB-215	2" x 1-1/2" (50 x 38mm)
	QB-32	3" x 2" (76 x 50mm)
	QB-43	4" x 3" (101 x 76mm)

To Repair Or Replace A Plastic Ell Or Tee

To repair this installed rigid elbow it is first necessary to cut out the elbow. After cutting, the portion of pipe that was welded into each socket is lost, and now a regular schedule 40 fitting can no longer be used in replacement unless the pipes are extended back to normal position. Also, the pipes are usually in a fixed position, making it difficult or impossible to get the necessary room required to solvent weld a new joint. The Qwik Elbows and Qwik Tees, however, are engineered with extra length to compensate for the shortened pipes.



US: 1-800-521-1283

CANADA: 1-800-265-7518



EZ TAP SEWER SADDLE

EZ Tap Sewer Saddle is a faster and less costly way for contractors and municipalities to make sewer main connections.

This new Fernco design uses a single band with a single draw point for a quick take-up system that speeds installation and reduces labor cost.

EZ Tap is built to last, too. Its band and frame work are made from durable 304 stainless steel. The saddle itself is manufactured from specially formulated elastomeric PVC that's highly resistant to caustic chemicals, bacteria and fungi to maintain a positive seal. In fact, the EZ Tap Sewer Saddle has been tested to 4.3 pounds of pressure with no leaking at all.

Applications:

EZ Tap is available in two sizes: EZ Tap 4 is used to connect 4-inch (101.6mm) lateral pipes to 6-inch (152.4mm) and larger sewer mains. EZ Tap 6 connects 6-inch (152.4mm) lateral pipes to 8-inch (203.2mm) and larger sewer mains.

By using additional lengths of Fernco's EZS-20 sewer saddle strap extenders, EZ Tap can fit any size of clay, concrete, AC/DI or CI/PL sewer mains.

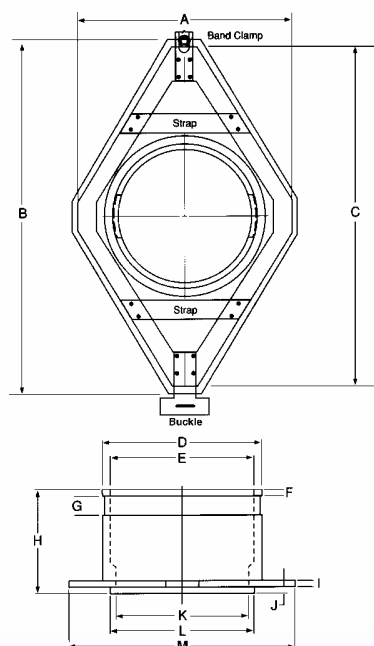
FERNCO
PlumbQuick™
www.fernco.com

For Sewer Main Connections



- Single band with single draw point for quick installation.
- Saddle resistant to caustic chemicals, bacteria and fungi.
- EZS-20 Strap extenders allow hook-up to any size pipe.
- 1 EZS-20 strap will accommodate an additional 6" to the diameter.

Specifications	EZ Tap 4 And EZ Tap 6
Frame Work	16 Gage 304 SS
Buckle	18 Gage 304 SS
Band Clamp Strap	22 Gage 304 SS
PVC Saddle	60-65 Duro 5/16 Saddle Thickness
Hose Clamp	All 300 Series Stainless Steel
Saddle	Ez Tap 4 fits all pipe material from 6" O.D. to 15.5" O.D. (E.Z. Tap 6 fits all 8" O.D. to 16.5" O.D. pipe material)
Coupling End	EZ Tap 4 fits all 4" SCH 40 PVC, SDR PVC, CI Service Weight, Hubless, Extra Heavy (EZ Tap 6 fits all 6")
Leak Test	Deflection tested at 5" at 4.3 PSI to be leak free
EZS-20 Strap	1 EZS-20 strap gives an additional 6" to the diameter



	EZ Tap 4	Ez Tap 6
A	7.40"	9.92"
B	11.00"	16.38"
C	10.77"	15.75"
D	5.10"	7.37"
E	4.35"	6.63"
F	0.23"	0.25"
G	0.64"	0.64"
H	3.73"	4.87"
I	0.29"	0.31"
J	0.31"	0.31"
K	4.00"	6.31"
L	4.38"	6.50"
M	7.75"	10.37"

US: 1-800-521-1283

CANADA: 1-800-265-7518



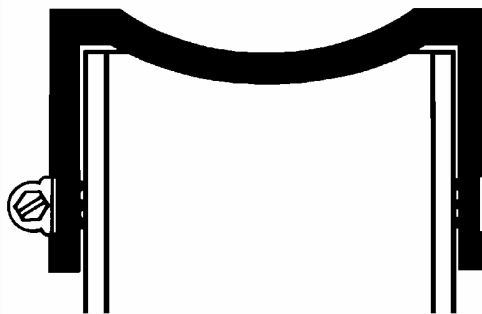
QWIK CAPS

Qwik Caps offer a quick, easy way to cap pipe ends, cleanouts and open test pipes. Made of flexible PVC, they're suitable for above-ground or underground use, on cast iron, steel, copper or plastic piping.

Qwik Caps are designed to fit all drain, waste, and vent pipe materials in a given nominal size. The convex face allows the cap to withstand greater pressure for testing purposes and minimizes ballooning.

To install, simply place over open end of pipe and tighten to 60" lbs. torque.

To Cap Pipe Ends, Cap For Testing or to Cap For Clean-Outs



Part No.	Size
QC-101	1-1/2" (38mm)
QC-102	2" (50mm)
QC-103	3" (76mm)
QC-104	4" (101mm)
QC-105	5" (127mm)
QC-106	6" (152mm)
QC-108	8" (203mm)

- Fast, easy installation
- Permanent or temporary
- For underground or above-ground use.
- Low cost, reusable.

FERNCO[®]
PlumbQuik
www.fernco.com

US: 1-800-521-1283



CANADA: 1-800-265-7518



STAINLESS STEEL CLAMPS

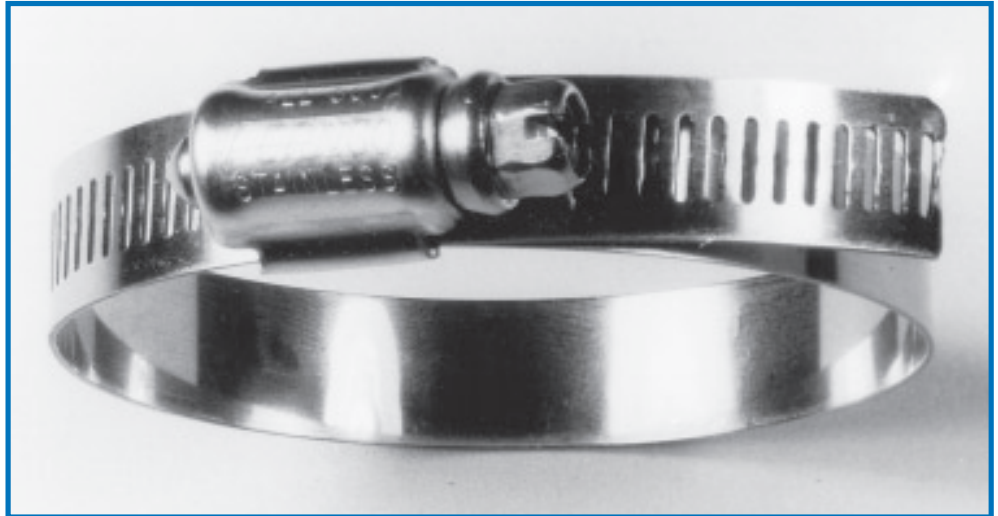
Housing Screw & Band Type 300 Stainless Steel

Series 300 Stainless Steel Clamps are corrosion-resistant and rustproof. Their inter-locked housing and band design strengthens under tension to ensure a positive seal.

Band housing and screw feature premium, all-stainless construction.

Bands have additional slots to accommodate greater dimensional range.

Hexagonal head screws are deep-slotted for fast, easy installation. Clamps cover diameters 1-5/16" to 20".



Clamp Number	For Diameters	Clamp Number	For Diameters
HAS 12	9/16" to 1-1/4"	HAS 104	5" to 7"
HAS 24	1-1/16" to 2"	HAS 116	7-1/4" to 9-1/4"
HAS 28	1-5/16" to 2-1/4"	HAS 128	6-1/2" to 8-1/2"
HAS 32	1-9/16" to 2-1/2"	HAS 140	7" to 9-1/4"
HAS 38	1-15/16" to 2-7/8"	HAS 152	8" to 10"
HAS 42	2-3/16" to 3-1/8"	HAS 164	8-3/4" to 10-3/4"
HAS 44	2-5/16" to 3-1/4"	HAS 184	10" to 12"
HAS 64	2-5/8" to 4-1/2"	HAS 196	10-3/4" to 12-3/4"
HAS 80	3-5/8" to 5-1/2"	HAS 212	11-3/4" to 13-3/4"
HAS 88	4-3/32" to 6"	HAS 248	14" to 16"
HAS 96	4-1/2" to 6-1/2"		

Series 316 Stainless Steel Clamps are available upon request. Please contact Fernco Customer Service Department.



www.fernco.com

US: 1-800-521-1283



CANADA: 1-800-265-7518

