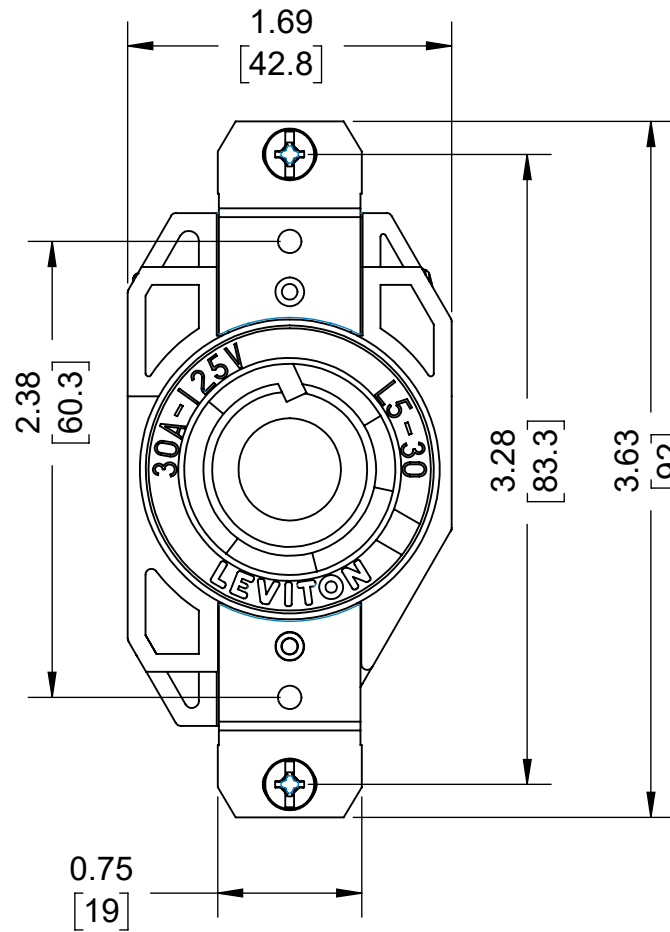
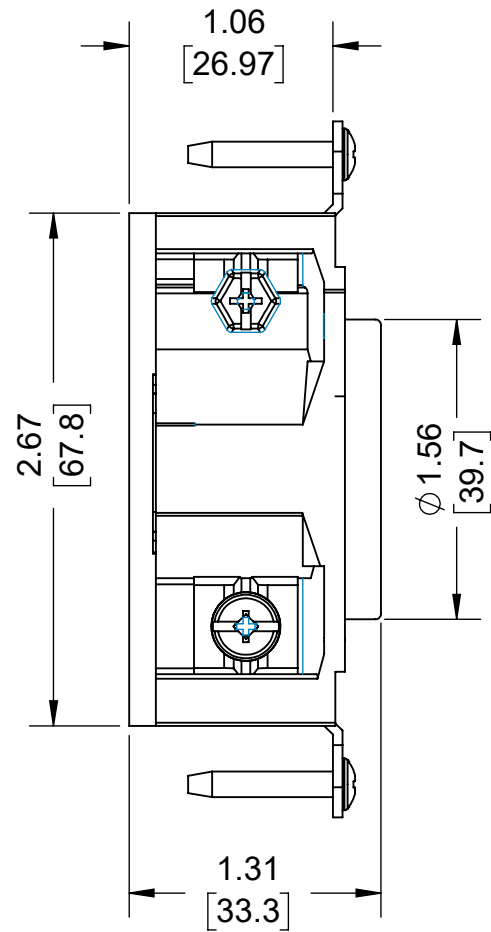


4

3

2

1



CATALOG #2610
 3 WIRE L5-30 V0 MAX
 FLUSH RECEPTACLE

UPPER VALUES = INCHES
 LOWER VALUES = MM

UNLESS OTHERWISE SPECIFIED: DO NOT SCALE DRAWING. ALL DIMENSIONS ARE IN INCHES. ALL ANGLES ARE IN DEGREES.		LEVITON		
TOLERANCES		TITLE: 2610 V0 MAX FR CATALOG DRAWING FOR NEMA L5-30		
INCH	METRIC	DWG NO. CATSTD-02610-000-D01		
.XX ± .01 .XXX ± .005	.X ± .2 mm .XX ± .1 mm			
ANGLES: ± 1/2°		SIZE	SCALE: 1:1	SHEET 1 OF 1
THIRD ANGLE PROJECTION		B	Copyright 2019. Unpublished. All Rights Reserved.	REV 1
ALL PRINTED COPIES ARE UNCONTROLLED				

4

3

2

1