

OS310U & VS310U Advanced Installation

Purpose

Describes how to install the OS310U or VS310U Motion Sensor in a 3Way switch configuration, where the light is located between the two switches.

Initial Configuration

The light load is located between the two 3Way switches as shown below in Figure 1. For simplicity the diagram does not show ground connection for the switch boxes.

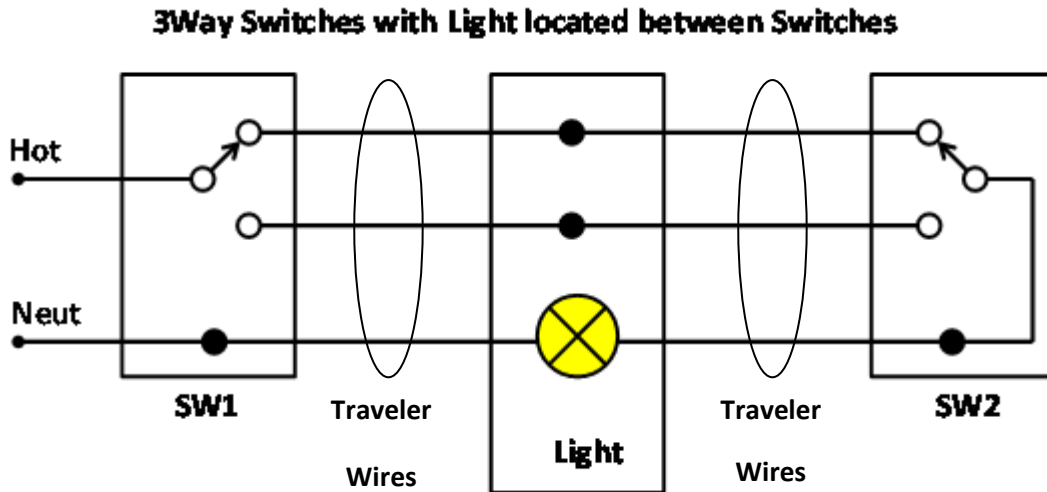
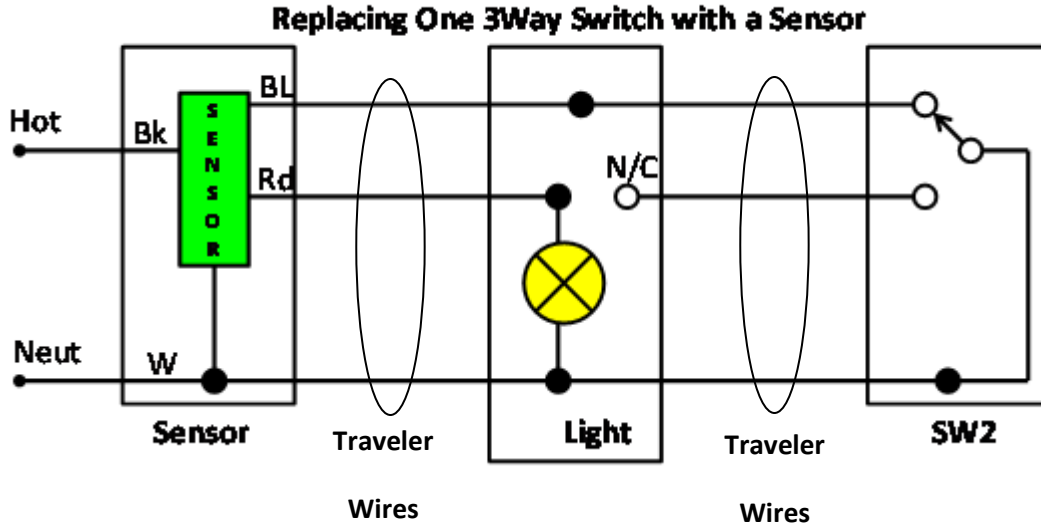


Figure 1

Replacement of Switch 1 with Motion Sensor

The first switch (SW1) is connected directly to the power (Hot /Neutral). Switch 1 is replaced with the sensor and is wired as shown in Fig 2.



Notes

- The sensor must be located in the position of Switch 1.
- Switch 2 must be rewired as shown. The second output of the 3Way Switch is not used.
- No connection is required to the second traveler wire that connects to Switch 2.
- For simplicity the ground connections are not shown. Care must be taken to ensure ground wires are properly connected as defined in the original product documentation.