

Combination USB charger with tamper resistant single receptacle

Project Name:	Prepared By:
Project Number:	Date:
Catalog Number:	Type:

Description

2-pole, 3-wire grounding
 15A, 125V/AC, 5V DC 700MA
 15A, 125V/AC, 5V DC 2.4A
 NEMA 5-15R



5-15R

Design features

- Standard AC receptacle with two USB charging ports for conveniently charging most electronic components
- Dual USB charging ports charge most compatible electronic devices that charge via a 5V power adapter
- Tamper resistant receptacles provide compliance with 2014 NEC® Article 406.12 which states that all 15A and 20A, 125V/AC receptacles installed in dwelling units must be tamper resistant
- Automatic grounding system eliminates need for bonding jumper in grounded metal enclosure and provides redundant measure of ground continuity where jumper is used
- Thermoplastic top and back-body are virtually unbreakable to deliver years of durable performance
- Steel mounting strap is zinc plated for added corrosion resistance
- Convenient patented built-in wire strippers speeds installation
- Backwire clamps on side terminals provide for easy installation of #12 and #14 AWG wire
- Triple wipe blade contacts and double wipe ground contacts to insure long-term plug retention
- Replaces a standard duplex receptacle
- Uses a decorator style wallplate



TR7740



TR7741

Table 1. Combination USB charger with TR receptacle

Catalog no.	Description	Rating				Color suffix
		A	V/AC	A	V/DC	
□ TR7740__	Combination USB charger with tamper resistant single receptacle	15	125	0.7	5	A, BK, GY, LA, V, W
□ TR7741__	Combination USB charger with tamper resistant single receptacle	15	125	2.4	5	A, B, BK, GY, LA, V, W

cULus Listed UL 498 and UL1310; NOM certified

Compliances, specifications and availability are subject to change without notice.



Powering Business Worldwide

Project Name:	Prepared By:
Project Number:	Date:
Catalog Number:	Type:

Applications

The Arrow Hart USB receptacle provides quick and convenient access to charge virtually any electronic accessory including smart phones, tablets, e-readers, cameras and MP3 players. The specification grade device is built to withstand the demands of residential and commercial environments while also providing code compliance with 2014 NEC® article 406.12 that requires tamper resistant receptacles in dwelling units.

Table 2. Specifications

Catalog no.	TR7740, TR7741 series
Device type	Combination USB TR single receptacle
Wiring type	Back & side wire
Testing & code compliance	cULus Listed to UL498 and UL1310
Environmental specifications	Flammability: Meets UL94 requirements; V0, 5VA rated Temperature rating: 0°C to 40°C (32°F to 104°F)
Electrical specifications: AC output	Dielectric voltage: Receptacle withstands 2000V per UL498 Temperature rise: Receptacle - max. 30°C (86°F) after 100 cycles of overload @ 150% of rated current (DC)
Electrical specifications: DC output	Switching frequency: Typical 66kHz Output voltage: Nominal 5V (+/- 10%) Protection: Current limiting and thermal shutdown protection Output current: Constant current maximum 0.7A (TR7740), 2.4A (TR7741)
AC input	
Mechanical specifications	Base device terminal accommodation: #14 or #12 AWG Voltage ratings: Permanently marked on device

Table 3. Materials

Catalog no.	TR7740, TR7741 series
Face	PVC
Base	PVC
Strap	0.045" thick steel, zinc plated
Auto ground clip	Phosphor bronze
Line contacts	0.030" thick triple wipe brass
Ground contact	0.030" thick double wipe brass
Terminal screws	#8-32 steel, brass plated; neutral screw nickel plated
Ground screw	#8-32 steel, zinc plated, green
Tamper resistant	Reliable Delrin® shutter assembly

Table 4. Color ordering information

For ordering devices, include Cat. no. followed by the color suffix: A (Almond), B (Brown), BK (Black), GY (Gray), LA (Light Almond), V (Ivory), W (White)

A	B	BK	GY	LA	V	W
Almond	Brown	Black	Gray	Lt. Almond	Ivory	White

Project Name:	Prepared By:
Project Number:	Date:
Catalog Number:	Type:

Wiring diagram

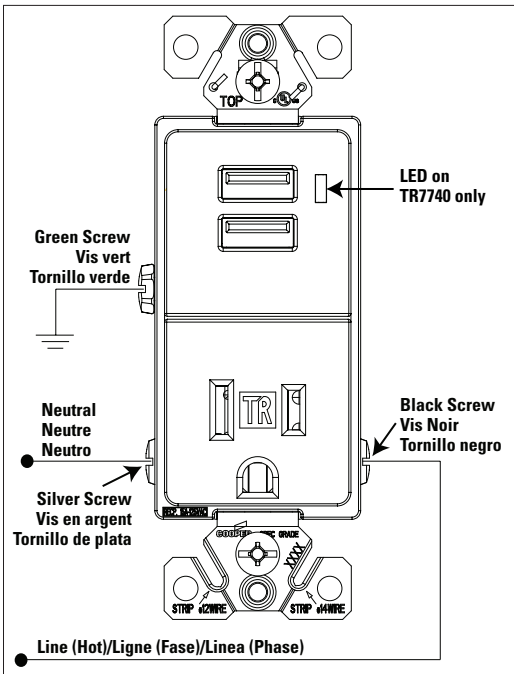


Figure 1. TR7740 and TR7741 line art wiring diagram

Product dimensions

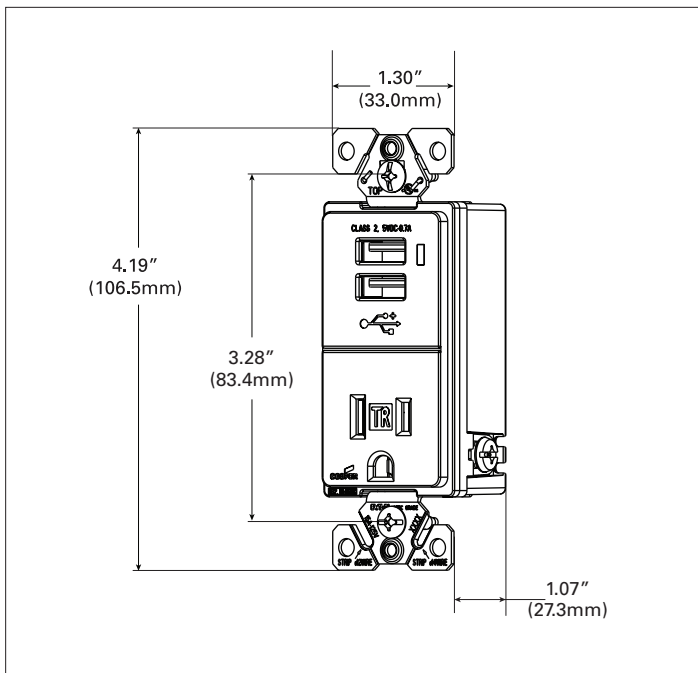


Figure 2. TR7740 line art with dimensions

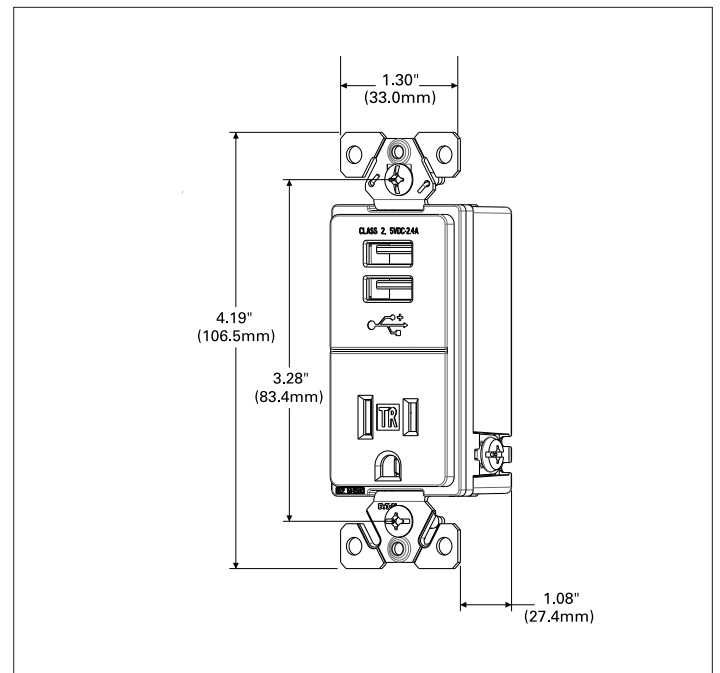


Figure 3. TR7741 line art with dimensions

Project Name:	Prepared By:
Project Number:	Date:
Catalog Number:	Type:

Certifications & compliances

Catalog no.		
TR7740	•	•
TR7741	•	•

KEY:  cULus  NOM

Compliances, specifications and availability are subject to change without notice.

Electrical Sector
203 Cooper Circle
Peachtree City, GA 30269
United States
Eaton.com
Eaton.com/wiringdevices

Electrical Sector
Canada Operations
5925 McLaughlin Road
Mississauga, Ontario, L5R 1B8
Canada
EatonCanada.ca
Eaton.com/wiringdevices

Electrical Sector
Mexico Operations
Carr. Tlalnepantla -
Cuautitlán Km 17.8 s/n
Col. Villa Jardín esq.
Cerrada 8 de Mayo
Cuautitlán, México CP 54800
México
Eaton.mx
Eaton.com/wiringdevices

Eaton
1000 Eaton Boulevard
Cleveland, OH 44122
United States
Eaton.com

© 2016 Eaton
All Rights Reserved
Printed in USA
Publication No. TD610020EN
March 2016

Eaton is a registered trademark.
All other trademarks are property
of their respective owners.