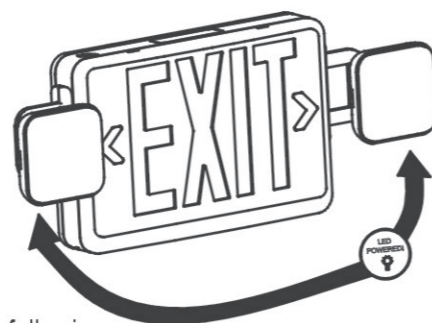




Model # 55502101

INSTALLATION INSTRUCTIONS FOR LED COMBO EXIT/EMERGENCY LIGHT

SAVE THESE INSTRUCTIONS IMPORTANT SAFEGUARDS:



When using electrical equipment, always adhere to basic safety precautions including the following:

IMPORTANT

The battery in this unit may not be fully charged. After electricity is connected to unit, let battery charge for at least 24 hours, then normal operation of this unit should take effect. To check, press TEST button. The emergency LED lamps should illuminate.

When re-lamping, use only LED lamps specified in the fixture. Using other lamp types may result in transformer damage or unsafe conditions.

READ AND FOLLOW ALL SAFETY INSTRUCTIONS

1. Do not use outdoors.
2. Equipment should be mounted securely in locations and at heights where it will not be readily subjected to tampering by unauthorized personnel.
3. Do not mount near gas or electric heaters.
4. Cap un used wires with enclosed wire nuts or other approved method.
5. Do not use this equipment for anything other than its intended use.
6. The use of accessory equipment not recommended by the manufacturer will void product listing and warranty and may cause an unsafe condition.
7. Disconnect AC power before servicing and installation.
8. Consult local building code for approved wiring and installation.
9. Use caution when servicing batteries.
10. Any service on this equipment should be performed by qualified personnel only.
11. Make sure wire terminations are secure and leads are properly tucked in appropriate wire channels.

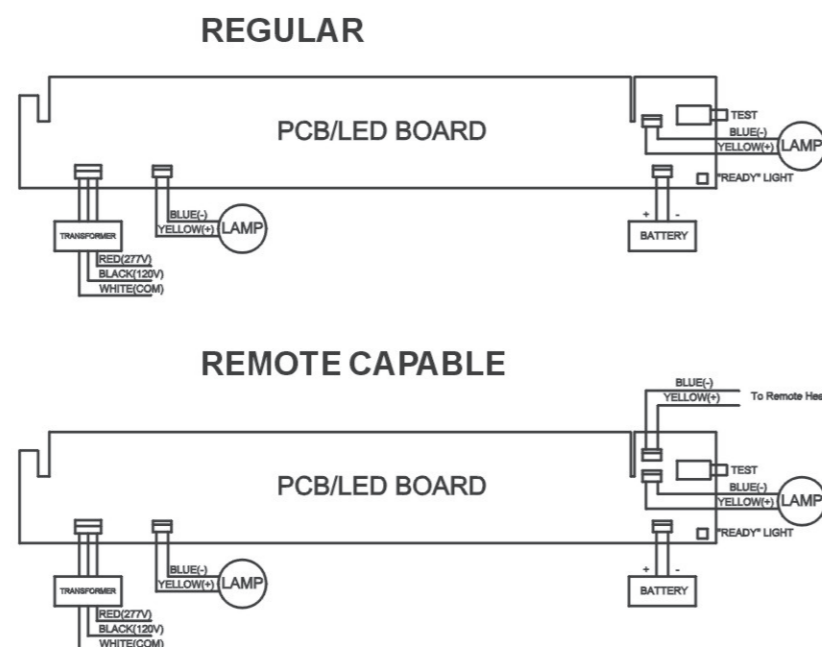
INSTALLATION (CEILING MOUNT)

1. Remove faceplate and set aside.
2. Connect 20-inch jumper leads to AC input leads in J-Box. Fasten J-Box bracket to J-Box. Use black wire for 120V. Use orange or red wire for 277V. White wire is common.
3. Fasten canopy to J-Box bracket.
4. Remove canopy hole cover on the top and snap housing to canopy.
5. Connect and trim input leads and slide through the canopy and connect to supply leads in the J-Box.
6. Connect battery only after continuous AC power can be provided to the unit.
7. Remove proper chevron(s) as required.
8. Secure face plate(s) to housing.

INSTALLATION (WALL MOUNT)

1. Remove faceplate and backplate and set aside.
2. Connect 20-inch jumper leads to AC input leads in J-Box. Fasten J-Box bracket to J-Box. Use black wire for 120V. Use orange or red wire for 277V. White wire is common.
3. Remove necessary knockouts and fasten back plate to J-Box cover.
4. Snap housing on to back plate.
5. Connect and trim input leads and slide through the hole in the backplate and connect to supply leads in J-Box.
6. Connect battery only after continuous AC power can be provided to the unit.
7. Secure face plate(s) to housing.

WIRING DIAGRAM



Connection of remote emergency light(If Applicable)

Use Yellow & Blue wire for remote fixture(s). Route wires outside of fixture separately or with AC supply wires.

Make sure to keep all wires out of the way of the EXIT LEGEND so there are no shadows.



Questions, problems, missing parts?
Call ETi SSL Customer Service
8:30 a.m. – 5 p.m., EST, Monday - Friday
1-855-ETI-SSL (1-855-384-7754)
www.etissl.com

Retain this manual for future use.

Imported by
ETi Solid State Lighting, Inc.
720 Corporate Woods Parkway
Vernon Hills, IL 60061

Made in China