



## OPTIONAL ATTACHMENTS & ACCESSORIES

### Accessories

|             |                                     |
|-------------|-------------------------------------|
| 35130407530 | U-Handle Kit                        |
| 99944200200 | SRM Shoulder Harness Kit            |
| 99944200411 | 20mm Blade Conversion Kit           |
| 99944200415 | Universal Blade Conversion Kit      |
| 99944200451 | U-Handle_Blade Conversion Combo Kit |
| 99944200455 | Barrier Bar                         |
| 99944200561 | U-Handle_Blade Conversion Combo Kit |
| 99944200661 | U-Handle Kit                        |
| SRAC-200    | Tiller/Cultivator Attachment        |

### Cutting Heads

|             |                                  |
|-------------|----------------------------------|
| 215511      | Pro Maxi-Cut Head                |
| 21560031    | SRM ECHOMATIC Pro Head           |
| 21560050    | Semi-Auto Head Assembly          |
| 21560056    | 2-Line Rapid Loader Head -- Echo |
| 21560060    | SRM Manual Dual Line Head        |
| 99944200220 | Heavy Duty Fixed Line Head       |
| 99944200221 | 3-Line Rapid Loader Head -- Echo |
| 99944200250 | SRM ECHOMATIC II Head            |
| 99944200900 | U-Turn Head                      |

### RePower Maintenance Kits

|       |             |
|-------|-------------|
| 90075 | Tune-Up Kit |
|-------|-------------|

### RePower Repair Kits

|       |                 |
|-------|-----------------|
| 90099 | Fuel System Kit |
|-------|-----------------|

## PARTS CATALOG

# SRM-311 Trimmer

**30.5cc**

### SERIAL NUMBERS

S/N: S19309001001 - S19309999999

**ECHO, INCORPORATED**

400 Oakwood Road Lake Zurich, Illinois 60047 USA

WWW.ECHO-USA.COM



# Table of Contents

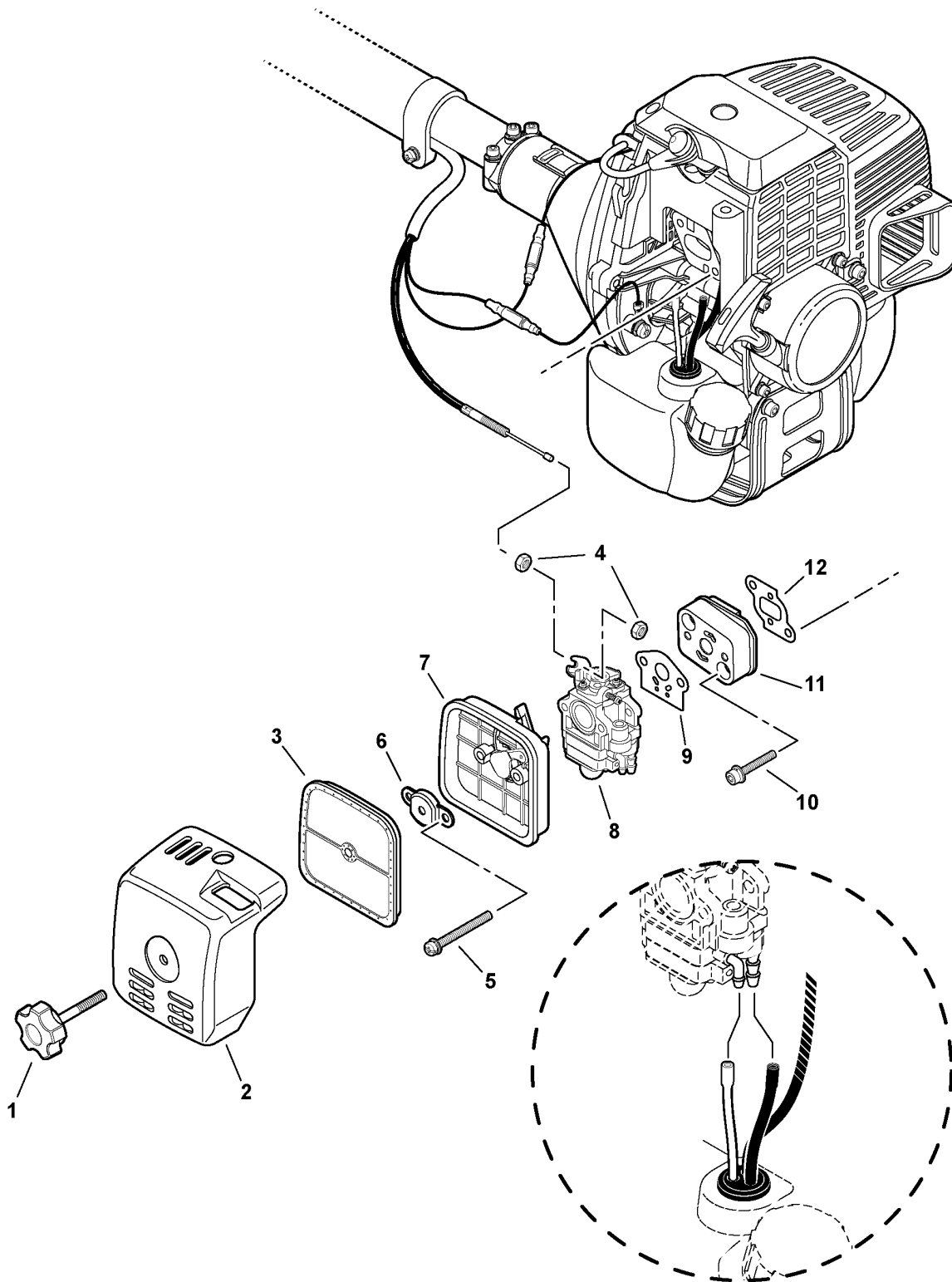
---

Click Any Diagram Description Below To View That Diagram.

## **SRM-311 S/N: 09001001 - 09999999**

|   |           |
|---|-----------|
| <b>Intake.....</b>  | <b>4</b>  |
| <b>Carburetor -- WYK-189.....</b>                           | <b>6</b>  |
| <b>Exhaust.....</b>   | <b>8</b>  |
| <b>Starter.....</b>   | <b>10</b> |
| <b>Fuel System.....</b>                                     | <b>12</b> |
| <b>Engine Cover, Fan Case, Clutch.....</b>                  | <b>14</b> |
| <b>Ignition.....</b>  | <b>16</b> |
| <b>Engine, Short Block -- SB1073.....</b>                   | <b>18</b> |
| <b>Plastic Shield.....</b>                                  | <b>20</b> |
| <b>Metal Shield.....</b>                                    | <b>22</b> |
| <b>Gear Case.....</b>                                       | <b>24</b> |
| <b>Main Pipe Assembly, Flexible Driveshaft.....</b>         | <b>26</b> |
| <b>Shoulder Harness.....</b>                                | <b>28</b> |
| <b>Front Handle.....</b>                                    | <b>30</b> |
| <b>Control Handle, Throttle Cable, Ignition Switch.....</b> | <b>32</b> |
| <b>Labels.....</b>  | <b>34</b> |
| <b>Gasket Kit -- P021006882.....</b>                        | <b>36</b> |
| <b>Tools.....</b>   | <b>38</b> |
| <br>  |           |
| <b>Part Number Index.....</b>                               | <b>40</b> |
| <b>Part Description Index.....</b>                          | <b>41</b> |

***This Page Intentionally Left Blank***

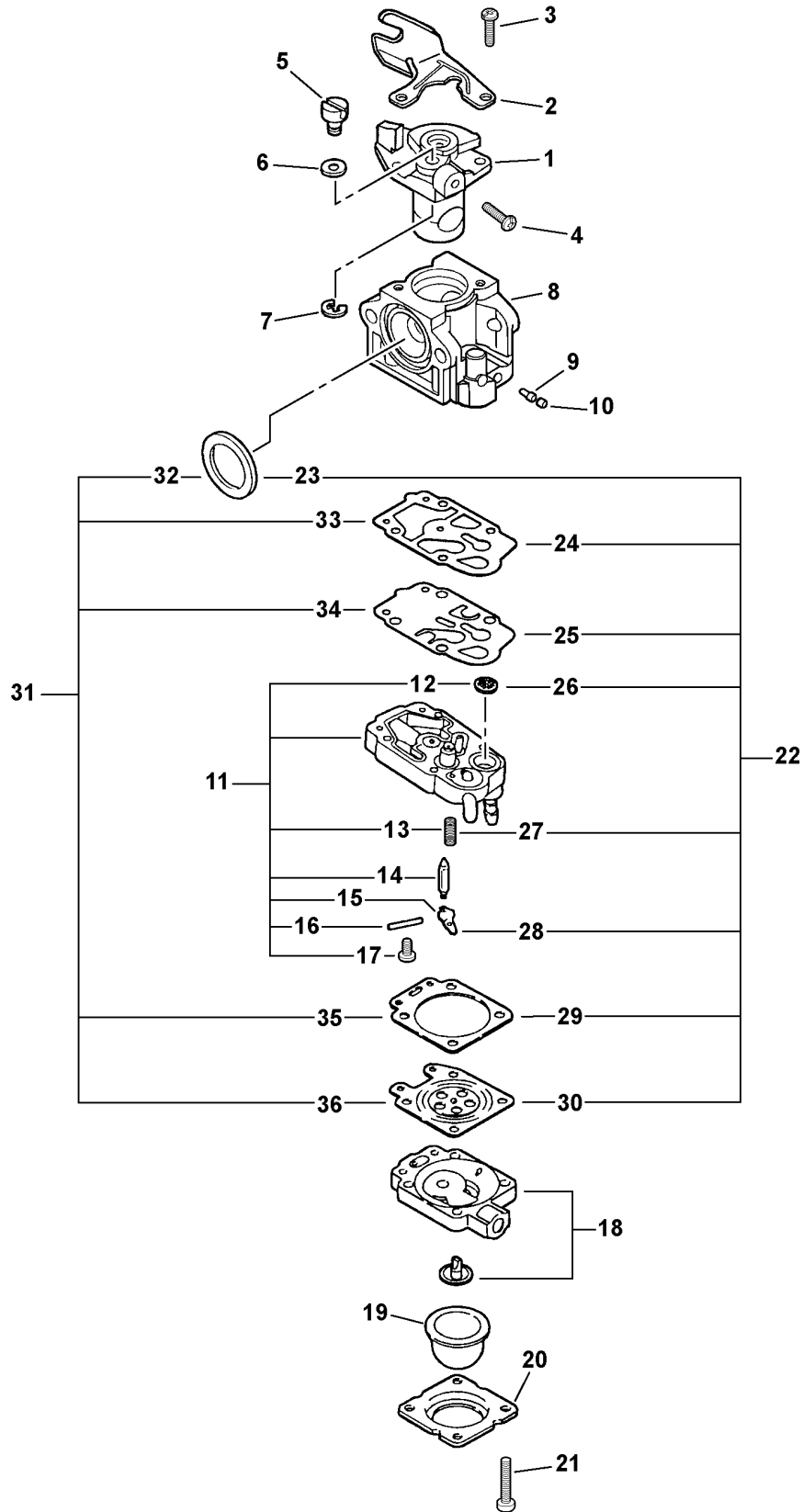


005 0045 000

| ITEM | PART NUMBER | QTY | DESCRIPTION                 | REMARKS   |
|------|-------------|-----|-----------------------------|---|
| 1    | 13040652131 | 1   | KNOB, FASTENER              |   |
| 2    | 13031357731 | 1   | LID, AIR CLEANER            |   |
| 3    | 13031051830 | 1   | FILTER, AIR                 |   |
| 4    | 90050200006 | 2   | NUT 6                       |   |
| 5    | 90024205060 | 2   | SCREW 5X60                  |   |
| 6    | 12901157731 | 1   | PLATE, PREVENT <sup>1</sup> |   |
| 7    | P021001430  | 1   | CASE, AIR CLEANER           |   |
| 8    | -----       | 1   | CARBURETOR                  | See Carburetor Diagram For Additional Information |
| 9    | 13001013410 | 1   | GASKET, INTAKE <sup>2</sup> |   |
| 10   | 90016205025 | 2   | SCREW 5X25                  |   |
| 11   | A200000150  | 1   | INSULATOR                   |   |
| 12   | 13001055930 | 1   | GASKET, INTAKE <sup>2</sup> |   |

**Footnotes**

- 1:** Also Included In REPOWER TUNE-UP KIT
- 2:** Also Included In GASKET KIT

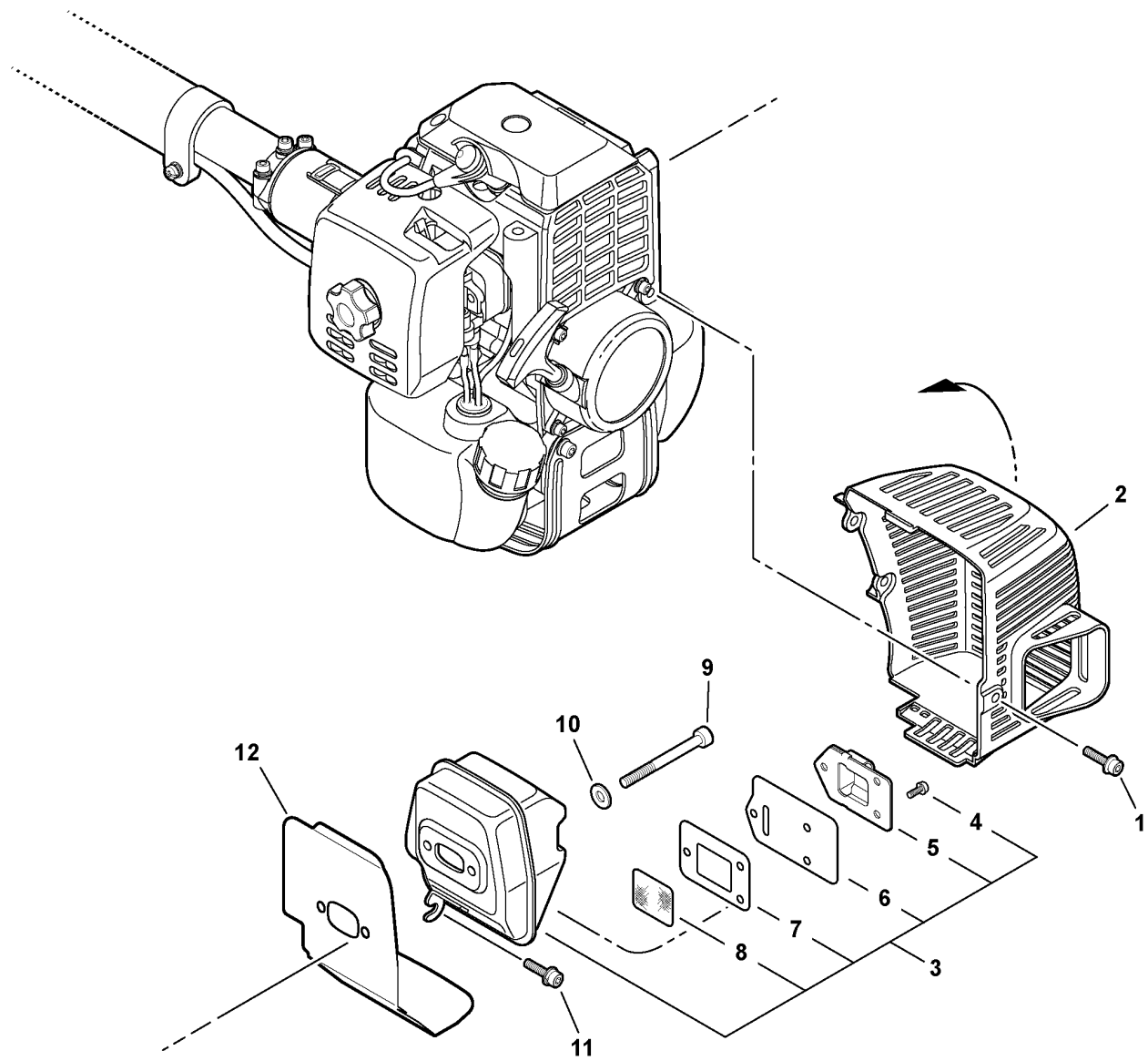


WYK189 0000 000

| ITEM      | PART NUMBER | QTY | DESCRIPTION                     | REMARKS              |
|-----------|-------------|-----|---------------------------------|----------------------|
|           | A021000750  | 1   | CARBURETOR -- WYK-189           |                      |
| <b>1</b>  | -----       | 1   | THROTTLE VALVE ASY <sup>1</sup> |                      |
| <b>2</b>  | P003000180  | 1   | BRACKET, CABLE                  |                      |
| <b>3</b>  | 12311440630 | 2   | SCREW, CABLE BRACKET            |                      |
| <b>4</b>  | 12313440030 | 1   | SCREW, IDLE ADJUST              |                      |
| <b>5</b>  | 12317245130 | 1   | SWIVEL                          |                      |
| <b>6</b>  | 12314954230 | 1   | WASHER                          |                      |
| <b>7</b>  | 12317307930 | 1   | CLIP                            |                      |
| <b>8</b>  | -----       | 1   | BODY, CARBURETOR <sup>1</sup>   |                      |
| <b>9</b>  | P003001130  | 1   | NEEDLE - HIGH SPEED             |                      |
| <b>10</b> | A259000000  | 1   | CAP, LIMITER                    |                      |
| <b>11</b> | 12317905560 | 1   | PUMP BODY ASY                   | INCLUDES ITEMS 12-17 |
| <b>12</b> | -----       | 1   | SCREEN, INLET                   |                      |
| <b>13</b> | 12312205560 | 1   | SPRING, METERING LEVER          |                      |
| <b>14</b> | -----       | 1   | VALVE, INLET NEEDLE             |                      |
| <b>15</b> | -----       | 1   | LEVER, METERING                 |                      |
| <b>16</b> | 12313803930 | 1   | PIN, METERING LEVER             |                      |
| <b>17</b> | 12313905560 | 1   | SCREW, METERING LEVER PIN       |                      |
| <b>18</b> | 12318005560 | 1   | BODY, AIR PURGE                 |                      |
| <b>19</b> | 12318140630 | 1   | BULB, PURGE                     |                      |
| <b>20</b> | 12314205560 | 1   | COVER, PURGE PUMP               |                      |
| <b>21</b> | 12311005560 | 4   | SCREW, PURGE COVER              |                      |
| <b>22</b> | P003000660  | 1   | REPAIR KIT                      | INCLUDES ITEMS 23-30 |
| <b>23</b> | -----       | 1   | PACKING, RING                   |                      |
| <b>24</b> | -----       | 1   | GASKET, PUMP                    |                      |
| <b>25</b> | -----       | 1   | DIAPHRAGM, PUMP                 |                      |
| <b>26</b> | -----       | 1   | SCREEN, INLET                   |                      |
| <b>27</b> | -----       | 1   | VALVE, INLET NEEDLE             |                      |
| <b>28</b> | -----       | 1   | LEVER, METERING                 |                      |
| <b>29</b> | -----       | 1   | GASKET, METERING DIAPHRAGM      |                      |
| <b>30</b> | -----       | 1   | METERING, DIAPHRAGM             |                      |
| <b>31</b> | P003000650  | 1   | GASKET/DIAPHRAGM KIT            | INCLUDES ITEMS 32-36 |
| <b>32</b> | -----       | 1   | PACKING, RING                   |                      |
| <b>33</b> | -----       | 1   | GASKET, PUMP                    |                      |
| <b>34</b> | -----       | 1   | DIAPHRAGM, PUMP                 |                      |
| <b>35</b> | -----       | 1   | GASKET, METERING DIAPHRAGM      |                      |
| <b>36</b> | -----       | 1   | METERING, DIAPHRAGM             |                      |

**Footnotes**

1: NOT AVAILABLE SEPARATELY

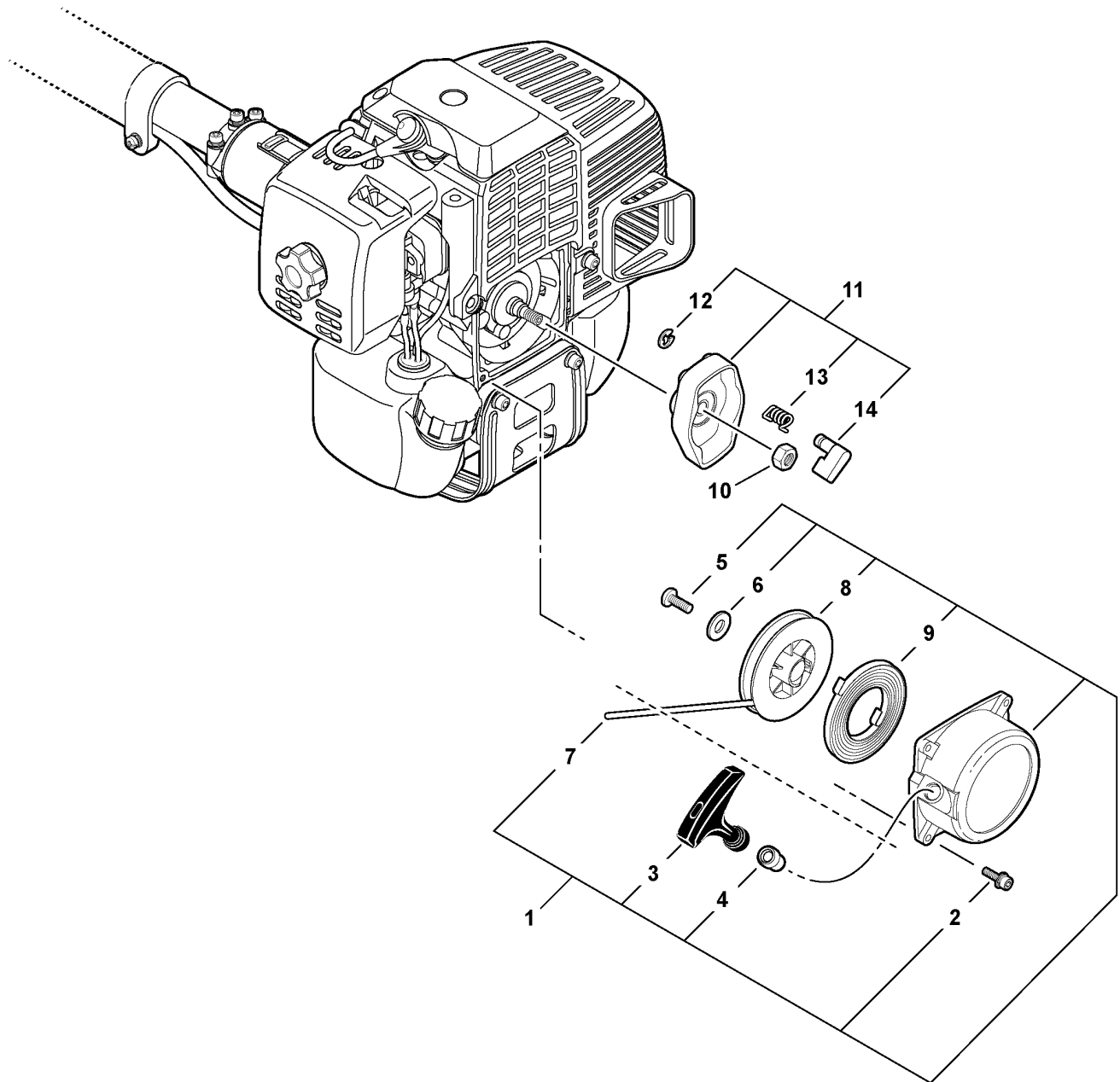


006 0052 00B

| ITEM | PART NUMBER | QTY | DESCRIPTION                  | REMARKS            |
|------|-------------|-----|------------------------------|--------------------|
| 1    | 90010605014 | 3   | SCREW 5X14                   |                    |
| 2    | A320000100  | 1   | COVER, MUFFLER               |                    |
| 3    | P021006811  | 1   | MUFFLER ASY                  | INCLUDES ITEMS 4-8 |
| 4    | 9136704012  | 3   | SCREW 4X12                   |                    |
| 5    | A313000470  | 1   | GUIDE, EXHAUST               |                    |
| 6    | V104000460  | 1   | GASKET, EXHAUST <sup>1</sup> |                    |
| 7    | V104000520  | 1   | GASKET, EXHAUST <sup>1</sup> |                    |
| 8    | 14586240630 | 1   | SCREEN, MUFFLER              |                    |
| 9    | 90010505060 | 2   | SCREW 5X60                   |                    |
| 10   | 90060000005 | 2   | WASHER 5                     |                    |
| 11   | 90016205012 | 1   | SCREW 5X12                   |                    |
| 13   | V104000490  | 1   | SHIELD, MUFFLER <sup>1</sup> |                    |

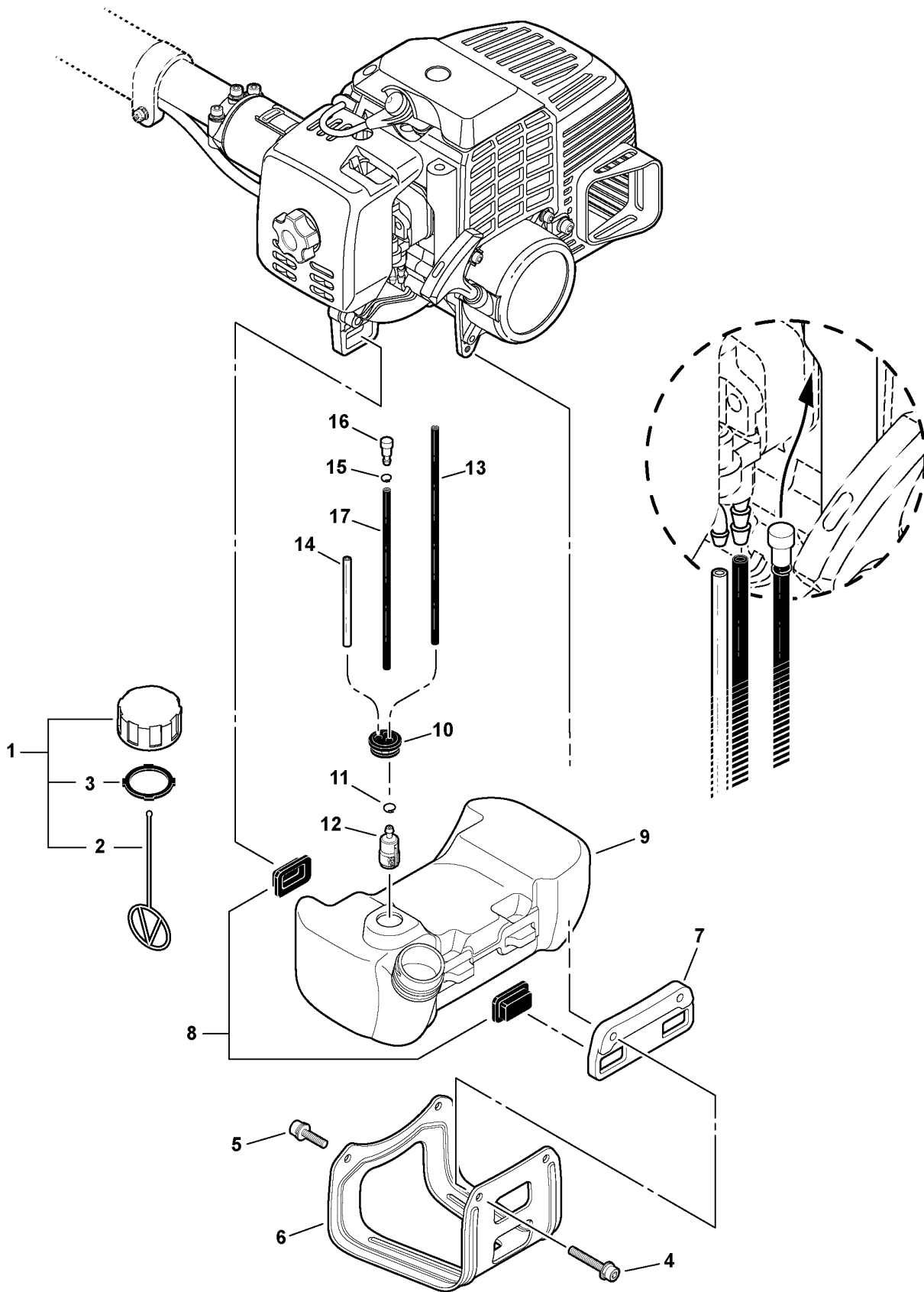
**Footnotes**

<sup>1</sup>: Also Included In GASKET KIT



004 0046 000

| ITEM | PART NUMBER | QTY | DESCRIPTION             | REMARKS                          |
|------|-------------|-----|-------------------------|----------------------------------|
| 1    | A051000160  | 1   | STARTER, RECOIL         | INCLUDES ITEMS 3-9               |
| 2    | 90016204014 | 4   | SCREW 4X14              |                                  |
| 3    | 17722811120 | 1   | GRIP, STARTER           |                                  |
| 4    | 17722742030 | 1   | GUIDE, ROPE             |                                  |
| 5    | 17723640630 | 1   | SCREW                   |                                  |
| 6    | 17721441030 | 1   | WASHER                  |                                  |
| 7    | 17722601110 | 1   | ROPE, STARTER - 4X950mm | REPOWER BULK OPTION: 99944450000 |
| 8    | 17721543130 | 1   | DRUM, STARTER           |                                  |
| 9    | 17722040630 | 1   | SPRING, REWIND          |                                  |
| 10   | 90050200008 | 1   | NUT 8                   |                                  |
| 11   | 17720241030 | 1   | STARTER PAWL ASY        | INCLUDES ITEMS 12-14             |
| 12   | 90070000004 | 1   | E-RING 4                |                                  |
| 13   | 17723440630 | 1   | SPRING, RETURN          |                                  |
| 14   | 17721840630 | 1   | PAWL, STARTER           |                                  |

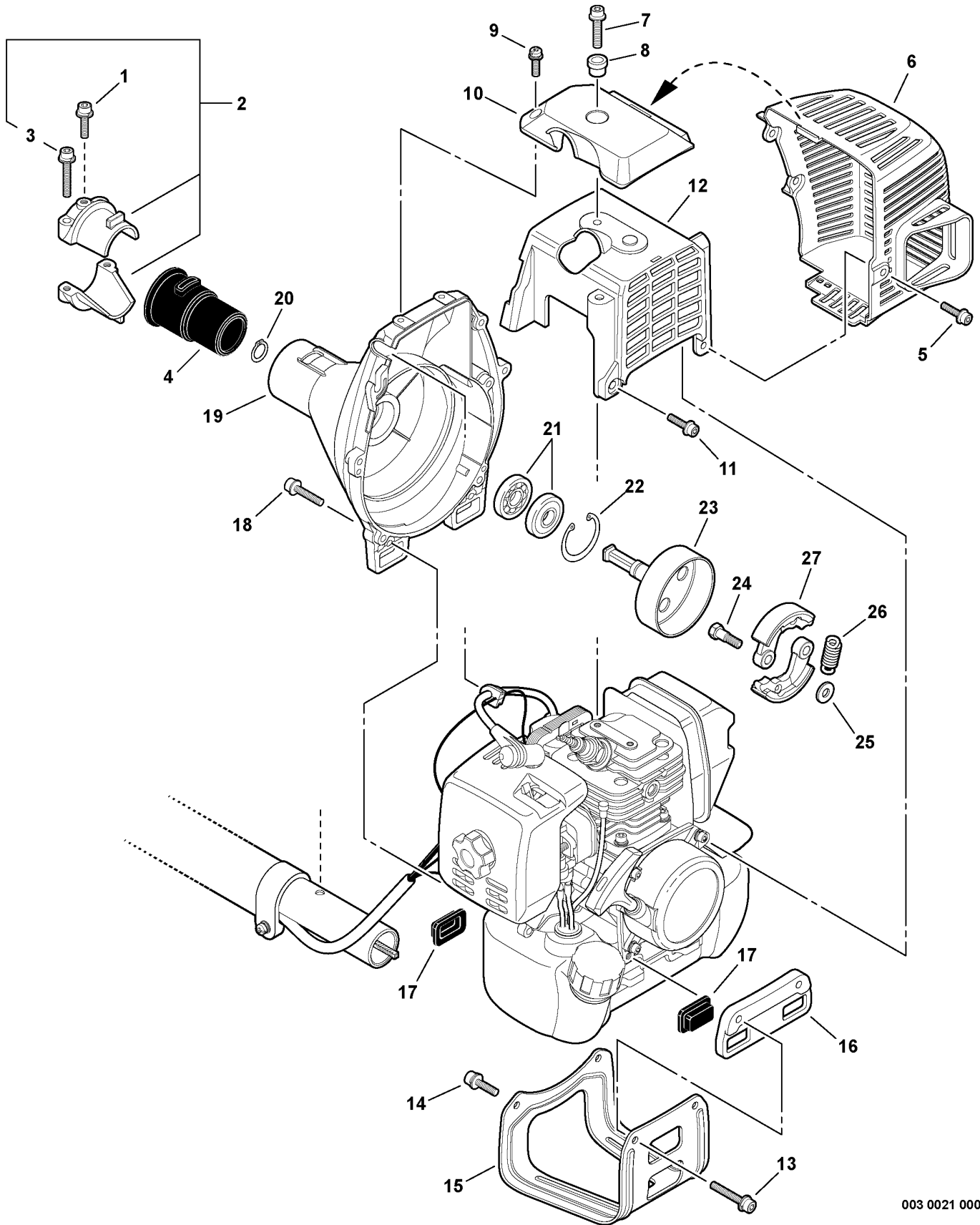


002 0044 000

| ITEM | PART NUMBER | QTY | DESCRIPTION                          | REMARKS                    |
|------|-------------|-----|--------------------------------------|----------------------------|
| 1    | 13100455530 | 1   | CAP ASY                              | INCLUDES ITEMS 2-3         |
| 2    | 13105156030 | 1   | CONNECTOR, CAP                       |                            |
| 3    | 13101655830 | 1   | GASKET, CAP                          |                            |
| 4    | 90016205020 | 2   | SCREW 5X20                           |                            |
| 5    | 90016205012 | 2   | SCREW 5X12                           |                            |
| 6    | 30511055830 | 1   | STAND                                |                            |
| 7    | 13191055430 | 1   | BRACKET, FUEL TANK                   |                            |
| 8    | 13192055430 | 4   | CUSHION, FUEL TANK                   |                            |
| 9    | A350000171  | 1   | TANK, FUEL                           |                            |
| 10   | V137000030  | 1   | GROMMET <sup>1</sup>                 |                            |
| 11   | 13201309820 | 1   | CLIP <sup>1</sup>                    |                            |
| 12   | 13120507320 | 1   | FILTER, FUEL <sup>2</sup>            |                            |
| 13   | V471001190  | 1   | PIPE, FUEL - 3X5X180mm <sup>1</sup>  | REPOWER BULK OPTION: 90014 |
| 14   | 13271750430 | 1   | PIPE, RETURN - 3X6X70mm <sup>1</sup> | REPOWER BULK OPTION: 90017 |
| 15   | 13011100530 | 1   | CLIP                                 |                            |
| 16   | A356000030  | 1   | VENT ASY                             |                            |
| 17   | V471000600  | 1   | PIPE, VENT - 3X5X120mm <sup>1</sup>  | REPOWER BULK OPTION: 90014 |

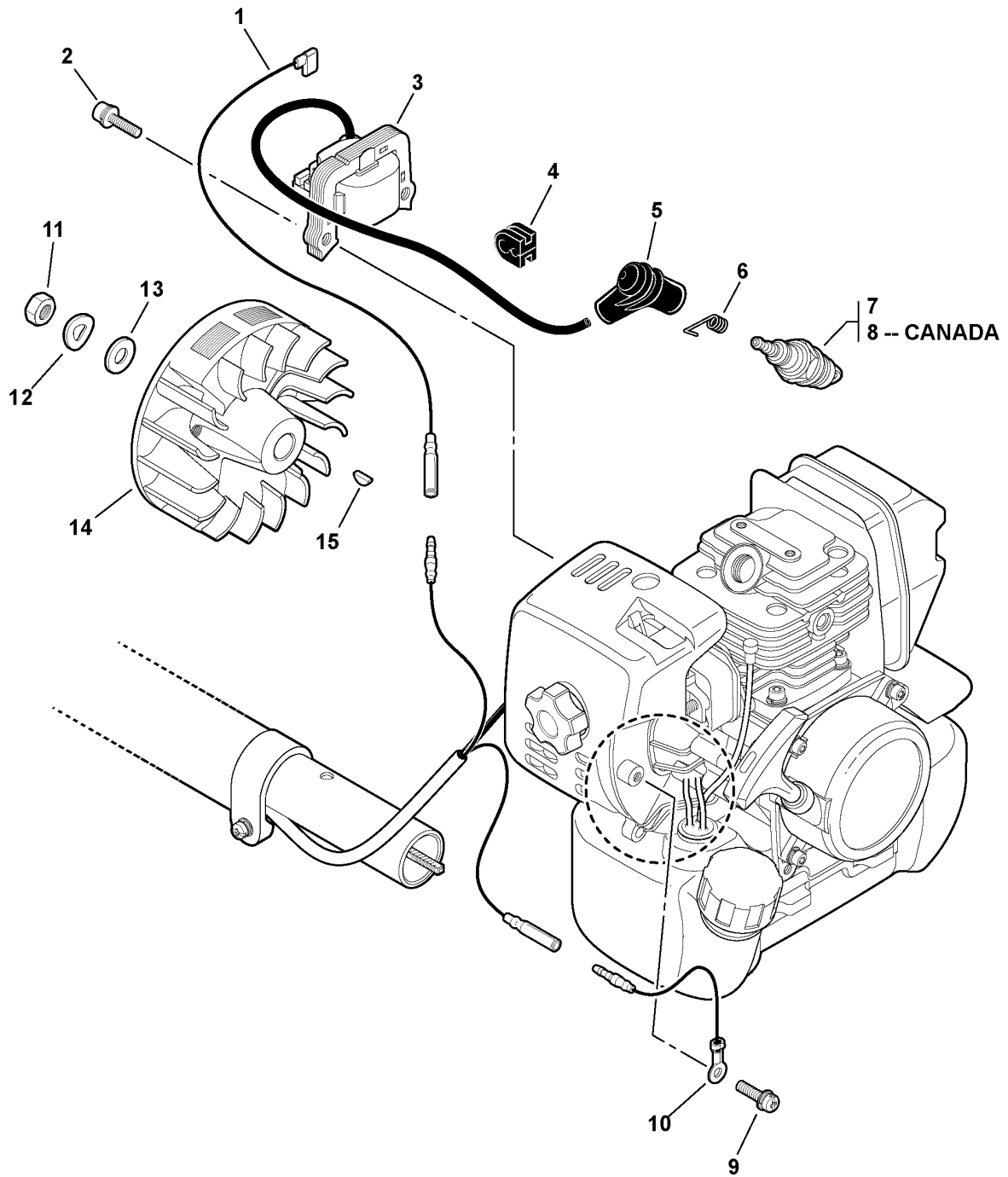
**Footnotes**

- 1: Also Included In REPOWER FUEL SYSTEM KIT  
 2: Also Included In REPOWER FUEL SYSTEM KIT & TUNE-UP KIT



003 0021 000

| ITEM | PART NUMBER | QTY | DESCRIPTION           | REMARKS         |
|------|-------------|-----|-----------------------|-----------------|
| 1    | 90016205012 | 1   | SCREW 5X12            |                 |
| 2    | 61090355430 | 1   | HOLDER KIT            | INCLUDES ITEM 3 |
| 3    | 90016205025 | 2   | SCREW 5X25            |                 |
| 4    | 61091055730 | 1   | CUSHION               |                 |
| 5    | 90010605014 | 3   | SCREW 5X14            |                 |
| 6    | A320000100  | 1   | COVER, MUFFLER        |                 |
| 7    | 90010605020 | 1   | SCREW 5X20            |                 |
| 8    | V353000020  | 1   | COLLAR 5              |                 |
| 9    | 90023804014 | 2   | SCREW 4X14            |                 |
| 10   | A162000030  | 1   | GUARD, TOP            |                 |
| 11   | 90010605012 | 1   | SCREW 5X12            |                 |
| 12   | A160000370  | 1   | COVER, ENGINE -- GRAY |                 |
| 13   | 90016205020 | 2   | SCREW 5X20            |                 |
| 14   | 90016205012 | 2   | SCREW 5X12            |                 |
| 15   | 30511055830 | 1   | STAND                 |                 |
| 16   | 13191055430 | 1   | BRACKET, FUEL TANK    |                 |
| 17   | 13192055430 | 4   | CUSHION, FUEL TANK    |                 |
| 18   | 90016205020 | 4   | SCREW 5X20            |                 |
| 19   | A172000210  | 1   | COVER, FAN            |                 |
| 20   | 90070100012 | 1   | CIRCLIP 12            |                 |
| 21   | 90080796001 | 2   | BEARING, BALL - 6001  |                 |
| 22   | 90070200028 | 1   | CIRCLIP 28            |                 |
| 23   | 17500555730 | 1   | DRUM, CLUTCH          |                 |
| 24   | 17504646430 | 2   | BOLT, CLUTCH          |                 |
| 25   | 17504805530 | 2   | WASHER                |                 |
| 26   | 17501849932 | 1   | SPRING, CLUTCH        |                 |
| 27   | A553000000  | 2   | SHOE, CLUTCH          |                 |

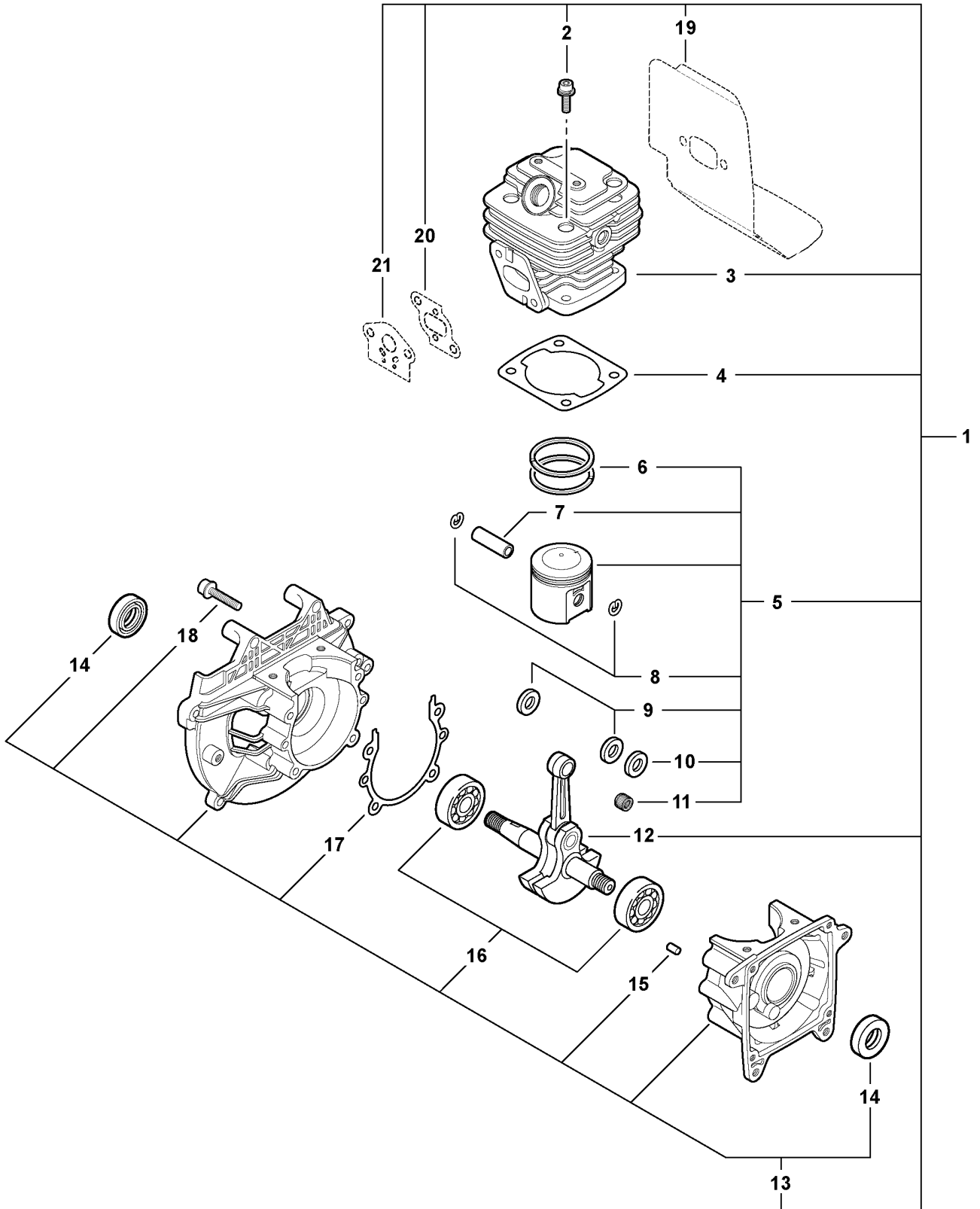


007 0046 000

| ITEM | PART NUMBER | QTY | DESCRIPTION                        | REMARKS       |
|------|-------------|-----|------------------------------------|---------------|
| 1    | 16201055630 | 1   | LEAD, IGNITION                     |               |
| 2    | 90016205020 | 2   | SCREW 5X20                         |               |
| 3    | 15262655730 | 1   | COIL, IGNITION                     |               |
| 4    | 15611240630 | 1   | GROMMET                            |               |
| 5    | 15901203433 | 1   | CAP, SPARK PLUG                    |               |
| 6    | 15901103432 | 1   | TERMINAL, SPARK PLUG CAP           |               |
| 7    | 15901019830 | 1   | SPARK PLUG -- BPM-8Y <sup>1</sup>  |               |
| 8    | A425000000  | 1   | SPARK PLUG -- BPMR-8Y <sup>1</sup> | CANADA MODELS |
| 9    | 90023805010 | 1   | SCREW 5X10                         |               |
| 10   | 16201452930 | 1   | LEAD, GROUND                       |               |
| 11   | 90050200008 | 1   | NUT 8                              |               |
| 12   | 90060500008 | 1   | SPRING WASHER 8                    |               |
| 13   | 90060000008 | 1   | WASHER 8                           |               |
| 14   | 15280155430 | 1   | FLYWHEEL                           |               |
| 15   | 10014212330 | 1   | WOODRUFF KEY                       |               |

**Footnotes**

**1:** Also Included In REPOWER TUNE-UP KIT

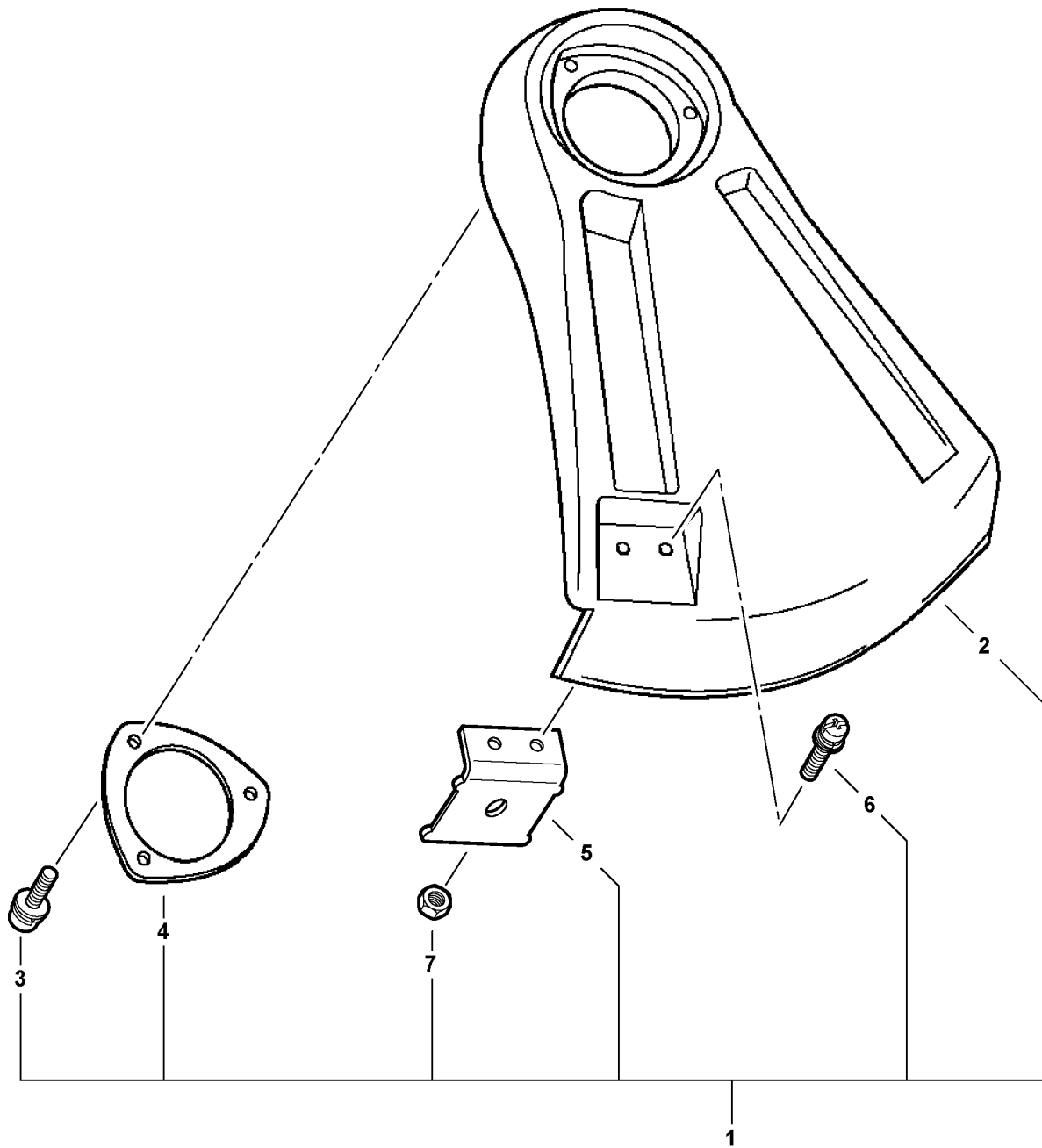


SB1073 0000 000

| ITEM | PART NUMBER | QTY | DESCRIPTION                    | REMARKS              |
|------|-------------|-----|--------------------------------|----------------------|
| 1    | SB1073      | 1   | SHORT BLOCK                    | INCLUDES ITEMS 2-21  |
| 2    | 90016205020 | 4   | SCREW 5X20                     |                      |
| 3    | A130000560  | 1   | CYLINDER                       |                      |
| 4    | V100000141  | 1   | GASKET, CYLINDER <sup>1</sup>  |                      |
| 5    | P021006802  | 1   | PISTON KIT                     | INCLUDES ITEMS 6-11  |
| 6    | A101000080  | 2   | RING, PISTON                   |                      |
| 7    | 10001327430 | 1   | PIN, PISTON                    |                      |
| 8    | 10001503931 | 2   | CIRCLIP, PISTON PIN            |                      |
| 9    | 10001453630 | 2   | SPACER, PISTON PIN             |                      |
| 10   | V306000121  | 1   | WASHER                         |                      |
| 11   | 10001216131 | 1   | BEARING, NEEDLE                |                      |
| 12   | A011000301  | 1   | CRANKSHAFT ASY                 |                      |
| 13   | P021006980  | 1   | CRANKCASE KIT                  | INCLUDES ITEMS 14-18 |
| 14   | 10021305530 | 2   | OIL SEAL                       |                      |
| 15   | V622000020  | 4   | DOWEL PIN                      |                      |
| 16   | 9403536201  | 2   | BEARING, BALL - 6201           |                      |
| 17   | 10024255430 | 1   | GASKET, CRANKCASE <sup>1</sup> |                      |
| 18   | 90016205030 | 4   | SCREW 5X30                     |                      |
| 19   | -----       | 1   | SHIELD, EXHAUST <sup>2</sup>   |                      |
| 20   | -----       | 1   | GASKET, INTAKE <sup>3</sup>    |                      |
| 21   | -----       | 2   | GASKET, INTAKE <sup>3</sup>    |                      |

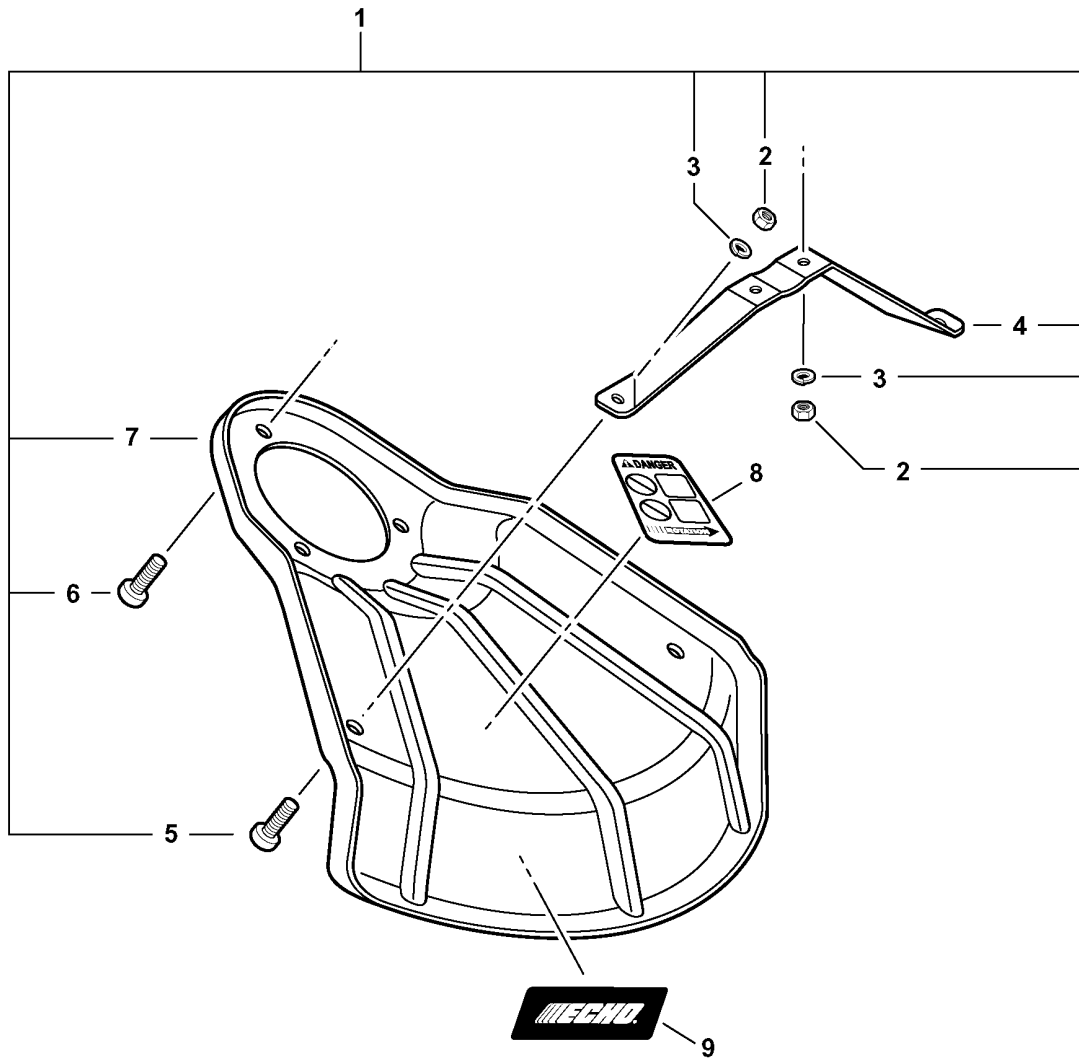
**Footnotes**

- 1: Also Included In GASKET KIT
- 2: See Pages EXHAUST
- 3: See Pages INTAKE



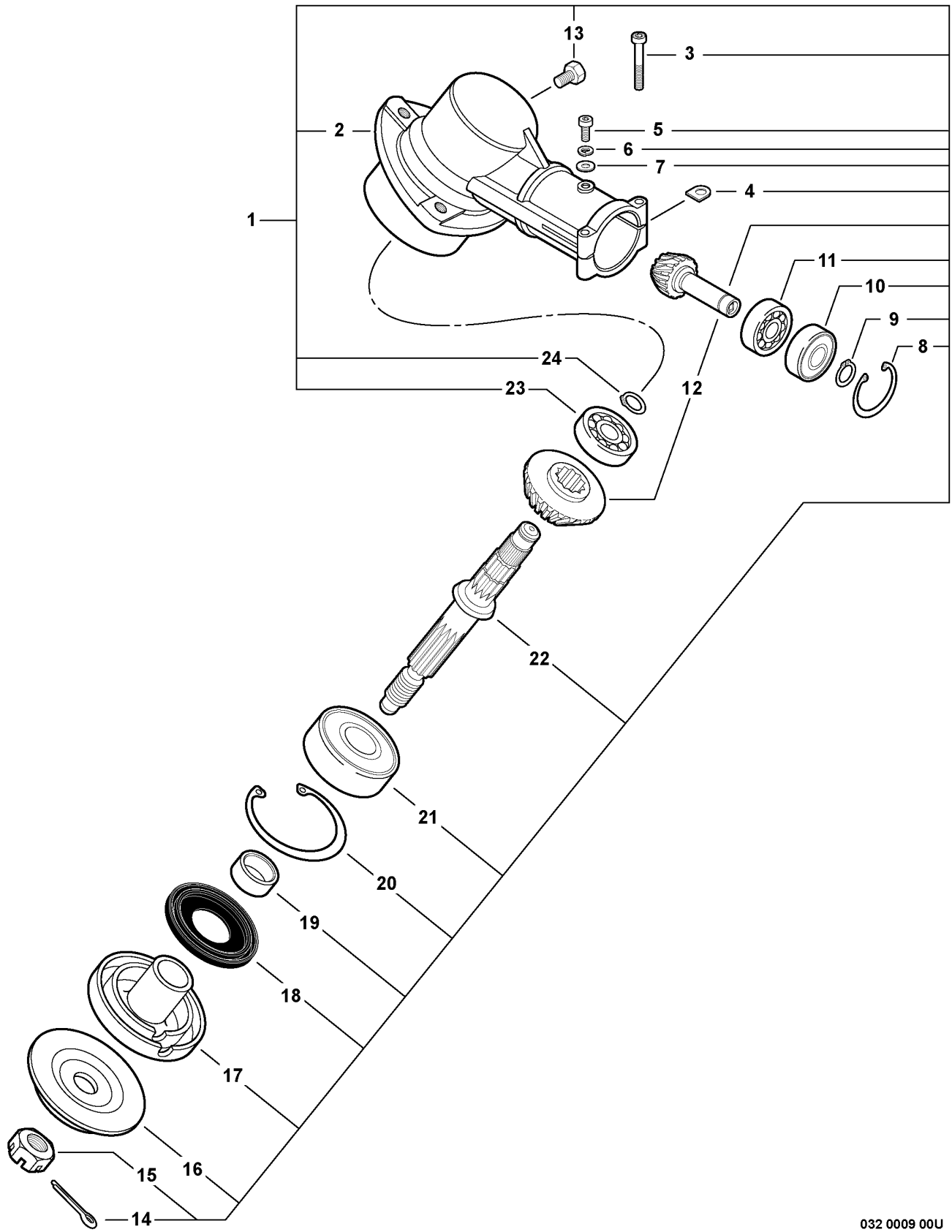
034 0001 000

| ITEM | PART NUMBER | QTY | DESCRIPTION          | REMARKS            |
|------|-------------|-----|----------------------|--------------------|
| 1    | P021001392  | 1   | SHIELD KIT - PLASTIC | INCLUDES ITEMS 2-7 |
| 2    | C550000031  | 1   | SHIELD - PLASTIC     |                    |
| 3    | 90023805020 | 3   | SCREW 5X20           |                    |
| 4    | C552000110  | 1   | PLATE, SHIELD        |                    |
| 5    | 69901644330 | 1   | CUTTER, LINE         |                    |
| 6    | 90023805016 | 2   | SCREW 5X16           |                    |
| 7    | 90050000005 | 2   | NUT 5                |                    |



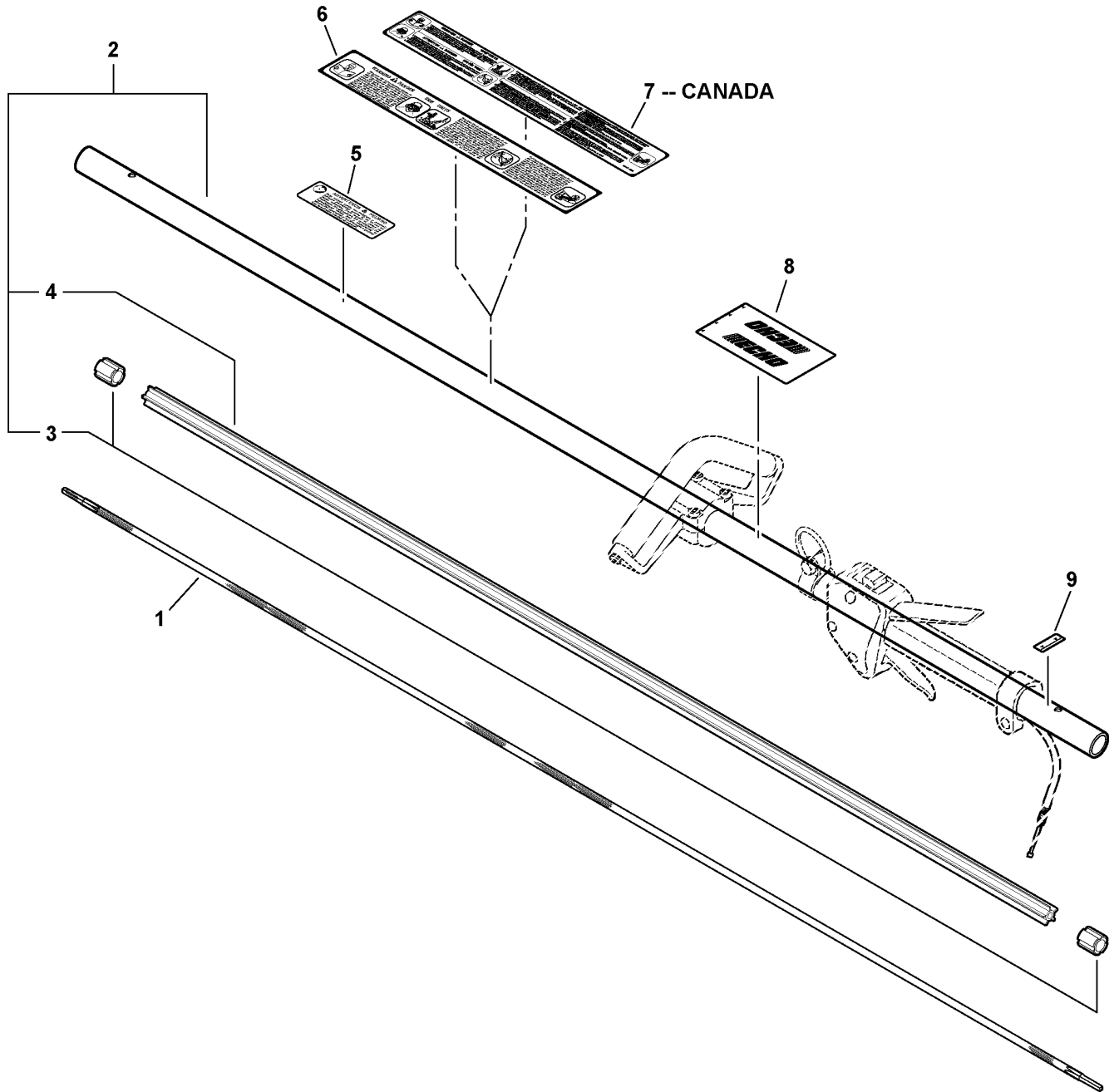
033 0001 000

| ITEM | PART NUMBER | QTY | DESCRIPTION           | REMARKS            |
|------|-------------|-----|-----------------------|--------------------|
| 1    | 69900023432 | 1   | SHIELD KIT - METAL    | INCLUDES ITEMS 2-7 |
| 2    | 90050000005 | 2   | NUT 5                 |                    |
| 3    | 90060500005 | 2   | LOCKWASHER            |                    |
| 4    | 69901523431 | 1   | BRACKET, SHIELD       |                    |
| 5    | 90022005008 | 2   | SCREW 5X8             |                    |
| 6    | 90024205010 | 3   | SCREW 5X10            |                    |
| 7    | C550000200  | 1   | SHIELD, BLADE - METAL |                    |
| 8    | 89016841031 | 1   | LABEL, CAUTION        |                    |
| 9    | X502000320  | 1   | LABEL, ECHO           |                    |



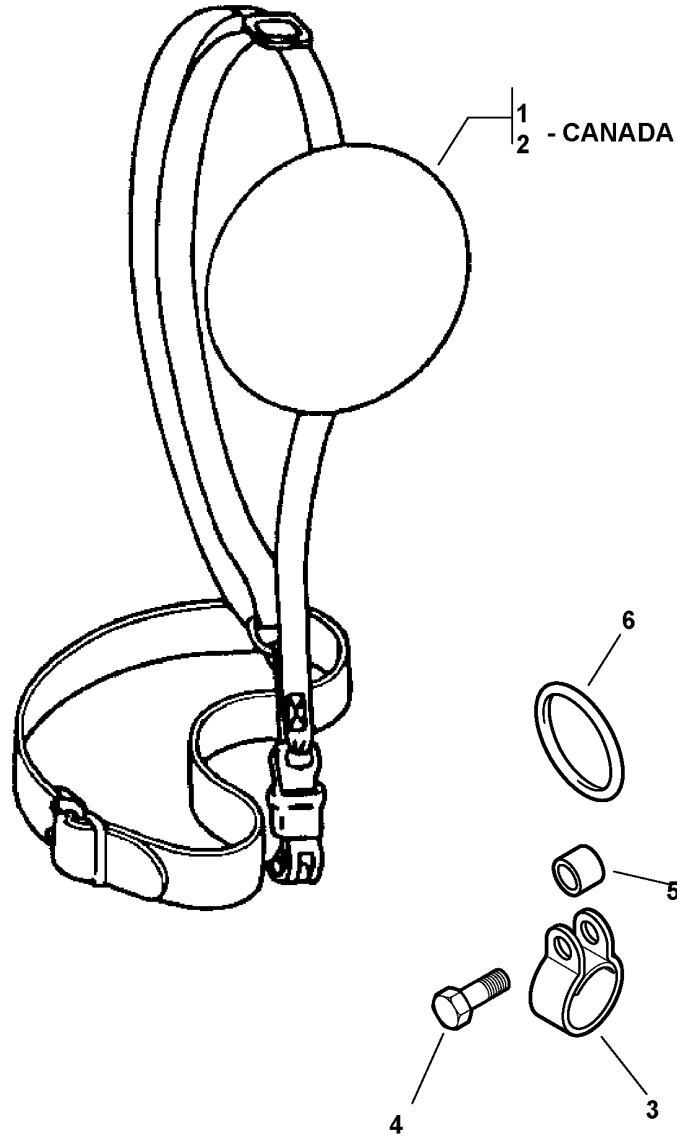
032 0009 00U

| ITEM | PART NUMBER | QTY | DESCRIPTION            | REMARKS                                  |
|------|-------------|-----|------------------------|--|
| 1    | 61040240932 | 1   | GEAR HOUSING ASY       | INCLUDES ITEMS 2-24                      |
| 2    | 61046027431 | 1   | CASE, GEAR             |  |
| 3    | V805000060  | 2   | SCREW 5X35             |  |
| 4    | 61023904130 | 2   | WASHER, SHIM           |  |
| 5    | V805000130  | 1   | SCREW 5X10             |  |
| 6    | 90060500005 | 1   | LOCKWASHER             |  |
| 7    | 90060000005 | 1   | WASHER                 |  |
| 8    | 90070200022 | 1   | CIRCLIP 22             |  |
| 9    | 90070600010 | 1   | CIRCLIP 10             |  |
| 10   | 90085806900 | 1   | BEARING, BALL - 6900   |  |
| 11   | 90085506900 | 1   | BEARING, BALL - 6900   |  |
| 12   | 61030044830 | 1   | BEVEL GEAR SET         |  |
| 13   | 61043450031 | 1   | BOLT 8X8               |  |
| 14   | 90030020022 | 1   | SPLIT PIN 2X22         | BULK OPTION: 89850201130 -10 PER PACKAGE |
| 15   | 90051100010 | 1   | NUT 10 - LEFT HANDED   |  |
| 16   | C535000150  | 1   | PLATE, ADAPTER - LOWER |  |
| 17   | C535000160  | 1   | PLATE, ADAPTER - UPPER |  |
| 18   | 61041307130 | 1   | OIL SEAL               |  |
| 19   | 61031507130 | 1   | SPACER                 |  |
| 20   | 90070200032 | 1   | CIRCLIP 32             |  |
| 21   | 9403536201  | 1   | BEARING, BALL - 6201   |  |
| 22   | 61036008931 | 1   | SHAFT, GEAR            |  |
| 23   | 90080000609 | 1   | BEARING, BALL - 609    |  |
| 24   | 90070600012 | 1   | CIRCLIP 12             |  |



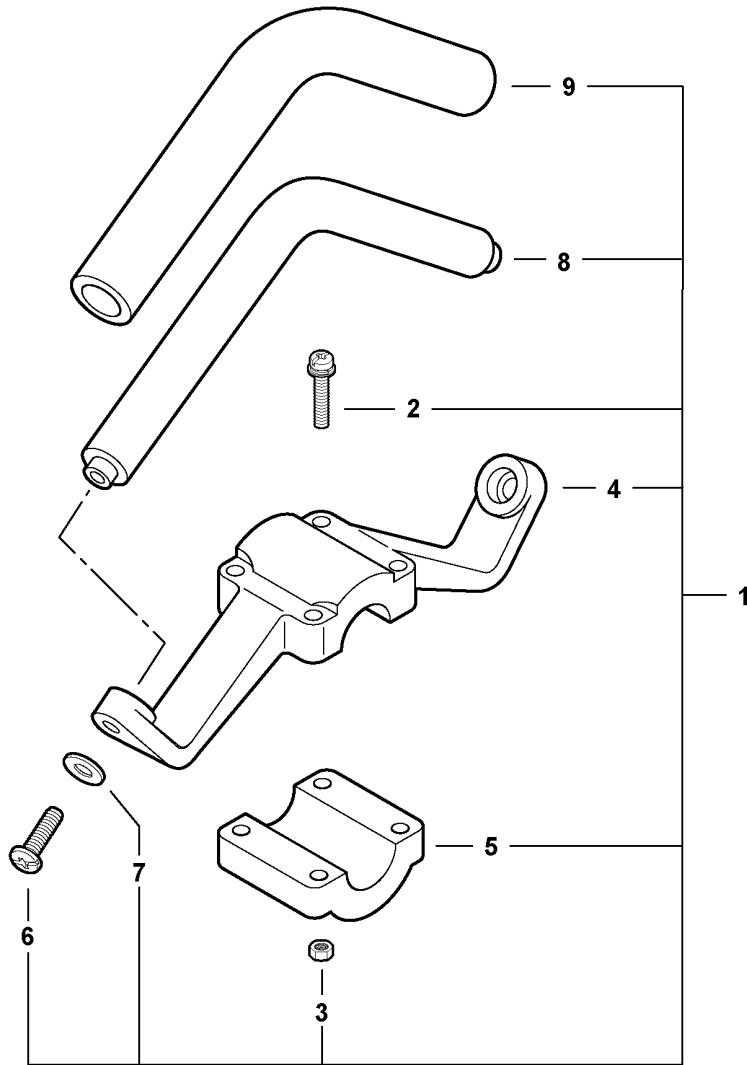
031 0014 000

| ITEM | PART NUMBER | QTY | DESCRIPTION                | REMARKS            |
|------|-------------|-----|----------------------------|--------------------|
| 1    | 61001344730 | 1   | DRIVESHAFT - FLEXIBLE      |                    |
| 2    | 61020655730 | 1   | MAIN PIPE ASY              | INCLUDES ITEMS 2-3 |
| 3    | 61024644730 | 2   | STOPPER                    |                    |
| 4    | 61021744730 | 1   | LINER, FLEXIBLE            |                    |
| 5    | 89022809560 | 1   | LABEL - CAUTION -- SPANISH |                    |
| 6    | 89016054130 | 1   | LABEL - CAUTION            |                    |
| 7    | 89031749030 | 1   | LABEL, CAUTION - CANADA    |                    |
| 8    | X505001930  | 1   | LABEL - HANDLE LOCATION    |                    |
| 9    | 89015204930 | 1   | LABEL - PIPE LOCATION      |                    |



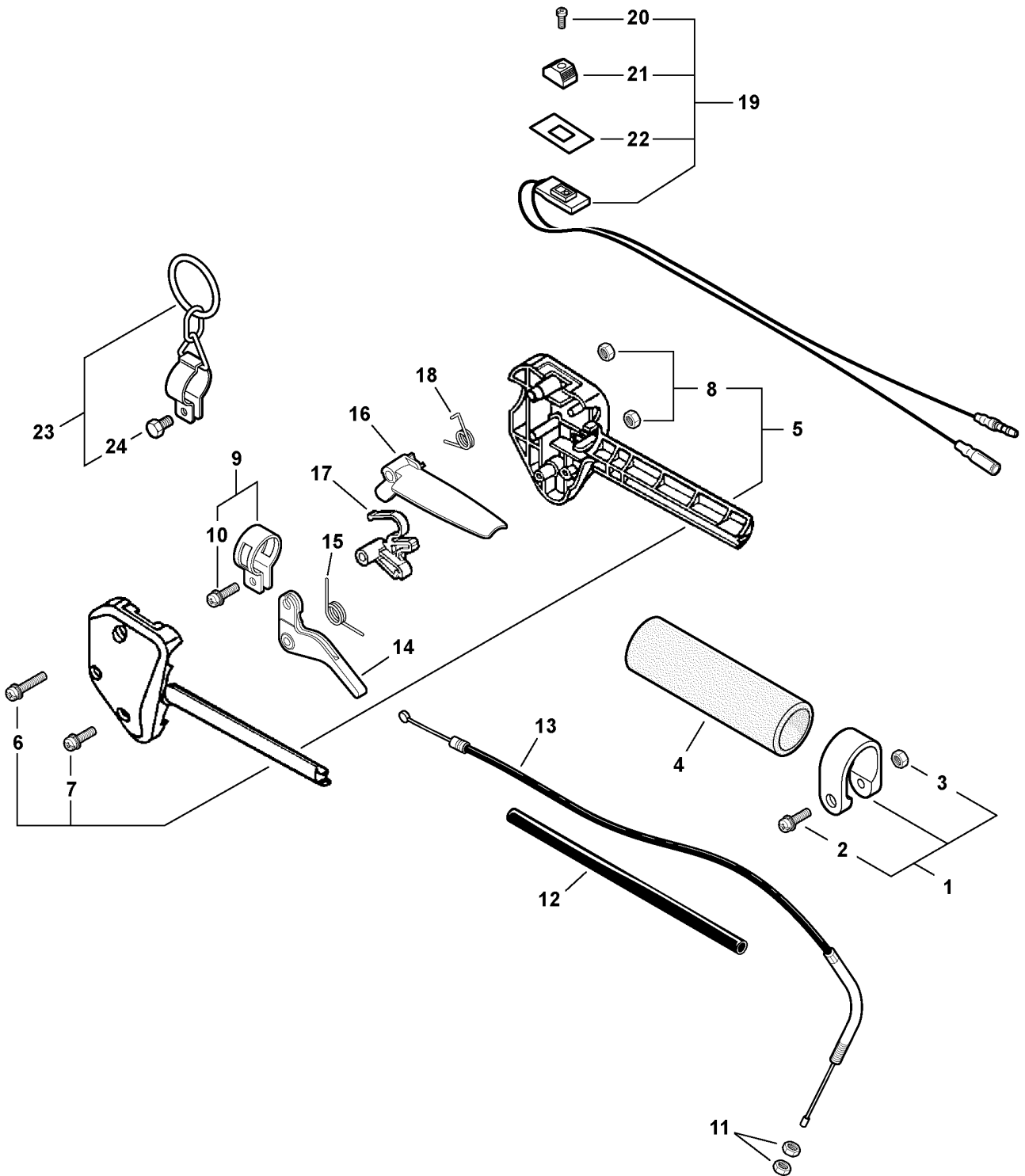
700 0001 000

| ITEM | PART NUMBER | QTY | DESCRIPTION       | REMARKS       |
|------|-------------|-----|-------------------|---------------|
| 1    | C062000070  | 1   | HARNESS, SHOULDER |               |
| 2    | C062000060  | 1   | HARNESS, SHOULDER | CANADA MODELS |
| 3    | 30120708930 | 1   | CLAMP             |               |
| 4    | 90010005018 | 1   | BOLT 5X18         |               |
| 5    | 69901203330 | 1   | SPACER            |               |
| 6    | 30101652730 | 1   | RING, HARNESS     |               |



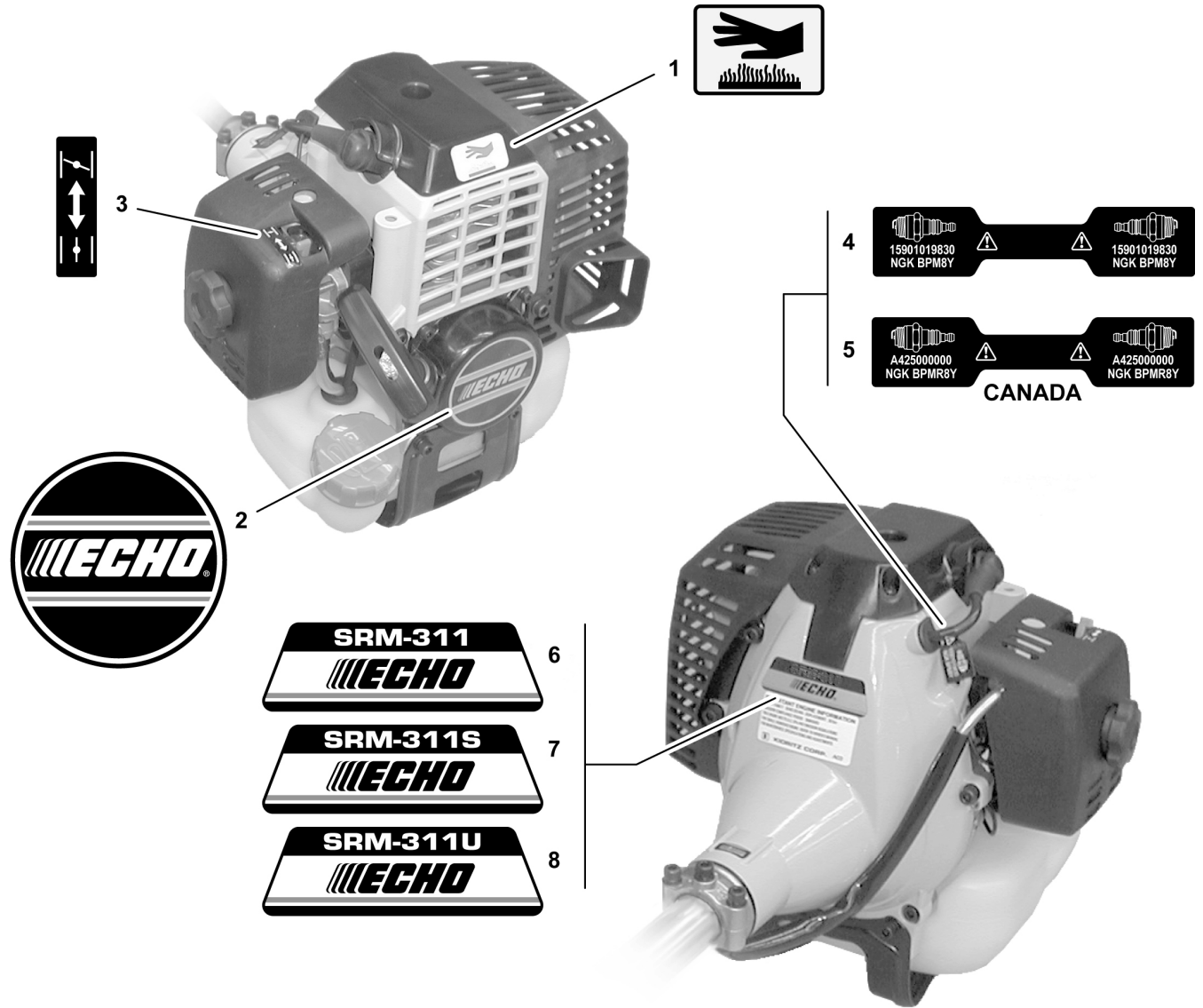
030 0014 00D

| ITEM | PART NUMBER | QTY | DESCRIPTION             | REMARKS            |
|------|-------------|-----|-------------------------|--------------------|
| 1    | P021000021  | 1   | FRONT HANDLE ASY        | INCLUDES ITEMS 2-9 |
| 2    | 90024205035 | 4   | SCREW 5X35              |                    |
| 3    | 90050000005 | 4   | NUT 5                   |                    |
| 4    | 35123266230 | 1   | BRACKET, HANDLE - UPPER |                    |
| 5    | 35122507130 | 1   | BRACKET, HANDLE - LOWER |                    |
| 6    | 90025305020 | 2   | SCREW 5X20 - TAPPING    |                    |
| 7    | 90060000005 | 2   | WASHER 5                |                    |
| 8    | 35120566230 | 1   | HANDLE, FRONT           |                    |
| 9    | 35121666230 | 1   | GRIP, HANDLE            |                    |



030 0015 000

| ITEM | PART NUMBER | QTY | DESCRIPTION              | REMARKS              |
|------|-------------|-----|--------------------------|----------------------|
| 1    | 61027252130 | 1   | CLAMP KIT                | INCLUDES ITEMS 2-3   |
| 2    | 90024205028 | 1   | SCREW 5X28               |                      |
| 3    | 90050000005 | 1   | NUT 5                    |                      |
| 4    | 35121352130 | 1   | GRIP, HANDLE             |                      |
| 5    | 17800352130 | 1   | CONTROL HANDLE KIT       | INCLUDES ITEMS 6-8   |
| 6    | 90024205035 | 1   | SCREW 5X35               |                      |
| 7    | 90024205025 | 1   | SCREW 5X25               |                      |
| 8    | 90050000005 | 2   | NUT 5                    |                      |
| 9    | 30120029430 | 1   | CLAMP KIT                | INCLUDES ITEM 10     |
| 10   | 90024205014 | 1   | SCREW 5X14               |                      |
| 11   | 90050200006 | 2   | NUT 6                    |                      |
| 12   | 17812751030 | 1   | TUBE, VINYL              |                      |
| 13   | V430000140  | 1   | CABLE, THROTTLE          |                      |
| 14   | 17801052130 | 1   | TRIGGER, THROTTLE        |                      |
| 15   | 17804342230 | 1   | SPRING, THROTTLE RETURN  |                      |
| 16   | 17809052632 | 1   | LEVER, TRIGGER LOCKOUT   |                      |
| 17   | 17801252730 | 1   | LOCKOUT, THROTTLE        |                      |
| 18   | 17801352630 | 1   | SPRING, THROTTLE LOCKOUT |                      |
| 19   | A440000280  | 1   | IGNITION SWITCH ASY      | INCLUDES ITEMS 20-22 |
| 20   | 9154503010  | 1   | SCREW 3X10               |                      |
| 21   | 16341049231 | 1   | KNOB, SWITCH - ORANGE    |                      |
| 22   | 89015712330 | 1   | COVER, SWITCH - STOP     |                      |
| 23   | C646000060  | 1   | HARNESS HANGER KIT       | INCLUDES ITEM 24     |
| 24   | 90010005012 | 1   | BOLT 5X12                |                      |



100 0031 000

| ITEM | PART NUMBER | QTY | DESCRIPTION                   | REMARKS       |
|------|-------------|-----|-------------------------------|---------------|
| 1    | X505002310  | 1   | LABEL - CAUTION -- HOT        |               |
| 2    | 89011849330 | 1   | LABEL - ECHO                  |               |
| 3    | 89033252730 | 1   | LABEL - CHOKE                 |               |
| 4    | X532000674  | 1   | LABEL - SPARK PLUG -- BPM-8Y  |               |
| 5    | X532000720  | 1   | LABEL - SPARK PLUG -- BPMR-8Y | CANADA MODELS |
| 6    | X503002660  | 1   | LABEL - MODEL -- SRM-311      |               |
| 7    | X503002670  | 1   | LABEL - MODEL -- SRM-311S     |               |
| 8    | X503002680  | 1   | LABEL - MODEL -- SRM-311U     |               |

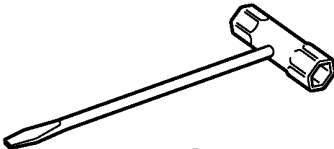
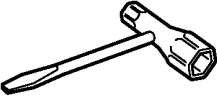
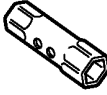

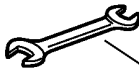






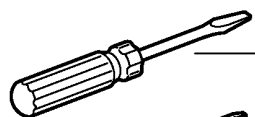
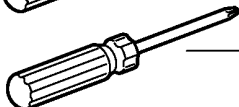
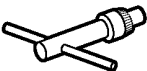
| <b>Use Gasket Kit</b> | <b>Contains:</b> | <b>Service Number</b> | <b>Description</b> |
|-----------------------|------------------|-----------------------|--------------------|
| P021006882            |                  | V100000141            | GASKET, CYLINDER   |
|                       |                  | 10024255430           | GASKET, CRANKCASE  |
|                       |                  | 13001055930           | GASKET, INTAKE     |
|                       |                  | 13001013410           | GASKET, INTAKE     |
|                       |                  | V104000490            | SHIELD, MUFFLER    |
|                       |                  | V104000460            | GASKET, EXHAUST    |
|                       |                  | V104000520            | GASKET, EXHAUST    |

300 0019 000

---

| <u>ITEM</u> | <u>PART NUMBER</u> | <u>QTY</u> | <u>DESCRIPTION</u> | <u>REMARKS</u> |
|-------------|--------------------|------------|--------------------|----------------|
| 1           | P021006882         | 1          | GASKET KIT         |                |

---

|   |   |
|---|---|
|   | <b>SOCKET WRENCH W/SCREWDRIVER (Also Removes Spark Plugs)</b> |
|   | 1 - 89541010630 -- 17X19mm                                    |
|    | 2 - X602000020 -- 17X19mm                                     |
|   | 3 - 89541039131 -- 10X19mm                                    |
|    | 4 - 89541006960 -- 13X19mm                                    |
|   | <b>SOCKET WRENCH</b>  |
|    | 5 - X602000031 -- 17X14.5mm                                   |
|   | <b>LOCKING ROD</b>  |
|    | 6 - 89751801131 -- 5X120mm                                    |
|   | <b>OPEN END WRENCH</b>  |
|   | 7 - 89511200330 -- 8X10mm                                     |
|    | 8 - 89512220960 -- 17X19mm                                    |
|   | 9 - 89501505260 -- 10mm                                       |
|    | <b>HEX BAR</b>  |
|   | 10 - 89541220960 -- 10mm                                      |
|   | <b>HEX KEY</b>  |
|  | 11 - 89561203430 -- 3mm                                       |
|  | 12 - 89561000130 -- 4mm                                       |
|  | 13 - 89561100330 -- 5mm                                       |
|   | <b>TORX KEY</b>   |
|  | 14 - X605000060 -- T27  |
|   | <b>SCREWDRIVER</b>  |
|  | 15 - 89581100130 -- 125mm SLOTTED                             |
|  | 16 - 89581203930 -- 50mm PHILLIPS                             |
|   | <b>CHUCK KEY</b>  |
|  | 17 - 89757005560  |

**Consult Your Operators Manual For The Tools Used With Your Model**

200 0002 000

| ITEM | PART NUMBER | QTY | DESCRIPTION               | REMARKS         |
|------|-------------|-----|---------------------------|-----------------|
| 1    | 89541010630 | 1   | SOCKET WRENCH/SCREWDRIVER | 17X19mm         |
| 2    | X602000020  | 1   | SOCKET WRENCH/SCREWDRIVER | 17X19mm         |
| 3    | 89541039131 | 1   | SOCKET WRENCH/SCREWDRIVER | 10X19mm         |
| 4    | 89541006960 | 1   | SOCKET WRENCH/SCREWDRIVER | 13X19mm         |
| 5    | X602000031  | 1   | SOCKET WRENCH             | 17X14.5mm       |
| 6    | 89751801131 | 1   | LOCKING ROD               | 5X120mm         |
| 7    | 89511200330 | 1   | OPEN END WRENCH           | 8X10mm          |
| 8    | 89512220960 | 1   | OPEN END WRENCH           | 17X19mm         |
| 9    | 89501505260 | 1   | OPEN END WRENCH           | 10mm            |
| 10   | 89541220960 | 1   | HEX BAR                   | 10mm            |
| 11   | 89561203430 | 1   | HEX KEY                   | 3mm             |
| 12   | 89561000130 | 1   | HEX KEY                   | 4mm             |
| 13   | 89561100330 | 1   | HEX KEY                   | 5mm             |
| 14   | X605000060  | 1   | TORX KEY                  | T27             |
| 15   | 89581100130 | 1   | SCREWDRIVER               | 125mm SLOT HEAD |
| 16   | 89581203930 | 1   | SCREWDRIVER               | 50mm CROSS HEAD |
| 17   | 89757005560 | 1   | CHUCK KEY                 |                 |



# Part Number Index

Click The Page Number After Any Part Number To View The Diagram Containing That Part.

| Part Number | Page     | Part Number | Page           | Part Number | Page   | Part Number | Page |
|-------------|----------|-------------|----------------|-------------|--------|-------------|------|
| -----       | 5, 7, 19 | 35121666230 | 31             | 90060000008 | 17     | X532000674  | 35   |
| 10001216131 | 19       | 35122507130 | 31             | 90060500005 | 23, 25 | X532000720  | 35   |
| 10001327430 | 19       | 35123266230 | 31             | 90060500008 | 17     | X602000020  | 39   |
| 10001453630 | 19       | 61001344730 | 27             | 90070000004 | 11     | X602000031  | 39   |
| 10001503931 | 19       | 61020655730 | 27             | 90070100012 | 15     | X605000060  | 39   |
| 10014212330 | 17       | 61021744730 | 27             | 90070200022 | 25     |             |      |
| 10021305530 | 19       | 61023904130 | 25             | 90070200028 | 15     |             |      |
| 10024255430 | 19       | 61024644730 | 27             | 90070200032 | 25     |             |      |
| 12311005560 | 7        | 61027252130 | 33             | 90070600010 | 25     |             |      |
| 12311440630 | 7        | 61030044830 | 25             | 90070600012 | 25     |             |      |
| 12312205560 | 7        | 61031507130 | 25             | 90080000609 | 25     |             |      |
| 12313440030 | 7        | 61036008931 | 25             | 90080796001 | 15     |             |      |
| 12313803930 | 7        | 61040240932 | 25             | 90085506900 | 25     |             |      |
| 12313905560 | 7        | 61041307130 | 25             | 90085806900 | 25     |             |      |
| 12314205560 | 7        | 61043450031 | 25             | 9136704012  | 9      |             |      |
| 12314954230 | 7        | 61046027431 | 25             | 9154503010  | 33     |             |      |
| 12317245130 | 7        | 61090355430 | 15             | 9403536201  | 19, 25 |             |      |
| 12317307930 | 7        | 61091055730 | 15             | A011000301  | 19     |             |      |
| 12317905560 | 7        | 69900023432 | 23             | A021000750  | 7      |             |      |
| 12318005560 | 7        | 69901203330 | 29             | A051000160  | 11     |             |      |
| 12318140630 | 7        | 69901523431 | 23             | A101000080  | 19     |             |      |
| 12901157731 | 5        | 69901644330 | 21             | A130000560  | 19     |             |      |
| 13001013410 | 5        | 89011849330 | 35             | A160000370  | 15     |             |      |
| 13001055930 | 5        | 89015204930 | 27             | A162000030  | 15     |             |      |
| 13011100530 | 13       | 89015712330 | 33             | A172000210  | 15     |             |      |
| 13031051830 | 5        | 89016054130 | 27             | A200000150  | 5      |             |      |
| 13031357731 | 5        | 89016841031 | 23             | A259000000  | 7      |             |      |
| 13040652131 | 5        | 89022809560 | 27             | A313000470  | 9      |             |      |
| 13100455530 | 13       | 89031749030 | 27             | A320000100  | 9, 15  |             |      |
| 13101655830 | 13       | 89033252730 | 35             | A350000171  | 13     |             |      |
| 13105156030 | 13       | 89501505260 | 39             | A356000030  | 13     |             |      |
| 13120507320 | 13       | 89511200330 | 39             | A425000000  | 17     |             |      |
| 13191055430 | 13, 15   | 89512220960 | 39             | A440000280  | 33     |             |      |
| 13192055430 | 13, 15   | 89541006960 | 39             | A553000000  | 15     |             |      |
| 13201309820 | 13       | 89541010630 | 39             | C062000060  | 29     |             |      |
| 13271750430 | 13       | 89541039131 | 39             | C062000070  | 29     |             |      |
| 14586240630 | 9        | 89541220960 | 39             | C535000150  | 25     |             |      |
| 15262655730 | 17       | 89561000130 | 39             | C535000160  | 25     |             |      |
| 15280155430 | 17       | 89561100330 | 39             | C550000031  | 21     |             |      |
| 15611240630 | 17       | 89561203430 | 39             | C550000200  | 23     |             |      |
| 15901019830 | 17       | 89581100130 | 39             | C552000110  | 21     |             |      |
| 15901103432 | 17       | 89581203930 | 39             | C646000060  | 33     |             |      |
| 15901203433 | 17       | 89751801131 | 39             | P003000180  | 7      |             |      |
| 16201055630 | 17       | 89757005560 | 39             | P003000650  | 7      |             |      |
| 16201452930 | 17       | 90010005012 | 33             | P003000660  | 7      |             |      |
| 16341049231 | 33       | 90010005018 | 29             | P003001130  | 7      |             |      |
| 17500555730 | 15       | 90010505060 | 9              | P021000021  | 31     |             |      |
| 17501849932 | 15       | 90010605012 | 15             | P021001392  | 21     |             |      |
| 17504646430 | 15       | 90010605014 | 9, 15          | P021001430  | 5      |             |      |
| 17504805530 | 15       | 90010605020 | 15             | P021006802  | 19     |             |      |
| 17720241030 | 11       | 90016204014 | 11             | P021006811  | 9      |             |      |
| 17721441030 | 11       | 90016205012 | 9, 13, 15      | P021006882  | 37     |             |      |
| 17721543130 | 11       | 90016205020 | 13, 15, 17, 19 | P021006980  | 19     |             |      |
| 17721840630 | 11       | 90016205025 | 5, 15          | SB1073      | 19     |             |      |
| 17722040630 | 11       | 90016205030 | 19             | V100000141  | 19     |             |      |
| 17722601110 | 11       | 90022005008 | 23             | V104000460  | 9      |             |      |
| 17722742030 | 11       | 90023804014 | 15             | V104000490  | 9      |             |      |
| 17722811120 | 11       | 90023805010 | 17             | V104000520  | 9      |             |      |
| 17723440630 | 11       | 90023805016 | 21             | V137000030  | 13     |             |      |
| 17723640630 | 11       | 90023805020 | 21             | V306000121  | 19     |             |      |
| 17800352130 | 33       | 90024205010 | 23             | V353000020  | 15     |             |      |
| 17801052130 | 33       | 90024205014 | 33             | V430000140  | 33     |             |      |
| 17801252730 | 33       | 90024205025 | 33             | V471000600  | 13     |             |      |
| 17801352630 | 33       | 90024205028 | 33             | V471001190  | 13     |             |      |
| 17804342230 | 33       | 90024205035 | 31, 33         | V622000020  | 19     |             |      |
| 17809052632 | 33       | 90024205060 | 5              | V805000060  | 25     |             |      |
| 17812751030 | 33       | 90025305020 | 31             | V805000130  | 25     |             |      |
| 30101652730 | 29       | 90030020022 | 25             | X502000320  | 23     |             |      |
| 30120029430 | 33       | 90050000005 | 21, 23, 31, 33 | X503002660  | 35     |             |      |
| 30120708930 | 29       | 90050200006 | 5, 33          | X503002670  | 35     |             |      |
| 30511055830 | 13, 15   | 90050200008 | 11, 17         | X503002680  | 35     |             |      |
| 35120566230 | 31       | 90051100010 | 25             | X505001930  | 27     |             |      |
| 35121352130 | 33       | 90060000005 | 9, 25, 31      | X505002310  | 35     |             |      |



# Part Description Index

Click The Page Number After Any Part Description To View The Diagram Containing That Part.

## B

BEARING, BALL - 6001.....15  
 BEARING, BALL - 609.....25  
 BEARING, BALL - 6201.....19, 25  
 BEARING, BALL - 6900.....25  
 BEARING, NEEDLE.....19  
 BEVEL GEAR SET.....25  
 BODY, AIR PURGE.....7  
 BODY, CARBURETOR.....7  
 BOLT 5X12.....33  
 BOLT 5X18.....29  
 BOLT 8X8.....25  
 BOLT, CLUTCH.....15  
 BRACKET, CABLE.....7  
 BRACKET, FUEL TANK.....13, 15  
 BRACKET, HANDLE - LOWER.....31  
 BRACKET, HANDLE - UPPER.....31  
 BRACKET, SHIELD.....23  
 BULB, PURGE.....7

## C

CABLE, THROTTLE.....33  
 CAP ASY.....13  
 CAP, LIMITER.....7  
 CAP, SPARK PLUG.....17  
 CARBURETOR.....5  
 CARBURETOR -- WYK-189.....7  
 CASE, AIR CLEANER.....5  
 CASE, GEAR.....25  
 CHUCK KEY.....39  
 CIRCLIP 10.....25  
 CIRCLIP 12.....15, 25  
 CIRCLIP 22.....25  
 CIRCLIP 28.....15  
 CIRCLIP 32.....25  
 CIRCLIP, PISTON PIN.....19  
 CLAMP.....29  
 CLAMP KIT.....33  
 CLIP.....7, 13  
 COIL, IGNITION.....17  
 COLLAR 5.....15  
 CONNECTOR, CAP.....13  
 CONTROL HANDLE KIT.....33  
 COVER, ENGINE -- GRAY.....15  
 COVER, FAN.....15  
 COVER, MUFFLER.....9, 15  
 COVER, PURGE PUMP.....7  
 COVER, SWITCH - STOP.....33  
 CRANKCASE KIT.....19  
 CRANKSHAFT ASY.....19  
 CUSHION.....15  
 CUSHION, FUEL TANK.....13, 15  
 CUTTER, LINE.....21  
 CYLINDER.....19

## D

DIAPHRAGM, PUMP.....7  
 DOWEL PIN.....19  
 DRIVESHAFT - FLEXIBLE.....27  
 DRUM, CLUTCH.....15  
 DRUM, STARTER.....11

## E

E-RING 4.....11

## F

FILTER, AIR.....5  
 FILTER, FUEL.....13  
 FLYWHEEL.....17  
 FRONT HANDLE ASY.....31

## G

GASKET KIT.....37  
 GASKET, CAP.....13  
 GASKET, CRANKCASE.....19  
 GASKET, CYLINDER.....19  
 GASKET, EXHAUST.....9  
 GASKET, INTAKE.....5, 19  
 GASKET, METERING DIAPHRAGM.....7  
 GASKET, PUMP.....7  
 GASKET/DIAPHRAGM KIT.....7  
 GEAR HOUSING ASY.....25  
 GRIP, HANDLE.....31, 33  
 GRIP, STARTER.....11  
 GROMMET.....13, 17  
 GUARD, TOP.....15  
 GUIDE, EXHAUST.....9  
 GUIDE, ROPE.....11

## H

HANDLE, FRONT.....31  
 HARNESS HANGER KIT.....33  
 HARNESS, SHOULDER.....29  
 HEX BAR.....39  
 HEX KEY.....39  
 HOLDER KIT.....15

## I

IGNITION SWITCH ASY.....33  
 INSULATOR.....5

## K

KNOB, FASTENER.....5  
 KNOB, SWITCH - ORANGE.....33

## L

LABEL - CAUTION.....27  
 LABEL - CAUTION -- HOT.....35  
 LABEL - CAUTION -- SPANISH.....27  
 LABEL - CHOKE.....35  
 LABEL - ECHO.....35  
 LABEL - HANDLE LOCATION.....27  
 LABEL - MODEL -- SRM-311.....35  
 LABEL - MODEL -- SRM-311S.....35  
 LABEL - MODEL -- SRM-311U.....35  
 LABEL - PIPE LOCATION.....27  
 LABEL - SPARK PLUG -- BPM-8Y.....35  
 LABEL - SPARK PLUG -- BPMR-8Y.....35  
 LABEL, CAUTION.....23  
 LABEL, CAUTION - CANADA.....27  
 LABEL, ECHO.....23  
 LEAD, GROUND.....17  
 LEAD, IGNITION.....17  
 LEVER, METERING.....7

LEVER, TRIGGER LOCKOUT.....33  
 LID, AIR CLEANER.....5  
 LINER, FLEXIBLE.....27  
 LOCKING ROD.....39  
 LOCKOUT, THROTTLE.....33  
 LOCKWASHER.....23, 25

## M

MAIN PIPE ASY.....27  
 METERING, DIAPHRAGM.....7  
 MUFFLER ASY.....9

## N

NEEDLE - HIGH SPEED.....7  
 NUT 10 - LEFT HANDED.....25  
 NUT 5.....21, 23, 31, 33  
 NUT 6.....5, 33  
 NUT 8.....11, 17

## O

OIL SEAL.....19, 25  
 OPEN END WRENCH.....39

## P

PACKING, RING.....7  
 PAWL, STARTER.....11  
 PIN, METERING LEVER.....7  
 PIN, PISTON.....19  
 PIPE, FUEL - 3X5X180mm.....13  
 PIPE, RETURN - 3X6X70mm.....13  
 PIPE, VENT - 3X5X120mm.....13  
 PISTON KIT.....19  
 PLATE, ADAPTER - LOWER.....25  
 PLATE, ADAPTER - UPPER.....25  
 PLATE, PREVENT.....5  
 PLATE, SHIELD.....21  
 PUMP BODY ASY.....7

## R

REPAIR KIT.....7  
 RING, HARNESS.....29  
 RING, PISTON.....19  
 ROPE, STARTER - 4X950mm.....11

## S

SCREEN, INLET.....7  
 SCREEN, MUFFLER.....9  
 SCREW.....11  
 SCREW 3X10.....33  
 SCREW 4X12.....9  
 SCREW 4X14.....11, 15  
 SCREW 5X10.....17, 23, 25  
 SCREW 5X12.....9, 13, 15  
 SCREW 5X14.....9, 15, 33  
 SCREW 5X16.....21  
 SCREW 5X20.....13, 15, 17, 19, 21  
 SCREW 5X20 - TAPPING.....31  
 SCREW 5X25.....5, 15, 33  
 SCREW 5X28.....33  
 SCREW 5X30.....19  
 SCREW 5X35.....25, 31, 33  
 SCREW 5X60.....5, 9  
 SCREW 5X8.....23



# Part Description Index (continued)

---

SCREW, CABLE BRACKET.....7  
 SCREW, IDLE ADJUST.....7  
 SCREW, METERING LEVER PIN.....7  
 SCREW, PURGE COVER.....7  
 SCREWDRIVER.....39  
 SHAFT, GEAR.....25  
 SHIELD - PLASTIC.....21  
 SHIELD KIT - METAL.....23  
 SHIELD KIT - PLASTIC.....21  
 SHIELD, BLADE - METAL.....23  
 SHIELD, EXHAUST.....19  
 SHIELD, MUFFLER.....9  
 SHOE, CLUTCH.....15  
 SHORT BLOCK.....19  
 SOCKET WRENCH.....39  
 SOCKET WRENCH/SCREWDRIVER.....39  
 SPACER.....25, 29  
 SPACER, PISTON PIN.....19  
 SPARK PLUG -- BPM-8Y.....17  
 SPARK PLUG -- BPMR-8Y.....17  
 SPLIT PIN 2X22.....25  
 SPRING WASHER 8.....17  
 SPRING, CLUTCH.....15  
 SPRING, METERING LEVER.....7  
 SPRING, RETURN.....11  
 SPRING, REWIND.....11  
 SPRING, THROTTLE LOCKOUT.....33  
 SPRING, THROTTLE RETURN.....33  
 STAND.....13, 15  
 STARTER PAWL ASY.....11  
 STARTER, RECOIL.....11  
 STOPPER.....27  
 SWIVEL.....7

## T

TANK, FUEL.....13  
 TERMINAL, SPARK PLUG CAP.....17  
 THROTTLE VALVE ASY.....7  
 TORX KEY.....39  
 TRIGGER, THROTTLE.....33  
 TUBE, VINYL.....33

## V

VALVE, INLET NEEDLE.....7  
 VENT ASY.....13

## W

WASHER.....7, 11, 15, 19, 25  
 WASHER 5.....9  
 WASHER 5.....31  
 WASHER 8.....17  
 WASHER, SHIM.....25  
 WOODRUFF KEY.....17

## **NOTES**



**ECHO, INCORPORATED**

400 Oakwood Road  
Lake Zurich, IL 60047 USA

[WWW.ECHO-USA.COM](http://WWW.ECHO-USA.COM)

---