

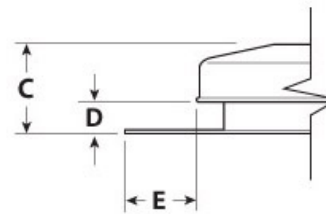
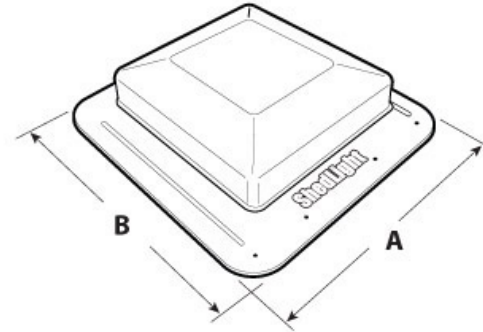


Submittal Sheet

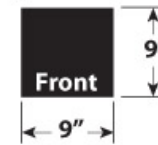
Part Description:
Shedlight Roof Vent 50 Sq. In. Translucent

Part Number:
5950C

Approvals and Listings maintained by:
Canplas Industries Ltd
Canada: 1-800-461-5300 USA: 1-888-461-5307



Rough Cut Opening



Part #	Part UPC	Colour	Size (inches)	Ctn Qty	Ctn Bar Code	Ctn. Wt (Kgs)	Ctn. Wt (lbs)	Skid Cubic (m)	Skid Cubic (ft)	Ctns/Skid
5950C	662671590978	TRANSLUCENT		6	10662671590975	4.76	10.47	0.18	6.33	16

Dimensions (inches)

A	B	C	D	E
16.923	17.926	4.333	1.069	2.348