

**Defender[®]
Security**

SEGAL

Pages 45-48

ChildSafe

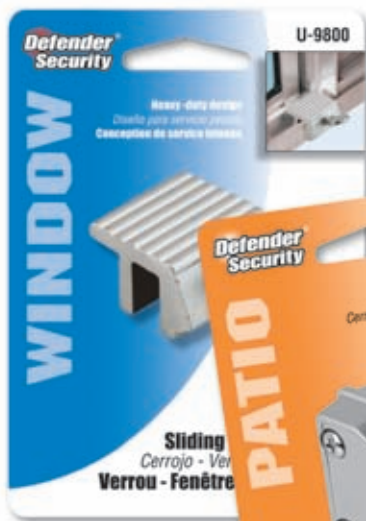


Pages 49-55



PRIME-LINE[®]

primeline.net



Large, four-color, "in-use" photos give consumers a clear and unmistakable image of the assembled product.



Chain Door Guard
Picaporte de seguridad para puerta con cadena
Entrebâilleur de sûreté pour porte avec chaîne



Bright, four-color, reverse-packaging to draw consumer attention.

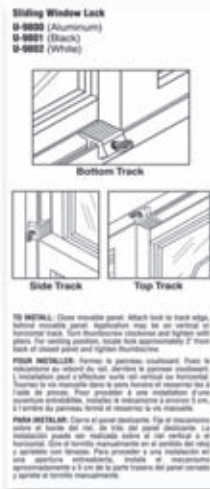


Cabinet & Drawer Lock
Pestillo de seguridad - Armario y cajón
Loquet de sécurité - Armoire et tiroir

Concise, trilingual item descriptions for multiple markets.



Clear, reverse-sided blister allows consumer inspection prior to purchase. Trilingual notes explain that instructions are enclosed.



Website address guides consumers to our web pages for more info and assistance.

Additional security items are shown to promote further product sales.

Application illustrations provide consumers with installation options.

Concise, easy-to-follow, trilingual instructions guide the consumer through normal installation.

Dimensioned illustrations provide exact measurements for specialized applications.



The NEXT generation of packaging!

- ▶ **Vibrantly colored category designation**
Allows easy recognition between Window, Entry, Patio, Child and Utility Categories
- ▶ **Larger-than-life product photographs**
In-use photography allows easy identification
- ▶ **Colorful application photographs**
Customers see the product in practical applications for identification
- ▶ **Reverse-sealed blister holds product and instructions**
Products are securely sealed in blister packs on the reverse side and include detailed installation instructions



Door Guards

Clear and concise four-color packaging shows how door guards are easy-to-install to reinforce a door lock or repair a damaged door. Comprehensive assortment fits all size door and lock combinations. Door Guards are available in all popular finishes. (Page 10)

Window Locks

Complete line of window locks for added security when windows are closed and for use when ventilating a room with security in mind. New patented "cam-assist" window lock features an easy-to-use lever for elderly consumers or consumers with weak hand strength. (Page 19)



Entry Door

Comprehensive product line includes many ways to secure a front door on a home, apartment or commercial property. Everything from jamb reinforcement, special strike plates to chain guards and door viewers create a strong perimeter of security. (Pages 4 & 31)



Child Safety

For inside the home, Defender is proud to introduce its newest product line designed to help protect newborns to toddlers. Child Safety product line includes electrical socket covers, furniture guards, cabinet locks and cord protectors. (Page 49)

Cam Locks

Cam lock packaging features hi-visibility color cards help your customers select the correct model. Great margins on a complete line for homes, apartments and commercial property! (Page 58)



Commercial Door

Complete product line includes everything from door holders, wall and floor stops, push and pull plates and kick plates. (Page 63)



Contents

4
Strike Plates



10
Lock & Door Reinforcers



19
Window & Door Security



31
Entry Security

54
Utility

1 **Safe Deposit Can**

2 **Re-Key A Lock**

3 **Door Knob & Wall Shields**

4 **Strike Plates:**

Adjustable, "T", Standard Latch, Security Deadbolt, Security Latch, Maximum Security Combination, Maximum Security Latch, Maximum Security Deadbolt, & Armored Security

10 **Lock & Door Reinforcers:**

Recessed & Non-Recessed Edge, Door Edge & Frame Reinforcer, Decorative Door Reinforcer, Blank Reinforcer & Mega Jamb

15 **Latch Shields:**

Protector, Shields, Bore Reducer, Door Edge Filler Plate, Cover Plate & Hole Cover

19 **Window & Door Security:**

Sliding Window Locks, Keyed Sash Locks, Window Security Pins, Wood Window Vent Lock, Wood Window Flip Lock, Casement Window Sash Lock, Sliding Patio Door Lock, Patio Door Pin, Patio Door Loop Lock & Patio Door Security Bar

31 **Entry Security:**

Chain Door Guard, Flip Door Lock, Surface Bolt, Door Guard, Door Viewer, Door Knockers, Mortise Lock Knobs, Mortise Lock Set, Mortise Lock Assembly, Door Knob Rosettes, Door Escutcheon Plates, Passage Door Mortise Latch, Rim Cylinder Lock, Contemporary Night Latch, Night Latch & Locking Cylinder & Jimmy-resistant Deadlock

49 **Child Safety:**

Catches, Locks, Household, Electrical, Appliance, Bathroom & Automotive

54 **Utility:**

Drawer & Cabinet Locks, Showcase Window Key Lock & Mailbox Locks

63 **Commercial Door**

Door Stops, Wall Stops, Floor Stops, Pull Handles, Push / Pull Plates & Kick Plates

69 **P.O.P. Material**

70 **Keyed Item Information**

71 **Index**



NEW
From
Defender Security

SAFE™ DEPOSIT CAN

Hide It In Plain Sight!

- Twist-off bottom hides items from intruders and nosy roommates
- Uses actual “licensed” manufacturers cans
- The “original” valuables concealment container
- Perfect for homes, travel, RV’s, boats, dorms, camping and office
- Made in the USA!

U-11002

U-11001



U-11000



PACKAGING & MERCHANDISING

CLAM PACKAGING

FLOOR DISPLAY



U-11005



- Fully stocked out of box
- Includes header sign
- Light weight, moves easily
- Ships with durable cardboard sleeve
- Just refill as needed from open stock

Floor Display Includes:

8 - Ajax
8 - Liquid Wrench
8 - Scotch Gard Pet Care
Dimensions: 17¹⁵/₁₆" x 14¹³/₁₆" x 39⁷/₁₆"
Total Shipping Weight 15.520 lbs
Cube: 6.14

COUNTER DISPLAY



U-11003

Counter Display Includes:

4 - Ajax
4 - Liquid Wrench
4 - Scotch Gard Pet Care
Dimensions: 17³/₈" x 14¹/₂" x 12¹/₄"
Total Shipping Weight 6.695 lbs
Cube: 1.82

PRIME-LINE **Re-Key A Lock**

The Do-It-Yourselfer's Alternative to Expensive Locksmith Visits!

NEW!



- Provides homeowners and apartment managers with an easy-to-use re-keying system!
- Competitively priced - a significant savings over the average cost of a locksmith's visit.
- Includes all necessary tools, 3 keys and enough pins to re-key up to six locks or deadbolts.
- Re-Key A Lock kits are designed for all major lock types including: **Kwikset, Titan, Schlage, and Weiser.**
- Kits include tweezers for easy pin insertion and three keys.
- Color-coded pins for easy re-keying.
- Will not detract from in-store re-keying services. Most homeowners do not bring in locksets from their home for re-keying.
- Illustrated instructions in English, French and Spanish.



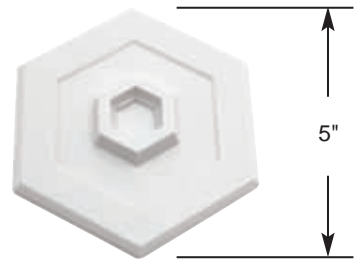
Item #	Description	Package Qty.
E-2400	Kwikset Re-Key A Lock, 5-pin	1 each
E-2401	Kwikset "Titan" Re-Key A Lock, 6-pin	1 each
E-2402	Schlage "C" Re-Key A Lock, 5-pin	1 each
E-2403	Schlage Re-Key A Lock, 6-pin	1 each
E-2404	Weiser Re-Key A Lock, 5-pin	1 each

Door Knob and Wall Shield

Top Selling Item



BEFORE



- Protects interior walls from impact damage by shielding contact point of wall and door.
- Self-adhesive backer eliminates need for tools or fasteners.
- Paintable surface accepts both latex or oil based paints.
- Eliminates the need for unsightly spring or rigid type, base moulding stops.
- Easily repairs door knob holes in wall board without messy spackling.

Size	Color	Surface	Part Number		Box Quantity
			Carded	Bagged	
3-1/4" Round	Ivory	Textured	—	CCEP-9185	100
			U-9185	—	10
			SCU-9185	—	12
3-1/4" Round	White	Textured	—	CCEP-9243	100
			U-9243	—	10
			SCU-9243	—	12
3-1/4" Round	Ivory	Smooth	—	CCEP-9267	100
			U-9267	—	10
			SCU-9267	—	12
3-1/4" Round	White	Smooth	—	CCEP-9270	100
			U-9270	—	10
			SCU-9270	—	12
5" Round	Ivory	Textured	—	CCEP-9186	100
			U-9186	—	10
			SCU-9186	—	12
5" Round	White	Textured	—	CCEP-9244	100
			U-9244	—	10
			SCU-9244	—	12
5" Round	Ivory	Smooth	—	CCEP-9268	100
			U-9268	—	10
			SCU-9268	—	12
5" Round	White	Smooth	—	CCEP-9271	100
			U-9271	—	10
			SCU-9271	—	12
5" Hex	Ivory	Concave	—	CCEP-9140	100
			U-9140	—	10
			SCU-9140	—	12
5" Hex	White	Concave	—	CCEP-9275	100
			U-9275	—	10
			SCU-9275	—	12

Mini Bumper for Doors and Walls



- 2" x 2"
- Repair hinge pin door stop holes
- Repair door knob dents in walls
- Paintable
- Protects from impact damage by shielding contact point door.
- Self-adhesive backer eliminates need for tools or fasteners.

Color	Surface	Carded	Pack Quantity	Box Quantity
White	Textured	U-10866	2	10
Ivory	Textured	U-10867	2	10
Dark Brown	Textured	U-10868	2	10

Deadlatch & Deadbolt Accessories

- E-2232** (Brass plated finish - 2 per card)
- E-2307** (Brass plated finish - 1 per card)
- E-2332** (Brass plated finish - 10 per card)
- E-2349** (Brass plated finish - 20 per box)

- E-2233** (Antique brass plated finish - 2 per card)
- E-2308** (Antique brass plated finish - 1 per card)
- E-2430** (Antique brass plated finish - 20 per box)

- E-2234** (Chrome plated finish - 2 per card)
- E-2309** (Chrome plated finish - 1 per card)

- E-2301** (Stainless steel finish - 2 per card)

- E-2457** (Satin nickel finish - 2 per card)
- E-2456** (Satin nickel finish - 1 per card)
- E-2431** (Satin nickel finish - 20 per box)

- E-2516** (Classic bronze plated finish - 2 per card)
- E-2517** (Classic bronze plated finish - 1 per card)▲
- E-2548** (Classic bronze plated finish - 20 per box)

Standard Latch Strike

Contents: Strike(s) with 2 (or 4) #8 x 1" Phillips flat head screws.

Description: Steel strike with **adjustable tab**; replaces most residential interior and exterior strikes.

Standard Pack: 5/box

- E-2347** (Brass plated finish - 2" lip)
- E-2458** (Brass plated finish - 2-1/2" lip)
- E-2345** (Solid brass - 3" lip)

Extended Lip Strike

Contents: 1 strike with (2) #8 x 1" Phillips flat head screws.

Description: Solid brass strike with **adjustable tab**; for wide jambs with decorative molding.

Standard Pack: 5/box

- U-9486** (Brass plated finish)
- U-9488** (Chrome plated finish)

Adjustable Strike

Contents: 3 piece strike with (2) #8 x 1" Phillips flat head screws.

Description: Adjustability provides snug fit of door to jamb, stops rattle, assures engagement of deadlatch function; may be used on residential or commercial frames.

Standard Pack: 5/box

- U-10276** (Brass plated finish)
- U-10277** (Antique brass plated finish)
- U-10278** (Chrome plated finish)

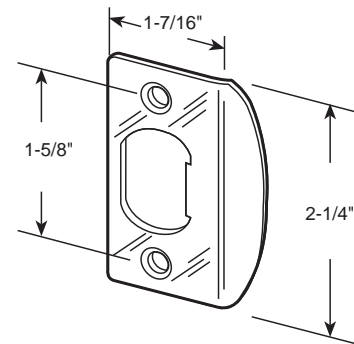
Adjustable Strike

Contents: 2 piece strike with (2) #8 x 3/8" Phillips flat head machine screws and (2) #8 x 1" Phillips flat head screws.

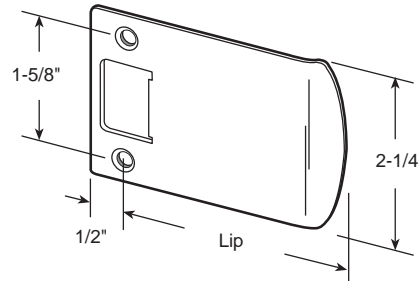
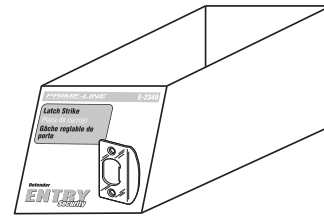
Description: Adjustability provides snug fit of door to jamb, stops rattle, assures engagement of deadlatch function; may be used on residential or commercial frames. Used on **Roberts** redi-frame and **Timely** metal frames.

Standard Pack: 5/box

- E-2232**
- E-2233**
- E-2234**
- E-2301**
- E-2307**
- E-2308**
- E-2309**
- E-2456**
- E-2457**
- E-2516**
- E-2517**

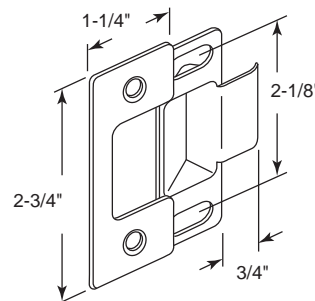
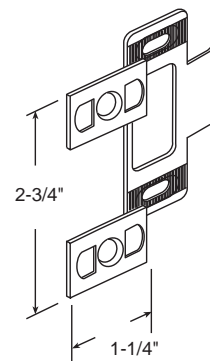


- E-2349**
- E-2430**
- E-2431**
- E-2548**



- E-2347**
- E-2458**
- E-2345**

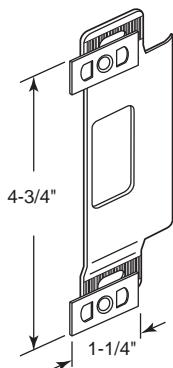
- U-9486**
- U-9488**



- U-10276**
- U-10277**
- U-10278**

▲ Call For Availability

U-9495



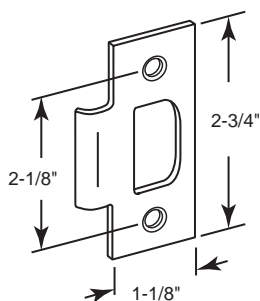
U-9495 (Brass plated finish)

Adjustable Strike

Contents: 3 piece strike with (2) #6 x 1-1/2" Phillips pan head sheet metal screws.

Description: Adjustability provides snug fit of door to jamb, stops rattle, assures engagement of deadlatch function; may be used on residential or commercial frames.

Standard Pack: 5/box



**E-2433
E-2467**

E-2467 (Brass plated finish)

E-2433 (Chrome plated finish)

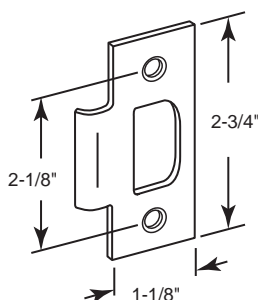
Standard "T" Strike

Contents: 1 strike with (2) #8 x 1" Phillips flat head combination screws.

Description: Used on wood or metal jambs with most grade 2 locksets.

Standard Pack: 5/box

**E-2284
E-2299
E-2568**



E-2284 (Solid polished brass)

E-2299 (Stainless steel finish)

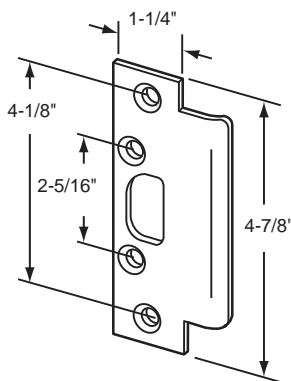
E-2568 (Classic bronze finish)

Standard "T" Strike (Meets ANSI A156.2)

Contents: 1 strike with (2) #8 x 1" Phillips flat head combination screws.

Description: Solid brass strike, used on wood or metal jambs with most grade 2 locksets.

Standard Pack: 5/box



**EP-2236
EP-2291
EP-2298**

EP-2236 (Brass plated finish)

EP-2291 (Antique brass plated finish)

EP-2298 (Chrome)

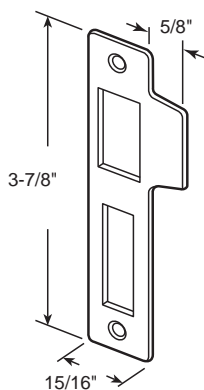
Security Latch Strike (Poly-bagged)

Contents: Strike with (2) #8 x 1" Phillips flat head screws and (2) #8 x 3" Phillips drywall screws.

Description: Fits A.N.S.I. cut-out for commercial and residential applications, improves security with 3" long screws attaching to wall stud.

Standard Pack: 5/bag

E-2436



E-2436 (Brass plated finish)▲

Security Latch Strike

Contents: 1 strike with (2) #8 x 1" Phillips flat head screws.

Description: Used with mortise locks E-2293, E-2294 and E-2311.

Standard Pack: 5/box

▲ Call For Availability

Deadlatch & Deadbolt Accessories

- U-9428** (Brass plated steel)
- U-10535** (Antique brass plated finish)
- U-9429** (Chrome plated steel)

Standard Commercial Strike

Contents: 1 strike with (2) #12-24 x 1" Phillips flat head combination screws.

Description: Used on wood or metal jambs with most grade 1 or 2 locksets; fits ANSI cut-out.

Standard Pack: 5/box

- U-9484** (Solid polished brass)
- U-9483** (Stainless steel)

Standard A.S.A. Commercial Strike

Contents: 1 strike with (2) #12-24 x 1" Phillips flat head combination screws.

Description: Used on wood or metal jambs with most grade 1 or 2 locksets; fits ANSI cut-out (meets ANSI A156.2)

Standard Pack: 5/box

- E-2435** (Brass plated finish)

Security Latch Strike

Contents: 1 strike with (2) #8 x 1" Phillips flat head screws.

Description: Used with mortise locks E-2293, E-2294 and E-2311.

Standard Pack: 5/box

- U-9422** (Brass plated finish)
- U-9424** (Antique brass plated finish)
- U-9474** (Chrome plated finish)

Security Latch Strike

Contents: 1 strike with (2) #8 Phillips flat head screws and (2) #8 x 3" Phillips drywall screws.

Description: Replaces standard strikes and provides improved security with 3" screws attaching to wall stud.

Standard Pack: 5/box

- U-9989** (Brass plated finish)
- U-9990** (Antique brass plated finish)

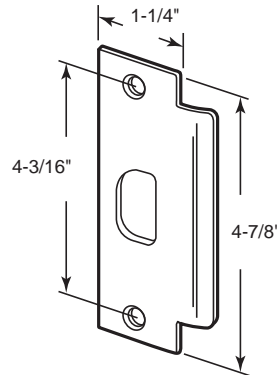
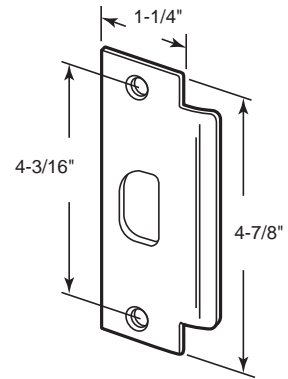
Security Strike Kit (For deadbolt & latch combinations)

Contents: 2 strikes with (4) #8 x 1" Phillips flat head screws and (4) #8 x 3" Phillips drywall screws.

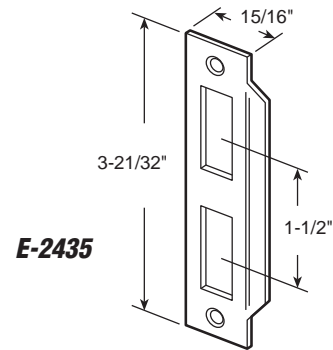
Description: Allows hole center flexibility in securing combination deadbolt and entry lock installation, improves security with 3" long screws attaching to wall stud.

Standard Pack: 6/box

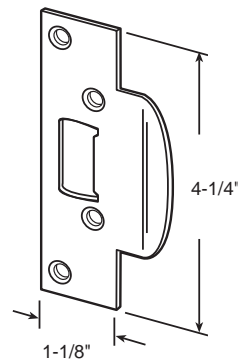
**U-9428
U-9429
U-10535**



**U-9483
U-9484**

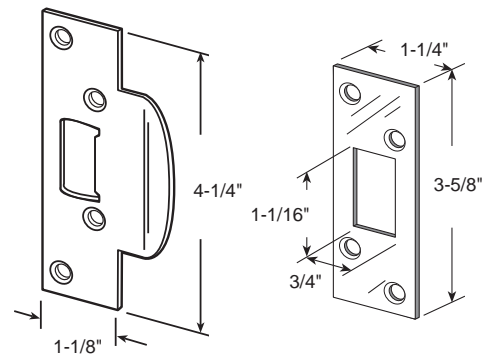


E-2435



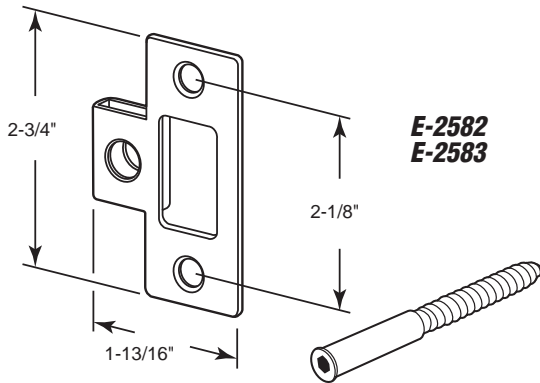
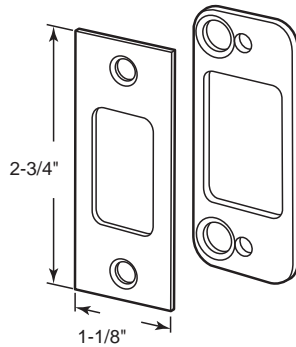
**U-9422
U-9424
U-9474**

**U-9989
U-9990**



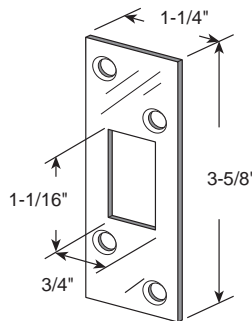
▲ Call For Availability

E-2479
E-2482
E-2483
E-2688

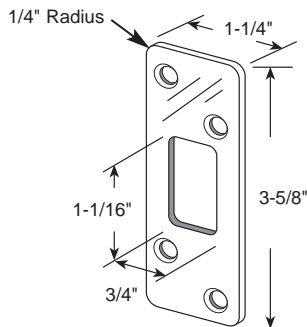


E-2582
E-2583

E-2235
E-2285
E-2292
E-2461
E-2462
E-2687



E-2302
E-2303
E-2304



E-2479 (Brass plated finish)
E-2480 (Antique brass plated finish)
E-2483 (Satin nickel plated finish)
E-2482 (Classic bronze finish)
E-2688 (Stainless steel finish)

Security Deadbolt Strike

Contents: 1 anchor plate; 1 plated cover; 1 set of installation screws.

Description: 1/8" thick heavy gauge steel base allows 3" screws to anchor to wall stud; finished cover matches common exterior trim; used by **Schlage**.

Standard Pack: 3/box

E-2582 (Brass plated finish)
E-2583 (Satin nickel finish)

Security Deadbolt Strike

Contents: Strike; 1 set of installation screws.

Description: Steel plated strike replaces most deadbolt strikes for increased security; 3-5/8" heavy-duty screw included for added security to aide in deterring forced entry.

Standard Pack: 4/box

E-2235 (Brass plated finish)
E-2285 (Antique brass plated finish)
E-2292 (Nickel plated finish)
E-2461 (Satin nickel plated finish)
E-2462 (Classic bronze finish)
E-2687 (Stainless steel finish)

Security Deadbolt Strike

Contents: Strike with (2) #8 x 1" and (2) #8 x 3" Phillips drywall screws.

Description: Plated steel strike replaces most deadbolt strikes for increased security, a result of securing 3" screws to wall stud.

Standard Pack: 5/box

E-2302 (Brass plated finish)
E-2303 (Antique brass plated finish)
E-2304 (Chrome plated finish)

Security Deadbolt Strike

Contents: Strike with (2) #8 x 1" and (2) #8 x 3" Phillips drywall screws.

Description: Plated steel strike replaces most deadbolt strike for increased security, a result of securing 3" screws to wall stud.

Standard Pack: 5/box

▲ Call For Availability

Deadlatch & Deadbolt Accessories

- E-2324** (Brass plated finish)
- E-2341** (Antique brass plated finish)
- E-2325** (Nickel plated finish)
- E-2342** (Antique nickel plated finish)
- E-2340** (Classic bronze finish)

Continuous Lip Deadbolt Strike

Contents: 1 strike with (2) #8 x 1" Phillips flat head screws and (2) #8 x 3" Phillips drywall screws.

Description: Combination deadlatch and deadbolt strike replaces standard strikes and provides improved security with 3" long screws attaching to wall stud.

You may wish to stock these related parts: **E-2235, U-9426.**

Standard Pack: 5/box

- U-9426** (Brass plated finish)
- U-9476** (Chrome plated finish)
- U-11124** (Satin nickel finish)▲
- U-11125** (Classic bronze finish)▲

Maximum Security Latch Strike

Contents: 1 strike with (2) #8 x 1" Phillips flat head screws and (4) #8 x 3" Phillips drywall screws.

Description: Strengthens or repairs wood jambs, improves security with 3" long screws attaching to wall stud.

You may wish to stock these related parts: **E-2232, E-2284, U-9486, U-9483.**

Standard Pack: 5/box

- U-9427** (Brass plated finish - 3-5/8" to 4" hole spacing)
- U-9477** (Brushed chrome plated finish - 3-5/8" to 4" hole spacing)
- U-9480** (Brass plated finish - 5-1/2" to 6" hole spacing)
- U-10385** (Satin nickel finish - 5-1/2" to 6" hole spacing)

Maximum Security Combination Strike

Contents: 1 strike with (3) #8 x 1" Phillips flat head screws and (6) #8 x 3" Phillips drywall screws.

Description: Replaces standard latch and deadbolt strikes with one piece security, repairs or strengthens with 3" long screws that attach to wall stud.

You may wish to stock these related parts: **U-9425, U-9426.**

Standard Pack: 5/box

- U-9425** (Brass plated finish)
- U-9475** (Chrome plated finish)
- U-9991** (Antique brass plated finish)

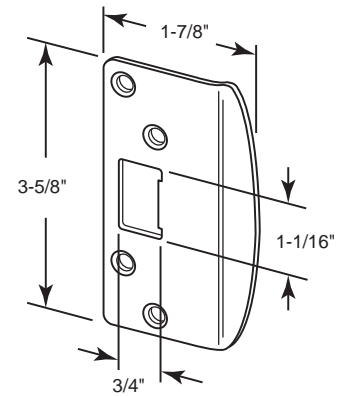
Maximum Security Deadbolt Strike

Contents: 1 strike with (2) #8 x 1" Phillips flat head screws and (4) #8 x 3" Phillips drywall screws.

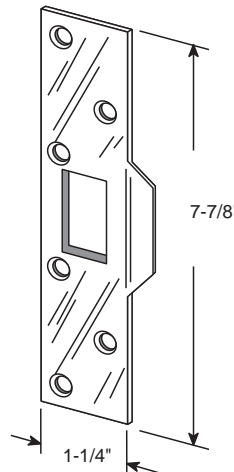
Description: Strengthens or repairs wood jambs, improves security with 3" long screws attaching to wall stud.

You may wish to stock these related parts: **E-2235 and U-9426.**

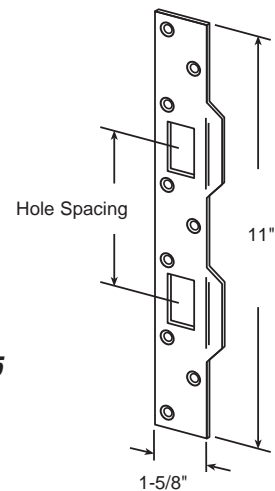
Standard Pack: 5/box



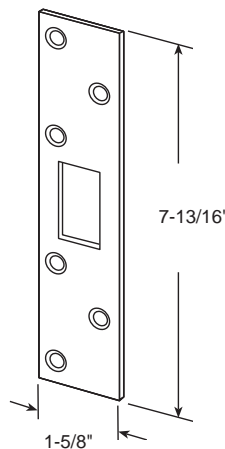
- E-2324**
- E-2325**
- E-2340**
- E-2341**
- E-2342**



- U-9426**
- U-9476**
- U-11124**
- U-11125**



- U-9427**
- U-9477**
- U-9480**
- U-10385**



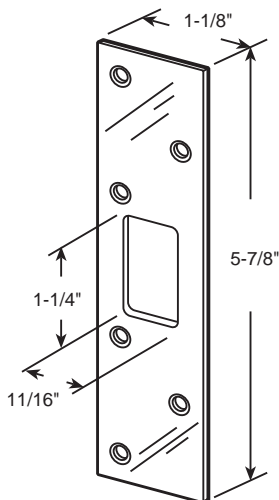
- U-9425**
- U-9475**
- U-9991**



▲ Call For Availability

U-9535
U-9536
U-9993

For
1-3/8"
 Thick
 Doors



U-9535 (Brass plated finish)
U-9536 (Chrome plated finish)
U-9993 (Antique brass plated finish)

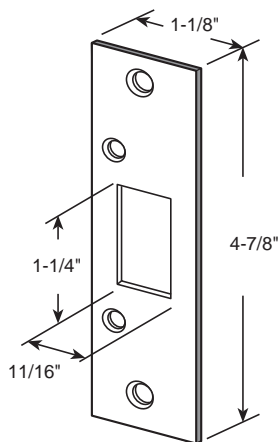
Maximum Security Deadbolt Strike

Contents: 1 strike with (2) #8 x 1" Phillips flat head screws and (4) #8 x 3" Phillips drywall screws.

Description: Strengthens or repairs wood jambs, improves security with 3" long screws attaching to wall stud.

You may wish to stock these related parts: **E-2235** and **U-9425**.

Standard Pack: 5/box



E-2432

E-2432 (Brass plated finish)

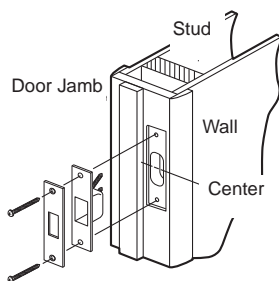
High Security Deadbolt Strike

Contents: 1 strike with (2) #12 x 1" Phillips flat head screws and (4) #8 x 3" Phillips drywall screws.

Description: Strengthens or repairs wood jambs, improves security with 3" long screws attaching to wall stud.

You may wish to stock these related parts: **E-2235** and **U-9425**.

Standard Pack: 5/box



U-9539

U-9539 (Brass plated finish)

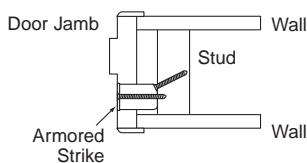
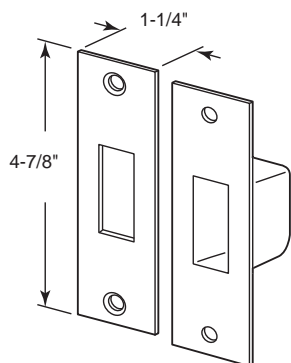
Armored Security Strike

Contents: 1 box strike; 1 face plate and installation screws.

Description: Zinc and brass plated steel strike and face plate; some mortising required; screws at base of box strike secure to 2" x 4" framing for added security.

You may wish to stock these related parts: **E-2232**, **E 2284**, **U-9486** and **U-9483**.

Standard Pack: 5/box



▲ Call For Availability

Lock & Door Reinforcers

Part No.	Finish	Backset	Door Thickness	Reinforcer Width
U-9547	Brass	2-3/8"	1-3/8"	3-7/8"
U-9548	Brass	2-3/8"	1-3/4"	3-7/8"
U-9549	Brass	2-3/4"	1-3/8"	4-5/16"
U-9550	Brass	2-3/4"	1-3/4"	4-5/16"
U-9568	Antique Brass	2-3/8"	1-3/8"	3-7/8"
U-9569	Antique Brass	2-3/8"	1-3/4"	3-7/8"
U-9571	Antique Brass	2-3/4"	1-3/4"	4-5/16"
U-9585	Stainless Steel	2-3/8"	1-3/8"	3-7/8"
U-9586	Stainless Steel	2-3/8"	1-3/4"	3-7/8"
U-9587▲	Stainless Steel	2-3/4"	1-3/8"	4-5/16"
U-9588	Stainless Steel	2-3/4"	1-3/4"	4-5/16"

Lock & Door Reinforcer

Contents: Solid brass or stainless steel door channel, (2) #10 x 1" combo screws, (2) #10-32 hex nuts, (4) #8 x 5/8" Phillips truss head screws.

Description: Reinforces and repairs doors; assists in preventing forced entry; use on wood or metal doors with mortise or drive-in latches; accommodates key-in-knob locksets or deadbolts; easy to install.

You may wish to stock these related parts: **U-9426, U-9555, U-9556, U-9558, U-9564 and U-9565.**

Standard Pack: 4/box

- Used to secure door when installing locksets.
- Improve integrity of jamb with a security strike.
- Repairs split or damaged doors.
- Solid brass or stainless steel.

Part No.	Finish	Backset	Door Thickness	Reinforcer Width
U-9540	Brass	2-3/8"	1-3/8"	3-7/8"
U-9541	Brass	2-3/8"	1-3/4"	3-7/8"
U-9551	Stainless Steel	2-3/8"	1-3/4"	3-7/8"
U-9552▲	Stainless Steel	2-3/4"	1-3/4"	4-5/16"

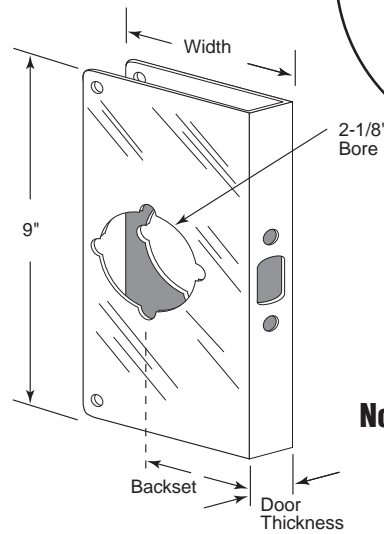
Lock & Door Reinforcer

Contents: Solid brass or stainless steel door channel, (2) #10 x 1" combo screws, (2) #10-32 hex nuts, (4) #8 x 5/8" Phillips truss head screws.

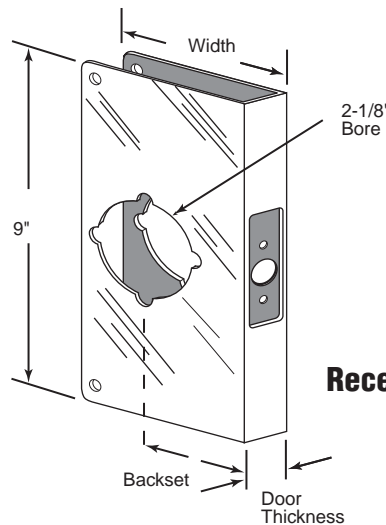
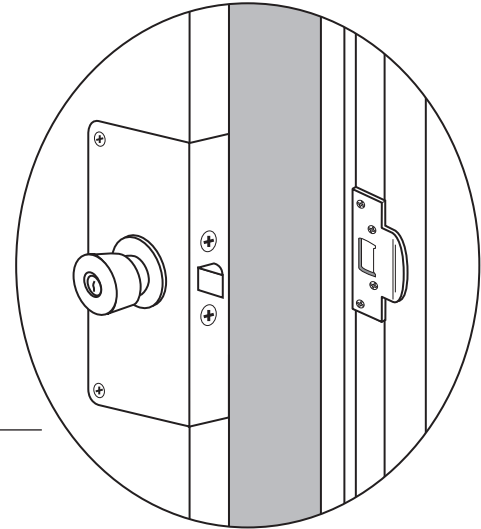
Description: Reinforces and repairs doors; assists in preventing forced entry; use on wood or metal doors with mortise or drive-in latches; accommodates key-in-knob locksets or deadbolts; easy to install.

You may wish to stock these related parts: **U-9426, U-9543, U-9544, U-9545, U-9553 and U-9554.**

Standard Pack: 4/box



Non-recessed

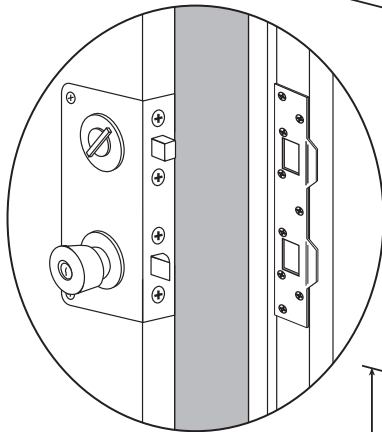
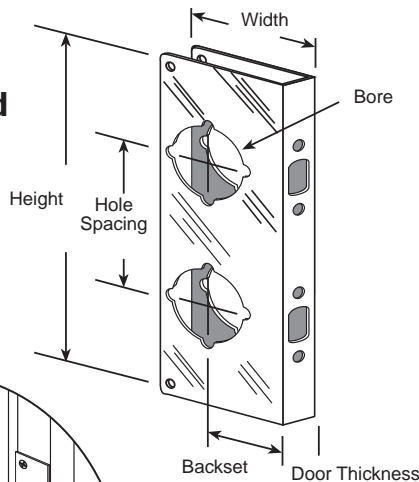


Recessed

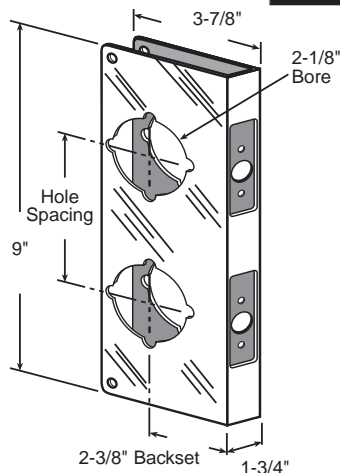
▲ Call For Availability

Part No.	Finish	Bore	Backset	Hole Spacing	Door Thickness	Reinforcer Width	Reinforcer Height
U-9559	Brass	2-1/8"	2-3/8"	3-5/8"	1-3/8"	3-7/8"	9"
U-9560	Brass	2-1/8"	2-3/8"	3-5/8"	1-3/4"	3-7/8"	9"
U-9561	Brass	2-1/8"	2-3/4"	3-5/8"	1-3/4"	4-5/16"	9"
U-9577	Antique Brass	2-1/8"	2-3/8"	3-5/8"	1-3/4"	3-7/8"	9"
U-9595	Stainless Steel	2-1/8"	2-3/4"	3-5/8"	1-3/4"	4-5/16"	9"
U-9931	Brass	1-1/2" & 2-1/8"	2-3/4"	5-1/2"	1-3/4"	4-5/16"	10-7/8"
U-9537	Brass	2-1/8"	2-3/8"	5-1/2"	1-3/4"	3-7/8"	10-7/8"
U-9479	Brass	2-1/8"	2-3/4"	5-1/2"	1-3/4"	4-5/16"	10-7/8"
U-11072	Stainless Steel	1-1/2" & 2-1/8"	2-3/4"	5-1/2"	1-3/4"	4-5/16"	10-7/8"
U-10539	Stainless Steel	2-1/8"	2-3/8"	5-1/2"	1-3/4"	3-7/8"	10-7/8"
U-10546	Stainless Steel	2-1/8"	2-3/4"	5-1/2"	1-3/4"	4-5/16"	10-7/8"
U-10750	Classic Bronze	2-1/8"	2-3/8"	5-1/2"	1-3/4"	3-7/8"	10-7/8"
U-9977	Brass	1-1/2" & 2-1/8"	2-3/4"	6"	1-3/4"	4-5/16"	10-7/8"
U-10542	Stainless Steel	2-1/8"	2-3/8"	6"	1-3/4"	3-7/8"	10-7/8"

Non-recessed



Recessed



▲ Call For Availability

Combination Lock & Door Reinforcer

Contents: Solid brass or stainless steel door channel, (4) #10 x 1" combo screws, (4) #10-32 hex nuts, (4) #8 x 5/8" Phillips truss head screws.

Description: Reinforces and repairs doors; assists in preventing forced entry; use on wood or metal doors with mortise or drive-in latches; accommodates key-in-knob locksets and deadbolts or combination locksets; easy to install.

You may wish to stock these related parts: **U-9427, U-9480, U-9547, U-9548, U-9555 and U-9556.**

Standard Pack: 4/box

- Used to secure door when installing combination lockset and deadbolt.
- Improve integrity of jamb with security strike(s).
- Repairs split or damaged doors.
- Solid brass or stainless steel.

U-9546 (Brass - 3-5/8" hole centers)

U-9998 (Brass - 4" hole centers)▲

Combination Lock & Door Reinforcer

Contents: Solid brass door channel, (4) #10 x 1" combo screws, (4) #10-32 hex nuts, (4) #8 x 5/8" Phillips truss head screws.

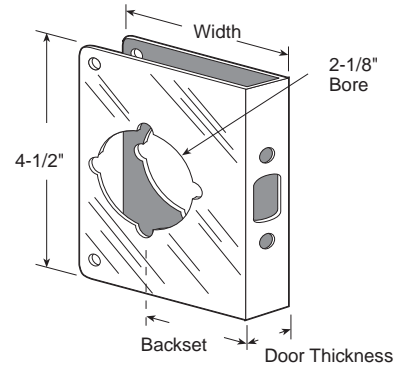
Description: Reinforces and repairs doors; assists in preventing forced entry; use on wood or metal doors with mortise or drive-in latches; accommodates key-in-knob locksets and deadbolts or combination locksets; easy to install.

You may wish to stock these related parts: **U-9427, U-9540, U-9541, U-9551 and U-9553.**

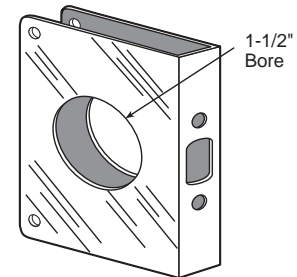
Standard Pack: 4/box

Lock & Door Reinforcers

Part No.	Finish	Bore	Backset	Door Thickness	Reinforcer Width
U-9555	Brass	2-1/8"	2-3/8"	1-3/8"	3-7/8"
U-9556	Brass	2-1/8"	2-3/8"	1-3/4"	3-7/8"
U-9558	Brass	2-1/8"	2-3/4"	1-3/4"	4-5/16"
U-9564	Brass	1-1/2"	2-3/8"	1-3/8"	3-7/8"
U-9565	Brass	1-1/2"	2-3/8"	1-3/4"	3-7/8"
U-9978	Brass	1-1/2"	2-3/4"	1-3/4"	4-5/16"
U-9572	Antique Brass	2-1/8"	2-3/8"	1-3/8"	3-7/8"
U-9573	Antique Brass	2-1/8"	2-3/8"	1-3/4"	3-7/8"
U-9575	Antique Brass	2-1/8"	2-3/4"	1-3/4"	4-5/16"
U-9589	Stainless Steel	2-1/8"	2-3/8"	1-3/8"	3-7/8"
U-9590	Stainless Steel	2-1/8"	2-3/8"	1-3/4"	3-7/8"
U-9591	Stainless Steel	2-1/8"	2-3/4"	1-3/8"	4-5/16"
U-9592	Stainless Steel	2-1/8"	2-3/4"	1-3/4"	4-5/16"
U-9599	Stainless Steel	1-1/2"	2-3/8"	1-3/4"	3-7/8"
U-10744	Classic Bronze	2-1/8"	2-3/8"	1-3/8"	3-7/8"
U-10745	Classic Bronze	2-1/8"	2-3/8"	1-3/4"	3-7/8"



Non-recessed



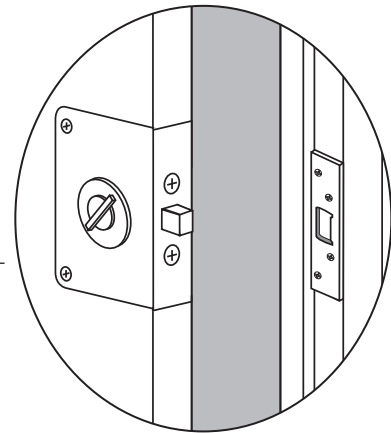
Lock & Door Reinforcer

Contents: Solid brass or stainless steel door channel, (2) #10 x 1" combo screws, (2) #10-32 hex nuts, (4) #8 x 5/8" Phillips truss head screws.

Description: Reinforces and repairs doors; assists in preventing forced entry; use on wood or metal doors with mortise or drive-in latches; accommodates key-in knob locksets or deadbolts; easy to install.

Standard Pack: 4/box

- Used to secure door when installing deadbolts.
- Improve integrity of jamb with a security strike.
- Repairs split or damaged doors.
- Solid brass or stainless steel.



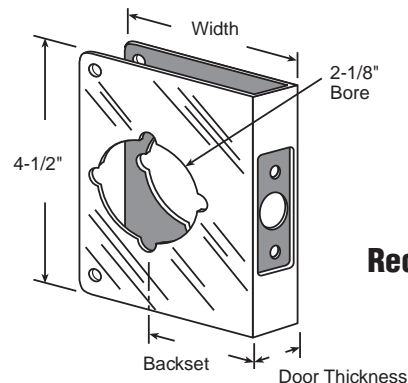
Part No.	Finish	Backset	Door Thickness	Reinforcer Width
U-9543	Brass	2-3/8"	1-3/8"	3-7/8"
U-9544	Brass	2-3/8"	1-3/4"	3-7/8"
U-9979	Antique Brass	2-3/8"	1-3/4"	3-7/8"
U-9553	Stainless Steel	2-3/8"	1-3/4"	3-7/8"
U-9554	Stainless Steel	2-3/4"	1-3/4"	4-5/16"

Lock & Door Reinforcer

Contents: Solid brass or stainless steel door channel, (2) #10 x 1" combo screws, (2) #10-32 hex nuts, (4) #8 x 5/8" Phillips truss head screws.

Description: Reinforces and repairs doors; assists in preventing forced entry; use on wood or metal doors with mortise or drive-in latches; accommodates key-in knob locksets or deadbolts; easy to install.

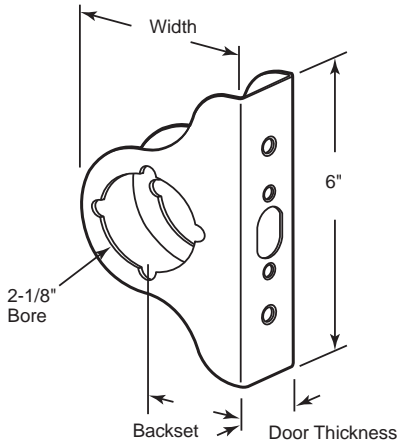
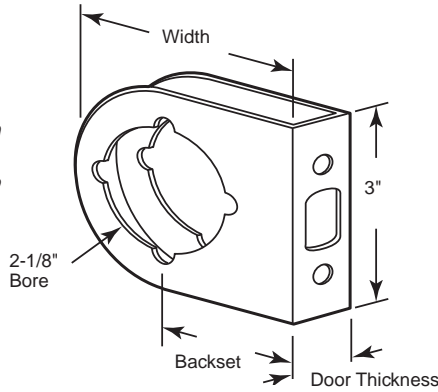
Standard Pack: 4/box



Recessed

▲ Call For Availability

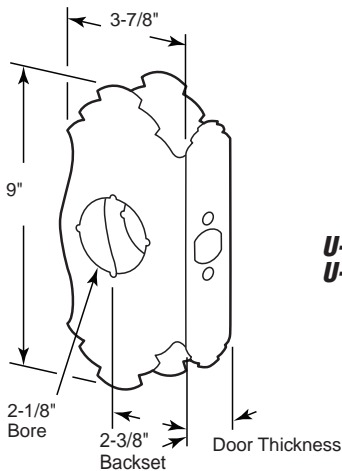
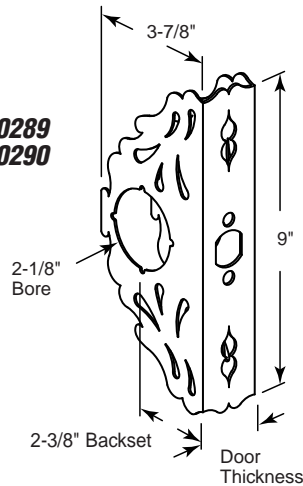
U-10260
U-10261
U-10262



U-10263
U-10264
U-10265

*Spanish
Scroll*

U-10289
U-10290



U-10823
U-10824

Colonial

Part No.	Finish	Backset	Door Thickness	Reinforcer Width
U-10260	Brass	2-3/8"	1-3/8"	3-7/8"
U-10261	Brass	2-3/8"	1-3/4"	3-7/8"
U-10262	Brass	2-3/4"	1-3/4"	4-5/16"

Door Edge Reinforcer

Contents: Solid brass door channel; (2) #8 x 1" combo screws.

Description: Reinforces and repairs doors; assists in preventing forced entry; use on wood or metal doors with mortise or drive-in latches; accommodates key-in knob locksets or deadbolts; easy to install.

Standard Pack: 4/box

Part No.	Finish	Backset	Door Thickness	Reinforcer Width
U-10263	Brass	2-3/8"	1-3/8"	3-7/8"
U-10264	Brass	2-3/8"	1-3/4"	3-7/8"
U-10265	Brass	2-3/4"	1-3/4"	4-5/16"

Door Edge Reinforcer

Contents: Solid brass door channel; (4) #8 x 1" combo screws.

Description: Reinforces and repairs doors; assists in preventing forced entry; use on wood or metal doors with mortise or drive-in latches; accommodates key-in knob locksets or deadbolts; easy to install.

Standard Pack: 4/box

U-10289 (For 1-3/8" thick doors)

U-10290 (For 1-3/4" thick doors)

Door Edge Reinforcer

Contents: Solid brass door channel; (2) #8 x 1" combo screws.

Description: Reinforces and repairs doors; assists in preventing forced entry; use on wood or metal doors with mortise or drive-in latches; accommodates key-in knob locksets or deadbolts; easy to install; patent no. D502091.

Standard Pack: 4/box

U-10823 (For 1-3/8" thick doors)

U-10824 (For 1-3/4" thick doors)

Door Edge Reinforcer

Contents: Solid brass door channel; (2) #8 x 1" combo screws.

Description: Reinforces and repairs doors; assists in preventing forced entry; use on wood or metal doors with mortise or drive-in latches; accommodates key-in knob locksets or deadbolts; easy to install; patent no. D599652.

Standard Pack: 4/box

▲ Call For Availability

Lock & Door Reinforcers

Part No.	Finish	Door Thickness
U-9490	Brass	1-3/4"
U-9492	Stainless Steel	1-3/4"

Blank Reinforcer

Contents: Solid brass or stainless steel door channel; (4) #8 x 5/8" Phillips truss head screws.

Description: Covers unsightly holes and damage; can be drilled to accommodate specialty locks.

Standard Pack: 4/box

Part No.	Finish	Door Thickness
U-9566	Brass	1-3/8"
U-9567	Brass	1-3/4"
U-9583	Antique Brass	1-3/8"
U-9584	Antique Brass	1-3/4"
U-9975	Stainless Steel	1-3/8"
U-9976	Stainless Steel	1-3/4"

Door Edge Reinforcer

Contents: Solid brass or stainless steel door channel, (2) #10 x 1" combo screws, (2) #10-32 hex nuts, (4) #8 x 5/8" Phillips truss head screws.

Description: Reinforces and repairs door edge; assists in preventing forced entry; use on wood or metal doors with mortise or drive-in latches; accommodates lockset or deadbolt with any backset; easy to install.

Standard Pack: 4/box

- U-10893** (2-3/8" Backset - 1-3/4" Thick Doors)
- U-10895** (2-3/4" Backset - 1-3/4" Thick Doors)
- U-10896** (Plate only - 1-3/4" Thick Doors, 48")
- U-10902** (Plate only - 1-3/8" Thick Doors, 36")

Door Jamb Reinforcement & Repair Kit

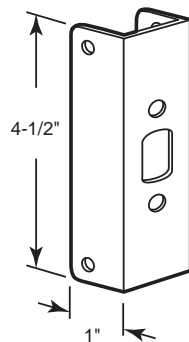
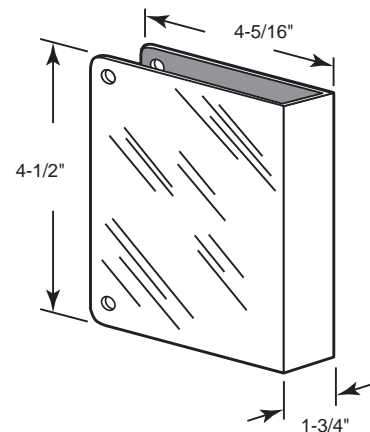
Contents: 1 jamb repair plate; 2 door latch guards; (18) 3-1/2" hardend security screws.

Description: White finish; wraps around existing door jamb to repair or reinforce latch strike area; anchors to wall studs with 3-1/2" hardend screws; additional screws provided to replace hinge screws on both doors and jamb to insure complete security; fits combination deadlatch and deadbolt installations with 3-5/8", 4", 5-1/2" and 6" hole centers.

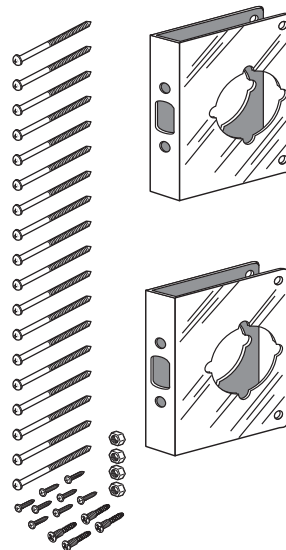
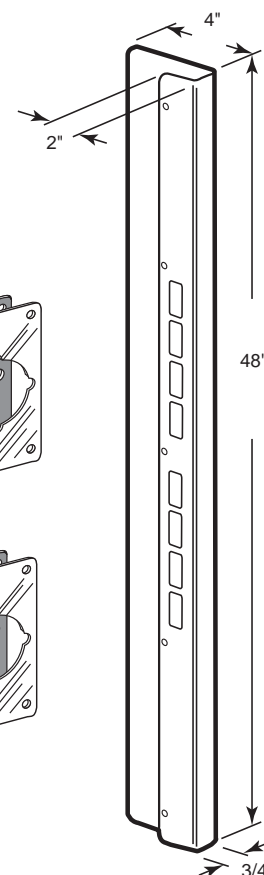
Standard Pack: 4/box

- **Repairs Broken or Splintered Door Jamb**
 - **Paintable to Match Any Color**
 - **Heavy Gauge Steel Construction**
 - **Durable Powder Coated White Finish**

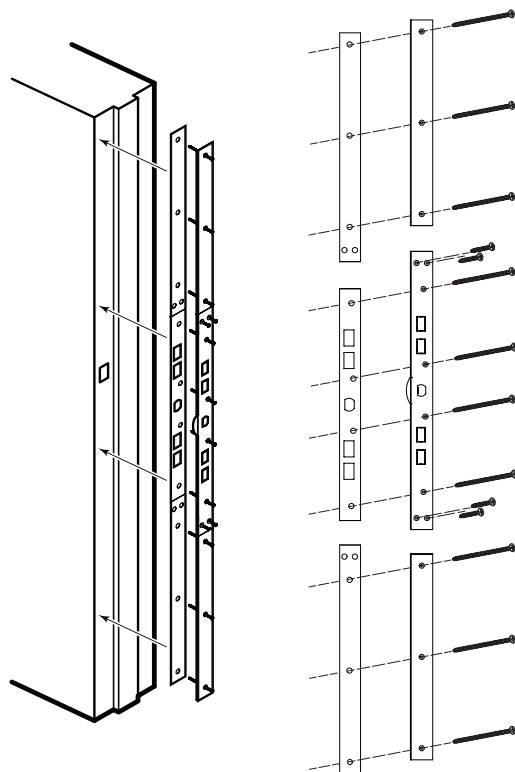
**U-9490
U-9492**



**U-9566
U-9567
U-9583
U-9584
U-9975
U-9976**



▲ Call For Availability



U-11026 (White)

Ultimate Door & Jamb-Repair Reinforcement Kit

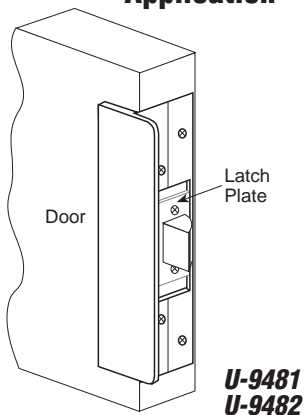
Contents: 2 center section plates; 2 top plates; 2 bottom plates; 2 door latch guards; installation fasteners.

Description: Repairs broken or split jambs in minutes; dual plate design provides 12 Ga. (.105) thickness; 10 no. 8 x 3" screws anchor to the jack stud in wall; includes 2 door edge guards for 1-3/4" thick doors; powder coated white finish, paintable; knockouts for a variety of deadbolt spacings.

Standard Pack: 4/box

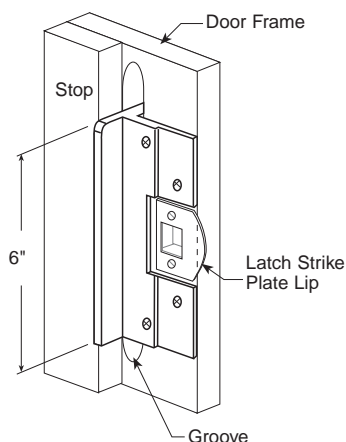
- **Repairs Broken or Splintered Door Jambs**
- **Paintable to Match Any Color**
- **Heavy Gauge Steel Construction**
- **Durable Powder Coated White Finish**

Outswing Application



U-9481
U-9482

Inswing Application



U-9481 (Aluminum anodized)

U-9482 (Gold anodized)

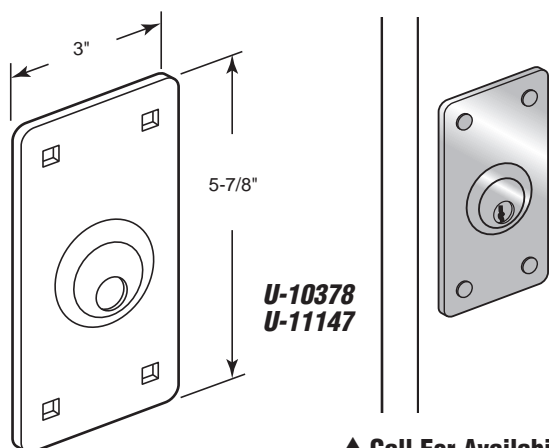
Door Protector (Extruded aluminum)

Contents: Anodized extruded aluminum protector; (4) #6 x 1" Phillip flat head screws

Description: Secures against forced entry; **used on inswing or outswing doors**; requires some mortising, as noted in illustration; mounts to door for outswing application or to door frame for inswing application.

You may wish to stock these related parts: **E-2232, E-2234, U-9486 and U-9488.**

Standard Pack: 6/box



U-10378
U-11147

U-10378 (Brass plated)

Lock Shield (Steel)

Contents: Plated shield; (4) 5/16" x 2" carriage bolts; washers and cap nuts.

Description: Secures against forced entry; **used on outswing doors**; for residential, commercial and industrial use; fits rim cylinder night locks.

Standard Pack: 5/box

▲ **Call For Availability**

Latch Shields

- U-9511** (Painted gray - 6")
- U-9513** (Painted gray - 12")
- U-9512** (Brass plated - 6")
- U-9514** (Brass plated - 12")

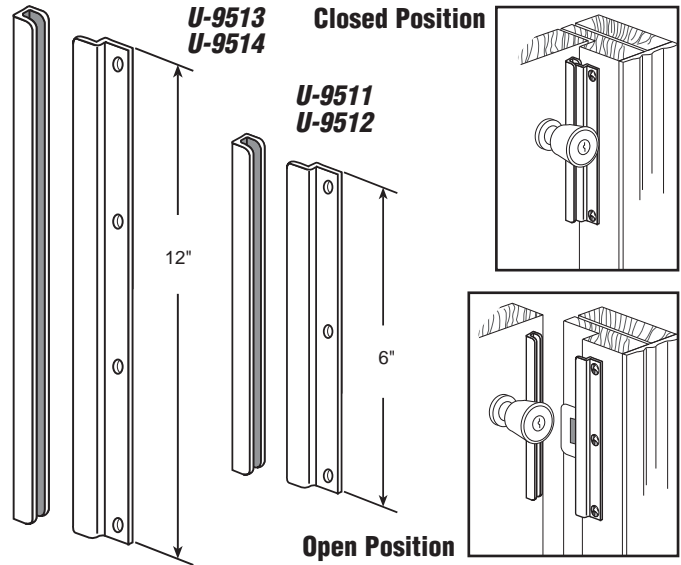
Latch Shield (Steel)

Contents: Plated or painted steel 2 piece shield (1 door channel and 1 interlocking jamb bar); 3 (4) #10 x 1-1/4" tamper-resistant screws; 2 (4) #8 x 1" Phillips flat head screws and 2 #10 x 3/4" Phillips pan head screws.

Description: Use on inswing doors; interlocking brackets protect against forced entry; may be applied to wood or metal doors; special fasteners include one-way screws; **requires no mortising.**

You may wish to stock these related parts: **U-9422, U-9425, U-9426, U-9486 and U-9532.**

Standard Pack: 5/box



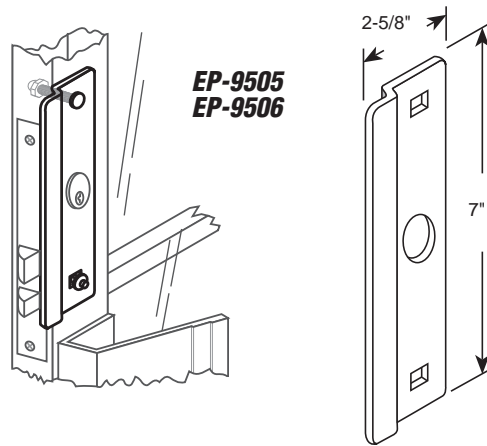
- EP-9505** (Painted gray - 7")
- EP-9506** (Painted bronze - 7")

Latch Shield (Poly-bagged)

Contents: Painted steel shield; (1) 5/16" x 2" carriage bolt; cap nut and washer.

Description: For commercial aluminum entrance doors; used with mortise lock installations where handle or push bar prevent shield from spanning lock.

Standard Pack: 6/bag



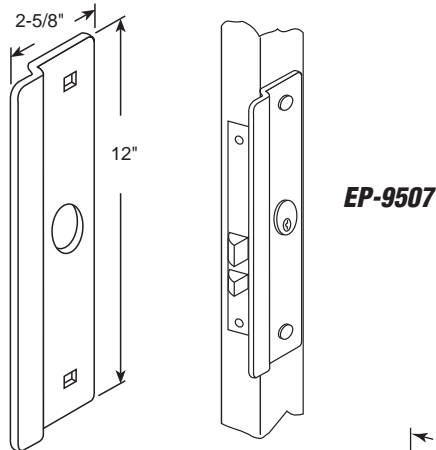
- EP-9507** (Painted gray - 12")

Latch Shield (Poly-bagged)

Contents: Painted steel shield; (2) 5/16" x 2" carriage bolts; washers and cap nuts.

Description: For commercial aluminum entrance doors; used with mortise lock installations to span lock and allow thru-bolt fastening.

Standard Pack: 6/bag



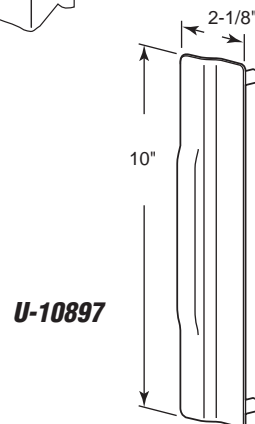
- U-10897** (Stainless Steel - 10")

Latch Shield (Poly-bagged)

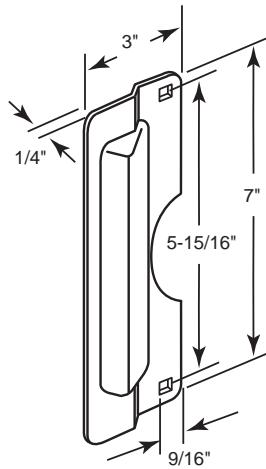
Contents: 1 latch shield; 1 set of installation fasteners.

Description: Stainless steel; designed for narrow outswinging doors with commercial mortise locks; welded studs; 1/4" and 1/2" offsets; 12ga.

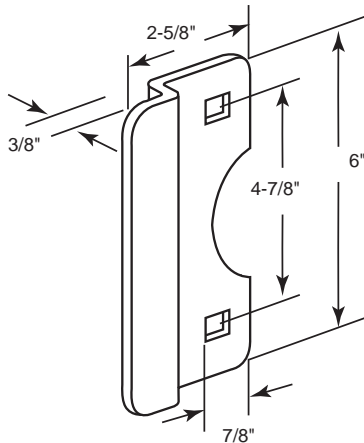
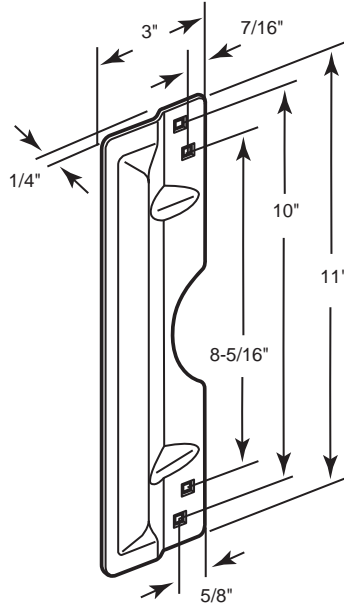
Standard Pack: 6/bag



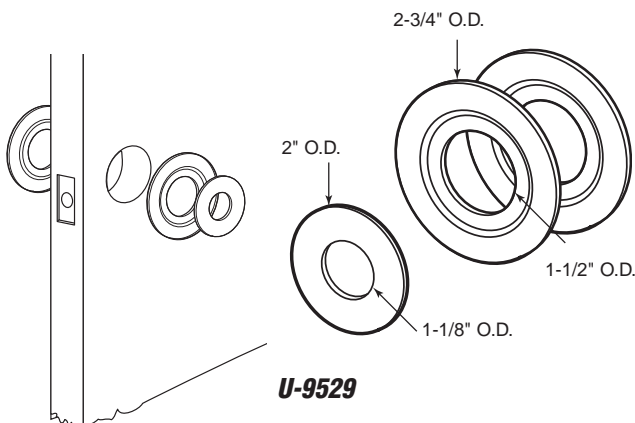
▲ Call For Availability



U-9496
U-9500
U-9501
U-9502
U-9503
U-9504
U-10027



U-9509
U-9510
U-10676



U-9529

▲ Call For Availability

- U-9500** (Painted gray - 7")
- U-9501** (Painted bronze - 7")
- U-9502** (Brass plated - 7")
- U-9496** (Stainless steel - 7")
- U-9503** (Painted gray - 11")
- U-9504** (Painted bronze - 11")
- U-10027** (Brass plated - 11")



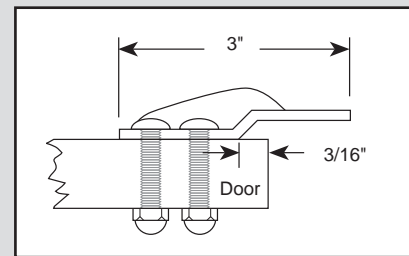
Latch Shield (Steel)

Contents: Painted or plated shield; (2) or (4) 5/16" x 2" carriage bolts; washers and cap nuts.

Description: Secures against forced entry; used on outswing doors; for residential, commercial and industrial use; fits 3" rosette (except U-9504).

You may wish to stock these related parts: **E-2232**, **E-2235**, **U-9422**, **U-9425** and **U-9426**.

Standard Pack: 6/box



- U-9509** (Painted gray)
- U-9510** (Brass plated)
- U-10676** (Stainless steel)



Latch Shield (Steel)

Contents: Painted or plated shield; (2) 5/16" x 2" carriage bolts; washers and cap nuts.

Description: Used on outswing doors; designed for use with locksets with 2-3/8" backsets.

You may wish to stock these related parts: **E-2232**, **E-2235**, **U-9422**, **U-9425** and **U-9426**.

Standard Pack: 6/box

U-9529 (Brass plated) Bore Adaptor Rings

Contents: 1 set.

Description: Reduces 2-1/8" bore to 1-1/2" bore with additional 1-1/8" adaptor ring for rim type cylinders.

Standard Pack: 6/box

Repair Parts

- U-9515** (Painted gray)
- U-9516** (Brass plated)
- U-9531** (Chrome plated finish)
- U-10888** (Antique brass finish)
- U-10677** (Stainless steel)
- U-10446** (Satin nickel finish)

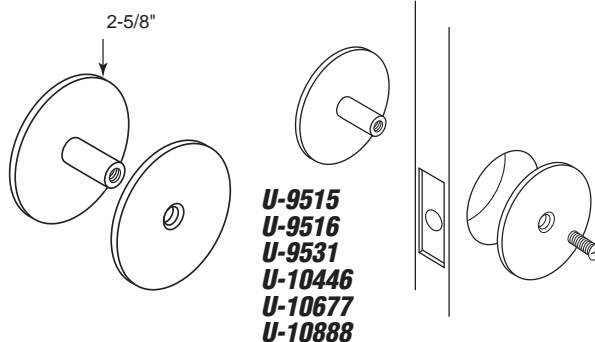
Hole Cover (Steel)

Contents: Painted or plated cover (2 pieces); (1) #10 x 1" and (1) #10 x 1-1/2" machine screw.

Description: Covers 1/2" to 2-1/8" holes; helps maintain entry security; fits doors to 1-3/4" thick.

You may wish to stock these related parts: **EP-9520**, **EP 9521**, **U-9517** and **U-9521**.

Standard Pack: 6/box



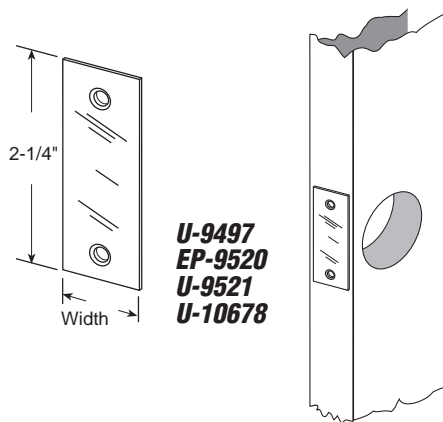
- EP-9520** (1" wide - Painted gray)
- U-9521** (1-1/8" wide - Painted gray)
- U-9497** (1-1/8" wide - Brass plated)
- U-10678** (1-1/8" wide - Stainless steel)

Door Edge Filler Plate (Poly-bagged)

Contents: Painted gray steel filler plate with (2) #8-32 x 1/2" flat head machine screws.

Description: Fills latch face cut-outs for either residential or commercial applications.

Standard Pack: 6/bag



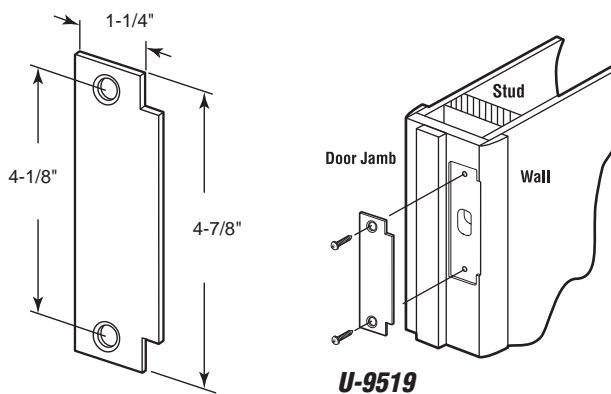
U-9519 (Painted gray)

Blank Strike

Contents: 1 blank strike plate; (2) #12-24 x 1/2" machine screws and (2) #12 x 1-1/4" sheet metal screws.

Description: Painted gray steel blank strike plate; fills strike cut-outs for either residential or commercial applications.

Standard Pack: 5/box



- U-9524** (Brass plated)
- U-9498** (Antique brass finish)
- U-9517** (Chrome plated)

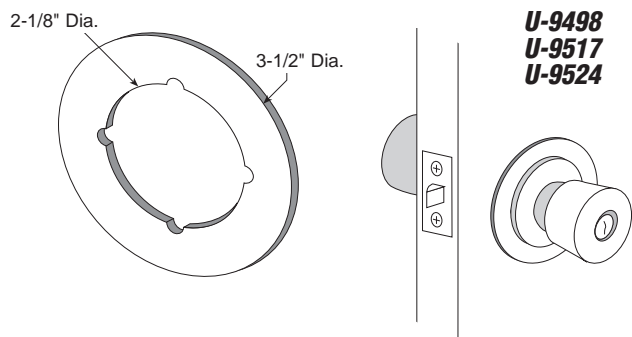
Cover Plate (Steel)

Contents: 2 plated covers.

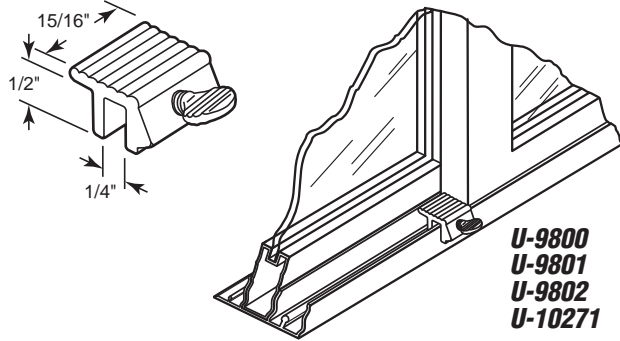
Description: Use with 2-1/8" bore locks; covers marred doors; allows conversion of 2-3/8" to 2-3/4" backset (or 2-3/4" to 2-3/8").

You may wish to stock these related parts: **EP-9520**, **EP 9521**, **U-9515** and **U-9516**.

Standard Pack: 6/box



▲ Call For Availability



U-9800
U-9801
U-9802
U-10271

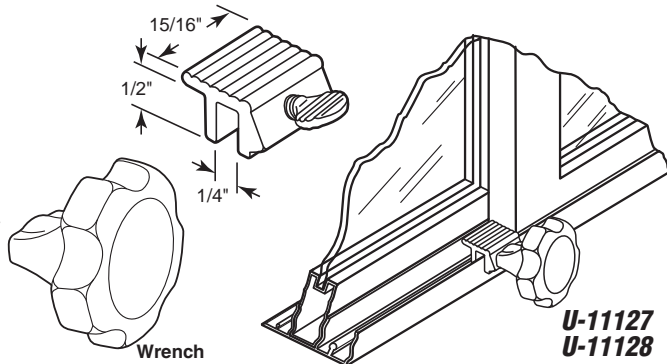
- U-9800** (Aluminum finish)
- U-9801** (Black finish)
- U-9802** (White finish)
- U-10271** (250 pc. Display Box, Bulk w/upc, Aluminum finish)

Thumbscrew Lock

Contents: 2 locks.

Description: Heavy-duty extruded aluminum with single thumbscrew; securely locks window in closed or ventilating position; easy to install.

Standard Pack: 6/box



U-11127
U-11128

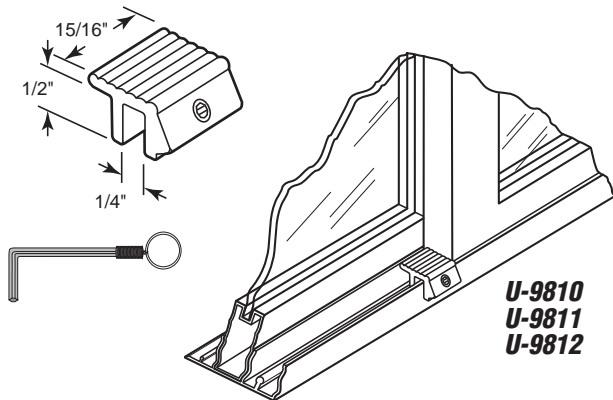
- U-11127** (Aluminum finish)
- U-11128** (White finish)

Thumbscrew Lock & Wrench

Contents: 2 locks; 1 wrench.

Description: Heavy-duty extruded aluminum with single thumbscrew; securely locks window in closed or ventilating position; easy to install; with ergonomic tightening wrench.

Standard Pack: 6/box



U-9810
U-9811
U-9812

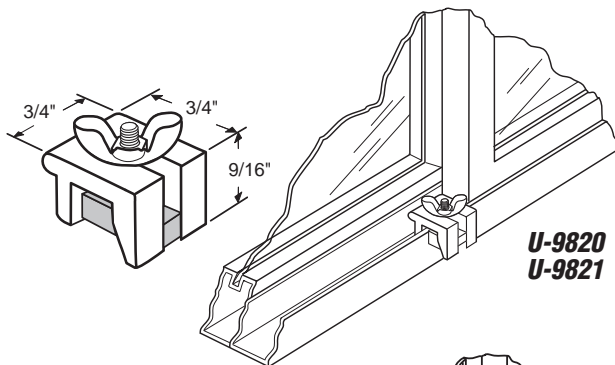
- U-9810** (Aluminum finish)
- U-9811** (Black finish)
- U-9812** (White finish)

Tamper-resistant Lock

Contents: 2 locks & 1 wrench.

Description: Heavy-duty extruded aluminum with tamper-resistant single hex security screw and wrench; securely locks window in closed or ventilating position; prevents accidental opening by children; easy to install.

Standard Pack: 6/box



U-9820
U-9821

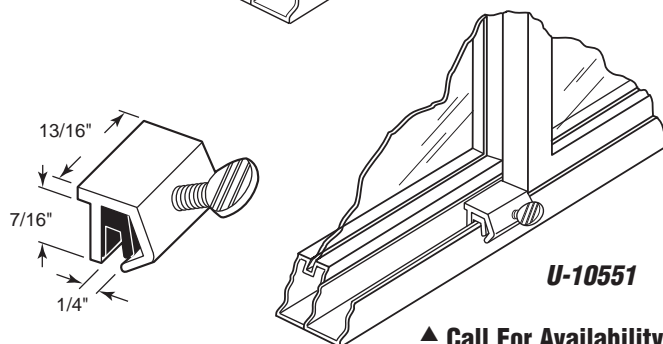
- U-9820** (Aluminum finish - 2 per package)
- U-10875** (Aluminum finish - 4 per package)▲
- U-9821** (White finish - 2 per package)
- U-10876** (White finish - 4 per package)▲

No-mar Lock

Contents: Locks.

Description: Extruded aluminum with no-mar vinyl insert to protect track; fits wide and narrow type tracks; securely locks window in closed or ventilating position; easy to install.

Standard Pack: 6/box



U-10551

- U-10551** (Aluminum finish)

No-mar Lock

Contents: 2 locks.

Description: Extruded aluminum with no-mar vinyl insert to protect track; fits wide and narrow type tracks; securely locks window in closed or ventilating position; easy to install.

Standard Pack: 6/box

▲ Call For Availability

U-9980 (Aluminum finish - 2/card)

U-9819 (Aluminum finish - 4/card)

U-10672* (Aluminum finish - 1/bag - 20 per box)

U-10673* (Aluminum finish - 1/bag - 50 per box)

U-10806* (Aluminum finish - 1/bag - 100 per box)

CCEP-4348* (Aluminum finish - 4/bag - 100 per box)

U-10671* (Aluminum finish - 1/bag - 250 per box)

U-10872* (Black finish - 1/bag - 100 per box)

U-9982 (White finish - 2/card)

U-9823 (White finish - 4/card)

CCEP-4457* (White finish - 4/bag - 100 per box)

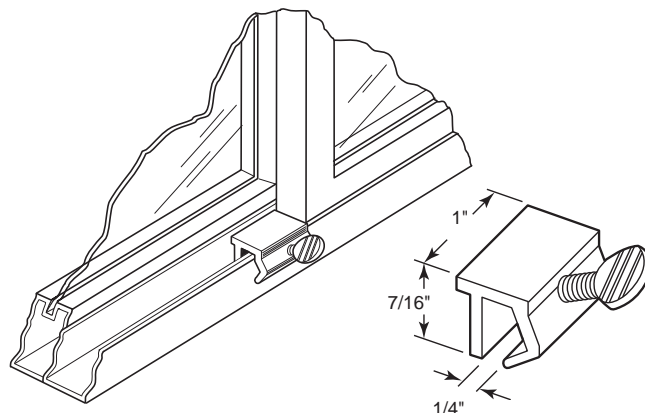
U-10871* (White finish - 1/bag - 100 per box)

Economy Lock

Contents: 1, 2 or 4 locks per package.

Description: Extruded aluminum housing; steel screw; securely locks window in closed or ventilating position; easy to install.

*Special "Value" pack item; merchandised in cut-case box with upc code; ideal for counter top or gondola base.



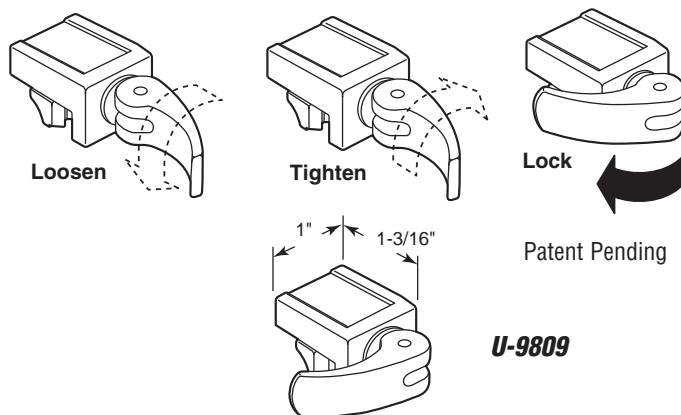
U-9809 (White finish)

Vinyl Window Lock

Contents: 2 locks.

Description: Fits all frame rail thickness from 1/16" to 1/2"; works on 1" wide or greater frame thickness only. "Vise like" grip holds securely; will not damage vinyl rails; ergonomic locking lever; locks in 3 positions; **cast zinc construction.**

Standard Pack: 6/box



U-9824 (Aluminum finish)

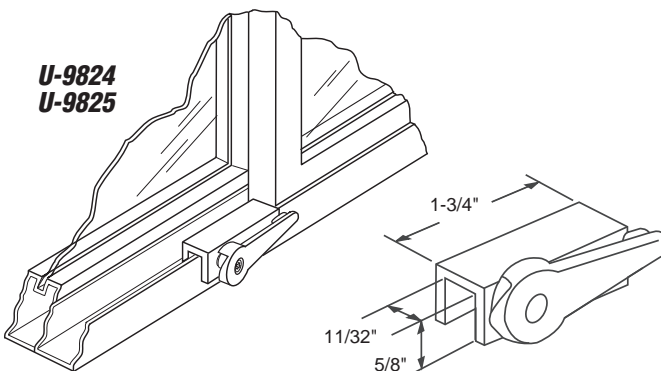
U-9825 (White finish)

Cam Action Lock

Contents: 1 lock.

Description: Extruded aluminum housing with cam action; securely locks window in closed or ventilating position; **no tools needed** to install; excellent added security when staying in a hotel or motel.

Standard Pack: 6/box



U-9828 (Aluminum finish)

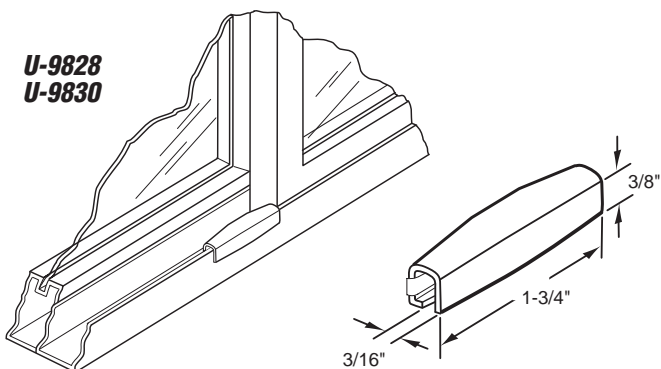
U-9830 (White finish)

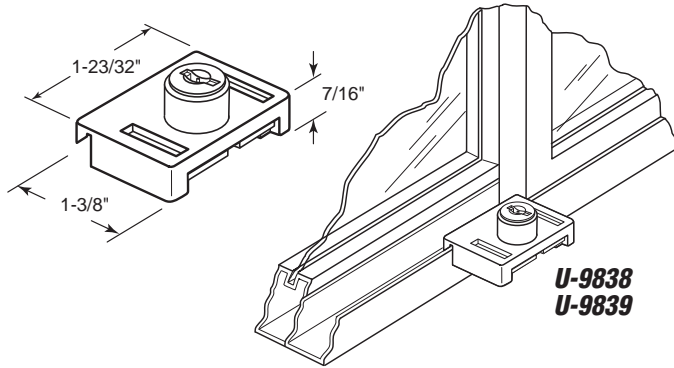
Snap-on Vent Lock

Contents: 2 locks.

Description: Plated and painted steel lock housing; unique "snap-on" device; **no tools required**; excellent for ventilated locking.

Standard Pack: 6/box





U-9838
U-9839

U-9838 (Aluminum finish)

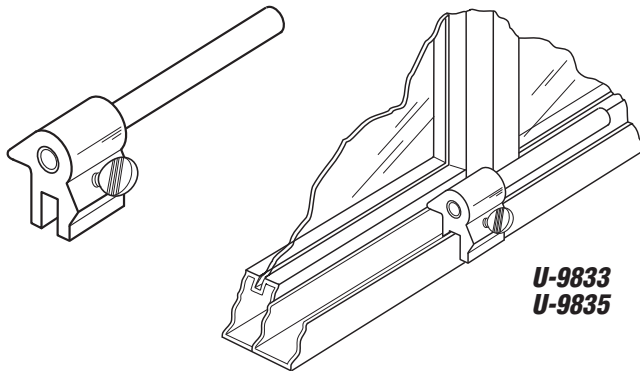
U-9839 (White finish)

Keyed Lock

Contents: 1 lock & 2 keys.

Description: Painted diecast housing; securely locks window in closed or ventilating position; easy to install; uses B1 keyway, ILCO (1098M).

Standard Pack: 6/box



U-9833
U-9835

U-9833 (Aluminum finish)

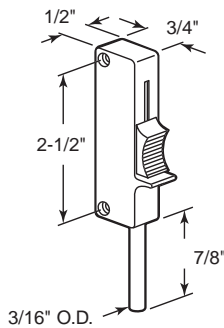
U-9835 (White finish)

Thumbscrew Bar Lock

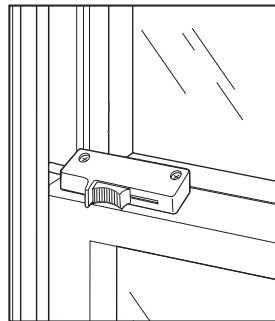
Contents: 1 lock.

Description: Extruded aluminum; reversible with anti-lift out bar; securely locks window in closed or ventilating position; easy to install.

Standard Pack: 6/box



U-9831



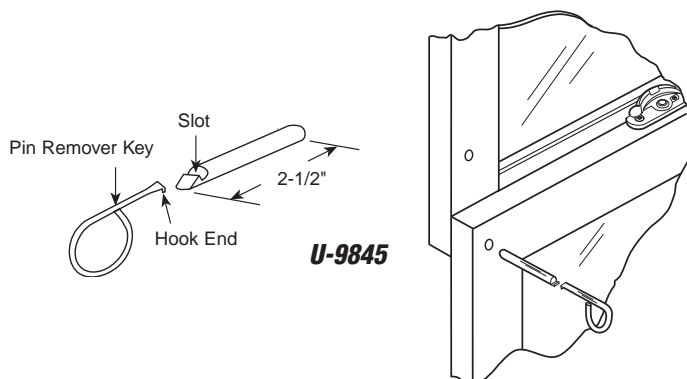
U-9831 (White)

Vinyl Window Lock

Contents: 1 lock; 2 installation screws.

Description: Steel bolt has 3/4" throw; narrow body designed to mount on most dual glazed windows; works on horizontal or vertical sliders.

Standard Pack: 6/box



U-9845

U-9845 (Brass finish)

Wood Sash Pins

Contents: 8 pins & 4 keys.

Description: Steel pins lock window in closed or ventilating position; pin removal key is needed to unlock; recommended for wood sash; easy to install; resists tampering if glass is broken.

Standard Pack: 6/box

▲ Call For Availability

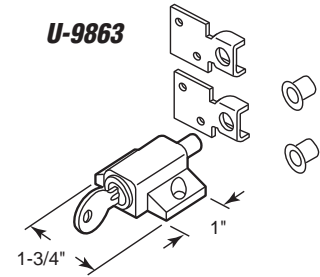
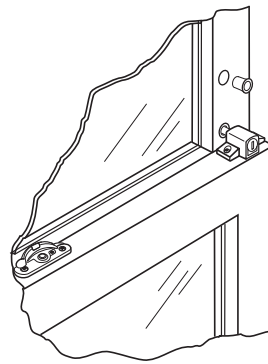
U-9863 (Brass finish)

Keyed Sash Lock

Contents: 1 lock with 2 strikes; 2 ferrules; 2 keys & installation screws.

Description: Hardened steel bolt provides push button locking in closed or ventilating position; unlocks only with key; **heavy-duty diecast construction**; recommended for wood sash; easy to install; uses Yale Y-11 keyway.

Standard Pack: 6/box



U-9924 (Brass finish)

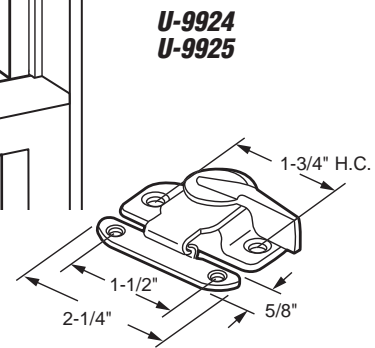
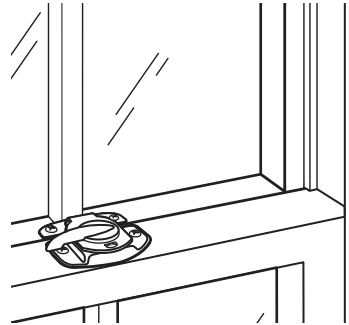
U-9925 (White finish)

Sash Window Lock

Contents: 1 lock; 1 keeper & installation screws.

Description: Cam action sash lock; universal design; **stamped steel construction**.

Standard Pack: 6/box



U-9927 (Brass finish)

U-9928 (White finish)

U-11063 (Satin nickel finish)▲

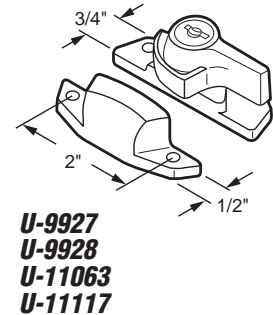
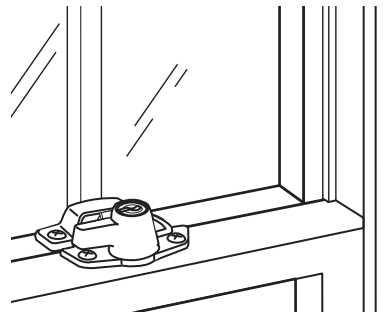
U-11117 (Classic bronze finish)▲

Keyed Sash Lock

Contents: 1 latch assembly; 1 keeper; 2 key & installation screws.

Description: For aluminum, vinyl or wood double hung windows; unlocks only with key; **heavy zinc diecast construction**; uses B1 keyway, ILCO (1098M).

Standard Pack: 6/box



U-10668 (Brass finish)

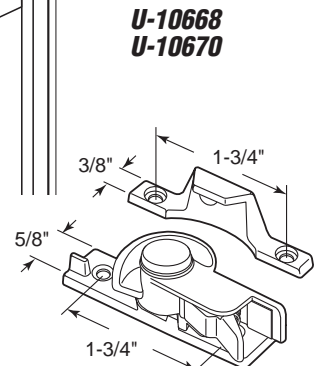
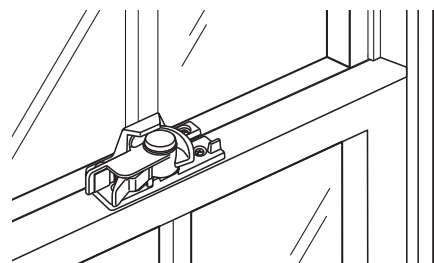
U-10670 (White finish)

Cam Lock

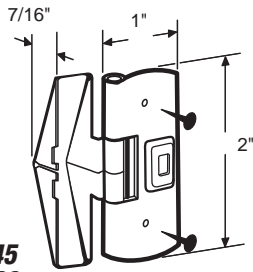
Contents: 1 lock; 1 keeper; installation screws..

Description: Diecast sash lock and keeper; used on double hung wood windows; lever release feature.

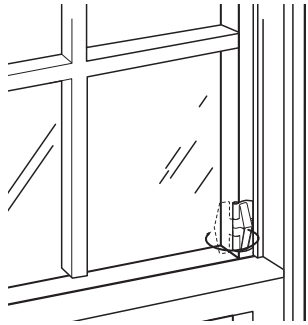
Standard Pack: 6/box



▲ Call For Availability



S-4245
U-9929
U-9938
U-10683



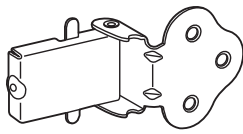
- U-9938** (Brass finish)
- U-9929** (Antique brass finish)
- S-4245** (Chrome finish)
- U-10683** (Stainless steel)

Wood Window Flip Lock

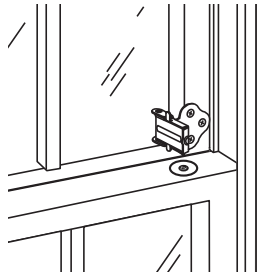
Contents: 2 locks & installation screws.

Description: Flip lock mounts on vertical track; stops window in vent position; 7/16" projection; wedge flips out of the way to allow opening; **plated steel**.

Standard Pack: 6/box



U-9926



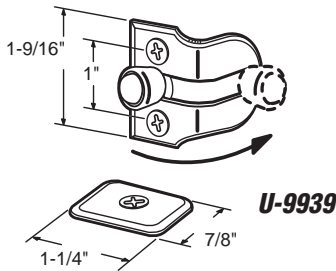
- U-9926** (Brass finish)

Wood Window Flip Lock

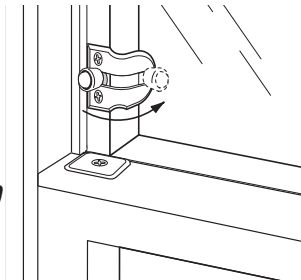
Contents: 1 lock & installation screws.

Description: Flip lock mounts on vertical track; stops window in vent position; 5/8" projection; wedge flips out of the way to allow opening; **plated steel**.

Standard Pack: 6/box



U-9939



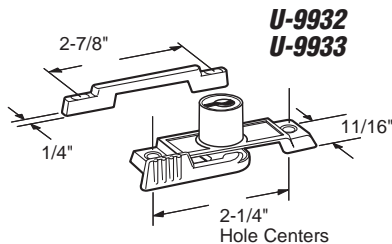
- U-9939** (Brass finish)

Wood Window Vent Lock

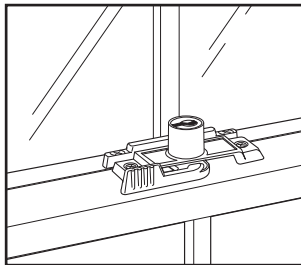
Contents: 2 lock assemblies; 2 strikeplates & installation screws.

Description: Brass plated steel sash locks mount onto the edge of the upper window; 3/8" projection; sliding stud stops opening at a desired location; allows ventilation but prevents entry; easy to install.

Standard Pack: 6/box



U-9932
U-9933



- U-9932** (Brass finish)
- U-9933** (White finish)

Slim-line Keyed Sash Lock

Contents: 1 lock and keeper; 2 keys and installation screws.

Description: Plated or painted diecast sash lock and keeper; readily adapts to narrow styles; key locks for additional security; uses Chicago keyway, ILCO (1041T).

Standard Pack: 6/box

▲ Call For Availability

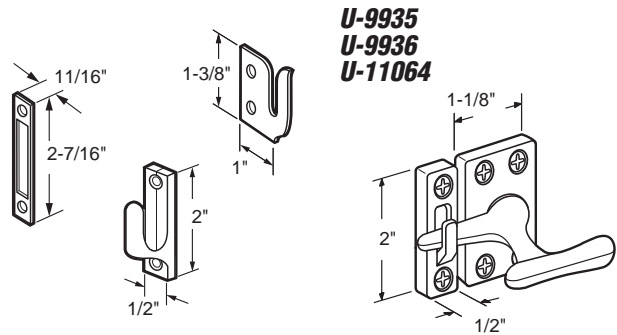
U-9935 (Brass finish)
U-9936 (White finish)
U-11064 (Satin nickel finish)▲

Casement Window Sash Lock

Contents: 1 latch; 3 keeper assortment & installation screws.

Description: Diecast locking handle has 3 different keepers for special mounting applications; used on old style wood casement windows.

Standard Pack: 6/box



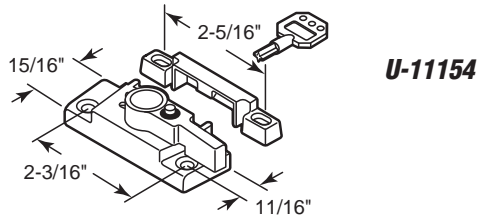
U-11154 (White finish)

Keyed Sash Lock

Contents: 1 lock; 1 keeper; 2 keys; installation screws.

Description: White button lock; diecast sash lock and keeper; this latch can only be opened with a key; latch body has alignment lugs; latch body has an 11/16\"

Standard Pack: 6/box



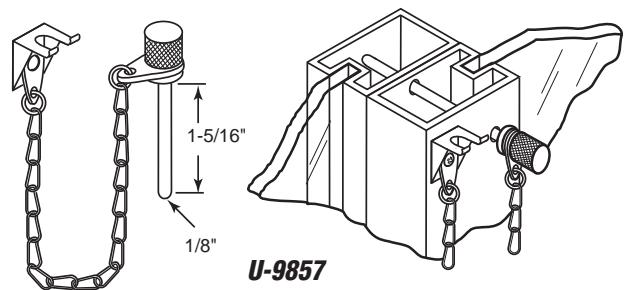
U-9857 (Chrome finish)

Window Pin Lock

Contents: 1 pin with chain; holder & installation screws.

Description: Plated steel pin stores in holder when unlocked; securely locks window in closed or ventilating position; prevents sliding and lifting of window.

Standard Pack: 6/box



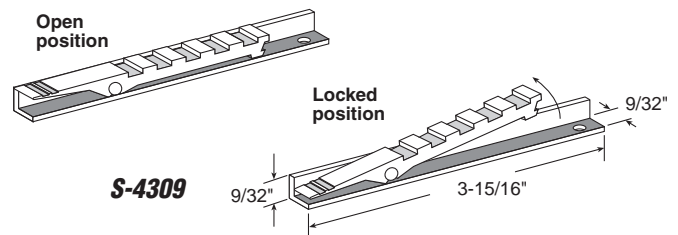
S-4309

Pop-Up Lock

Contents: 1 lock; 1 set of installation screws.

Description: Extruded aluminum lock and housing mounts into top or bottom channel to provide security; used on aluminum sliding windows.

Standard Pack: 6/box



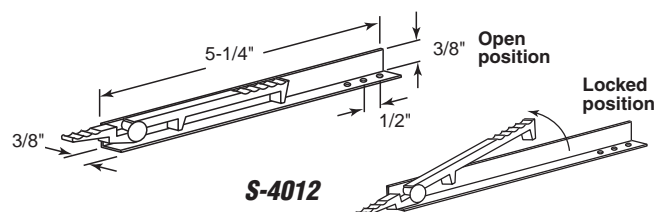
S-4012

Pop-Up Lock

Contents: 1 lock; 1 set of installation screws.

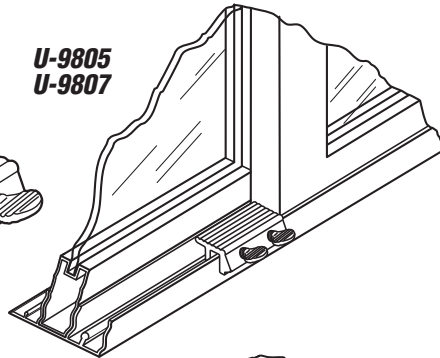
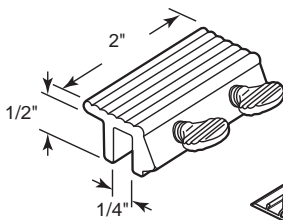
Description: Stamped aluminum lock and housing mounts into top or bottom track channel; requires only 3/8\"

Standard Pack: 6/box

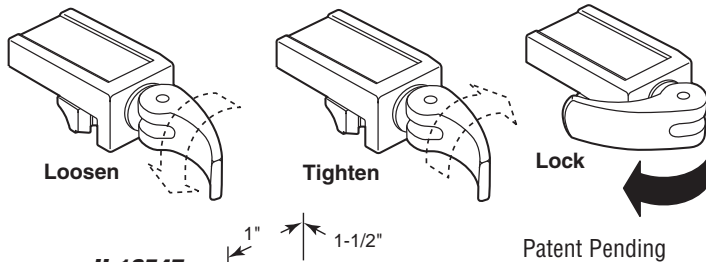
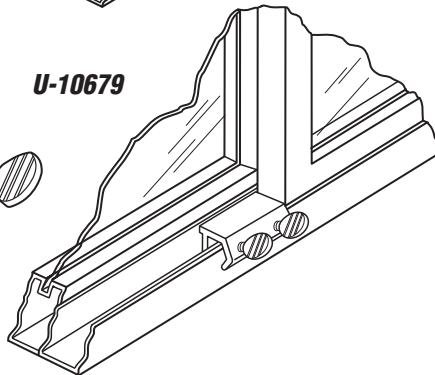
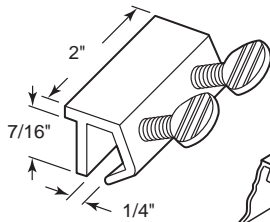


▲ Call For Availability

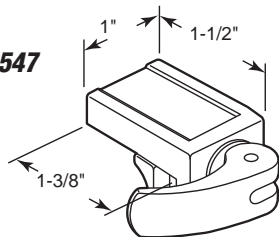
U-9805
U-9807



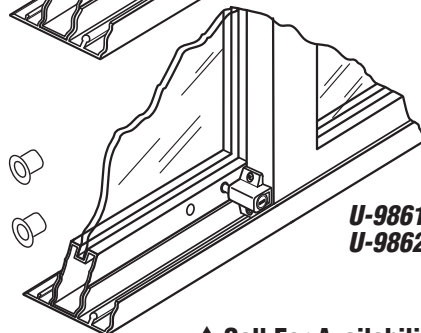
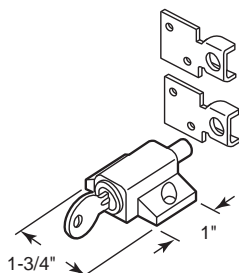
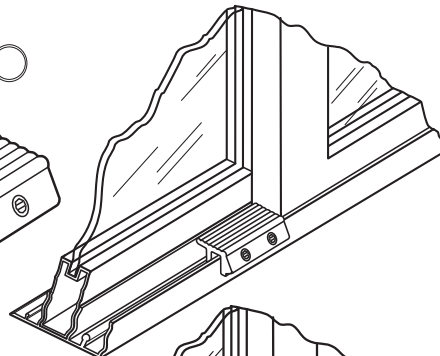
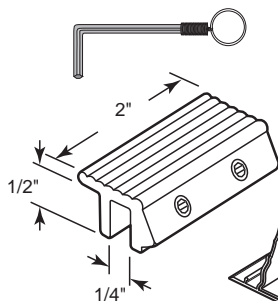
U-10679



U-10547



U-9815
U-9817



▲ Call For Availability

U-9805 (Aluminum finish)

U-9807 (White finish)

Double Thumbscrew Lock

Contents: 1 lock.

Description: Heavy-duty extruded aluminum with double thumbscrew; additional gripping power securely locks window in closed or ventilating position; easy to install.

Standard Pack: 6/box

U-10679 (Aluminum finish)

Economy Lock

Contents: 1 lock.

Description: Extruded aluminum housing; double thumbscrew; additional gripping power securely locks window in closed or ventilating position; easy to install.

Standard Pack: 6/box

U-10547 (White finish)

Vinyl Patio Door Lock

Contents: 1 lock.

Description: Fits up to a 7/8" thick rail; "Vise like" grip holds securely; will not damage vinyl rails; ergonomic locking lever; locks in 3 positions; cast zinc construction; fits doors with 1-3/8" wide or greater frame thickness.

Standard Pack: 6/box

U-9815 (Aluminum finish)

U-9817 (White finish)

Tamper-resistant Lock

Contents: 1 lock & 1 wrench.

Description: Heavy-duty extruded zinc with tamper-resistant double hex security screw and wrench; additional gripping power securely locks window or door in closed or ventilating position; helps prevent accidental opening by children; easy to install.

Standard Pack: 6/box

U-9861 (Aluminum finish)

U-9862 (White finish)

Push-in Keyed Lock

Contents: 1 lock with 2 strikes, 2 ferrules; 2 keys & installation screws.

Description: Painted diecast steel bolt for push button locking; unlocks only with key; prevents prying or lifting of door; heavy-duty construction; uses Yale Y-11 keyway.

Standard Pack: 6/box

Patio Door Security

U-9866 (Aluminum finish)

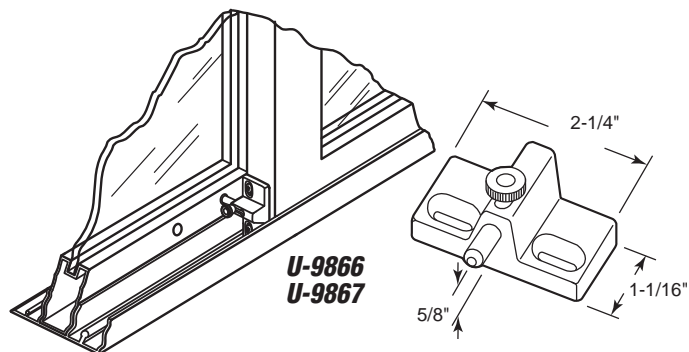
U-9867 (White finish)

Slide Bolt Lock

Contents: 1 lock & 2 installation screws.

Description: Diecast painted housing with steel bolt securely locks door in closed or ventilating position; prevents sliding or lifting of door.

Standard Pack: 6/box



U-9853 (Aluminum finish)

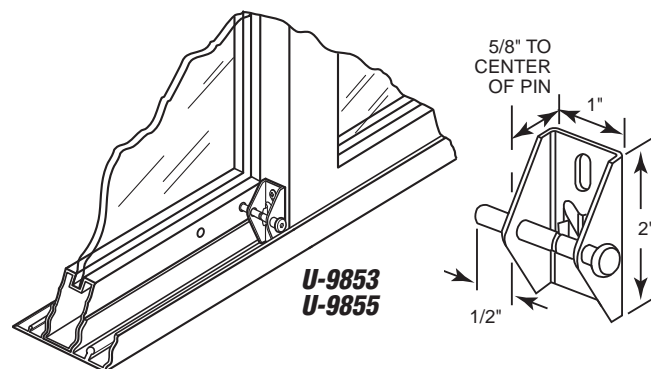
U-9855 (White finish)

Push/Pull Lock

Contents: 1 lock & 2 installation screws.

Description: Painted heavy gauge steel housing with hardened steel pin; securely locks door in closed or ventilating position; two position push/pull action prevents accidental lockout; also prevents sliding or lifting of door.

Standard Pack: 6/box



U-9848 (Zinc finish)

U-9849 (Black finish)

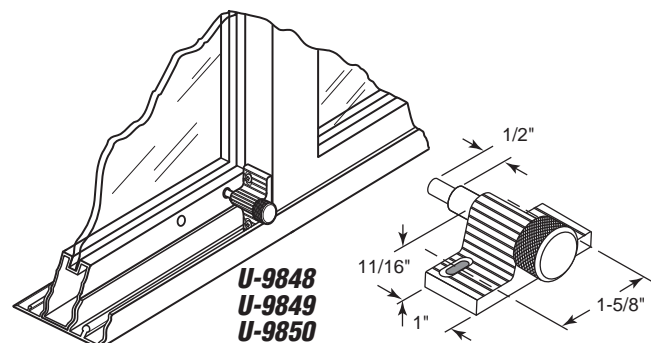
U-9850 (White finish)

Twist-in Lock

Contents: 1 lock & 2 installation screws.

Description: Zinc plated and painted Zamac cast housing with twist-in action; aluminum bolt securely locks door in closed or ventilating position; prevents sliding and lifting of door.

Standard Pack: 6/box



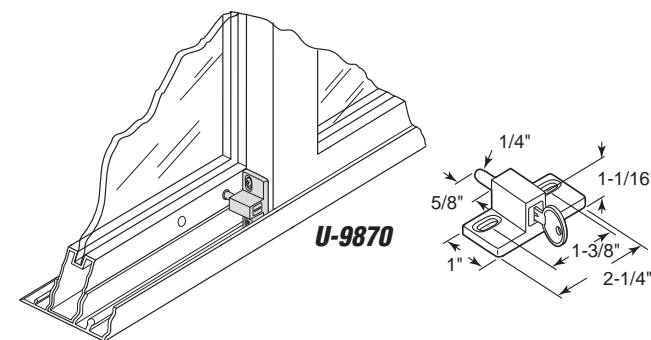
U-9870 (Aluminum finish)

Push-in Keyed Lock

Contents: 1 lock & 2 installation screws.

Description: Painted diecast housing with steel bolt for push button locking; unlocks only with key; prevents prying or lifting of door; all product is keyed alike.

Standard Pack: 6/box



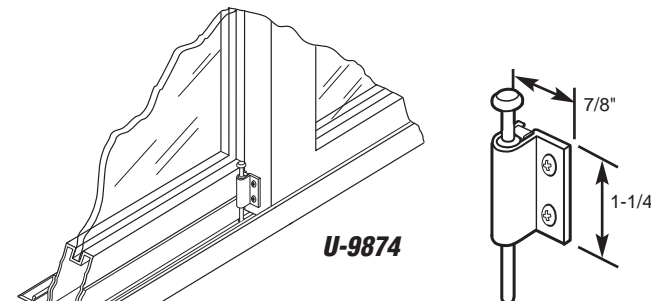
U-9874 (White finish)

Push/Pull Lock

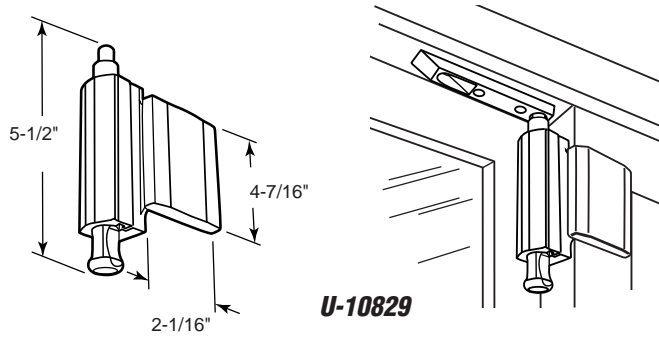
Contents: 1 lock & 2 installation screws per card.

Description: Painted diecast housing with steel bolt; reversible handing; securely locks door in closed or ventilating position.

Standard Pack: 6/box



▲ Call For Availability



U-10829

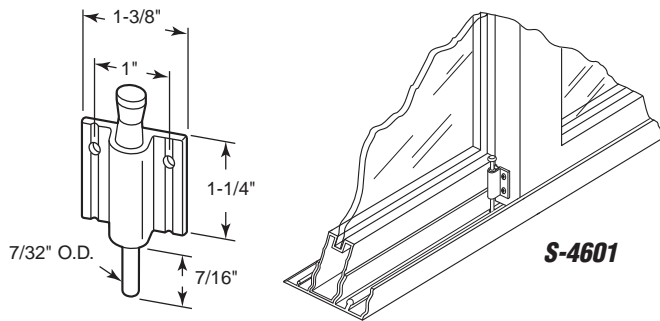
U-10829 (White finish)

Door Reinforcement Lock

Contents: 1 lock; 1 keeper; 2 shims & installation screws.

Description: For use on interior sliding doors only; side mounts for easy installation; ventilation setting available on keeper; it is designed to withstand 2000 lbs of force; reversible for left or right handed doors; can be set on "Auto Lock".

Standard Pack: 6/box



S-4601

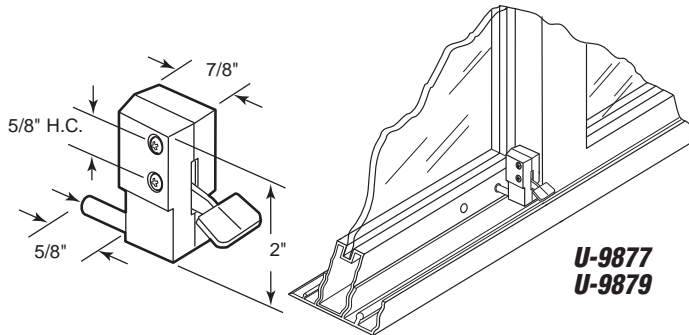
S-4601 (White finish)

Push/Pull Lock

Contents: 1 lock & 2 installation screws.

Description: Painted diecast housing with steel bolt; securely locks door in closed or ventilating position.

Standard Pack: 6/box



**U-9877
U-9879**

U-9877 (Aluminum finish)

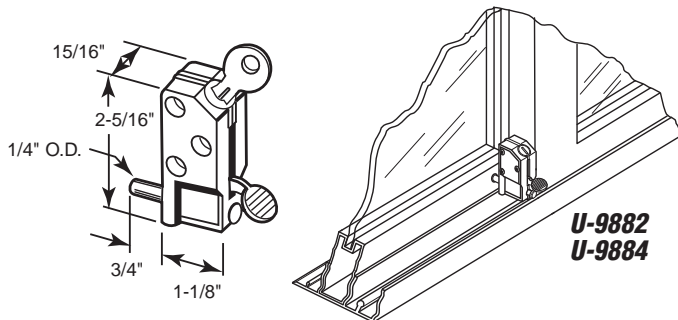
U-9879 (White finish)

Step-on Lock

Contents: 1 lock & installation screws.

Description: Painted diecast housing with hardened steel bolt; securely locks door in closed or ventilating position; convenient foot operation; easy to install.

Standard Pack: 6/box



**U-9882
U-9884**

U-9882 (Aluminum finish)

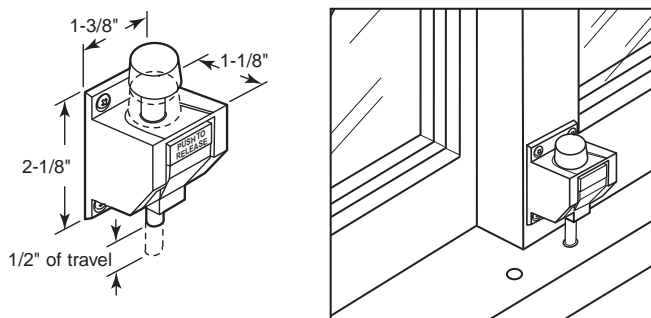
U-9884 (White finish)

Step-on Keyed Lock

Contents: 1 lock with 2 keys & installation screws.

Description: Painted diecast housing with hardened steel bolt; securely locks door in closed or ventilating position; convenient foot operation of bolt; locks and unlocks with key; uses B1 keyway, ILCO (1098M).

Standard Pack: 6/box



U-9869

▲ Call For Availability

U-9869 (White)

Patio Door Lock

Contents: 1 lock; 2 installation screws.

Description: Steel bolt; plastic body designed for inside sliding patio doors; foot operated.

Standard Pack: 6/box



U-9865 (White)

Vinyl Patio Door Lock

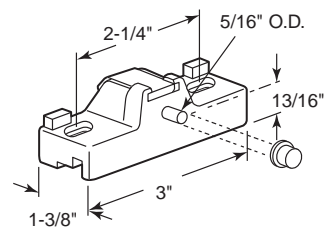
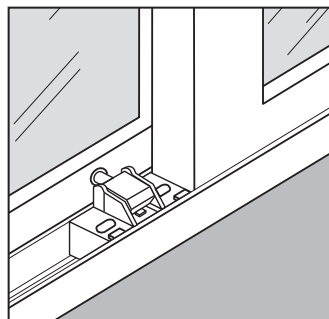
Contents: 1 lock; 2 installation screws.

Description: Steel bolt; plastic body; designed for 1-1/2" thick vinyl sliding doors where the moving panel slides outside.

Foot
Operated

Standard Pack: 6/box

Fits
Outside Sliders



U-9865

U-9868 (White)

Vinyl Patio Door Lock

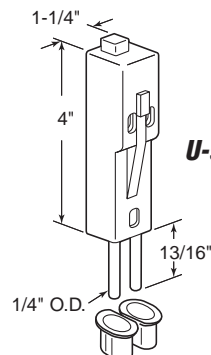
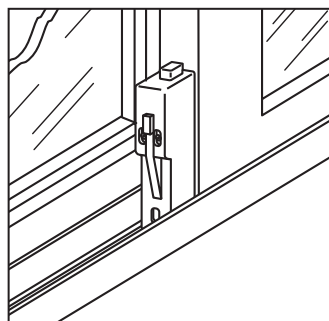
Contents: 1 lock; 2 installation screws.

Description: Steel bolt straddles track; plastic body; designed for 1-1/2" thick vinyl sliding doors where the moving panel slides inside.

Foot
Operated

Standard Pack: 6/box

Fits
Inside Sliders



U-9868

U-9858 (Chrome finish)

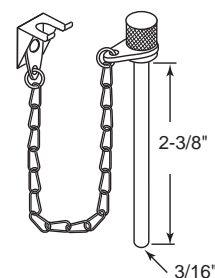
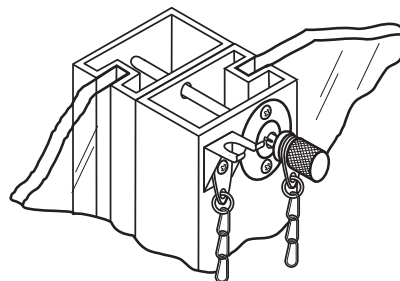
Door Pin with Retaining Ring

Contents: 1 pin with chain; retaining cap; holder & installation screws.

Description: Plated steel pin locks in retaining ring when engaged, stores in holder when unlocked; securely locks door in closed or ventilating position; prevents sliding and lifting of door.

Standard Pack: 6/box

U-9858



U-11070 (Chrome finish)

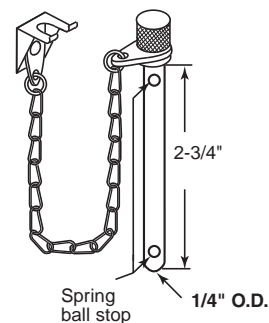
Window Pin Lock (Heavy-duty)

Contents: 1 pin with chain; 1 holder; installation screws.

Description: Plated, steel pin stores in holder when unlocked; securely locks window in closed or ventilating position; prevents prying or lifting of door; spring loaded steel ball prevents pin from being jarred loose from the door.

Standard Pack: 6/box

U-11070



Spring ball stop
1/4" O.D.

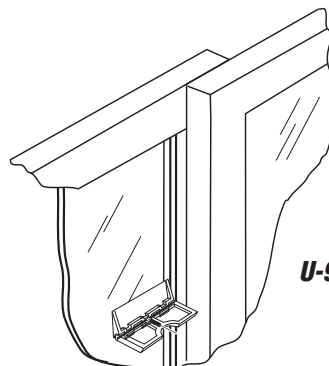
U-9842 (Clear finish)

Glass Surface Lock

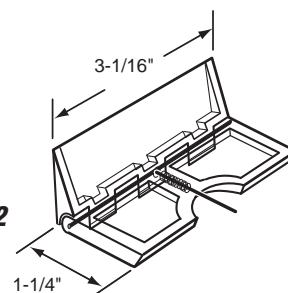
Contents: 2 locks.

Description: Clear lucite; two-piece hinged assembly with spring loaded plunger lock; clear adhesive backing; securely blocks door in closed or ventilating position; no tools needed to install; inconspicuous when installed.

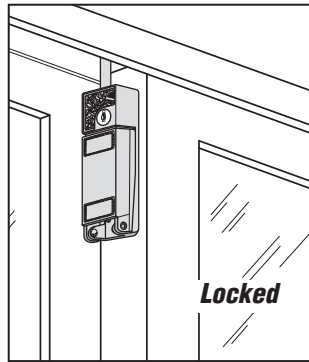
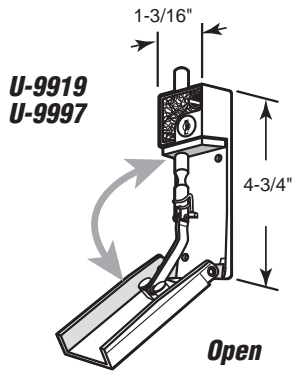
Standard Pack: 6/box



U-9842



▲ Call For Availability



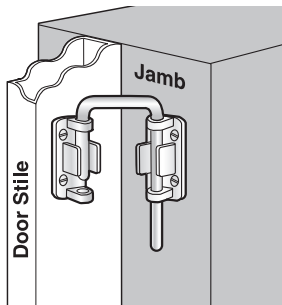
U-9919 (White finish)
U-9997 (Aluminum finish)

Keyed Bolt Lock

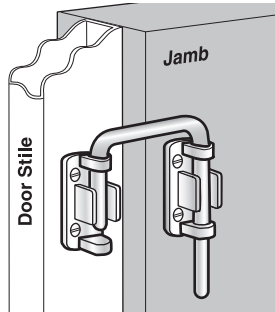
Contents: 1 locking assembly and installation screws.

Description: Painted diecast assembly; 5/16" diameter steel bolt has 1-1/2" of throw travel; throw bolt may be manually locked or key locked; prevents forced entry; may be locked in ventilating position; uses B1 keyway, ILCO (1098M).

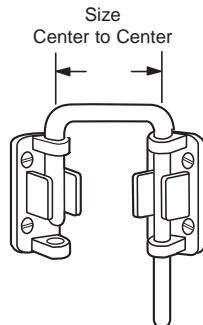
Standard Pack: 6/box



U-9846



U-9847



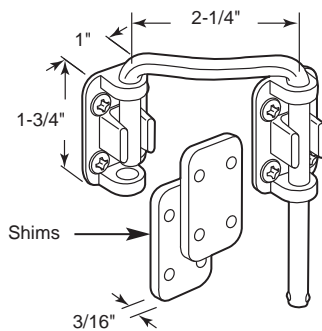
- U-11038** (Chrome plated finish - 13/16")
- U-9846** (Chrome plated finish - 1-1/8")
- U-11039** (Chrome plated finish- 1-3/4")
- U-9847** (Chrome plated finish - 2-1/8")
- U-10884** (Stainless steel - 13/16")
- U-10885** (Stainless steel - 1-1/8")
- U-10886** (Stainless steel - 1-7/16")
- U-10887** (Stainless steel - 2-1/8")

Loop Lock

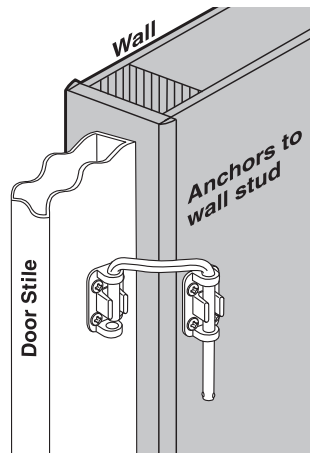
Contents: Loop lock rod with bracket attached; keeper bracket and installation screws.

Description: Hardened steel locking rod with diecast bracket and keeper; secures door to jamb; two sizes allow flexibility of installation.

Standard Pack: 6/box



Right Hand Shown



- U-10536** (Nickel finish - Right hand)
- U-10537** (Nickel finish - Left hand)



High Security Loop Lock

Contents: Loop lock rod with bracket attached; keeper bracket and installation screws.

Description: Chrome plated hardened steel locking rod with diecast bracket and keeper; secures door to jamb; through bolt design.

Standard Pack: 6/box

▲ Call For Availability

Patio Door Security

U-9920 (Aluminum finish)

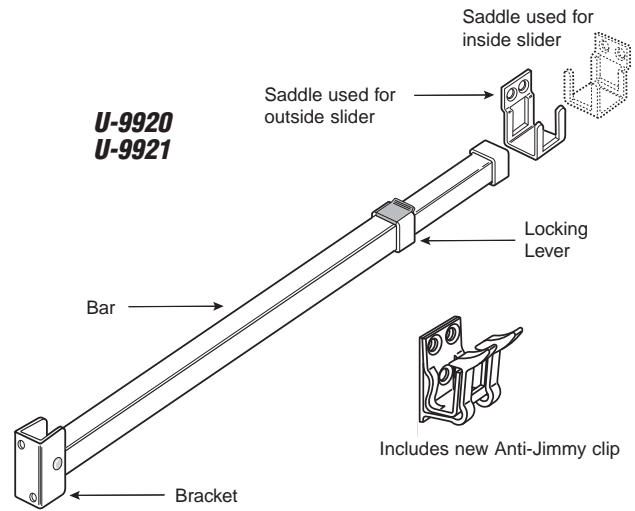
U-9921 (White finish)

Security Bar Lock

Contents: 1 bar; locking saddle & installation screws.

Description: Clear anodized and painted telescopic aluminum bar accommodates 28" to 48" wide inside and outside sliding patio doors; no cutting required; easy to install.

Standard Pack: 6/box



Security Bar Lock (Poly bag and header)

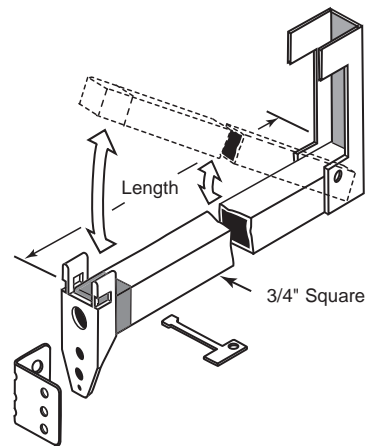
Finish (Part Number)

<i>Bar Length</i>	<i>Clear Anodized</i>	<i>Bronze</i>	<i>White</i>
3 foot	S-4337	S-4338	S-4339
4 foot	S-4013	S-4154	S-4220
5 foot	S-4221	S-4222	S-4223
6 foot	S-4224	S-4225	S-4226

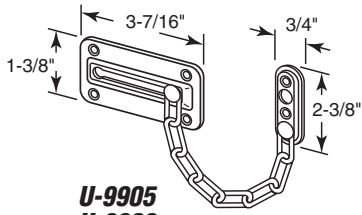
Contents: 1 bar assembly; 1 locking saddle; 1 key; installation screws.

Description: Clear anodized and painted extruded aluminum bar with stamped steel hinged retainer for open position; plastic retainer with key for locked position.

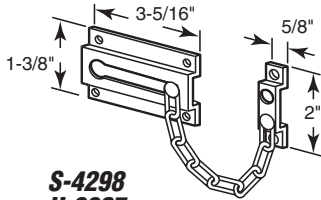
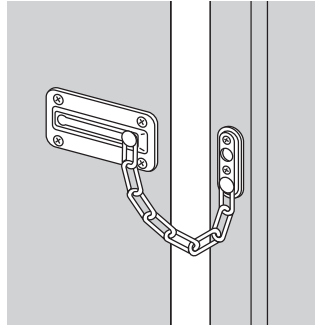
Standard Pack: 10/bag



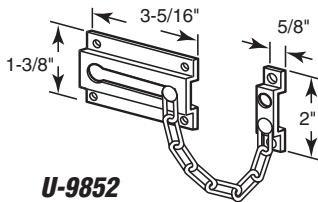
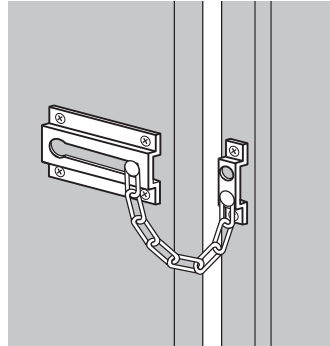
▲ Call For Availability



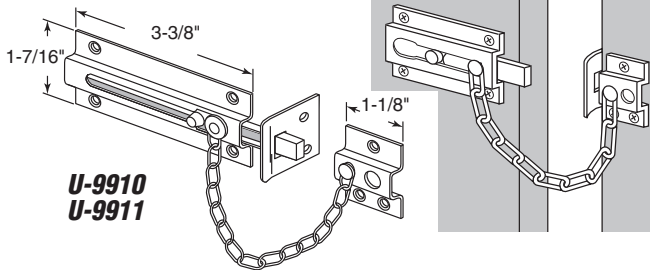
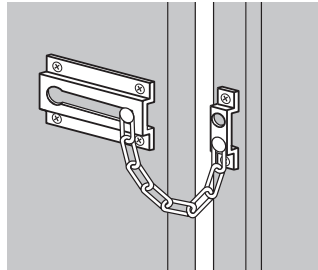
U-9905
U-9908
U-10386
U-10533



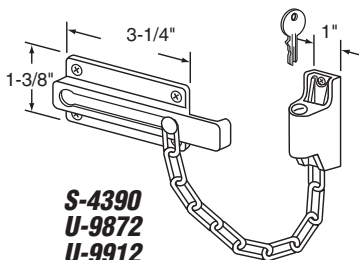
S-4298
U-9907
U-9909
U-9913
U-10304
U-10305



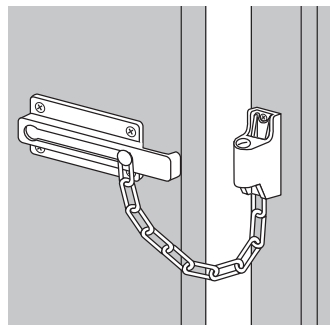
U-9852



U-9910
U-9911



S-4390
U-9872
U-9912
U-9914



- U-9905** (Brass finish)
- U-10533** (Antique brass finish)
- U-9908** (Chrome finish)
- U-10386** (Satin nickel finish)

Chain Door Guard

Contents: 1 chain lock with keeper & installation screws.

Description: Plated steel keepers and steel chain secures door while allowing viewing and ventilation; easy to install.

Standard Pack: 6/box

- U-9907** (Brass)
- U-9913** (Antique brass)
- S-4298** (Chrome)
- U-9909** (Satin chrome)
- U-10304** (Satin nickel)
- U-10305** (Classic bronze)

Chain Door Guard

Contents: 1 chain lock with keeper & installation screws.

Description: Solid brass keepers with steel chain secures door while allowing viewing and ventilation; easy to install.

Standard Pack: 6/box

- U-9852** (White finish)

Chain Door Guard

Contents: 1 chain lock with keeper & installation screws.

Description: Steel keepers and chain secures door while allowing viewing and ventilation; easy to install.

Standard Pack: 6/box

- U-9910** (Brass finish - steel)
- U-9911** (Brass finish - solid brass)

Chain Door Guard (with bolt)

Contents: 1 chain lock with bolt & installation screws.

Description: Use of chain secures door while allowing viewing and ventilation; sliding bolt secures closed door and allows unlocking from inside only.

Standard Pack: 6/box

- U-9912** (Brass finish)
- U-9914** (Antique brass finish)
- S-4390** (Chrome finish)
- U-9872** (White finish)

Chain Door Guard (Keyed)

Contents: 1 chain lock and installation screws.

Description: Plated steel chain and diecast keepers secures door while allowing viewing and ventilation; can be unlocked with key from outside or inside; bolt slides into keyed mechanism to lock; uses B1 keyway, ILCO (1098M).

Standard Pack: 6/box

▲ Call For Availability

Entry Door Security

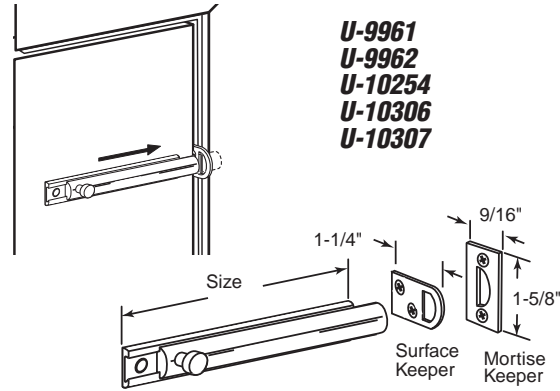
- U-9961** (Brass - 4")
- U-10307** (Classic bronze finish - 4")
- U-10306** (Satin nickel - 4")
- U-9962** (Brass - 3")
- U-10254** (Brass - 2")

Surface Bolt

Contents: 1 slide bolt; 2 keepers and installation screws.

Description: Solid brass slide bolt surface mounts to face of door; two keepers allow for surface or mortise frame installation.

Standard Pack: 6/box



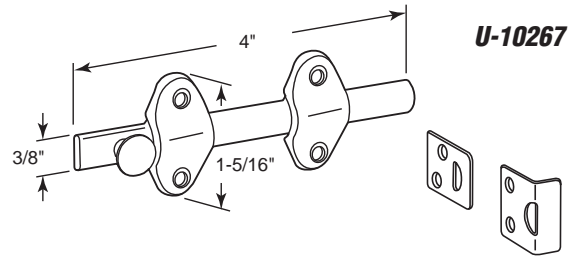
- U-10267** (White finish)

Surface Bolt

Contents: 1 slide bolt; 2 keepers and installation screws.

Description: Slide bolt surface mounts to face of door; two keepers allow for surface or mortise frame installation; guide brackets adjust fit unique installation conditions.

Standard Pack: 6/box



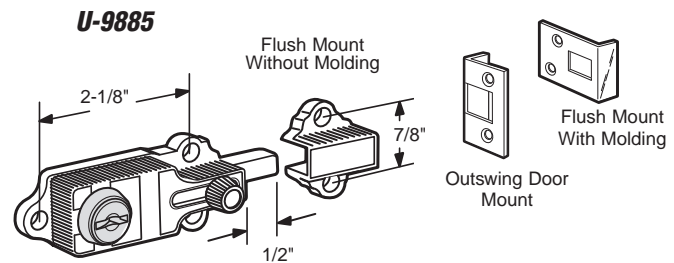
- U-9885** (Brass finish - Spring loaded)

Keyed Deadbolt Lock

Contents: 1 lock; 3 keepers and installation screws.

Description: Plated diecast lock is key locked from inside; 3 keepers offer flexible mounting for both inswing and outswing doors.

Standard Pack: 6/box



- U-10819** (Chrome finish)
- U-9493** (White finish)
- U-9494** (Gold finish)

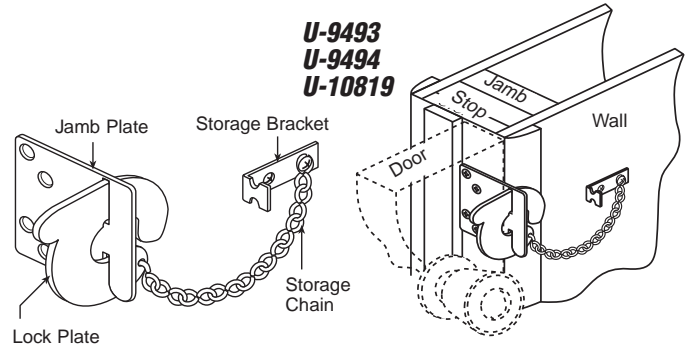


Lock Plate

Contents: 1 jamb plate; 1 lock plate and chain; 1 storage plate; (2) #8x1" sheet metal screws; (4) #10x3-1/2" flathead wood screws.

Description: Maximum security locking device for inswing doors; 11 gauge powder coated steel; can be used on wood or metal jambs.

Standard Pack: 6/box



- U-10826** (Brass plated finish)
- U-10827** (Satin nickel finish)

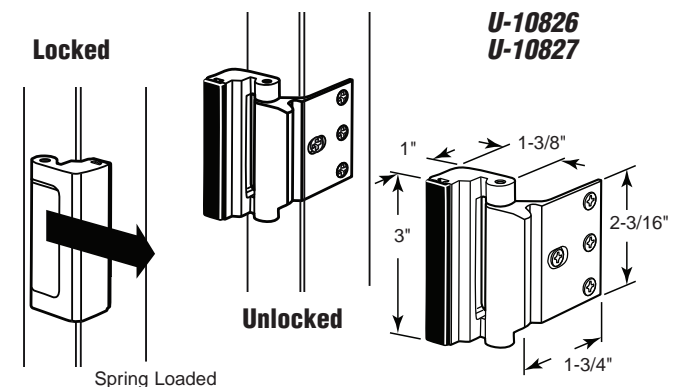


Door Reinforcement Lock

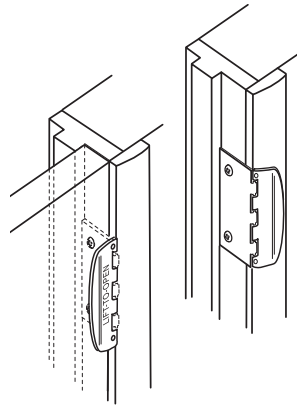
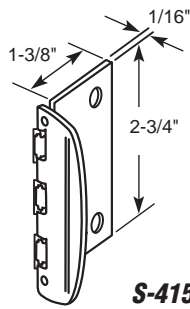
Contents: 1 lock & installation screws.

Description: Protects against unauthorized entry; meets Texas building code requirements; prevents lock bumping or lock picking in the locked position; it is designed to withstand 8000 lbs of force; cannot be opened from the outside; installs in minutes; fits any door; tamper resistant; Child Safe design.

Standard Pack: 4/box



▲ Call For Availability



S-4151
U-9873
U-9887
U-9888
U-10319
U-10321

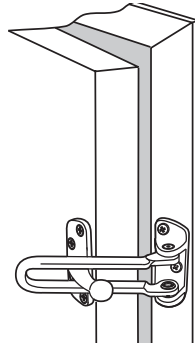
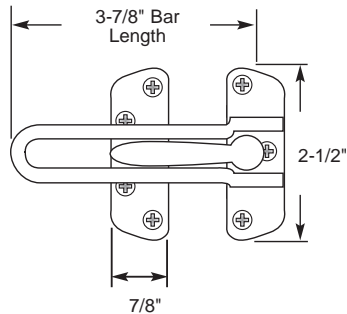
- U-9887** (Brass finish)
- U-9873** (Antique brass finish)
- S-4151** (Chrome finish)
- U-9888** (White finish)
- U-10319** (Satin nickel finish)
- U-10321** (Classic bronze finish)

Flip Door Lock

Contents: 1 lock & installation screws.

Description: Plated or painted **steel privacy lock**; flip action to lock or unlock; no mortising required; easy to install.

Standard Pack: 6/box



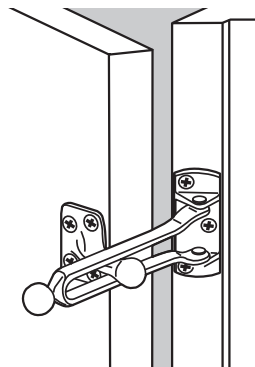
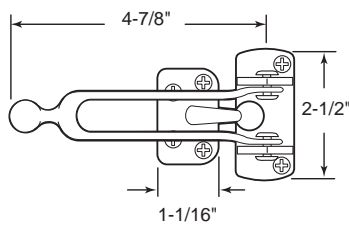
- U-9897** (Brass finish)
- U-9899** (Antique brass finish)
- U-9900** (Chrome finish)
- U-9901** (Brushed chrome finish)
- U-9902** (White finish)
- U-10308** (Satin nickel)
- U-10309** (Classic bronze finish)

Swing Bar Lock

Contents: 1 swing loop keeper; 1 bar lock & installation screws.

Description: Plated or painted **heavy metal casting** secures door while allowing 2" of viewing or ventilation; easy to install.

Standard Pack: 6/box



S-4184
S-4353
S-4430
S-4818
U-10361
U-10830

- U-10830** (Brass finish)
- S-4430** (Satin brass finish)
- S-4184** (Bronze finish)
- S-4353** (Brushed chrome finish)
- S-4818** (Chrome finish)
- U-10361** (Satin nickel finish)

Swing Bar Lock with Edge Guard

Contents: 1 swing loop keeper; 1 bar lock; 1 edge guard; 1 set of installation screws.

Description: **Cast brass** bar lock and swing loop keeper; **polished** or **plated**; ball on bar lock interlocks to keeper which allows door to be opened slightly for viewing; edge guard aids in reducing marring of door and frame.

Standard Pack: 6/box

▲ Call For Availability

Entry Door Security

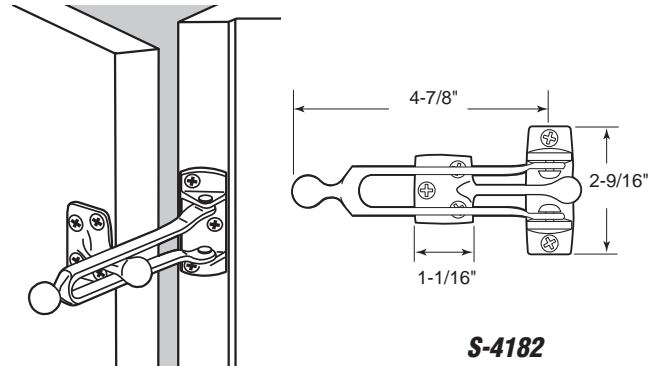
S-4182 (Polished brass finish)

Swing Bar Lock

Contents: 1 swing loop keeper; 1 bar lock; 1 set of installation screws.

Description: Cast brass bar lock and swing loop keeper; ball on bar lock interlocks to keeper allowing door to be opened slightly for viewing; ball on swing loop keeper serves as a convenient handle.

Standard Pack: 6/box



S-4213 (Polished brass)

S-4214 (Antique brass)

S-4215 (Brushed stainless)

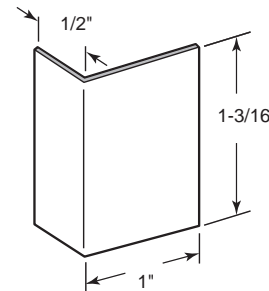
Door Edge Guard

Contents: 5 edge guards.

Description: Edge guard is adhesive backed for self-sticking application; eliminates marring of wood when lock is swung back and forth.

Standard Pack: 6/box

**S-4213
S-4214
S-4215**



U-9915 (Gold finish)

U-9916 (Bronze finish)

U-9917 (White finish)

U-9918 (Dark gray finish)▲

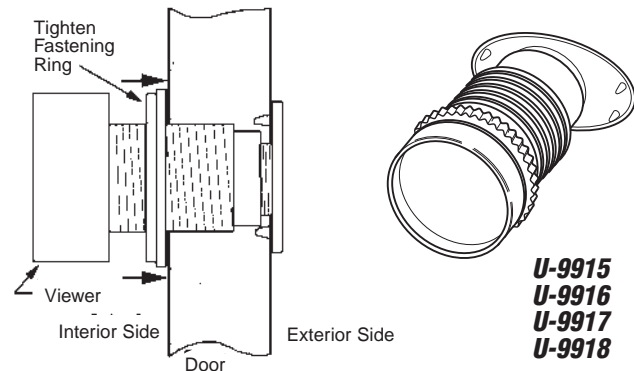


Door Viewer (160°)

Contents: 1 viewer.

Description: High-impact plastic housing requires 1-3/4" hole; "clear image" prism construction allows arms length viewing with nearly 2" of giant screen viewing; fits 1-3/8" to 2" thick wood or metal doors; prism image is a reversed and mirrored image.

Standard Pack: 4/box



U-9895 (Brass finish)

U-9983 (Brass - U.L. Listed)

U-9880 (Satin chrome finish - U.L. Listed)

U-10347 (Satin nickel - U.L. Listed)

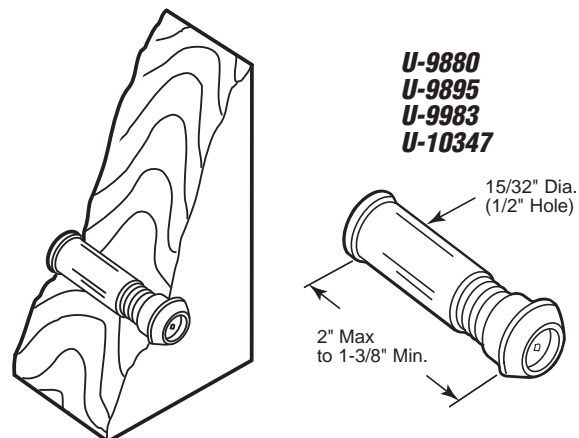


Door Viewer (160°)

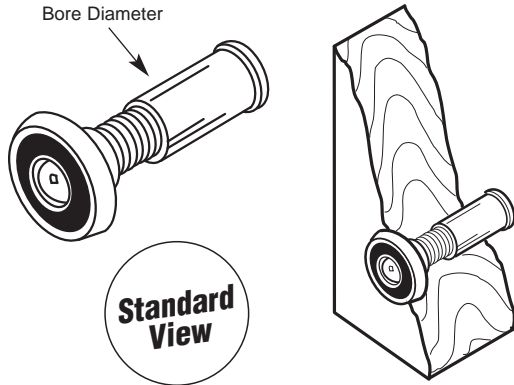
Contents: 1 viewer.

Description: Solid brass housing; glass and plastic lenses; fits 1-3/8" to 2" thick wood or metal doors; easy to install; glass lens viewers are U.L. Listed.

Standard Pack: 6/box



▲ Call For Availability



Part #	Finish	View	Bore Diameter
U-9893	Brass	180°	9/16"
U-10351	Brass	180° (For 3/4" thick panel)	9/16"
U-9892	Brass	180°	1/2"
S-4244	Brass	200°	9/16"
U-9891▲	Brass	200° U.L. Listed	9/16"
U-9875	Chrome	180°	1/2"
U-9876	Chrome	180°	9/16"
U-9881	Satin Chrome	200° U.L. Listed	9/16"
U-10392	Satin nickel	180° (For 3/4" thick panel)	9/16"
U-10348	Satin nickel	200° U.L. Listed	9/16"
U-10313	Classic bronze	180° U.L. Listed	9/16"

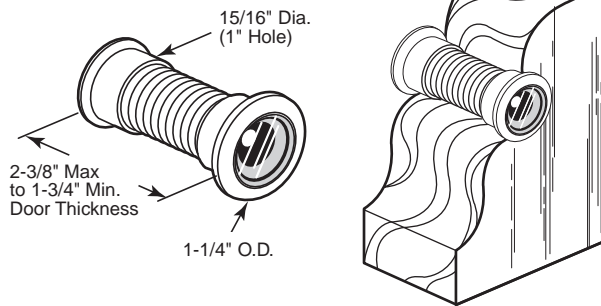
Door Viewer

Contents: 1 viewer.

Description: Solid brass housing; glass and plastic lenses; fits 1-3/8" to 2-1/8" thick wood or metal doors; easy to install; glass lens viewers are **U.L. Listed**.

Standard Pack: 6/box

U-9896
U-10314



U-9896 (Brass finish - 1")
U-10314 (Satin nickel - 1")

Big View

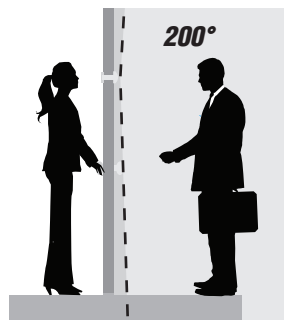
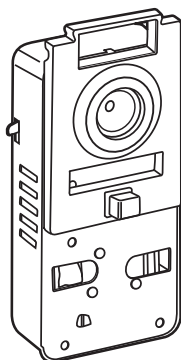
Door Viewer (130°)

Contents: 1 viewer.

Description: Solid brass end caps with diecast threaded housing; glass lens; fits 1-3/4" to 2-3/8" thick wood or metal doors; easy to install.

Standard Pack: 6/box

U-10814



U-10814 (White finish)

Door Chime and Viewer (200°)

Contents: 1 exterior plate; 1 interior bell unit.

Description: Exterior plate is brass plated; has name slot; door viewer has high quality optics; glass lens; interior unit has twin bell tones; all mechanical, no batteries needed; ivory finish.

Standard Pack: 6/box

▲ Call For Availability



U-11187

Digital Door Viewer

Contents: Digital door viewer; camera with washer; locking barrel; holding plate; tightening tool; locking screw and AAA batteries (2).

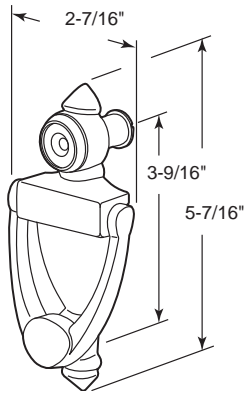
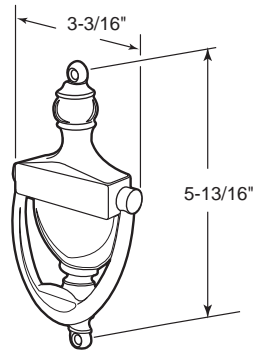
Description: 2-3/4" LCD color screen display; high quality color image clearly displays facial details; superior back lit contrast control delivers quality images; monitor button activates view; 130 degree viewing angle; fits a 9/16" diameter hole.

Features:

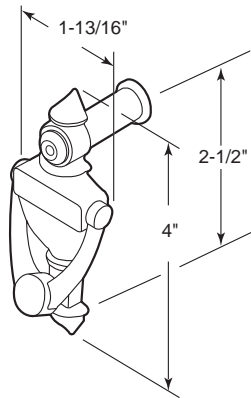
- Installs in existing 9/16" diameter hole
- Uses 2 AAA batteries, lasts for 500 views
- Ideal for day or night viewing



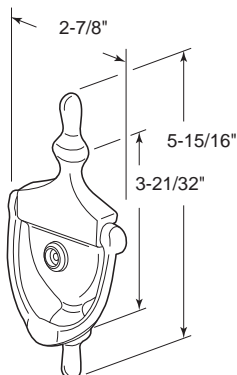
S-4089
S-4412
S-4545
U-10366



S-4234
S-4235
S-4578
U-10327



S-4090
S-4228
S-4411
S-4517



S-4550

S-4089 (Brass finish)
S-4412 (Chrome finish)
S-4545 (Satin chrome finish)
U-10366 (Satin nickel finish)

Door Knocker

Contents: 1 knocker.

Description: Plated diecast knocker; large traditional design.

Standard Pack: 6/box

S-4234 (Brass plated finish)
S-4235 (Antique brass finish)
S-4578 (Satin chrome finish)
U-10327 (Satin nickel finish)

Door Knocker & Viewer

Contents: 1 knocker; 1 viewer; 1 set of installation screws.

Description: Deluxe door knocker and 160° viewer; fits doors 1-3/8" to 1-3/4" thick; requires 9/16" installation hole.

Standard Pack: 6/box

S-4090 (Brass finish)
S-4228 (Antique brass finish)
S-4411 (Chrome finish)
S-4517 (Satin chrome finish)

Door Knocker and Viewer

Contents: 1 knocker; 1 viewer; 1 set of installation screws.

Description: Diecast knocker and 160° viewer; fits doors 1-3/8" to 1-3/4" thick; requires 1/2" installation hole.

Standard Pack: 6/box

S-4550 (Satin chrome)

Door Knocker & Viewer

Contents: 1 knocker; 1 viewer; 1 set of installation screws.

Description: Diecast knocker and 160° viewer; fits doors 1-3/8" to 1-3/4" thick; requires 1/2" installation hole.

Standard Pack: 6/box

▲ Call For Availability

Entry Door Security

E-2317 (Brass finish)

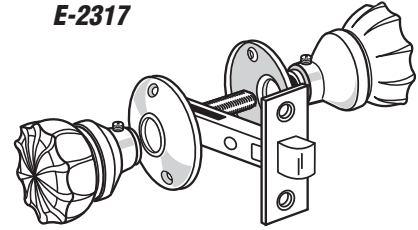
Passage Door Latch Set

Contents: 1 passage door latch; 1 spindle; 2 knobs; 2 rosettes and installation screws.

Description: Diecast latch; **glass, brass and painted steel** knobs; **plated and painted** rosettes; spindle hole accommodates 1/4" square shaft; use as decorative passage latch for 2-3/8" backset applications.

Standard Pack: 6/box

E-2317



E-2279 (Brass finish base)

E-2328 (Chrome plated finish base)

E-2536 (Satin nickel finish base)

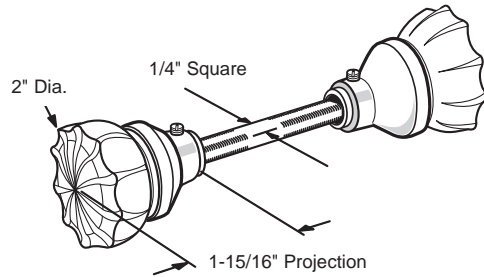
E-2537 (Classic bronze finish base)

Knob

Contents: 2 knobs and 1 spindle.

Description: **Glass** knobs as used on various exterior and interior locksets.

Standard Pack: 6/box



E-2279
E-2328
E-2536
E-2537

E-2280 (Brass finish)

E-2319 (White painted finish)

E-2498 (Satin nickel finish)

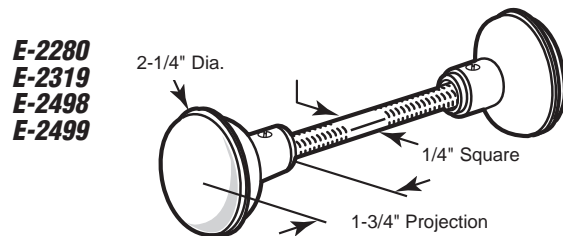
E-2499 (Classic bronze finish)

Knob

Contents: 2 knobs and 1 spindle.

Description: **Plated or painted steel** knobs as used on various exterior and interior locksets.

Standard Pack: 6/box



E-2280
E-2319
E-2498
E-2499

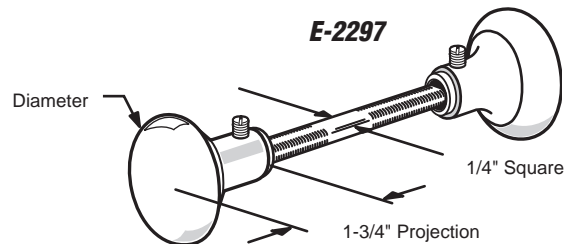
E-2297 (2-3/16" O.D. Solid brass)

Knob

Contents: 2 knobs and 1 spindle.

Description: **Brass** knobs as used on various exterior and interior locksets.

Standard Pack: 6/box



E-2297

▲ Call For Availability

E-2623
E-2625



E-2623 (Brass finish)
E-2625 (Satin nickel finish)

Privacy Latch Set

Contents: 2 knobs; 2 back plates; 1 strike; 1 latch and spindle.

Description: Fits 1" & 2-1/8" bore systems; 2-1/4" diameter knobs; 1/4" square drive system; high quality wrought steel design; unique "silencer" bushing provides smooth operation.



E-2642
E-2643



E-2642 (Brass finish)
E-2643 (Satin nickel finish)

Knob

Contents: 2 knobs and spindle.

Description: Replacement knob fits all vintage style hardware; uses 1/4" square drive system; unique "silencer" bushing provides smooth operation.

E-2631
E-2633



E-2631 (Brass finish)
E-2633 (Satin nickel finish)

Privacy Latch Set

Contents: 2 knobs; 2 back plates; 1 strike; 1 latch and spindle.

Description: Fits 1" & 2-1/8" bore systems; 2-5/16" diameter knobs; 1/4" square drive system; high clarity glass; unique "silencer" bushing provides smooth operation.



E-2646
E-2647



E-2646 (Brass finish)
E-2647 (Satin nickel finish)

Knob

Contents: 2 knobs and spindle.

Description: Replacement knob fits all vintage style hardware; uses 1/4" square drive system; unique "silencer" bushing provides smooth operation.

E-2659
E-2662



E-2659 (Brass finish)
E-2662 (Satin nickel finish)

Privacy Latch Set

Contents: 2 levers; 2 back plates; 1 strike; 1 latch and spindle.

Description: Fits 1" & 2-1/8" bore systems; 4-1/8" long levers; 1/4" square drive system; heavy weighted casting design; classic styling features; unique "silencer" bushing provides smooth operation.



E-2660
E-2663



E-2660 (Brass finish)
E-2663 (Satin nickel finish)

Lever

Contents: 2 levers and spindle.

Description: Replacement lever fits all vintage style hardware; uses 1/4" square drive system; unique "silencer" bushing provides smooth operation.

Deadlatch & Deadbolt Accessories

E-2311 (Brass finish - glass handles)

E-2496 (Satin nickel finish - glass handles)

E-2497 (Classic bronze finish - glass handles)

Mortise Lock Set (Keyed)

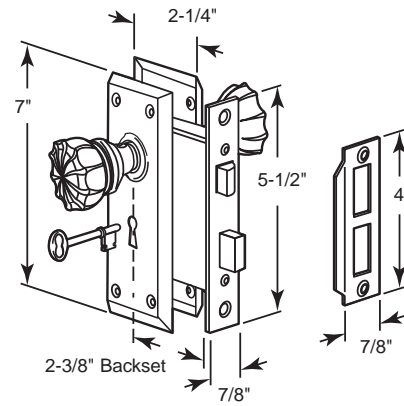
Contents: 1 mortise caselock assembly; 2 knobs; 2 trim plates strike plate and installation screws.

Description: **Steel** trim plates; **steel case**; lock bolt is key activated both inside and outside; spare keys available on special order; for interior use only.

You may wish to stock these related parts: **E-2279**, **E-2281**, **E-2294**, **E-2295**.

Standard Pack: 6/box

E-2311
E-2496
E-2497



E-2293 (Brass finish)

E-2330 (Satin nickel finish)

E-2495 (Classic bronze finish)

Mortise Lock Set (Keyed)

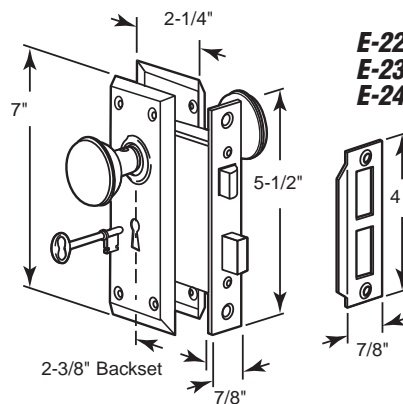
Contents: 1 mortise caselock assembly; 2 knobs; 2 trim plates strike plate and installation screws.

Description: **Brass plated steel** trim plates; **steel case**; lock bolt is key activated both inside and outside; spare keys available on special order; for interior use only.

You may wish to stock these related parts: **E-2279**, **E-2281**, **E-2294**, **E-2295**.

Standard Pack: 6/box

E-2293
E-2330
E-2495



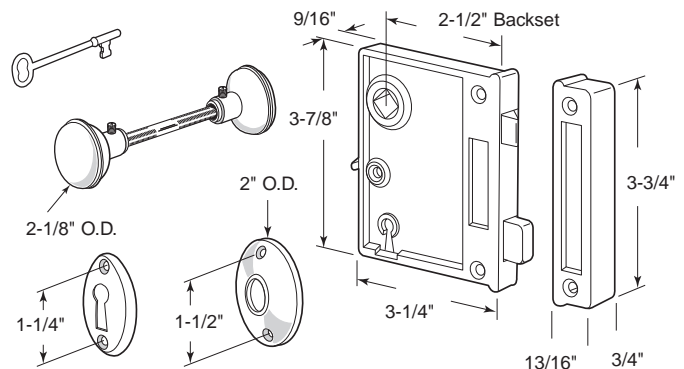
E-2437 (Brass finish)

Vertical Trim Lock Set (Surface mount)

Contents: 1 lock; 1 keeper; 1 key rosette; 1 knob rosette; 2 knobs; 2 keys.

Description: **Cast steel** case lock and keeper; **surface mount** design; **brass plated** steel knobs and rosettes; skeleton key system.

Standard Pack: 6/box



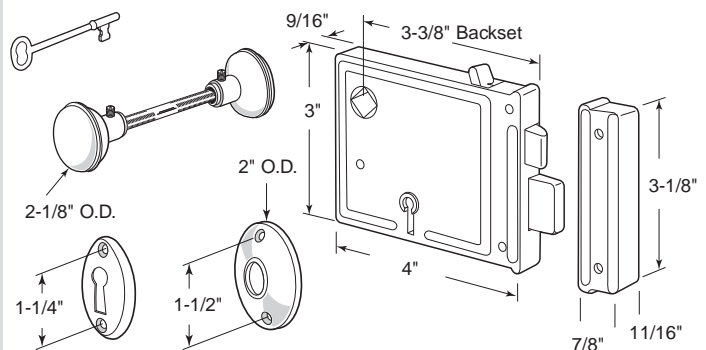
E-2478 (Brass finish)

Horizontal Trim Lock Set (Surface mount)

Contents: 1 lock; 1 keeper; 1 key rosette; 1 knob rosette; 2 knobs; 2 keys.

Description: **Cast steel** case lock and keeper; **surface mount** design; **brass plated** steel knobs and rosettes; skeleton key system.

Standard Pack: 6/box



▲ **Call For Availability**

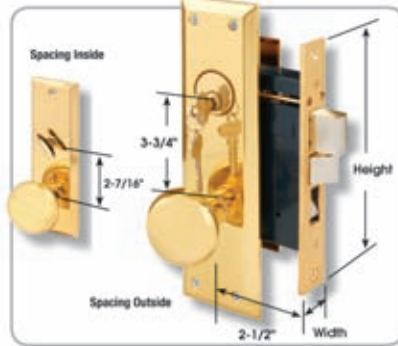
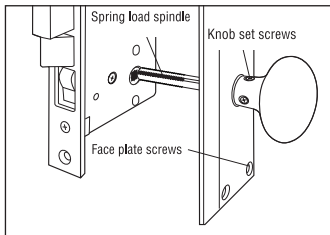


ENTRANCE MORTISE LOCKSET

- SE-26000** (Polished brass - Left handed - 7-5/8" h x 1-1/16" w)
- SE-26010** (Polished brass - Right handed - 7-5/8" h x 1-1/16" w)
- SE-27590** (Satin nickel - Left handed - 7-5/8" h x 1-1/16" w)
- SE-27600** (Satin nickel - Right handed - 7-5/8" h x 1-1/16" w)
- SE-27610** (Classic bronze - Left handed - 7-5/8" h x 1-1/16" w)
- SE-27620** (Classic bronze - Right handed - 7-5/8" h x 1-1/16" w)
- SE-27110** (Polished brass - Left handed - Wide faceplate - 8" h x 1-1/4" w)
- SE-27120** (Polished brass - Right handed - Wide faceplate - 8" h x 1-1/4" w)
- SE-27100** (Polished brass - Left handed - Vestibule - 7-5/8" h x 1-1/16" w)
- SE-27630** (Polished brass - Right handed - Vestibule - 7-5/8" h x 1-1/16" w)

Apartment Entry Lock Single Cylinder w/ Deadbolt

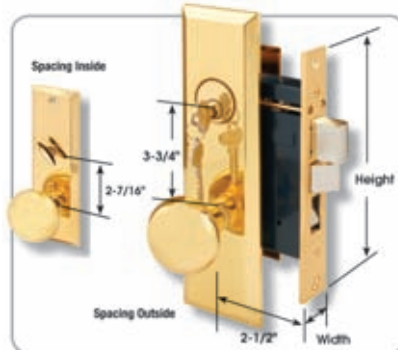
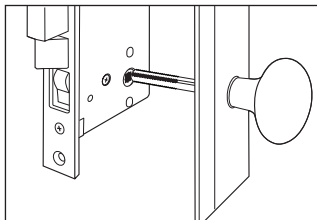
- Surface mounted trim plates
- 2-1/2" Backset
- Thru-spindle with screw on knob



- SE-26020** (Polished brass - Left handed - 7-5/8" h x 1-1/16" w)
- SE-26030** (Polished brass - Right handed - 7-5/8" h x 1-1/16" w)
- SE-27130** (Polished brass - Left handed - Wide faceplate - 8" h x 1-1/4" w)
- SE-27140** (Polished brass - Right handed - Wide faceplate - 8" h x 1-1/4" w)

Apartment Entry Lock Single Cylinder w/ Deadbolt

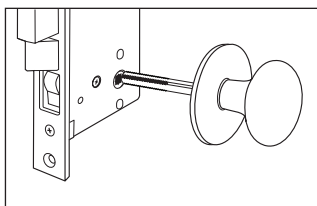
- Internally mounted trim plates
- 2-1/2" Backset
- Internally-bolted, self adjusting spring loaded spindle, screw-less knob



- SE-27580** (Polished brass - Right handed)
- SE-27570** (Polished brass - Left handed)

Apartment Entry Lock Double Cylinder w/ Deadbolt

- Internally mounted trim plates
- 2-1/2" Backset
- Internally-bolted, self adjusting spring loaded spindle, screw-less knob



- Grade II security
- Wrought solid brass 2-1/4" diameter knobs
- Exterior rosette 2-5/8" wrought solid brass, steel reinforced
- Interior rosette 2-5/8" wrought solid brass, steel reinforced
- Mortise cylinder from solid brass bar stock, 1" length, Segal SE-1 original keyway, 2 keys
- Fits 1-3/8" to 1-3/4" thick doors
- Rocker switch locks or un-locks exterior knob function
- Additional cylinders available for thicker doors
- 3-3/4" exterior knob to cylinder spacing
- 1" dead-bolt projection
- 9/16" solid brass latch bolt projection, field reversible
- 3/16" thick cast solid brass lock faceplate
- High pressure die cast zamac case and vital working parts
- Strike and dust box included

LIMITED LIFETIME WARRANTY



E-2294 (2-3/8" backset)

E-2692 (2-1/4" backset)

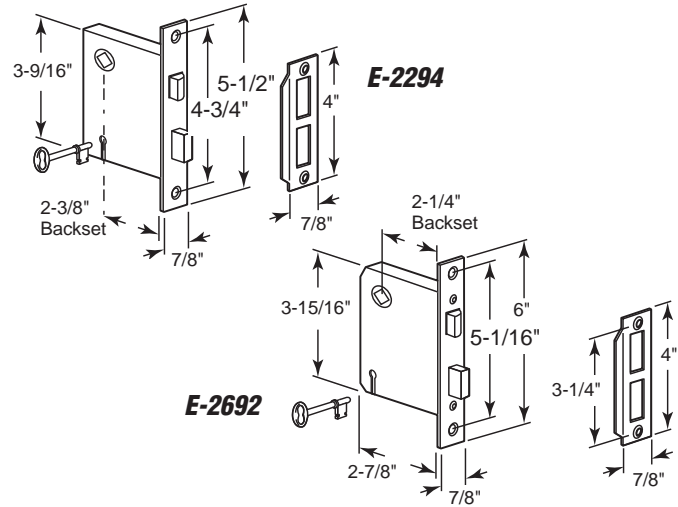
Mortise Lock Assembly (Keyed)

Contents: 1 mortise caselock assembly; strike plate and installation screws.

Description: Mortise caselock with **brass plated** faceplate; **steel case**; spindle hole accommodates 1/4" to 5/16" square shaft.

You may wish to stock these related parts: **E-2293, E-2295 and E-2311.**

Standard Pack: 6/box



E-2282 (Brass plated finish)

E-2320 (White painted finish)

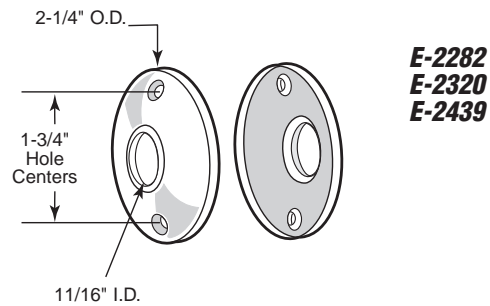
E-2439 (Chrome plated finish)

Door Knob Rosettes (2-1/4")

Contents: 2 rosettes & installation screws.

Description: **Plated and painted steel** rosettes; screw mounted on door; for old style passage locks.

Standard Pack: 6/box



E-2541 (Brass plated finish)

E-2564 (White finish)

E-2542 (Satin nickel finish)

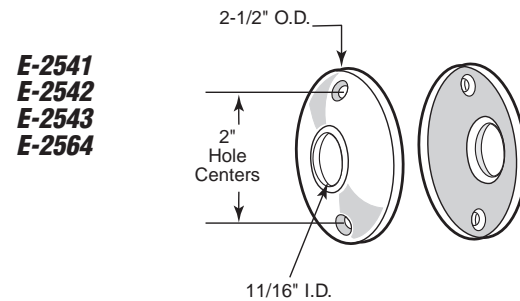
E-2543 (Classic bronze finish)▲

Door Knob Rosettes (2-1/2")

Contents: 2 rosettes & installation screws.

Description: **Plated and painted steel** rosettes; screw mounted on door; for old style passage locks.

Standard Pack: 6/box



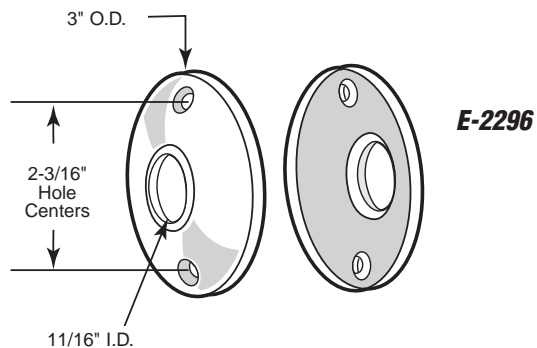
E-2296 (Solid brass)

Door Knob Rosettes (3")

Contents: 2 rosettes & installation screws.

Description: **Brass** rosettes; screw mounted on door; for old style passage locks.

Standard Pack: 6/box



E-2459 (Brass finish - 2 per card)

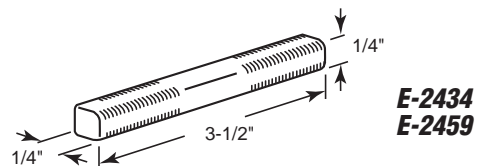
E-2434 (Brass finish - 10 per box)

Spindles

Contents: Spindles.

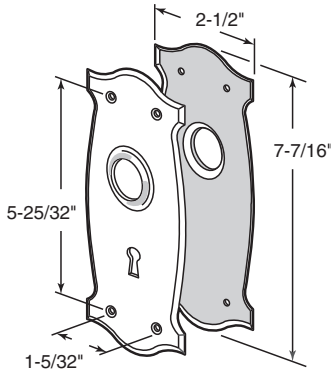
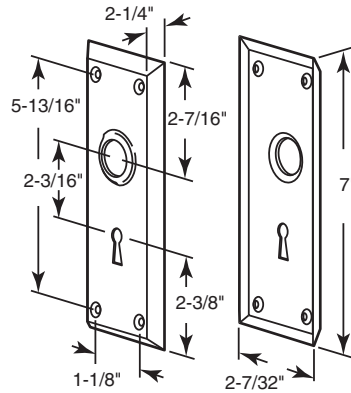
Description: Threaded steel spindle used on old style knobs.

Standard Pack: 6/box



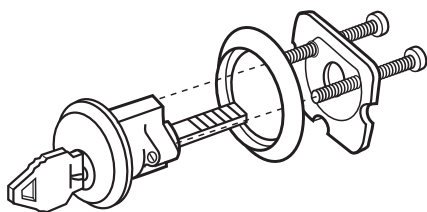
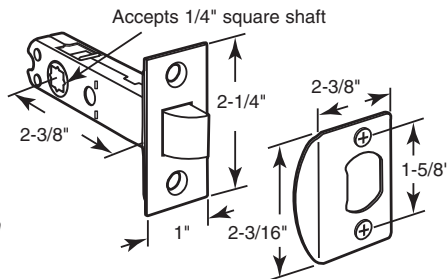
▲ **Call For Availability**

E-2295

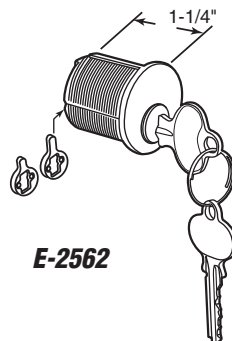


E-2346

**E-2281
E-2440**



**U-9965
U-9966
U-10527**



E-2562

E-2295 (Brass finish)

Door Escutcheon Plates

Contents: 1 inside and 1 outside escutcheon plate & installation screws.

Description: Brass plated steel plates; repair parts for E-2293.

You may wish to stock these related parts: **E-2293, E-2294 and E-2311.**

Standard Pack: 6/box

E-2346 (Brass finish)

Door Escutcheon Plates (Decorative)

Contents: 1 inside and 1 outside escutcheon plate & installation screws.

Description: Brass plated heavy metal casting plates.

You may wish to stock these related parts: **E-2293, E-2294 and E-2311.**

Standard Pack: 6/box

E-2281 (Brass finish)

E-2440 (Chrome finish)

Passage Door Latch

Contents: 1 latch, 1 strike & installation screws.

Description: Diecast latch with brass plated face for old style passage doors; accepts 1/4" square shaft.

You may wish to stock these related parts: **E-2279, E-2280, E-2282, E-2296 and E-2297.**

Standard Pack: 6/box

U-9965 (Kwikset keyway)

U-9966 (Schlage keyway)

U-10527 (Kwikset keyway - 2 pack, keyed alike)

Rim Cylinder Lock (Brass finish)

Contents: 1 key cylinder with trim ring and 2 keys; 1 mounting plate and 2 screws.

Description: Heavy-duty zinc diecast housing with brass face and 5 pin tumbler lock.

Standard Pack: 6/box

E-2562 (Segal keyway)

Cylinder Lock (Brass finish)

Contents: 1 key cylinder; 2 cams; and 2 keys.

Description: Solid brass; 5 pin tumbler; **Segal** SE-1 keyway; 2 cam options; fits most entry door mortise lock systems.

Standard Pack: 6/box

▲ Call For Availability

Phone: (909) 887-8118 • Outside CA (800) 255-3505

Fax: (909) 880-2906 • Outside CA (800) 437-7405

Entry Door Security

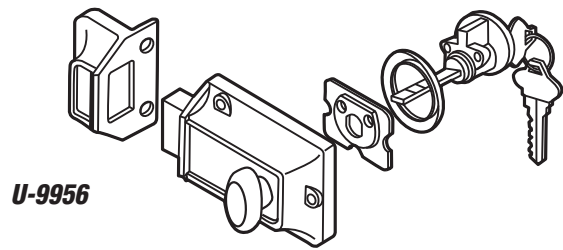
U-9956 (Brass painted finish)

Deadbolt Lock & Locking Cylinder

Contents: 1 night lock with locking cylinder and trim ring; 2 keys; 1 mounting plate; 1 keeper and installation screws.

Description: Brass painted diecast locking unit and keeper; five pin tumbler cylinder; 1-1/4" bore; uses Kwikset keyway.

Standard Pack: 5/box



U-9956

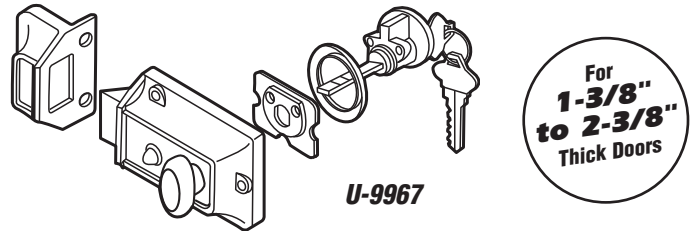
U-9967 (Brass painted finish)

Night Latch & Locking Cylinder

Contents: 1 night latch with locking cylinder and trim ring; 2 keys; 1 mounting plate; 1 keeper and installation screws.

Description: Brass painted diecast locking unit and keeper; hold open feature; spring latch for automatic locking; five pin tumbler cylinder; 1-1/4" bore; uses Kwikset keyway.

Standard Pack: 5/box



U-9967

U-9968 (Polished brass finish - Kwikset keyway)

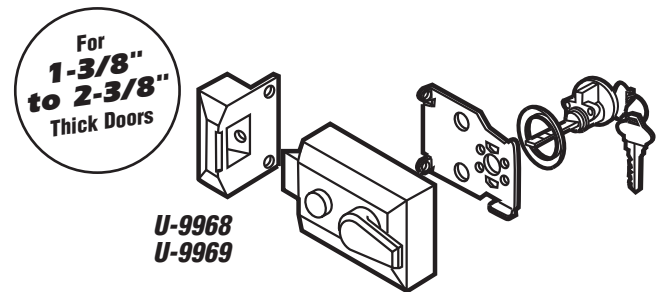
U-9969 (White finish - Kwikset keyway)

Night Latch & Locking Cylinder

Contents: 1 night latch with locking cylinder and trim ring; 2 keys; 1 mounting plate; 1 keeper and installation screws.

Description: Plated and painted diecast locking unit and keeper; contemporary design; hold open feature; spring latch for automatic locking; five pin tumbler cylinder; 1-1/4" bore.

Standard Pack: 5/box



**U-9968
U-9969**

U-9970 (Brass painted finish)

U-9971 (White painted finish)

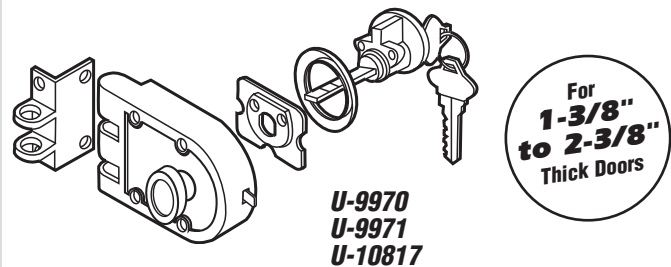
U-10817 (Satin nickel finish)

Jimmy-resistant Deadlock (Single cylinder)

Contents: 1 locking unit with locking cylinder and trim ring; 1 mounting plate; 1 keeper & installation screws.

Description: Painted diecast locking unit and strike; locks door to jamb to prevent forced entry; 5-pin tumbler cylinder; requires a 1-1/4" hole; includes tamper-resistant shutter guard; uses Kwikset keyway.

Standard Pack: 5/box



**U-9970
U-9971
U-10817**

U-9972 (Brass painted finish)

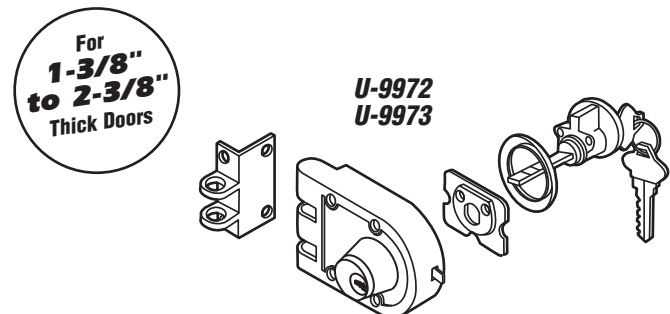
U-9973 (White painted finish)

Jimmy-resistant Deadlock (Double cylinder)

Contents: 1 locking unit with locking cylinder and trim ring; 1 mounting plate; 1 keeper & installation screws.

Description: Painted and plated diecast locking unit and strike; locks door to jamb to prevent forced entry; double cylinder unit is ideal for doors with glass panes or when located next to a glass side lite; 5-pin tumbler cylinder; requires a 1-1/4" hole; includes tamper-resistant shutter guard; uses Kwikset keyway.

Standard Pack: 5/box

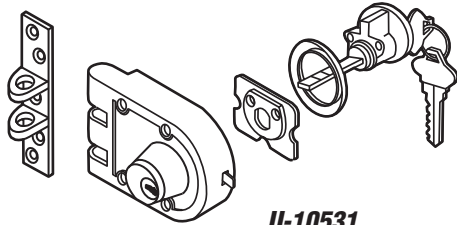
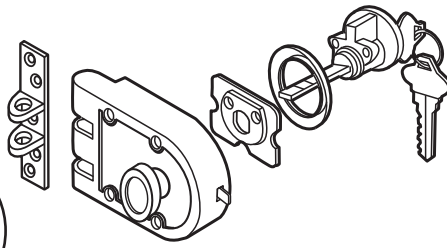


**U-9972
U-9973**

▲ Call For Availability

U-10530

For
1-3/8"
to **2-3/8"**
Thick Doors



U-10531

For
1-3/8"
to **2-3/8"**
Thick Doors

U-10530 (Cast bronze)

Jimmy-resistant Deadlock (Single cylinder)

Contents: 1 locking unit with locking cylinder and trim ring; 1 mounting plate; 1 keeper & installation screws.

Description: Locks door to jamb to prevent forced entry; 5-pin tumbler cylinder; requires a 1-1/4" hole; includes tamper-resistant shutter guard; uses Segal keyway.

Standard Pack: 5/box

U-10531 (Cast bronze)

Jimmy-resistant Deadlock (Double cylinder)

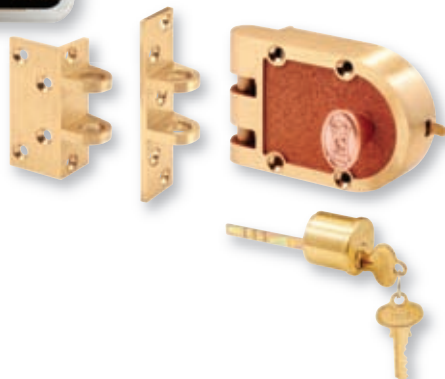
Contents: 1 locking unit with locking cylinder and trim ring; 1 mounting plate; 1 keeper & installation screws.

Description: Locks door to jamb to prevent forced entry; double cylinder unit is ideal for doors with glass panes or when located next to a glass side lite; 5-pin tumbler cylinder; requires a 1-1/4" hole; includes tamper-resistant shutter guard; uses Segal keyway.

Standard Pack: 5/box

SEGAL®

Developed in New York City in 1912, Segal Locks are the highest quality, surface-mount door locks available. Made from cast bronze material and equipped with a drop forged bolt and solid brass cylinder with a 5-pin tumbler, Segal Locks are some of the strongest locking devices on the market today.



Model Number	Strike Supplied	Finish	Standard Packaging	Keying	Box Qty
SE 15311	Angle	Brushed Brass	Clamshell	KD	3
SE 15321	Flat	Brushed Brass	Clamshell	KD	3
SE 15361	Angle & Flat	Brushed Brass	Clamshell	KD	3
SE 15323	Flat	Brushed Chrome	Clamshell	KD	3
SE 15316	Angle	Brushed Brass	Box	KD	6
SE 15326	Flat	Brushed Brass	Box	KD	6
SE 15366	Angle & Flat	Brushed Brass	Box	KD	6
SE 15716	Angle	Brushed Brass	Box	KA	6
SE 15726	Flat	Brushed Brass	Box	KA	6
SE 15318	Angle	Brushed Chrome	Box	KD	6
SE 15328	Flat	Brushed Chrome	Box	KD	6
SE 15728	Flat	Brushed Chrome	Box	KA	6
SE 15329	Flat	Brushed Chrome (Schlage Keyway)	Box	KA	6
SE 15332	Angle & Flat	Brushed Chrome	Box	KA	6

Single Cylinder

U-10530 (Cast bronze)

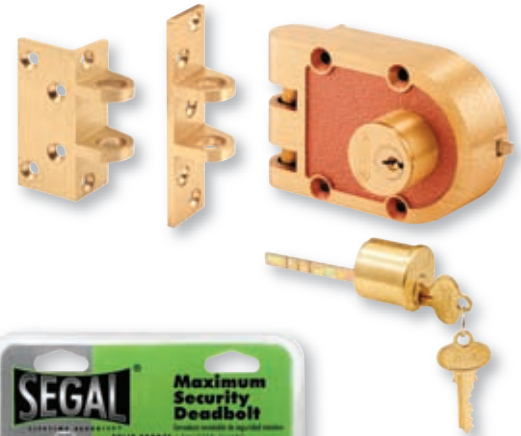
Contents: 1 locking unit with locking cylinder and trim ring; 1 mounting plate; 1 keeper & installation screws.

Description: Locks door to jamb to prevent forced entry; 5-pin tumbler cylinder; requires a 1-1/4" hole; includes tamper-resistant shutter guard; uses Segal keyway.

Double Cylinder

Model Number	Strike Supplied	Finish	Standard Packaging
SE 19311	Angle	Brushed Brass	Clamshell
SE 19321	Flat	Brushed Brass	Clamshell
SE 19361	Angle & Flat	Brushed Brass	Clamshell
SE 19316	Angle	Brushed Brass	Box
SE 19326	Flat	Brushed Brass	Box
SE 19366	Angle & Flat	Brushed Brass	Box
SE 19716	Angle	Brushed Brass	Box
SE 19726	Flat	Brushed Brass	Box
SE 19318	Angle	Brushed Brass	Box
SE 19323	Flat	Brushed Brass	Box
SE 19332	Angle & Flat	Brushed Brass	Box

Keying	Box Qty
KD	3
KD	3
KD	3
KD	6
KD	6
KD	6
KA	6
KA	6
KD	6
KD	6
KD	6



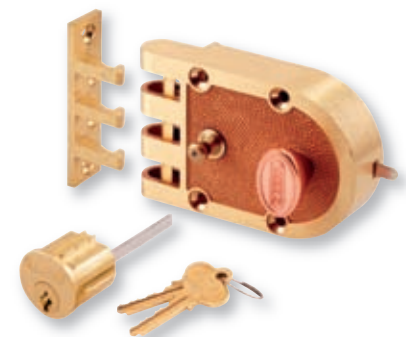
Jimmy-resistant Deadlock (Cast bronze)

Contents: 1 locking unit with locking cylinder and trim ring; 1 mounting plate; 1 keeper & installation screws.

Description: Locks door to jamb to prevent forced entry; double cylinder unit is ideal for doors with glass panes or when located next to a glass side lite; 5-pin tumbler cylinder; requires a 1-1/4" hole; includes tamper-resistant shutter guard; uses Segal keyway.

Model Number	Strike Supplied	Finish	Standard Packaging
SE 14326	Angle & Flat	Brushed Brass	Clamshell
SE 14328	Angle & Flat	Brushed Chrome	Clamshell
SE 14327	Flat	Brushed Brass	Box
SE 14329	Flat	Brushed Chrome	Box

Keying	Box Qty
KD	3
KD	3
KD	6
KD	6



Slam Lock (Cast bronze)

Contents: 1 locking unit with locking cylinder and trim ring; 1 mounting plate; 1 keeper & installation screws.

Description: Locks door to jamb to prevent forced entry; double cylinder unit is ideal for doors with glass panes or when located next to a glass side lite; 5-pin tumbler cylinder; requires a 1-1/4" hole; includes tamper-resistant shutter guard; uses Segal keyway.



▲ Call For Availability

SEGAL®



Model Number	Materials	Finish	Standard Packaging	Keying	Box Qty
SE 70002	Brass	Brushed Brass	Clamshell	KD	6
SE 70003	Brass	Brushed Chrome	Clamshell	KD	6
SE 70022	Brass	Brushed Brass	Clamshell	KA-2	6
SE 70007	Brass	Brushed Brass	Box	KD	6
SE 70008	Brass	Brushed Chrome	Box	KD	6
SE 70052	Brass	Brushed Brass	Clamshell	KD34344	6
SE 70053	Brass	Brushed Brass	Clamshell	KD32626	6
SE 70054	Brass	Brushed Brass	Clamshell	KD23465	6
SE 70055	Brass	Brushed Brass	Clamshell	KD34343	6
SE 70056	Brass	Brushed Brass	Clamshell	KD34336	6
SE 70057	Brass	Brushed Brass	Clamshell	KD34335	6
SE 70058	Brass	Brushed Brass	Clamshell	KD34346	6
SE 70059	Brass	Brushed Brass	Clamshell	KD34341	6
SE 70060	Brass	Brushed Brass	Clamshell	KA34342	6
SE 76007	Brass	Brushed Brass	Box	KA	6
SE 76008	Brass	Brushed Chrome	Box	KA	6
<hr/>					
SE 66002	Zinc	Brass Plated	Clamshell	KD	6
SE 66007	Zinc	Brass Plated	Box	KD	6
SE 75007	Zinc	Brass Plated	Box	KA	6



SE-70001

SE-80000
SE-80001



▲ Call For Availability

Replacement Cylinders

Contents: 1 locking cylinder; 1 mounting plate; 2 keys & installation screws.

Description: Solid brass or zinc construction with brushed brass finish or a brushed chrome finish.

SE-70001 (Brass)

Key Blanks

Contents: Bag of 50 keys.

Description: Solid brass; original Segal keyway.

Standard Pack: 6/box

SE-80000 (Brass plated)

SE-80001 (Chrome plated)

Cylinder Guard Plate (Steel)

Contents: Plated shield; (4) 5/16" x 2" carriage bolts; washers and cap nuts.

Description: Secures against forced entry; **used on outswing doors;** for residential, commercial and industrial use; fits rim cylinder night locks.

Standard Pack: 6/box

Entry Door Security

SE-15308 (1/4")

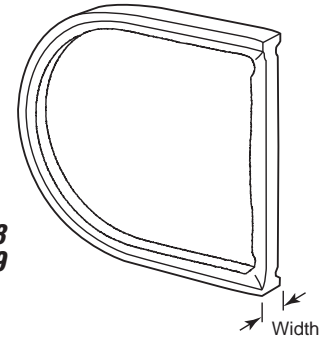
SE-15309 (1/2")

Deadlock Shim Plate (Brushed brass)

Contents: 1 shim plate.

Description: Secures against forced entry; **used on outswing doors**; for residential, commercial and industrial use; fits rim cylinder night locks.

Standard Pack: 6/box



SE-15308
SE-15309

SE-15304 (Brushed brass - angle)

SE-15305 (Brushed brass - flat)

SE-15306 (Brushed chrome - angle)

SE-15307 (Brushed chrome - flat)

SE-15295 (Brushed brass - angle - Deep inset for modern jambs)

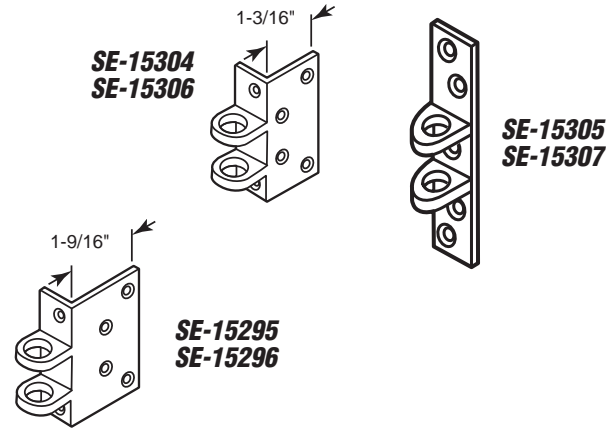
SE-15296 (Brushed chrome - angle - Deep inset for modern jambs)

Strike

Contents: 1 strike; 1 set of installation fasteners.

Description: **Cast bronze** replacement strikes for the original Segal locks.

Standard Pack: 6/box



SE-15297 (Nickel)

SE-15298 (Copper)

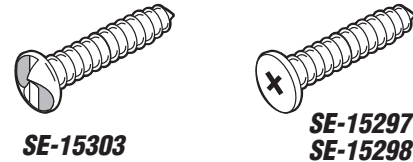
SE-15303 (Copper - one-way)

Fasteners

Contents: 10 fasteners per bag.

Description: #10 x 2"; original fasteners used on Segal locks.

Standard Pack: 6/box



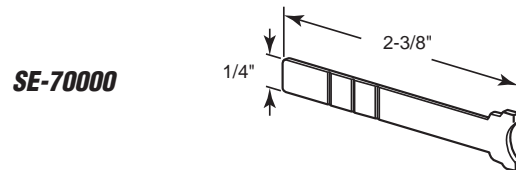
SE-70000

Lock Cylinder Tail Piece

Contents: 10 tail pieces per bag.

Description: Original tail piece used on Segal rim cylinders.

Standard Pack: 6/box



SE-15299 (Bolt release)

SE-15300 (Bolt catch)

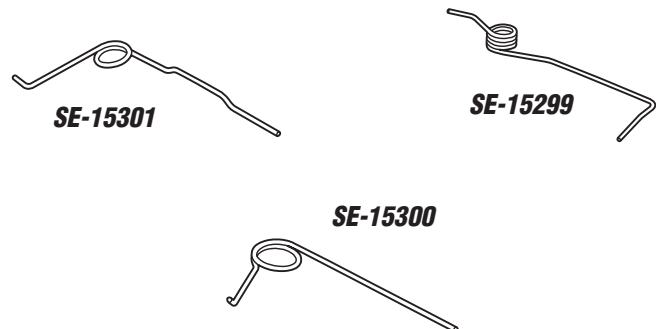
SE-15301 (Shutter)

Springs

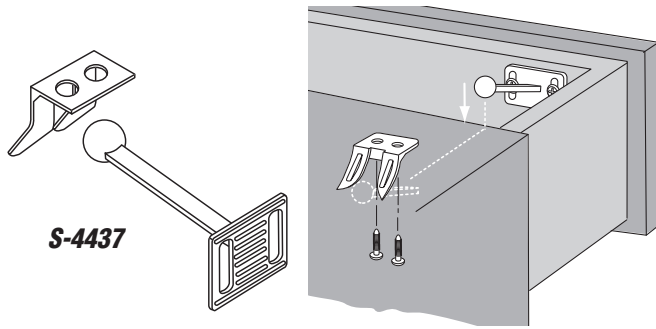
Contents: 10 springs per bag.

Description: Original internal springs used on Segal locks.

Standard Pack: 6/box



▲ Call For Availability



S-4437

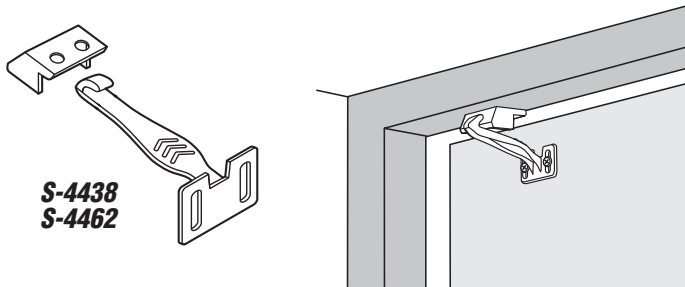
S-4437 (White)

Ball Cabinet Catches

Contents: 2 ball catches; 2 keepers and installation screws.

Description: Plastic catch for use on cabinets and drawers to deter small children's access.

Standard Pack: 6/box



**S-4438
S-4462**

S-4438 (White - 3 pack)

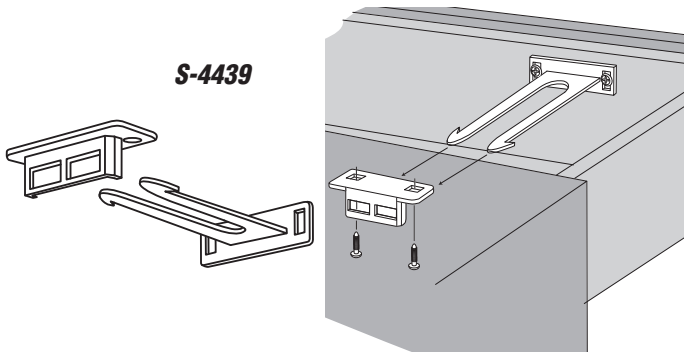
S-4462 (White - 6 piece "Value" pack)

Cabinet Catches

Contents: Hook catches; keepers and installation screws.

Description: Plastic catch for use on cabinets and drawers to deter small children's access.

Standard Pack: 6/box



S-4439

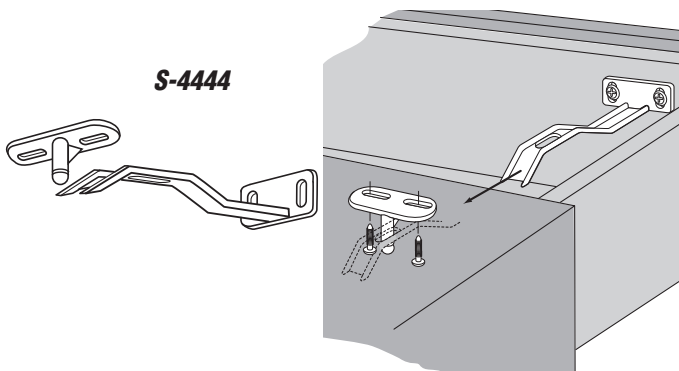
S-4439 (White)

Drawer Catches

Contents: 3 double hook catches; 3 keepers and installation screws.

Description: Plastic catch allows drawer or cabinet door to open about 1-1/2"; hooks must be compressed to open.

Standard Pack: 6/box



S-4444

S-4444 (White)

Drawer Catch

Contents: 3 safety latches; 3 keepers and installation screws.

Description: Plastic catch offers double protection to toddlers; when engaged, this catch limits accessibility and also protects tiny fingers from being pinched if unit is closed accidentally.

Standard Pack: 6/box

▲ Call For Availability

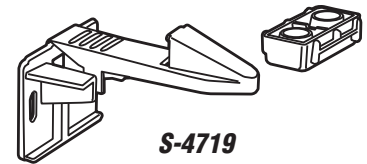
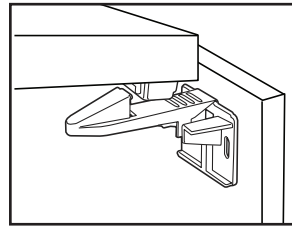
S-4719 (White)

Cabinet Catches

Contents: 3 hook catches; 3 keepers and installation screws.

Description: Plastic catch for use on cabinets and drawers to deter small children's access.

Standard Pack: 6/box



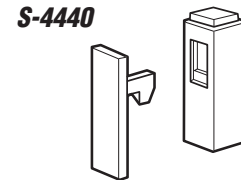
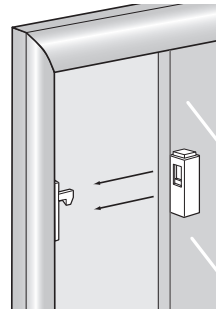
S-4440 (Ivory)

Cabinet Locks

Contents: 2 locks; 2 keepers.

Description: No tools required; plastic lock and keeper have self-adhesive backers; use on sliding cabinet doors.

Standard Pack: 6/box



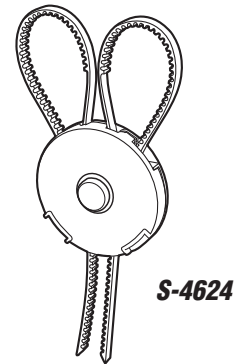
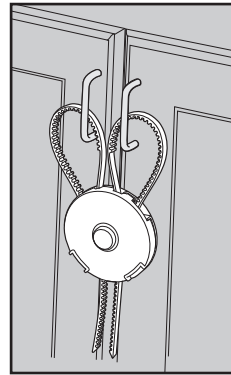
S-4624 (White)

Cabinet Knob Strap Lock

Contents: 1 loop lock and 1 locking mechanism.

Description: No tools required; plastic lock attaches over knobs or thru pulls on a pair of cabinet doors; ratcheting action holds doors closed; easy removal.

Standard Pack: 6/box



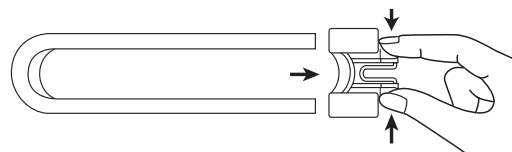
S-4442 (White)

Cabinet Slide Lock

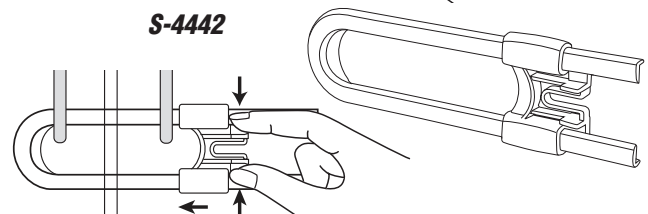
Contents: 2 loop locks and 2 locking mechanisms.

Description: No tools required; plastic lock attaches over knobs or thru pulls on a pair of cabinet doors; ratcheting action holds doors closed; easy removal.

Standard Pack: 6/box



S-4442



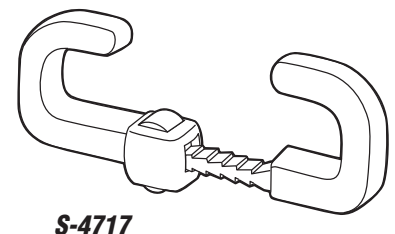
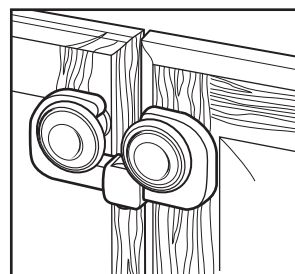
S-4717 (White)

Cabinet Slide Lock

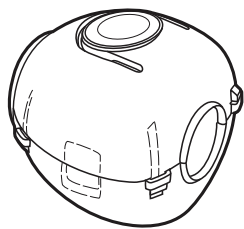
Contents: 1 loop lock.

Description: No tools required; plastic lock attaches over knobs or thru pulls on a pair of cabinet doors; ratcheting action holds doors closed; easy removal.

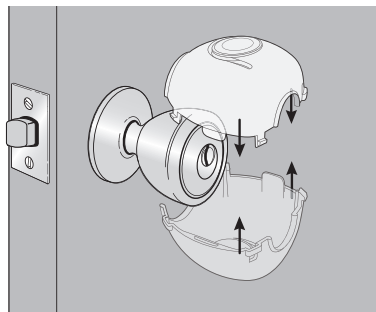
Standard Pack: 6/box



▲ Call For Availability



S-4441



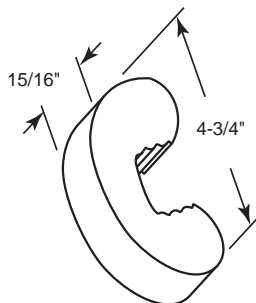
S-4441 (White)

Door Knob Covers

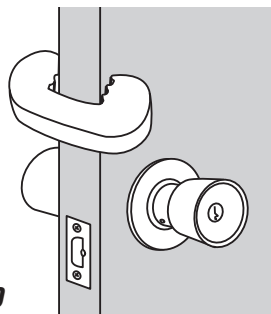
Contents: 2 knob covers.

Description: Plastic covers may be applied over most door knobs to keep toddlers from gaining entry to off-limit areas.

Standard Pack: 6/box



S-4560



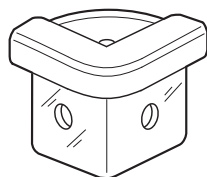
S-4560 (White)

Door Blocker

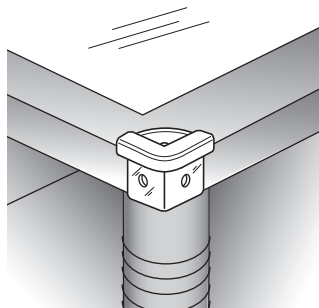
Contents: 1 door blocker.

Description: Soft foam shape fits 1-3/8" thick doors; prevents door from closing on little fingers; white color.

Standard Pack: 6/box



S-4445



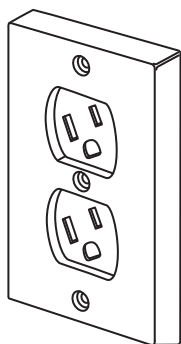
S-4445 (Clear)

Corner Cushion

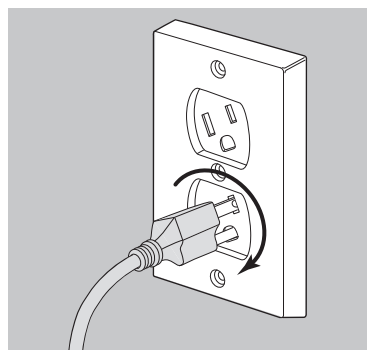
Contents: 4 corner cushions.

Description: Plastic cushions, when applied to sharp corners on furniture, can assist in deterring serious injury to small children; NO TOOLS REQUIRED; self adhesive pads facilitate easy installation.

Standard Pack: 6/box



S-4447
S-4461



S-4447 (Ivory)

S-4461 (White)

Swivel Outlet Cover

Contents: 1 cover.

Description: Plastic cover assembly protects tiny fingers or prying objects from causing electrical shock; replaces existing outlet cover and spring loaded plug covers do the rest.

Standard Pack: 6/box

▲ Call For Availability

Child Safety

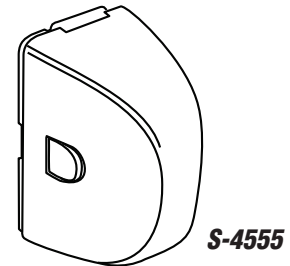
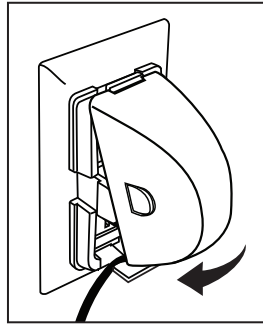
S-4555 (White)

In-Use Plug & Outlet Cover

Contents: 2 covers.

Description: Plastic cover assembly protects tiny fingers or prying objects from causing electrical shock.

Standard Pack: 6/box



S-4555

S-4443 (White - 12 Pack)

S-4551 (White - 24 Pack)

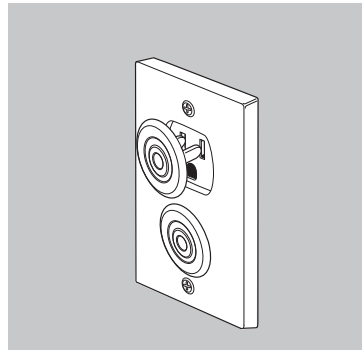
S-4460 (Clear - 12 Pack)

Shock Guard

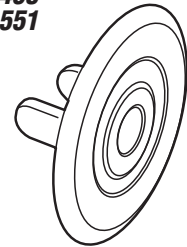
Contents: Guards.

Description: No tools required; plastic guards protect tiny fingers or prying objects from causing electrical shock.

Standard Pack: 6/box



**S-4443
S-4460
S-4551**



S-4724 (White)

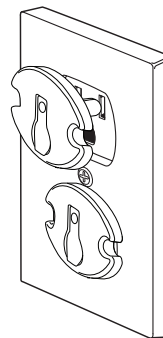
S-4725 (Ivory)

Shock Guard

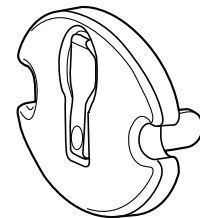
Contents: 30 Guards.

Description: No tools required; plastic guards protect tiny fingers or prying objects from causing electrical shock; push and pull lever for extra security.

Standard Pack: 6/box



**S-4724
S-4725**



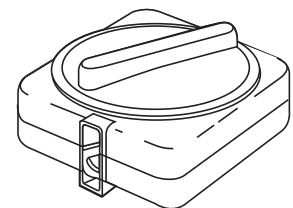
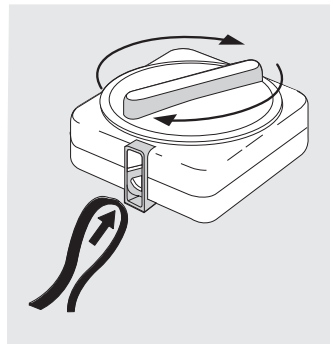
S-4446 (Ivory)

Electrical Cord Shortener

Contents: 1 cord shortener.

Description: Plastic mechanism aids in reducing the chance of tripping over cords by reeling-in excess length.

Standard Pack: 6/box



S-4446

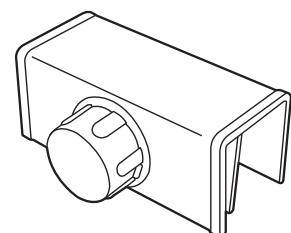
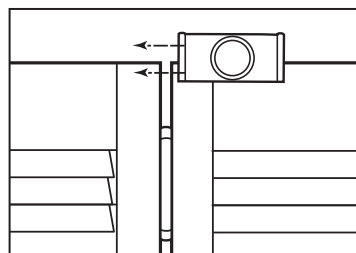
S-4553 (White)

Bi-Fold Door Safety Catch

Contents: 1 catch.

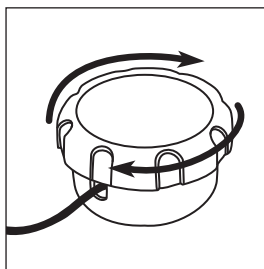
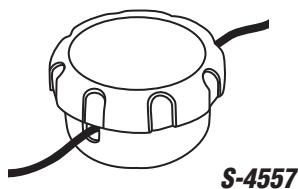
Description: Fits up to a 1-3/8" thick door, slides over split in doors to stop doors from opening; protects against child access, white plastic.

Standard Pack: 6/box



S-4553

▲ Call For Availability



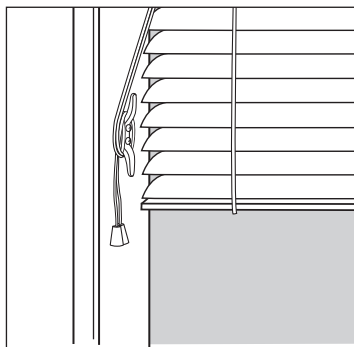
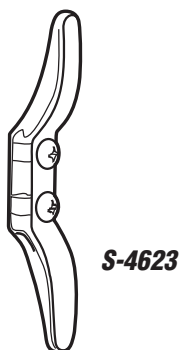
S-4557 (White)

Window Blind Cord Winder

Contents: 2 cord wraps.

Description: The cord winder conceals potentially dangerous excess cord and keeps it out of child's reach.

Standard Pack: 6/box



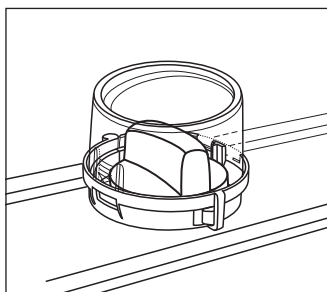
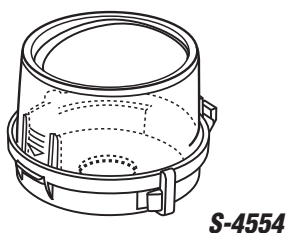
S-4623 (Clear)

Drapery Cord Safety Cleat

Contents: 4 cord cleats.

Description: Helps keep window blind cords out of reach; **clear plastic**; mounts with 2 screws.

Standard Pack: 6/box



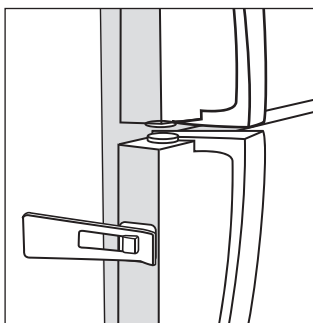
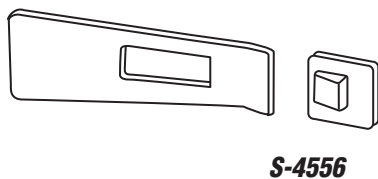
S-4554 (Clear)

Stove Knob Covers

Contents: 4 knob covers.

Description: **Plastic** covers help prevent children from turning stove knobs; cover hinges back for normal use; hinged design for ease of use.

Standard Pack: 6/box



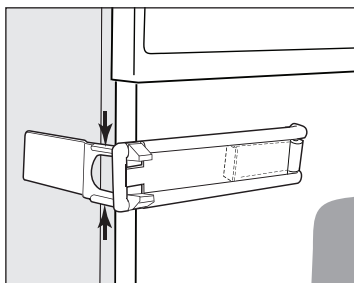
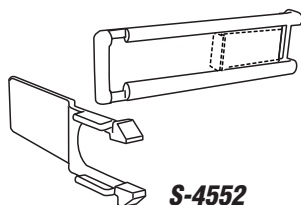
S-4556 (White)

Appliance Lock

Contents: 1 lock.

Description: Snap lock for any hinged door; helps keep children out; fits refrigerators, microwaves, cabinet doors; adhesive mounted.

Standard Pack: 6/box



S-4552 (White)

Oven & Microwave Lock

Contents: 1 lock.

Description: Hinged lock helps keep children out of oven or microwave; adhesive mounted.

Standard Pack: 6/box

▲ Call For Availability

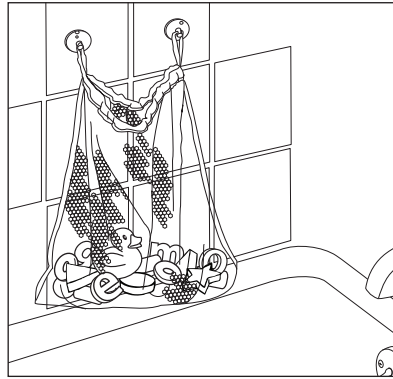
S-4629 (White)

Bathtub Toy Storage Net

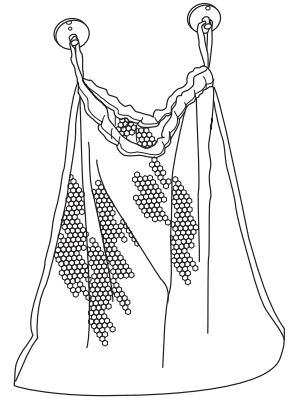
Contents: 1 lock.

Description: Storage net keeps children's toys dry and out of the way; suction cup mounting to any smooth surface.

Standard Pack: 6/box



S-4629



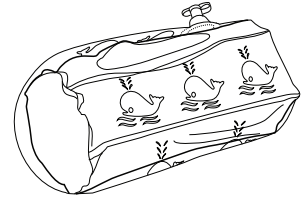
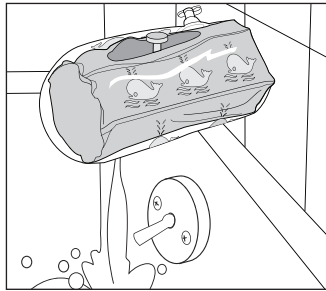
S-4628 (Inflatable)

Bathtub Spout Cover

Contents: 1 cover.

Description: Spout cover guards the bath tub faucet and protects children from bumps; inflatable; blue color.

Standard Pack: 6/box



S-4628

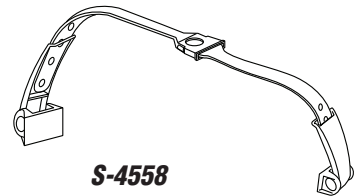
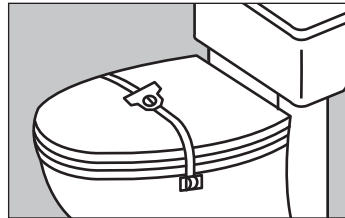
S-4558 (White)

Toilet Lid Safety Lock

Contents: 1 lock.

Description: Toilet lid flip lock; adhesive mounts to side of toilet; prevents lid from opening.

Standard Pack: 6/box



S-4558

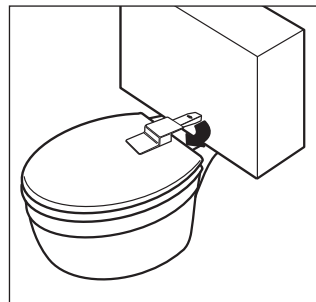
S-4715 (White)

Toilet Lid Flip Lock

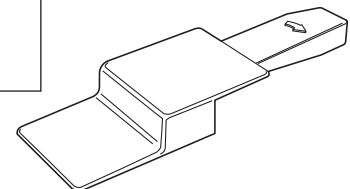
Contents: 1 lock.

Description: Toilet lid flip lock; adhesive mounts to top of toilet lid; spring loaded arm prevents lid from opening.

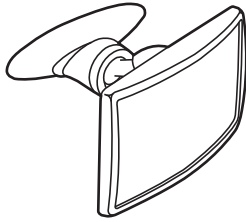
Standard Pack: 6/box



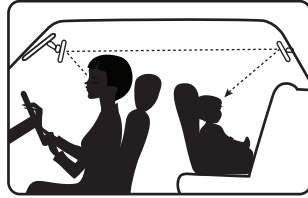
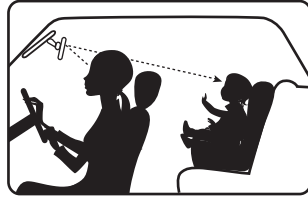
S-4715



▲ Call For Availability



S-4627



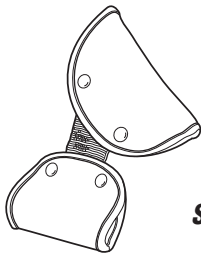
S-4627 (Black)

Baby Seat Mirror

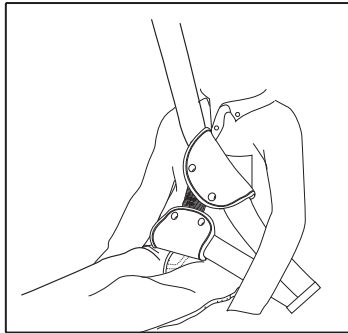
Contents: 1 mirror.

Description: Car mirror suction cup mounts to windshield; allows driver to see child safely.

Standard Pack: 6/box



S-4625



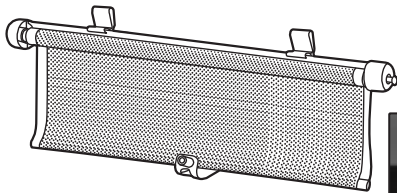
S-4625 (Black)

Seatbelt Adjuster Pads

Contents: 1 adjuster.

Description: For use with children over 50 lbs.; aligns seat belt and shoulder strap across chest; helps prevent unsafe strap position on smaller bodies.

Standard Pack: 6/box



S-4626



S-4626 (Black)

Child Car Sun Shield

Contents: 1 shield.

Description: Suction cup mounts to any window; roll-up feature blocks UV rays; protects child from prolonged sun exposure; 14" wide x 19-1/2" long.

Standard Pack: 6/box



S-4729



S-4729

Baby On Board Sign

Contents: 1 shield.

Description: 5"; yellow 'Baby On Board' car window sign; suction cup mounts to any window;

Standard Pack: 6/box

▲ Call For Availability

U-9951 (Zinc finish)

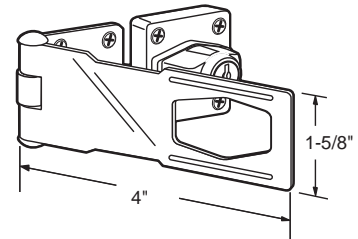
Keyed Hasp

Contents: 1 hasp; 1 locking mechanism and installation screws.

Description: **Plated steel hasp** hinges over **diecast** locking mechanism; twist keyed knob to lock and use key to unlock; hasp covers screws when in locked position; uses ILCO 1098M keyway.

Standard Pack: 6/box

U-9951



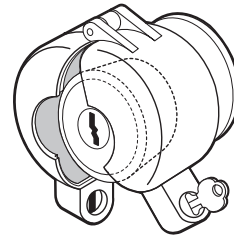
S-4180

Lockout Device

Contents: 1 lock per carton

Description: **Diecast, gray painted** lock; prevents door knob from being turned; deters tampering; key locked for maximum security.

Standard Pack: 6/bag



S-4180

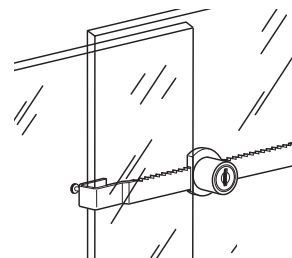
U-9949 (Chrome finish)

Showcase Window Key Lock

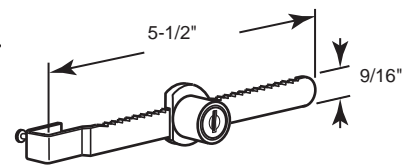
Contents: 1 lock; 2 keys; 1 adjustable bar.

Description: **Chrome-plated steel** showcase and pass-thru window lock; fits up to 5/16" thick glass; adjustable lock allows for various closing alignments; easy to install; uses ILCO 1000X keyway.

Standard Pack: 6/box



U-9949

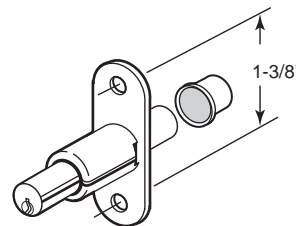


S-4256 (Chrome finish)

Showcase Plunger Lock

Contents: 1 lock; 1 ferrule; 2 keys.

Description: **Plated diecast** installation plate and **steel** plunger bolt; lock installs easily on sliding doors with track assemblies; it can be installed at top or bottom of door frame; spring activated design permits locking by pushing the plunger without using a key; bore size is 9/16" diameter.



S-4256

U-9947 (Brass finish)

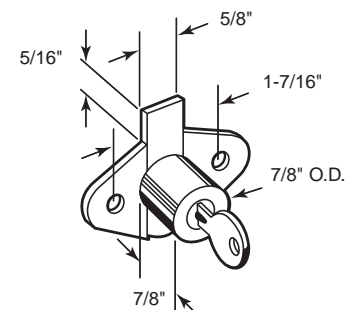
Drawer & Cabinet Lock

Contents: 1 lock; 2 keys and installation screws.

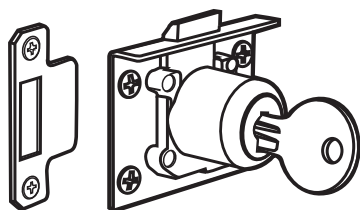
Description: **Brass-plated diecast housing;** keyed locking unit; fits a 7/8" hole; 5/16" bolt throw; uses Yale Y-11 keyway.

Standard Pack: 6/box

U-9947



U-10665



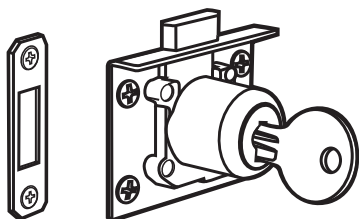
U-10665 (Brass plated)

Drawer and Cabinet Lock

Contents: 1 lock; 1 keeper; 2 keys and installation screws.

Description: Drawer and cabinet lock; self latching, with keeper; brass plated finish, fits up to a 7/8" in. thick panel; uses Chicago keyway, ILCO (1041T).

Standard Pack: 6/box



U-10666

U-10666 (Brass plated)

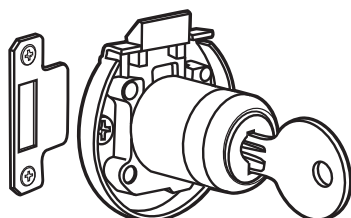
Drawer and Cabinet Lock

Contents: 1 lock; 1 keeper; 2 keys and installation screws.

Description: Drawer and cabinet lock with keeper; brass plated finish, fits up to a 7/8" in. thick panel; uses Chicago keyway, ILCO (1041T).

Standard Pack: 6/box

U-10667



U-10667 (Brass plated)

Drawer and Cabinet Lock

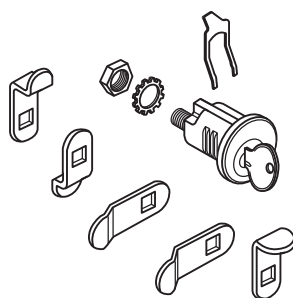
Contents: 1 lock; 1 keeper; 2 keys and installation screws.

Description: Drawer and cabinet lock; self latching, with keeper; brass plated finish, fits up to a 1" in. thick panel; uses Chicago keyway, ILCO (1041T).

Standard Pack: 6/box



S-4140
U-9940



S-4140 (Nickel plated finish)

U-9940 (Brass finish)

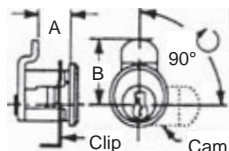
Mail Box Lock

Contents: 1- 5 pin cylinder; 1 clip; 5 cams and 2 keys.

Description: Multi-purpose lock; key will not remove in unlocked position; uses ILCO 1003M keyway.

Replaces	Dimensions		Turn To Open	Locked Position
	A	B		
American Device	7/16"	1-7/16"	90° CCW	Left
Florence	11/32"	15/16"	90° CCW	Up
Miami-Carey	5/16"	13/16"	90° CCW	Up
Bommer	7/8"	1-7/32"	90° CCW	Down
Auth	9/32"	1-3/32"	90° CCW	Left

Standard Pack: 6/box



Drawer & Cabinet Lock (Carded)

Contents: 1 lock; 3 cams; 1 trim collar; 1 spur washer; 2 rotation washers; 1 lock nut and 2 keys.

Description: Stainless steel face; plated diecast housing and steel cams can be mounted to metal or wood door/drawer from 1/2" to 1" thick; **keyed locking** for maximum security; uses Yale Y-11 keyway; packages marked with key number.

Standard Pack: 6/box

Part No.	Finish	Max. Door Thickness	Cylinder Length	Keyed Alike
U-9942	Brass	5/16"	5/8"	No
U-9942KA	Brass	5/16"	5/8"	Yes
U-9944	Brass	9/16"	7/8"	No
U-9944KA	Brass	9/16"	7/8"	Yes
U-9946	Brass	13/16"	1-1/8"	No
U-9946KA	Brass	13/16"	1-1/8"	Yes
U-9953	Brass	1"	1-3/8"	No
U-9953KA	Brass	1"	1-3/8"	Yes
<hr/>				
U-9941	Chrome	5/16"	5/8"	No
U-9941KA	Chrome	5/16"	5/8"	Yes
U-9943	Chrome	9/16"	7/8"	No
U-9943KA	Chrome	9/16"	7/8"	Yes
U-9945	Chrome	13/16"	1-1/8"	No
U-9945KA	Chrome	13/16"	1-1/8"	Yes
U-9950	Chrome	1"	1-3/8"	No
U-9950KA	Chrome	1"	1-3/8"	Yes
<hr/>				
U-11088	Bronze	13/16"	1-1/8"	No
U-11088KA	Bronze	13/16"	1-1/8"	Yes
U-11089	Bronze	1"	1-3/8"	No
U-11089KA	Bronze	1"	1-3/8"	Yes

Drawer & Cabinet Lock (Keyed alike - 20 pieces per box)

Contents: 1 lock; 3 cams; 1 trim collar; 1 spur washer; 2 rotation washers; 1 lock nut and 2 keys.

Description: Stainless steel face; plated diecast housing and steel cams can be mounted to metal or wood door/drawer from 1/2" to 1" thick; **keyed locking** for maximum security; uses Yale Y-11 keyway.

Part No.	Finish	Max. Door Thickness	Cylinder Length
CCEP-9942KA	Brass	5/16"	5/8"
CCEP-9944KA	Brass	9/16"	7/8"
CCEP-9946KA	Brass	13/16"	1-1/8"
CCEP-9953KA	Brass	1"	1-3/8"
<hr/>			
CCEP-9941KA	Chrome	5/16"	5/8"
CCEP-9943KA	Chrome	9/16"	7/8"
CCEP-9945KA	Chrome	13/16"	1-1/8"
CCEP-9950KA	Chrome	1"	1-3/8"

U-10881 (Brass plated finish)

U-10882 (Satin nickel finish)

U-10883 (Classic bronze finish)

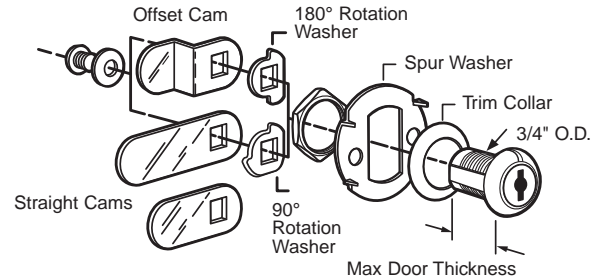
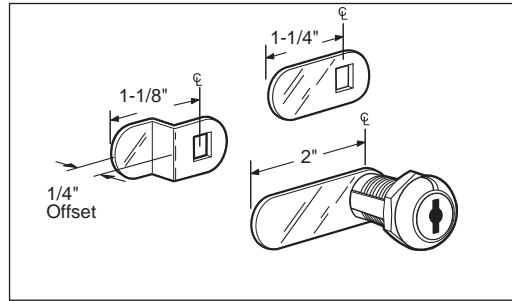
Cabinet Door Elbow Catch

Contents: 1 catch; 1 keeper and installation screws.

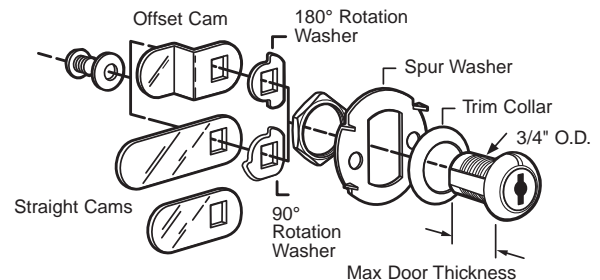
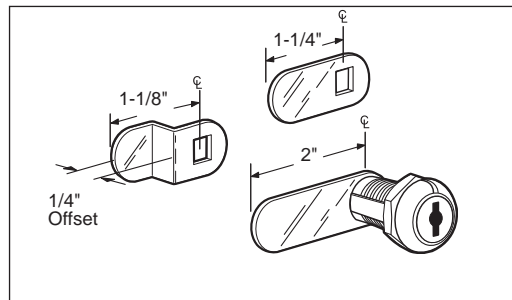
Description: Cast aluminum; includes keeper; used on double door cabinets on fixed side door.

Standard Pack: 6/box

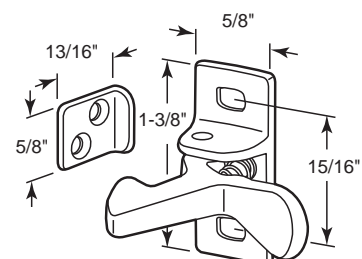
Cam Dimensions:



Cam Dimensions:

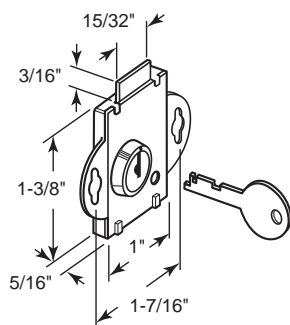


U-10881
U-10882
U-10883



▲ Call For Availability

S-4048



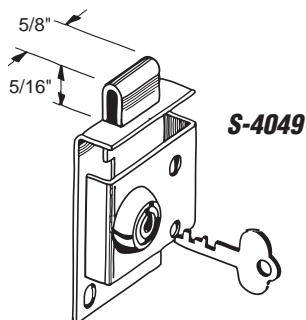
S-4048 (1/4" bolt)

Deadbolt Lock

Contents: 1 lock with screws.

Description: Brass plated steel locks; key cylinder is offset from center; standard deadbolt application.

Standard Pack: 6/box



S-4049

S-4049 (5/16" bolt)

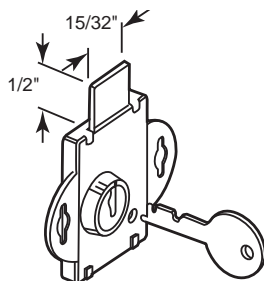
Deadbolt Lock

Contents: 1 lock with screws.

Description: Brass plated steel locks; key cylinder is offset from center; standard deadbolt application.

Standard Pack: 6/box

S-4086



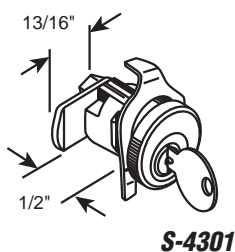
S-4086 (1/2" bolt)

Deadbolt Lock

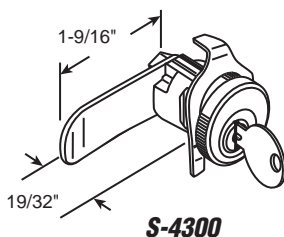
Contents: 1 lock with screws.

Description: Brass plated steel locks; key cylinder is offset from center; standard deadbolt application.

Standard Pack: 6/box



S-4301



S-4300

S-4300 (Cutler-Federal)

S-4301 (Florence)

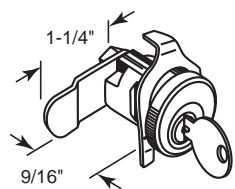
S-4302 (Auth Electric)

S-4303 (Bommer)

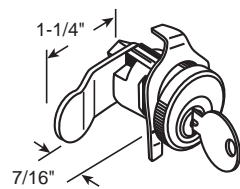
5-Pin Tumbler Locks (With dust covers)

Contents: 1 lock assembly with 2 keys.

Description: Diecast nickel plated face and cover; brass pins; zinc plated steel cam; spring steel locking clip; replaces original equipment manufacturer's product; dust cover protects internal pins and springs from dust and moisture in exposed exterior conditions.



S-4303

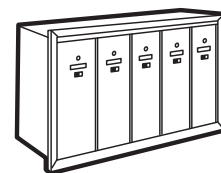


S-4302

▲ Call For Availability

Mailbox Locks

Part Number	Replacement For This Manufacturer	Finish	Direction of Turn To Open*	Locked Cam Position	Keyway
S-4051	Dura-Steel	Zinc	90° CW	Left	XL
S-4053	Dura-Steel	Zinc	90° CW	Left	XL
S-4054	Jensen General	Brass	90° CCW	Left	XL
S-4055	Permabilt	Brass	90° CCW	Left	XL
S-4125	Bommer	Nickel	90° CCW	Left	Hudson
S-4126	Bommer	Nickel	90° CCW	Up	Hudson
S-4127	Bommer	Nickel	90° CCW	Down	Hudson
S-4128	Auth Electric	Nickel	90° CCW	Left	Hudson
S-4129	American Device	Nickel	90° CCW	Left	Hudson
S-4130	Florence	Nickel	90° CW	Up	Hudson
S-4131	S.H. Couch	Nickel	90° CW	Up	Hudson
S-4132	Nutone	Nickel	90° CCW	Left	Hudson
S-4133	Cutler	Nickel	90° CCW	Left	Hudson
S-4134	Miami Carey	Nickel	90° CCW	Up	Hudson
S-4136	Dura-Steel	Nickel	90° CW	Down	Hudson
S-4137	Jensen General	Nickel	90° CCW	Left	Hudson
S-4138	Bommer Hook	Nickel	90° CCW	Left	Hudson
S-4297	Bommer	Nickel	90° CCW	Left	Hudson
S-4299	Cutler Federal	Nickel	90° CCW	Left	Hudson
S-4499	Florence	Nickel	90° CCW	Up	Hudson
S-4310	Bommer	Nickel	90° CCW	Left	National
S-4311	Bommer	Nickel	90° CCW	Up	National
S-4312	Bommer	Nickel	90° CCW	Down	National
S-4313	Auth Electric	Nickel	90° CCW	Left	XL
S-4314	American Device	Nickel	90° CCW	Left	XL
S-4315	Florence	Nickel	90° CW	Up	National
S-4316	S.H. Couch	Nickel	90° CW	Up	National
S-4317	Nutone	Nickel	90° CCW	Left	XL
S-4318	Cutler	Nickel	90° CCW	Left	National
S-4319	Miami	Nickel	90° CCW	Up	National
S-4322	Bommer	Nickel	90° CCW	Left	National



Apartment-Type Units

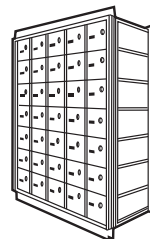
* CCW-Counter Clockwise CW-Clockwise

Mail Box Lock

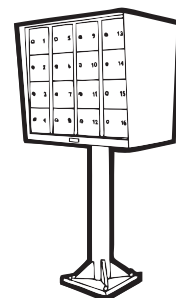
Contents: 1 cylinder; 1 clip; 1 cam and 2 keys.

Description: Diecast cylinder with plated face; 5-pin tumbler; replaces original equipment manufacturers product; key will not remove in unlocked position; keyways: XL-1, ILCO 1180S (XL7); Hudson, ILCO 1003M; National, ILCO 51064A (NA14).

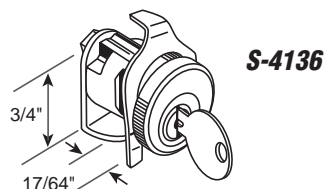
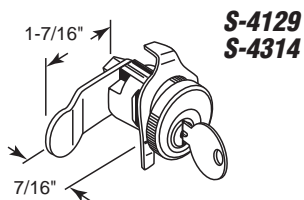
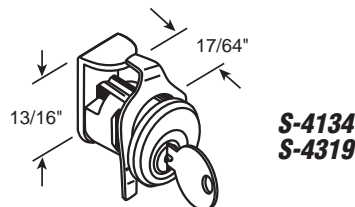
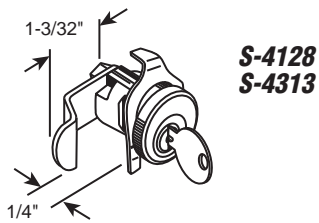
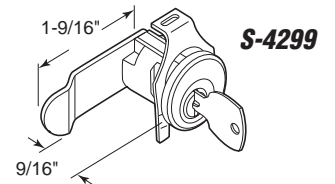
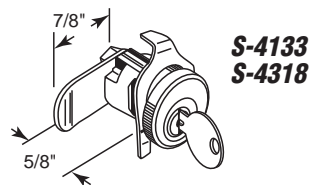
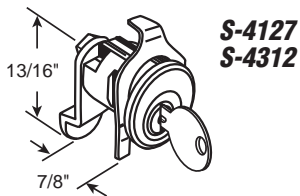
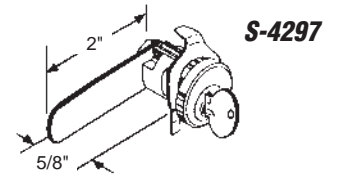
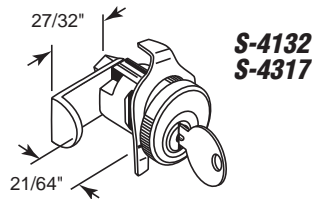
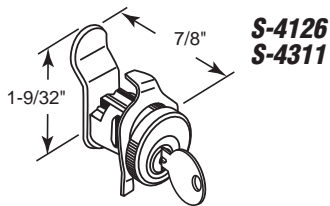
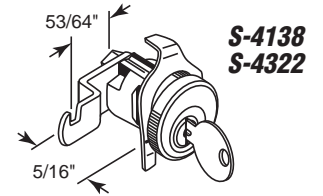
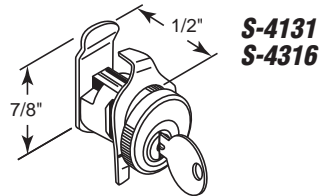
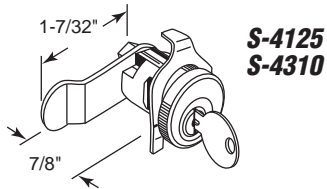
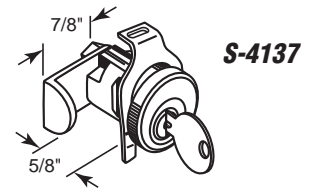
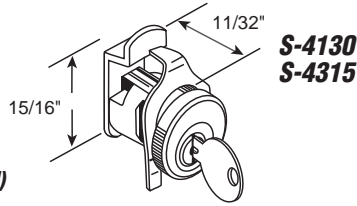
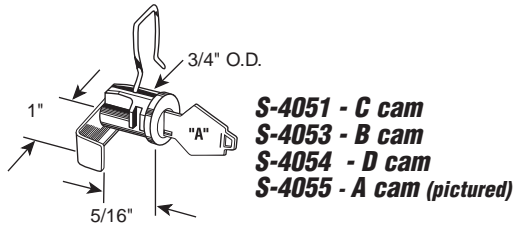
Standard Pack: 6/box



Commercial Multi-Units



Cluster-Type Units



S-4634 (Brass finish)

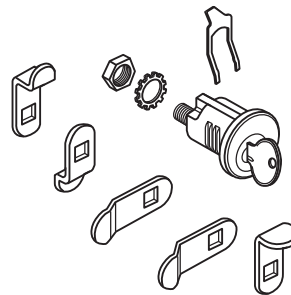
Mail Box Lock

Contents: 1-5 pin cylinder; 1 clip; 5 cams and 2 keys.

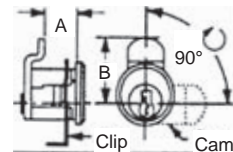
Description: Multi-purpose lock; key will not remove in unlocked position; uses Hudson keyway, ILCO 1003M.

Replaces	Dimensions		Turn To Open	Locked Position
	A	B		
American Device	7/16"	1-7/16"	90° CCW	Left
Florence	11/32"	15/16"	90° CCW	Up
Miami-Carey	5/16"	13/16"	90° CCW	Up
Bommer	7/8"	1-7/32"	90° CCW	Down
Auth	9/32"	1-3/32"	90° CCW	Left

Standard Pack: 6/box



S-4634



S-4648 (Brass plated)

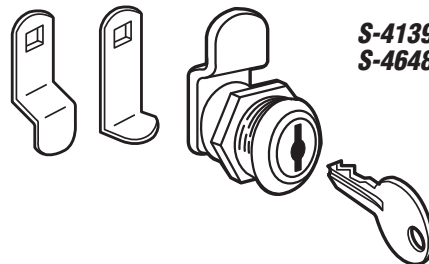
S-4139 (Chrome plated)

Mail Box Lock

Contents: 1 lock assembly with 2 keys; 3 cams.

Description: Diecast nickel plated face and cover; brass pins; zinc plated steel cam; hex nut threaded cylinder; key will not remove in unlocked position; uses Hudson keyway, ILCO 1098 (98X).

Standard Pack: 6/box



S-4139
S-4648

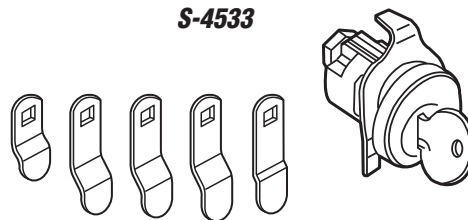
S-4533 (Nickel plated - with dust cover)

5-Pin Tumbler Lock

Contents: 1 lock assembly with 2 keys; 5 cams.

Description: Diecast face and cover; brass pins; zinc plated steel cam; spring steel locking clip; dust cover protects internal pins and springs from dust and moisture in exposed exterior conditions; key will not remove in unlocked position; uses Hudson keyway, ILCO 1003M.

Standard Pack: 6/box



S-4533

S-4530 (XL keyway)

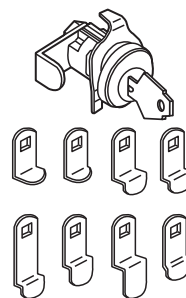
S-4531 (National keyway)

Mail Box Lock

Contents: 1-5 pin cylinder; 1 clip; 9 cams and 2 keys.

Description: Diecast cylinder with plated face; key will not remove in unlocked position; replaces original equipment manufacturers product.

Standard Pack: 6/box



S-4530
S-4531

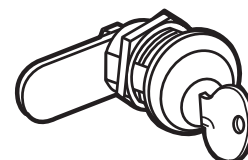
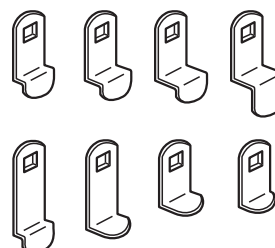
S-4532 (Hudson keyway)

Mail Box Lock

Contents: 1-5 pin cylinder; 1 clip; 9 cams and 2 keys.

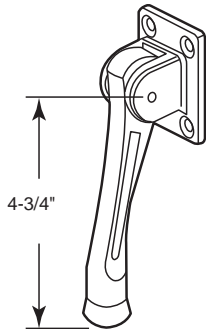
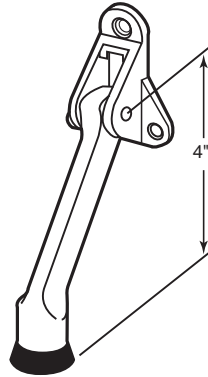
Description: Diecast cylinder with chrome plated face; replaces original equipment manufacturers product; hex nut threaded cylinder; key will not remove in unlocked position; uses Hudson keyway, ILCO 1003M.

Standard Pack: 6/box



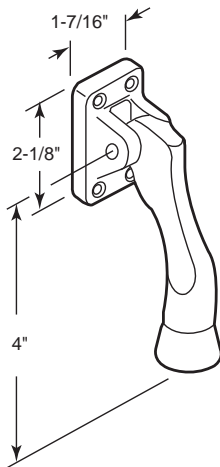
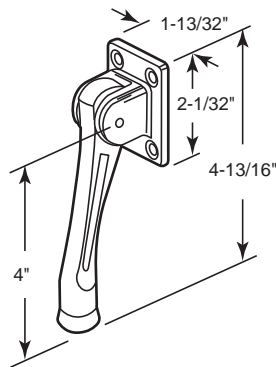
S-4532

J-4523
J-4533
J-4543

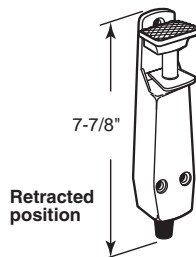


J-4571
J-4572
J-4671
J-4849
J-4899

J-4537
J-4538
J-4539

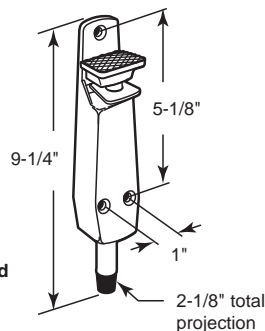


J-4551
J-4552
J-4899



Retracted position

J-4594
J-4595



Extended position

J-4543 (Brass finish)
J-4523 (Chrome finish)
J-4533 (Bronze finish)

Holder

Contents: 1 holder; 1 set of installation screws.

Description: Zinc diecast holder with rubber tip; spring loaded to hold in "Up" position; good for commercial or residential application.

J-4572 (Polished brass)
J-4671 (Chrome plated)
J-4571 (Brushed chrome)
J-4849 (Nickel plated)
J-4899 (Oil rubbed bronze)

Holder

Contents: 1 holder; 1 set of installation screws.

Description: Heavy cast brass holder; 4 hole mounting; rubber tip. Meets ANSI standards for commercial use.

J-4539 (Brass finish)
J-4537 (Chrome)
J-4538 (Bronze finish)

Holder

Contents: 1 holder; 1 set of installation screws.

Description: Heavy duty diecast stop with rubber tip; 4 hole mounting; for commercial and residential application.

J-4551 (Aluminum finish)
J-4552 (Bronze finish)
J-4899 (Classic bronze finish)

Holder

Contents: 1 holder; 1 set of installation screws.

Description: Heavy cast iron, spring loaded holder with 4-hole mounting; rubber tip; for commercial use.

J-4594 (Brass finish)
J-4595 (Aluminum)

Door Holder (Plunger style)

Contents: 1 holder; 1 set of installation screws.

Description: Plated or painted diecast, spring loaded, door holder; large rubber foot treadle for easy step-on application; toe operated release mechanism

Commercial Wall Stops

J-4598 (Brass finish)

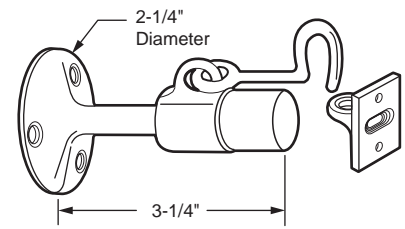
J-4599 (Dull chrome)

Wall Stop with Holder

Contents: 1 hook mounted stop; 1 holder; 1 machine bolt with anchor; 1 set of installation fasteners.

Description: **Solid brass** stop with **rubber** bumper has built in hook to hold door in open position.

J-4598
J-4599



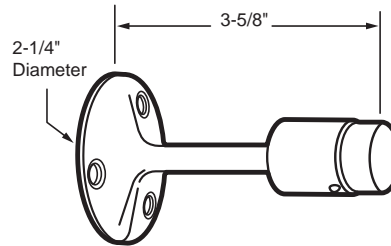
J-4596 (Polished brass)

J-4597 (Brushed chrome)

Wall Stop

Contents: 1 stop; 1 lag bolt; 1 set of installation fasteners.

Description: **Cast brass** wall mounted stop with **rubber** bumper to cushion door.



J-4596
J-4597

J-4540 (Brushed stainless)

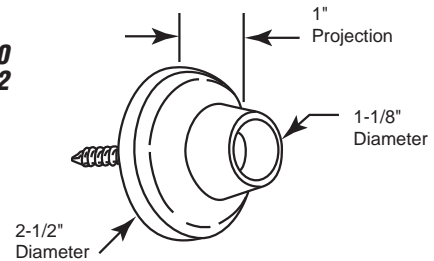
J-4542 (Polished brass)

Wall Stop

Contents: 1 Stop assembly; 1 anchor and installation screw.

Description: **Steel** retainer plate with **stamped stainless steel or brass cover** allows for concealed fastening; screw installs through retainer plate into wall anchor; **concave rubber** bumper.

J-4540
J-4542



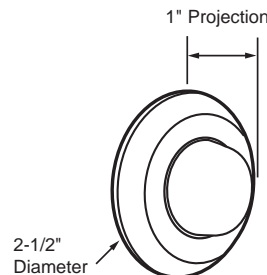
J-4550 (Polished brass)

J-4649 (Brushed stainless)

Wall Stop

Contents: 1 stop assembly; 1 anchor and installation screws.

Description: **Steel** retainer plate with **stamped brass or stainless steel cover** allows for concealed fastening; screw installs through steel retainer plate into wall anchor; **convex rubber** bumper.



J-4550
J-4649

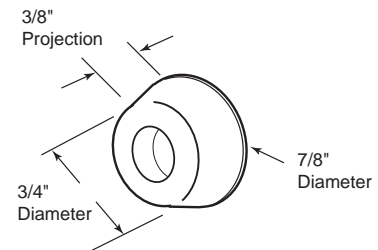
J-4713 (Clear polyurethane)

Wall Stop

Contents: 4 stops.

Description: 1" clear **polyurethane** stop, **self adhesive**, no tools required.

J-4713



J-4570 (Polished brass)

J-4647 (Brushed chrome)

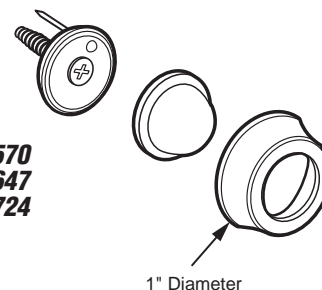
J-4724 (Polished chrome)

Wall Stop

Contents: 1 stop assembly; installation fasteners.

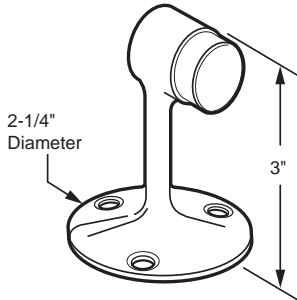
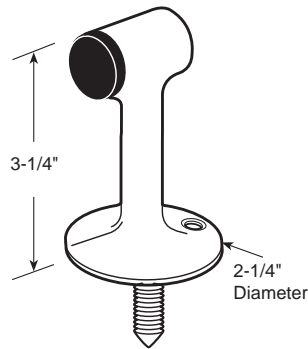
Description: **Solid cast brass or bronze**, **threaded collar and base**; **convex rubber** bumper; miniature size. Projection from Wall to rubber tip is 9/16".

J-4570
J-4647
J-4724



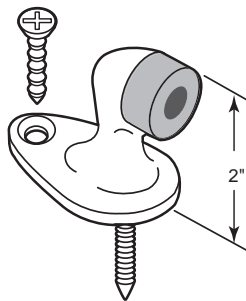
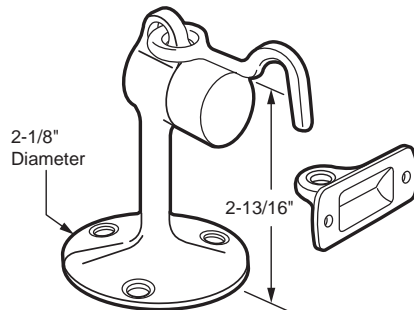
▲ Call For Availability

J-4547
J-4614
J-4847



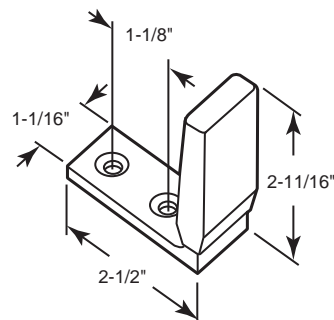
J-4600
J-4603

J-4601
J-4602



J-4573
J-4615

J-4592
J-4593



J-4614 (Polished brass)
J-4547 (Brushed chrome)
J-4847 (Satin nickel)

Floor Stop

Contents: 1 stop; 1 set of installation fasteners.

Description: Cast brass door stop with rubber bumper; mounts to floor. Meets ANSI standards.

J-4600 (Polished brass)
J-4603 (Brushed chrome)

Floor Stop

Contents: 1 stop; 1 set of installation fasteners.

Description: Solid brass stop with rubber bumper; uses 3 screws and 1 lag bolt for mounting.

J-4601 (Polished brass)
J-4602 (Brushed chrome)

Floor Stop with Holder

Contents: 1 hook mounted door stop; 1 holder; 1 anchor bolt with installation fasteners.

Description: Solid brass floor mount stop with rubber bumper; has built in hook to hold door in open position.

J-4615 (Polished brass)
J-4573 (Brushed chrome)

Floor Stop

Contents: 1 stop; 1 set of installation fasteners.

Description: Solid brass door stop with rubber bumper. 1 installation screw is concealed under base of bumper. Meets ANSI standards.

J-4592 (Brushed aluminum)
J-4593 (Bronze finish)

Floor Stop

Contents: 1 stop; 1 set of installation fasteners.

Description: Wrought steel with soft resilient rubber bumper, used on under cut doors up to 1-1/2".

Commercial Floor Stops

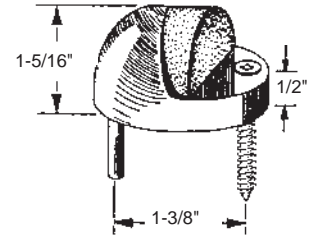
- J-4555** (Polished brass)
- J-4545** (Brushed chrome)
- J-4846** (Satin nickel)
- J-4791** (Classic bronze)

Floor Stop (Dome type)

Contents: 1 stop; 1 set of installation fasteners.

Description: Cast brass door stop with rubber bumper; for residential or commercial use; mounts to floor. Meets ANSI standards.

- J-4545**
- J-4555**
- J-4791**
- J-4846**

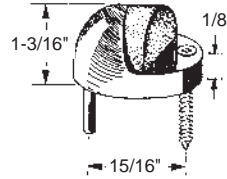


- J-4554** (Polished brass)
- J-4665** (Antique brass)
- J-4666** (Chrome)
- J-4544** (Brushed chrome)
- J-4845** (Satin nickel)
- J-4790** (Classic bronze)

Floor Stop (Dome type)

Contents: 1 stop; 1 set of installation fasteners.

Description: Cast brass door stop with rubber bumper; mounts to floor. Meets ANSI standards.



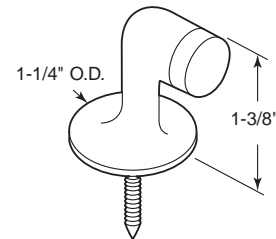
- J-4544**
- J-4554**
- J-4665**
- J-4666**
- J-4790**
- J-4845**

- J-5037** (Polished brass)
- J-5041** (Satin chrome)
- J-5042** (Classic bronze)

Floor Stop

Contents: 1 stop; 1 set of installation fasteners.

Description: Solid brass door stop with rubber bumper; mounts to floor. Meets ANSI standards.



- J-5037**
- J-5041**
- J-5042**

Pull Handles

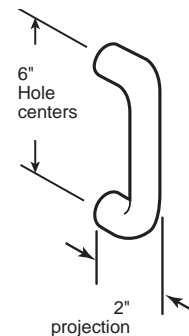
- J-4660** (Polished brass)
- J-4659** (Satin aluminum)
- J-4661** (Satin stainless steel)

Pull Handle (3/4" round)

Contents: 1 handle and fasteners.

Description: Non-ferrous base metals; brass pull has protective finish.

- J-4659**
- J-4660**
- J-4661**

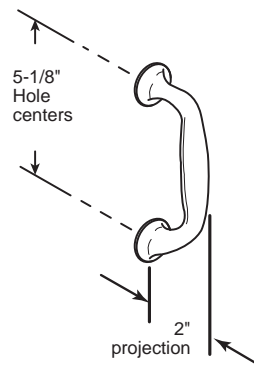


- J-4658** (Polished brass)
- J-4657** (Satin aluminum)

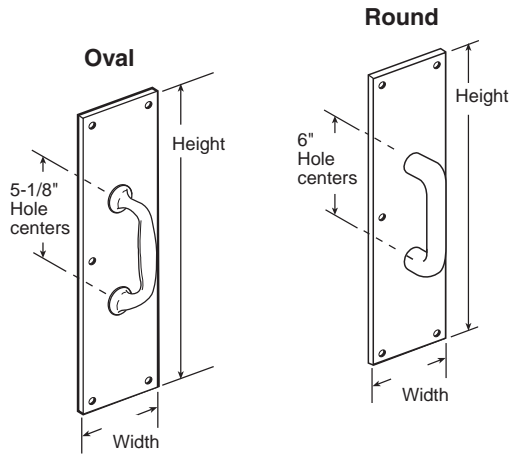
Pull Handle (Oval)

Contents: 1 handle and fasteners.

Description: Cast non-ferrous base metals; brass pull has protective finish.



- J-4657**
- J-4658**



Pull Plate

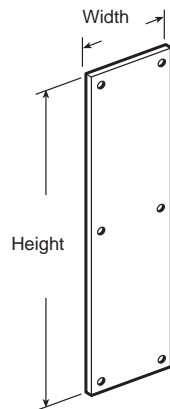
Contents: 1 pull plate assembly and installation screws.

<i>Finish</i>	<i>Size</i>	<i>Oval Handle</i>	<i>Round Handle</i>
Polished brass	3-1/2" x 15"	J-4903	J-4716
Clear anodized aluminum	3-1/2" x 15"	J-4902	J-4715
Satin stainless	3-1/2" x 15"	-	J-4717
Polished brass	4" x 16"	J-4578	J-4641
Clear anodized aluminum	4" x 16"	J-4579	J-4640
Satin stainless	4" x 16"	-	J-4643

Description: Non-ferrous base metal; removable **PVC protective coating** on most plates; **brass pulls** have protective finish; meets A.N.S.I. A156.6 specifications.

Push Plate

Contents: 1 push plate and installation screws.



<i>Finish</i>	<i>Size</i>	<i>Part Number</i>
Polished brass	3-1/2" x 15"	J-4719
Clear anodized aluminum	3-1/2" x 15"	J-4718
Satin stainless	3-1/2" x 15"	J-4720
Brite brass aluminum	4" x 16"	J-4630
Polished brass	4" x 16"	J-4580
Clear anodized aluminum	4" x 16"	J-4581
Satin stainless	4" x 16"	J-4626
Bronze painted aluminum	4" x 16"	J-4686
Brushed satin nickel aluminum	4" x 16"	J-4840
Brite brass aluminum	8" x 16"	J-4634
Polished brass	8" x 16"	J-4637
Clear anodized aluminum	8" x 16"	J-4633
Satin stainless	8" x 16"	J-4636

Description: Non-ferrous base metals; removable **PVC protective coating** on most plates; **bronze painted plates** are **powder coated**; meets A.N.S.I. A156.6 specifications.

Commercial Kick Plates

Kick Plate

Contents: 1 kick plate and installation screws.

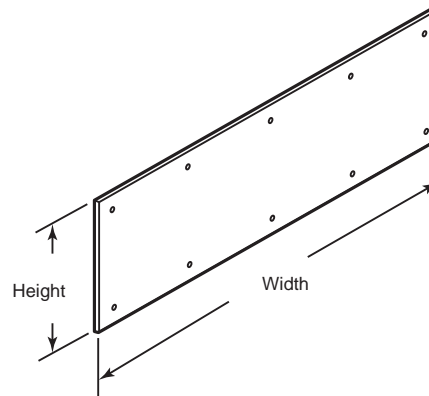
<i>Finish</i>	<i>Size</i>	<i>Part Number</i>
Brite brass aluminum	6" x 34"	J-4703*
Polished brass	6" x 34"	J-4704*
Clear anodized aluminum	6" x 34"	J-4702*
Satin stainless	6" x 34"	J-4708*
Brushed satin nickel aluminum	6" x 34"	J-4837*
Clear anodized aluminum	6" x 36"	J-4753*
Brite brass aluminum	8" x 34"	J-4618*
Polished brass	8" x 34"	J-4617*
Clear anodized aluminum	8" x 34"	J-4616*
Satin stainless	8" x 34"	J-4619**
Bronze painted aluminum	8" x 34"	J-4691*
Brushed satin nickel aluminum	8" x 34"	J-4838*
Clear anodized aluminum	8" x 36"	J-4754*
Brite brass aluminum	10" x 34"	J-4622*
Polished brass	10" x 34"	J-4621*
Clear anodized aluminum	10" x 34"	J-4620*
Satin stainless	10" x 34"	J-4623**
Bronze painted aluminum	10" x 34"	J-4693*
Brushed satin nickel aluminum	10" x 34"	J-4839*

Description: Non-ferrous base metals; removable PVC protective coating on most plates; bronze painted plates are powder coated; 34" width gives full door coverage on 36" wide doors allowing clearance for door stop.

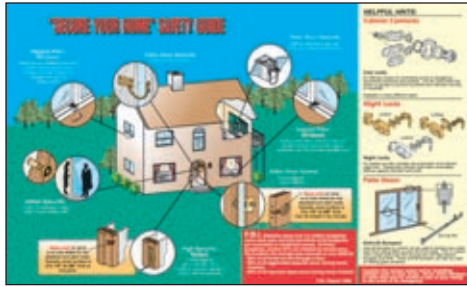
Special sizes available on request:

* Largest size available: 24" x 48"

** Largest size available: 48" x 48"



ZZ-246



Inside



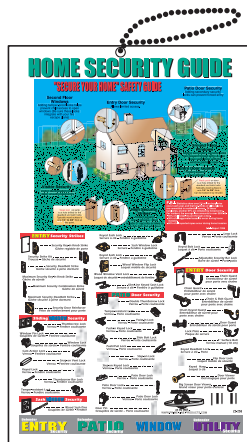
Outside

ZZ-246 (20 Pack)

Home Security Brochure

- General security checklist for home owners.
- Lists vulnerable points in the standard home and suggests ways to improve security.
- ZZ-246 Rack

Display Rack,
Pegboard Mounted



Back



Front

ZZ-256

ZZ-256

Home Security Selection Guide

- Can be hung next to any security product display.
- Lists vulnerable points in the standard home.
- Illustrates a variety of security products and their application.
- Bead chain included.

ZZ-116



ZZ-116

Defender Sign (46" wide x 12" high)

- All purpose security sign, ideal for 48" display.
- Describes all Defender Security Categories.

Keyed Item Information

Most All Items Are Available Keyed Alike By Special Order

Part Number	Keyed Alike	Keyed Different	Key Blank	Description
CCEP-9941KA	✓		Yale Y-11	20 pieces per box
CCEP-9942KA	✓		Yale Y-11	20 pieces per box
CCEP-9943KA	✓		Yale Y-11	20 pieces per box
CCEP-9944KA	✓		Yale Y-11	20 pieces per box
CCEP-9945KA	✓		Yale Y-11	20 pieces per box
CCEP-9946KA	✓		Yale Y-11	20 pieces per box
CCEP-9950KA	✓		Yale Y-11	20 pieces per box
CCEP-9953KA	✓		Yale Y-11	20 pieces per box
E-2293			Contact Prime-Line	Skeleton Key
E-2294			Contact Prime-Line	Skeleton Key
E-2311			Contact Prime-Line	Skeleton Key
E-2330			Contact Prime-Line	Skeleton Key
E-2437			Contact Prime-Line	Skeleton Key
E-2478			Contact Prime-Line	Skeleton Key
E-2494			Contact Prime-Line	Skeleton Key
E-2495			Contact Prime-Line	Skeleton Key
E-2496			Contact Prime-Line	Skeleton Key
E-2497			Contact Prime-Line	Skeleton Key
S-4048			N/A	—
S-4049			N/A	—
S-4051		✓	ILCO 1180S (XL7)	XL-1 Keyway
S-4053		✓	ILCO 1180S (XL7)	XL-1 Keyway
S-4054		✓	ILCO 1180S (XL7)	XL-1 Keyway
S-4055		✓	ILCO 1180S (XL7)	XL-Keyway
S-4086			N/A	—
S-4125		✓	ILCO 1003M	Hudson Keyway
S-4126		✓	ILCO 1003M	Hudson Keyway
S-4127		✓	ILCO 1003M	Hudson Keyway
S-4128		✓	ILCO 1003M	Hudson Keyway
S-4129		✓	ILCO 1003M	Hudson Keyway
S-4130		✓	ILCO 1003M	Hudson Keyway
S-4131		✓	ILCO 1003M	Hudson Keyway
S-4132		✓	ILCO 1003M	Hudson Keyway
S-4133		✓	ILCO 1003M	Hudson Keyway
S-4134		✓	ILCO 1003M	Hudson Keyway
S-4136		✓	ILCO 1003M	Hudson Keyway
S-4137		✓	ILCO 1003M	Hudson Keyway
S-4138		✓	ILCO 1003M	Hudson Keyway
S-4139		✓	ILCO 1098 (98X)	Hudson Keyway
S-4140		✓	ILCO 1003M	Hudson Keyway
S-4297		✓	ILCO 1003M	Hudson Keyway
S-4180			ILCO 1041GA	Chicago Keyway
S-4299		✓	ILCO 1003M	Hudson Keyway
S-4300			ILCO 1003M	Hudson Keyway
S-4301			ILCO 1003M	Hudson Keyway
S-4302			ILCO 1003M	Hudson Keyway
S-4303			ILCO 1003M	Hudson Keyway
S-4310		✓	ILCO 51064A (NA14)	National Keyway
S-4311		✓	ILCO 51064A (NA14)	National Keyway
S-4312		✓	ILCO 51064A (NA14)	National Keyway
S-4313		✓	ILCO 1180S (XL7)	XL-1 Keyway
S-4314		✓	ILCO 1180S (XL7)	XL-1 Keyway
S-4315		✓	ILCO 51064A (NA14)	National Keyway
S-4316		✓	ILCO 51064A (NA14)	National Keyway
S-4317		✓	ILCO 1180S (XL7)	XL-1 Keyway
S-4318		✓	ILCO 51064A (NA14)	National Keyway
S-4319		✓	ILCO 51064A (NA14)	National Keyway

Part Number	Keyed Alike	Keyed Different	Key Blank	Description
S-4322		✓	ILCO 51064A (NA14)	National Keyway
S-4390		✓	ILCO 1098M	B1 Keyway
S-4499		✓	ILCO 1003M	Hudson Keyway
S-4530		✓	ILCO 1180S (XL7)	XL-1 Keyway
S-4531		✓	ILCO 51064A (NA14)	National Keyway
S-4532		✓	ILCO 1003M	Hudson Keyway
S-4533		✓	ILCO 1003M	Hudson Keyway
S-4634		✓	ILCO 1003M	Hudson Keyway
S-4648		✓	ILCO 1003M	Hudson Keyway
U-9838		✓	ILCO 1098M	B1 Keyway
U-9839		✓	ILCO 1098M	B1 Keyway
U-9861		✓	Yale Y-11	Yale Keyway
U-9863		✓	Yale Y-11	Yale Keyway
U-9870	✓		Contact Prime-Line	—
U-9871	✓		Contact Prime-Line	—
U-9872		✓	ILCO 1098M	B1 Keyway
U-9882		✓	ILCO 1098M	B1 Keyway
U-9883		✓	ILCO 1098M	B1 Keyway
U-9884		✓	ILCO 1098M	B1 Keyway
U-9885		✓	ILCO 1098M	B1 Keyway
U-9912		✓	ILCO 1098M	B1 Keyway
U-9914		✓	ILCO 1098M	B1 Keyway
U-9919		✓	ILCO 1098M	B1 Keyway
U-9927		✓	ILCO 1098M	B1 Keyway
U-9928		✓	ILCO 1098M	B1 Keyway
U-9932		✓	ILCO 1041T	Chicago Keyway
U-9933		✓	ILCO 1041T	Chicago Keyway
U-9940		✓	ILCO 1003M	Hudson Keyway
U-9941		✓	Yale Y-11	Yale Keyway
U-9942		✓	Yale Y-11	Yale Keyway
U-9943		✓	Yale Y-11	Yale Keyway
U-9944		✓	Yale Y-11	Yale Keyway
U-9945		✓	Yale Y-11	Yale Keyway
U-9946		✓	Yale Y-11	Yale Keyway
U-9947		✓	ILCO 1098M	B1 Keyway
U-9949		✓	ILCO 1000X	—
U-9950		✓	Yale Y-11	Yale Keyway
U-9951		✓	ILCO 1098M	B1 Keyway
U-9952		✓	ILCO 1098M	B1 Keyway
U-9953		✓	Yale Y-11	Yale Keyway
U-9956			KW-1	Kwikset Keyway
U-9965			KW-1	Kwikset Keyway
U-9966			ILCO SC-1	Schlage Keyway
U-9967			KW-1	Kwikset Keyway
U-9968			KW-1	Kwikset Keyway
U-9969			KW-1	Kwikset Keyway
U-9970			KW-1	Kwikset Keyway
U-9971			KW-1	Kwikset Keyway
U-9972			KW-1	Kwikset Keyway
U-9973			KW-1	Kwikset Keyway
U-9974			KW-1	Kwikset Keyway
U-9997		✓	ILCO 1098M	B1 Keyway
U-10530			SE1	Segal Keyway
U-10531			SE1	Segal Keyway
U-10665		✓	ILCO 1041T	Chicago Keyway
U-10666		✓	ILCO 1041T	Chicago Keyway
U-10667		✓	ILCO 1041T	Chicago Keyway

Part Number	Description	Page No.
Out Case		
CCEP-4348 (Aluminum finish)	Economy Lock	20
CCEP-4457 (White finish - 4/bag)	Economy Lock	20
CCEP-9140	Wall Shield	3
CCEP-9185	Wall Shield	3
CCEP-9186	Wall Shield	3
CCEP-9243	Wall Shield	3
CCEP-9244	Wall Shield	3
CCEP-9267	Wall Shield	3
CCEP-9268	Wall Shield	3
CCEP-9270	Wall Shield	3
CCEP-9271	Wall Shield	3
CCEP-9275	Wall Shield	3
CCEP-9941 (Chrome)	Drawer & Cabinet Lock	58
CCEP-9942 (Brass)	Drawer & Cabinet Lock	58
CCEP-9943 (Chrome)	Drawer & Cabinet Lock	58
CCEP-9944 (Brass)	Drawer & Cabinet Lock	58
CCEP-9945 (Chrome)	Drawer & Cabinet Lock	58
CCEP-9946 (Brass)	Drawer & Cabinet Lock	58
CCEP-9950 (Chrome)	Drawer & Cabinet Lock	58
CCEP-9953 (Brass)	Drawer & Cabinet Lock	58

E

E-2232 (Brass plated finish)	Standard Latch Strike	4
E-2233 (Antique brass plated finish)	Standard Latch Strike	4
E-2234 (Chrome plated finish)	Standard Latch Strike	4
E-2235 (Brass plated finish)	Security Deadbolt Strike	7
E-2279 (Glass-brass plated base)	Knobs	38
E-2280 (Brass plated - steel)	Knobs	38
E-2281 (Brass finish)	Passage Door Latch	43
E-2282 (2-1/4"-brass)	Door Knob Rosettes	42
E-2284 (Brass plated finish)	Standard "T" Strike	5
E-2285 (Antique brass plated finish)	Security Deadbolt Strike	7
E-2292 (Chrome plated finish)	Security Deadbolt Strike	7
E-2293 (Brass finish)	Mortise Lock Set (Keyed)	40
E-2294	Mortise Lock Assembly (Keyed)	42
E-2295 (Brass finish)	Door Escutcheon Plates	43
E-2296 (Solid brass)	Door Knob Rosettes	42
E-2297 (Brass) Knobs		38
E-2299 (Stainless steel finish)	Standard "T" Strike	5
E-2301 (Stainless steel finish)	Standard Latch Strike	4
E-2302 (Brass plated finish)	Security Deadbolt Strikes	7
E-2303 (Antique brass plated finish)	Security Deadbolt Strikes	7
E-2304 (Chrome plated finish)	Security Deadbolt Strikes	7
E-2307 (Brass plated finish)	Standard Latch Strike	4
E-2308 (Antique brass plated finish)	Standard Latch Strike	4
E-2309 (Chrome plated finish)	Standard Latch Strike	4
E-2311 (Brass finish - glass handles)	Mortise Lock Set (Keyed)	40
E-2317 (Glass knob with brass rosette)	Passage Door Latch Set	38
E-2319 (White painted - steel)	Knobs	38
E-2320 (2-1/4"-white)	Door Knob Rosettes	42
E-2324 (Brass plated finish)	Continuous Lip Strike	8
E-2325 (Chrome plated finish)	Continuous Lip Strike	8
E-2328 (Glass-chrome plated base)	Knobs	38
E-2330 (Satin Nickel finish)	Mortise Lock Set (Keyed)	40
E-2332 (Brass plated finish)	Standard Latch Strike	4
E-2340 (Classic bronze finish)	Continuous Lip Strike	8
E-2341 (Antique brass plated finish)	Continuous Lip Strike	8
E-2342 (Antique nickel plated finish)	Continuous Lip Strike	8
E-2345 (Solid brass - 3-1/2" lip)	Extended Lip Strike	4
E-2346 (Brass finish)	Door Escutcheon Plates	43
E-2347 (Brass plated finish - 2-1/2" lip)	Extended Lip Strike	4
E-2349 (Brass plated finish)	Standard Latch Strike	4
E-2400 Kwikset	Re-Key A Lock, 5-pin	2
E-2401 Kwikset "Titan"	Re-Key A Lock, 6-pin	2
E-2402 Schlage "C"	Re-Key A Lock, 5-pin	2
E-2403 Schlage	Re-Key A Lock, 6-pin	2
E-2404 Weiser	Re-Key A Lock, 5-pin	2
E-2430 (Antique brass plated finish)	Standard Latch Strike	4
E-2431 (Satin nickel finish)	Standard Latch Strike	4

Part Number	Description	Page No.
E-2432 (Brass plated finish)	Maximum Security Deadbolt Strike	9
E-2433 (Chrome plated finish)	Standard "T" Strike (Meets ANSI A156.2)	5
E-2434 (Brass finish)	Spindles	42
E-2435 (Brass plated finish)	Security Latch Strike	6
E-2436 (Brass plated finish)	Security Latch Strike	5
E-2437 (Brass finish)	Vertical Trim Lock Set (Surface mount)	40
E-2439 (2-1/4" - chrome)	Door Knob Rosettes	42
E-2440 (Chrome finish)	Passage Door Latch	43
E-2456 (Satin nickel finish)	Standard Latch Strike	4
E-2457 (Satin nickel finish)	Standard Latch Strike	4
E-2458 (Brass plated finish - 3" lip)	Extended Lip Strike	4
E-2459 (Brass finish)	Spindles	42
E-2461 (Nickel plated finish)	Security Deadbolt Strike	7
E-2462 (Classic bronze finish)	Security Deadbolt Strike	7
E-2467 (Brass plated finish)	Standard "T" Strike	5
E-2478 (Brass finish)	Horizontal Trim Lock Set	40
E-2479 (Brass plated finish)	Security Deadbolt Strike	7
E-2480 (Antique Brass plated finish)	Security Deadbolt Strike	7
E-2482 (Classic bronze finish)	Security Deadbolt Strike	7
E-2483 (Satin nickel plated finish)	Security Deadbolt Strike	7
E-2495 (Classic bronze finish)	Mortise Lock Set (Keyed)	40
E-2496 (Satin nickel finish - glass handles)	Mortise Lock Set (Keyed)	40
E-2497 (Classic bronze finish - glass handles)	Mortise Lock Set (Keyed)	40
E-2498 (Satin nickel finish)	Knobs	38
E-2499 (Classic bronze finish)	Knobs	38
E-2516 (Classic bronze plated finish)	Standard Latch Strike	4
E-2517 (Classic bronze plated finish)	Standard Latch Strike	4
E-2536 (Satin nickel finish base)	Knobs	38
E-2537 (Classic bronze finish base)	Knobs	38
E-2541 (Brass plated finish)	Door Knob Rosettes (2-1/2")	42
E-2542 (Satin nickel finish)	Door Knob Rosettes (2-1/2")	42
E-2543 (Classic bronze finish)	Door Knob Rosettes (2-1/2")	42
E-2548 (Classic bronze plated finish)	Standard Latch Strike	4
E-2562 (Segal keyway)	Cylinder Lock (Brass finish)	43
E-2564 (White finish)	Door Knob Rosettes (2-1/2")	42
E-2568 (Classic bronze finish)	Standard "T" Strike	5
E-2582 (Brass plated finish)	Security Deadbolt Strike	7
E-2583 (Satin nickel finish)	Security Deadbolt Strike	7
E-2623 (Brass finish)	Latch Set	39
E-2625 (Satin nickel finish)	Latch Set	39
E-2631 (Brass finish)	Latch Set	39
E-2633 (Satin nickel finish)	Latch Set	39
E-2642 (Brass finish)	Knob	39
E-2643 (Satin nickel finish)	Knob	39
E-2646 (Brass finish)	Knob	39
E-2647 (Satin nickel finish)	Knob	39
E-2659 (Brass finish)	Latch Set	39
E-2660 (Brass finish)	Lever	39
E-2662 (Satin nickel finish)	Latch Set	39
E-2663 (Satin nickel finish)	Lever	39
E-2687 (Stainless steel finish)	Security Deadbolt Strike	7
E-2688 (Stainless steel finish)	Security Deadbolt Strike	7
E-2692	Mortise Lock Assembly (Keyed)	42
EP-2236 (Brass plated finish)	Security Latch Strike (Poly-bagged)	5
EP-2291 (Antique brass plated finish)	Security Latch Strike (Poly-bagged)	5
EP-2298 (Bronze plated finish)	Security Latch Strike (Poly-bagged)	5
EP-9505 (Painted gray - 7")	Latch Shield (Poly-bagged)	16
EP-9506 (Painted bronze - 7")	Latch Shield (Poly-bagged)	16
EP-9507 (Painted gray - 12")	Latch Shield (Poly-bagged)	16
EP-9520 (1" wide - Painted gray)	Door Edge Filler Plate	18

J

J-4523 (Chrome finish)	Holder	63
J-4533 (Bronze finish)	Holder	63
J-4537 (Chrome)	Holder	63
J-4538 (Bronze finish)	Holder	63
J-4539 (Brass finish)	Holder	63
J-4540 (Brushed stainless)	Wall Stop	64
J-4542 (Polished brass)	Wall Stop	64
J-4543 (Brass finish)	Holder	63

Part Number	Description	Page No.	Part Number	Description	Page No.
J-4544 (Brushed chrome)	Floor Stop	66	J-4720	Push Plate	67
J-4545 (Brushed chrome)	Floor Stop	66	J-4724 (Polished chrome)	Wall Stop	64
J-4547 (Brushed chrome)	Floor Stop	65	J-4753	Kick Plate	68
J-4550 (Polished brass)	Wall Stop	64	J-4754	Kick Plate	68
J-4551 (Aluminum finish)	Holder	63	J-4790 (Classic bronze)	Floor Stop	66
J-4552 (Bronze finish)	Holder	63	J-4791 (Classic bronze)	Floor Stop	66
J-4554 (Polished brass)	Floor Stop	66	J-4837	Kick Plate	68
J-4555 (Polished brass)	Floor Stop	66	J-4838	Kick Plate	68
J-4570 (Polished brass)	Wall Stop	64	J-4839	Kick Plate	68
J-4571 (Brushed chrome)	Holder	63	J-4840	Push Plate	67
J-4572 (Polished brass)	Holder	63	J-4845 (Satin nickel)	Floor Stop	66
J-4573 (Brushed chrome)	Floor Stop	65	J-4846 (Satin nickel)	Floor Stop	66
J-4578	Pull Plate	67	J-4847 (Satin nickel)	Floor Stop	65
J-4579	Pull Plate	67	J-4849 (Nickel plated)	Holder	63
J-4580	Push Plate	67	J-4899 (Classic bronze finish)	Holder	63
J-4581	Push Plate	67	J-4899 (Oil rubbed bronze)	Holder	63
J-4592 (Brushed aluminum)	Floor Stop	65	J-4902	Pull Plate	67
J-4593 (Bronze finish)	Floor Stop	65	J-4903	Pull Plate	67
J-4594 (Brass finish)	Holder	63	J-5037 (Polished brass)	Floor Stop	66
J-4595 (Aluminum)	Holder	63	J-5041 (Satin chrome)	Floor Stop	66
J-4596 (Polished brass)	Wall Stop	64	J-5042 (Classic bronze)	Floor Stop	66
J-4597 (Brushed chrome)	Wall Stop	64			
J-4598 (Brass finish)	Wall Stop with Holder	64	S		
J-4599 (Dull chrome)	Wall Stop with Holder	64	S-4012	Pop-Up Lock	24
J-4600 (Polished brass)	Floor Stop	65	S-4013	Security Bar Lock	30
J-4601 (Polished brass)	Floor Stop with Holder	65	S-4048 (1/4" bolt)	Deadbolt Lock	59
J-4602 (Brushed chrome)	Floor Stop with Holder	65	S-4049 (5/16" bolt)	Deadbolt Lock	59
J-4603 (Brushed chrome)	Floor Stop	65	S-4051 (Zinc)	Mail Box Lock	60
J-4614 (Polished brass)	Floor Stop	65	S-4053 (Zinc)	Mail Box Lock	60
J-4615 (Polished brass)	Floor Stop	65	S-4054 (Brass)	Mail Box Lock	60
J-4616	Kick Plate	68	S-4055 Brass	Mail Box Lock	60
J-4617	Kick Plate	68	S-4086 (1/2" bolt)	Deadbolt Lock	59
J-4618	Kick Plate	68	S-4089 (Brass finish)	Door Knocker	37
J-4619	Kick Plate	68	S-4090 (Brass finish)	Door Knocker and Viewer	37
J-4620	Kick Plate	68	S-4125 Nickel	Mail Box Lock	60
J-4621	Kick Plate	68	S-4126 Nickel	Mail Box Lock	60
J-4622	Kick Plate	68	S-4127 Nickel	Mail Box Lock	60
J-4623	Kick Plate	68	S-4128 Nickel	Mail Box Lock	60
J-4626	Push Plate	67	S-4129 Nickel	Mail Box Lock	60
J-4630	Push Plate	67	S-4130 Nickel	Mail Box Lock	60
J-4633	Push Plate	67	S-4131 Nickel	Mail Box Lock	60
J-4634	Push Plate	67	S-4132 Nickel	Mail Box Lock	60
J-4636	Push Plate	67	S-4133 Nickel	Mail Box Lock	60
J-4637	Push Plate	67	S-4134 Nickel	Mail Box Lock	60
J-4640	Pull Plate	67	S-4136 Nickel	Mail Box Lock	60
j-4641	Pull Plate	67	S-4137 Nickel	Mail Box Lock	60
J-4643	Pull Plate	67	S-4138 Nickel	Mail Box Lock	60
J-4647 (Brushed chrome)	Wall Stop	64	S-4139 (Chrome plated)	Mail Box Lock	62
J-4649 (Brushed stainless)	Wall Stop	64	S-4140 (Nickel plated finish)	Mail Box Lock	57
J-4657 (Satin aluminum)	Pull Handle (Oval)	66	S-4151 (Chrome finish)	Flip Door Lock	33
J-4658 (Polished brass)	Pull Handle (Oval)	66	S-4154	Security Bar Lock	30
J-4659 (Satin aluminum)	Pull Handle (3/4" round)	66	S-4180	Lockout Device	56
J-4660 (Polished brass)	Pull Handle (3/4" round)	66	S-4182 (Polished brass finish)	Swing Bar Lock	34
J-4661 (Satin stainless steel)	Pull Handle (3/4" round)	66	S-4184 (Bronze finish)	Door Guard	33
J-4665 (Antique brass)	Floor Stop (Dome type)	66	S-4213 (Brass plated finish)	Door Edge Guard	34
J-4666 (Chrome)	Floor Stop (Dome type)	66	S-4214 (Antique brass finish)	Door Edge Guard	34
J-4671 (Chrome plated)	Holder	63	S-4215 (Brushed chrome finish)	Door Edge Guard	34
J-4686	Push Plate	67	S-4220	Security Bar Lock	30
J-4691	Kick Plate	68	S-4221	Security Bar Lock	30
J-4693	Kick Plate	68	S-4222	Security Bar Lock	30
J-4702	Kick Plate	68	S-4223	Security Bar Lock	30
J-4703	Kick Plate	68	S-4224	Security Bar Lock	30
J-4704	Kick Plate	68	S-4225	Security Bar Lock	30
J-4708	Kick Plate	68	S-4226	Security Bar Lock	30
J-4713 (Clear polyurethane)	Wall Stop	64	S-4228 (Antique brass finish)	Door Knocker and Viewer	37
J-4715	Pull Plate	67	S-4234 (Brass plated finish)	Door Knocker & Viewer	37
j-4716	Pull Plate	67	S-4235 (Antique brass finish)	Door Knocker & Viewer	37
J-4717	Pull Plate	67	S-4244 (Brass)	Door Viewer	35
J-4718	Push Plate	67	S-4245 (Chrome finish)	Wood Window Flip Lock	23
J-4719	Push Plate	67	S-4256 (Chrome finish)	Showcase Plunger Lock	56

Part Number	Description	Page No.	Part Number	Description	Page No.
S-4297	Nickel Mail Box Lock	60	S-4717	(White) Cabinet Slide Lock	50
S-4298	(Chrome) Chain Door Guard	31	S-4719	(White) Cabinet Catches	50
S-4299	Nickel Mail Box Lock	60	S-4724	(White) Shock Guard	52
S-4300	(Cutler-Federal) 5-Pin Tumbler Locks	59	S-4725	(Ivory) Shock Guard	52
S-4301	(Florence) 5-Pin Tumbler Locks	59	S-4729	Baby On Board Sign	55
S-4302	(Auth Electric) 5-Pin Tumbler Locks	59	S-4818	(Chrome finish) Swing Bar Lock with Edge Guard	33
S-4303	(Bommer) 5-Pin Tumbler Locks	59	SCU-9140	Wall Shield	3
S-4309	"Mini" Pop-Up Lock	24	SCU-9185	Wall Shield	3
S-4310	(Nickel) Mail Box Lock	60	SCU-9186	Wall Shield	3
S-4311	(Nickel) Mail Box Lock	60	SCU-9243	Wall Shield	3
S-4312	(Nickel) Mail Box Lock	60	SCU-9244	Wall Shield	3
S-4313	(Nickel) Mail Box Lock	60	SCU-9267	Wall Shield	3
S-4314	(Nickel) Mail Box Lock	60	SCU-9268	Wall Shield	3
S-4315	(Nickel) Mail Box Lock	60	SCU-9270	Wall Shield	3
S-4316	(Nickel) Mail Box Lock	60	SCU-9271	Wall Shield	3
S-4317	(Nickel) Mail Box Lock	60	SCU-9275	Wall Shield	3
S-4318	(Nickel) Mail Box Lock	60	SE 14326	Slam Lock	46
S-4319	(Nickel) Mail Box Lock	60	SE 14327	Slam Lock	46
S-4322	(Nickel) Mail Box Lock	60	SE 14328	Slam Lock	46
S-4337	Security Bar Lock	30	SE 14329	Slam Lock	46
S-4338	Security Bar Lock	30	SE 15311	Jimmy-resistant Deadlock	45
S-4339	Security Bar Lock	30	SE 15316	Jimmy-resistant Deadlock	45
S-4353	(Brushed chrome finish) Swing Bar Lock with Edge Guard	33	SE 15318	Jimmy-resistant Deadlock	45
S-4390	(Chrome finish) Chain Door Guard (Keyed)	31	SE 15321	Jimmy-resistant Deadlock	45
S-4411	(Chrome finish) Door Knocker and Viewer	37	SE 15323	Jimmy-resistant Deadlock	45
S-4412	(Chrome finish) Door Knocker	37	SE 15326	Jimmy-resistant Deadlock	45
S-4430	(Satin brass finish) Door Guard	33	SE 15328	Jimmy-resistant Deadlock	45
S-4437	(White) Ball Cabinet Catches	49	SE 15329	Jimmy-resistant Deadlock	45
S-4438	(White - 3 pack) Cabinet Catches	49	SE 15332	Jimmy-resistant Deadlock	45
S-4439	(White) Drawer Catches	49	SE 15361	Jimmy-resistant Deadlock	45
S-4440	(Ivory) Cabinet Locks	50	SE 15366	Jimmy-resistant Deadlock	45
S-4441	(White) Door Knob Covers	51	SE 15716	Jimmy-resistant Deadlock	45
S-4442	(White) Cabinet Slide Lock	50	SE 15726	Jimmy-resistant Deadlock	45
S-4443	(White) Shock Guards	52	SE 15728	Jimmy-resistant Deadlock	45
S-4444	(White) Drawer Catch	49	SE 19311	Jimmy-resistant Deadlock	46
S-4445	(Clear) Corner Cushions	51	SE 19316	Jimmy-resistant Deadlock	46
S-4446	(Ivory) Electrical Cord Shortener	52	SE 19318	Jimmy-resistant Deadlock	46
S-4447	(Ivory) Swivel Outlet Cover	51	SE 19321	Jimmy-resistant Deadlock	46
S-4460	(Clear) Shock Guards	52	SE 19323	Jimmy-resistant Deadlock	46
S-4461	(White) Swivel Outlet Cover	51	SE 19326	Jimmy-resistant Deadlock	46
S-4462	(White - 6 piece "Value" pack) Cabinet Catches	49	SE 19332	Jimmy-resistant Deadlock	46
S-4499	Nickel Mail Box Lock	60	SE 19361	Jimmy-resistant Deadlock	46
S-4517	(Satin chrome finish) Door Knocker and Viewer	37	SE 19366	Jimmy-resistant Deadlock	46
S-4530	(XL keyway) Mail Box Lock	62	SE 19716	Jimmy-resistant Deadlock	46
S-4531	(National keyway) Mail Box Lock	62	SE 19726	Jimmy-resistant Deadlock	46
S-4532	(Hudson keyway) Mail Box Lock	62	SE 66002	Replacement Cylinder	47
S-4533	(With dust cover) 5-Pin Tumbler Lock	62	SE 66007	Replacement Cylinder	47
S-4545	(Satin chrome finish) Door Knocker	37	SE 70002	Replacement Cylinder	47
S-4550	(Satin chrome) Door Knocker & Viewer	37	SE 70003	Replacement Cylinder	47
S-4551	(White - 24 Pack) Shock Guards	52	SE 70007	Replacement Cylinder	47
S-4552	(White) Oven & Microwave Lock	53	SE 70008	Replacement Cylinder	47
S-4553	(White) Bi-Fold Door Safety Catch	52	SE 70022	Replacement Cylinder	47
S-4554	(Clear) Stove Knob Covers	53	SE 70052	Replacement Cylinder	47
S-4555	(White) In-Use Plug & Outlet Cover	52	SE 70053	Replacement Cylinder	47
S-4556	(White) Appliance Lock	53	SE 70054	Replacement Cylinder	47
S-4557	(White) Window Blind Cord Winder	53	SE 70055	Replacement Cylinder	47
S-4558	(White) Toilet Lid Safety Lock	54	SE 70056	Replacement Cylinder	47
S-4560	(White) Door Blocker	51	SE 70057	Replacement Cylinder	47
S-4578	(Satin chrome finish) Door Knocker & Viewer	37	SE 70058	Replacement Cylinder	47
S-4601	(White finish) Push/Pull Lock	27	SE 70059	Replacement Cylinder	47
S-4623	(Clear) Drapery Cord Safety Cleat	53	SE 70060	Replacement Cylinder	47
S-4624	(White) Cabinet Knob Strap Lock	50	SE 75007	Replacement Cylinder	47
S-4625	(Black) Seatbelt Adjuster Pads	55	SE 76007	Replacement Cylinder	47
S-4626	(Black) Child Car Sun Shield	55	SE 76008	Replacement Cylinder	47
S-4627	(Black) Baby Seat Mirror	55	SE-15295	(Brushed brass - angle) Strike	48
S-4628	(Inflatable) Bathtub Spout Cover	54	SE-15296	(Brushed chrome - angle) Strike	48
S-4629	(White) Bathtub Toy Storage Net	54	SE-15297	(Nickel) Fasteners	48
S-4634	(Brass finish) Mail Box Lock	62	SE-15298	(Copper) Fasteners	48
S-4648	(Brass plated) Mail Box Lock	62	SE-15299	(Bolt release) Spring	48
S-4715	(White) Toilet Lid Flip Lock	54	SE-15300	(Bolt catch) Spring	48

Part Number	Description	Page No.	Part Number	Description	Page No.
SE-15301 (Shutter)	Spring	48	U-10537 (Nickel finish - Left hand)	Loop Lock	29
SE-15303 (Copper - one-way)	Fasteners	48	U-10539 (Stainless Steel)	Lock & Door Reinforcer	11
SE-15304 (Brushed brass - angle)	Strike	48	U-10542 (Stainless Steel)	Lock & Door Reinforcer	11
SE-15305 (Brushed chrome - flat)	Strike	48	U-10546 (Stainless Steel)	Lock & Door Reinforcer	11
SE-15306 (Brushed brass - angle)	Strike	48	U-10547 (White finish)	Vinyl Patio Door Lock	25
SE-15307 (Brushed chrome - flat)	Strike	48	U-10551 (Aluminum finish)	No-mar Lock	19
SE-15308 (1/4")	Deadlock Shim Plate (Brushed brass)	48	U-10665 (Brass plated)	Drawer and Cabinet Lock	57
SE-15309 (1/2")	Deadlock Shim Plate (Brushed brass)	48	U-10666 (Brass plated)	Drawer and Cabinet Lock	57
SE-26000 (Polished brass - Left handed)	Apartment Entry Lock	41	U-10667 (Brass plated)	Drawer and Cabinet Lock	57
SE-26010 (Polished brass - Right handed)	Apartment Entry Lock	41	U-10668 (Brass finish)	Cam Lock	22
SE-26020 (Polished brass - Left handed)	Apartment Entry Lock	41	U-10670 (White finish)	Cam Lock	22
SE-26030 (Polished brass - Right handed)	Apartment Entry Lock	41	U-10671 (Aluminum finish)	Economy Lock	20
SE-27100 (Polished brass - Left handed)	Apartment Entry Lock	41	U-10672 (Aluminum finish)	Economy Lock	20
SE-27110 (Polished brass - Left handed)	Apartment Entry Lock	41	U-10673 (Aluminum finish)	Economy Lock	20
SE-27120 (Polished brass - Right handed)	Apartment Entry Lock	41	U-10676 (Stainless steel)	Latch Shield (Steel)	17
SE-27130 (Polished brass - Left handed)	Apartment Entry Lock	41	U-10677 (Stainless steel finish)	Hole Cover (Steel)	18
SE-27140 (Polished brass - Right handed)	Apartment Entry Lock	41	U-10678 (1-1/8" wide - Stainless steel)	Door Edge Filler Plate	18
SE-27570 (Polished brass - Left handed)	Apartment Entry Lock	41	U-10679 (Aluminum finish)	Economy Lock	25
SE-27580 (Polished brass - Right handed)	Apartment Entry Lock	41	U-10683 (Stainless steel)	Wood Window Flip Lock	23
SE-27590 (Satin nickel - Left handed)	Apartment Entry Lock	41	U-10744 (Classic Bronze)	Lock & Door Reinforcer	12
SE-27600 (Satin nickel - Right handed)	Apartment Entry Lock	41	U-10745 (Classic Bronze)	Lock & Door Reinforcer	12
SE-27610 (Polished brass - Left handed)	Apartment Entry Lock	41	U-10750 (Classic bronze)	Lock & Door Reinforcer	11
SE-27620 (Polished brass - Right handed)	Apartment Entry Lock	41	U-10806 (Aluminum finish)	Economy Lock	20
SE-27630 (Polished brass - Right handed)	Apartment Entry Lock	41	U-10814 (White finish)	Door Chime and Viewer (200°)	35
SE-70000	Lock Cylinder Tail Piece	48	U-10817 (Satin nickel finish)	Jimmy-resistant Deadlock	44
SE-70001 (Brass)	Key Blanks	47	U-10819 (Chrome finish)	Lock Plate	32
SE-80000 (Brass plated)	Cylinder Guard Plate (Steel)	47	U-10823 (For 1-3/8" thick doors)	Door Edge Reinforcer	13
SE-80001 (Chrome plated)	Cylinder Guard Plate (Steel)	47	U-10824 (For 1-3/4" thick doors)	Door Edge Reinforcer	13
U-10027 (Brass plated - 11")	Latch Shield	17	U-10826 (Brass plated finish)	Door Reinforcement Lock	32
U-10254 (Solid brass - 2")	Surface Bolt	32	U-10827 (Satin nickel finish)	Door Reinforcement Lock	32
U-10260 Brass	Door Edge Reinforcer	13	U-10829 (White finish)	Door Reinforcement Lock	27
U-10261 Brass	Door Edge Reinforcer	13	U-10830 (Brass finish)	Swing Bar Lock	33
U-10262 Brass	Door Edge Reinforcer	13	U-10866	Mini Bumper	3
U-10263 Brass	Door Edge Reinforcer	13	U-10867	Mini Bumper	3
U-10264 Brass	Door Edge Reinforcer	13	U-10868	Mini Bumper	3
U-10265 Brass	Door Edge Reinforcer	13	U-10871 (White finish - 1/bag - 100 per box)	Economy Lock	20
U-10267 (White finish)	Surface Bolt	32	U-10872 (Black finish - 1/bag - 100 per box)	Economy Lock	20
U-10271 (Aluminum finish)	Thumbscrew Lock	19	U-10875 (Aluminum finish - 4 per package)	No-mar Lock	19
U-10276 (Brass plated finish)	Adjustable Strike	4	U-10876 (White finish - 4 per package)	No-mar Lock	19
U-10277 (Antique brass plated finish)	Adjustable Strike	4	U-10881 (Brass plated finish)	Cabinet Door Elbow Catch	58
U-10278 (Chrome plated finish)	Adjustable Strike	4	U-10882 (Satin nickel finish)	Cabinet Door Elbow Catch	58
U-10289 (For 1-3/8" thick doors)	Door Edge Reinforcer	13	U-10883 (Classic bronze finish)	Cabinet Door Elbow Catch	58
U-10290 (For 1-3/4" thick doors)	Door Edge Reinforcer	13	U-10884 (Stainless steel - 13/16")	Loop Lock	29
U-10304 (Satin nickel)	Chain Door Guard	31	U-10885 (Stainless steel - 1-1/8")	Loop Lock	29
U-10305 (Classic bronze)	Chain Door Guard	31	U-10886 (Stainless steel - 1-7/16")	Loop Lock	29
U-10306 (Satin nickel - 4")	Surface Bolt	32	U-10887 (Stainless steel - 2-1/8")	Loop Lock	29
U-10307 (Classic bronze - 4")	Surface Bolt	32	U-10888 (Antique brass finish)	Hole Cover (Steel)	18
U-10308 (Satin nickel)	Door Guard	33	U-10893 (2-3/8" Backset)	Door Jamb Reinforcement & Repair Kit	14
U-10309 (Classic bronze finish)	Swing Bar Lock	33	U-10895 (2-3/4" Backset)	Door Jamb Reinforcement & Repair Kit	14
U-10313	Door Viewer	35	U-10896 (Plate only)	Door Jamb Reinforcement Plate	14
U-10314 (Satin nickel - 1")	Door Viewer (160°)	35	U-10897 (10")	Latch Shield (Poly-bagged)	16
U-10319 (Satin nickel finish)	Flip Door Lock	33	U-10902 (Plate only)	Door Jamb Reinforcement Plate	14
U-10321 (Classic bronze finish)	Flip Door Lock	33	U-11000	Safe Can - Ajax	1
U-10327 (Satin nickel finish)	Door Knocker & Viewer	37	U-11001	Safe Can - Liquid Wrench	1
U-10347 (Satin nickel - U.L. Listed)	Door Viewer	34	U-11002	Safe Can - Scotch Guard	1
U-10348 (Satin nickel)	Door Viewer	35	U-11003	Safe Can - Counter Display	1
U-10351 (Brass)	Door Viewer	35	U-11005	Safe Can - Floor Display	1
U-10361 (Satin nickel finish)	Swing Bar Lock with Edge Guard	33	U-11026 (White)	Door & Jamb-Repair Reinforcement Kit	15
U-10366 (Satin nickel finish)	Door Knocker	37	U-11038 (Chrome plated finish - 13/16")	Loop Lock	29
U-10378 (Brass plated)	Lock Shield	15	U-11039 (Chrome plated finish- 1-3/4")	Loop Lock	29
U-10385 (Satin nickel finish)	Maximum Security Combination Strike	8	U-11063 (Satin nickel finish)	Keyed Sash Lock	22
U-10386 (Satin nickel finish)	Chain Door Guard	31	U-11064 (Satin nickel finish)	Casement Window Sash Lock	24
U-10392 (Satin nickel)	Door Viewer	35	U-11070 (Chrome finish)	Window Pin Lock	28
U-10446 (Satin nickel finish)	Hole Cover (Steel)	18	U-11072	Lock & Door Reinforcer	11
U-10527 (Kwikset keyway)	Rim Cylinder Lock (Brass finish)	43	U-11088 Bronze	Drawer & Cabinet Lock	58
U-10530 (Cast bronze)	Jimmy-resistant Deadlock	45	U-11088KA (Bronze)	Drawer & Cabinet Lock	58
U-10531 (Cast bronze)	Jimmy-resistant Deadlock	45	U-11089 Bronze	Drawer & Cabinet Lock	58
U-10533 (Antique brass finish)	Chain Door Guard	31	U-11089KA (Bronze)	Drawer & Cabinet Lock	58
U-10535 (Antique brass plated finish)	Standard Commercial Strike	6	U-11117 (Classic bronze finish)	Keyed Sash Lock	22
U-10536 (Nickel finish - Right hand)	Loop Lock	29	U-11124 (Satin nickel finish)	Maximum Security Latch Strike	8

Part Number	Description	Page No.	Part Number	Description	Page No.
U-11125 (Classic bronze finish)	Maximum Security Latch Strike	8	U-9547 Brass	Lock & Door Reinforcer	10
U-11127 (Aluminum finish)	Window Lock & Wrench	19	U-9548 Brass	Lock & Door Reinforcer	10
U-11128 (White finish)	Window Lock & Wrench	19	U-9549 Brass	Lock & Door Reinforcer	10
U-11154 (White finish)	Keyed Sash Lock	24	U-9550 Brass	Lock & Door Reinforcer	10
U-11187	Digital Door Viewer	36	U-9551 (Stainless Steel)	Lock & Door Reinforcer	10
U-9140	Wall Shield	3	U-9552 (Stainless Steel)	Lock & Door Reinforcer	10
U-9185	Wall Shield	3	U-9553	Lock & Door Reinforcer	12
U-9186	Wall Shield	3	U-9554	Lock & Door Reinforcer	12
U-9243	Wall Shield	3	U-9555 (Brass)	Lock & Door Reinforcer	12
U-9244	Wall Shield	3	U-9556 (Brass)	Lock & Door Reinforcer	12
U-9267	Wall Shield	3	U-9558 (Brass)	Lock & Door Reinforcer	12
U-9268	Wall Shield	3	U-9559 (Brass)	Lock & Door Reinforcer	11
U-9270	Wall Shield	3	U-9560 (Brass)	Lock & Door Reinforcer	11
U-9271	Wall Shield	3	U-9561 (Brass)	Lock & Door Reinforcer	11
U-9275	Wall Shield	3	U-9564 (Brass)	Lock & Door Reinforcer	12
U-9422 (Brass plated finish)	Security Latch Strike	6	U-9565 (Brass)	Lock & Door Reinforcer	12
U-9424 (Antique brass plated finish)	Security Latch Strike	6	U-9566 (Brass)	Door Edge Reinforcer	14
U-9425 (Brass plated finish)	Maximum Security Deadbolt Strike	8	U-9567 (Brass)	Door Edge Reinforcer	14
U-9426 (Brass plated finish)	Maximum Security Latch Strike	8	U-9568 Antique Brass)	Lock & Door Reinforcer	10
U-9427 (Brass plated finish)	Maximum Security Combination Strike	8	U-9569 Antique Brass)	Lock & Door Reinforcer	10
U-9428 (Brass plated steel)	Standard A.S.A. Commercial Strike	6	U-9571 Antique Brass)	Lock & Door Reinforcer	10
U-9429 (Chrome plated steel)	Standard A.S.A. Commercial Strike	6	U-9572 Antique Brass)	Lock & Door Reinforcer	12
U-9474 (Chrome plated finish)	Security Latch Strike	6	U-9573 Antique Brass)	Lock & Door Reinforcer	12
U-9475 (Chrome plated finish)	Maximum Security Deadbolt Strike	8	U-9575 Antique Brass)	Lock & Door Reinforcer	12
U-9476 (Chrome plated finish)	Maximum Security Latch Strike	8	U-9577 (Antique Brass)	Lock & Door Reinforcer	11
U-9477 (Brushed chrome plated finish)	Maximum Security Combination Strike	8	U-9583 Antique Brass)	Door Edge Reinforcer	14
U-9479 (Brass)	Lock & Door Reinforcer	11	U-9584 (Brass)	Door Edge Reinforcer	14
U-9480 (Brass plated finish)	Maximum Security Combination Strike	8	U-9585 (Stainless Steel)	Lock & Door Reinforcer	10
U-9481 (Aluminum anodized)	Door Protector (Extruded aluminum)	15	U-9586 (Stainless Steel)	Lock & Door Reinforcer	10
U-9482 (Gold anodized)	Door Protector (Extruded aluminum)	15	U-9587 (Stainless Steel)	Lock & Door Reinforcer	10
U-9483 (Stainless steel)	Standard A.S.A. Commercial Strike	6	U-9588 (Stainless Steel)	Lock & Door Reinforcer	10
U-9484 (Solid polished brass)	Standard A.S.A. Commercial Strike	6	U-9589 (Stainless Steel)	Lock & Door Reinforcer	12
U-9486 (Brass plated finish)	Adjustable Strike	4	U-9590 (Stainless Steel)	Lock & Door Reinforcer	12
U-9488 (Chrome plated finish)	Adjustable Strike	4	U-9591 (Stainless Steel)	Lock & Door Reinforcer	12
U-9490 Brass	Blank Reinforcer	14	U-9592 (Stainless Steel)	Lock & Door Reinforcer	12
U-9492 Stainless Steel	Blank Reinforcer	14	U-9595 (Stainless Steel)	Lock & Door Reinforcer	11
U-9493 (White finish)	Lock Plate	32	U-9599 (Stainless Steel)	Lock & Door Reinforcer	12
U-9494 (Gold finish)	Lock Plate	32	U-9800 (Aluminum finish)	Thumbscrew Lock	19
U-9495 (Brass plated finish)	Adjustable Strike	5	U-9801 (Black finish)	Thumbscrew Lock	19
U-9496 (Stainless steel - 7")	Latch Shield	17	U-9802 (White finish)	Thumbscrew Lock	19
U-9497 (1-1/8" wide - Brass plated)	Door Edge Filler Plate	18	U-9805 (Aluminum finish)	Double Thumbscrew Lock	25
U-9498 (Antique brass finish)	Cover Plate (Steel)	18	U-9807 (White finish)	Double Thumbscrew Lock	25
U-9500 (Painted gray - 7")	Latch Shield (Steel)	17	U-9809 (White finish)	Vinyl Window Lock	20
U-9501 (Painted bronze - 7")	Latch Shield (Steel)	17	U-9810 (Aluminum finish)	Tamperproof Lock	19
U-9502 (Brass plated - 7")	Latch Shield (Steel)	17	U-9811 (Black finish)	Tamperproof Lock	19
U-9503 (Painted gray - 11")	Latch Shield (Steel)	17	U-9812 (White finish)	Tamperproof Lock	19
U-9504 (Painted bronze - 11")	Latch Shield (Steel)	17	U-9815 (Aluminum finish)	Tamperproof Lock	25
U-9509 (Painted gray - 6")	Latch Shield (Steel)	17	U-9817 (White finish)	Tamperproof Lock	25
U-9510 (Brass plated - 6")	Latch Shield (Steel)	17	U-9819 (White finish - 4/card)	Economy Lock	20
U-9511 (Painted gray - 6")	Latch Shield (Steel)	16	U-9820 (Aluminum finish)	No-mar Lock	19
U-9512 (Brass plated - 6")	Latch Shield (Steel)	16	U-9821 (White finish)	No-mar Lock	19
U-9513 (Painted gray - 12")	Latch Shield (Steel)	16	U-9823 (Aluminum finish - 4/card)	Economy Lock	20
U-9514 (Brass plated - 12")	Latch Shield (Steel)	16	U-9824 (Aluminum finish)	Cam Action Lock	20
U-9515 (Painted gray)	Hole Cover (Steel)	18	U-9825 (White finish)	Cam Action Lock	20
U-9516 (Brass plated)	Hole Cover (Steel)	18	U-9828 (Aluminum finish)	Snap-on Vent Lock	20
U-9517 (Nickel plated)	Cover Plate (Steel)	18	U-9830 (White finish)	Snap-on Vent Lock	20
U-9519 (Painted gray)	Blank Strike	18	U-9831 (White)	Vinyl Window Lock	21
U-9521 (1-1/8" wide - Painted gray)	Door Edge Filler Plate	18	U-9833 (Aluminum finish)	Thumbscrew Bar Lock	21
U-9524 (Brass plated)	Cover Plate (Steel)	18	U-9835 (White finish)	Thumbscrew Bar Lock	21
U-9529 (Brass plated)	Bore Adaptor Rings	17	U-9838 (Aluminum finish)	Keyed Lock	21
U-9531 (Chrome plated finish)	Hole Cover (Steel)	18	U-9839 (White finish)	Keyed Lock	21
U-9535 (Brass plated finish)	Maximum Security Deadbolt Strike	9	U-9842 (Clear finish)	Glass Surface Lock	28
U-9536 (Nickel plated finish)	Maximum Security Deadbolt Strike	9	U-9845 (Brass finish)	Wood Sash Pins	21
U-9537 (Brass)	Lock & Door Reinforcer	11	U-9846 (Nickel finish - 1-1/8")	Loop Lock	29
U-9539 (Brass plated finish)	Armored Security Strike	9	U-9847 (Nickel finish - 2-1/8")	Loop Lock	29
U-9540 (Brass)	Lock & Door Reinforcer	10	U-9848 (Zinc finish)	Twist-in Lock	26
U-9541 (Brass)	Lock & Door Reinforcer	10	U-9849 (Black finish)	Twist-in Lock	26
U-9543	Lock & Door Reinforcer	12	U-9850 (White finish)	Twist-in Lock	26
U-9544	Lock & Door Reinforcer	12	U-9852 (White finish)	Chain Door Guard	31
U-9546	Combination Lock & Door Reinforcer	11	U-9853 (Aluminum finish)	Push/Pull Lock	26

U-9855 (White finish)	Push/Pull Lock	26	U-9944 (Brass)	Drawer & Cabinet Lock	58
U-9857 (Chrome finish)	Window Pin Lock	24	U-9944KA (Brass)	Drawer & Cabinet Lock	58
U-9858 (Chrome finish)	Door Pin with Retaining Ring	28	U-9945 (Chrome)	Drawer & Cabinet Lock	58
U-9861 (Aluminum finish)	Push-in Keyed Lock	25	U-9945KA (Chrome)	Drawer & Cabinet Lock	58
U-9862 (White finish)	Push-in Keyed Lock	25	U-9946 (Brass)	Drawer & Cabinet Lock	58
U-9863 (Brass finish)	Keyed Sash Lock	22	U-9946KA (Brass)	Drawer & Cabinet Lock	58
U-9865 (White)	Patio Door Lock	28	U-9947 (Brass finish)	Drawer & Cabinet Lock	56
U-9866 (Aluminum finish)	Slide Bolt Lock	26	U-9949 (Chrome finish)	Showcase Window Key Lock	56
U-9867 (White finish)	Slide Bolt Lock	26	U-9950 (Chrome)	Drawer & Cabinet Lock	58
U-9868 (White)	Patio Door Lock	28	U-9950KA (Chrome)	Drawer & Cabinet Lock	58
U-9869 (White)	Patio Door Lock	27	U-9951 (4" - Zinc finish)	Keyed Hasp	56
U-9870 (Aluminum finish)	Push-in Keyed Lock	26	U-9953 (Brass)	Drawer & Cabinet Lock	58
U-9872 (White finish)	Chain Door Guard (Keyed)	31	U-9953KA (Brass)	Drawer & Cabinet Lock	58
U-9873 (Antique brass finish)	Flip Door Lock	33	U-9956 (Brass painted finish)	Night Latch & Locking Cylinder	44
U-9874 (White finish)	Push/Pull Lock	26	U-9961 (Solid brass - 4")	Surface Bolt	32
U-9875 (Chrome)	Door Viewer	35	U-9962 (Solid brass - 3")	Surface Bolt	32
U-9876 (Chrome)	Door Viewer	35	U-9965 (Kwikset keyway)	Rim Cylinder Lock (Brass finish)	43
U-9877 (Aluminum finish)	Step-on Lock	27	U-9966 (Schlage keyway)	Rim Cylinder Lock (Brass finish)	43
U-9879 (White finish)	Step-on Lock	27	U-9967 (Brass painted finish)	Night Latch & Locking Cylinder	44
U-9880 (Satin chrome finish - U.L. Listed)	Door Viewer	34	U-9968 (Polished brass finish)	Night Latch & Locking Cylinder	44
U-9881 (Satin Chrome)	Door Viewer	35	U-9969 (White finish)	Night Latch & Locking Cylinder	44
U-9882 (Aluminum finish)	Step-on Keyed Lock	27	U-9970 (Brass painted finish)	Jimmy-Proof Deadlock (Single cylinder)	44
U-9884 (White finish)	Step-on Keyed Lock	27	U-9971 (White painted finish)	Jimmy-Proof Deadlock (Single cylinder)	44
U-9885 (Brass finish)	Keyed Deadbolt Lock	32	U-9972 (Brass painted finish)	Jimmy-Proof Deadlock (Double cylinder)	44
U-9887 (Brass finish)	Flip Door Lock	33	U-9973 (White painted finish)	Jimmy-Proof Deadlock (Double cylinder)	44
U-9888 (White finish)	Flip Door Lock	33	U-9975 Stainless Steel	Door Edge Reinforcer	14
U-9891 (Brass)	Door Viewer	35	U-9976 Stainless Steel	Door Edge Reinforcer	14
U-9892 (Brass)	Door Viewer	35	U-9977 (Brass)	Lock & Door Reinforcer	11
U-9893 (Brass)	Door Viewer	35	U-9978 Brass	Lock & Door Reinforcer	12
U-9895 (Brass finish)	Door Viewer (160°)	34	U-9979	Lock & Door Reinforcer	12
U-9896 (Brass finish - 1")	Door Viewer (160°)	35	U-9980 (Aluminum finish - 2/card)	Economy Lock	20
U-9897 (Brass finish)	Door Guard	33	U-9982 (White finish - 2/card)	Economy Lock	20
U-9899 (Antique brass finish)	Door Guard	33	U-9983 (Brass - U.L. Listed)	Door Viewer (160°)	34
U-9900 (Chrome finish)	Door Guard	33	U-9989 (Brass plated finish)	Security Strike Kit	6
U-9901 (Brushed chrome finish)	Door Guard	33	U-9990 (Antique brass plated finish)	Security Strike Kit	6
U-9902 (White finish)	Door Guard	33	U-9991 (Antique brass plated finish)	Maximum Security Deadbolt Strike	8
U-9905 (Brass finish)	Chain Door Guard	31	U-9993 (Antique brass plated finish)	Maximum Security Deadbolt Strike	9
U-9907 (Brass)	Chain Door Guard	31	U-9997 (Aluminum finish)	Keyed Bolt Lock	29
U-9908 (Chrome finish)	Chain Door Guard	31	U-9998	Combination Lock & Door Reinforcer	11
U-9909 (Chrome)	Chain Door Guard	31	ZZ-116	Defender Sign (46" wide x 12" high)	69
U-9910 (Brass finish - steel)	Chain Door Guard (with bolt)	31	ZZ-246	Home Security Brochure	69
U-9911 (Brass finish - solid brass)	Chain Door Guard (with bolt)	31	ZZ-256	Home Security Selection Guide	69
U-9912 (Brass finish)	Chain Door Guard (Keyed)	31			
U-9913 (Antique brass)	Chain Door Guard	31			
U-9914 (Antique brass finish)	Chain Door Guard (Keyed)	31			
U-9915 (Gold finish)	Door Viewer	34			
U-9916 (Bronze finish)	Door Viewer	34			
U-9917 (White finish)	Door Viewer	34			
U-9918 (Gray finish)	Door Viewer	34			
U-9919 (White finish)	Keyed Bolt Lock	29			
U-9920 (Aluminum finish)	Security Bar Lock	30			
U-9921 (White finish)	Security Bar Lock	30			
U-9924 (Brass finish)	Sash Window Lock	22			
U-9925 (White finish)	Sash Window Lock	22			
U-9926 (Brass finish)	Wood Window Flip Lock	23			
U-9927 (Brass finish)	Keyed Sash Lock	22			
U-9928 (White finish)	Keyed Sash Lock	22			
U-9929 (Antique brass finish)	Wood Window Flip Lock	23			
U-9931 (Brass)	Lock & Door Reinforcer	11			
U-9932 (Brass finish)	Slim-line Keyed Sash Lock	23			
U-9933 (White finish)	Slim-line Keyed Sash Lock	23			
U-9935 (Brass finish)	Casement Window Sash Lock	24			
U-9936 (White finish)	Casement Window Sash Lock	24			
U-9938 (Brass finish)	Wood Window Flip Lock	23			
U-9939 (Brass finish)	Wood Window Vent Lock	23			
U-9940 (Nickel finish)	Mail Box Lock	57			
U-9941 (Chrome)	Drawer & Cabinet Lock	58			
U-9941KA (Chrome)	Drawer & Cabinet Lock	58			
U-9942 (Brass)	Drawer & Cabinet Lock	58			
U-9942KA (Brass)	Drawer & Cabinet Lock	58			
U-9943 (Chrome)	Drawer & Cabinet Lock	58			
U-9943KA (Chrome)	Drawer & Cabinet Lock	58			



Facebook



YouTube



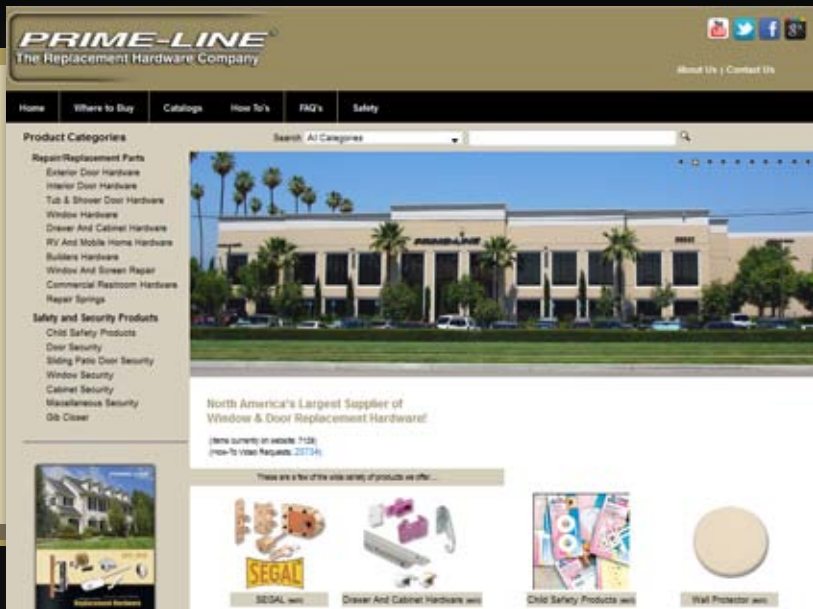
Twitter



Google+

CONNECT With Prime-Line

primeline.net



PRIME-LINE[®]

26950 San Bernardino Ave., Redlands, CA 92374
(909) 887-8118 • FAX - (909) 880-8968
Outside CA - (800) 255-3505 • FAX - (800) 437-7405