



AIR DISTRIBUTION CATALOG

INNOVATORS IN HOME AIR DISTRIBUTION PRODUCTS



www.dundasjafine.com



A RICH HISTORY IN AIR VENTILATION

Dundas Jafine is a renowned manufacturer of air distribution products. For 80 years now we have been bringing the finest quality air movement products to the marketplace and developing the most dynamic packaging and POP in the industry.

The driving force behind any successful company is a vision. A sense of corporate purpose that trickles down through all areas of the organization. For over 80 years everyone at Dundas Jafine has helped develop and share in such a vision.

From owners, to sales and marketing, all the way through to shipping, there is a commitment to do whatever it takes to build on our industry leadership position in order to satisfy the needs of our customers.

A COMMITMENT TO QUALITY

Dedicated to continuous improvement, Dundas Jafine's quality is reflected in the materials used in our products, the excellence of our manufacturing processes and the most dynamic eye catching ventilation packaging in the industry.

A COMMITMENT TO SERVICE

Dundas Jafine puts the customer first, satisfying demands, listening to concerns and acting upon requests.

A COMMITMENT TO THE FUTURE

Supporting our customers by developing new and innovative products, competitive pricing, strong promotional programs that reflect the ever-changing marketplace and "Do It Right The First Time" order processing is Dundas Jafine's promise of yesterday, today and tomorrow.

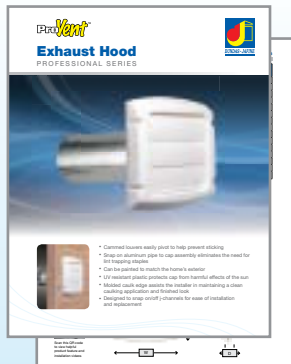
Exhaust Hoods	5
ProSeries Hoods	6
Aluminum and Steel Hoods	12
Exhaust Caps	15
ProSeries Caps	16
Soffit Exhaust Caps	20
Universal Pest Barricade	22
Roof Caps	23
Replacement Cap and Gasket Kit	24
Ducts	25
Dryer Vent Ducts	26
Semi-Rigid Aluminum Ducts	27
Space Saver Ducts	28
Aluminum Pipe	29
Marine Blower Hose	30
General Purpose Ducts	31
Insulated Ducts	37
Kits	43
Dryer Vent Kits	44
Bathroom Fan Vent Kits	49
Dryer Hook-Up Kits	52
Heat Keeper Kit	55
Accessories	57
ProClean Kit and Brushes	58
Connectors	61
Recessed Dryer Vent Box	67
Elbows	68
Draft Blocker	69
Clamps	70
Pest Screen	73
J-Channels	74
Increases and Decreasers	75
Air Register Deflectors and Covers	77
Air Filters	81
Pipe Wrap	82
Insulation Sleeves	84
Aluminum Repair Rolls	87
Dryer Duct Lint Trap	88
General Air Distribution	89
Intake Hoods	90
Intake Caps	92
Air Diffusers	93



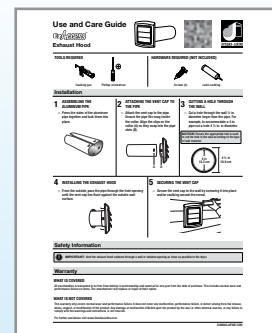
**VISIT DUNDASJAFINE.COM
FOR OTHER HELPFUL RESOURCES**



DIGITAL CATALOG



SPEC SHEETS



INSTALL INSTRUCTIONS



INDUSTRY INFORMATION



WHERE TO BUY



INSTALLATION VIDEOS

EXHAUST HOODS





NUT DRIVER READY!

- Removable pest screen for easy cleaning of lint and debris
- Snap on aluminum pipe to cap assembly eliminates the need for lint trapping staples
- Can be painted to match the home's exterior
- UV resistant plastic protects cap from harmful effects of the sun
- Molded caulk edge assists the installer in maintaining a clean caulking application and finished look

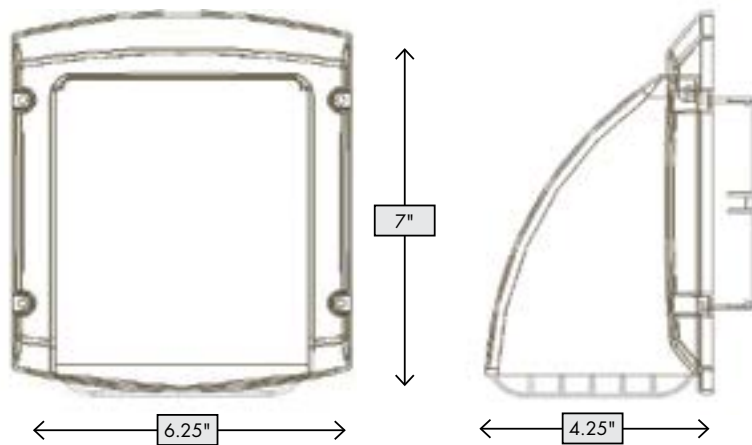
Product Code	UPC Code 060672	Size	Packaging	Pack Qty.	Pack Wt. (lbs.)	Pack Cube (cu. ft.)
PMH4BXZ	268153	4"	Bulk - Brown	12	11	3.95
PMH4WXZ	268146	4"	Bulk - White	12	11	3.95
PMH4WZW	268177	4"	Bulk / Retail Cut Case - White	12	11	3.99
PMH4WZWS	268177	4"	Bulk / Retail Cut Case for Gondolas - White	12	11	3.99
BPMH4WZW	268191	4"	Retail Box / Cut Case - White	12	11	3.18
BPMH4BZW	268207	4"	Retail Box / Cut Case - Brown	12	11	3.18
BPMH4WZW6	268191	4"	Retail Box / Cut Case - White	6	6	1.56

Material: Polypropylene with UV inhibitor

Collar Sizes: 4"



Scan this QR code to view installation, feature and benefit videos



NUT DRIVER READY!



- Cammed louvers easily pivot to help prevent sticking
- Snap on aluminum pipe to cap assembly eliminates the need for lint trapping staples
- Can be painted to match the home's exterior
- UV resistant plastic protects cap from harmful effects of the sun
- Molded caulk edge assists the installer in maintaining a clean caulking application and finished look
- Designed to snap on/off j-channels for ease of installation and replacement

Product Code	UPC Code 060672	Size	Packaging	Pack Qty.	Pack Wt. (lbs)	Pack Cube (cu. ft.)
LH3BXZ	270767	3"	Bulk - Brown	12	7	3.41
LH3WXZ	270798	3"	Bulk - White	12	7	3.41
LH4BXZ	270781	4"	Bulk - Brown	12	7	3.41
BLH4BZW 	270897	4"	Retail Box / Cut Case - Brown	12	7	3.18
BLH4BZW6 	270897	4"	Retail Box / Cut Case - Brown	6	5	1.56
LH4WXZ	270774	4"	Bulk - White	12	7	3.41
BLH4WZW 	270699	4"	Retail Box / Cut Case - White	12	7	3.18
BLH4WZW6 	270699	4"	Retail Box / Cut Case - White	6	5	1.56
LH5BXZ	270958	5"	Bulk - Brown	12	11	6.41
LH5WXZ	270941	5"	Bulk - White	12	11	6.41
LH5WXZW	270675	5"	Bulk / Cut Case - White	8	7	3.35
LH6BXZ	270972	6"	Bulk - Brown	12	11	6.41
BLH6BZW	270996	6"	Retail Bulk / Cut Case - Brown	5	13	1.34
LH6WXZ	270965	6"	Bulk - White	12	11	6.41
BLH6WZW	270989	6"	Retail Box / Cut Case - White	5	13	1.34

Material: Polypropylene with UV inhibitor
Collar Sizes: 3", 4", 5", 6"

Collar Size	Dimensions		
	H	W	D
3", 4"	7"	6.25"	0.85"
5", 6"	10"	9.375"	1.5"

Scan this QR code to view installation, feature and benefit videos



ProVent™ EXHAUST HOOD WITH J-CHANNEL



- Can be painted to match the home's exterior
- UV resistant plastic protects cap from harmful effects of the sun
- Molded caulk edge assists the installer in maintaining a clean caulking application and finished look
- Mounts on exterior wall prior to installation of vinyl siding or stucco
- Channels moisture away from substrate and venting hole

Product Code	UPC Code 060672	Size	Packaging	Pack Qty.	Pack Wt. (lbs)	Pack Cube (cu. ft.)
JLH4BXZ	270866	4"	Bulk - Brown	12	9	2.97
JLH4WXZ	270859	4"	Bulk - White	12	9	2.97
JLH5BXZ	271023	5"	Bulk - Brown	12	12	6.41
JLH5WXZ	271016	5"	Bulk - White	12	12	6.41
JLH6BXZ	271047	6"	Bulk - Brown	12	12	6.41
JLH6WXZ	271030	6"	Bulk - White	12	12	6.41

Material: Polypropylene with UV inhibitor

Collar Sizes: 3", 4", 5", 6"



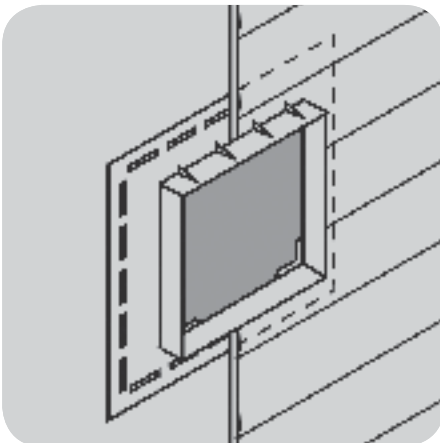
Scan this QR code to view installation, feature and benefit videos

J CHANNEL

Collar Size	Dimensions		
	H	W	D
3", 4"	8.5"	7.5"	1.25"
5", 6"	11"	10.25"	1.5"

PROVENT™ CAP

Collar Size	Dimensions		
	H	W	D
3", 4"	7"	6.25"	0.85"
5", 6"	10"	9.375"	1.5"





- Cammed louvers easily pivot to help prevent sticking
- Low profile pest guard can be easily removed for cleaning
- Snap on aluminum pipe to cap assembly eliminates the need for lint trapping staples
- Can be painted to match the home's exterior
- UV resistant plastic protects cap from harmful effects of the sun
- Molded caulk edge assists the installer in maintaining a clean caulking application and finished look

Product Code	UPC Code 060672	Size	Packaging	Pack Qty.	Pack Wt. (lbs)	Pack Cube (cu. ft.)
PGH4BXZ	602070	4"	Bulk - Brown	12	8	3.41
BPGH4BZW	602087	4"	Retail Box / Cut Case - Brown	12	10	3.18
BPGH4BZW6	602087	4"	Retail Box / Cut Case - Brown	6	6	1.56
PGH4WXZ	602056	4"	Bulk - White	12	8	3.41
BPGH4WZW	602049	4"	Retail Box / Cut Case - White	12	10	3.18
BPGH4WZW6	602049	4"	Retail Box / Cut Case - White	6	6	1.56

Material: Polypropylene with UV inhibitor
Collar Sizes: 4"

Scan this QR code to view installation, feature and benefit videos





NUT DRIVER READY!

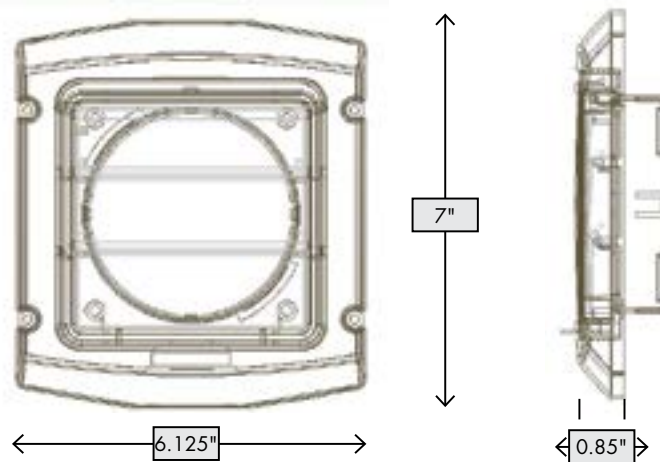
- Hinged louvered damper system locks in open position for easy removal of lint and debris
- Snap on aluminum pipe to cap assembly eliminates the need for lint trapping staples
- Can be painted to match the home's exterior
- UV resistant plastic protects cap from harmful effects of the sun
- Molded caulk edge assists the installer in maintaining a clean caulking application and finished look
- Designed to snap on/off j-channels for ease of installation and replacement

Product Code	UPC Code 060672	Size	Packaging	Pack Qty.	Pack Wt. (lbs)	Pack Cube (cu. ft.)
BHLH4WZW	272006	4"	Retail Box / Cut Case - White	6	5	1.56

Material: Polypropylene with UV inhibitor
Collar Sizes: 4"



Scan this QR code to view installation, feature and benefit videos



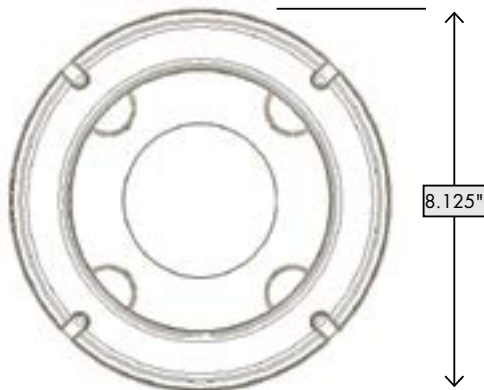


- Spring loaded damper system offers complete noise control with no flapping of louvers or dampers during inclement weather
- Snap on aluminum pipe to cap assembly eliminates the need for lint trapping staples
- Prevents pests from entering the vent
- Center shield can be removed for ease of cleaning
- UV resistant plastic protects cap from harmful effects of the sun
- Molded caulk edge assists the installer in maintaining a clean caulking application and finished look and replacement

Product Code	UPC Code 060672	Size	Packaging	Pack Qty.	Pack Wt. (lbs)	Pack Cube (cu. ft.)
BPSH4WZW	801015	4"	Retail Box / Cut Case - White	4	4	1.31
PSH4WXZ	801022	4"	Bulk - White	8	7	2.36

Material: Polypropylene with UV inhibitor
Collar Sizes: 4"

Scan this QR code to view installation, feature and benefit videos



ALL ALUMINUM EXHAUST HOOD



- Classic, low profile design
- All aluminum product will not warp or crack
- Comes with damper to prevent backdraft

Product Code	UPC Code 060672	Size	Packaging	Pack Qty.	Pack Wt. (lbs)	Pack Cube (cu. ft.)
PVB3EAL	130290	3"	Bulk	12	5	1.98
PVB4EAL	130306	4"	Bulk	12	6	2.55
PVB4EALZW	130375	4"	Bulk / Cut Case	12	6	2.89

Material: Aluminum

Collar Sizes: 3", 4"



Scan this QR code to view
installation, feature and
benefit videos



12 ALUMINUM HOODS

GALVANIZED EXHAUST HOOD



- Ideal for exhausting kitchen or bathroom fans through the wall or roof
- Heavy duty, steel construction

Product Code	UPC Code 060672	Size	Packaging	Pack Qty.	Pack Wt. (lbs)	Pack Cube (cu. ft.)
G32510	210022	3.25"x 10"	Bulk	12	33	5.19

Material: Galvanized steel
Collar Sizes: 4"

Scan this QR code to view
installation, feature and
benefit videos



Innovative Solutions To Solve Your Everyday Venting Issues



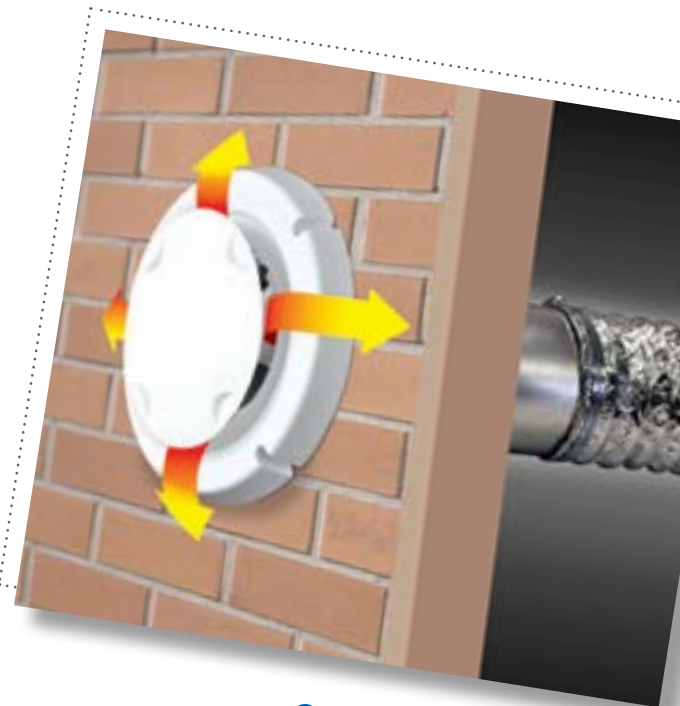
Is space an issue?

Our Recessed Dryer Vent Box helps gain additional space in the laundry room by allowing your dryer to be pushed up against the wall. Check out our Space Saver ducts for other space saving solutions.



Are pests a problem?

Our ProShield Exhaust Hood features a unique round design and the spring loaded damper system prevents pests from entering your home by remaining closed until your dryer is turned on. See our ProGard, ProMax and Universal Pest Barricade products for other pest control options.



Is lint build-up a concern?

This three piece Dryer Lint Removal Kit helps to keep your dryer running safely and efficiently. The tools included will remove the lint build-up in your dryer duct and dryer lint trap, increasing the dryers's performance. Take a look at our Dryer Lint Clean Out Connector and EzAccess exhaust hood for more cleaning solutions.





EXHAUST CAPS



NUT DRIVER READY!

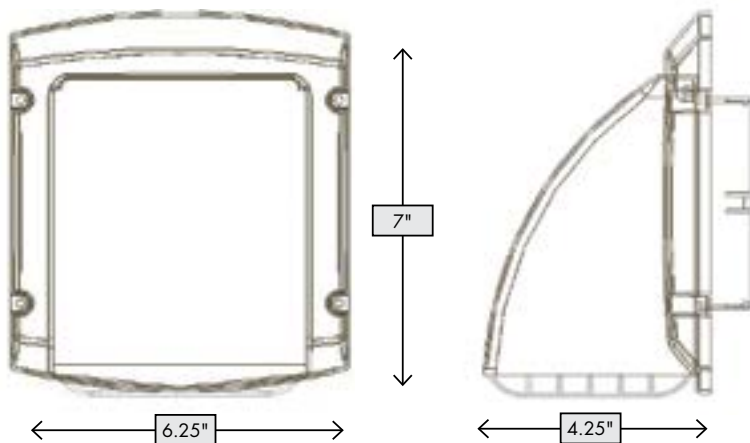
- Removable pest screen for easy cleaning of lint and debris
- Can be painted to match the home's exterior
- UV resistant plastic protects cap from harmful effects of the sun
- Molded caulk edge assists the installer in maintaining a clean caulking application and finished look

Product Code	UPC Code 060672	Size	Packaging	Pack Qty.	Pack Wt. (lbs.)	Pack Cube (cu. ft.)
PMC4BX	268078	4"	Bulk - Brown	24	17	2.79
PMC4WX	268061	4"	Bulk - White	24	17	2.79
PMC4WXZW	268054	4"	Bulk / Cut Case - White	6	4	1.00

Material: Polypropylene with UV inhibitor
Collar Sizes: 4"



Scan this QR code to view installation, feature and benefit videos





NUT DRIVER READY!

- Cammed louvers easily pivot to help prevent sticking
- Can be painted to match the home's exterior
- UV resistant plastic protects cap from harmful effects of the sun
- Molded caulk edge assists the installer in maintaining a clean caulking application and finished look
- Designed to snap on/off j-channels for ease of installation and replacement

Product Code	UPC Code 060672	Size	Packaging	Pack Qty.	Pack Wt. (lbs)	Pack Cube (cu. ft.)
LC3BX	270729	3"	Bulk - Brown	54	18	2.82
LC3WX	270712	3"	Bulk - White	54	18	2.82
LC4BX	270743	4"	Bulk - Brown	54	18	2.82
LC4BXZW	270743	4"	Bulk / Cut Case - Brown	10	3	0.56
LC4BZW	271153	4"	Retail Bag / Cut Case - Brown	10	3	0.56
LC4WX	270736	4"	Bulk - White	54	18	2.82
LC4WXZW	270736	4"	Bulk / Cut Case - White	10	3	0.56
LC4WZW	271146	4"	Retail Bag / Cut Case - White	10	3	0.56
LC5BX	270910	5"	Bulk - Brown	36	22	3.60
LC5WX	270903	5"	Bulk - White	36	22	3.60
LC6BX	270934	6"	Bulk - Brown	36	22	3.60
LC6WX	270927	6"	Bulk - White	36	22	3.60
LC7BX	271108	7"	Bulk - Brown	32	27	5.07
LC7BXZ	271108	7"	Bulk - Brown	7	4.5	1.17
LC7WX	271092	7"	Bulk - White	32	27	5.07
LC7WXZ	271092	7"	Bulk - White	7	4.5	1.17
LC8BX	271122	8"	Bulk - Brown	32	27	5.07
LC8BXZ	271122	8"	Bulk - Brown	7	4.5	1.17
LC8WX	271115	8"	Bulk - White	32	27	5.07
LC8WXZ	271115	8"	Bulk - White	7	4.5	1.17

Material: Polypropylene with UV inhibitor
Collar Sizes: 3", 4", 5", 6", 7", 8"

Collar Size	Dimensions		
	H	W	D
3", 4"	7"	6.25"	0.85"
5", 6"	10"	9.375"	1.5"
7", 8"	12.5"	10.75"	1.75"

Scan this QR code to view installation, feature and benefit videos





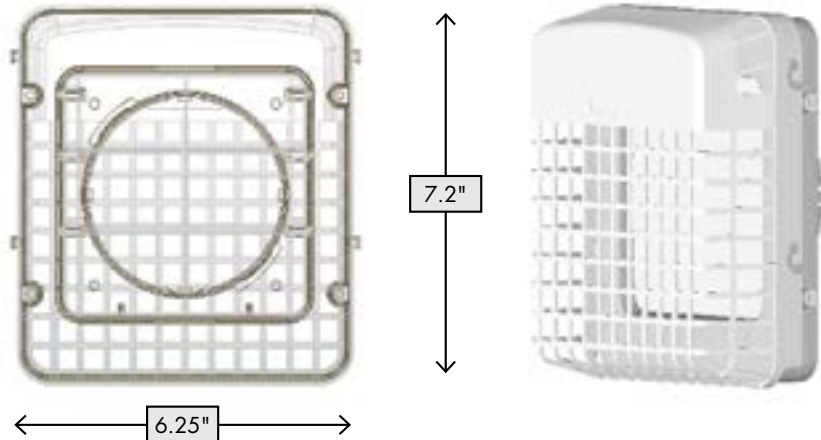
- Cammed louvers easily pivot to help prevent sticking
- Low profile pest guard can be easily removed for cleaning
- Can be painted to match the home's exterior
- UV resistant plastic protects cap from harmful effects of the sun
- Molded caulk edge assists the installer in maintaining a clean caulking application and finished look

Product Code	UPC Code 060672	Size	Packaging	Pack Qty.	Pack Wt. (lbs)	Pack Cube (cu. ft.)
PGC4BX	602094	4"	Bulk - Brown	40	21	3.07
PGC4WX	602032	4"	Bulk - White	40	21	3.07
PGC4WXZW	602117	4"	Bulk / Cut Case - White	4	2	0.50

Material: Polypropylene with UV inhibitor
Collar Sizes: 4"



Scan this QR code to view installation, feature and benefit videos



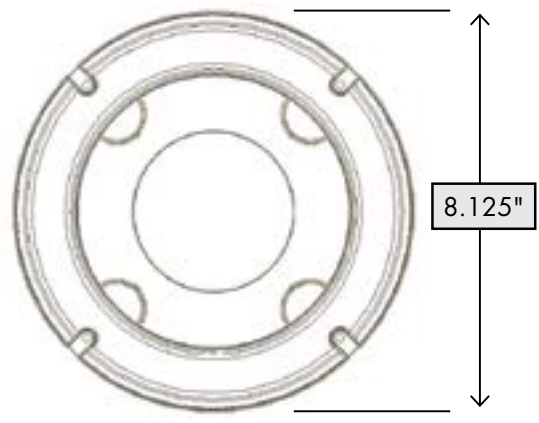


- Spring loaded damper system offers complete noise control with no flapping of louvers or dampers during inclement weather
- Prevents pests from entering the vent
- Center shield can be removed for ease of cleaning
- UV resistant plastic protects cap from harmful effects of the sun
- Molded caulk edge assists the installer in maintaining a clean caulking application and finished look and replacement

Product Code	UPC Code 060672	Size	Packaging	Pack Qty.	Pack Wt. (lbs)	Pack Cube (cu. ft.)
PSC4WX	801039	4"	Bulk - White	36	14	3.87

Material: Polypropylene with UV inhibitor
Collar Sizes: 4"

Scan this QR code to view installation, feature and benefit videos



SOFFIT EXHAUST VENT



- Mounts under soffit panel and connects to 4", 5" or 6" duct
- Frost-free damper system keeps cold air out and helps conserve energy
- Can be painted to match the home's exterior
- Stylish flush mount design
- Outer grill and flap prevents pests from entering the home
- UV resistant plastic protects cap from harmful effects of the sun

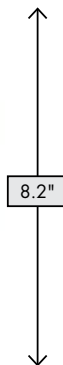
Product Code	UPC Code 060672	Size	Packaging	Pack Qty.	Pack Wt. (lbs)	Pack Cube (cu. ft.)
SEVPX	800025	4", 5", 6"	Bulk	20	14	3.07
SEVZW	800018	4", 5", 6"	Retail Box / Cut Case	5	5	0.89

Material: Polypropylene with UV inhibitor

Collar Sizes: 4", 5", 6"



Scan this QR code to view installation, feature and benefit videos



SOFFIT DRYER VENT CAP



- Allows for the dryer to be exhausted through the soffit instead of the wall
- UV resistant plastic protects cap from harmful effects of the sun
- Can be painted to match the home's exterior
- Damper acts as a guard against pests and rodents from entering the duct

Product Code	UPC Code 060672	Size	Packaging	Pack Qty.	Pack Wt. (lbs)	Pack Cube (cu. ft.)
SDV4WXZW4	800049	4"	Bulk / Cut Case	4	2.5	1.00

Material: Polypropylene with UV inhibitor
Collar Sizes: 4"

Scan this QR code to view
installation, feature and
benefit videos





- Helps to prevent unwanted pests from entering the duct or home
- This product is on a hinged frame and locks in the open position for easy removal and cleaning of any lint and debris that forms on the cap, pest barricade and duct

Product Code	UPC Code 060672	Size	Packaging	Pack Qty.	Pack Wt. (lbs)	Pack Cube (cu. ft.)
PBH50BZW	602131	4"	Bulk - Cut Case - Brown	10	3.6	0.80
PB50BWZW	602124	4"	Bulk - Cut Case - White	10	3.6	0.80

Material: High Impact Polystyrene
Collar Sizes: 4"



Scan this QR code to view installation, feature and benefit videos



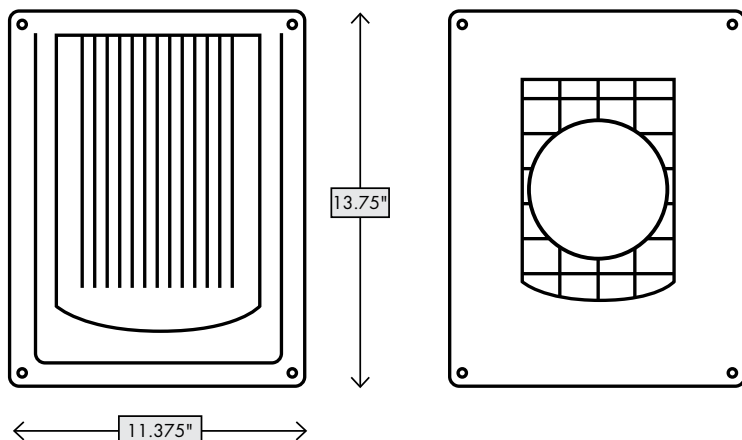


- Ideal for exhausting kitchen or bathroom fans through the roof
- UV resistant stabilizer helps prevent discoloration
- Molded barrier ring helps prevent leakage
- Includes a removable collar for easy duct connection / installation

Product Code	UPC Code 060672	Size	Packaging	Pack Qty.	Pack Wt. (lbs)	Pack Cube (cu. ft.)
RL4P	245208	4"	Bulk - Black	4	6	2.29
RL4PZW	245215	4"	Bulk / Cut Case - Black	4	6	2.04
RL4BNP	245253	4"	Bulk - Brown	4	6	2.29
RL4BNPZW	245253	4"	Bulk / Cut Case - Brown	4	6	2.04
RL6P	245017	6"	Bulk - Black	4	6	2.29
RL6PZW	245024	6"	Bulk / Cut Case - Black	4	6	2.04
RL6BNP	245055	6"	Bulk - Brown	4	6	2.29
RL6BNPZW	245055	6"	Bulk / Cutcase - Brown	4	6	2.04

Material: High Impact Copolymer
Collar Sizes: 4" and 6"

Scan this QR code to view
 installation, feature and
 benefit videos





REPLACEMENT VENT CAP AND GASKET KIT

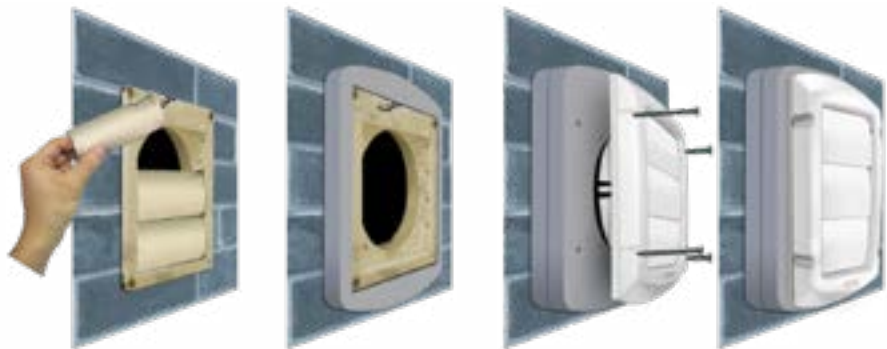


- Quick and easy solution for damaged or hard to remove vent caps
- New vent cap installs over the existing one, eliminating the need for removal
- Eliminates the possibility of damage to the siding, brick or stucco through removal process of old cap
- Fits all existing louvered 4" vent caps
- Kit can be used with Dundas Jafine ProVent, ProGard, EzAccess and ProMax products

Product Code	UPC Code 060672	Size	Packaging	Pack Qty.	Pack Wt. (lbs)	Pack Cube (cu. ft.)
EZFXZW	803002	4"	Retail Box / Cut Case - White	8	4	0.09

Material: Polypropylene with UV inhibitor
Collar Sizes: 4"

Scan this QR code to view
 installation, feature and
 benefit videos



DUCTS





- Ideal for both gas and electric dryer applications
- UL2158A listed and marked for safe dryer venting
- Constructed of heavy duty, fire resistant aluminum foil laminate that encapsulates a high density, corrosion resistant wire helix

NOTE:
Per UL2158A, only ducts 8' or less can be UL marked

Product Code	UPC Code 060672	Size	Packaging	Pack Qty.	Pack Wt. (lbs)	Pack Cube (cu. ft.)
BTD45	600052	4" x 5'	Retail Box	18	16	1.44
BTD48	600106	4" x 8'	Retail Box	18	18	1.44
BTD48ZW	600106	4" x 8'	Retail Box / Cut Case	24	21	1.50
BTD48TC	600090	4" x 8' with tension clamps	Retail Box	18	18	1.44
BTD420ZW	600212	4" x 20'	Retail Box / Cut Case	10	21	2.37
TD425	600250	4" x 25'	Standard Box	1	3	0.44
TD450	600304	4" x 50'	Standard Box	1	6	0.60



Scan this QR code to view installation, feature and benefit videos



SEMI-RIGID ALUMINUM DRYER DUCTS



- All aluminum duct is ideal for applications where code requires an all aluminum product
- Totally non combustible with a maximum operating temperature of 435°F
- The UL 2158A listed and marked class 0 version is thicker than the standard duct and incorporates new technology that allows for easy rotation and more durable handling

Product Code	UPC Code 060672	Size	Packaging	Pack Qty.	Pack Wt. (lbs)	Pack Cube (cu. ft.)
MFX45	130672	4" x 5'	Retail Bag	10	8	3.14
MFX45X	130733	4" x 5'	Bulk	10	7	3.14
MFX46C2XZW	132003	4" x 6' with collars	Bulk / Cut Case	16	13	5.14
MFX48	130689	4" x 8'	Retail Bag	10	10	3.14
MFX48ULXZW	134779	4" x 8' UL listed and marked	Bulk / Cut Case	16	16.5	5.14
MFX48X	134670	4" x 8'	Bulk	10	10	3.14
MFX48XZW	137015	4" x 8'	Bulk / Cut Case	16	13	5.14
MFX425X	137510	4" x 25'	Bulk	4	12	5.13

Scan this QR code to view
installation, feature and
benefit videos



SPACE SAVER ALUMINUM DRYER VENTING DUCT

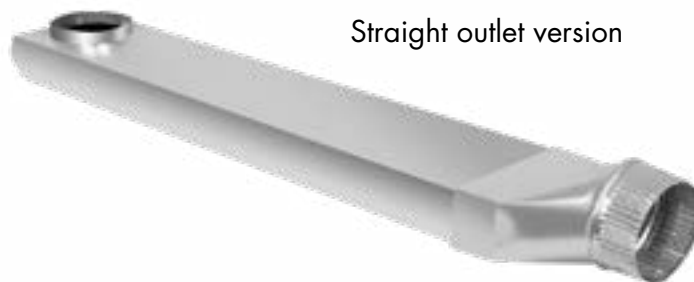


- For use in tight fitting clothes dryer applications
- Allows the dryer to be placed only 3" from the wall, for optimum space utilization
- Two piece aluminum construction
- Extends from 28" - 45" in length

Product Code	UPC Code 060672	Size	Packaging	Pack Qty.	Pack Wt. (lbs)	Pack Cube (cu. ft.)
UD48	500260	4"/90° inlet, 90° outlet	Retail Box	4	8	2.06
UD48S	500277	4"/90° inlet, straight outlet	Retail Box	4	8	2.06



Scan this QR code to view installation, feature and benefit videos



Straight outlet version

ALUMINUM SNAP LOCK PIPE



- Incorporates a snap lock feature for easy opening and closing of pipe
- Used for venting most types of heating units
- Should not be used for in-wall applications

Product Code	UPC Code 060672	Size	Packaging	Pack Qty.	Pack Wt. (lbs)	Pack Cube (cu. ft.)
P3E20ZW	300822	3" x 24" - 0.012"	Bulk / Cut Case	20	6	0.95
P3E	130146	3" x 24" - 0.012"	Bulk	40	12	0.77
P4E20ZW	300815	4" x 24" - 0.012"	Bulk / Cut Case	20	9	0.95
P4E	130139	4" x 24" - 0.012"	Bulk	40	17	0.77
P430	130177	4" x 30" - 0.012"	Bulk	20	10	0.80
P460	300754	4" x 60" - 0.012"	Bulk	20	20	0.83

Scan this QR code to view
installation, feature and
benefit videos



MARINE BLOWER HOSE



- Used in marine exhaust applications
- Manufactured with heavy duty PVC film, encompassing a high density, corrosion resistant, wire helix
- Tear and puncture resistant

Product Code	UPC Code 060672	Size	Packaging	Pack Qty.	Pack Wt. (lbs)	Pack Cube (cu. ft.)
FD350BK	400805	3" x 50'	Standard Carton	1	4	0.54
FD450BK	400812	4" x 50'	Standard Carton	1	4	0.54



Scan this QR code to view
installation, feature and
benefit videos

SEMI-RIGID ALUMINUM DUCT



- All aluminum duct is ideal for applications where code requires an all aluminum product
- Totally non combustible with a maximum operating temperature of 435°F
- The UL 2158A listed and marked class 0 version is thicker than the standard duct and incorporates new technology that allows for easy rotation and more durable handling

Product Code	UPC Code 060672	Size	Packaging	Pack Qty.	Pack Wt. (lbs)	Pack Cube (cu. ft.)
MFX38	130702	3" x 8'	Retail Bag	10	8	2.01
MFX38X	133680	3" x 8'	Bulk	10	8	2.01
MFX38XZW	130702	3" x 8'	Bulk / Cut Case	12	10	2.37
MFX325X	137503	3" x 25'	Bulk	5	11	5.13
MFX45	130672	4" x 5'	Retail Bag	10	8	3.14
MFX45X	130733	4" x 5'	Bulk	10	7	3.14
MFX46C2XZW	132003	4" x 6' with collars	Bulk / Cut Case	16	13	5.14
MFX48	130689	4" x 8'	Retail Bag	10	10	3.14
MFX48ULXZW	134779	4" x 8' UL listed & marked	Bulk / Cut Case	16	16.5	5.14
MFX48X	134670	4" x 8'	Bulk	10	10	3.14
MFX48XZW	137015	4" x 8'	Bulk / Cut Case	16	13	5.14
MFX425X	137510	4" x 25'	Bulk	4	12	5.13
MFX58	135677	5" x 8'	Retail Bag	6	8	2.92
MFX58X	135684	5" x 8'	Bulk	6	8	2.92
MFX58XZW	130832	5" x 8'	Bulk / Cut Case	6	8	2.92
MFX68	130696	6" x 8'	Retail Bag	4	7	2.79
MFX68X	135707	6" x 8'	Bulk	4	7	2.79
MFX68XZW	130795	6" x 8'	Bulk / Cut Case	4	7	3.12
MFX78X	137688	7" x 8'	Bulk	5	10	5.18
MFX88X	138685	8" x 8'	Bulk	4	9	5.18

Scan this QR code to view
installation, feature and
benefit videos

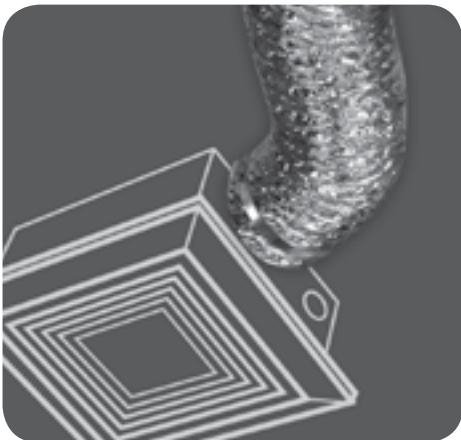


FLEXIBLE ALUMINUM FOIL DUCT



- Ideal for use in bathroom fan venting and other general purpose exhaust applications
- Made from 3 ply aluminum foil laminate
- Maximum operating temperature of 250°F

Product Code	UPC Code 060672	Size	Packaging	Pack Qty.	Pack Wt. (lbs)	Pack Cube (cu. ft.)
AF325	133000	3" x 25'	Standard Carton	1	2	0.44
AF425	133017	4" x 25'	Standard Carton	1	2	0.44
AF450	133253	4" x 50'	Standard Carton	1	4	0.60
AF525	133048	5" x 25'	Standard Carton	1	3	0.44
AF625	133055	6" x 25'	Standard Carton	1	3	0.45
AF725	133079	7" x 25'	Standard Carton	1	4	0.45
AF825	133086	8" x 25'	Standard Carton	1	4	0.72
AF1025	133109	10" x 25'	Standard Carton	1	5	1.22
AF1225	133116	12" x 25'	Standard Carton	1	7	1.22
AF1425	133178	14" x 25'	Standard Carton	1	8	1.44
AF1625	133185	16" x 25'	Standard Carton	1	9	1.98
AF1825	133192	18" x 25'	Standard Carton	1	11	2.48
AF2025	133208	20" x 25'	Standard Carton	1	12	2.72



Scan this QR code to view installation, feature and benefit videos

FLEXIBLE ALUMINUM FOIL DUCT

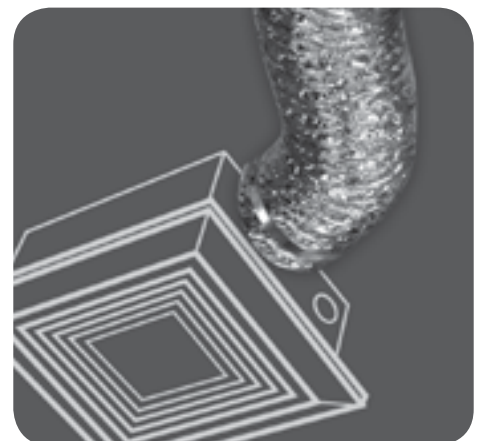
UL 181 LISTED & MARKED



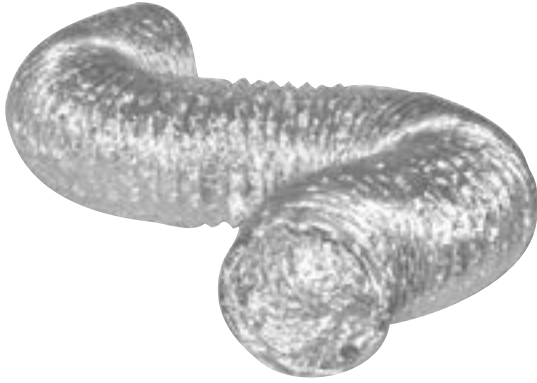
- Ideal for use in bathroom fan venting and other general purpose exhaust applications
- Made from 3 ply aluminum foil laminate
- Maximum operating temperature of 250°F

Product Code	UPC Code 060672	Size	Packaging	Pack Qty.	Pack Wt. (lbs)	Pack Cube (cu. ft.)
AF325UL	136032	3" x 25'	Standard Carton	1	2	0.44
AF325ULPZ	133277	3" x 25'	Polybag	4	8	1.26
AF425UL	136049	4" x 25'	Standard Carton	1	2	0.44
AF425ULPZW	133260	4" x 25'	Polybag / Cut Case	8	17	2.13
AF450UL	136216	4" x 50'	Standard Carton	1	4	0.60
AF525UL	136056	5" x 25'	Standard Carton	1	3	0.44
AF625UL	136063	6" x 25'	Standard Carton	1	3	0.45
AF625ULPZW	136292	6" x 25'	Polybag / Cut Case	6	10	2.28
AF725UL	136070	7" x 25'	Standard Carton	1	4	0.45
AF825UL	136087	8" x 25'	Standard Carton	1	4	0.72
AF1025UL	136100	10" x 25'	Standard Carton	1	5	1.22
AF1225UL	136124	12" x 25'	Standard Carton	1	7	1.22
AF1425UL	136148	14" x 25'	Standard Carton	1	8	1.44
AF1625UL	136162	16" x 25'	Standard Carton	1	9	1.98
AF1825UL	136186	18" x 25'	Standard Carton	1	11	2.48
AF2025UL	136209	20" x 25'	Standard Carton	1	12	2.72

Scan this QR code to view
installation, feature and
benefit videos



FLEXIBLE METALIZED FOIL DUCT



- Ideal for general purpose exhaust applications
- Made from 2 ply metallized foil and polyester
- Maximum operating temperature of 250°F

Product Code	UPC Code 060672	Size	Packaging	Pack Qty.	Pack Wt. (lbs)	Pack Cube (cu. ft.)
MC425	510016	4" x 25'	Standard Carton	1	2	0.44
MC525	510023	5" x 25'	Standard Carton	1	3	0.44
MC625	520008	6" x 25'	Standard Carton	1	3	0.45
MC825	520015	8" x 25'	Standard Carton	1	4	0.72
MC1025	520022	10" x 25'	Standard Carton	1	5	1.22
MC1225	520039	12" x 25'	Standard Carton	1	7	1.22

UL 181 LISTED & MARKED

Product Code	UPC Code 060672	Size	Packaging	Pack Qty.	Pack Wt. (lbs)	Pack Cube (cu. ft.)
MC325UL	520190	3" x 25'	Standard Carton	4	8	1.47
MC425UL	520206	4" x 25'	Standard Carton	4	8	1.47
MC525UL	520213	5" x 25'	Standard Carton	4	10	1.07
MC625UL	520220	6" x 25'	Standard Carton	4	10	1.61
MC725UL	520237	7" x 25'	Standard Carton	4	11	1.98
MC825UL	520244	8" x 25'	Standard Carton	4	12	2.55
MC925UL	520503	9" x 25'	Standard Carton	4	14	5.13
MC1025UL	520251	10" x 25'	Standard Carton	4	16	5.13
MC1225UL	520268	12" x 25'	Standard Carton	2	14	2.81
MC1425UL	520275	14" x 25'	Standard Carton	2	15	2.75
MC1625UL	520282	16" x 25'	Standard Carton	2	17	2.75
MC1825UL	520299	18" x 25'	Standard Carton	1	11	2.98
MC2025UL	520305	20" x 25'	Standard Carton	1	11	2.37



Scan this QR code to view installation, feature and benefit videos



- Ideal for general purpose exhaust applications including bathroom fan venting and surface mounted humidifier units
- Made from 2 ply grey vinyl

NOTE:
Do not use for dryer venting applications

Product Code	UPC Code 060672	Size	Packaging	Pack Qty.	Pack Wt. (lbs)	Pack Cube (cu. ft.)
GFD425	400881	4" x 25'	Standard Carton	1	3	0.44
GFD525	400898	5" x 25'	Standard Carton	1	4	0.44
GFD625	400904	6" x 25'	Standard Carton	1	4	0.45
GFD825	400928	8" x 25'	Standard Carton	1	5	0.72

Scan this QR code to view
installation, feature and
benefit videos



WHITE VINYL DUCT



- Ideal for general purpose exhaust applications including bathroom fan venting and surface mounted humidifier units

NOTE:
Do not use for dryer venting applications

Product Code	UPC Code 060672	Size	Packaging	Pack Qty.	Pack Wt. (lbs)	Pack Cube (cu. ft.)
FD38EZW	130467	3" x 8'	Retail Bag / Cut Case	10	6	3.35
FD310E	230563	3" x 10'	Retail Bag	10	8	0.90
FD350E	130580	3" x 50'	Standard Carton	1	4	0.54
FD420ZW	130863	4" x 20'	Retail Bag / Cut Case	12	19	1.77
FD450E	131464	4" x 50'	Standard Carton	1	5	0.54
FD610EZW	130856	6" x 10'	Polybag / Cut Case	4	5	0.90



Scan this QR code to view installation, feature and benefit videos



INSULATED DUCT - BLACK POLYETHYLENE JACKET

UL 181 CLASS 1 AIR CONNECTOR



- UL / cUL 181 listed as a class 1 air connector
- Ideal for use in general ventilation applications including heating, air conditioning, intake and exhaust.
- Helps to reduce heat and cool loss as well as condensation build up that can occur in non-insulated ducts
- Polyester core and black polyethylene jacket

Product Code	UPC Code 060672	Size	Packaging	Pack Qty.	Pack Wt. (lbs)	Pack Cube (cu. ft.)
XPC325	540013	3" x 25'	Standard Box	1	6	1.40
XPC410	540518	4" x 10'	Standard Box	1	3	0.70
XPC425	540020	4" x 25'	Standard Box	1	6	1.40
XPC525	540037	5" x 25'	Standard Box	1	7	1.40
XPC610	540532	6" x 10'	Standard Box	1	4	0.70
XPC625	540044	6" x 25'	Standard Box	1	7	1.40
XPC725	540051	7" x 25'	Standard Box	1	8	2.10
XPC825	540068	8" x 25'	Standard Box	1	9	2.10

Scan this QR code to view
installation, feature and
benefit videos



INSULATED DUCT - BLACK POLYETHYLENE JACKET

UL 181 CLASS 1 AIR DUCT



- UL / cUL 181 listed as a class 1 air duct
- UV inhibited black polyethylene jacket
- Formaldehyde free, energy efficient fibreglass insulation
- Inner core constructed with corrosion resistant galvanized wire

R-4.2 INSULATION

Product Code	UPC Code 060672	Size	Packaging	Pack Qty.	Pack Wt. (lbs)	Pack Cube (cu. ft.)
BPC325	287000	3" x 25'	Standard Carton	1	6	1.40
BPC425	287130	4" x 25'	Standard Carton	1	6	1.40
BPC525	287116	5" x 25'	Standard Carton	1	7	1.40
BPC625	287017	6" x 25'	Standard Carton	1	7	1.40
BPC725	287024	7" x 25'	Standard Carton	1	8	2.10
BPC825	287123	8" x 25'	Standard Carton	1	9	2.10
BPC925	287109	9" x 25'	Standard Carton	1	10	2.93
BPC1025	287031	10" x 25'	Standard Carton	1	11	2.93
BPC1225	287048	12" x 25'	Standard Carton	1	13	3.91
BPC1425	287055	14" x 25'	Standard Carton	1	17	6.26
BPC1625	287062	16" x 25'	Standard Carton	1	20	6.26
BPC1825	287079	18" x 25'	Standard Carton	1	22	9.18
BPC2025	287086	20" x 25'	Standard Carton	1	24	9.18

R-6.0 INSULATION

Product Code	UPC Code 060672	Size	Packaging	Pack Qty.	Pack Wt. (lbs)	Pack Cube (cu. ft.)
BPC425R6	606016	4" x 25'	Standard Carton	1	9	1.98
BPC525R6	606023	5" x 25'	Standard Carton	1	11	1.98
BPC625R6	606030	6" x 25'	Standard Carton	1	11	1.98
BPC725R6	606047	7" x 25'	Standard Carton	1	12	1.98
BPC825R6	606054	8" x 25'	Standard Carton	1	14	2.80
BPC925R6	606122	9" x 25'	Standard Carton	1	16	2.80
BPC1025R6	606061	10" x 25'	Standard Carton	1	17	3.77
BPC1225R6	606078	12" x 25'	Standard Carton	1	20	3.77
BPC1425R6	606085	14" x 25'	Standard Carton	1	26	4.88
BPC1625R6	606092	16" x 25'	Standard Carton	1	31	7.54
BPC1825R6	606108	18" x 25'	Standard Carton	1	34	7.54
BPC2025R6	606115	20" x 25'	Standard Carton	1	37	10.77

INSULATED DUCT - BLACK POLYETHYLENE JACKET

UL 181 CLASS 1 AIR DUCT



- UL / cUL 181 listed as a class 1 air duct
- UV inhibited black polyethylene jacket
- Formaldehyde free, energy efficient fibreglass insulation
- Inner core constructed with corrosion resistant galvanized wire

R-8.0 INSULATION

Product Code	UPC Code 060672	Size	Packaging	Pack Qty.	Pack Wt. (lbs)	Pack Cube (cu. ft.)
BPC425R8	700011	4" x 25'	Standard Carton	1	10	2.67
BPC525R8	700028	5" x 25'	Standard Carton	1	11	2.67
BPC625R8	700035	6" x 25'	Standard Carton	1	12	2.67
BPC725R8	700042	7" x 25'	Standard Carton	1	14	3.63
BPC825R8	700059	8" x 25'	Standard Carton	1	15	3.63
BPC925R8	700066	9" x 25'	Standard Carton	1	16	4.74
BPC1025R8	700073	10" x 25'	Standard Carton	1	19	4.74
BPC1225R8	700080	12" x 25'	Standard Carton	1	21	6.00
BPC1425R8	700097	14" x 25'	Standard Carton	1	24	8.96
BPC1625R8	700103	16" x 25'	Standard Carton	1	26	8.96
BPC1825R8	700110	18" x 25'	Standard Carton	1	29	12.52

Scan this QR code to view
installation, feature and
benefit videos



INSULATED DUCT - SILVER JACKET WITH REINFORCED SCRIM

UL 181 CLASS 1 AIR DUCT



- UL / cUL 181 listed as a class 1 air duct
- Metalized, tear resistant silver jacket is UV and fire resistant
- Formaldehyde free, energy efficient fibreglass insulation
- Inner core constructed with corrosion resistant, galvanized wire
- Ideal for attic installations

R-4.2 INSULATION

Product Code	UPC Code 060672	Size	Packaging	Pack Qty.	Pack Wt. (lbs)	Pack Cube (cu. ft.)
SPC425	530014	4" x 25'	Standard Carton	1	6	1.40
SPC525	530021	5" x 25'	Standard Carton	1	7	1.40
SPC625	530038	6" x 25'	Standard Carton	1	8	1.40
SPC725	530045	7" x 25'	Standard Carton	1	10	2.10
SPC825	530052	8" x 25'	Standard Carton	1	11	2.10
SPC925	530069	9" x 25'	Standard Carton	1	11	2.93
SPC1025	530076	10" x 25'	Standard Carton	1	11	2.93
SPC1225	530083	12" x 25'	Standard Carton	1	12	3.91
SPC1425	530090	14" x 25'	Standard Carton	1	18	6.26
SPC1625	530106	16" x 25'	Standard Carton	1	20	6.26
SPC1825	530113	18" x 25'	Standard Carton	1	22	9.18
SPC2025	530120	20" x 25'	Standard Carton	1	24	9.18

R-6.0 INSULATION

Product Code	UPC Code 060672	Size	Packaging	Pack Qty.	Pack Wt. (lbs)	Pack Cube (cu. ft.)
SPC425R6	530502	4" x 25'	Standard Carton	1	9	1.98
SPC525R6	530519	5" x 25'	Standard Carton	1	11	1.98
SPC625R6	530526	6" x 25'	Standard Carton	1	12	1.98
SPC725R6	530533	7" x 25'	Standard Carton	1	15	2.80
SPC825R6	530540	8" x 25'	Standard Carton	1	17	2.80
SPC925R6	530618	9" x 25'	Standard Carton	1	18	3.77
SPC1025R6	530557	10" x 25'	Standard Carton	1	19	3.77
SPC1225R6	530564	12" x 25'	Standard Carton	1	20	4.88
SPC1425R6	530571	14" x 25'	Standard Carton	1	28	7.54
SPC1625R6	530588	16" x 25'	Standard Carton	1	31	7.54
SPC1825R6	530595	18" x 25'	Standard Carton	1	34	10.77
SPC2025R6	530601	20" x 25'	Standard Carton	1	37	10.77

INSULATED DUCT - SILVER JACKET WITH REINFORCED SCRIM INSULATION UL 181 CLASS 1 AIR DUCT



- UL / cUL 181 listed as a class 1 air duct
- Metalized, tear resistant silver jacket is UV and fire resistant
- Formaldehyde free, energy efficient fibreglass insulation
- Inner core constructed with corrosion resistant, galvanized wire
- Ideal for attic installations

R-8 INSULATION

Product Code	UPC Code 060672	Size	Packaging	Pack Qty.	Pack Wt. (lbs)	Pack Cube (cu. ft.)
SPC425R8	530700	4" x 25'	Standard Carton	1	10	2.67
SPC525R8	530717	5" x 25'	Standard Carton	1	11	2.67
SPC625R8	530724	6" x 25'	Standard Carton	1	12	2.67
SPC725R8	530731	7" x 25'	Standard Carton	1	14	3.63
SPC825R8	530748	8" x 25'	Standard Carton	1	15	3.63
SPC925R8	530755	9" x 25'	Standard Carton	1	16	4.74
SPC1025R8	530762	10" x 25'	Standard Carton	1	19	4.74
SPC1225R8	530779	12" x 25'	Standard Carton	1	21	6.00
SPC1425R8	530786	14" x 25'	Standard Carton	1	24	8.96
SPC1625R8	530793	16" x 25'	Standard Carton	1	26	8.96
SPC1825R8	530809	18" x 25'	Standard Carton	1	29	12.54

Scan this QR code to view
installation, feature and
benefit videos



A central collage of various white plastic air distribution products, including vent hoods, caps, and duct connectors, set against a dark blue background with glowing light trails.

AIR distribution PRODUCT innovation for over 80 YEARS



EzAccess™

DRYER VENT HOOD

Hinged cap opens and closes for easy cleaning of lint and debris



EzFix

REPLACEMENT VENT CAP AND GASKET KIT

Hard to replace vent caps? No longer a problem



EzConnect

DRYER DUCT TO WALL CONNECTOR

Provides a secure connection of the dryer duct to the wall

KITS



NUT DRIVER READY!

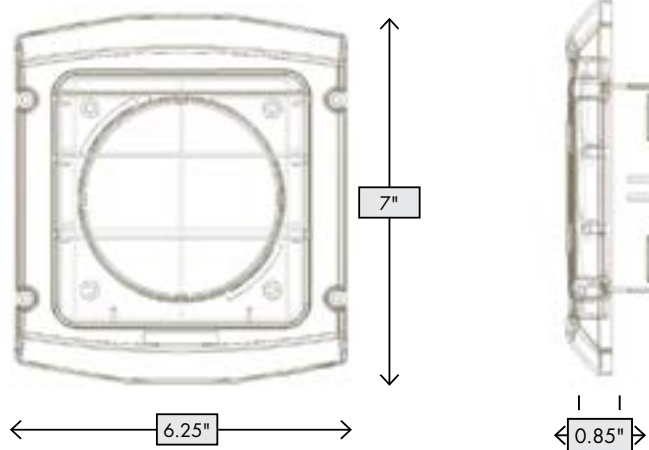


- Includes 4" x 8' ProFlex™ 2158A UL listed and marked transition duct, 2 plastic adjustable clamps and a 4" ProVent™ exhaust hood
- Cammed louvers on ProVent™ cap easily pivot to help prevent sticking
- Snap on aluminum pipe to cap assembly eliminates the need for lint trapping staples
- Cap can be painted to match the home's exterior
- UV resistant plastic protects cap from harmful effects of the sun
- Molded caulk edge assists the installer in maintaining a clean caulking application and finished look

Product Code	UPC Code 060672	Size	Packaging	Pack Qty.	Pack Wt. (lbs.)	Pack Cube (cu. ft.)
TD48PVKZW	268184	4" x 8' Duct	Retail Box / Cut Case	12	15	3.85
TD48PVKZW6	268184	4" x 8' Duct	Retail Box / Cut Case	6	7.5	1.92



Scan this QR code to view installation, feature and benefit videos



NUT DRIVER READY!



- Includes 4" x 8' ProFlex™ 2158A UL listed and marked transition duct, 2 plastic adjustable clamps and a 4" ProMax™ exhaust hood
- Removable pest screen on ProMax™ cap allows for easy cleaning of lint and debris
- Snug fit backdraft damper has been redesigned for superior noise reduction
- Snap on aluminum pipe to cap assembly eliminates the need for lint trapping staples
- Cap can be painted to match the home's exterior
- UV resistant plastic protects cap from harmful effects of the sun

Product Code	UPC Code 060672	Size	Packaging	Pack Qty.	Pack Wt. (lbs)	Pack Cube (cu. ft.)
TD48PMKZW	268160	4" x 8' Duct	Retail Box / Cut Case	12	17	3.85
TD48PMKZW6	268160	4" x 8' Duct	Retail Box / Cut Case	6	8.5	1.92



Scan this QR code to view installation, feature and benefit videos



7"



4.25"



ProGard™ DRYER VENT KIT

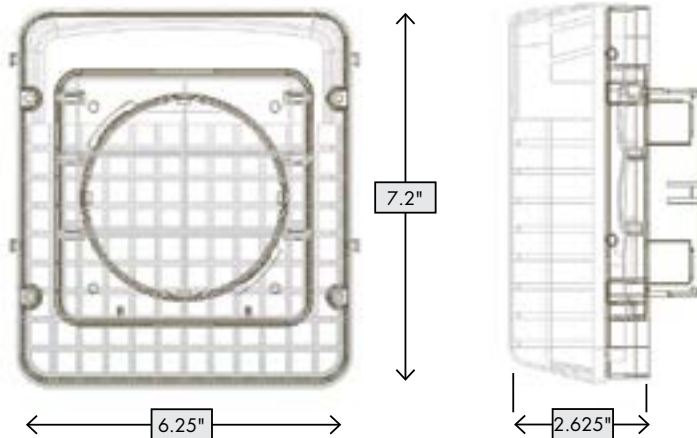


- Includes 4" x 8' ProFlex™ 2158A UL listed transition duct, 2 plastic adjustable clamps and a 4" ProGard™ exhaust hood
- Cammed louvers on ProGard™ cap easily pivot to help prevent sticking
- Low profile pest guard can be easily removed for cleaning
- UV resistant plastic protects cap from harmful effects of the sun
- Molded caulk edge assists the installer in maintaining a clean caulking application and finished look
- Designed to snap on/off j-channels for ease of installation and replacement

Product Code	UPC Code 060672	Size	Packaging	Pack Qty.	Pack Wt. (lbs.)	Pack Cube (cu. ft.)
TD48PGKZW	602063	4" x 8' Duct	Retail Box / Cut Case	12	16	3.85
TD48PGKZW6	602063	4" x 8' Duct	Retail Box / Cut Case	6	8	1.92



Scan this QR code to view installation, feature and benefit videos



INDOOR DRYER VENT KIT



- Used to vent electric clothes dryers indoors when outdoor venting is not possible
- Includes 4" x 5' flexible aluminum foil duct, 2 plastic clamps, plastic lint reservoir and optional mounting ring
- Ideal for use in apartments, condominiums and R.V.s

NOTE:
Do not use for gas dryer venting applications

Product Code	UPC Code	Size	Packaging	Pack Qty.	Pack Wt. (lbs)	Pack Cube (cu. ft.)
TDIDVKZW	420346	4" x 5' - Flexible Aluminum Foil Duct	Retail Box / Cut Case	12	15	2.39

Scan this QR code to view installation, feature and benefit videos



ProVent™ SEMI-RIGID ALUMINUM DRYER VENT KIT



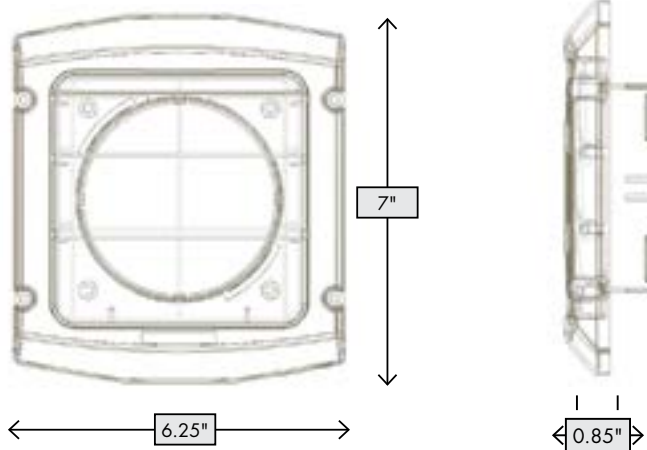
NUT DRIVER READY!

- Ideal for use in electric and gas clothes dryer venting applications
- Includes 4" x 8' semi-rigid aluminum duct, 2 metal clamps and a 4" ProVent™ exhaust hood
- Cammed louvers on ProVent™ cap easily pivot to help prevent sticking
- UV resistant plastic protects the cap from harmful effects of the sun

Product Code	UPC Code 060672	Size	Packaging	Pack Qty.	Pack Wt. (lbs.)	Pack Cube (cu. ft.)
MLFVK48E	131686	4" x 8' Duct	Retail Box	4	10	3.26



Scan this QR code to view installation, feature and benefit videos



ProVent™ WALL STYLE BATHROOM FAN VENT KIT

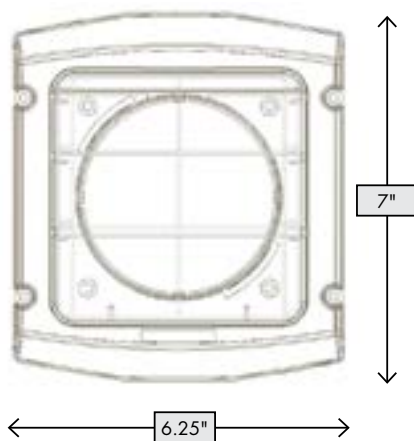


NUT DRIVER READY!

- Ideal for bathroom fan venting applications that require a wall style installation
- Includes 4" x 5' vinyl duct, 2 plastic adjustable clamps, 3" - 4" foam adapter and a 4" ProVent™ exhaust hood
- Cammed louvers on ProVent™ cap easily pivot to help prevent sticking
- UV resistant plastic protects the cap from harmful effects of the sun

Product Code	UPC Code 060672	Size	Packaging	Pack Qty.	Pack Wt. (lbs)	Pack Cube (cu. ft.)
EXWTZW	240012	4" x 5' Vinyl Duct	Retail Box / Cut Case	6	7.32	1.56

Scan this QR code to view installation, feature and benefit videos



ROOF STYLE BATHROOM FAN VENT KIT

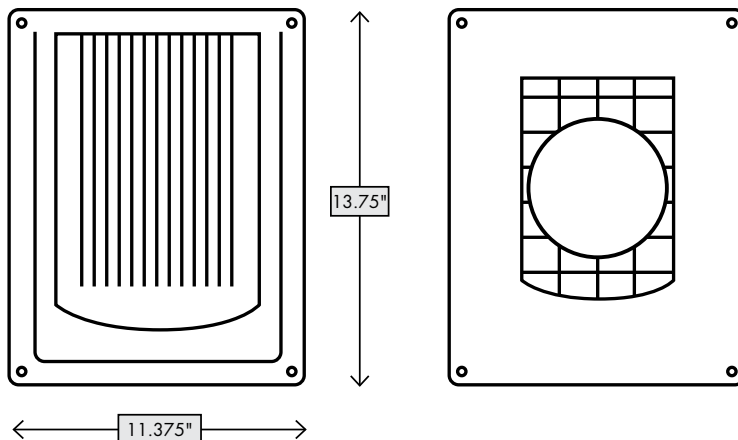


- Ideal for bathroom fan venting that requires a roof style installation
- Includes 4" x 8' vinyl duct, 2 plastic adjustable clamps, a 3" - 4" foam adapter and a 4" black roof exhaust cap
- Roof cap is made from high impact copolymer with a UV stabilizer to help prevent discoloration
- Roof cap has molded barrier ring to prevent leakage

Product Code	UPC Code 060672	Size	Packaging	Pack Qty.	Pack Wt. (lbs.)	Pack Cube (cu. ft.)
EXRT	240029	4" x 8' Vinyl Duct	Retail Box	2	5	1.03



Scan this QR code to view installation, feature and benefit videos



CLOTHES DRYER FIRE PREVENTION

Potential fire hazards often go undetected because the proper steps are not taken to fire proof the home. Homeowners may not be aware that their clothes dryer can be just as dangerous as an unattended lit stove, so Dundas Jafine is committed to educating consumers about the potential risks of dryer fires and the products we sell to help prevent them.



OVER 15,000 DRYER FIRES OCCUR EVERY YEAR

According to the National Fire Protection Association, the leading cause of home clothes dryer fires is the failure to remove lint and debris. Homeowners need to ensure they clean the dryer lint trap before or after each load of laundry as well as clean their dryer duct on a regular basis. Lint is a highly combustible material and when accumulated, it blocks the airflow in the duct and can serve as a fuel source for fire to spread.

Keys to ensuring your dryer will continue to run safely and efficiently:

USE A UL2158A APPROVED DRYER DUCT

Our flexible aluminum duct/kits or semi-rigid aluminum duct/kits are offered as UL2158A labeled and marked for safe dryer venting.



Look for this symbol

GAIN EASY ACCESS TO YOUR DRYER DUCT FROM INSIDE THE LAUNDRY ROOM:

The EzConnect Dryer Duct To Wall Connector provides a secure and easy connect/disconnect from your dryer duct to the wall for dryer duct cleaning.



CLEAN YOUR DRYER DUCT ON A REGULAR BASIS:

The ProClean Drill Powered Duct Brush helps to remove lint build up and debris in your dryer duct. This brush can be used manually or attached to a drill for increased power.



MAINTAIN YOUR EXHAUST CAP AND DRYER DUCT FROM OUTSIDE THE HOME:

The EzAccess Exhaust Hood is hinged and locks in the open position. This allows access to the exhaust duct for easy removal of lint and debris.



ALL METAL DRYER HOOK-UP KIT



- Easy to install and meets or exceeds all dryer manufacturer specifications
- 4" x 8' UL 2158A listed and marked class 0 semi-rigid aluminum duct is thicker than our standard aluminum duct
- Contains two 4" steel galvanized worm drive clamps
- Two pre-attached all aluminum elbows are flame resistant and designed to achieve tight 0-90° turns

Product Code	UPC Code 060672	Size	Packaging	Pack Qty.	Pack Wt. (lbs.)	Pack Cube (cu. ft.)
MFX48ULMK	134816	4" x 8' Duct	Retail Box	2	5	1.93



Scan this QR code to view installation, feature and benefit videos



ProFlex™ DRYER TO DUCT CONNECTOR KIT

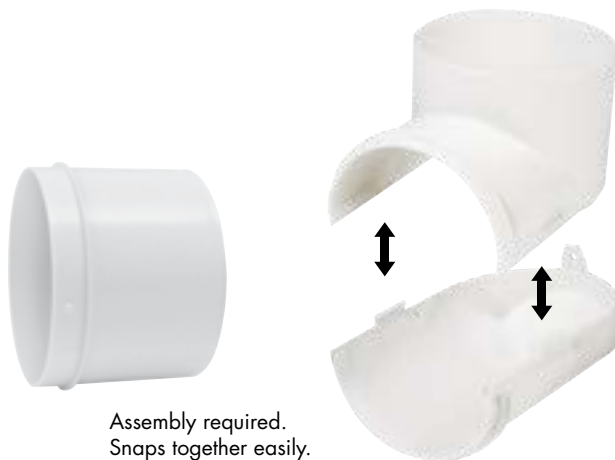


- Includes 4" x 8' ProFlex™ 2158A listed and marked transition duct, a plastic connector piece and an optional extension piece for dryers with recessed exhaust ports
- Offers a safe and efficient way to connect your dryer transition duct to the back of your dryer
- Helps prevent the duct from being crushed and improves airflow
- Connector piece is made of polypropylene containing fire retardant additive which meets UL94 VO standard for flame resistance
- Friction fit connection to dryer requires no clamps or duct tape for attachment

Product Code	UPC Code 060672	Size	Packaging	Pack Qty.	Pack Wt. (lbs)	Pack Cube (cu. ft.)
TD48D2DZW	131754	4" x 8' Duct	Retail Box / Cut Case	8	11	1.60

Material: Polypropylene

Scan this QR code to view installation, feature and benefit videos



SEMI-RIGID DRYER TO DUCT CONNECTOR KIT



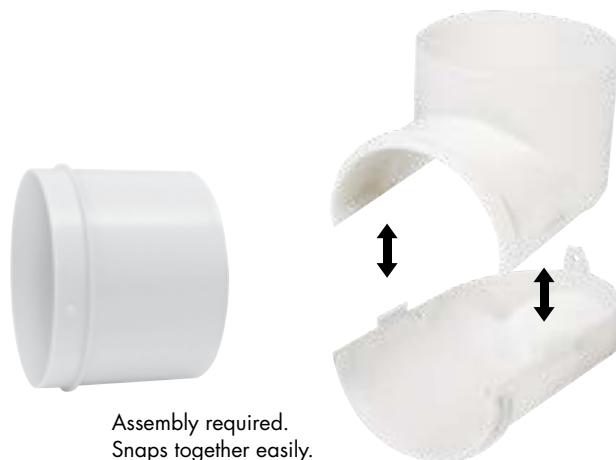
- Includes 4" x 8' semi-rigid aluminum duct, a plastic connector piece and an optional extension piece for dryers with recessed exhaust ports
- Helps prevent the duct from being crushed and improves airflow
- Connector piece is made of polypropylene containing fire retardant additive which meets UL94 VO standard for flame resistance
- Friction fit connection to dryer requires no clamps or duct tape for attachment
- Threads onto duct for easy assembly

Product Code	UPC Code 060672	Size	Packaging	Pack Qty.	Pack Wt. (lbs.)	Pack Cube (cu. ft.)
MFX48D2DZW	131761	4" x 8' Duct	Retail Box / Cut Case	10	12	4.02

Material: Polypropylene



Scan this QR code to view installation, feature and benefit videos





- Directs warm, moist air from electric clothes dryers back into your home
- Includes a heat keeper unit, removable lint cap and 2 plastic adjustable clamps
- Features a safety valve that helps eliminate back pressure

NOTE:
Do not use with gas clothes dryers

Product Code	UPC Code 060672	Size	Packaging	Pack Qty.	Pack Wt. (lbs)	Pack Cube (cu. ft.)
CHK100ZW6	280018	4"	Retail Box / Cut Case	6	8	1.81

Scan this QR code to view installation, feature and benefit videos



FEATURES AND BENEFITS COMPARISON

DRYER VENT EXHAUST HOODS

FEATURES	ProVent™	ProMax™	ProCard™	ProShield™	EzAccess™
Provides pest control		✓	✓	✓	
Easy lint removal				✓	✓
Paintable cap	✓	✓	✓	✓	✓
UV resistant plastic	✓	✓	✓	✓	✓
Molded caulk edge	✓		✓	✓	✓
Page reference number	7	6	9	11	10



DUCTS

FEATURES	ProFlex Dryer Transition Duct	Semi-Rigid Aluminum Dryer Duct	Semi-Rigid Aluminum Duct	Flexible Aluminum Foil Duct	Flexible Metalized Foil Duct	White Vinyl Duct
UL181 Listed				✓	✓	
UL2158A listed	✓	✓				
All aluminum		✓	✓			
Aluminum foil	✓			✓	✓	
General purpose	✓		✓	✓	✓	✓
Dryer venting	✓	✓				
Page reference number	26	27	31	32	34	36



ACCESSORIES



ProClean DRYER LINT REMOVAL KIT



- Helps keep the dryer running safely and efficiently
- Helps cut the drying time
- Increases the dryer's performance and reduces the risk of dryer vent fire by removing lint build up in all areas of the dryer and dryer duct
- 3 piece kit includes a 10' Dryer Vent Duct Brush, 36" Lint Trap Brush and a Vacuum Hose Attachment
- 10' Dryer Vent Duct Brush removes lint and debris that builds up on the inside of duct.
- 36" Lint Trap Brush and Vacuum Hose Attachment help to deep clean the lint trap of the dryer

Product Code	UPC Code 060672	Size	Packaging	Pack Qty.	Pack Wt. (lbs.)	Pack Cube (cu. ft.)
BPCK	150014	N/A	Retail Box / Cut Case	5	9	1.53



Scan this QR code to view installation, feature and benefit videos



ProClean DRILL POWERED DUCT BRUSH



- Helps remove lint build up and debris in your dryer duct and other general ducting
- Can be used manually or attached to a drill for increased power
- Includes a 4" diameter brush head and four 2' flexible rods to extend the brush up to 8' in length

Product Code	UPC Code 060672	Size	Packaging	Pack Qty.	Pack Wt. (lbs)	Pack Cube (cu. ft.)
PCPBZW	150021	4"	Retail Clamshell / Cut Case	6	5.5	1.09

Scan this QR code to view installation, feature and benefit videos



ProClean APPLIANCE BRUSH



- Ideal for cleaning around your household appliances and inside the dryer lint trap
- Easily removes lint trapped deep inside the clothes dryer lint trap
- Ideal for cleaning refrigerator coils to help keep it running cooler and more efficiently

Product Code	UPC Code 060672	Size	Packaging	Pack Qty.	Pack Wt. (lbs.)	Pack Cube (cu. ft.)
PCABXZW	150038	27"	Bulk / Cut Case	12	2.5	0.4



Scan this QR code to view installation, feature and benefit videos



EZ Connect DRYER DUCT TO WALL CONNECTOR

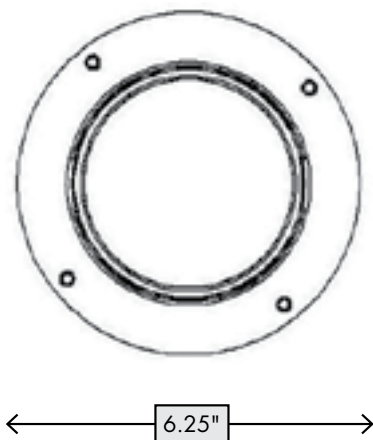


- Provides a secure and stable connection of the dryer to the wall
- Easily threads onto all types of dryer ducts without the need for clamps
- Simplifies dryer maintenance and overall safety by providing a quick access point to the dryer duct for cleaning

Product Code	UPC Code 060672	Size	Packaging	Pack Qty.	Pack Wt. (lbs)	Pack Cube (cu. ft.)
EZCNZW	803019	4"	Retail Box / Cut Case	6	2.5	0.60

Material: Polypropylene
Collar Sizes: 4"

Scan this QR code to view installation, feature and benefit videos



METAL DUCT CONNECTOR



- Ideal for extending the exhaust collar of your clothes dryer
- Attaches two pieces of flexible duct together
- Made of aluminum

Product Code	UPC Code 060672	Size	Packaging	Pack Qty.	Pack Wt. (lbs.)	Pack Cube (cu. ft.)
FDC3	131549	3" with clamps	Retail Bag	12	2	1.07
FDC4	131556	4" with clamps	Retail Bag	12	2	1.07
FDC4XZW	131457	4"	Bulk / Cut Case	12	3	0.54
FDC56	131563	5"- 6"	Retail Bag	12	3	1.07
FDC56ZW	131594	5"- 6"	Retail Bag / Cut Case	12	3	0.73

Material: Aluminum
Collar Sizes: 3", 4", 5", 6"



Scan this QR code to view installation, feature and benefit videos



DRYER TO DUCT CONNECTOR

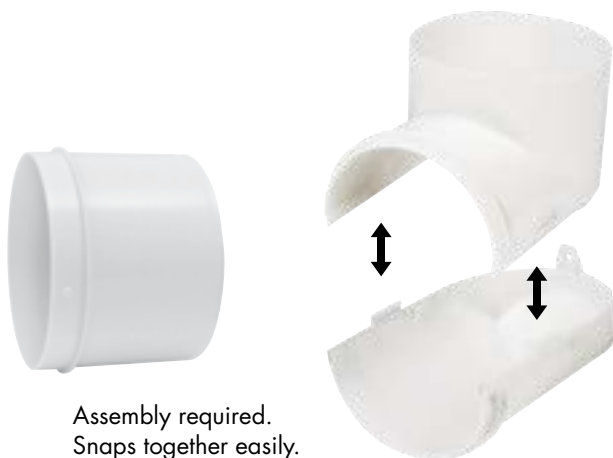


- Offers a safe and efficient way to connect your dryer duct to the back of your dryer
- Helps prevent the duct from being crushed and improves airflow
- Made of polypropylene containing fire retardant additive which meets UL94 V0 standard for flame resistance
- Friction fit connection to dryer requires no clamps or duct tape for attachment
- Threads onto duct for easy assembly
- Removes easily for regular cleaning of dryer duct

Product Code	UPC Code 060672	Size	Packaging	Pack Qty.	Pack Wt. (lbs)	Pack Cube (cu. ft.)
D2DPX	131747	4"	Bulk	60	29	4.11

Material: Polypropylene
Collar Sizes: 4"

Scan this QR code to view
installation, feature and
benefit videos



Assembly required.
Snaps together easily.



DRYER LINT CLEAN OUT CONNECTOR



- Connects two 4" pieces of dryer duct together
- Provides an easy connect / disconnect system which allows for quick access to the dryer duct for cleaning
- Can be attached at any easy-to-reach point along the dryer duct by threading the pieces onto the duct with no tools or clamps required

Product Code	UPC Code 060672	Size	Packaging	Pack Qty.	Pack Wt. (lbs.)	Pack Cube (cu. ft.)
DC4PX	131785	4"	Bulk	30	9	1.67
DC4ZW	131778	4"	Retail Box / Cut Case	12	4	0.78

Material: Polypropylene
Collar Sizes: 4"



Scan this QR code to view installation, feature and benefit videos



ROUND TO OVAL DRYER DUCT CONNECTOR



- Allows for easy attachment of current in-wall oval shaped ducting to round dryer transition ducting.
- Made of high impact polystyrene, the built in threading system allows for a quick connection to flexible aluminum foil or semi-rigid aluminum dryer ducts with no clamps or duct tape required.
- A 4" galvanized steel worm drive clamp to connect the in-wall oval shaped duct to the oval portion of the adapter.
- The adapter can also be easily disconnected for regular cleaning of the dryer duct.

Product Code	UPC Code 060672	Size	Packaging	Pack Qty.	Pack Wt. (lbs)	Pack Cube (cu. ft.)
R2OZW	802043	4"	Retail Box / Cutcase White	4	2.75	0.49

Material: High Impact Polystyrene
Collar Sizes: 4"

Scan this QR code to view
installation, feature and
benefit videos



FINDING WAYS TO REDUCE HOME ENERGY COSTS

The ProClean Dryer Duct Lint Trap will help save you money as well as reduce the risk of dryer fire by keeping your dryer duct clean and free of lint.



This product acts as a secondary lint trap for your electric clothes dryer. It is **NOT INTENDED FOR USE WITH GAS DRYERS**. This lint trap installs easily onto your dryer transition duct and collects additional lint that is not captured by the standard dryer lint trap which helps to eliminate unwanted and excess lint within the duct and reduces the risk of a dryer fire occurring. It also allows the air to pass through the duct more easily and without obstruction, saving energy by allowing your dryer to run more smoothly and efficiently. The clear door gives an unobstructed view of the lint screen which should be removed and cleaned after each load of laundry.

Please check your local retailer or wholesaler for availability.

RECESSED DRYER VENT BOX

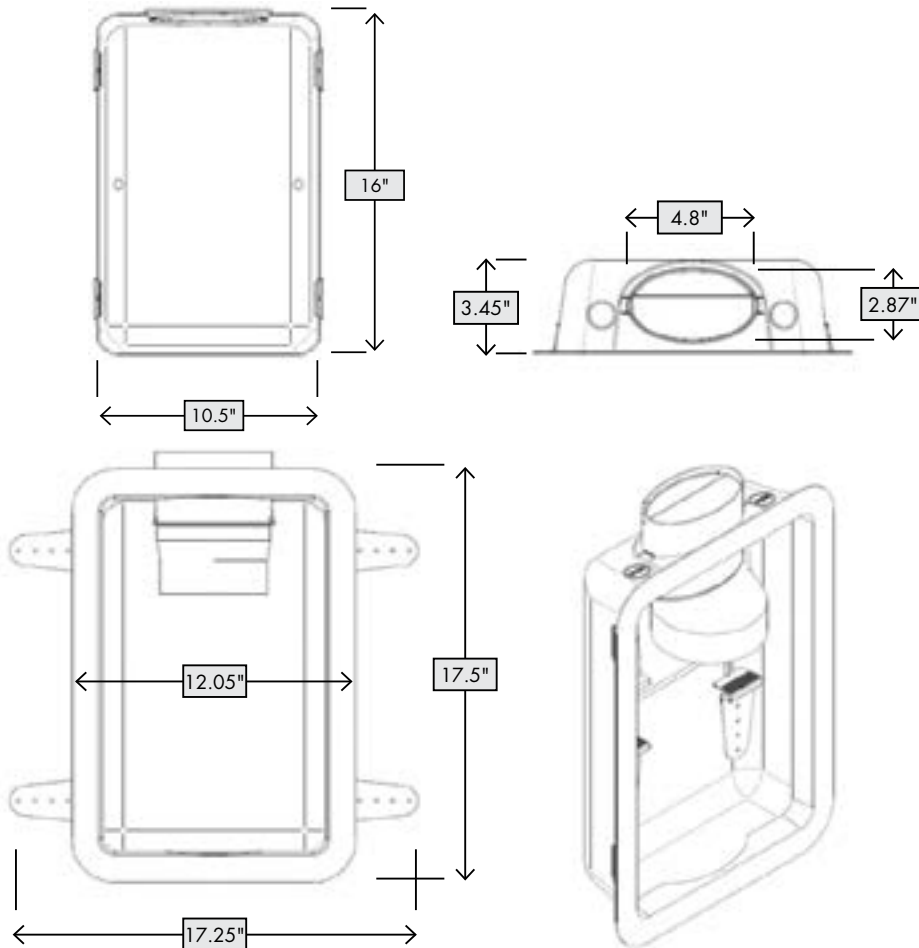


- Dryer can be pushed up against the wall of the laundry room, saving space
- Prevents duct from crushing
- Built in draft blocker reduces cold air back draft
- Oval to round duct adapter threads onto duct requiring no clamps for installation
- Suitable for gas and electric dryer applications

DRB4XZW	802005	4"	Bulk / Cut Case	2	4	1.04
---------	--------	----	-----------------	---	---	------

Material: High Impact Polystyrene
Collar Sizes: Meets UL standard 94HB tests for flammability

Scan this QR code to view installation, feature and benefit videos



ALUMINUM ELBOWS



- Can be used to vent most types of heating units
- All aluminum 4 piece construction is fully adjustable to 90°

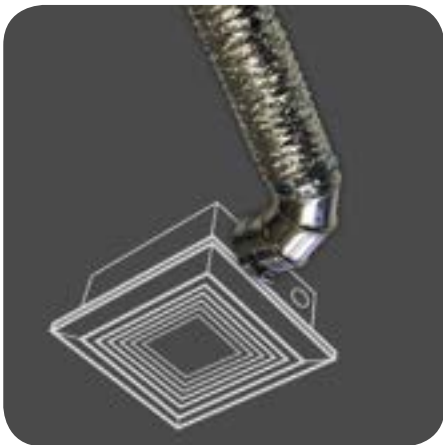
Product Code	UPC Code 060672	Size	Packaging	Pack Qty.	Pack Wt. (lbs.)	Pack Cube (cu. ft.)
E3E	130207	3"	Bulk	50	6	2.81
E3E24ZW	300716	3"	Bulk / Cut Case	24	5	1.39
E432	300426	4"	Bulk	32	8	2.50
E4E	130191	4"	Bulk	50	9	5.13
E4E24ZW	300266	4"	Bulk / Cut Case	24	5	2.03

Material: Aluminum

Collar Sizes: 3", 4"



Scan this QR code to view installation, feature and benefit videos





- Helps to prevent cold air from entering the home through the dryer duct
- Molded from high impact plastic
- Fits all 4" ducts

Product Code	UPC Code 060672	Size	Packaging	Pack Qty.	Pack Wt. (lbs)	Pack Cube (cu. ft.)
DB4ZW	280100	4"	Bulk / Cut Case	12	2	0.54

Scan this QR code to view installation, feature and benefit videos



METAL TENSION CLAMPS

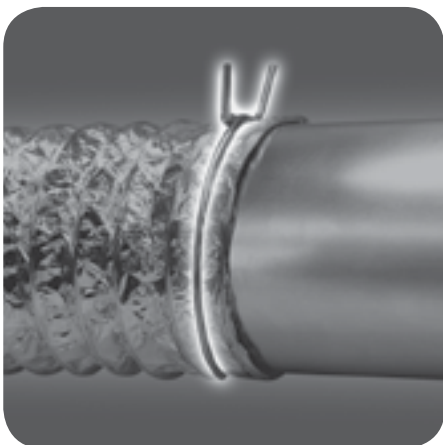


- Ideal for use with flexible or semi-rigid ducts
- No tools necessary for installation as these clamps open and close with pressure

Product Code	UPC Code 060672	Size	Packaging	Pack Qty.	Pack Wt. (lbs.)	Pack Cube (cu. ft.)
2TC4	131358	4"	Retail Bag - 2 Pack	50	7	0.45
TC4	300204	4"	Bulk	50	3	0.35



Scan this QR code to view installation, feature and benefit videos



70 CLAMPS

GALVANIZED STEEL WORM GEAR CLAMPS



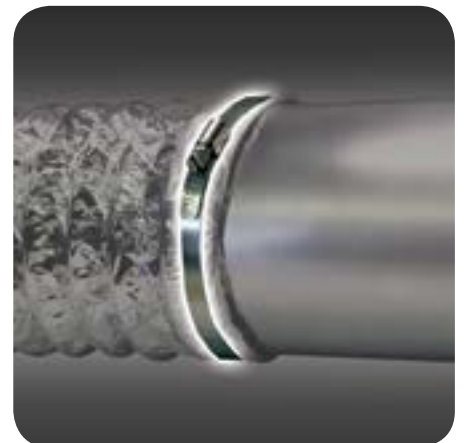
- Ideal for use with semi-rigid or rigid aluminum ducts
- Made of heavy duty galvanized steel
- Ideal for fastening ducts to aluminum pipes or elbows

Product Code	UPC Code 060672	Size	Packaging	Pack Qty.	Pack Wt. (lbs)	Pack Cube (cu. ft.)
2MC3E	131273	3"	Retail Bag - 2 Pack	20	3	0.35
MC3ZW	138722	3"	Bulk / Cut Case	50	4	0.30
2MC4E	131280	4"	Retail Bag - 2 Pack	20	4	0.35
MC4X	130238	4"	Bulk	200	20	1.11
MC4ZW	130276	4"	Bulk / Cut Case	50	4	0.30
2MC5E	131297	5"	Retail Bag - 2 Pack	20	5	1.07
MC5ZW	130818	5"	Bulk / Cut Case	25	2	0.30
2MC6E	131303	6"	Retail Bag - 2 Pack	20	5	1.07
MC6ZW	300310	6"	Bulk / Cut Case	20	2	0.30

Material: Galvanized Steel.

Collar Sizes: 3", 4", 5", 6"

Scan this QR code to view
installation, feature and
benefit videos



ADJUSTABLE/RELEASABLE PLASTIC CLAMPS

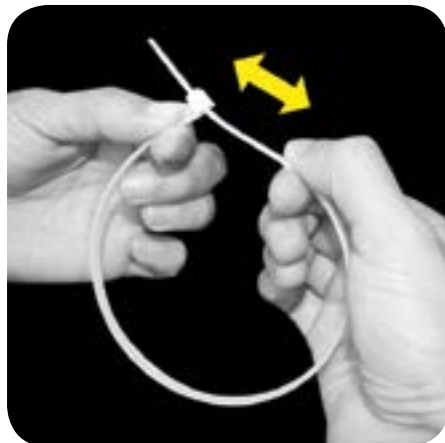
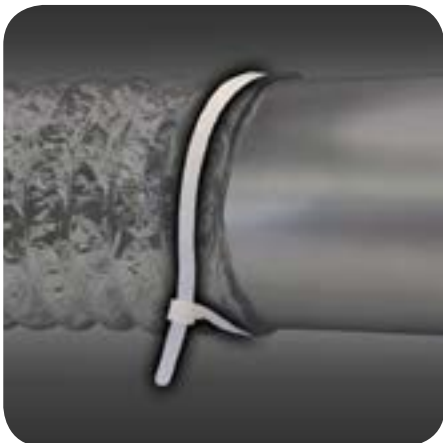


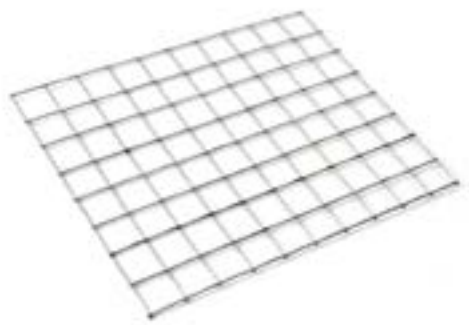
- Ideal for use with flexible ducts
- Feature a quick-release self-locking clasp

Product Code	UPC Code 060672	Size	Packaging	Pack Qty.	Pack Wt. (lbs.)	Pack Cube (cu. ft.)
2C234Z	130047	4"	Retail Bag - 2 Pack	50	2	0.45
2C234ZW	130047	4"	Retail Bag - 2 Pack / Cut Case	20	1	0.19



Scan this QR code to view installation, feature and benefit videos





- Helps to prevent unwanted pests from entering the duct or home
- Clips on to older style vent caps and is removable for lint cleaning
- Includes two metal clips for installation

Product Code	UPC Code 060672	Size	Packaging	Pack Qty.	Pack Wt. (lbs)	Pack Cube (cu. ft.)
PB10	601004	4" x 5"	Retail Bag	20	1	0.04

Material: Galvanized Steel

Scan this QR code to view installation, feature and benefit videos



J-CHANNELS



- Mounts on exterior wall prior to installation of vinyl siding or stucco
- Allows for Dundas Jafine vent caps to seamlessly attach to channel without the use of screws or caulking
- Provides a secure, easy to install flush mount for vent caps
- Allows for quick and easy cap replacement in the future
- Channels moisture away from substrate and venting hole
- Can be used with Dundas Jafine ProVent™, ProGard™, EzAccess™ and ProShield™ caps and hoods

Product Code	UPC Code 060672	Size	Packaging	Pack Qty.	Pack Wt. (lbs.)	Pack Cube (cu. ft.)
J34X	270842	3"- 4"	Bulk	42	8	1.43
J56X	271009	5"- 6"	Bulk	36	15	3.60
J78X	271139	7"- 8"	Bulk	56	26	5.07

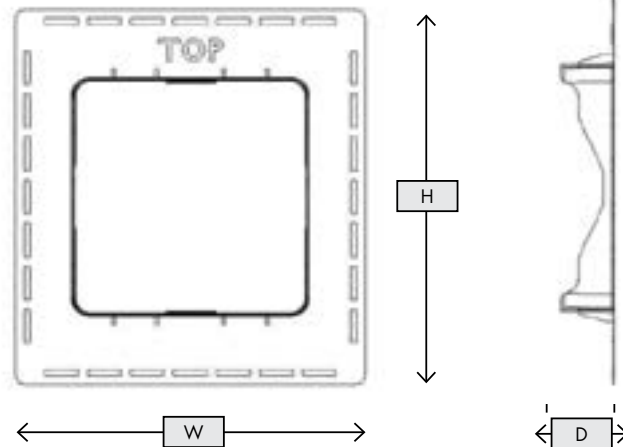
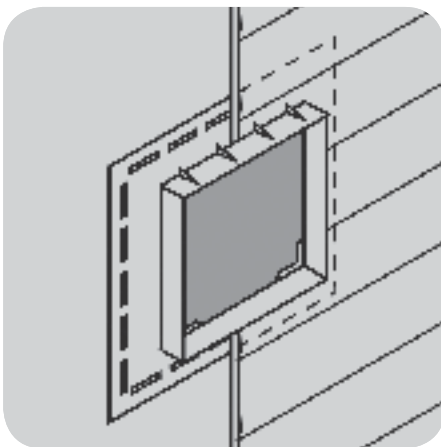
Material: Plastic
Collar Sizes: 3", 4", 5", 6", 7", 8"



Scan this QR code to view installation, feature and benefit videos

J CHANNEL

Collar Size	Dimensions		
	H	W	D
3", 4"	8.5"	7.5"	1.25"
5", 6"	11"	10.25"	1.5"
7", 8"	13"	12.25"	1.5"



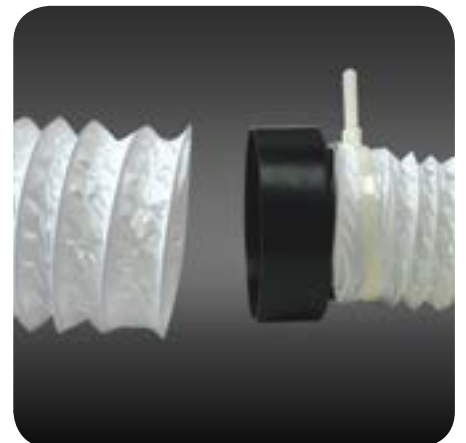


- Connects 3" – 4" ducts together
- Ideal for bathroom fan exhaust applications

Product Code	UPC Code 060672	Size	Packaging	Pack Qty.	Pack Wt. (lbs)	Pack Cube (cu. ft.)
INC34EZW	130214	3"- 4"	Bulk / Cut Case	10	1	0.21
INC34Z	130214	3"- 4"	Bulk	20	0.45	0.45

Material: Plastic
Collar Sizes: 3", 4"

Scan this QR code to view
 installation, feature and
 benefit videos



METAL INCREASERS AND DECREASERS



- Connects 3" – 4" ducts together
- Has an option of a 3" crimped end or a 4" crimped end

Product Code	UPC Code 060672	Size	Packaging	Pack Qty.	Pack Wt. (lbs.)	Pack Cube (cu. ft.)
RA34	500505	3"- 4"	Bulk - Increaser	12	2	0.45
RA43	500512	4"- 3"	Bulk - Decreaser	12	2	0.45

Material: Aluminum

Collar Sizes: 3", 4"



Scan this QR code to view installation, feature and benefit videos



Decreaser version



- Helps keep air away from plants, furniture and drapery
- Made from high quality, durable plastic
- Includes 2 magnets
- Can extend from 8" – 14" to accommodate various register sizes

Product Code	UPC Code 060672	Size	Packaging	Pack Qty.	Pack Wt. (lbs)	Pack Cube (cu. ft.)
AD96ZW	170227	8"- 14"	Retail Box / Cut Case	24	14	1.57

Material: Plastic
Extends to: 8"-14"

Scan this QR code to view
 installation, feature and
 benefit videos



SHATTERPROOF AIR DEFLECTOR



- Helps keep air away from plants, furniture and drapery
- Made from high quality, durable plastic that is guaranteed not to break or crack
- Includes 2 pre-attached magnets
- Can extend from 8" – 14" to accommodate various register sizes

Product Code	UPC Code 060672	Size	Packaging	Pack Qty.	Pack Wt. (lbs.)	Pack Cube (cu. ft.)
ADSPZW	170258	8"- 14"	Retail Box /Cut Case	24	14	1.57

Material: Plastic
Extends to: 8"- 14"



Scan this QR code to view installation, feature and benefit videos





- Ideal for redirecting air away from furniture
- Made from durable plastic
- Extends up to 3' long

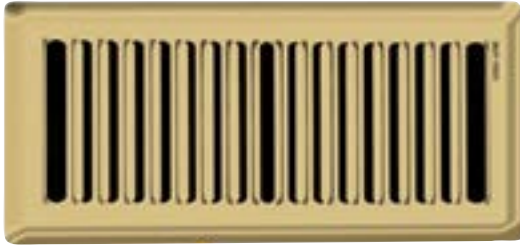
Product Code	UPC Code 060672	Size	Packaging	Pack Qty.	Pack Wt. (lbs)	Pack Cube (cu. ft.)
EXTVENT	170067	3'	Retail Box	6	8	1.47

Material: Plastic
Extends to: 36"

Scan this QR code to view
 installation, feature and
 benefit videos



MAGNETIC VENT COVER



- Used in conjunction with metal floor or ceiling air register vents to help improve air distribution in your home by closing off registers in unused spaces
- The 4" x 10" versions are available in white and bronze and are printed with register markings to replicate an actual air register
- The 8" x 15" version is plain white and can be cut to size to accommodate a variety of various registers

Product Code	UPC Code 060672	Size	Packaging	Pack Qty.	Pack Wt. (lbs.)	Pack Cube (cu. ft.)
MVC410B10	170838	4" x 10"	Retail Bag - 2 Pack - Bronze	10	3	0.04
MVC410W10	170845	4" x 10"	Retail Bag - 2 Pack - White	10	3	0.04
MVC815	170821	8" x 15"	Retail Bag - 3 Pack - White	25	25	20



Scan this QR code to view installation, feature and benefit videos

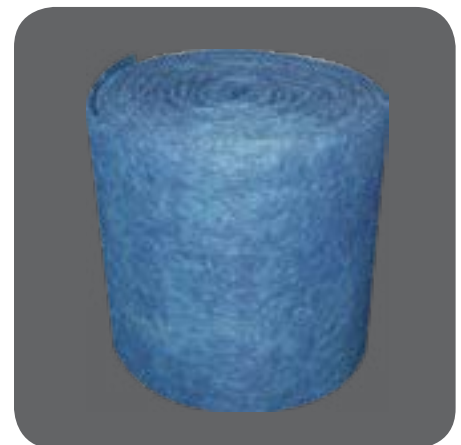




- Washable and reusable
- Can last for years with proper care
- Traps 2 ½ times as much dust and dirt particles as the traditional glass fiber versions by creating an electrostatic charge
- Available in pre-cut sizes as well as bulk rolls

Product Code	UPC Code 060672	Size	Packaging	Pack Qty.	Pack Wt. (lbs)	Pack Cube (cu. ft.)
FUR1520	110018	15" x 20" x 1"	Retail Bag	10	5	2.36
FUR1620	110025	16" x 20" x 1"	Retail Bag	10	5	2.36
FUR1625	110032	16" x 25" x 1"	Retail Bag	10	7	2.95
FUR2020	110049	20" x 20" x 1"	Retail Bag	10	7	2.67
FUR2025	110056	20" x 25" x 1"	Retail Bag	10	9	3.95
RL2475	110087	24" x 75' x 1" - Roll	Bulk	1	28	12.50
RL3075	110095	30" x 75' x 1" - Roll	Bulk	1	35	15.63
RL3675	110100	36" x 75' x 1" - Roll	Bulk	1	39	18.75

Scan this QR code to view installation, feature and benefit videos



GLASS FIBER PIPE WRAP



- Ideal for insulating cold water pipes
- Helps to prevent condensation and pipe sweating while reducing heat loss

Product Code	UPC Code 060672	Size	Packaging	Pack Qty.	Pack Wt. (lbs.)	Pack Cube (cu. ft.)
GPW	240159	3" x 20'	Retail Bag	5	10	2.81



Scan this QR code to view installation, feature and benefit videos



FOIL BACKED, SELF ADHESIVE, FOAM PIPE WRAP



- Ideal for insulating cold water pipes
- Helps to prevent condensation and pipe sweating while reducing heat loss.
- Self adhesive foam makes installation easy

Product Code	UPC Code 060672	Size	Packaging	Pack Qty.	Pack Wt. (lbs)	Pack Cube (cu. ft.)
FPW2	120055	2" x 15'	Retail Bag	7	9	1.07
FPW5	120062	5" x 15'	Retail Labeled	6	11	1.41
FPW12	120079	12" x 15'	Retail Labeled	5	13	1.41

Scan this QR code to view
installation, feature and
benefit videos



DUCT INSULATION SLEEVES

BLACK POLYETHYLENE JACKET



- Ideal for insulating existing rigid or semi-rigid round ducts
- Helps reduce heat / cool loss as well as condensation build-up
- Includes a black polyethylene jacket

R 4.2

Product Code	UPC Code 060672	Size	Packaging	Pack Qty.	Pack Wt. (lbs)	Pack Cube (cu. ft.)
BIS45	286218	4" x 5' - R 4.2	Standard Carton	8	5	1.61
BIS55	286225	5" x 5' - R 4.2	Standard Carton	8	6	1.61
BIS65	286232	6" x 5' - R 4.2	Standard Carton	8	6	1.61
BIS75	286249	7" x 5' - R 4.2	Standard Carton	8	7	3.14
BIS85	286256	8" x 5' - R 4.2	Standard Carton	8	7	3.14
BIS95	286195	9" x 5' - R 4.2	Standard Carton	8	19	5.13
BIS105	286263	10" x 5' - R 4.2	Standard Carton	8	25	5.13
BIS125	286270	12" x 5' - R 4.2	Standard Carton	8	36	5.13
BIS145	286287	14" x 5' - R 4.2	Standard Carton	6	29	5.13
BIS165	286294	16" x 5' - R 4.2	Standard Carton	6	41	5.13
BIS310	287192	3" x 10' - R 4.2	Standard Carton	4	5	1.61
BIS310P	286003	3" x 10' - R 4.2	Retail Polybag	4	5	1.61
BIS410	287208	4" x 10' - R 4.2	Standard Carton	4	6	1.61
BIS410P	286010	4" x 10' - R 4.2	Retail Polybag	4	6	1.61
BIS510	287215	5" x 10' - R 4.2	Standard Carton	4	6	1.61
BIS510P	286027	5" x 10' - R 4.2	Retail Polybag	4	6	1.61
BIS610	287222	6" x 10' - R 4.2	Standard Carton	4	7	1.61
BIS610P	286034	6" x 10' - R 4.2	Retail Polybag	4	7	1.61
BIS710	287239	7" x 10' - R 4.2	Standard Carton	4	8	3.14
BIS810	287246	8" x 10' - R 4.2	Standard Carton	4	9	3.14
BIS1010	287260	10" x 10' - R 4.2	Standard Carton	4	11	5.13

DUCT INSULATION SLEEVES BLACK POLYETHYLENE JACKET

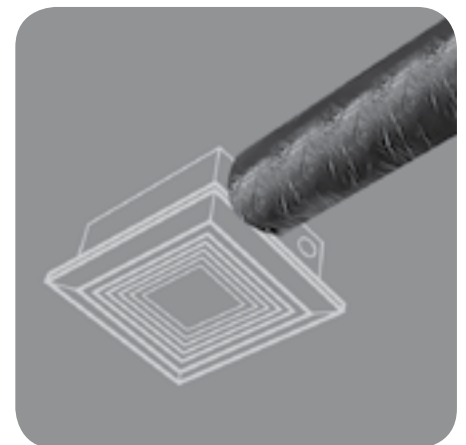


- Ideal for insulating existing rigid or semi-rigid round ducts
- Helps reduce heat / cool loss as well as condensation build-up
- Includes a black polyethylene jacket

R 6.0

Product Code	UPC Code 060672	Size	Packaging	Pack Qty.	Pack Wt. (lbs)	Pack Cube (cu. ft.)
BIS45R6	284023	4" x 5' - R 6.0	Standard Carton	8	22	1.61
BIS55R6	284047	5" x 5' - R 6.0	Standard Carton	8	22	1.61
BIS65R6	284061	6" x 5' - R 6.0	Standard Carton	8	24	5.13
BIS75R6	284085	7" x 5' - R 6.0	Standard Carton	8	25	5.13
BIS85R6	284108	8" x 5' - R 6.0	Standard Carton	8	36	5.13
BIS95R6	284122	9" x 5' - R 6.0	Standard Carton	6	29	5.13
BIS105R6	284146	10" x 5' - R 6.0	Standard Carton	6	30	5.13
BIS125R6	284160	12" x 5' - R 6.0	Standard Carton	6	30	5.13
BIS145R6	284184	14" x 5' - R 6.0	Standard Carton	4	20	5.13
BIS165R6	284207	16" x 5' - R 6.0	Standard Carton	4	28	5.13

Collar Sizes: 4", 5", 6", 7", 8", 9", 10", 12", 14" 16"



DUCT INSULATION SLEEVES

SILVER JACKET



- Ideal for insulating existing rigid or semi-rigid round ducts
- Helps reduce heat / cool loss as well as condensation build-up
- Contains silver polyethylene jacket with reinforced scrim

R 4.2

Product Code	UPC Code 060672	Size	Packaging	Pack Qty.	Pack Wt. (lbs)	Pack Cube (cu. ft.)
SIS45	286331	4" x 5' - R 4.2	Standard Carton	8	5	1.61
SIS55	286348	5" x 5' - R 4.2	Standard Carton	8	6	1.61
SIS65	286355	6" x 5' - R 4.2	Standard Carton	8	6	1.61
SIS75	286362	7" x 5' - R 4.2	Standard Carton	8	8	3.14
SIS85	286379	8" x 5' - R 4.2	Standard Carton	8	8	3.14
SIS95	286447	9" x 5' - R 4.2	Standard Carton	8	20	5.13
SIS105	286386	10" x 5' - R 4.2	Standard Carton	8	26	5.13
SIS125	286393	12" x 5' - R 4.2	Standard Carton	8	37	5.13
SIS145	286409	14" x 5' - R 4.2	Standard Carton	6	29	5.13
SIS165	286416	16" x 5' - R 4.2	Standard Carton	6	41	5.13

R 6.0

Product Code	UPC Code 060672	Size	Packaging	Pack Qty.	Pack Wt. (lbs)	Pack Cube (cu. ft.)
SIS45R6	284306	4" x 5' - R 6.0	Standard Carton	8	22	1.61
SIS55R6	284313	5" x 5' - R 6.0	Standard Carton	8	22	1.61
SIS65R6	284320	6" x 5' - R 6.0	Standard Carton	8	24	5.13
SIS75R6	297238	7" x 5' - R 6.0	Standard Carton	8	25	5.13
SIS85R6	284344	8" x 5' - R 6.0	Standard Carton	8	36	5.13
SIS95R6	286454	9" x 5' - R 6.0	Standard Carton	6	29	5.13
SIS105R6	284351	10" x 5' - R 6.0	Standard Carton	6	30	5.13
SIS125R6	284368	12" x 5' - R 6.0	Standard Carton	6	30	5.13
SIS145R6	284375	14" x 5' - R 6.0	Standard Carton	4	20	5.13
SIS165R6	284382	16" x 5' - R 6.0	Standard Carton	4	28	5.13

Collar Sizes: 4", 5", 6", 7", 8", 9", 10", 12", 14" 16"

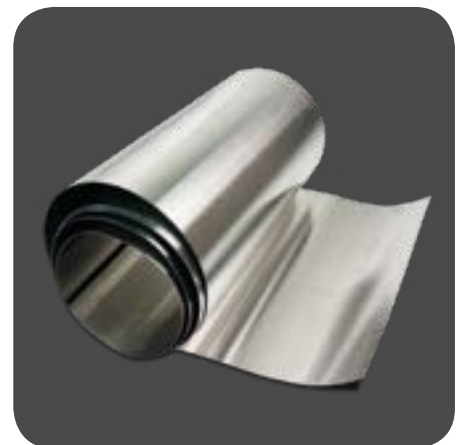
ALUMINUM REPAIR ROLL



- Ideal for use on roof or chimney flashing and excellent for repairing heating and cooling ducts, eaves troughs and automobiles

Product Code	UPC Code 060672	Size	Packaging	Pack Qty.	Pack Wt. (lbs)	Pack Cube (cu. ft.)
MRR1410	140039	14" x 10' - Mill Finish	Bulk	10	20	1.62
MRR145	140015	14" x 5' - Mill Finish	Bulk	10	10	1.62
MRR185	140022	18" x 5' - Mill Finish	Bulk	10	13	2.37
MRR1850	140046	18" x 50' - Mill Finish	Bulk	1	12	2.37
MRR2010	140053	20" x 10' - Mill Finish	Bulk	10	26	2.37
MRR2450	140169	24" x 50' - Mill Finish	Bulk	1	18	0.68
MRR3650	140060	36" x 50' - Mill Finish	Bulk	1	24	1.10
WRR1410	140077	14" x 10' - White Finish	Bulk	10	22	1.62

Scan this QR code to view installation, feature and benefit videos



ProClean DRYER DRYER DUCT LINT TRAP



- Acts as a secondary lint trap for your electric clothes dryer
- Saves energy by allowing your dryer to run more smoothly and efficiently
- Includes two galvanized steel worm gear clamps

Note: Do not use with gas clothes dryers

Product Code	UPC Code	Size	Packaging	Pack Qty.	Pack Wt. (lbs.)	Pack Cube (cu. ft.)
PCLT4WZW	060672 150045	4"	Retail Package	6	6	0.8

Material: Polystyrene
Collar Sizes: 4"



Scan this QR code to view installation, feature and benefit videos



GENERAL AIR DISTRIBUTION



ProVent™ AIR INTAKE HOOD

NUT DRIVER READY!



- Fixed louver intake system allows fresh air to enter the home
- Molded screens help prevent pests from entering the duct
- Snap on aluminum pipe to cap assembly eliminates the need for lint trapping staples
- Can be painted to match the home's exterior
- UV resistant plastic protects cap from harmful effects of the sun
- Molded caulk edge assists the installer in maintaining a clean caulking application and finished look
- Designed to snap on/off j-channels for ease of installation and replacement

Product Code	UPC Code 060672	Size	Packaging	Pack Qty.	Pack Wt. (lbs.)	Pack Cube (cu. ft.)
IH3BXZ	291052	3"	Bulk - Brown	12	7	3.41
IH3BXZW	291205	3"	Bulk / Cut Case - Brown	12	7	2.89
IH3WXZ	291045	3"	Bulk - White	12	7	3.41
IH3WXZW	291212	3"	Bulk / Cut Case - White	12	7	2.89
IH4BXZ	291076	4"	Bulk - Brown	12	7	3.41
IH4BXZW	291229	4"	Bulk / Cut Case - Brown	12	7	2.89
IH4WXZ	291069	4"	Bulk - White	12	7	3.41
IH4WXZW	290444	4"	Bulk / Cut Case - White	12	7	2.89
IH5BXZ	291137	5"	Bulk - Brown	12	11	6.41
IH5BXZW	291236	5"	Bulk / Cut Case - Brown	8	7	3.35
IH5WXZ	291120	5"	Bulk - White	12	11	6.41
IH5WXZW	290451	5"	Bulk / Cut Case - White	8	7	3.35
IH6BXZ	291151	6"	Bulk - Brown	12	11	6.41
IH6BXZW	291243	6"	Bulk / Cut Case - Brown	8	7	3.35
IH6WXZ	291144	6"	Bulk - White	12	11	6.41
IH6WXZW	290468	6"	Bulk / Cut Case - White	8	7	3.35



Material: Polypropylene with UV inhibitor

Collar Sizes: 3", 4", 5", 6"



Scan this QR code to view installation, feature and benefit videos

ProVent™ AIR INTAKE HOOD WITH J-CHANNEL



- Provides a secure, easy to install flush mount for vent caps
- Allows for quick and easy cap replacement in the future
- Fixed louver intake system allows fresh air to enter the home
- Molded screens help prevent pests from entering the duct
- Snap on aluminum pipe to cap assembly eliminates the need for lint trapping staples
- Molded caulk edge assists the installer in maintaining a clean caulking application and finished look
- Designed to snap on/off j-channels for ease of installation and replacement

Product Code	UPC Code 060672	Size	Packaging	Pack Qty.	Pack Wt. (lbs)	Pack Cube (cu. ft.)
JIH4BXZ	270880	4"	Bulk - Brown	12	9	2.97
JIH4WXZ	270873	4"	Bulk - White	12	9	2.97
JIH5BXZ	271061	5"	Bulk - Brown	8	8	4.23
JIH5WXZ	271054	5"	Bulk - White	8	8	4.23
JIH6BXZ	271085	6"	Bulk - Brown	8	8	4.23
JIH6WXZ	271078	6"	Bulk - White	8	8	4.23

Material: Polypropylene with UV inhibitor

Collar Sizes: 4", 5", 6"

Scan this QR code to view installation, feature and benefit videos

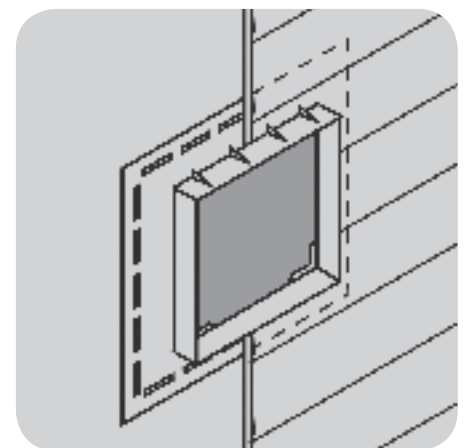
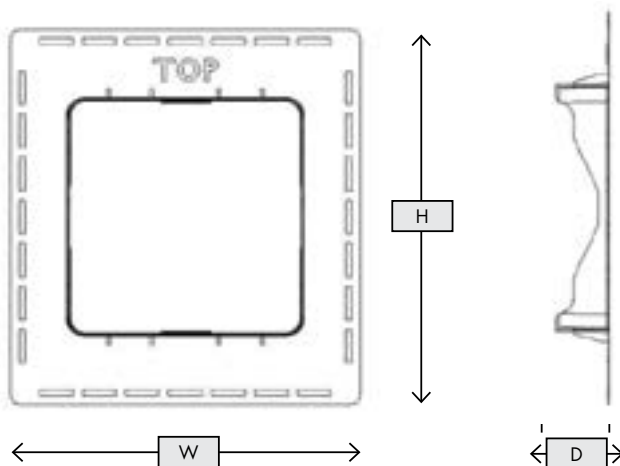


J-CHANNEL

Collar Size	Dimensions		
	H	W	D
3", 4"	8.5"	7.5"	1.25"
5", 6"	11"	10.25"	1.5"

PROVENT™ CAP

Collar Size	Dimensions		
	H	W	D
3", 4"	7"	6.25"	0.85"
5", 6"	10"	9.375"	1.5"





ProVent™ AIR INTAKE REPLACEMENT CAPS



NUT DRIVER READY!

- Fixed louver intake system allows fresh air to enter the home
- Molded screens help prevent pests from entering the duct
- Can be painted to match the home's exterior
- UV resistant plastic protects cap from harmful effects of the sun
- Molded caulk edge assists the installer in maintaining a clean caulking application and finished look
- Designed to snap on/off j-channels for ease of installation and replacement

Product Code	UPC Code 060672	Size	Packaging	Pack Qty.	Pack Wt. (lbs.)	Pack Cube (cu. ft.)
IC3BX	291014	3"	Bulk - Brown	42	16	2.82
IC3WX	291007	3"	Bulk - White	42	16	2.82
IC4BX 	291038	4"	Bulk - Brown	42	16	2.82
IC4WX 	291021	4"	Bulk - White	42	16	2.82
IC5BX	291090	5"	Bulk - Brown	24	15	3.60
IC5WX	291083	5"	Bulk - White	24	15	3.60
IC6BX	291113	6"	Bulk - Brown	24	15	3.60
IC6WX	291106	6"	Bulk - White	24	15	3.60
IC7BX	291175	7"	Bulk - Brown	24	22	5.07
IC7BXZ	291175	7"	Bulk - Brown	5	3.25	1.17
IC7WX	291168	7"	Bulk - White	24	22	5.07
IC7WXZ	291168	7"	Bulk - White	5	3.25	1.17
IC8BX	291199	8"	Bulk - Brown	24	22	5.07
IC8BXZ	291199	8"	Bulk - Brown	5	3.25	1.17
IC8WX	291182	8"	Bulk - White	24	22	5.07
IC8WXZ	291182	8"	Bulk - White	5	3.25	1.17



Material: Polypropylene with UV inhibitor

Collar Sizes: 3", 4", 5", 6", 7", 8"



Scan this QR code to view installation, feature and benefit videos



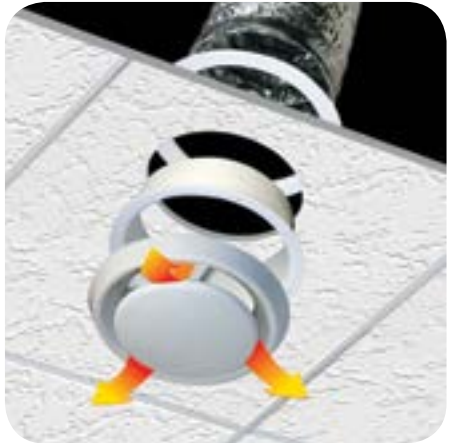
- Allows for fresh airflow between rooms
- Ideal for in-wall or suspended ceiling applications
- Includes flange collar and locking ring for suspended ceiling applications
- Features locknut for secure airflow balancing
- Requires no studs for installation
- Smooth finish for easy cleaning

Product Code	UPC Code 060672	Size	Packaging	Pack Qty.	Pack Wt. (lbs)	Pack Cube (cu. ft.)
DF4PX	275038	4"	Bulk	7	2.8	0.47
DF4WZW	275014	4"	Retail Box / Cut Case	10	2.3	0.73
DF5PX	275021	5"	Bulk	7	3	0.48
DF6PX	275076	6"	Bulk	7	5.9	0.73
DF6WZW	275052	6"	Retail Box / Cut Case	8	3.9	0.88
DF8PX	275083	8"	Bulk	7	6	1.13

Material: Polypropylene

Collar Sizes: 4", 5", 6", 8"

Scan this QR code to view installation, feature and benefit videos



INDEX

PRODUCT	PAGE	PRODUCT	PAGE	PRODUCT	PAGE	PRODUCT	PAGE
2C234Z	70	BIS510P	82	BPC925R6	38	FUR1620	79
2C234ZW	70	BIS55	82	BPC925R8	39	FUR1625	79
2MC3E	69	BIS55R6	83	BPCK	58	FUR2020	79
2MC4E	69	BIS610	82	BPGH4BZW	9	FUR2025	79
2MC5E	69	BIS610P	82	BPGH4BZW6	9	G32510	13
2MC6E	69	BIS65	82	BPGH4WZW	9	GFD425	35
2TC4	68	BIS65R6	83	BPGH4WZW6	9	GFD525	35
AD96ZW	75	BIS710	82	BPMH4BZW	6	GFD625	35
ADSPZW	76	BIS75	82	BPMH4WZW	6	GFD825	35
AF1025	32	BIS75R6	83	BPMH4WZW6	6	GPW	80
AF1025UL	33	BIS810	82	BPSH4WZW	11	IC3BX	90
AF1225	32	BIS85	82	BTD420ZW	26	IC3WX	90
AF1225UL	33	BIS85R6	83	BTD45	26	IC4BX	90
AF1425	32	BIS95	82	BTD48	26	IC4WX	90
AF1425UL	33	BIS95R6	83	BTD48TC	26	IC5BX	90
AF1625	32	BLH4BZW	7	BTD48ZW	26	IC5WX	90
AF1625UL	33	BLH4BZW6	7	CHK100ZW6	55	IC6BX	90
AF1825	32	BLH4WZW	7	D2DPX	63	IC6WX	90
AF1825UL	33	BLH4WZW6	7	DB4ZW	67	IC7BX	90
AF2025	32	BLH6BZW	7	DC4PX	64	IC7BXZ	90
AF2025UL	33	BLH6WZW	7	DC4ZW	64	IC7WX	90
AF325	32	BPC1025	38	DF4PX	91	IC7WXZ	90
AF325UL	33	BPC1025R6	38	DF4WZW	91	IC8BX	90
AF325ULPZ	33	BPC1025R8	39	DF5PX	91	IC8BXZ	90
AF425	32	BPC1225	38	DF6PX	91	IC8WX	90
AF425UL	33	BPC1225R6	38	DF6WZW	91	IC8WXZ	90
AF425ULPZW	33	BPC1225R8	39	DF8PX	91	IH3BXZ	88
AF450	32	BPC1425	38	DRB4XZW	65	IH3BXZW	88
AF450UL	33	BPC1425R6	38	E3E	66	IH3WXZ	88
AF525	32	BPC1425R8	39	E3E24ZW	66	IH3WXZW	88
AF525UL	33	BPC1625	38	E432	66	IH4BXZ	88
AF625	32	BPC1625R6	38	E4E	66	IH4BXZW	88
AF625UL	33	BPC1625R8	39	E4E24ZW	66	IH4WXZ	88
AF625ULPZW	33	BPC1825	38	EXRT	50	IH4WXZW	88
AF725	32	BPC1825R6	38	EXTVENT	77	IH5BXZ	88
AF725UL	33	BPC1825R8	39	EXWTZW	49	IH5BXZW	88
AF825	32	BPC2025	38	EZCNZW	61	IH5WXZ	88
AF825UL	33	BPC2025R6	38	EZFXZW	24	IH5WXZW	88
BHLH4WZW	10	BPC325	38	FD310E	36	IH6BXZ	88
BIS1010	82	BPC425	38	FD350BK	30	IH6BXZW	88
BIS105	82	BPC425R6	38	FD350E	36	IH6WXZ	88
BIS105R6	83	BPC425R8	39	FD38EZW	36	IH6WXZW	88
BIS125	82	BPC525	38	FD420ZW	36	INC34EZW	73
BIS125R6	83	BPC525R6	38	FD450BK	30	INC34Z	73
BIS145	82	BPC525R8	39	FD450E	36	J34X	72
BIS145R6	83	BPC625	38	FD610EZW	36	J56X	72
BIS165	82	BPC625R6	38	FDC3	62	J78X	72
BIS165R6	83	BPC625R8	39	FDC4	62	JIH4BXZ	89
BIS310	82	BPC725	38	FDC4XZW	62	JIH4WXZ	89
BIS310P	82	BPC725R6	38	FDC56	62	JIH5BXZ	89
BIS410	82	BPC725R8	39	FDC56ZW	62	JIH5WXZ	89
BIS410P	82	BPC825	38	FPW12	81	JIH6BXZ	89
BIS45	82	BPC825R6	38	FPW2	81	JIH6WXZ	89
BIS45R6	83	BPC825R8	39	FPW5	81	JLH4BXZ	8
BIS510	82	BPC925	38	FUR1520	79	JLH4WXZ	8

PRODUCT	PAGE	PRODUCT	PAGE	PRODUCT	PAGE	PRODUCT	PAGE
JLH5BXZ	8	MC825UL	34	PMC4WXZW	16	SPC1625	40
JLH5WXZ	8	MC925UL	34	PMH4BXZ	6	SPC1625R6	40
JLH6BXZ	8	MFX325X	31	PMH4WXZ	6	SPC1625R8	40
JLH6WXZ	8	MFX38	31	PMH4WZWW	6	SPC1825	40
LC3BX	17	MFX38X	31	PMH4WZWS	6	SPC1825R6	40
LC3WX	17	MFX38XZW	31	PSC4WX	19	SPC1825R8	40
LC4BX	17	MFX425X	27, 31	PSH4WXZ	11	SPC2025	40
LC4BXZW	17	MFX45	27, 31	PVB3EAL	12	SPC2025R6	40
LC4BZW	17	MFX45X	27, 31	PVB4EAL	12	SPC425	40
LC4WX	17	MFX46C2XZW	27, 31	PVB4EALZW	12	SPC425R6	40
LC4WXZW	17	MFX48	27, 31	RA34	74	SPC425R8	40
LC4WZW	17	MFX48D2DZW	54	RA43	74	SPC525	40
LC5BX	17	MFX48ULMK	52	RL2475	79	SPC525R6	40
LC5WX	17	MFX48ULXZW	27, 31	RL3075	79	SPC525R8	40
LC6BX	17	MFX48X	27	RL3675	79	SPC625	40
LC6WX	17	MFX48X	31	RL4BNP	23	SPC625R6	40
LC7BX	17	MFX48XZW	27, 31	RL4BNPZW	23	SPC625R8	40
LC7BXZ	17	MFX58	31	RL4P	23	SPC725	40
LC7WX	17	MFX58X	31	RL4PZW	23	SPC725R6	40
LC7WXZ	17	MFX58XZW	31	RL6BNP	23	SPC725R8	40
LC8BX	17	MFX68	31	RL6BNPZW	23	SPC825	40
LC8BXZ	17	MFX68X	31	RL6P	23	SPC825R6	40
LC8WX	17	MFX68XZW	31	RL6PZW	23	SPC825R8	40
LC8WXZ	17	MFX78X	31	SDV4WXZW4	21	SPC925	40
LH3BXZ	7	MFX88X	31	SEVPX	20	SPC925R6	40
LH3WXZ	7	MLFVK48E	48	SEVZW	20	SPC925R8	40
LH4BXZ	7	MRR1410	85	SIS105	84	TC4	68
LH4WXZ	7	MRR145	85	SIS105R6	84	TD425	26
LH5BXZ	7	MRR185	85	SIS125	84	TD450	26
LH5WXZ	7	MRR1850	85	SIS125R6	84	TD48D2DZW	53
LH5WXZW	7	MRR2010	85	SIS145	84	TD48PGKZW	46
LH6BXZ	7	MRR2450	85	SIS145R6	84	TD48PGKZW6	46
LH6WXZ	7	MRR3650	85	SIS165	84	TD48PMKZW	45
MC1025	34	MVC410B10	78	SIS165R6	84	TD48PMKZW6	45
MC1025UL	34	MVC410W10	78	SIS45	84	TD48PVKZW	44
MC12225UL	34	MVC815	78	SIS45R6	84	TD48PVKZW6	44
MC1225	34	P3E	29	SIS55	84	TDIDVKZW	47
MC1425UL	34	P3E20ZW	29	SIS55R6	84	UD48	28
MC1625UL	34	P430	29	SIS65	84	UD48S	28
MC1825UL	34	P460	29	SIS65R6	84	WRR1410	85
MC2025UL	34	P4E	29	SIS75	84	XPC325	37
MC325UL	34	P4E20ZW	29	SIS75R6	84	XPC410	37
MC3ZW	69	PB10	71	SIS85	84	XPC425	37
MC425	34	PBH50WZW	22	SIS85R6	84	XPC525	37
MC425UL	34	PBH50BZW	22	SIS95	84	XPC610	37
MC4X	69	PCABXZW	60	SIS95R6	84	XPC625	37
MC4ZW	69	PCIT4WZW	86	SPC1025	40	XPC725	37
MC525	34	PCPBZW	59	SPC1025R6	40	XPC825	37
MC525UL	34	PGC4BX	18	SPC1025R8	40		
MC5ZW	69	PGC4WX	18	SPC1225	40		
MC625	34	PGC4WXZW	18	SPC1225R6	40		
MC625UL	34	PGH4BXZ	9	SPC1225R8	40		
MC6ZW	69	PGH4WXZ	9	SPC1425	40		
MC725UL	34	PMC4BX	16	SPC1425R6	40		
MC825	34	PMC4WX	16	SPC1425R8	40		

CUSTOM PLAN-O-GRAM SIZES AVAILABLE

Please contact your local sales representative



AIR DISTRIBUTION PRODUCTS



Scan this code to see how we've changed our packaging and the customer experience to help you grow sales





11099 Broadway, Alden, New York, USA 14004
80 West Drive, Brampton, Ontario, Canada L6T 3T6

1-800-387-2578
www.dundasjafine.com