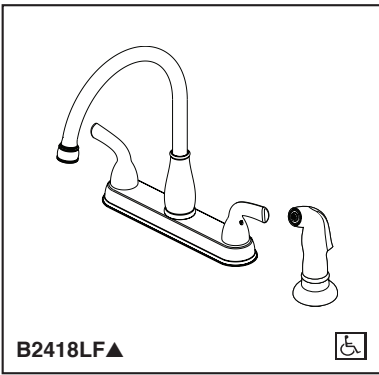




see what Delta can do™

KITCHEN FAUCET

■ Two Handle Deck Mount



STANDARD SPECIFICATIONS

- Maximum 1.8 gpm @ 60 psi, 6.8 L/min @ 414 kPa
- Three or four hole mount
- Spout rotates 360°
- Hot and cold stems are interchangeable
- Metal lever handle with 1/4 turn handle stops
- Control mechanism shall be of the rotating cylinder type with stainless steel plate and replaceable non-metallic seats
- 1/2-14 NPSM threaded male inlet shanks
- Model has antisiphon device as integral part of valve body

WARRANTY

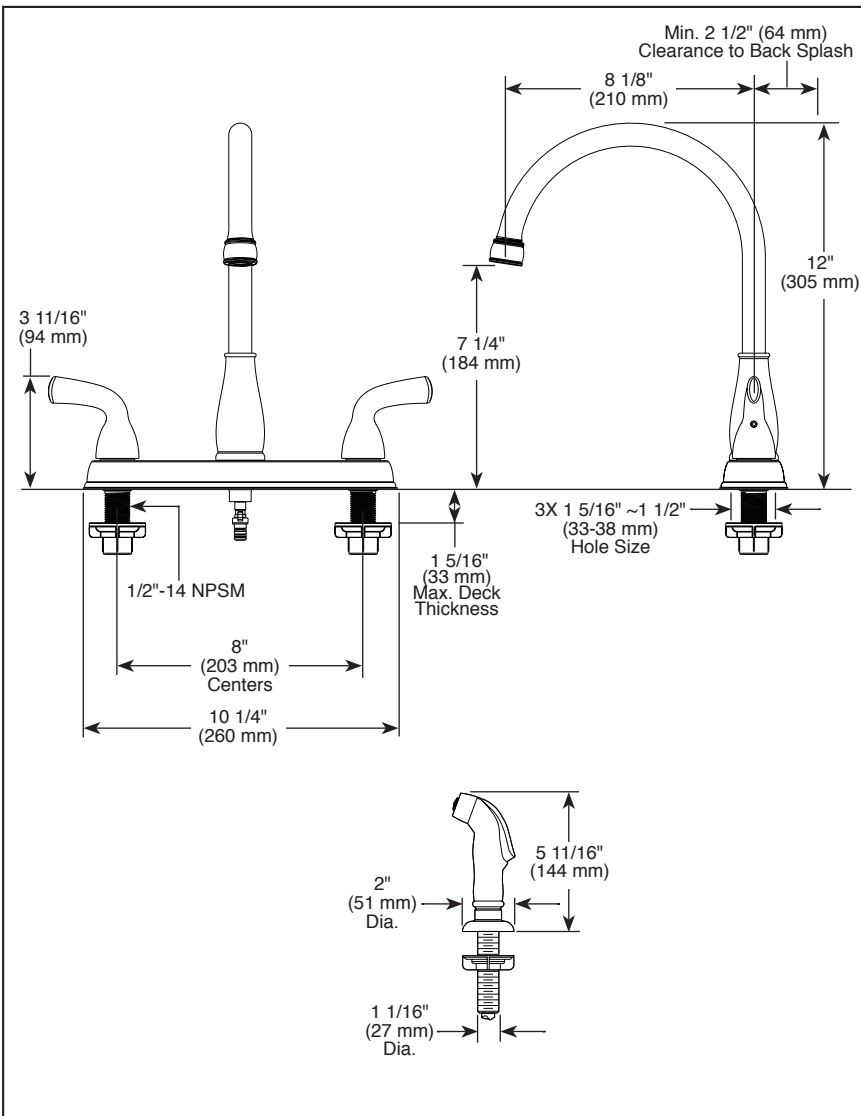
- Parts and Finish - Lifetime limited warranty; or for commercial purchasers, 10 years for multi-family residential (apartments and condominiums) and 5 years for all other commercial uses, in each case from the date of purchase.
- Electronic Parts and Batteries (if applicable) - 5 years from the date of purchase; or for commercial purchasers, 1 year from the date of purchase. No warranty is provided on batteries.

COMPLIES WITH:

- ASME A112.18.1 / CSA B125.1
- Indicates compliance to ICC/ANSI A117.1

Submitted Model No.: _____

Specific Features: _____



▲ Designate Proper Finish Suffix

Delta reserves the right (1) to make changes in specifications and materials, and (2) to change or discontinue models, both without notice or obligation. Dimensions are for reference only. See current full-line price book or www.deltafaucet.com for finish options and product availability.

DSP-K-B2418LF Rev. A

Delta Faucet Company

55 E. 111th Street, Indianapolis, IN 46280
350 South Edgeware Road, St. Thomas, ON N5P 4L1
© 2019 Delta Faucet Company