



see what Delta can do™

60" X 32" SHOWER BASE

- Classic 500™
- Right Drain or Left Drain

STANDARD SPECIFICATIONS:

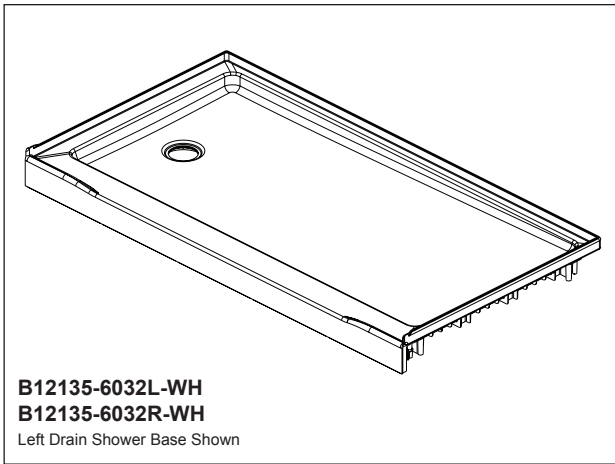
- Caulkless Installation
- Direct-to-stud installation
- Made with High-Gloss ProCrylic™ Material
- Textured Bottom
- Uses Standard Shower Stall Drain with 4 1/4" Strainer
- 10 Year Limited Residential Warranty
- 1 Year Limited Commercial Warranty

COLOR/FINISH

- White

COMPLIES WITH:

- CSA B45.5/IAPMO Z124



B12135-6032L-WH
B12135-6032R-WH
Left Drain Shower Base Shown

Submitted Model No.: _____

Specific Features: _____

