

75251C

Submitted Model No.: _____

Specific Features: _____

75251C 1.75 GPM



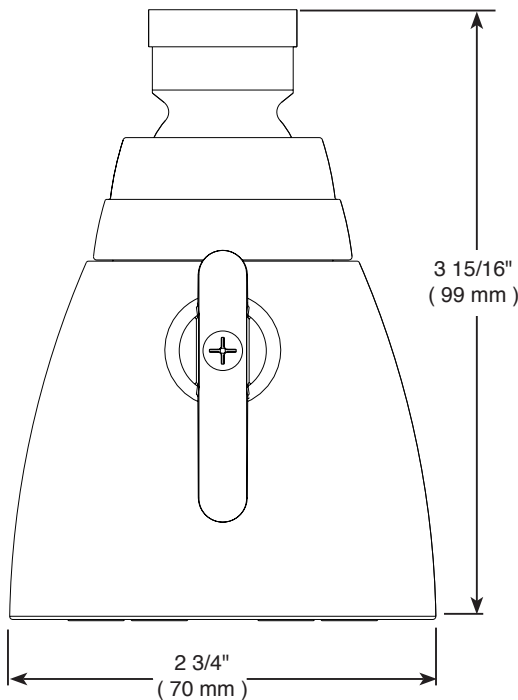
Full Body
Spray



Drenching Full
Spray



Shampoo
Rinse Spray



▲ Designate proper finish suffix



see what Delta can do™

SHOWERHEAD

■ Adjustable Setting Showerhead

STANDARD SPECIFICATIONS:

- Maximum 1.75 gpm @ 80 psi, 6.6 L/min @ 550 kPa
- 1/2" multi-directional metal ball connector
- 6 spray jets with adjustable sprays and metal ball connector
- Lever control knob to adjust water velocity
- Showerhead with three settings - not a positive shut-off
- The ball swivel angle is 16° (8° per side)

WARRANTY

- Lifetime limited warranty on parts (other than electronic parts and batteries) and finishes; or, for commercial users, for 5 years from the date of purchase.
- 5 year limited warranty on electronic parts (other than batteries); or for commercial users, for 1 year from the date of purchase. No warranty is provided on batteries.



COMPLIES WITH

- ASME A112.18.1 / CSA B125.1
- EPA WaterSense®

Delta reserves the right (1) to make changes in specifications and materials, and (2) to change or discontinue models, both without notice or obligation. Dimensions are for reference only. See current full-line price book or www.deltafaucet.com for finish options and product availability.

DSP-B-75251C Rev. A

Delta Faucet Company

55 E. 111th Street, Indianapolis, IN 46280
350 South Edgeware Road, St. Thomas, ON N5P 4L1
© 2017 Delta Faucet Company