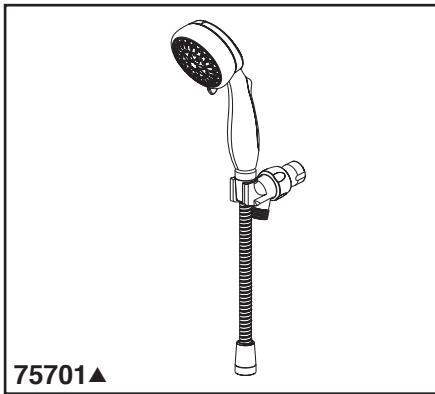




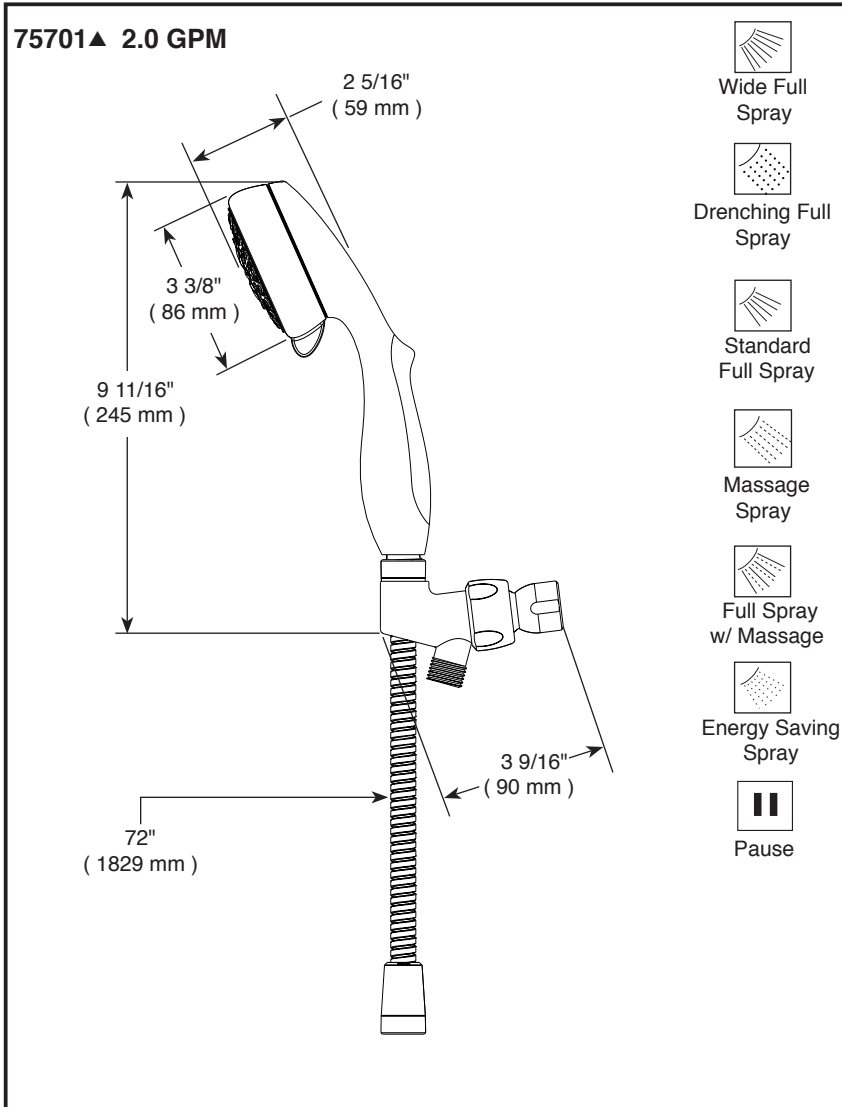
HAND SHOWER

- 7-Spray settings arm mount handshower
- Touch-Clean® & Anti-Clog nozzles



Submitted Model No.: _____

Specific Features: _____



STANDARD SPECIFICATIONS:

- Maximum flow rate 2.0 gpm @ 80 PSI, 7.6L/min @ 552kPa.
- 72"(1829mm) Ultra Flex hose.
- Model includes shower arm mount.
- Adjustable shower arm mount allows for hands-free showering.
- Easy-turn spray dial.
- Ergonomic, Non-Slip handle.
- Hand held shower with seven spray settings - not a positive shut-off.

WARRANTY

- Lifetime limited warranty on parts (other than electronic parts and batteries) and finishes: or, for commercial users, for 5 years from date of purchase.
- 5 year limited warranty on electronic parts (other than batteries); or, for commercial users, for 1 year from the date of purchase. No warranty is provided on batteries.



COMPLIES WITH

- ASME A112.18.1 / CSA B125.1
- EPA WaterSense®



55 E. 111th Street, Indianapolis, Indiana 46280
 350 South Edgeware Road, St. Thomas, Ontario Canada N5P 4L1
 © 2015 Masco Corporation of Indiana