

The logo features the word "DELTA" in a bold, red, sans-serif font with a metallic, 3D effect. The letters are set within a silver, oval-shaped frame that has a beveled, metallic appearance. The background of the entire image is a dark grey or black surface with a repeating pattern of raised, diamond-shaped metallic studs, similar to a truck's diamond plate floor.

DELTA

Truck Storage Solutions

CATALOG

Warranty – Standard Limited Lifetime

Apex warrants to each original Customer of Products sold by Apex that such Products (excluding carrying cases and storage accessories) are, at the time of delivery to the Customer, free of material and workmanship defects, provided that no warranty is made with respect to: (a) any Product which has been modified, disassembled and/or reassembled or altered in any way or improperly installed; (b) any Product which has, in Apex's judgment, been subject to negligence, misuse, abuse, accident, improper storage or damage during shipment; (c) any Product which has not been operated and maintained in accordance with normal practice and in conformity with recommendations and published specifications of Apex; and (d) any Products which have been serviced or repaired by anyone other than an Authorized Repair Center of Apex or modified by anyone other than Apex. Normal wear and tear is also excluded.

These warranties set forth herein are the sole warranties applicable to Products and is in lieu of all other warranties, whether express, implied or statutory. The implied warranties of merchantability and fitness for a particular purpose are specifically excluded.

Remedies: Customer's sole and exclusive remedy for breach of this Warranty is, at the option of Apex, repair or replacement of the defective product.

Truck Storage Solutions

DELTA PRO

Delta PRO Limited Edition Crossover	4
Delta PRO Aluminum Crossovers & Innersides	6
Delta PRO Steel Crossovers & Innersides	8
Delta PRO Aluminum Chests and Aluminum & Steel Trailer Tongue Boxes	10
Delta PRO Aluminum & Steel Topside Boxes	12
Delta PRO Aluminum & Steel Underbed Boxes	14

DELTA CHAMPION

Delta Champion Gear-Lock™ Truck Boxes	18
Delta Champion Crossovers	18
Delta Champion Innersides	18
Delta Champion Chests	18

DELTA

Delta Aluminum Crossovers & Innersides	20
Delta Aluminum Chests	20
Delta Value Aluminum Crossovers & Innersides	26
Delta Aluminum Portable Utility Chests	28
Delta Value Aluminum Chests For Trucks & Trailer Tongue Boxes	30
Delta Steel Crossovers & Innersides	32
Delta Steel Chests & Wheel Well Boxes	34
Delta Structural Foam Crossovers	36

Liquid Transfer Tanks

DELTA

Delta Aluminum Liquid Transfer Tanks	38
Delta Steel Liquid Transfer Tanks	40

On-Site Storage

JOBSITE

JOBSITE Heavy-Duty Chests & Piano Box	42
---	----

Truck And Van Racks

KARGOMASTER

Kargomaster PRO III™ & PRO IV™ Adjustable Ladder Racks & Quick Pac™ Racks	46
Kargomaster Econo™ Racks & Van Racks	48
Kargomaster PRO II™ Industrial-Grade Ladder Racks	50
Kargomaster Ladder Rack Accessories	52
Fitment Section	54
How To Measure Your Truck	60



When it comes to durable, weather-resistant and innovative storage solutions for trucks and job sites, Delta Consolidated Industries and its brands - JOBOX, Delta PRO, Delta Champion, Delta, JOBSITE and KargoMaster - have been leading the way for over 40 years. We utilize cutting-edge technology and state-of-the-art materials to improve the strength, security, appearance and convenience of our products. At Delta Consolidated Industries, we ensure that you get the best storage solutions available.

Founded in the late 1940's in Jonesboro, AR, - the company originally made silos for the booming farming industry in the delta region of the Mississippi River. In 1961, Delta Consolidated Industries designed and manufactured the first steel truck box to address a rapidly growing demand for truck storage solutions. Delta Consolidated Industries continued to focus on tool storage solutions by being the first to address corrosion resistance and styling with the addition of the aluminum truck box and beveled edge lid design.

Today, Delta Consolidated Industries continues to lead the industry in truck and on-site storage innovation. Delta Consolidated Industries manufacturing is proudly located in Jonesboro, AR and employs over 300 associates and is a division of the Apex Tool Group.

DELTA PRO™



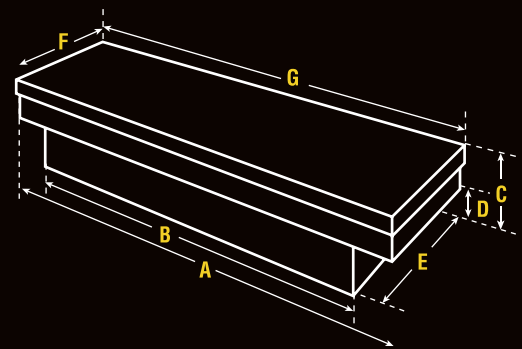
Delta PRO offers the best and most innovative features in truck storage solutions. Delta PRO Crossovers, Innersides and Chests utilize the Self-Adjusting Gear-Lock™ Dual Rotary Locking System and Self-Aligning Latch Pins to maintain a tight-fitting lid. No adjustments are needed to keep the lid locked down tight. The Gear-Lock™ Locking System, heavily-reinforced lids and high-strength body will resist over 1,000 pounds of prying force to break in. Delta PRO Topside and Underbed Boxes have a 3-Point Locking System that locks the heavily-reinforced doors on both sides and the top for superior security. Delta PRO products are covered by a 3-Year Limited Warranty. *Contact Customer Service for information on Delta's Keyed Alike Product.

DELTA PRO Limited Edition Truck Boxes



Delta PRO Limited Edition aluminum Truck Box is the cutting edge in truck box design, providing superior security for tools and equipment. The combination of our Gear-Lock™ Dual Rotary Locking System, RSL™ Rigid Structural Lid and our high-Strength Body will resist over 1,000 pounds of prying force to break in. Our Limited Edition Lid Style showcases a unique rounded lid design style which complements the latest in truck body styling, and enhances the appearance of all truck makes and models.

- Gear-Lock™ End-Mounted Push Button Locks Ratchets Lid to Box for Superior Security
- Self Aligning Latch Pins Pivot From Side-To-Side and Lock the Lid Into Gear-Lock™ for Premium Security
- RSL™ Laminated Rigid Structural Lid Bolster for Superior Strength
- Built in Storage Bins on Both Ends for Convenient Small Item Storage
- Heavy-Duty Guards protect the vertical-action gas spring lid lifts and help ensure long-term durability.
- High-Strength Body and Full-Width Lock Console Resist Cargo Damage and Protects the Locking Mechanism
- 4 Compartment Storage Tray Assists with Organization
- Wide Top Box Flanges Provide Extra Strength and Durability
- Lids Lock From Drivers Side and Be Can Opened From Both Sides of Vehicle



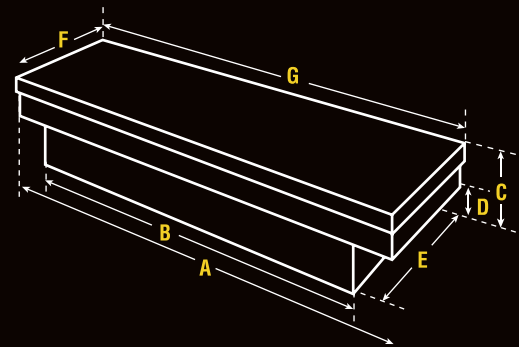
Cat. No.	Size	A	B	C	D	E	F	G	Usable Cu. Ft.	Approx. Shipping Wt.
1701000	Deep Super Duty & Fullsize Deep	71.125 in	58.75 in	18 in	12 in	20.25 in	21 in	72.125 in	11.9 ft ²	77.0 lb

DELTA PRO Aluminum Crossovers



Delta PRO aluminum Crossovers provide superior security for tools and equipment. The combination of our Gear-Lock™ Dual Rotary Locking System, RSL™ Rigid Structural Lid and our high-Strength Body will resist over 1,000 pounds of prying force to break in.

- Gear-Lock™ Self-adjusting Dual Rotary Locking System always latches and closes for superior security.
- Self-aligning Latch Pins pivot from side-to-side to engage with the Gear-Lock™ System. no adjustments required.
- High-Strength RSL™ Laminated 3-Layer Rigid Structural Lid is the strongest, most rigid aluminum lid we've tested.
- Reinforced high-Strength Body and Full-Width Lock Console resists cargo damage and protects the lock system.
- Heavy-Duty Guards protect the vertical-action gas spring lid lifts and help ensure long-term durability.
- End-mounted Push Buttons provide easy access. Lid locks and unlocks from either side for security and safety.
- Built-in Storage Bin on both ends and 4-Compartment Sliding Tray for convenient hand tool and small item storage.



Bright Cat. No.	Black Cat. No.	Size	A	B	C	D	E	F	G	Usable Cu. Ft.	Approx. Shipping Wt.
Low-Profile Single Lid Aluminum Crossovers											
PAC1357000	PAC1357002	Fullsize	70 in	60.25 in	15.125 in	12.125 in	17.875 in	21 in	71.125 in	9.1 ft ²	76.5 lb
Single Lid Aluminum Crossovers											
PAC1580000	PAC1580002	Fullsize	70.125 in	60.125 in	14.25 in	9 in	20.25 in	20.875 in	71 in	9.2 ft ²	76.5 lb
PAC1582000	PAC1582002	Deep Fullsize	70.125 in	60.125 in	17.25 in	12 in	20.25 in	20.875 in	71 in	11.3 ft ²	80.0 lb
PAC1584000	PAC1584002	Ford Super-Duty & Dodge RAM	73.125 in	63.125 in	14.25 in	9 in	20.25 in	20.875 in	74 in	9.7 ft ²	80.5 lb
PAC1585000	PAC1585002	Super Deep Fullsize	70.125 in	60.125 in	19.875 in	14.625 in	20.25 in	21 in	71 in	13 ft ²	83.0 lb
PAC1587000	PAC1587002	Compact	60.125 in	50.125 in	11.25 in	6 in	20.25 in	20.875 in	61 in	6.1 ft ²	69.0 lb

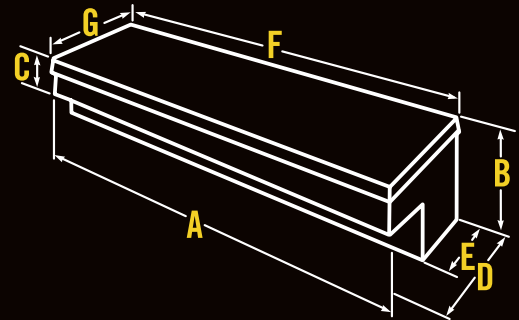
Bright	Black											
Cat. No.	Cat. No.	Size	A	B	C	D	E	F	G	Usable Cu. Ft.	Approx. Shipping Wt.	
PAC1589000	PAC1589002	Mid-Size	62.625 in	25.625 in	13.625 in	8.375 in	20.25 in	20.875 in	63.5 in	8 ft ²	73.0 lb	
Mid-Lid Dual Lid Aluminum Crossovers												
PAC1596000	—	Fullsize	70.125 in	60.125 in	14.25 in	9 in	20.25 in	20.875 in	71 in	9.2 ft ²	62.5 lb	
PAC1597000	—	Compact	60.125 in	50.125 in	11.25 in	6 in	20.25 in	20.875 in	61 in	6.1 ft ²	55 lb	

DELTA PRO Aluminum Innersides



Delta PRO aluminum Innersides utilize the same Gear-Lock™ System, Self-Centering Latch Pin, RSL™ Lid and high-Strength Body Design as the Crossovers. They mount on the top of the bed side walls and are ideal for storing longer tools and equipment. Innersides help keep the bed free for storing bulky items. Combine Innersides with a Crossover to create a wrap-around storage system.

- Gear-Lock™ Self-adjusting Dual Rotary Locking System always latches and closes for superior security.
- Self-aligning Latch Pins pivot from side-to-side to engage with the Gear-Lock™ System. no adjustments required.
- High-Strength RSL™ Laminated 3-Layer Rigid Structural Lid is the strongest, most rigid aluminum lid we've tested.
- Reinforced high-Strength Body and Full-Width Lock Console resists cargo damage and protects the lock system.
- Heavy-Duty Guards protect the vertical-action gas spring lid lifts and help ensure long-term durability.
- Built-In Full-Length Storage Compartment for small tools and parts.
- Mounting Kit includes support legs and hardware.
- All models available with Diamond Black Powder Coat finish.



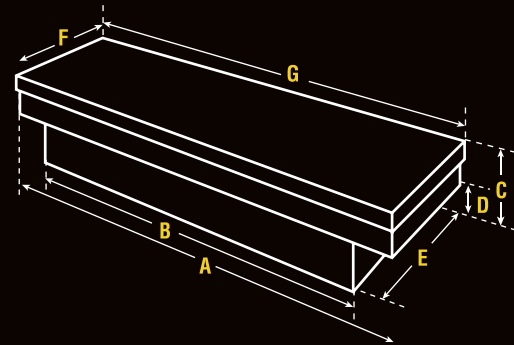
Bright	Black											
Cat. No.	Cat. No.	Size	A	B	C	D	E	F	G	Usable Cu. Ft.	Approx. Shipping Wt.	
PAN1441000	PAN1441002	48 1/2" Long Lid	47.75 in	11 in	5.375 in	12.125 in	7.875 in	48.5 in	13 in	2.7 ft ²	28.5 lb	
PAN1442000	PAN1442002	58 1/2" Long Lid	57.75 in	11 in	5.375 in	12.125 in	7.875 in	58.5 in	13 in	3.2 ft ²	32 lb	

DELTA PRO Steel Crossovers



Delta PRO Single Lid and Dual Lid Steel Crossovers provide superior security for tools and equipment. The combination of our Gear-Lock™ System, Reinforced Lids and our high-Strength Body will resist up to 1,000 pounds of prying force to break in..

- Gear-Lock™ Self Adjusting Dual Rotary Lock System Always Latches and Closes for Superior Security
- Self-Aligning Latch Pins Pivot From Side-To-Side to Engage with Gear-Lock™ System. No Adjustment Required
- High-Strength Body Resists Cargo Damage and Protects the Lock System
- End-Mounted Push Buttons Provide Easy Access
- Heavy-Duty Guards on Single Lid Models Protect the Gas Springs and Extend Long Term Durability
- High-Strength, Self-Rising Lids Will Resist Attempted Break-Ins Better Than Other Steel Lids
- Built in Storage Bins on Both Ends and 4-Compartment Sliding Tray for Convenient Small Item Storage
- Tough Armor-Brite® Powder Paint Finish has Superior Rust Resistance



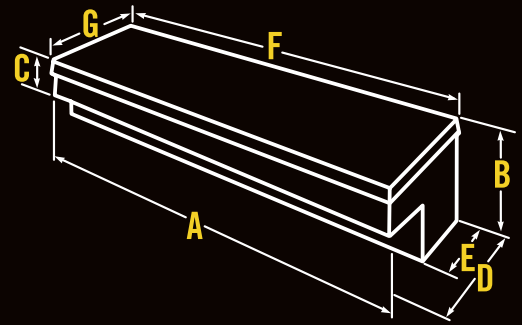
White Cat. No.	Black Cat. No.	Size	A	B	C	D	E	F	G	Usable Cu. Ft.	Approx. Shipping Wt.
Single Lid Steel Crossovers											
PSC1455000	PSC1455002	Fullsize	70.125 in	60.125 in	14.25 in	9 in	20.25 in	20.875 in	71 in	9.2 ft ²	94.0 lb
PSC1456000	PSC1456002	Deep Fullsize	70.125 in	60.125 in	17.25 in	12 in	20.25 in	20.875 in	71 in	11.3 ft ²	101.0 lb
PSC1457000	PSC1457002	Deep & Extra-Wide Fullsize	70.125 in	60.125 in	17.25 in	12 in	29.25 in	30 in	71 in	13.5 ft ²	175.5 lb
PSC1458000	PSC1458002	Compact	60.125 in	50.125 in	11.25 in	6 in	20.25 in	20.875 in	61 in	6.1 ft ²	77.0 lb
Gull Wing Dual Lid Steel Crossovers											
PSC1460000	PSC1460002	Fullsize	70.125 in	60.125 in	14.25 in	9 in	20.25 in	20.875 in	71 in	9.2 ft ²	85.0 lb
PSC1461000	PSC1461002	Deep Fullsize	70.125 in	60.125 in	17.25 in	12 in	20.25 in	20.875 in	71 in	11.3 ft ²	93.0 lb

DELTA PRO Steel Innersides



Delta PRO Steel Innersides utilize the same Gear-Lock™ System, Self-Centering Latch Pin, Reinforced Lid and high-strength Body Design as the Crossovers. They mount on the top of the bed side walls and are ideal for storing longer tools and equipment. Innersides help keep the bed free for storing bulky items. Combine Innersides with a Crossover to create a wrap-around storage system.

- New Gear-Lock™ Push Button Lock Ratchets Lid to Box for Superior Security
- Self Aligning Latch Pins Pivot From Side-To-Side and Lock the Lid Into Gear-Lock™ for Premium Security
- High-Strength Body and Full-Width Lock Console Resist Cargo Damage and Protects the Locking Mechanism
- Self Rising Lids with Dual Gas Spring Lid Lifts for Easy Access
- Tough Armor-Brite® Powder Paint Finish Has Superior Rust Resistance
- RSL™ Laminated Rigid Structural Lid Bolster for Superior Strength
- Built in Front Storage for Convenient Small Item Storage
- Includes Mounting Kit and Supporting Legs with Hardware



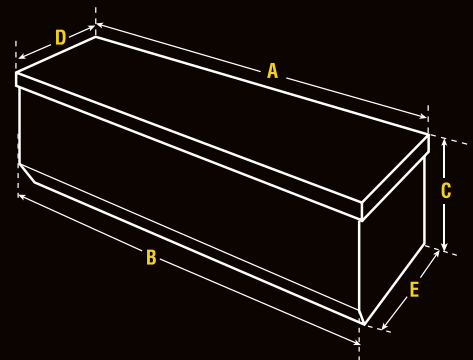
White Cat. No.	Black Cat. No.	Size	A	B	C	D	E	F	G	Usable Cu. Ft.	Approx. Shipping Wt.
PSN1451000	PSN1451002	47 1/2" Long Lid	47.75 in	11.125 in	5.375 in	12.25 in	8.25 in	47.5 in	12 in	2.6 ft ²	48.5 lb
PSN1452000	PSN1452002	58 1/2" Long Lid	57.75 in	11.125 in	5.375 in	12.25 in	8.25 in	58.5 in	12 in	3.2 ft ²	60.0 lb

DELTA PRO Aluminum Chests



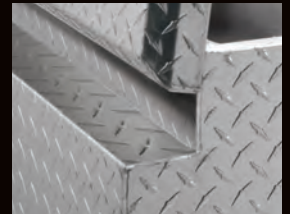
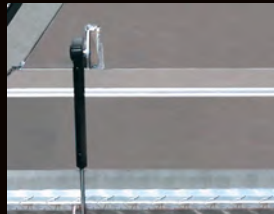
Delta PRO aluminum Chests provide superior security for tools and equipment. The combination of our Gear-Lock™ Dual Rotary Locking System, RSL™ Rigid Structural Lid and our high-Strength Body will resist over 1,000 pounds of prying force to break in.

- Gear-Lock™ Self-Adjusting Dual Rotary Locking System always latches and closes for superior security
- Self Aligning Latch Pins Pivot From Side-To-Side and Lock the Lid Into Gear-Lock™ for Premium Security
- RSL™ Laminated Rigid Structural Lid Bolster for Superior Strength
- High-Strength Body and Full-Width Lock Console Resist Cargo Damage and Protects the Locking Mechanism
- Self Rising Lids with Dual Gas Spring Lid Lifts for Easy Access
- Leak-Proof Stainless Steel Paddle Handles prevent moisture from entering the interior
- Recessed hinge allows the lid to fully open when the chest is placed against the bed back wall
- Universal Fit Design features a tapered bottom section on the ends and front wall



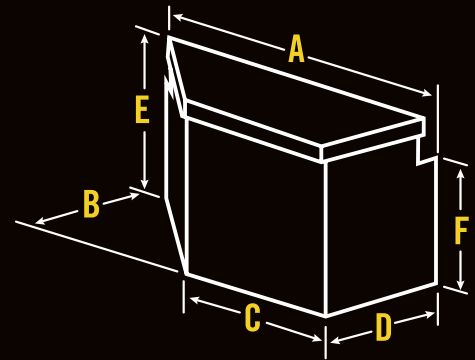
Bright Cat. No.	Black Cat. No.	Size	A	B	C	D	E	Usable Cu. Ft.	Approx. Shipping Wt.
PAH1420000	PAH1420002	SWB Fullsize	61 in	60.125 in	19.375 in	20.625 in	18.75 in	12.1 ft ²	53.0 lb
PAH1421000	PAH1421002	Compact	16.875 in	46 in	16.25 in	17.625 in	14.875 in	6.3 ft ²	45.5 lb
PAH1424000	PAH1424002	Extra-Wide Fullsize	61 in	60.125 in	19.375 in	27.625 in	24.875 in	17 ft ²	68.0 lb

DELTA PRO Aluminum Trailer Tongue Boxes



Delta PRO Trailer Tongue Boxes provide superior security and weather-tight storage. Deep Recessed hinge allows the box to fully open when placed against a rail or trailer wall.

- Rugged Construction and Beveled Edge Lid for greater strength and security.
- Offset Gas Spring Lid Lift allows easier access for loading and unloading from the driver's side.
- Fully-adjustable Lid Striker helps maintain a tight, moisture-resistant seal between the lid and body.
- Leak-Proof Stainless Steel Paddle handle prevents back spray from entering. Lock cylinder includes cap to seal out moisture.
- Full Weather Stripping seals out moisture and dust.
- Aluminum models available in Bright Tread or Black Powder Coat finish.



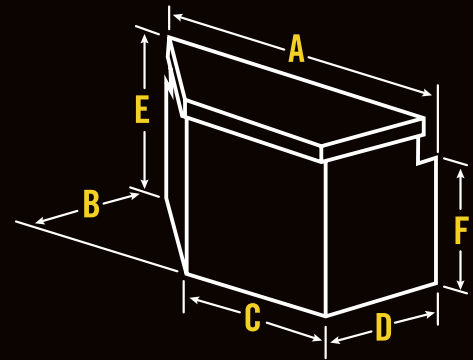
Bright Cat. No.	Black Cat. No.	Size	A	B	C	D	E	Usable Cu. Ft.	Approx. Shipping Wt.
415000D	415002D	33" Long	32.875 in	16 in	20 in	16.25 in	16 in	4.5 ft ³	25.5 lb
416000	416002	48" Long	48 in	18 in	25 in	18.25 in	18 in	6.1 ft ³	33.5 lb

DELTA PRO Steel Trailer Tongue Boxes



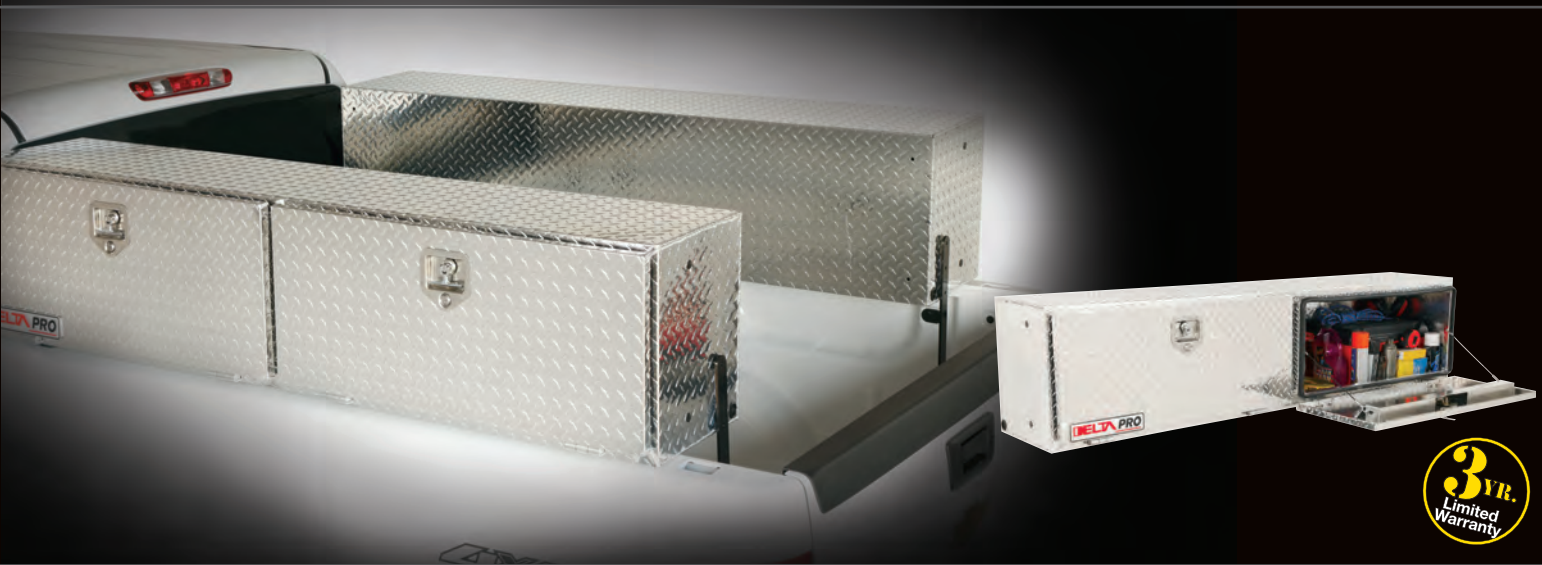
Delta PRO Trailer Tongue Boxes provide superior security and weather-tight storage. Deep Recessed hinge allows the box to fully open when placed against a rail or trailer wall.

- Rugged Construction and Beveled Edge Lid for greater strength and security. Steel models made of heavy 16-gauge steel.
- Offset Gas Spring Lid Lift allows easier access for loading and unloading from the driver's side.
- Fully-adjustable Lid Striker helps maintain a tight, moisture-resistant seal between the lid and body.
- Leak-Proof Stainless Steel Paddle handle prevents back spray from entering. Lock cylinder includes cap to seal out moisture.
- Full Weather Stripping seals out moisture and dust.
- Steel models have Armor-Brite® White or Black Powder Coat finish.



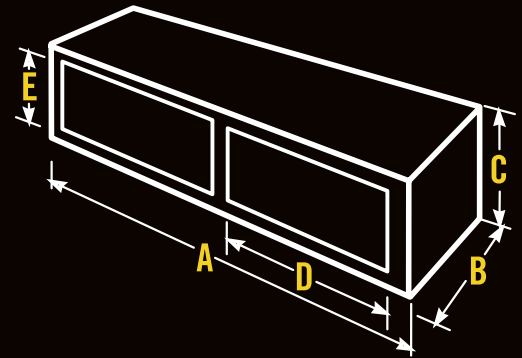
White Cat. No.	Black Cat. No.	Size	A	B	C	D	E	Usable Cu. Ft.	Approx. Shipping Wt.
422000	422002	33" Long	32.875 in	16 in	20 in	16.25 in	16 in	4.5 ft ³	72.0 lb
423000	423002D	48" Long	48 in	18 in	25 in	18.25 in	18 in	6.1 ft ³	97.5 lb

DELTA PRO Aluminum Topsides



Delta PRO Topside Boxes provide superior security and easy access. Topsides mount on top of the side walls to keep the bed free for bulky cargo. 3-Point Locking System locks each door at the top and sides for greater security. Tall 12" door openings provide easy access to larger items. heavy-duty construction for long-term durability.

- Reinforced Rain Gutter Doors Seal Around Topside Opening to Prevent Leakage or Moisture
- Heavy-Duty Hinges Provide High Strength Security and Longevity
- Stainless Steel Rotating T-Handle Pulls the Door Tight Against the Seal
- Quick Release Coated Aircraft Cables Allow Door to Drop Down 180 Degrees for Full Accessibility
- Automotive Bulb Weather Stripping Seals Door 360°
- Mounting Kit Includes Support Legs and Hardware



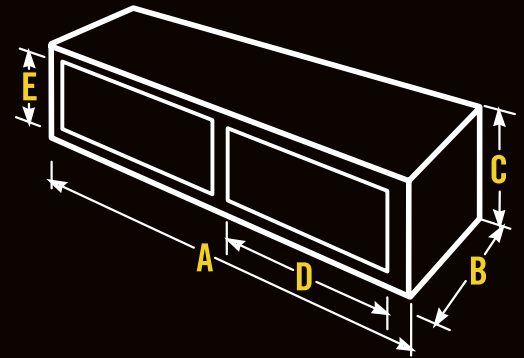
Bright Cat. No.	Black Cat. No.	Size	A	B	C	D	E	Usable Cu. Ft.	Approx. Shipping Wt.
570000	570002	44" Long	44 in	15 in	17 in	40 in	12.75 in	5.7 ft ²	32.0 lb
571000D	571002D	65" Long	65 in	15 in	17 in	28.5 in	12.75 in	8.5 ft ²	50.0 lb
572000	572002D	72" Long	72 in	15 in	17 in	40 in	12.75 in	9.4 ft ²	55.0 lb
573000	573002	88" Long	88 in	15 in	17 in	40 in	12.75 in	11.5 ft ²	58.0 lb
574000D	574002D	96" Long	96 in	15 in	17 in	40 in	12.75 in	12.5 ft ²	63.0 lb

DELTA PRO Steel Topsides



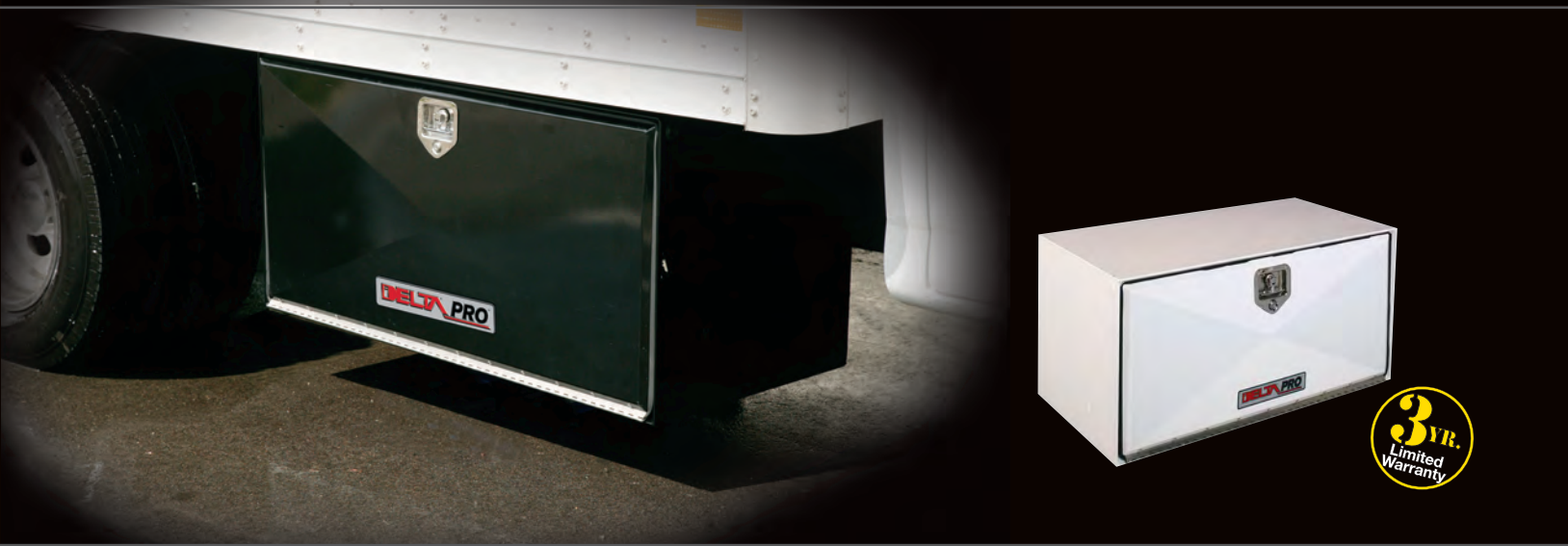
Delta PRO Topside Boxes provide superior security and easy access. Topsides mount on top of the side walls to keep the bed free for bulky cargo. 3-Point Locking System locks each door at the top and sides for greater security. Tall 12" door openings provide easy access to larger items. Heavy-duty construction for long-term durability.

- Reinforced Rain Gutter Doors Seal Around Topside Opening to Prevent Leakage or Moisture
- Heavy-Duty Hinges Provide High Strength Security and Longevity
- Stainless Steel Rotating T-Handle Pulls the Door Tight Against the Seal
- Quick Release Coated Aircraft Cables Allow Door to Drop Down 180 Degrees for Full Accessibility
- Automotive Bulb Weather Stripping Seals Door 360°
- Mounting Kit Includes Support Legs and Hardware
- Tough Armor-Brite® Powder Paint Finish Has Superior Rust Resistance
- Optional Steel Storage Shelf



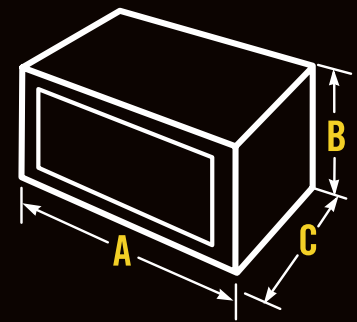
White Cat. No.	Black Cat. No.	Size	A	B	C	D	E	Usable Cu. Ft.	Approx. Shipping Wt.
575000	575002	44" Long	44 in	15 in	17 in	40 in	12.75 in	5.7 ft ²	72.0 lb
576000	576002D	65" Long	65 in	15 in	17 in	28.5 in	12.75 in	8.5 ft ²	107.0 lb
577000	577002	72" Long	72 in	15 in	17 in	40 in	12.75 in	9.4 ft ²	118.0 lb
578000	578002	88" Long	88 in	15 in	17 in	40 in	12.75 in	11.5 ft ²	140.0 lb
579000	579002	96" Long	96 in	15 in	17 in	40 in	12.75 in	12.5 ft ²	146.0 lb

DELTA PRO Steel Underbed Boxes



Delta PRO Steel Underbed Boxes are built for protecting heavy tools and equipment in the toughest conditions. Durable weather stripping forms a tight seal to prevent moisture from entering. 3-Point Locking System draws the door tight against the weather stripping surrounding the door opening. It locks the door at the top and on both sides.

- Wider, Taller Door Opening for Easier Access
- Made of 14 Gauge Industrial Grade Steel
- Hinge Design Allows Door to Drop Down When Cables Are Removed
- Quick-Release Coated Aircraft Cables Allow Door to Drop Down for Easy Access to Equipment in Underbed
- V-Groove Door Frame, Weather Stripping and Beveled Edge Door Create a Tight Seal
- Lock Guard Reinforces the Door for Incredible Strength
- 3-Point Locking System Has a Rotating T-Handle with Drill Resistant Lock



Black Cat. No.	White Cat. No.	Size	A	B	C	Approx. Shipping Wt.
14" Tall x 12" Deep - Steel Underbed Boxes						
1-001002	1-001000	24" Long	24 in	14 in	12 in	51.0 lb
1-002002	1-002000	36" Long	36 in	14 in	12 in	68.0 lb
18" Tall x 18" Deep - Steel Underbed Boxes						
1-003002	—	24" Long	18 in	18 in	18 in	56.5 lb
1-004002	1-004000	24" Long	24 in	18 in	18 in	70.0 lb
1-005002	1-005000	30" Long	30 in	18 in	18 in	81.0 lb
1-006002	1-006000	36" Long	36 in	18 in	18 in	91.5 lb
1-007002	1-007000	48" Long	48 in	18 in	18 in	118.0 lb
1-008002	1-008000	60" Long	60 in	18 in	18 in	142.0 lb
1-009002	1-009000	72" Long	72 in	18 in	18 in	168.0 lb

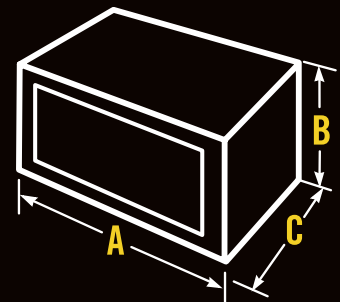
Black Cat. No.	White Cat. No.	Size	A	B	C	Approx. Shipping Wt.
24" Tall x 24" Deep - Steel Underbed Boxes						
1-011002	—	30" Long	30 in	24 in	24 in	100.0 lb
1-012002	—	36" Long	36 in	24 in	24 in	114.0 lb
1-013002	1-013000	48" Long	48 in	24 in	24 in	148.0 lb
1-014002	—	60" Long	60 in	24 in	24 in	176.0 lb

DELTA PRO Aluminum Underbed Boxes



Delta PRO aluminum Underbed Boxes are built for protecting heavy tools and equipment in the toughest conditions. Durable weather stripping forms a tight seal to prevent moisture from entering. 3-Point Locking System draws the door tight against the weather stripping surrounding the door opening. It locks the door at the top and on both sides.

- Heavy-duty 3/8" diameter continuous hinge for maximum durability
- Rotating stainless steel handles are leak-proof to prevent moisture from entering
- 3-Point Locking system locks door at the top and sides to resist break-ins
- Rain Gutter doors seal around opening to prevent leakage or moisture
- Available Heavy-Duty 2" C-Channel Brackets for mounting



Cat. No.	Size	A	B	C	Approx. Shipping Wt.
407000	24" Long	24 in	18 in	18 in	40.0 lb
408000	36" Long	36 in	18 in	18 in	48.0 lb
409000	48" Long	48 in	18 in	18 in	61.0 lb

There's something new inside every Delta® Champion truck box...

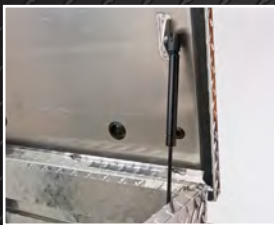


... the ultimate security of the Delta Gear-Lock™ Locking System.



Gear-Lock™ Lock System

The Gear-Lock™ Rotary Locking System is now standard on every Delta Champion cross-over, our most popular innerside, and chest. Self-adjusting to keep the lid tight for the long haul and tough enough to resist over 500 pounds of prying force, Gear-Lock™ is one more reason why Delta leads the way in truck storage solutions.



Self-Rising Lids

Self-Rising Lids have reliable, heavy-duty gas spring lifts. Lids rise automatically when unlatched, providing easy access to box contents.



Paddle Handles

Leak-Proof Stainless Steel Paddle Handles prevent moisture from entering box interior. Automotive-style lock cylinder is double-cut keyed for easier locking and unlocking.



Angled Edges

Chests feature angled edges on front and side walls for best fit, even when installed with a bed liner.



Rigid Structural Lids

3-Layer Laminated RSL™ Rigid Structural Lids have a reverse bevel inner lid liner and rigid foam insulation. It creates the most rigid, strongest lid we've tested.



Weather Stripping

Full-perimeter weather stripping creates a solid barrier against dust and moisture.

DELTA

CHAMPION™



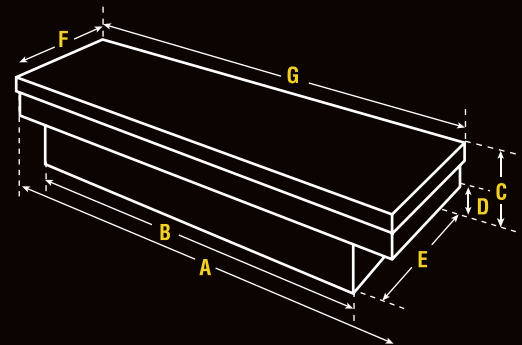
Delta CHAMPION Truck Boxes are the standard in rugged, weather-resistant truck boxes. These boxes feature Gear-Lock™ paddle handle latch system with RSL™ Lid Design which has an outer shell, an insulating middle layer and a unique reverse beveled edge lid liner. The combination of these three layers creates the strongest, most rigid aluminum lid in its class. To match the strength of the RSL Lid, Delta CHAMPION features a high-strength body with wider top rails. And, new heavy-duty, adjustable lid strikers hold the RSL Lid down tighter. All Delta CHAMPION products are covered by a One-Year Limited Warranty. *Contact Customer Service for information on Delta's Keyed Alike Product.

DELTA CHAMPION Gear-Lock™ Crossovers



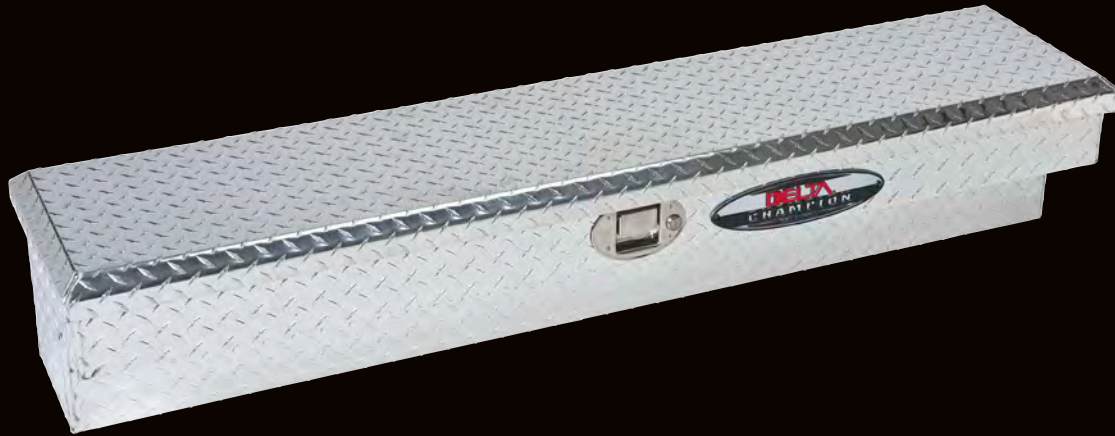
Delta Champion Gear-Lock™ Truck Boxes provide superior security and weather-resistance for tools and equipment. The combination of our RSL™ Rigid Structural Lid, Heavy-Duty adjustable Lid Strikers and High-Strength Body have created the quality standard for truck boxes in its class.

- RSL™ Laminated Rigid Structural Lid Bolster for Superior Strength
- Self Aligning Hoop Lid Strikers Lock the Lid Down Tight for Improved Security
- High-Strength Body Design Resists Cargo Damage and Protects the Locking Mechanism
- New Gear-Lock™ Stainless Steel Paddle Handles Ratchets Lid to Box for Superior Security
- Self Rising Lids with Dual Gas Spring Lid Lifts for Easy Access
- Small Parts Storage Tray for Organization
- Built in Storage Bins on Both Ends for Convenient Small Item Storage
- Wide Top Box Flanges Provide Extra Strength and Durability
- Lids Lock From Drivers Side and Be Can Opened From Both Sides of Vehicle



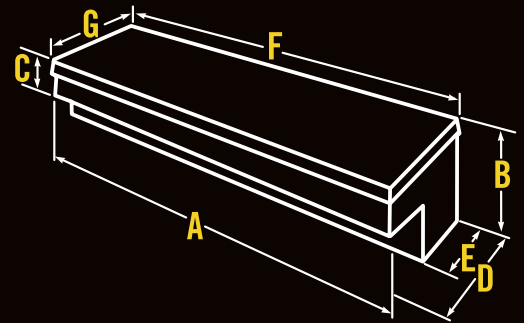
Bright	Black		A	B	C	D	E	F	G	Usable Cu. Ft.	Approx. Shipping Wt.
Cat. No.	Cat. No.	Size									
1-232000	1-232002	Full Size	69 in	59 in	14.25 in	9 in	20.25 in	21 in	70 in	9.2 ft ²	50.5 lb
1-235000	—	Compact	59 in	49 in	11.25 in	6 in	20.25 in	21 in	60 in	7 ft ²	44.5 lb
1-238000	1-238002	Full Size Mid-Lid	69 in	59 in	14.25 in	9 in	20.25 in	21 in	70 in	9.2 ft ²	52.5 lb
1-351000	1-351002	Full Size Low Profile	69 in	59 in	14.25 in	12.125 in	20.25 in	21 in	70 in	9 ft ²	56.0 lb

DELTA CHAMPION Gear-Lock™ Innersides



Delta Champion Gear-Lock™ Truck Boxes provide superior security and weather-resistance for tools and equipment. The combination of our RSL™ Rigid Structural Lid, Heavy-Duty adjustable Lid Strikers and High-Strength Body have created the quality standard for truck boxes in its class.

- RSL™ Laminated Rigid Structural Lid Bolster for Superior Strength
- Self Aligning Hoop Lid Strikers Lock the Lid Down Tight for Improved Security
- High-Strength Body Design Resists Cargo Damage and Protects the Locking Mechanism
- New Gear-Lock™ Stainless Steel Paddle Handles Ratchets Lid to Box for Superior Security
- Self Rising Lids with Gas Spring Lid Lifts for Easy Access
- Includes Mounting Kit and Supporting Legs with Hardware

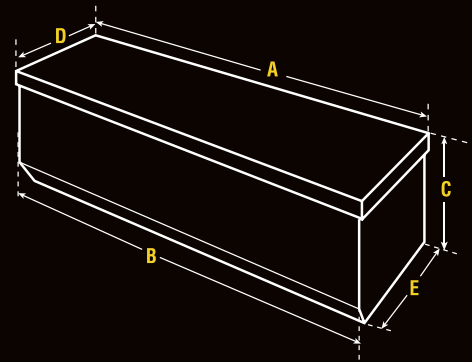


Bright	Black											
Cat. No.	Cat. No.	Size	A	B	C	D	E	F	G	Usable Cu. Ft.	Approx. Shipping Wt.	
1-377000	1-377002	58" Long	57.75 in	11 in	5.25 in	12.25 in	8 in	58.5 in	12 in	3.2 ft ³	28.0 lb	

Gear-Lock™ Chests


Delta Champion Gear-Lock™ Truck Boxes provide superior security and weather-resistance for tools and equipment. The combination of our RSL™ Rigid Structural Lid, Heavy-Duty adjustable Lid Strikers and High-Strength Body have created the quality standard for truck boxes in its class.

- New Gear-Lock™ Paddle Handle Lock Ratchets Lid to Box for Superior Security
- Self Aligning Hoop Strikers Pivot From Side-To-Side and Lock the Lid for Premium Security
- RSL™ Laminated Rigid Structural Lid Bolster for Superior Strength
- Self Rising Lids with Gas Spring Lid Lifts for Easy Access
- Full Weather Striping Helps Seal Out Moisture and Dust
- Wide Top Box Flanges Provide Extra Strength and Durability
- Angled Edges on front and side walls provide best fit, even when installed with a bed liner



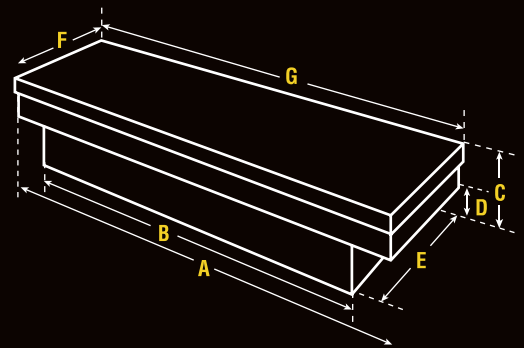
Bright	Black	Size	A	B	C	D	E	Usable Cu. Ft.	Approx. Shipping Wt.
Cat. No.	Cat. No.								
1-350000	1-350002	Full Size Long	61 in	61.25 in	19.25 in	20.5 in	20 in	12 ft ²	53.0 lb

DELTA CHAMPION Aluminum Chests for Trucks



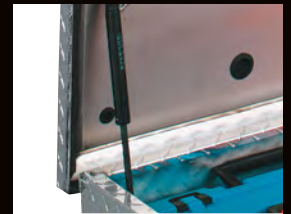
Our Chests for 2-Door Trucks sit on the bed floor without extending above the bed side walls, and can be used with tonneau covers. Tapered bottom sections on the ends and front wall allow the chest to fit in the best location. Our unique Chests for 4-door trucks provide extra-wide storage space. They sit on the bed floor between the wheel wells and the ends and the chest extends over the wheel wells, providing extra storage space for small items.

- Aluminum Chests for 4-Door Quad Cab and Short Wheel Base Trucks
- RSL™ Laminated Rigid Structural Lid Bolster for Superior Strength
- Adjustable Lid Strikers Keep the Lid Locked Down Tight for Improved Security
- Self Rising Lids with Gas Spring Lid Lifts for Easy Access
- Leak Proof Stainless Steel Paddle Handles Prevent Moisture From Entering
- Full Weather Striping Helps Seal Out Moisture and Dust
- Organized Storage Compartment on Both Ends for Quick Access to Small Tools and Parts



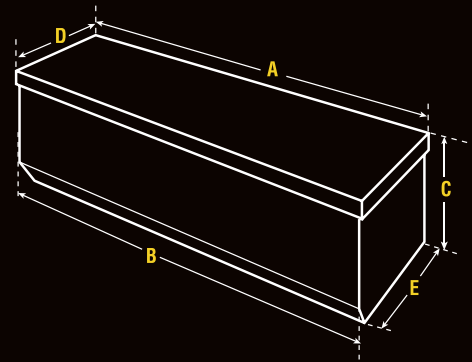
Bright Cat. No.	Black Cat. No.	Size	A	B	C	D	E	Usable Cu. Ft.	Approx. Shipping Wt.
368000	368002	Mid-Size	54 in	39 in	15.625 in	18.25 in	20.25 in	7 ft ²	42.5 lb
369000	369002	Full Size	61 in	46.5 in	19.125 in	18.25 in	20.25 in	10.3 ft ²	48.5 lb

Aluminum Portable Chests



Our Chests for 2-Door Trucks sit on the bed floor without extending above the bed side walls, and can be used with tonneau covers. Tapered bottom sections on the ends and front wall allow the chest to fit in the best location. Our unique Chests for 4-door trucks provide extra-wide storage space. They sit on the bed floor between the wheel wells and the ends and the chest extends over the wheel wells, providing extra storage space for small items.

- Portable Chests Are Ideal for Trucks, Trailers, or in a Workshop
- RSL™ Laminated Rigid Structural Lid Bolster for Superior Strength
- Adjustable Lid Strikers Keep the Lid Locked Down Tight for Improved Security
- Self Rising Lids with Gas Spring Lid Lifts for Easy Access
- Leak Proof Stainless Steel Paddle Handles Prevent Moisture From Entering
- Full Weather Striping Helps Seal Out Moisture and Dust



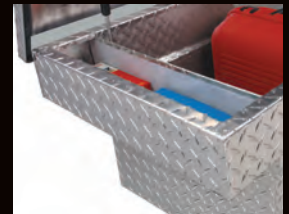
Bright Cat. No.	Black Cat. No.	Size	A	B	C	D	E	Usable Cu. Ft.	Approx. Shipping Wt.
356000	356002	Chest	37 in	36 in	14.5 in	18 in	20 in	5.4 ft ²	33.0 lb
429000	429002	Tailgate Chest	48.625 in	47.625 in	10 in	18 in	20 in	4.5 ft ²	34.0 lb

DELTA



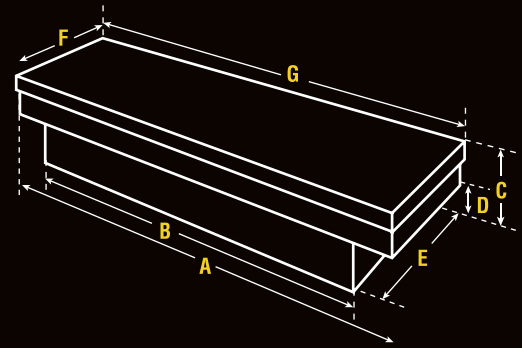
Delta Truck Boxes evolved nearly 45 years ago and quickly became the recognized leader in truck storage solutions. Today, Delta Truck Boxes continue to be known as the standard for quality and value. You can select from Aluminum, Steel and Structural Foam models that meet a wide range of storage requirements. All Delta Truck Boxes are covered by a One-Year Limited Warranty. *Contact Customer Service for information on Delta's Keyed Alike Product.

DELTA Aluminum Crossovers



Single Lid models provide easier access to longer cargo. Lid locks from driver's side and can be opened from either side. Mid-Lid Design offers a 40% larger opening than Gull Wing models. Lids lock, unlock and open from each side.

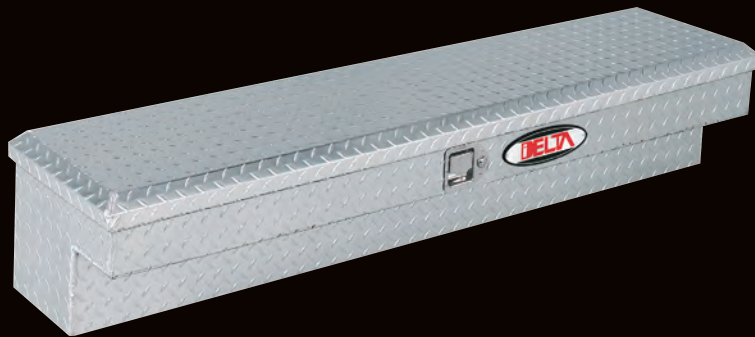
- Lid Reinforced with RSL™ Rigid Structural Lid Bolster for Superior Strength
- Adjustable Lid Strikers Keep the Lid Locked Down Tight for Improved Security
- High-Strength Body Design Resists Cargo Damage and Protects the Locking Mechanism
- Leak Proof Stainless Steel Paddle Handles Prevent Moisture From Entering
- Self Rising Lids with Dual Gas Spring Lid Lifts for Easy Access
- Small Parts Storage Tray for Organization
- Built in Storage Bins on Both Ends for Convenient Small Item Storage
- Lids Lock From Drivers Side and Be Can Opened From Both Sides of Vehicle



Bright	Black		A	B	C	D	E	F	G	Usable Cu. Ft.	Approx. Shipping Wt.
Low-Profile Single Lid Aluminum Crossovers											
1-302000	1-302002	Fullsize	69.125 in	59.125 in	11.75 in	11.75 in	17 in	20.25 in	70 in	8.8 ft ²	37.0 lb
1-309000	1-309002	Ford Super-Duty & Dodge RAM	72.125 in	62.125 in	11.75 in	11.75 in	17 in	20.25 in	73 in	9.3 ft ²	41.5 lb
1-310000	1-310002	Mid-Size	62.75 in	50.5 in	11.75 in	11.75 in	17 in	20.25 in	63.5 in	7 ft ²	36.0 lb
Single Lid Aluminum Crossovers											
1-300000	1-300002	Fullsize	69.125 in	59.125 in	9 in	9 in	17 in	20.25 in	70 in	9.3 ft ²	36.0 lb
1-301000	1-301002	Deep Fullsize	69.125 in	59.125 in	12 in	12 in	17 in	20.25 in	70 in	11 ft ²	45.5 lb
1-303000	1-303002	Ford Super-Duty & Dodge RAM	72.125 in	62.125 in	9 in	9 in	17 in	20.25 in	73 in	9.8 ft ²	39.5 lb

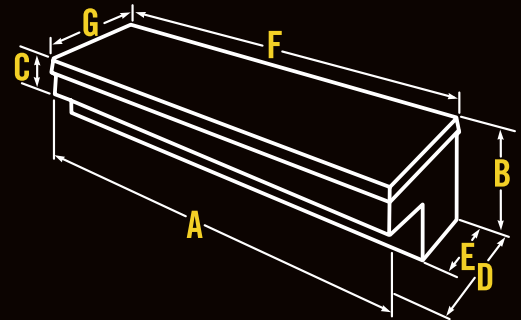
Bright Cat. No.	Black Cat. No.	Size	A	B	C	D	E	F	G	Usable Cu. Ft.	Approx. Shipping Wt.
1-308000	1-308002	Deep & Extra-Wide Fullsize	72.125 in	62.125 in	12 in	12 in	17 in	20.25 in	73 in	11.6 ft ²	43.5 lb
1-304000	1-304002	Mid-Size	62.75 in	50.5 in	9 in	9 in	17 in	20.25 in	63.5 in	7.9 ft ²	36.0 lb
Slimline Single Lid Aluminum Crossovers											
1-311000	1-311002	Fullsize	69.125 in	59.125 in	10.75 in	10.75 in	10.375 in	13.5 in	70 in	6.5 ft ²	33.5 lb
Mid-Lid Dual Lid Aluminum Crossovers											
1-306000	1-306002	Fullsize	69.125 in	59.125 in	9 in	9 in	17 in	20.25 in	70 in	9.3 ft ²	37.0 lb
1-307000	1-307002	Mid-Size	62.75 in	50.5 in	9 in	9 in	17 in	20.25 in	63.5 in	7.9 ft ²	36.0 lb

DELTA Aluminum Innersides



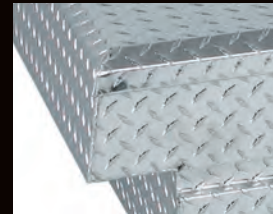
Mount Innerside Boxes on top of the bed side walls to help keep the bed free for storing bulky items. They are ideal for storing long tools and equipment. Use one or a pair for more storage capacity. Combine two Innersides with a Crossover to create a wrap-around storage system.

- Lid Reinforced with Bolster for Superior Strength
- Adjustable Lid Strikers Keep the Lid Locked Down Tight for Improved Security
- High-Strength Body Design Resists Cargo Damage and Protects the Locking Mechanism
- Leak Proof Stainless Steel Paddle Handles Prevent Moisture From Entering
- Self Rising Lids with Gas Spring Lid Lifts for Easy Access
- Includes Mounting Kit and Supporting Legs with Hardware



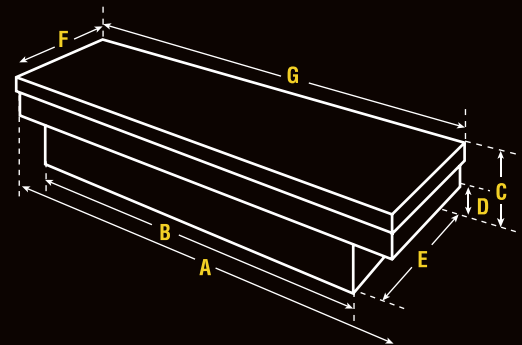
Bright Cat. No.	Black Cat. No.	Size	A	B	C	D	E	F	G	Usable Cu. Ft.	Approx. Shipping Wt.
1-312000	1-312002	49" Long Lid	47.75 in	11 in	5.375 in	12.25 in	8 in	48.625 in	13 in	2.7 ft ²	24.5 lb
1-313000	1-313002	59" Long Lid	57.75 in	11 in	5.375 in	12.25 in	8 in	58.625 in	13 in	3.2 ft ²	30.0 lb
1-314000	1-314002	72" Long Lid	71.75 in	11 in	5.375 in	12.25 in	8 in	72 in	13 in	3.8 ft ²	38.0 lb

DELTA VALUE Aluminum Crossovers



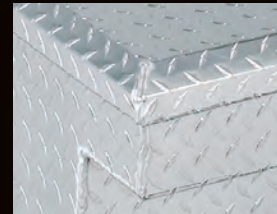
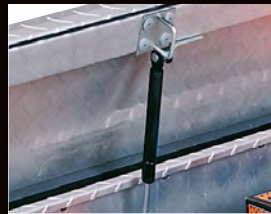
Single Lid models provide easier access to longer cargo. Mid-Lid Design offers a 40% larger opening than standard Gull Wing models. Single Lid locks from driver's side and can be opened from either side, Mid-Lid can be locked, unlocked, and opened from each side.

- Beveled Edge Lids Are Reinforced with a Large Pan-Style Bolster
- Self-Rising Lids Have a Reliable Gas Spring That Lifts for Easier Access
- Stainless Steel Paddle Handle for Long-Term Durability
- Full Weather Striping Helps Seal Out Moisture
- Lids Lock From Drivers Side and Be Can Opened From Both Sides of Vehicle



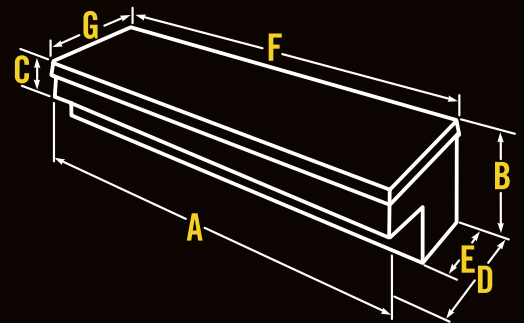
Bright											
Cat. No.	Size	A	B	C	D	E	F	G	Usable Cu. Ft.	Approx. Shipping Wt.	
Single Lid Aluminum Crossovers											
942000	Fullsize	69.375 in	61.5 in	13.625 in	7.25 in	20.125 in	21 in	70.125 in	9.2 ft ²	48.5 lb	
943000	Compact	59.375 in	51.5 in	12.5 in	6 in	20.125 in	21 in	60.125 in	7.2 ft ²	42.5 lb	
Slimline Single Lid Aluminum Crossovers											
296000	Fullsize	29.25 in	61.75 in	12.75 in	6.75 in	16 in	16.5 in	70.125 in	7.4 ft ²	35.5 lb	
297000	Compact	59.25 in	51.75 in	12.75 in	6.75 in	16 in	16.5 in	60.125 in	5.7 ft ²	31 lb	
Mid-Lid Dual Lid Aluminum Crossovers											
940000	Fullsize	69.5 in	61.625 in	13.625 in	7.125 in	20.25 in	21 in	70.25 in	9.2 ft ²	45.0 lb	
941000	Compact	59.5 in	51.625 in	12.5 in	6 in	20.25 in	21 in	60.25 in	7.2 ft ²	40.0 lb	

DELTA VALUE Aluminum Innersides



Innersides are ideal for storing longer tools and equipment. They mount on top of the bed side walls and keep the bed space free for storing bulky items.

- Beveled Edge Lids Are Reinforced with a Large Pan-Style Bolster
- Self-Rising Lids Have a Reliable Gas Spring That Lifts for Easier Access
- Stainless Steel Paddle Handle for Long-Term Durability
- Full Weather Striping Helps Seal Out Moisture
- Includes Mounting Kit and Supporting Legs with Hardware



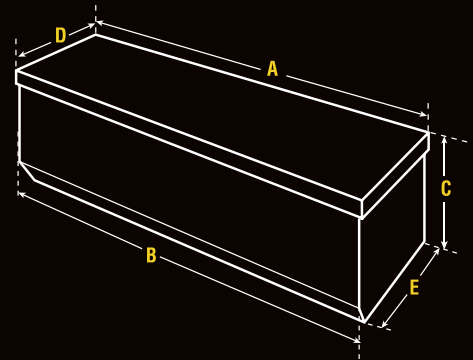
Bright Cat. No.	Size	A	B	C	D	E	F	G	Usable Cu. Ft.	Approx. Shipping Wt.
864260	48 1/2" Long Lid	47.625 in	11.125 in	5.875 in	11.375 in	8.25 in	48.5 in	11 in	2.6 ft ²	30.0 lb
865260	64 1/2" Long Lid	63.625 in	11.125 in	5.875 in	11.375 in	8.25 in	64.5 in	11 in	3.5 ft ²	37.0 lb

DELTA Aluminum Portable Chests



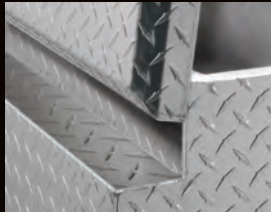
Delta aluminum Portable Utility Chests offer you a combination of important features for improved performance. All models have a Recessed hinge allowing the lid to fully open when the chest is against the bed wall. The reinforced lid and adjustable strikers provide superior security. Full Weather Stripping and Leak-Proof Paddle handles Design protect the contents from moisture.

- Removable and Portable Aluminum Chests Offer Versatility Wherever Secure Storage Is Needed
- Wide Lifting Handles Are Easy to Grip and Will Support Heavy Loads
- Rugged Aluminum Strikers Will Adjust Vertically and Horizontally to Keep the Lid Locked Down Tight
- Leak Proof Stainless Steel Paddle Handle Prevents Back Spray From Entering
- Full Weather Striping Helps Seal Out Moisture and Dust
- Gas Spring Lid Lifts Automatically Raise Lid and Allows for Easier Access



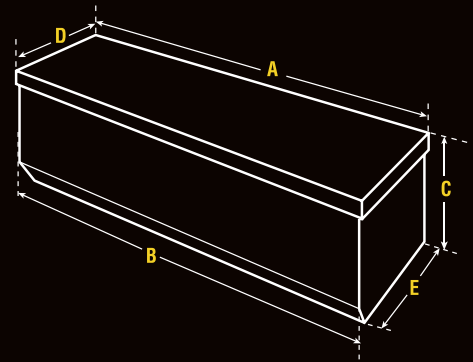
Bright Cat. No.	Size	A	B	C	D	E	Usable Cu. Ft.	Approx. Shipping Wt.
220000D	37" Long	37 in	36 in	14.5 in	18 in	20 in	5.4 ft ²	33.0 lb
221000D	49" Long	49 in	48 in	18 in	18 in	20 in	9.9 ft ²	43.0 lb
222000D	57" Long	57 in	56 in	18 in	18 in	20 in	11.6 ft ²	50.0 lb

DELTA VALUE Aluminum Chests For Trucks



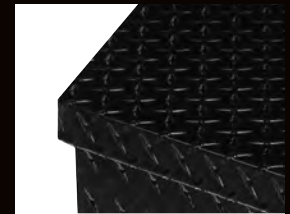
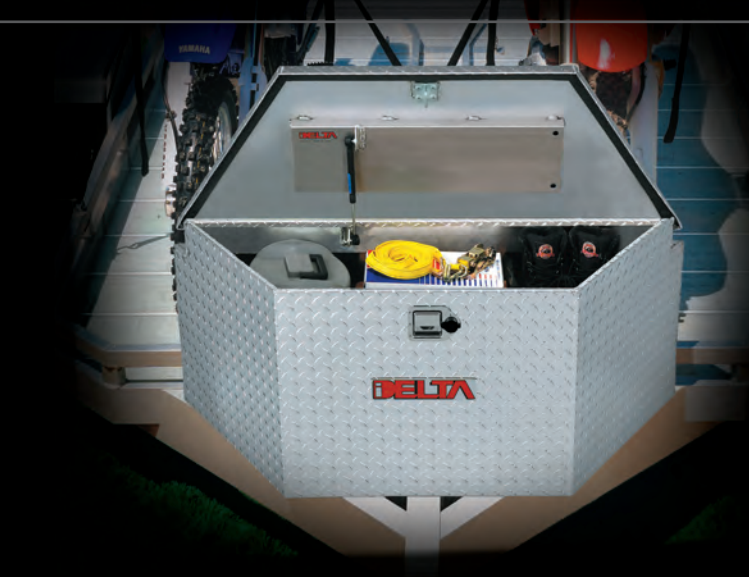
Delta aluminum Chests provide great features at an exceptional value. All models have a Recessed hinge, heavily-Reinforced Lids and Full weather stripping.

- Recessed Hinge Allows the Lid to Fully Open When the Back of the Chest Is Placed Against Another Object
- Rugged Aluminum Construction with Reinforced Lid for Maximum Strength and Security
- Gas Spring Lid Lifts Allows Easier Access
- Leak Proof Stainless Steel Paddle Handle Prevents Back Spray From Entering
- Full Weather Striping Helps Seal Out Moisture and Dust
- Tapered Lower Front Wall Will Fit Better in Trucks with All Types of Bed Liners



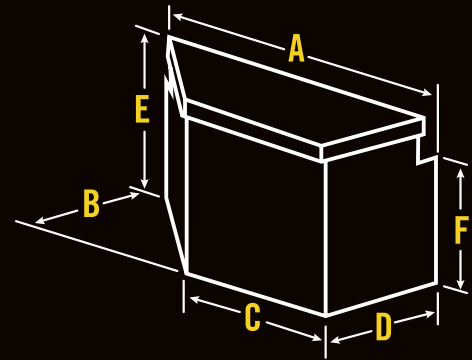
Bright Cat. No.	Black Cat. No.	A	B	C	D	E	Usable Cu. Ft.	Approx. Shipping Wt.
808000	—	36.75 in	36 in	15.5 in	17.25 in	17 in	5.1 ft ²	25.5 lb
896260	896262	59.5 in	58.5 in	17.875 in	18.75 in	17.75 in	9.8 ft ²	47.5 lb
899260	—	46.5 in	46 in	16.5 in	18.75 in	17.75 in	7 ft ²	44.0 lb

DELTA Aluminum Trailer Tongue Boxes



Delta aluminum Trailer Tongue Boxes provide superior security and weather-tight storage for tools and accessories. Deep recessed hinge allows the box to fully open when it is mounted against a rail or trailer wall. 33" Long model available with Diamond Black finish.

- Trailer Tongue Box Mounts Easily Against Rail or Trailer Wall
- Rugged Aluminum Construction with Reinforced Lid for Maximum Strength and Security
- Off-Set Gas Spring Lid Lift Allows Easier Access From Drivers Side
- Leak Proof Stainless Steel Paddle Handle Prevents Back Spray From Entering
- Full Weather Stripping Helps Seal Out Moisture and Dust
- Tough Armor-Brite® Powder Paint Finish Has Superior Rust Resistance



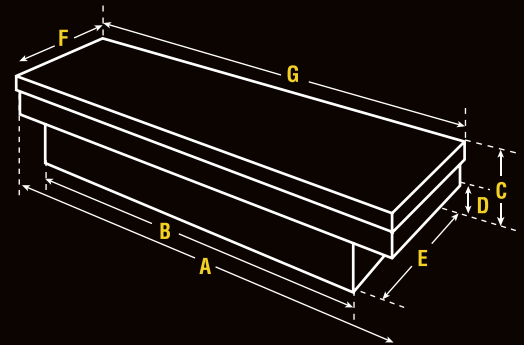
Bright Cat. No.	Black Cat. No.	A	B	C	D	E	Usable Cu. Ft.	Approx. Shipping Wt.
405000D	405002	33 in	16 in	20 in	17.5 in	20.5 in	4.5 ft ²	24.5 lb
410000D	—	48 in	18 in	25 in	21.5 in	20.5 in	7.1 ft ²	33.5 lb

DELTA Steel Crossovers



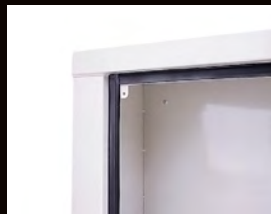
All Delta Steel Crossovers include a 3-Compartment Sliding Tray for convenient storage of hand tools and small parts. Full Weather Stripping helps seal out moisture and dust. Tough armor-Brite® powder paint finish has superior rust resistance.

- Wide Full Length Bolsters Add Strength and Rigidity to Lid
- 3 Compartment Tray for Small Parts Storage
- Tough Armor-Brite® Powder Paint Finish Has Superior Rust Resistance
- Gull Wing Dual Lid Crossovers have Fully Welded Center Top Section
- Gull Wing Dual Lid Crossovers have Torsion Bar Lid Lifts to for Easier Access
- Single Lid Crossovers have Center-Mounted Heavy-Duty Gas Spring Lid Lift
- Single Lid Crossovers have Fully Welded Seams and Formed Channels in the bottom for Strength and Rigidity



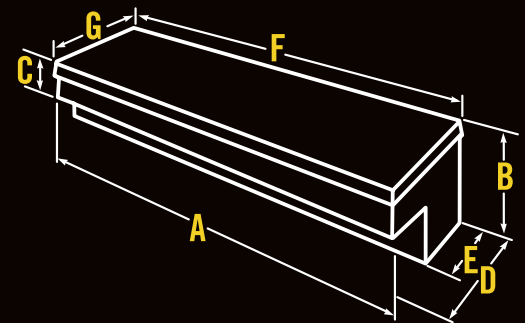
White Cat. No.	A	B	C	D	E	F	G	Usable Cu. Ft.	Approx. Shipping Wt.
Steel Gull Wing Dual Lid Crossovers									
901000	70 in	60 in	14.375 in	9 in	20 in	20.625 in	70.625 in	9 ft ²	81.0 lb
902000	60 in	50 in	11.375 in	6 in	20 in	20.625 in	60.625 in	5.8 ft ²	66.0 lb
Steel Single Lid Crossovers									
904000D	70 in	60 in	14.375 in	9 in	20 in	20.625 in	70.625 in	9 ft ²	86.5 lb
905000	60 in	50 in	11.375 in	6 in	20 in	20.625 in	60.625 in	5.8 ft ²	72.5 lb
906000	62 in	52 in	14.375 in	9 in	20 in	20.625 in	62.625 in	7.8 ft ²	79.0 lb
922000	70 in	60 in	17.375 in	12 in	20 in	20.625 in	70.625 in	11.1 ft ²	96.5 lb

DELTA Steel Innersides



Use Delta Steel Innersides with a Delta Steel Crossover to create a wrap-around storage system. The Innersides are ideal for storing longer tools and equipment. They mount on top of the side walls keeping the bed free for storing bulky cargo. Mounting Kit with support legs and hardware is included.

- Built-In Storage Compartments on Front for Storing Hand Tools and Small Parts
- Fully Welded Seams and Edges Add Extra Strength and Rigidity
- Ideal for Storing Longer Tools and Equipment
- Full Weather Striping Helps Seal Out Moisture
- Tough Armor-Brite® Powder Paint Finish Has Superior Rust Resistance
- Push Button Lock and Cylinder Lock for Security
- Optional Sliding Tray for Additional Small Part Storage



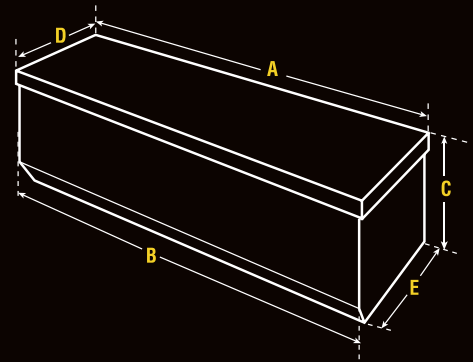
White Cat. No.	A	B	C	D	E	F	G	Usable Cu. Ft.	Approx. Shipping Wt.
820000	48 in	11.25 in	5.5 in	11.25 in	8.25 in	48.5 in	11.75 in	2.7 ft ³	46.0 lb
821000	64 in	11.25 in	5.5 in	11.25 in	8.25 in	64.5 in	11.75 in	3.5 ft ³	58.0 lb

DELTA Steel Chests for Trucks



Delta Steel Chests are made of 16-gauge steel and have reinforced lids for improved strength and security. Tough Armor-Brite® Bright White Powder Paint finish has superior rust resistance.

- Self-Rising, Reinforced Lid Has Dual Gas Spring Lid Lift for Easier Access
- Tapered Lower Front Wall Will Fit Better in Trucks with All Types of Bed Liners
- 3-Compartment Sliding Tray Provides Convenient Storage for Hand Tools and Small Parts
- Bottom Bolsters Raise the Chest Above Standing Water
- Full Weather Striping Helps Seal Out Moisture and Dust
- Tough Armor-Brite® Powder Paint Finish Has Superior Rust Resistance



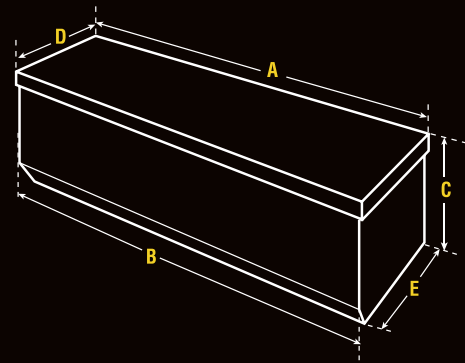
Cat. No.	A	B	C	D	E	Usable Cu. Ft.	Approx. Shipping Wt.
807000	59.125 in	58.125 in	19 in	20.625 in	17.75 in	10.2 ft ³	129.0 lb
819000	46.625 in	46 in	16.75 in	20.625 in	17.75 in	7.1 ft ³	-

DELTA Steel Portable Utility Chests



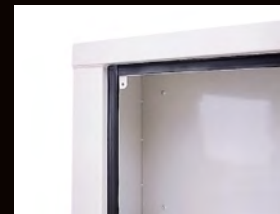
Delta Lock-Down Hopper Chest includes two reusable mounting brackets. An internal mechanism locks the chest on the brackets. Turn the locking mechanism to release the chest from the mounting brackets to move or relocate it. Model 814000 and 815000 Delta Steel Portable Utility Chests will also fit in most truck beds. They have reinforced lids and cam-style locks for improved security and locking arms to hold the lid open for easier access.

- 18-Gauge Steel Construction with Fully Welded Seams and Formed Edges
- Lock Down Chest and Remove Easily with Quick Connect Brackets
- Sliding Tray Provides Convenient Storage for Hand Tools and Small Parts
- Full Weather Striping Helps Seal Out Moisture and Dust
- Tough Armor-Brite® Powder Paint Finish Has Superior Rust Resistance



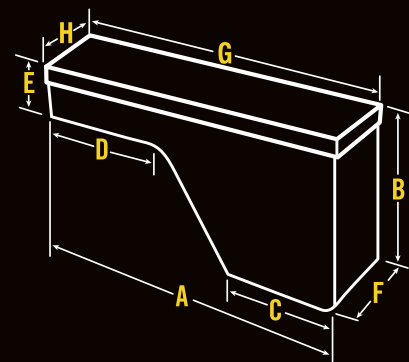
Cat. No.	A	B	C	D	E	Usable Cu. Ft.	Approx. Shipping Wt.
810000	32.625 in	32 in	12.75 in	11.25 in	10.75 in	2.2 ft ³	31.5 lb
814000	32.625 in	32.125 in	13 in	14.75 in	14.325 in	3.4 ft ³	37.0 lb
815000	48.5 in	48.125 in	18.75 in	21.75 in	21.125 in	10.5 ft ³	80.0 lb

DELTA Steel Wheel Well Boxes



Delta Steel Wheel Well Boxes mount in the unused space around the rear wheel wells. They provide easy-to-reach, lockable storage space. The reversible lid is easy to change for using a Wheel Well Box on either side of the bed. Key-operated cam-style lock locks the lid tight.

- Rugged Steel Construction with fully welded seams and formed edges
- Removable Tray for storing small tools or parts
- Full Weather Stripping helps seal out moisture and dust
- Tough Armor-Brite® White Powder Paint finish has superior rust resistance
- Bottom of Box is notched to fit over wheel well



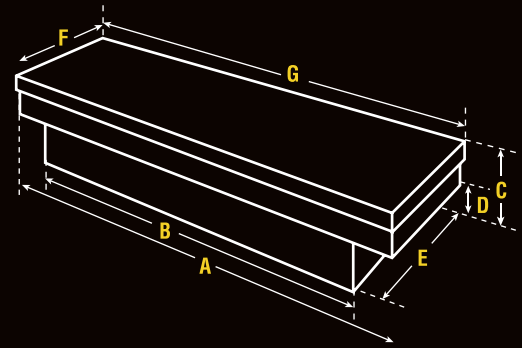
White	A	B	C	D	E	F	G	H	Usable Cu. Ft.	Approx. Shipping Wt.
850000D	48 in	21.75 in	16.625 in	21.75 in	10 in	8 in	48-1/2 in	8-3/8 in	3.1 ft ²	44.0 lb
851000D	60 in	21.75 in	28.625 in	21.75 in	10 in	8 in	60-1/2 in	8-3/8 in	3.5 ft ²	54.5 lb

DELTA Structural Foam Crossovers



Delta Structural Foam Crossovers have a contoured and sculpted design that looks great on any truck. The tough, durable material has reinforcing ribs and will not sag in the coldest or hottest environments.

- Lids are heavily reinforced and overlap the high-strength body for superior security and prevent moisture from entering
- Self-Rising Lids utilize torsion bar lid lifts for more convenient access
- High-Strength Nylon Latches hold the lids down tight to resist forced entry and to seal out moisture and dust
- Automotive-Style Lock Cylinder with double-cut key for more convenient access
- Interior Reinforcing Ribs can be used to hold dividers which prevent the cargo from shifting
- Convenient End Storage bin for small items



Cat. No.	Size	A	B	C	D	E	F	Usable Cu. Ft.	Approx. Shipping Wt.
203000D	Fullsize	70 in	58 in	15.125 in	9 in	15.375 in	20.625 in	8 ft ²	57.5 lb
204000D	Compact	60 in	48 in	15.125 in	9 in	15.375 in	20.625 in	6 ft ²	50.5 lb

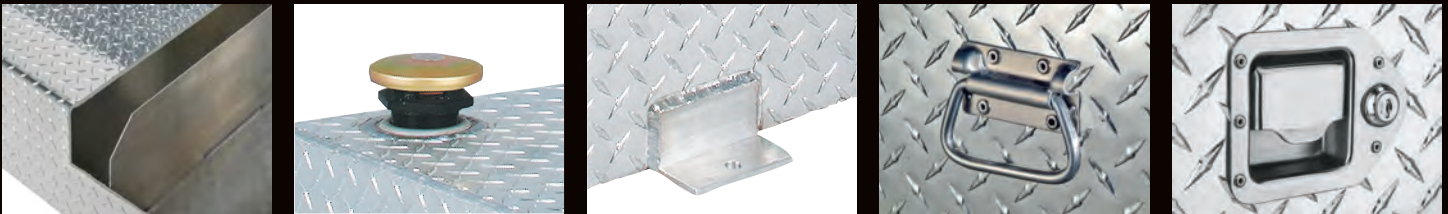
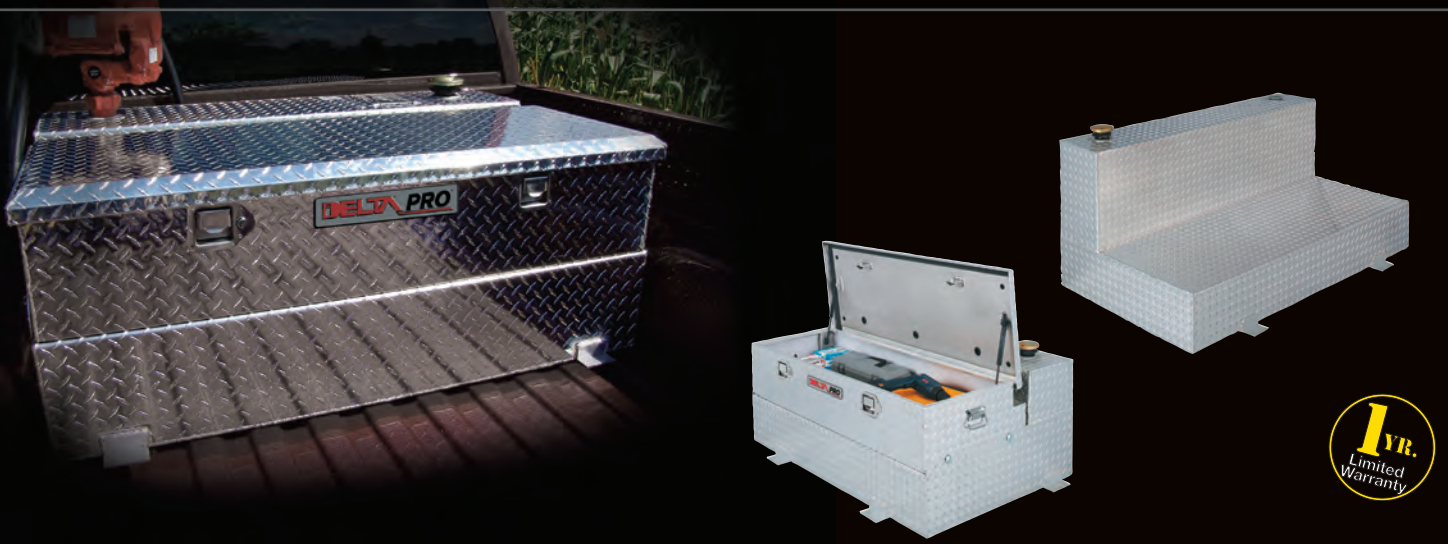
DELTA



Delta Liquid Transfer Tanks provide temporary storage and transportation of non-flammable fuels or other liquids. These are ideal for job sites or agricultural use. made to withstand heavy use, Delta Tanks are made of 0.125" aluminum or 14-gauge steel. They are equipped with baffles for additional strength and to control the flow of the contents during transportation. all tanks are pressure tested for leaks.

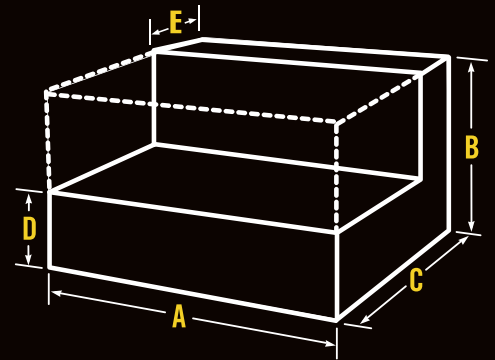
Caution: These tanks Cannot be connected to an existing fuel system under any circumstances. Tanks meet Specific Requirements Pertaining to Can/CSa B-621-98 Regulations. They are not designed for flammable liquids such as gasoline. Usage of tanks is regulated by State and sometimes local ordinances. Contact your local Fire Department for details. Contact your local Fire Chief or Fire marshal to determine your local restrictions.

DELTA PRO Aluminum Liquid Transfer Tanks



Delta Aluminum Transfer Tanks are designed for the toughest conditions. All tanks are made of heavy-duty 0.125" Treadplate Aluminum for long-term durability. They have internal baffles to provide reinforcement and control the flow of the contents when moving. All tanks are pressure tested for leaks. The Fuel-n-Tool model 433000 offers the convenience of a 72-gallon capacity transfer tank and 4.5 cubic feet of secure storage space in one unit.

- 2" NPT Reinforced Bungs Allow Mounting a Pump on Either Side of the Tank
- Center Baffles Add Extra Strength and Control the Flow of the Contents When Moving
- Lockable Filler Cap and Coupler prevent excessive pressure build-up
- Heavy-Duty Brackets for Securing the Tank to the Bed
- Fuel-N-Tool Combo offers the convenience of an L-Shaped Transfer Tank and a Removable Portable Chest
- Fuel-N-Tool Chest provides 4.5 cubic feet of high-strength storage for tools and accessories
- Fuel-N-Tool Chest has RSL Rigid Structural Lid, Heavy-Duty Adjustable Lid Strikers, and High-Strength Body resist break-ins
- Fuel-N-Tool Chest Self-Rising Lid has two heavy-duty gas spring lid lifts
- Fuel-N-Tool Chest has Leak-Proof Stainless Steel Paddle Handles and Wide Live Cell Weather Stripping prevent moisture and dust from getting inside



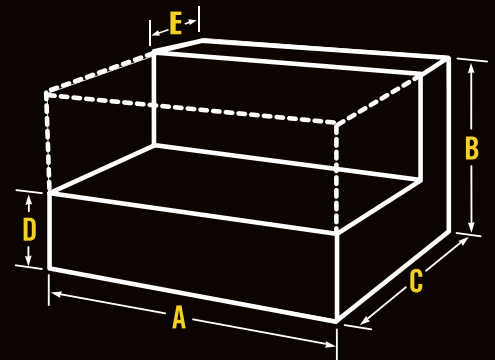
Bright Cat. No.	Shape	Safe Fill	Max Fill	A	B	C	D	Approx. Shipping Wt.
Fuel-N-Tool Combo Aluminum Transfer Tank								
433000	L-Shaped Tank	72 gal (US)	77 gal (US)	48.25 in	19 in	31 in	9 in	129.0 lb
Aluminum Liquid Transfer Tanks								
437000	L-Shaped	99 gal (US)	104 gal (US)	57.5 in	25 in	31 in	9 in	112.0 lb
438000	Rectangular	91 gal (US)	102 gal (US)	45.25 in	23.25 in	23.25 in	-	94.0 lb
439000	Square	4 gal (US)	52 gal (US)	23.25 in	23.25 in	23.25 in	-	64.0 lb

DELTA Steel Fuel-N-Tool™ Transfer Tanks and Chests



Delta Steel Fuel-N-Tool system offers the convenience of combining liquid transfer tanks with tool chests for secure storage space in one unit. Choose 60" chest with 6.7 cubic feet of storage space and 98 gallon tank, or 48" chest with 7.3 cubic feet of storage space and 37 gallon tank. Both Fuel-N-Tool combination options fit all full-size short wheelbase trucks. Steel transfer tanks feature 14-gauge construction for long-term durability. Internal baffles reinforce the high-strength design and control the flow of the contents when moving. Chests have paddle handles for convenient opening of lid.

- Built-In Lifting Rings to Assist with Lifting and Moving An Empty Tank
- Lockable Filler Cap and Coupler Prevent Excessive Pressure Build Up
- Heavy Duty Brackets to Secure the Tank to the Truck Bed
- Safety Fill Capacity Allows Space for the Contents to Expand in Warm Weather
- Tanks have 2" NPT Reinforced Bungs for convenient use from either side
- Tanks have built-in lifting rings to assist with lifting and moving an empty tank
- Tanks have lockable filler cap and coupler to prevent excessive pressure build-up
- Heavy-Duty Brackets secure the tank to the truck bed



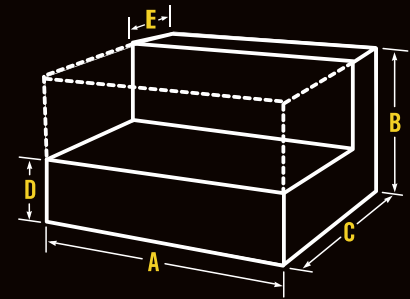
White													
Cat. No.	Used On	Safe Fill	Max Fill	A	B	C	D	E	F	G	Usable Cu. Ft.	Approx. Shipping Wt.	
Steel Transfer Tanks For 4-Door Trucks													
498000	-	98 gal (US)	106 gal (US)	60.25 in	25 in	33 in	7.5 in	13 in	-	-	-	175.0 lb	
Steel Transfer Tanks													
486000	-	37 gal (US)	42 gal (US)	59.63 in	19 in	9 in	-	-	-	-	-	97.0 lb	
Steel Chests													
430000	486000	-	-	48.88 in	22.25 in	10.75 in	16-1/8 in	10-3/4 in	-	-	7.3 ft ²	70.0 lb	
499000	498000	-	-	60.25 in	17.63 in	19.63 in	13-7/8 in	19-5/8 in	17-5/8 in	60-5/8 in	6.7 ft ²	85.0 lb	

DELTA Steel Transfer Tanks



Delta Tanks feature 14-gauge construction for long-term durability. Internal baffles reinforce the high-strength design and control the flow of the contents when moving. Delta Model 498000 and 498002 Transfer Tanks are made for short bed trucks – including trucks with 4-door cabs. The unique design has extended sides above both wheel wells to increase the capacity. All tanks are pressure tested for leaks.

- Tanks have internal baffles for extra strength and to control the flow of contents when moving
- Tanks have 2" NPT Reinforced Bungs for convenient use from either side
- Built-In Lifting Rings to Assist with Lifting and Moving An Empty Tank
- Lockable Filler Cap and Coupler Prevent Excessive Pressure Build Up
- Heavy Duty Brackets to Secure the Tank to the Truck Bed
- Safety Fill Capacity Allows Space for the Contents to Expand in Warm Weather



White Cat. No.	Black Cat. No.	Safe Fill	Max Fill	A	B	C	D	E	Approx. Shipping Wt.
Steel Transfer Tanks									
482000	—	51 gal (US)	54 gal (US)	29.63 in	25 in	31 in	9 in	10 in	106.0 lb
486000	—	37 gal (US)	42 gal (US)	59.63 in	19 in	9 in	-	-	97.0 lb
488000	488002	76 gal (US)	82 gal (US)	48 in	25 in	31 in	6.5 in	11 in	155.0 lb
481000	—	56 gal (US)	59 gal (US)	37 in	21 in	31 in	9 in	9 in	124.5 lb
485000	—	50 gal (US)	55 gal (US)	23.25 in	24 in	23.25 in	-	-	85.5 lb
480000	—	103 gal (US)	109 gal (US)	59.63 in	25 in	31 in	9 in	11 in	200.0 lb
484000	—	96 gal (US)	107 gal (US)	45.63 in	24 in	23.25 in	-	-	106.0 lb
487000	—	86 gal (US)	92 gal (US)	54 in	25 in	31 in	6.5 in	11 in	186.0 lb
Steel Transfer Tanks For 4-Door Trucks									
498000	498002	98 gal (US)	106 gal (US)	60.25 in	25 in	33 in	7.5 in	13 in	175.0 lb

JOBSITE

by DELTA



In many of today's jobsites the demand for secure and rugged storage for tools and supplies is at an all-time high. JOBSITE by Delta was developed to meet this demand with versatile product solutions for tool storage and organization. Premium security features developed for JOBSITE products assist in the prevention of theft and robust designs protect tools from the harsh environments where they are commonly stored. JOBSITE by Delta uses cutting edge technology, in-depth research, extensive testing and our innovative designs to improve the security, strength and durability of our on-site storage boxes, at a great Value to the user.

JOBSITE Heavy-Duty Chests



Steel Body and Lid provide superior security for tools and equipment. Bolt Cutter Proof Locking System protects the padlocks* inside 12-gauge steel housings. Only the bottoms of the padlocks are exposed. They can not be cut, pulled or pried out. * Padlocks not included.

- Heavy Duty Hinge Is Staked and Welded to Prevent the Pin From Being Driven Out to Break In
- Lifting Handles Are Protected Inside Tall, Deep Recesses to Prevent Pinched Knuckles and Damage
- Heavy Duty Locking Arm Secures the Lid in the Open Position
- Tall Bottom Bolsters for Easily Moving a Loaded Chest with a Forklift
- Rain-Drain Feature in Padlock Housing Prevents Water From Collecting in Box



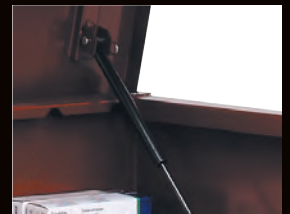
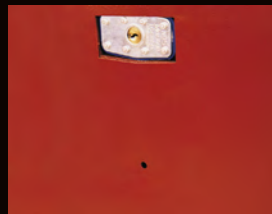
Cat. No.	Description	Length	Width	Height	Usable Cu. Ft.	Shipping Cu. Ft.	Approx. Shipping Wt.
635990	36" Long Chest	36 in	19.5 in	22 in	6.8 ft ²	9.6 ft ²	85.0 lb
637990	48" Long Chest	48 in	24 in	27.5 in	15.4 ft ²	19.3 ft ²	133.0 lb
636990	42" Long Chest	42 in	20 in	23.5 in	9.3 ft ²	12.2 ft ²	101.0 lb
638990	60" Long Chest	60 in	24 in	27.5 in	19.2 ft ²	24.1 ft ²	155.0 lb
649990D	60" Long Slope Lid Chest	60 in	30 in	39.5 in	32.7 ft ²	45.5 ft ²	243.0 lb

JOBSITE Heavy-Duty Piano Box



Steel Body and Lid provide superior security for tools and equipment. Bolt Cutter Proof Locking System protects the padlocks* inside 12-gauge steel housings. Only the bottoms of the padlocks are exposed. They can not be cut, pulled or pried out. * Padlocks not included.

- Two Gas Springs Assist with Opening and Closing the Door
- Lifting Handles Are Protected Inside Tall, Deep Recesses to Prevent Pinched Knuckles and Damage
- Tall Bottom Bolsters for Easily Moving a Loaded Piano Box with a Forklift
- Rain-Drain Feature in Padlock Housing Prevent Water From Collecting in Box



Cat. No.	Description	Length	Width	Height	Usable Cu. Ft.	Shipping Cu. Ft.	Approx. Shipping Wt.
640990	60" Long Piano Box	60 in	30.5 in	49.88 in	48 ft ²	55 ft ²	308.0 lb

JOBSITE Optional Casters

- Set of 4 Casters comes with 2 fixed and 2 swinging casters
- 3" x 3" Hole Patterns

Cat. No.	Size	Approx. Shipping Wt.
1-320990	4 in	15.0 lb
1-321990	6 in	19.0 lb
1-324990	8 in	31.0 lb



JOBSITE Removable Trays

- Built-In Handles for Storing Small Parts or Tools
- Hemmed Edges add Strength and Eliminate Sharp Edges

Cat. No.	Used On
620990	JOBSITE: 635990
626990	JOBSITE: 637990, 638990
628990	JOBSITE: 636990



JOBSITE Divider Kits

Cat. No.	UPC No.	Product Weight
602990	043419942103	10.00 lb
603990	043419942110	15.00 lb



KARGO MASTER®



KargoMaster offers commercial-duty truck and van racks that are easy-to-install and adjust to your custom needs. All the racks have a yellow zinc dichromate undercoat and tough marine-grade powder coat epoxy finish for superior corrosion resistance and long-term durability. With a full breadth of truck and van racks and accessories, KargoMaster delivers superior fit, durability, and maximum convenience. Plus they have Lifetime Frame Warranty.

KARGOMASTER PRO III Steel Adjustable Ladder Racks



The unique design of the 1,000 lb capacity Steel KargoMaster PRO III Ladder Racks allows the legs to be easily positioned to fit trucks with short or long beds and with standard, extended, or 4-door crew cabs. No cutting is required. The height of these racks can be easily raised to fit trucks with taller cabs.

- Rugged 14" Long mounting Plates distribute the load over a large area.
- Removable Rear Cross Bar for improved access to the bed.
- Rear Grab handles improve safety when loading or unloading the rack or getting to cargo.
- Optional no Drill Clamp-On mounting Plates eliminate drilling holes in the bed wall.
- 4th Cross Bar is available for the extra support of long cargo on Fullsize model L80000.
- Yellow Zinc Dichromate Undercoat and Marine-Grade Powder Coat Epoxy finish provide superior corrosion resistance.

Cat. No.	Size	Approx. Shipping Wt.
L80000	155" Long Ladder Rack Fits ALL Fullsize Trucks	150.0 lb
L80020	142" Long Ladder Rack Fits ALL Mid-Size and Compact Trucks	140.0 lb

KARGOMASTER PRO IV Aluminum Adjustable Ladder Racks



Swaged joints and fully gusseted crossbars for superior load capacity and the abrasion and corrosion resistant polyester marine-grade ClearCoat powder paint finish make the PRO IV Aluminum Ladder Rack a perfect choice. Triple-plated fasteners with chrome plating over double nickel plating.

- Rugged 14" Long mounting Plates distribute the load over a large area.
- Removable Rear Cross Bar for improved access to the bed.
- Rear Grab handles improve safety when loading or unloading the rack or getting to cargo.
- Optional no Drill Clamp-On mounting Plates eliminate drilling holes in the bed wall.
- 4th Cross Bar is available for the extra support of long cargo on Fullsize mode and L90000.

Cat. No.	Size	Approx. Shipping Wt.
L90000	Aluminum Fully-Adjustable Ladder Rack Fits ALL Fullsize Trucks	95.0 lb

KARGOMASTER Quick Pac Removable Ladder Racks



Quick Pac Racks are easy to insert in the mounting bases when needed and simply lift out of the bases until needed again. They can also be left in the bases permanently. The side-mounted racks support 250 pounds and are ideal for occasional use or when a full-length or heavier-duty rack is not required. Width of the racks adjusts from 18" to 32" to support different types and sizes of cargo.

- Pair of Easy to Install Removable Racks for Carrying a Ladder, Canoe, Light Load of Conduit, Lumber or Other Long Material
- Support Arms Adjust From 18" to 32" in Width
- Yellow Zinc Dichromate Undercoat and Marine-Grade Powder Coat Epoxy finish provide superior corrosion resistance
- High-Strength Mounting Bases fit in any truck and can be used on either side
- 1-1/4" Square Steel Uprights have fully welded joints for extra strength and durability

Cat. No.	Size	Approx. Shipping Wt.
L30090	Removable Side Ladder Racks	60.0 lb

KARGOMASTER Free-Standing Econo Racks



A pair of these high-strength racks will support up to 500 pounds of cargo. Long mounting plates provide stability without horizontal connecting bars between the two racks. The free-standing racks provide a wide area for easy access to load and unload bulky cargo from the sides. A crossover truck box can be mounted flush against the front rack creating more free space in the bed.

- High-Strength 2" Diameter Steel Racks support up to 500 pounds.
- Cross Bar height can be set at 23-1/2" or 26-1/4" above the bed for trucks with taller cabs.
- Rack width adjusts from 53" to 68" to fit compact and fullsize trucks.
- 14" Long heavy-Duty Bolt-On mounting Plates provide stability.
- Yellow Zinc Dichromate Undercoat and marine-Grade Powder Coat Epoxy finish provide superior corrosion resistance.

Cat. No.	Description	Width	Height	Approx. Shipping Wt.
L30050	Front-Mounted Econo Rack	53 in - 68 in	23-1/2 in - 26-1/4 in	35.0 lb

KARGOMASTER PRO II™ Heavy Duty Material Rack



This heavy-duty material rack supports up to 1,700 lb. cargo loads. The rack stretches the full length of the van and uses wide mount feet to securely clamp to the rain gutter. It includes 4 heavy-Duty 2" diameter crossbars to fully support both long and short loads.

- Full Length of Van (165" L x 55" W)
- 4 heavy-Duty 2" Diameter Crossbars to full support long and short loads
- Rear roller bar makes it easier to load heavy, bulky items (e.g. carpet) and protects top of the van
- Level cross bars support sheet goods, elevated standing platform, lumber, ladders, pipes, etc.
- Wide mount feet clamp securely to rain gutter. Feet are coated at bottom to protect rain gutter paint
- Each model fits full-sized Ford, Gm, and older pre-Sprinter Dodge.
- No drilling or cutting required.
- Zinc epoxy primed for superior rust resistance. Chip resistant black or white powder coat.

Cat. No.	Description	Approx. Shipping Wt.
40870D	Feet and Bars Kit	85.0 lb
40880D	Side Channel Kit	70.0 lb

KARGOMASTER 2-Bar & 3-Bar Fullsize Van Racks



High-strength 1-5/8" diameter telescoping steel racks adjust to fit different width fullsize vans with rain gutters. Heavy-duty mounting brackets allow positioning the cross bars at different heights to provide proper clearance and reduce wind noise. EZ-mount Clamps secure the brackets on the rain gutters. They are easy to install or remove. Use 3-Bar Rack for more support of longer or heavier loads.

- 3-Bar Rack will support up to 500 lbs.
- Yellow Zinc Dichromate Undercoat and marine-Grade Powder Coat Epoxy finish provide superior corrosion resistance.

Black Cat. No.	White Cat. No.	Description	Approx. Shipping Wt.
2-Bar & 3-Bar Fullsize Van Racks			
40820	40823	2 Cross Bar Rain Gutter Mount	40.0 lb
40830D	40833D	3 Cross Bar Rain Gutter Mount	60.0 lb

KARGOMASTER PRO II™ Industrial-Grade Ladder Racks



KargoMaster PRO II Ladder Racks are made for superior load-carrying capacity and long-term durability. Extra strength and rigidity are provided by swaged joints and large gussets on the cross bars. PRO II Racks are longer than other racks, providing superior support and control for heavy loads. They also provide better protection for the cab roof and windshield. There is a KargoMaster PRO II Ladder Rack available to fit every make, model, and style of pickup, including pickups with camper or utility shells.

- Made of High Tensile-Strength 2" Diameter Steel Tubing, the load-bearing components will support up to 1,700 lbs
- Removable Fourth Cross Bar keeps longer, heavier loads from sagging
- Rear Cross Bar is removable for easier access when loading taller or bulky cargo
- Smooth, Round Components reduce wind noise and resistance
- Yellow Zinc Dichromate Undercoat and Marine-Grade Powder Coat Epoxy finish provide superior corrosion resistance
- A complete PRO II Ladder Rack requires ordering a Side Channel Kit and a Leg & Cross Bar Kit, see below for fitment guide
- All Pickup Truck Racks include four Standard Mounting Plates

Truck Type	Truck Model	Year	Side Channel Kit Cat. No.	Leg & Cross Bar Kit Cat. No.
PICKUP TRUCKS WITHOUT CAMPER OR UTILITY SHELL				
Fullsize Standard Cab Trucks - Long or Short Bed Racks	All Ford F Series, Silverado, Ram, Sierra & Tundra	All	S04000	L01000
Compact Standard Cab Trucks - Long or Short Bed Racks*	S-10, Ranger, Sonoma, SR5 & Tacoma	All	S03000	L02000
Fullsize Extended Cab - Long Bed Racks	Silverado, Ram, Sierra, Tundra, F250 & F350	All	S06000	L01000
Fullsize Crew Cab - Long Bed Racks	F250 & F350	1999 & Up	S06000	L01040
Fullsize Crew Cab - Long Bed Racks	Silverado, Sierra & Ram	All	S06000	L01000
Fullsize Extended Cab - Short Bed Racks	F150, Silverado, Sierra, Ram, Tundra, F250 & F350	All	S06010	L01000
Fullsize Crew Cab - Short Bed Racks	F250 & F350	1999 & Up	S06010	L01040
Fullsize Crew Cab - Short Bed Racks	Silverado, Sierra & Ram	All	S06010	L01000
Compact Extended & Crew Cab - Short Bed Racks	Dakota	All	S03120	L02000
Compact Extended & Crew Cab - Short Bed Racks	Ranger, S-10, Sonoma, SR5 & Tacoma	All	S03030	L02000
PICKUP TRUCKS WITH CAMPER OR UTILITY SHELL				
Fullsize Standard Cab Trucks - Long Bed Racks	F150, Silverado, Ram, Sierra & Tundra	All	S04000	L01110
Fullsize Standard Cab Trucks - Long Bed Racks	F250 & F350	1999 & Up	S04000	L01130
Compact Standard Cab Trucks - Long Bed Racks	Sonoma, SR5 & Tacoma	All	S03000	L02110
Fullsize Extended Cab - Long Bed Racks	Silverado, Ram & Sierra	All	S06000	L01110
Fullsize Extended Cab - Long Bed Racks	F250 & F350	1999 & Up	S06000	L01130
Fullsize Extended & Crew Cab - Short Bed Racks	Silverado, Sierra & Ram**	All	S06010	L01110
Fullsize Extended & Crew Cab - Short Bed Racks	F150	1997 & Up	S06010	L01110
Fullsize Extended & Crew Cab - Short Bed Racks	F250 & F350	1999 & Up	S06010	L01130
Compact Extended & Crew Cab - Short Bed Racks	S-10, Sonoma, SR5 & Tacoma	All	S03030	L02110
Compact Extended & Crew Cab - Short Bed Racks	Ranger	1993 & Up	S03320	L02130

*Note: Short Bed Applications Simply Require Cutting To Shorten Upper Side Channels
 ** Note: 2002 & Up Ram Requires Cutting Of S06010 Upper Side Channels. Does Not Effect Strength

KARGOMASTER Fullsize Truck Window Guard

- 16-Gauge Cold Rolled Steel Window Guard
- Bolts On Existing Rack (Rack and mounting Plates not Included)
- Protects Rear Window While adding Support For The Rack
- Rugged Powder Coat Paint Finish
- 3rd Brake Light Cut Out
- To install Window Guard on PRO III L80000 Rack or PRO II Rack using L01040 Legs requires ordering Clamp Kit # A3108A.

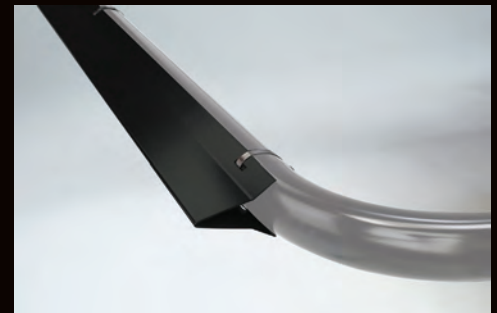


Cat. No.	Approx. Shipping Wt.
A31080D	22 lb

KARGOMASTER Wind Deflector

- Mounts On Front Bar To Reduce Wind Noise Created By Some Truck Designs

Cat. No.	Approx. Shipping Wt.
A31570	6 lb



KARGOMASTER Water Jug Mount

- Jug Is Easy to Load and Unload
- Jug Not Included
- Mount Bolts on Leg Where Desired

Cat. No.	Approx. Shipping Wt.
A31160	8 lb



KARGOMASTER Load Dividers

- Holes in Dividers to Secure Cargo to Them
- Sold in Pairs

Cat. No.	Approx. Shipping Wt.
A31020D	10 lb



KARGOMASTER Conduit Box Kit

- Use One on Each End of the Conduit with a Padlock to Prevent Theft

Cat. No.	Approx. Shipping Wt.
A31000	12 lb



KARGOMASTER Utility Hook

- Long Upright Provides a Second Hanging Point Inside the Bed

Cat. No.	Approx. Shipping Wt.
A31150	4 lb



KARGOMASTER Optional Full-Length Bed Rail Support Mounts WITHOUT Camper \ Utility Shell

- Mounts Distribute the Load Over the Entire Length of the Bed Side Walls
- Also Available for Truckswith Utility or Camper Shell
- Sold in Pairs

Cat. No.	Approx. Shipping Wt.
A31280	40 lb
A31300	50 lb



KARGOMASTER® Optional Full-Length Bed Rail Support Mounts WITH Camper \ Utility Shell

- Mounts Distribute the Load Over the Entire Length of the Bed Side Walls
- Also Available for Truckwith Utility or Camper Shell
- Sold in Pairs

Cat. No.	Approx. Shipping Wt.
A31400	90 lb
A31420	100 lb



KARGOMASTER® Bed Supports For Fullsize Trucks

- Adjustable Leg Transfers 50% of the Vertical Load From the Wall to the Bed Floor
- Set of Two Supports

Cat. No.	Approx. Shipping Wt.
A31040D	5 lb



KARGOMASTER® Ratchet Strap Tie Downs

- Bolt-On System Is Easy to Move
- Easy to Release for Unloading
- Sold in Pairs

Cat. No.	Approx. Shipping Wt.
A31490	30 lb



KARGOMASTER® Extra Cross Bar

- Bolts on Side Channels for Extra Support for Long, Heavy Cargo
- Easy to Move to Support Different Types of Loads or for Taller Cargo in the Bed

Cat. No.	Size	Approx. Shipping Wt.
A31600	Optional Bolt-On 4th Cross Bar For PRO III Model L80000	12.0 lb



KARGOMASTER Mount For Emergency Light / Antenna

- Mount Clamps onto Side Channel
- Emergency Light Antenna Not Included

Cat. No.	Approx. Shipping Wt.
A31170	3 lb



KARGOMASTER Stake Pocket T-Bolts

- Use to Bolt Mounting Plate in Stake Pockets
- Easy to Install or Remove
- Set of four T-bolts

Cat. No.	Description	Approx. Shipping Wt.
A31560	Stake Pocket T-Bolts	2 lb



KARGOMASTER "No Drill" Clamp-On Mounting Kit

- Securely Clamps on PRO II, PRO III, and Econo Rack Model L30040
- Eliminates Drilling
- Does Not Reduce Load Capacity
- One Kit Needed Per Rack

Cat. No.	Size	Approx. Shipping Wt.
A31580	No-Drill, Clamp-On Mounting Kit: Set Of 4	4.0 lb



		ALUMINUM CROSSOVERS					
		Ltd Edition Single	Low-Profile Single	Single Lid			
		Super Deep Fullsize	Fullsize	Fullsize	Deep Fullsize	73" Long	Super Deep Fullsize
Aluminum Bright Finish Model #	Steel White Finish Model #	1701000	PAC1357000	PAC1580000	PAC1582000	PAC1584000	PAC1585000
Aluminum Black Finish Model #	Steel Black Finish Model #		PAC1357002	PAC1580002	PAC1582002	PAC1584002	PAC1585002
Chevrolet & GMC Trucks							
1978-2011 Silverado/Sierra 1500	Regular Cab with Standard/Long Bed	•	•	•	•		•
	Extended Cab with Short Bed	•	•	•	•		•
2011 Silverado/Sierra 1500	Crew Cab with Short Bed	•	•	•	•		•
2011 Silverado/Sierra 2500/3500	All Cabs with All Lengths Beds	•	•	•	•		•
2002-2011 Colorado/Canyon	Regular Cab with Regular/Extended Cab Bed						
	Extended Cab with Regular/Extended Cab Bed						
2004-2011 Colorado/Canyon	Crew Cab with Crew Cab Bed						
2012-2013 Silverado/Sierra 1500	Regular Cab with Standard/Long Bed	•	•	•	•	•	•
	Extended Cab with Short Bed	•	•	•	•	•	•
	Crew Cab with Short Bed	•	•	•	•	•	•
2012-2013 Silverado/Sierra 2500/3500	Extended Cab with All Lengths Bed	•	•	•	•	•	•
	Regular/Crew Cab with All Lengths Bed	•	•	•	•	•	•
Dodge Trucks							
2011 Ram 1500	Regular Cab with Standard/Long Bed			•		•	
	Quad Cab with Standard Bed			•		•	
2011 Ram 2500/3500	Regular/Mega/Crew Cab with Standard Bed		•	•	•	•	•
2011 Dakota	Club Cab with Standard Bed						
	Quad Cab with Standard Bed						
2012-2013 Ram 1500	Regular Cab with Long Bed	•	•	•	•	•	•
	Regular Cab with Standard Bed						
	Express Quad Cab with Standard/Long Bed						
	Longhorn Crew Cab with Standard Bed						
2012-2013 Ram 2500/3500	Regular/Mega/Crew Cab with Standard Bed						
Ford Trucks							
2007-2011 Explorer	Sport-Trac Cab with Standard Bed						
2011 F-150	Styleside Cab with Short 5.5' Bed	•	•	•	•		
	Styleside Cab with Standard 6.75' / Long 8' Bed	•	•	•	•		•
	Flareside Cab with Standard 6.5' Bed	•					
2011 F-250, F-350	Styleside Cab with Standard 6.75' / Long 8' Bed	•	•	•	•		•
1987-2011 Ranger	Regular Cab with Standard/Long Bed						
2001-2011 Ranger	Super Cab with Standard/Long Bed		•				
2012-2013 F-150	Regular Cab with Short 5.5' Bed	•	•	•	•		
	Super Cab with Standard 6.5' Bed	•	•	•	•		
	Super Crew Cab with Standard 6.5' Bed						
2012-2013 F-250, F-350	Regular/Crew Cab with Standard 6.75' / Long 8' Bed	•	•	•	•	•	•
Isuzu Trucks							
2005-2009 i-370	Standard Bed						
1997-2009 i-290	Standard Bed						
Mazda Trucks							
1997-2009 B2300	Standard Cab with Standard Bed						
1997-2009 B4000	Cab Plus 4 with Standard Bed						
Mitsubishi Trucks							
2006-2009 Raider	Extended Cab with Standard Bed						
	Double Cab with Standard Bed						
Nissan Trucks							
2011 Titan	Crew Cab with Standard/Long Bed	•	•	•	•	•	•
	King Cab with Standard/Long Bed	•	•	•	•	•	
2005-2011 Frontier	Crew/King Cab with Standard/Long Bed						
2012-2013 Titan	KC 4X2 Cab with Standard/Long Bed	•	•	•	•		•
	Crew/King Cab with Standard/Long Bed						
2012-2013 Frontier	Crew/King Cab with Standard/Long Bed						
Toyota Trucks							
2007-2011 Tundra	Regular/Double Cab with Standard/Long Bed	•	•	•	•		
	CrewMax Cab with Standard Bed	•	•	•	•		
2012-2013 Tundra	Regular/CrewMax Cab with Standard Bed						
	Double Cab with Standard Bed	•	•	•	•		•
1989-2004 Tacoma	Regular Cab with Standard Bed						
2005-2011 Tacoma	Regular Cab with Standard Bed						
	Access Cab with Standard Bed						
	Double Cab with Standard/Long Bed						
2012-2013 Tacoma	Regular Cab with Standard Bed						
	Access Cab with Standard Bed						
	Double Cab with Standard/Long Bed						

		ALUMINUM CROSSOVERS			
		Single Lid			Mid-Lid
		Fullsize	Compact	Fullsize Low Profile	Fullsize
Aluminum Bright Finish Model #	Steel White Finish Model #	1-232000	1-235000	1-351000	1-238000
Aluminum Black Finish Model #	Steel Black Finish Model #	1-232002		1-351002	1-238002
Chevrolet & GMC Trucks					
1978-2011 Silverado/Sierra 1500	Regular Cab with Standard/Long Bed	•		•	•
	Extended Cab with Short Bed	•		•	•
2011 Silverado/Sierra 1500	Crew Cab with Short Bed	•		•	•
2011 Silverado/Sierra 2500/3500	All Cabs with All Lengths Beds	•		•	•
2002-2011 Colorado/Canyon	Regular Cab with Regular/Extended Cab Bed		•		
	Extended Cab with Regular/Extended Cab Bed		•		
2004-2011 Colorado/Canyon	Crew Cab with Crew Cab Bed		•		
2012-2013 Silverado/Sierra 1500	Regular Cab with Standard/Long Bed	•		•	•
	Extended Cab with Short Bed	•		•	•
	Crew Cab with Short Bed	•		•	•
2012-2013 Silverado/Sierra 2500/3500	Extended Cab with All Lengths Bed	•		•	•
	Regular/Crew Cab with All Lengths Bed	•		•	•
Dodge Trucks					
2011 Ram 1500	Regular Cab with Standard/Long Bed	•			•
	Quad Cab with Standard Bed	•			•
2011 Ram 2500/3500	Regular/Mega/Crew Cab with Standard Bed				
2011 Dakota	Club Cab with Standard Bed		•		
	Quad Cab with Standard Bed		•		
2012-2013 Ram 1500	Regular Cab with Long Bed	•		•	•
	Regular Cab with Standard Bed				
	Express Quad Cab with Standard/Long Bed				
	Longhorn Crew Cab with Standard Bed				
2012-2013 Ram 2500/3500	Regular/Mega/Crew Cab with Standard Bed				
Ford Trucks					
2007-2011 Explorer	Sport-Trac Cab with Standard Bed				
2011 F-150	Styleside Cab with Short 5.5' Bed	•		•	•
	Styleside Cab with Standard 6.75' / Long 8' Bed	•		•	•
	Flareside Cab with Standard 6.5' Bed	•		•	•
2011 F-250, F-350	Styleside Cab with Standard 6.75' / Long 8' Bed	•		•	•
1987-2011 Ranger	Regular Cab with Standard/Long Bed		•		
2001-2011 Ranger	Super Cab with Standard/Long Bed		•		
2012-2013 F-150	Regular Cab with Short 5.5' Bed	•		•	•
	Super Cab with Standard 6.5' Bed	•		•	•
	Super Crew Cab with Standard 6.5' Bed				
2012-2013 F-250, F-350	Regular/Crew Cab with Standard 6.75' / Long 8' Bed	•		•	•
Isuzu Trucks					
2005-2009 i-370	Standard Bed		•		
1997-2009 i-290	Standard Bed		•		
Mazda Trucks					
1997-2009 B2300	Standard Cab with Standard Bed		•		
1997-2009 B4000	Cab Plus 4 with Standard Bed				
Mitsubishi Trucks					
2006-2009 Raider	Extended Cab with Standard Bed		•		
	Double Cab with Standard Bed		•		
Nissan Trucks					
2011 Titan	Crew Cab with Standard/Long Bed	•		•	•
	King Cab with Standard/Long Bed	•		•	•
2005-2011 Frontier	Crew/King Cab with Standard/Long Bed		•		
2012-2013 Titan	KC 4X2 Cab with Standard/Long Bed	•		•	•
	Crew/King Cab with Standard/Long Bed				
2012-2013 Frontier	Crew/King Cab with Standard/Long Bed				
Toyota Trucks					
2007-2011 Tundra	Regular/Double Cab with Standard/Long Bed	•		•	•
	CrewMax Cab with Standard Bed	•		•	•
2012-2013 Tundra	Regular/CrewMax Cab with Standard Bed				
	Double Cab with Standard Bed	•		•	•
1989-2004 Tacoma	Regular Cab with Standard Bed		•		
2005-2011 Tacoma	Regular Cab with Standard Bed		•		
	Access Cab with Standard Bed		•		
	Double Cab with Standard/Long Bed		•		
2012-2013 Tacoma	Regular Cab with Standard Bed		•		
	Access Cab with Standard Bed		•		
	Double Cab with Standard/Long Bed		•		

		VALUE ALUMINUM CROSSOVERS						STRUCTURAL FOAM CROSSOVERS	
		Single Lid		Slimline Single Lid		Mid-Lid		Fullsize	Compact
		Fullsize	Compact	Fullsize	Compact	Fullsize	Compact		
Aluminum Bright Finish Model #	Structural Foam Model #	942000	943000	296000	297000	940000	941000	203000D	204000D
Chevrolet & GMC Trucks									
1978-2011 Silverado/Sierra 1500	Regular Cab with Standard/Long Bed	•		•		•		•	
	Extended Cab with Short Bed	•		•		•		•	
2011 Silverado/Sierra 1500	Crew Cab with Short Bed	•		•		•		•	
2011 Silverado/Sierra 2500/3500	All Cabs with All Lengths Beds	•		•		•		•	
2002-2011 Colorado/Canyon	Regular Cab with Regular/Extended Cab Bed		•		•		•		•
	Extended Cab with Regular/Extended Cab Bed		•		•		•		•
2004-2011 Colorado/Canyon	Crew Cab with Crew Cab Bed		•		•		•		
2012-2013 Silverado/Sierra 1500	Regular Cab with Standard/Long Bed	•		•		•		•	
	Extended Cab with Short Bed	•		•		•		•	
	Crew Cab with Short Bed	•		•		•		•	
2012-2013 Silverado/Sierra 2500/3500	Extended Cab with All Lengths Bed	•		•		•		•	
	Regular/Crew Cab with All Lengths Bed	•		•		•		•	
Dodge Trucks									
2011 Ram 1500	Regular Cab with Standard/Long Bed	•		•		•		•	
	Quad Cab with Standard Bed	•		•		•		•	
2011 Ram 2500/3500	Regular/Mega/Crew Cab with Standard Bed	•		•		•		•	
2011 Dakota	Club Cab with Standard Bed		•		•		•		
	Quad Cab with Standard Bed		•		•		•		
2012-2013 Ram 1500	Regular Cab with Long Bed	•		•		•		•	
	Regular Cab with Standard Bed								
	Express Quad Cab with Standard/Long Bed								
	Longhorn Crew Cab with Standard Bed								
2012-2013 Ram 2500/3500	Regular/Mega/Crew Cab with Standard Bed								
Ford Trucks									
2007-2011 Explorer	Sport-Trac Cab with Standard Bed								
2011 F-150	Styleside Cab with Short 5.5' Bed	•		•		•		•	
	Styleside Cab with Standard 6.75' / Long 8' Bed	•		•		•		•	
	Flareside Cab with Standard 6.5' Bed							•	
2011 F-250, F-350	Styleside Cab with Standard 6.75' / Long 8' Bed	•		•		•		•	
1987-2011 Ranger	Regular Cab with Standard/Long Bed		•		•		•		•
2001-2011 Ranger	Super Cab with Standard/Long Bed		•		•		•		•
2012-2013 F-150	Regular Cab with Short 5.5' Bed	•		•		•		•	
	Super Cab with Standard 6.5' Bed	•		•		•		•	
	Super Crew Cab with Standard 6.5' Bed								
2012-2013 F-250, F-350	Regular/Crew Cab with Standard 6.75' / Long 8' Bed	•		•		•		•	
Isuzu Trucks									
2005-2009 i-370	Standard Bed		•		•		•		
1997-2009 i-290	Standard Bed		•		•		•		
Mazda Trucks									
1997-2009 B2300	Standard Cab with Standard Bed				•				
1997-2009 B4000	Cab Plus 4 with Standard Bed				•				
Mitsubishi Trucks									
2006-2009 Raider	Extended Cab with Standard Bed		•		•		•		
	Double Cab with Standard Bed		•		•		•		
Nissan Trucks									
2011 Titan	Crew Cab with Standard/Long Bed	•		•		•		•	
	King Cab with Standard/Long Bed	•		•		•		•	
2005-2011 Frontier	Crew/King Cab with Standard/Long Bed		•		•				•
2012-2013 Titan	KC 4X2 Cab with Standard/Long Bed							•	
	Crew/King Cab with Standard/Long Bed								
2012-2013 Frontier	Crew/King Cab with Standard/Long Bed								
Toyota Trucks									
2007-2011 Tundra	Regular/Double Cab with Standard/Long Bed	•		•		•		•	
	CrewMax Cab with Standard Bed	•		•		•		•	
2012-2013 Tundra	Regular/CrewMax Cab with Standard Bed								
	Double Cab with Standard Bed	•		•		•		•	
1989-2004 Tacoma	Regular Cab with Standard Bed		•		•		•		
2005-2011 Tacoma	Regular Cab with Standard Bed		•		•		•		
	Access Cab with Standard Bed		•		•		•		
	Double Cab with Standard/Long Bed		•		•		•		
2012-2013 Tacoma	Regular Cab with Standard Bed		•		•		•		
	Access Cab with Standard Bed		•		•		•		
	Double Cab with Standard/Long Bed		•		•		•		

		ALUMINUM CROSSOVERS					
		Low-Profile Single Single Lid			Slimline Single Lid	Single Lid	
		Fullsize	Fullsize	Mid-Size	Fullsize	Fullsize	Deep Fullsize
Aluminum Bright Finish Model # Steel White Finish Model # Aluminum Black Finish Model # Steel Black Finish Model #		1-302000	1-309000	1-310000	1-311000	1-300000	1-301000
		1-302002	1-309002	1-310002	1-311002	1-300002	1-301002
Chevrolet & GMC Trucks							
1978-2011 Silverado/Sierra 1500	Regular Cab with Standard/Long Bed	•	•		•	•	•
	Extended Cab with Short Bed	•	•		•	•	•
2011 Silverado/Sierra 1500	Crew Cab with Short Bed	•	•		•	•	•
2011 Silverado/Sierra 2500/3500	All Cabs with All Lengths Beds	•	•		•	•	•
2002-2011 Colorado/Canyon	Regular Cab with Regular/Extended Cab Bed			•			
	Extended Cab with Regular/Extended Cab Bed			•			
2004-2011 Colorado/Canyon	Crew Cab with Crew Cab Bed				•		
2012-2013 Silverado/Sierra 1500	Regular Cab with Standard/Long Bed	•	•		•	•	•
	Extended Cab with Short Bed	•	•		•	•	•
	Crew Cab with Short Bed	•	•		•	•	•
2012-2013 Silverado/Sierra 2500/3500	Extended Cab with All Lengths Bed	•	•			•	•
	Regular/Crew Cab with All Lengths Bed	•	•			•	•
Dodge Trucks							
2011 Ram 1500	Regular Cab with Standard/Long Bed	•			•	•	•
	Quad Cab with Standard Bed	•			•	•	•
2011 Ram 2500/3500	Regular/Mega/Crew Cab with Standard Bed		•		•		
2011 Dakota	Club Cab with Standard Bed			•			
	Quad Cab with Standard Bed			•			
2012-2013 Ram 1500	Regular Cab with Long Bed	•	•		•	•	•
	Regular Cab with Standard Bed						
	Express Quad Cab with Standard/Long Bed						
	Longhorn Crew Cab with Standard Bed						
2012-2013 Ram 2500/3500	Regular/Mega/Crew Cab with Standard Bed						
Ford Trucks							
2007-2011 Explorer	Sport-Trac Cab with Standard Bed						
2011 F-150	Styleside Cab with Short 5.5' Bed	•	•		•	•	•
	Styleside Cab with Standard 6.75' / Long 8' Bed	•	•		•	•	•
	Flareside Cab with Standard 6.5' Bed	•			•	•	•
2011 F-250, F-350	Styleside Cab with Standard 6.75' / Long 8' Bed	•	•		•	•	•
1987-2011 Ranger	Regular Cab with Standard/Long Bed						
2001-2011 Ranger	Super Cab with Standard/Long Bed						
2012-2013 F-150	Regular Cab with Short 5.5' Bed	•	•		•	•	•
	Super Cab with Standard 6.5' Bed	•	•		•	•	•
	Super Crew Cab with Standard 6.5' Bed						
2012-2013 F-250, F-350	Regular/Crew Cab with Standard 6.75' / Long 8' Bed	•	•		•	•	•
Isuzu Trucks							
2005-2009 i-370	Standard Bed			•			
1997-2009 i-290	Standard Bed			•			
Mazda Trucks							
1997-2009 B2300	Standard Cab with Standard Bed						
1997-2009 B4000	Cab Plus 4 with Standard Bed						
Mitsubishi Trucks							
2006-2009 Raider	Extended Cab with Standard Bed						
	Double Cab with Standard Bed						
Nissan Trucks							
2011 Titan	Crew Cab with Standard/Long Bed	•	•		•	•	•
	King Cab with Standard/Long Bed	•	•		•	•	•
2005-2011 Frontier	Crew/King Cab with Standard/Long Bed			•			
2012-2013 Titan	KC 4X2 Cab with Standard/Long Bed	•			•	•	•
	Crew/King Cab with Standard/Long Bed						
2012-2013 Frontier	Crew/King Cab with Standard/Long Bed						
Toyota Trucks							
2007-2011 Tundra	Regular/Double Cab with Standard/Long Bed	•	•		•	•	•
	CrewMax Cab with Standard Bed	•	•		•	•	•
2012-2013 Tundra	Regular/CrewMax Cab with Standard Bed						
	Double Cab with Standard Bed	•	•		•	•	•
1989-2004 Tacoma	Regular Cab with Standard Bed			•			
2005-2011 Tacoma	Regular Cab with Standard Bed			•			
	Access Cab with Standard Bed			•			
	Double Cab with Standard/Long Bed			•			
2012-2013 Tacoma	Regular Cab with Standard Bed			•			
	Access Cab with Standard Bed			•			
	Double Cab with Standard/Long Bed			•			

How-To Measure Your Truck

The following instructions generally work well when measuring a full-size truck. Mid-size and Compact trucks have a variety of truck bed configurations which increase the difficulty in measuring the truck and comparing it to the dimensions of a specific truck box. In nearly all instances, the Fitment Guide (pages 54 through 59) will provide accurate information unless the truck is a new model introduced after August, 2013.

THE TRUCK BED NEEDS TO BE MEASURED FOR TWO REASONS:

- A. To Determine that the Truck Box will be long enough to be properly mounted on the truck bed rails.
- B. To Determine whether or not the truck wheel wells will interfere and prevent proper mounting of the truck box.

A: DETERMINING THAT THE TRUCK BOX IS LONG ENOUGH TO BE PROPERLY MOUNTED:

MEASUREMENT 1: Width between the top of the bed sidewalls...Dimension "A" of the crossover Truckbox needs to be at least 3" greater.

B. DETERMINING WHETHER OR NOT THE TRUCK BOX WILL CLEAR THE WHEEL WELLS IN THE TRUCK....NEED TO FIND POINT "X" IN THE TRUCK BED:

Preparing to take Measurements 2 & 3 to find a point "X" in the truck bed to ensure that the truck box will fit your truck:

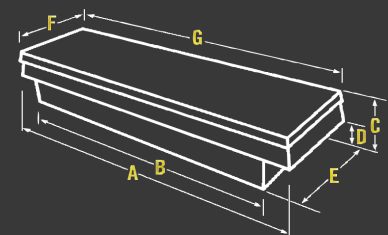
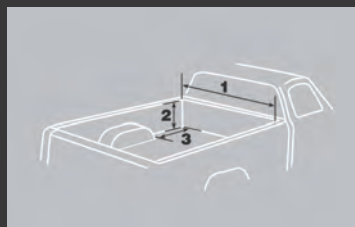
- The depth of the truck box may restrict its fit in the truck because the wheel well might be in the way.
- Except for "Extra-Wide" truck boxes, most truck boxes will require 20 1/4" of horizontal space from the cab bed rail to the point where the Truck Box might hit the wheel well or the truck bed liner .

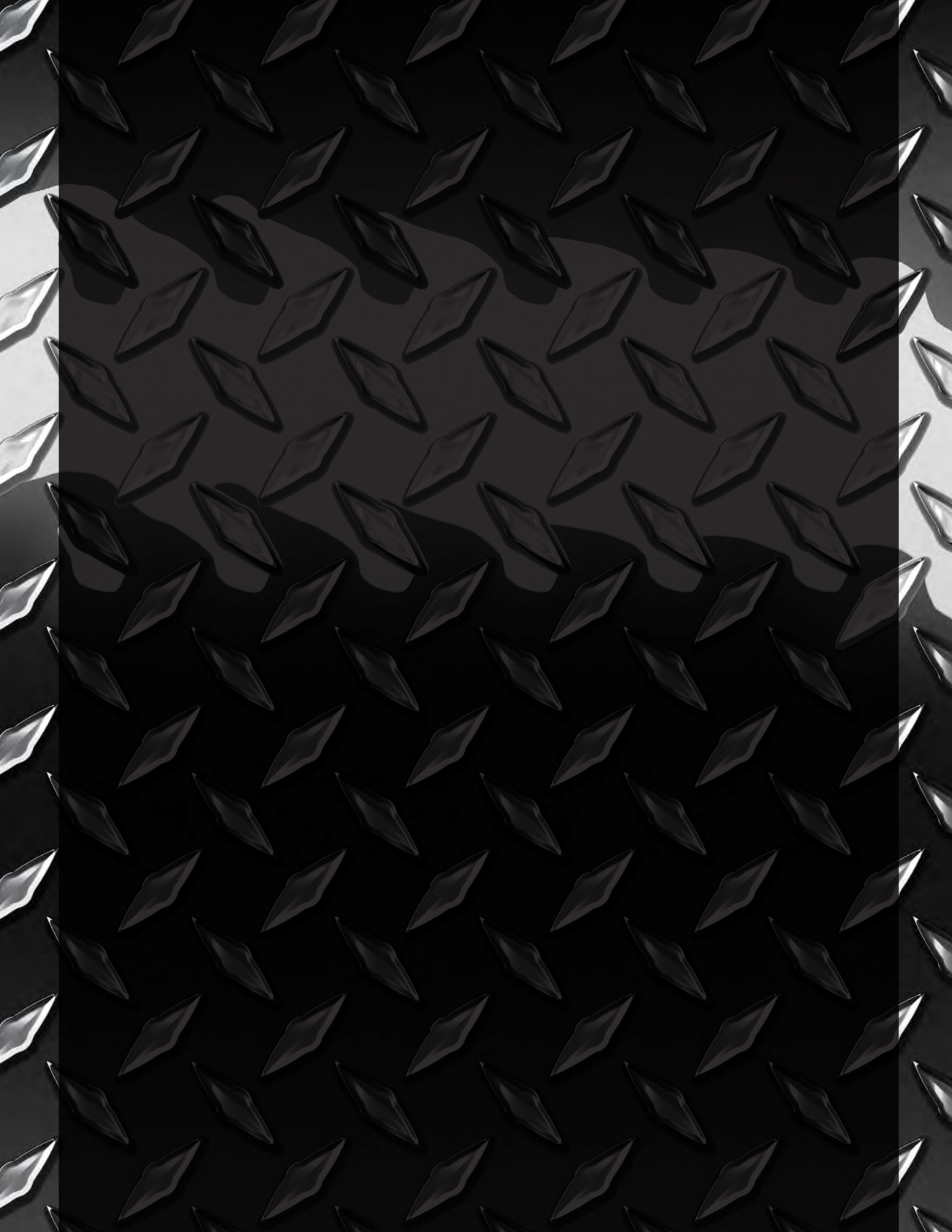
MEASUREMENT 2: A "Standard" Truck box will usually have a 9" V ertical depth below the top of the truck bed rail. A "Deep " model will usually be 12" below the top of the bed rail.

- Determine how deep a truck box you need and measure down from the top of the rail and create an imaginary, HORIZONTAL line at the depth of the truck box you need...usually 9" or 12" below the top of the truck bed rail. This is called Dimension "C" on the truck box.

MEASUREMENT 3: Find Point "X" which is on the horizontal "Imaginary Line " below the truck rail (from "2" above). On the horizontal "Imaginary Line"...Measure to find a point 20 1/4" away from the front truck bed rail (This measurement is from the Cab Truck Bed Rail Towards the Tailgate). The 20 1/4" is roughly Dimension "E" on the truck box and represents how much space the truck box will take in the bed behind the truck cab. After finding Point "X" in your Truck Bed...will the truck box fit?: Again, Point "X" is 20 1/4" away from the front truck cab rail on the Imaginary Horizontal Line (from measurement 2) If point "X" does not hit the wheel well, the truck box will fit. If point "X" hits the Wheel Well, you must make another measurement:

- Mark Point "X" on both wheel wells or the wheel well bed liner
- Measure the distance between the two point "X"s on the truck bed. This dimension must be greater than Dimension "B" on the Truckbox
- If Dimension "B" on the truck box is GREATER than the distance between both point "X"s, the truck box will hit the wheel well or bed liner and you will usually need to select another truck box or mount the truck box with a spacer above the bed rail.





iDELTA PRO

**DELTA
CHAMPION**

iDELTA

JOBSITE
by **DELTA**

KARGO MASTER

www.deltastorage.com

Apex Tool Group, LLC
14600 York Road, Suite A
Sparks, MD 21152
www.apextoolgroup.com

Customer Service:
Phone: 800.643.0084
Fax: 877.356.4081

Printed in U.S.A.
#T550881
8/1/2013

Distributed by: