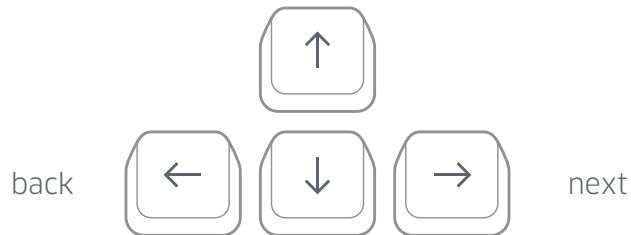
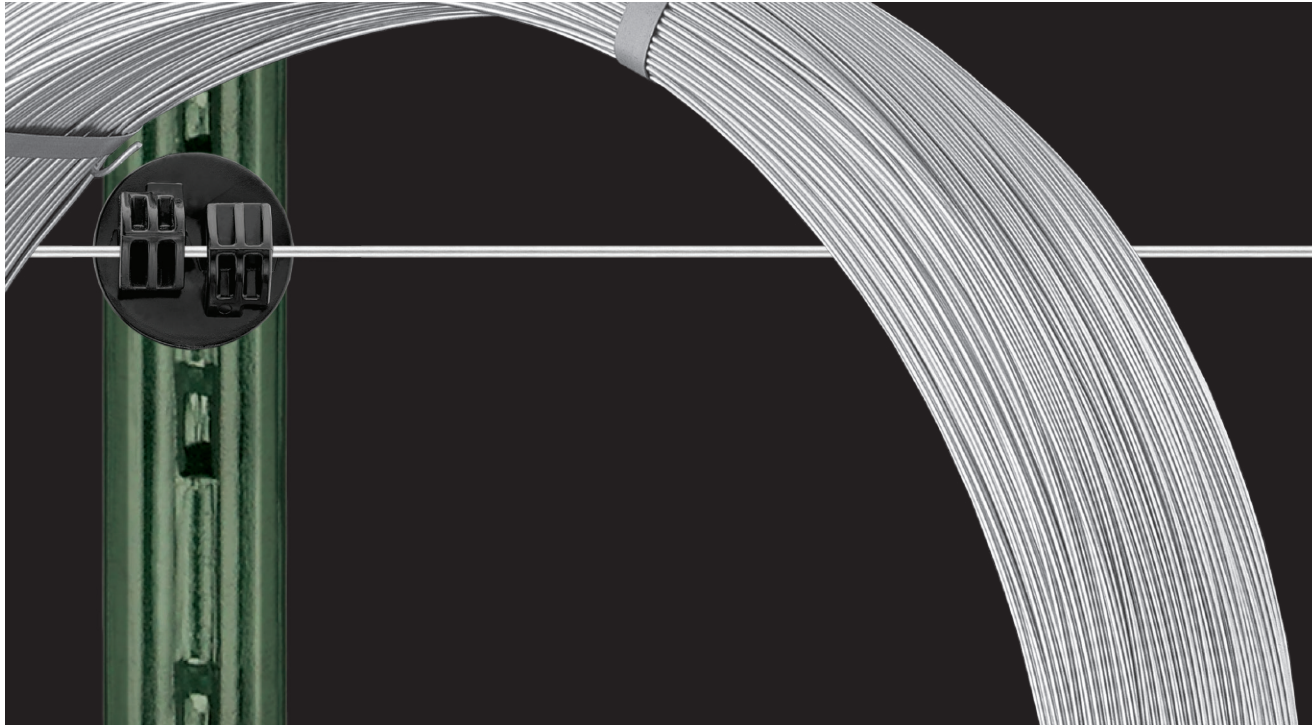
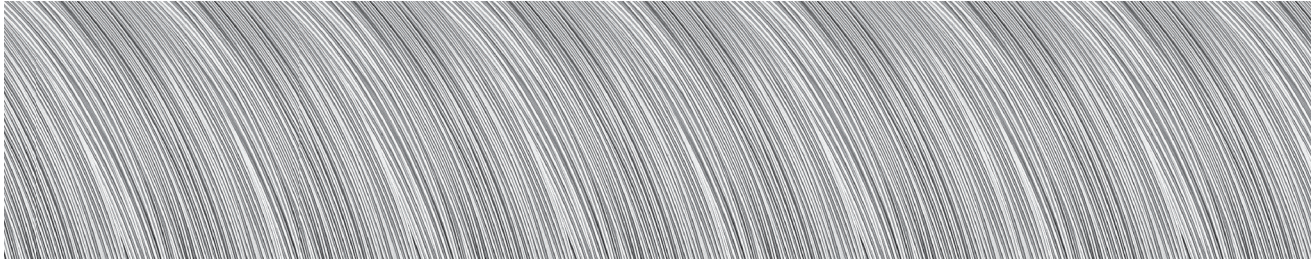


Use the arrow keys to easily navigate through the course.



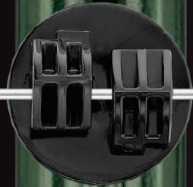
# **ELECTRIC FENCE**





## DESCRIPTION

Steel wire that is highly resistant and highly conductive to electricity. It has a galvanized coating Class I and/or Class III.



## FEATURES

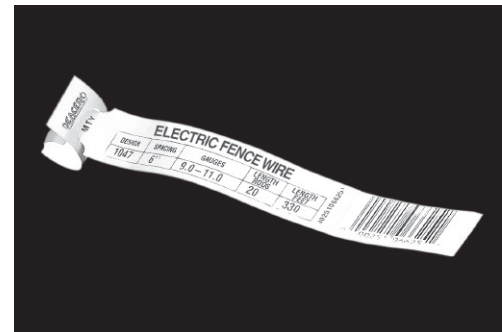
- Highly resistant steel that is safer, tougher and has more tensile strength than average wire.
- Reeled in a special way which makes it easier to unwind.
- Comes in a new 25 kg size, making it easier to handle.

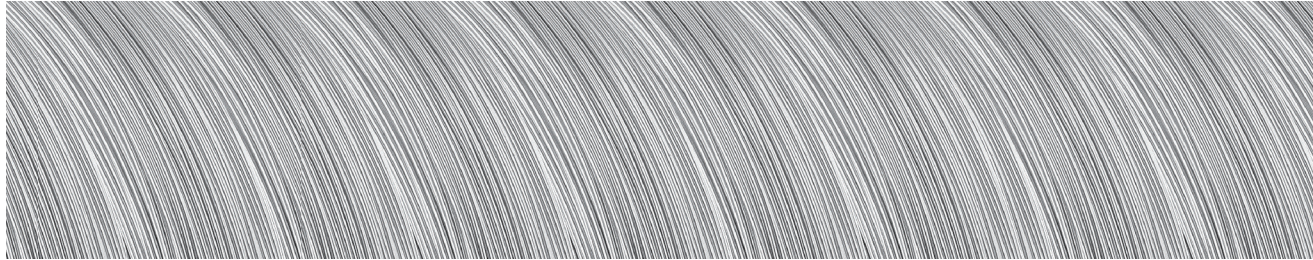




## FEATURES

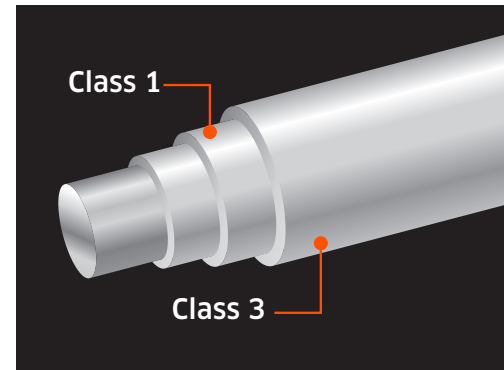
- High tensile.
- Heavy duty galvanized.
- Breaking strength of 170 to 200 ksi.
- UPC Coded.



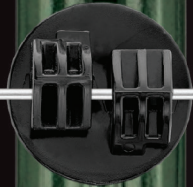


## ADVANTAGES

- Safer! Steel that is more resistant to cutting. Offers better electric conductivity.
- Made with high carbon steel that requires minimal maintenance, it will not sag.
- Resists rust due to its galvanized coating Class I and/or Class III.
- Allows spacing of 20 meters between posts without the wire sagging.

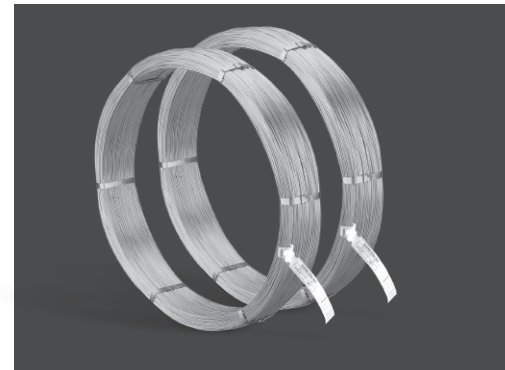






## ADVANTAGES

- Extra strength.
- Long lasting.
- Saves 77% on posts.
- Added electric conductivity.
- Corrosion and rust resistant.
- Easy to unroll and install.
- Meets ASTM 845.
- Meets ASTM-A-641.



## APPLICATIONS

- **Agricultural.**
  - Stationary interior fencing for controlling livestock.
  - Predatory control, prevents the passage of undesired animals.
- **Residential/Industrial.**
  - Additional protection for the top of fences or walls.





## APPLICATIONS



## APPLICATIONS





## APPLICATIONS



## APPLICATIONS



## TECHNICAL SPECIFICATIONS

### Electric Fence Wire Class 3

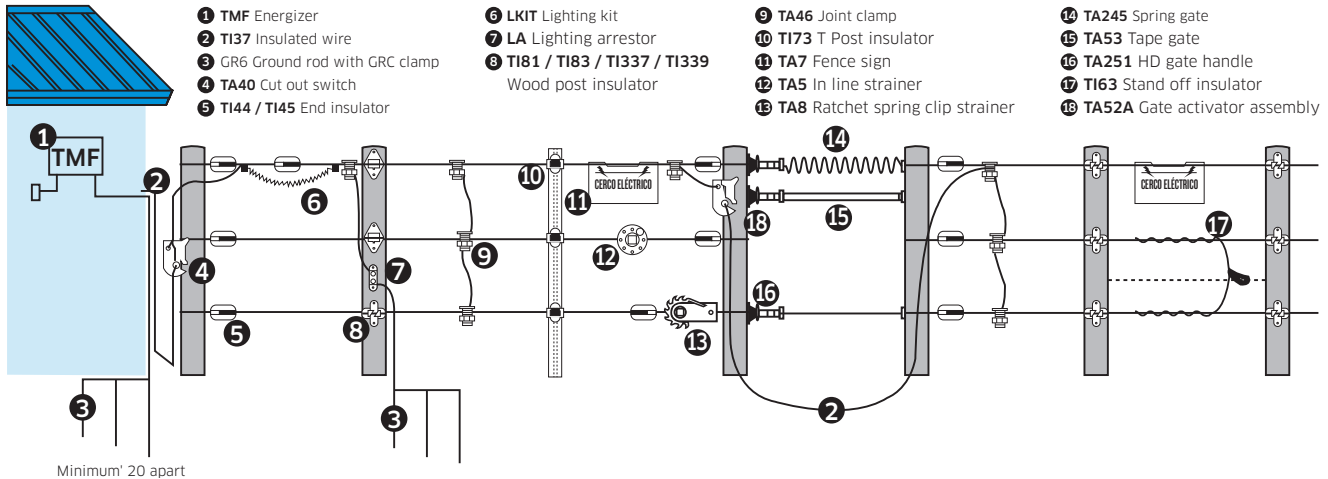
Gauge	Steel Grade	Wire Diameter	Weight	Length	Rolls Diam. Approx.	Rolls per Pallet	Deacero Part No.
				(")	(")	(")	
12.5	1049	0.099	66	2640	1.97	20	<b>5655</b>
12.5	1049	0.099	100	4000	1.97	20	<b>5658</b>
12.5	1049	0.099	100	4000	1.97	20	<b>5663</b>

### Electric Fence Wire Spools

Gauge	Mile Length	Spools per Box	Approx. Weight per Box	Boxes per Pallet	Deacero Part No.
14	1/2	1	44	36	<b>5681</b>
14	1/4	2	44	36	<b>5680</b>
17	1/2	2	40	36	<b>5683</b>
17	1/4	4	40	36	<b>5682</b>



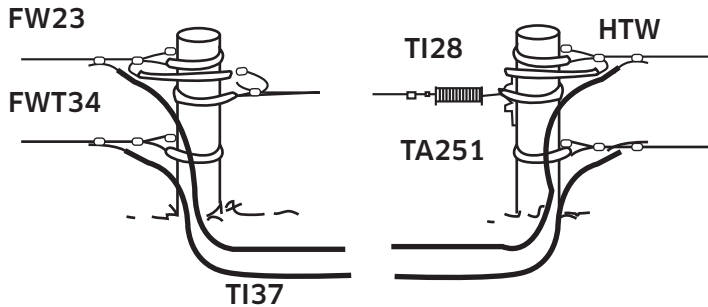
## INSTALLATION GUIDE



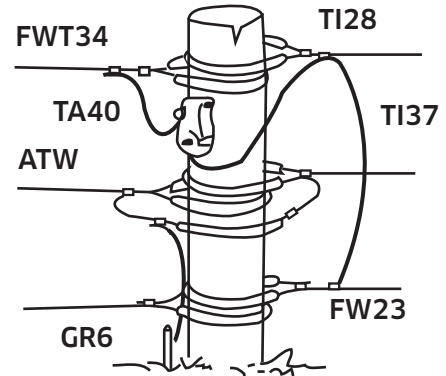


## INSTALLATION GUIDE

Underground insulated wire and gate handle



Cut off switch and ground rod



# Thanks!

Now it's time to test what you have learned in this course. Complete the Electric Fence quiz.