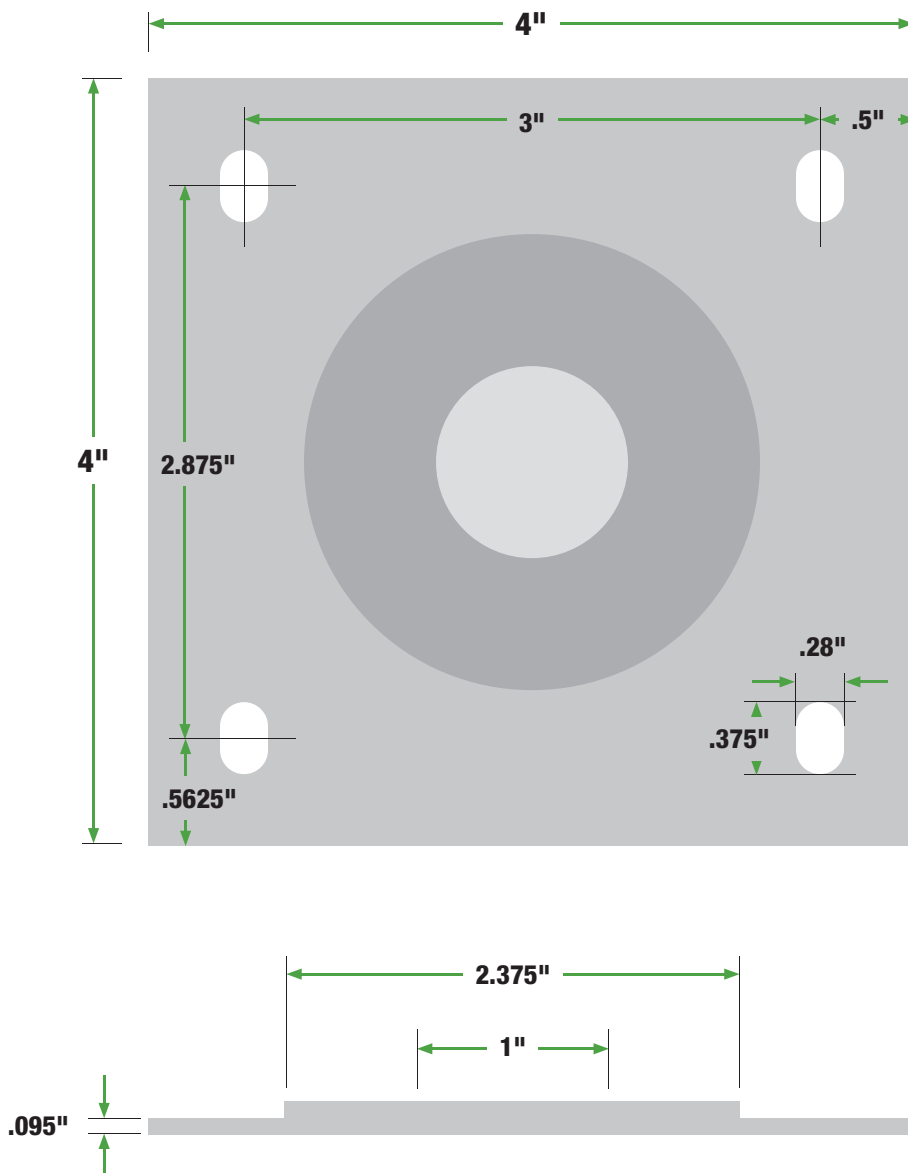


ADJUSTABLE JACK POST Plate Specs

Models: 1C, 79G, 2T, 3T, 4T

MATERIAL: 13 guage galvanized

+/- .01 unless otherwise specified



ADJUSTABLE JACK POST Plate Specs

Model: MA

MATERIAL: 7 guage galvanized

.171 min. .187 max

