



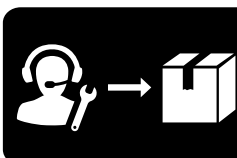
**MODEL #BD201045**



## **PARTS INFORMATION**

**2300W PORTABLE INVERTER GENERATOR**

**SERIAL NUMBER RANGE: ALL**

An icon showing a person wearing a headset and holding a wrench, with an arrow pointing to a box, symbolizing customer support or parts ordering.

To order replacement parts please visit:  
**[black-diamond.com](http://black-diamond.com)**  
or call **1-888-373-8272**.

## **TABLE OF CONTENTS**

<b>Inverter Generator Parts Diagram</b> .....	<b>3</b>
<b>Inverter Generator Parts List</b> .....	<b>4</b>
<b>Engine Parts Diagram</b> .....	<b>6</b>
<b>Engine Parts List</b> .....	<b>7</b>
<b>Cylinder Head Diagram</b> .....	<b>9</b>
<b>Cylinder Head List</b> .....	<b>10</b>
<b>Carburetor Diagram</b> .....	<b>11</b>
<b>Carburetor List</b> .....	<b>12</b>
<b>Mounting Plate Assembly Part Diagram</b> .....	<b>13</b>
<b>Mounting Plate Assembly Part List</b> .....	<b>14</b>
<b>Fuel Tank Part Diagram</b> .....	<b>15</b>
<b>Fuel Tank Part List</b> .....	<b>16</b>
<b>Outlet Panel Part Diagram</b> .....	<b>17</b>
<b>Outlet Panel Part List</b> .....	<b>18</b>
<b>Wiring Diagram</b> .....	<b>19</b>

# INVERTER GENERATOR PARTS DIAGRAM

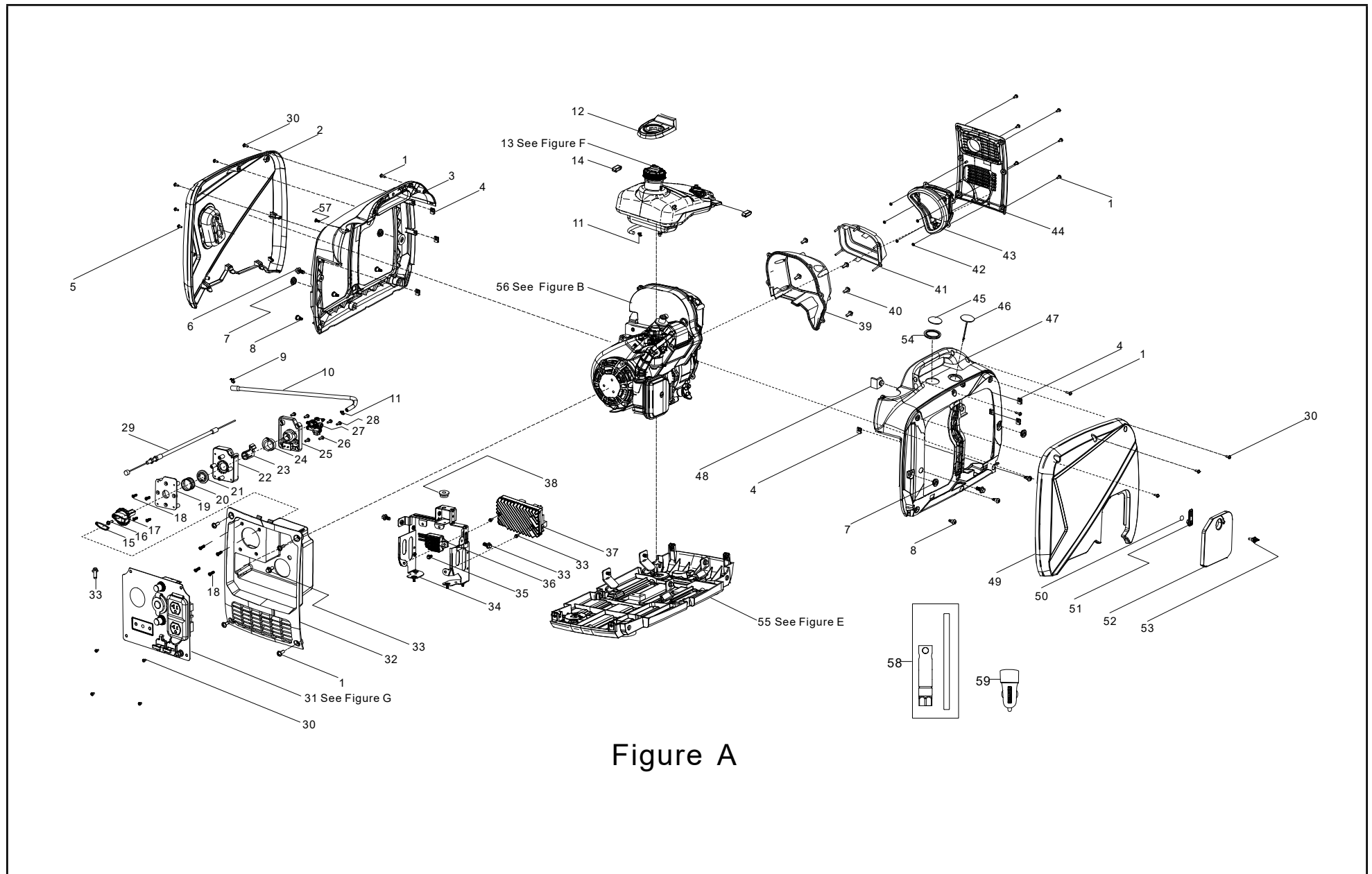


Figure A

## INVERTER GENERATOR PARTS LIST

#	Part Number	Description	Qty.
1	90255-0516-53A0	Cross Recess Pan Head Screw & Washer Assembly, M5 x 16, Black Zinc	13
2	80092HYHX0110-Q200	Cover Board, Left	1
3	80091-Y5V0120-Q202	Shell, Left	1
4	17199-Y2V0110-00A0	Clip Nut, M5 Blue White Zinc	6
5	90103-0508-53A0	Cross Recess Pan Head Screw, M5 x 8, Black Zinc	2
6	90007-0612-A1A0	Flange Bolt, M6 x 12, Blue White Zinc	2
7	16601-Y2V0210-0001	Vibration Mount 2, Fuel Tank	4
8	90208-Y2V0110-00A0	Hexagonal Step Bolt	6
9	90685-Z020110-0000	Clamp, Ø9.5 x 0.8 x 8, Army Green Zinc	1
10	90686HY2V0110-00M0	Fuel Pipe, Ø4.5×Ø8.5×(17.5+6.5+200)	1
11	90685-Z080110-0400	Clamp, Ø8.5 x 8 x 0.6, Army Green Zinc	2
12	16641-Y2V0110-0001	Rubber Sleeve, Filling Fuel Hole	1
13	ELYL4W-YXZJ-F000	Fuel Tank Assembly - See Figure F	1
14	90683-Y2V0110-0001	Bushing	2
15	35674-YHX0110-R9A0	Gap, Knob	1
16	90103-0416-51A0	Cross Recess Pan Head Screw, M4 x 16 Blue White Zinc	1
17	35643-YHX0110-Q2A0	Knob, Switch Dial, Engine	1
18	90129-0416-01A0	Cross Recess Countersunk Head Tapping Screw, ST4.2×16, White Zinc	8
19	16265-YHX0110-Q200	Support Plate 1	1
20	28224-YHX0110-00A0	Compression Spring	1
21	16265-YHX0210-Q200	Support Plate 2	1
22	35021-YHX0110-0000	Control Enclosure	1
23	16144-YHX0210-0000	Stop block, Choke Pull 1	1
24	16144-YHX0110-0000	Stop block, Choke Pull 2	1
25	50132HYHX0110-0000	Bracket, Switch	1
26	90107-0413-03A0	Cross Recess Pan Head Tapping Screw, ST4.2×13, Black Zinc	4

#	Part Number	Description	Qty.
27	16750-YJ10110-0000	Switch, Fuel	1
28	90255-0410-51A0	Cross Recess Pan Head Screw & Washer Assembly, M4×10 Blue White Zinc	2
29	16080-YHX0110-0000	Choke Handle Subassembly	1
30	90255-0512-53A0	Cross Recess Pan Head Screw & Washer Assembly, M5×12 Black Zinc	10
31	ELYL4W-KZMB-G000	Control Panel Assembly - See Figure G	1
32	35680HYHX0110-Q200	Seat, Panel	1
33	90001-0612-01A0	Hexagon Flange Bolt, M6 x 16, Blue White Zinc	6
34	30081-YHX0110-0000	Bracket, Inverter	1
35	90001-0616-01A0	Hexagon Flange Bolt, M6 x 16, Blue White Zinc	1
36	30060-YHY0110-0000	AVR	1
37	30043-YHY0110-0000	Inverter	1
38	16601-Y2V0110-0001	Vibration Mount, Fuel Tank	1
39	18109-Z800110-0001	Cover, Muffler	1
40	90107-0516-01A0	Cross Recess Pan Head Tapping Screw, ST4.8*9.5, White Zinc	5
41	18002-Z800110-0001	Louver, Muffler	1
42	37073-Y2V0110-00A0	Clip, Spring	5
43	53202-Y2V0110-0001	Rubber Sleeve, Connector	1
44	18002-YHX0110-Q200	Louver, Muffler	1
45	37205-Y2V0310-00A1	Fuel Level View, Fuel Gauge	1
46	30431-Y2V0110-0001	Rubber Sleeve	1
47	80095-Y5V0120-Q202	Shell, Right	1
48	50033-Y2V0110-0001	Cushion Rubber	1
49	80096HYHX0110-Q200	Cover Board, Right	1
50	37073-Y2V0110-00A0	Clip, Spring	1
51	24329-YCF0110-Q201	Block 2	1
52	51197HYHX0111-Q200	Side Access Panel, Service	1
53	80105-YB00110-Q201	Access Panel Knobs	1

#	Part Number	Description	Qty.
54	30431-Y2V0310-0001	Rubber Sleeve	1
55	ELYL4W-DBZH-E000	Mounting Plate Assembly, Engine - See Figure E	1
56	R20AISPFPFB-CMP301	Engine - See Figure B	1
57	90124-Y9T0310-00A0	Tapping Screw, PT4.2×13	1
58	93130-YHY0110-0100	Spark Plug Socket	1
59	35613-YBE0110-0000	12VDC USB Adapter	1

# ENGINE PARTS DIAGRAM

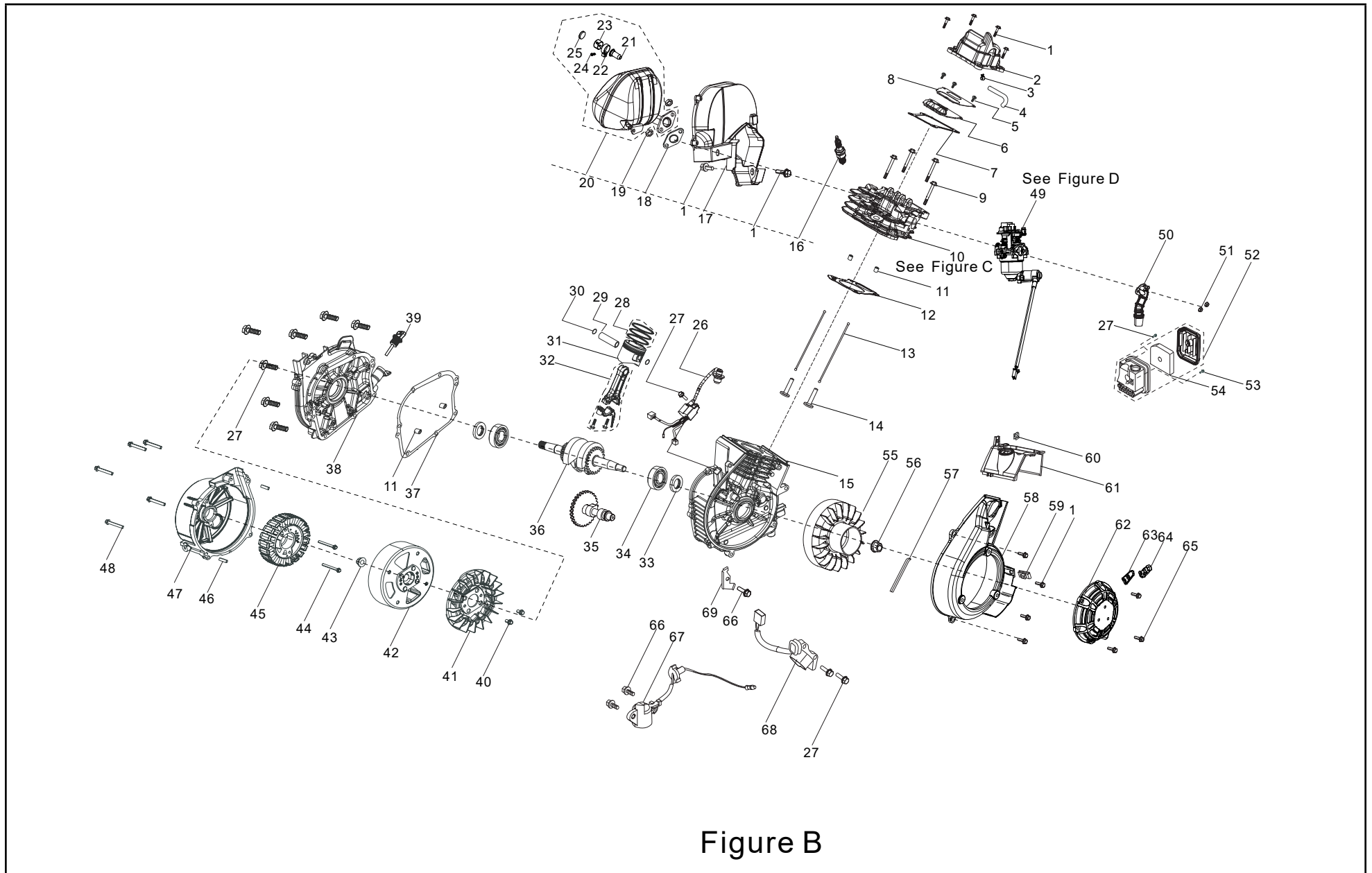


Figure B

**ENGINE PARTS LIST**

#	Part Number	Description	Qty.
1	90007-0616-A1A0	Hexagon Flange Bolt, M6 x 16, Blue White Zinc	10
2	12410-Z800110-00A0	Cylinder Head Cover Subassembly	1
3	90685-Z030110-0000	Clamp, Ø10.5	1
4	17004-Z800110-00A0	Tube, Breather	1
5	90103-0308-51A0	Cross Recess Pan Head Screw, M3x8, Blue White Zinc	3
6	11320-Z800110-00A0	Assembly, Breather	1
7	12004-Z800120-0000	Cylinder Head Cover Gasket	1
8	11332-Z800110-00A0	Gasket, Breather Groove Cover	1
9	12003-Z800110-00A0	Cylinder Head Bolt, M6 x 50, Blue White Zinc	4
10	R80I-QGT-C000	Cylinder Head - See Figure C	1
11	90502-0812-00A0	Pin, Ø8 x 12	4
12	12131-Z800110-0000	Cylinder Head Gasket	1
13	14070-Z800110-00A0	Valve Lifter	2
14	14081-Z800110-00A0	Valve Tappet	2
15	11310-Z800110-00A0	Crankcase Subassembly	1
16	30010-Z350210-00A0	Spark Plug, F6RTC	1
17	18013HZ800110-00A0	Muffler cover	1
18	18001-Z800110-00A0	Exhaust Outlet Gasket	1
19	90303-0600-31A0	Flange Nut, M6, Blue White Zinc	2
20	18100-Z800210-0001	Muffler Assembly	1
21	18250-Z800210-0000	Spark Arrestor	1
22	90740-Z800210-0000	Clamp, Ø26	1
23	18213-Z800210-0000	Cover Plate, Spark Arrestor	1
24	18012-Z800210-0000	Bolt, M5 x 25, Spark Arrestor	1
25	18218-Z800210-0000	Muffling Block	1
26	30700-Z800610-0000	Igniter	1
27	90007-0620-A1A0	Hexagon Flange Bolt, M6 x 20, Blue White Zinc	11
28	13200-Z800110-00A0	Piston Ring Assembly	1
29	13121-Z800120-0000	Piston Pin, Ø11 x Ø37	1

#	Part Number	Description	Qty.
30	13122-Z800120-0000	Piston Pin Clip	2
31	13111-Z800110-00A0	Piston	1
32	13010-Z800110-00A0	Connecting Rod	1
33	90682-Z800110-00A0	Oil Seal, Ø20 x Ø35 x 5	2
34	90547-0204-00	Bearing	2
35	14200-Z800110-00A0	Camshaft Assembly	1
36	13300-Z800110-00A0	Crankshaft Assembly	1
37	11001-Z800110-00A0	Crankcase Gasket	1
38	11411-Z800210-00A0	Crankcase Cover	1
39	15010-Z800131-Q200	Oil Dipstick Subassembly	1
40	90001-0610-01A0	Flange Bolt, M6 x 10, Blue White Zinc	2
41	19352-Y2V0110-Q2A0	Engine Fan	1
42	30110-Y2V0130-0000	Rotor Component	1
43	90306-1200-31A0	Hexagon Flange Nut, M5, Blue White Zinc	1
44	90001-0535-01A0	Hexagon Flange Bolt, M5 x 35, White Zinc	2
45	30120-YHX0110-0000	Stator Component, Ø120 x 21	1
46	90502-0814-00A0	Pin, Ø8 x 14	2
47	30024-Y2V0210-00A0	Shroud, Motor	1
48	90001-0630-01A0	Hexagon Flange Bolt, M6 x 30, Blue White Zinc	5
49	R80I-HYQ-D000	Carburetor-See Figure D	1
50	17110-Z800110-00A0	Inlet Pipe Assembly, Air Cleaner	1
51	90305-0600-31A0	Flange Nut, M6, Black Zinc	2
52	17100-Z800110-00A0	Air Cleaner	1
53	90007-0520-A1A0	Hexagon Flange Bolt, M5 x 20	1
54	17151-Z800110-00A0	Element, Air Cleaner	1
55	13510-Z800110-00A0	Flywheel Subassembly	1
56	13501-Z510110-00A0	Flywheel Nut, M12 x 1.25, Blue White Zinc	1
57	19081-Z800110-00A0	Sealing Strip, Shroud	1
58	28110-Z800110-Q200	Shroud	
59	17199-Y2V0110-00A0	Clip Nut, M5	1

#	Part Number	Description	Qty.
60	90804-Z800210-0000	Stop Block	1
61	12014-Z800110-00A0	Guide plate, Cylinder Head	1
62	28200-Z800110-Q200	Recoil Starter Assembly	1
63	28004-YHX0110-Q200	Guide Plate Assembly, Starter Rope	1
64	28210-YEB0110-R900	Handle, Starter Rope	1
65	90007-0612-A3	Hexagon Flange Bolt 1, M6 x 12, Blue White Zinc	3
66	90007-0612-A1A0	Hexagon Flange Bolt 2, M6 x 12, Blue White Zinc	3
67	37060-Z800210-0000	Engine oil Sensor, W/O Nut	1
68	30400-Z800310-0000	Ignition Coil	1
69	54066-Z800110-00A0	Wiring plate, Engine oil Sensor	1

## CYLINDER HEAD DIAGRAM

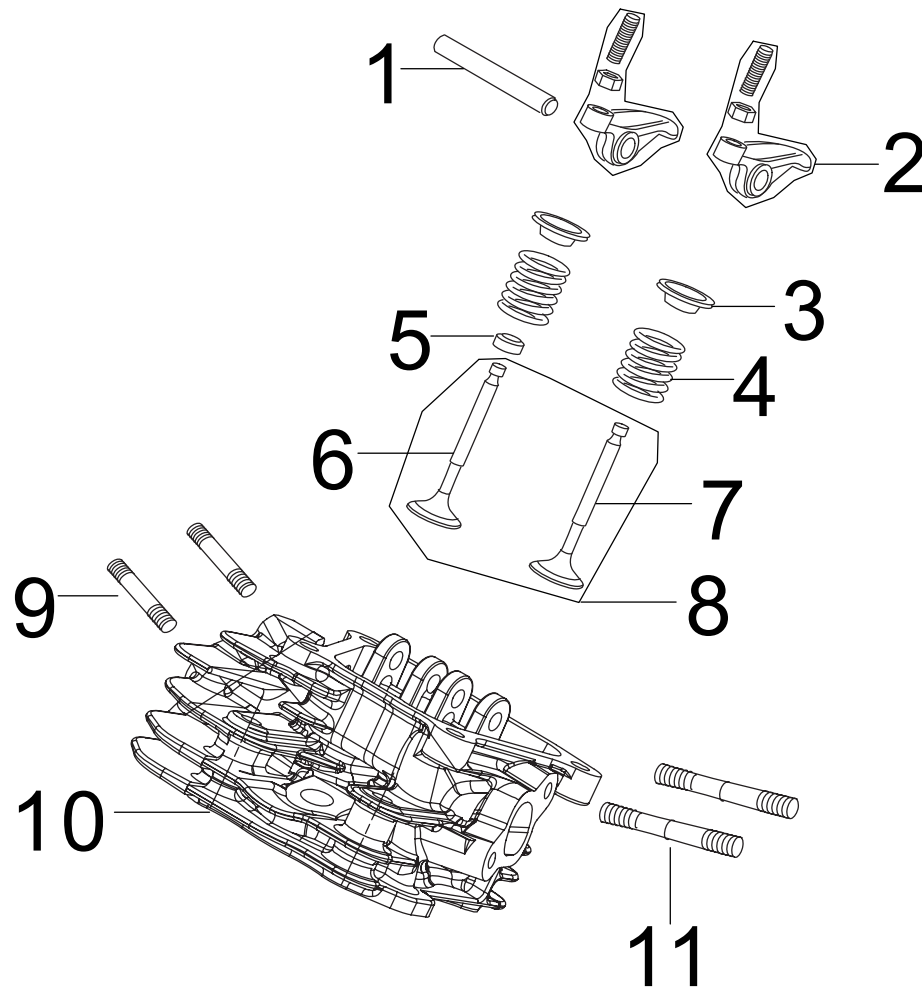


Figure C

**CYLINDER HEAD LIST**

#	Part Number	Description	Qty.
1	14330-Z800110-00A0	Valve Rocker Subassembly	1
2	14310-Z800110-0000	Valve Rocker Subassembly	2
3	12112-Z800110-00A0	Valve Spring Retainer	2
4	12103-Z800110-00A0	Valve Spring	2
5	12101-Z800110-00A0	Seal Guide	1
6	12111-Z800110-0000	Inlet Valve	1
7	12121-Z800110-0000	Exhaust Valve	1
8	12110-Z800110-00A0	Valve Set	1
9	90204-Z800210-00A0	Stud, M6 x 25.5	2
10	12140-Z800210-00A0	Cylinder Head Subassembly	1
11	90204-Z800110-00A0	Stud, M6 x 88, Blue White Zinc	2

## CARBURETOR DIAGRAM

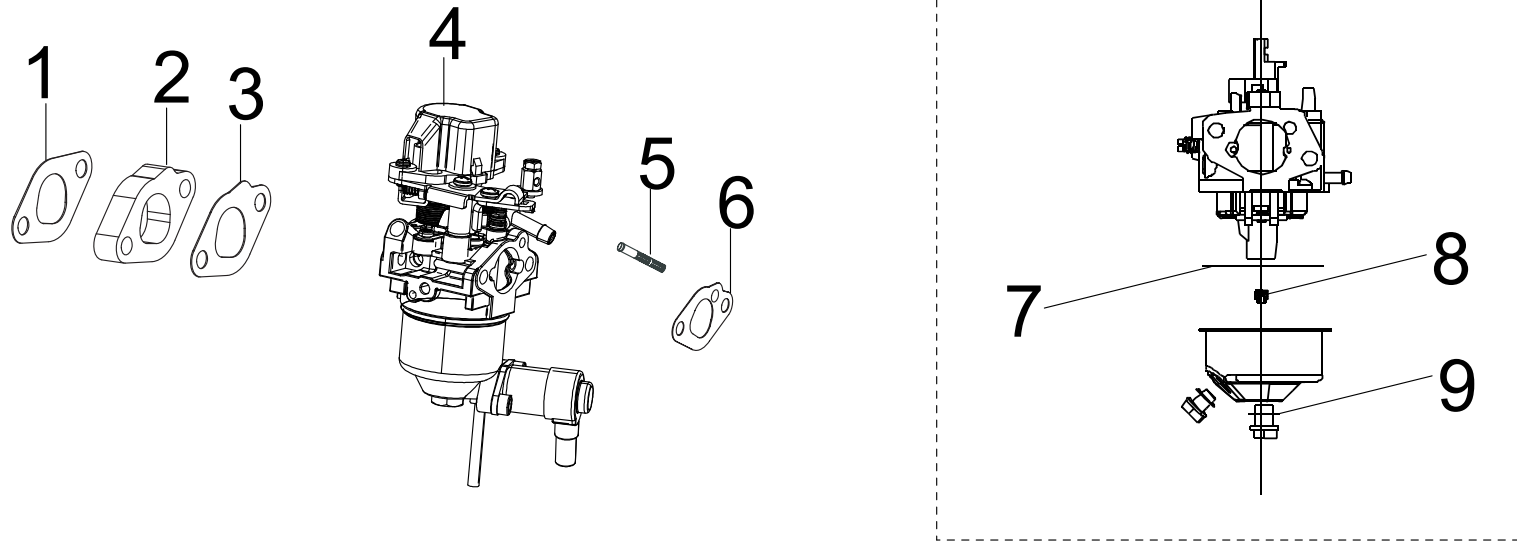


Figure D

**CARBURETOR LIST**

#	Part Number	Description	Qty.
1	16002-Z800110-00A0	Carburetor Insulator Gasket	1
2	16003-Z800110-00A0	Carburetor Insulator Plate	1
3	16001-Z800110-00A0	Carburetor Gasket	1
4	16100-Z801610-00A0	Carburetor Assembly	1
5	16652-Z800110-00A0	Fuel Filter	1
6	17001-Z800110-00A0	Air Cleaner Gasket	1
7	16112-Z800210-00A0	Seal Ring, Float	1
8	16161-Z150810-00A0	Jet, Carburetor, #67	1
	16161-Z150710-00A0	Jet, Carburetor, #66	/
	16161-Z150610-00A0	Jet, Carburetor, #65	/
9	90681-Z800110-00A0	Seal Ring	1

# MOUNTING PLATE ASSEMBLY PART DIAGRAM

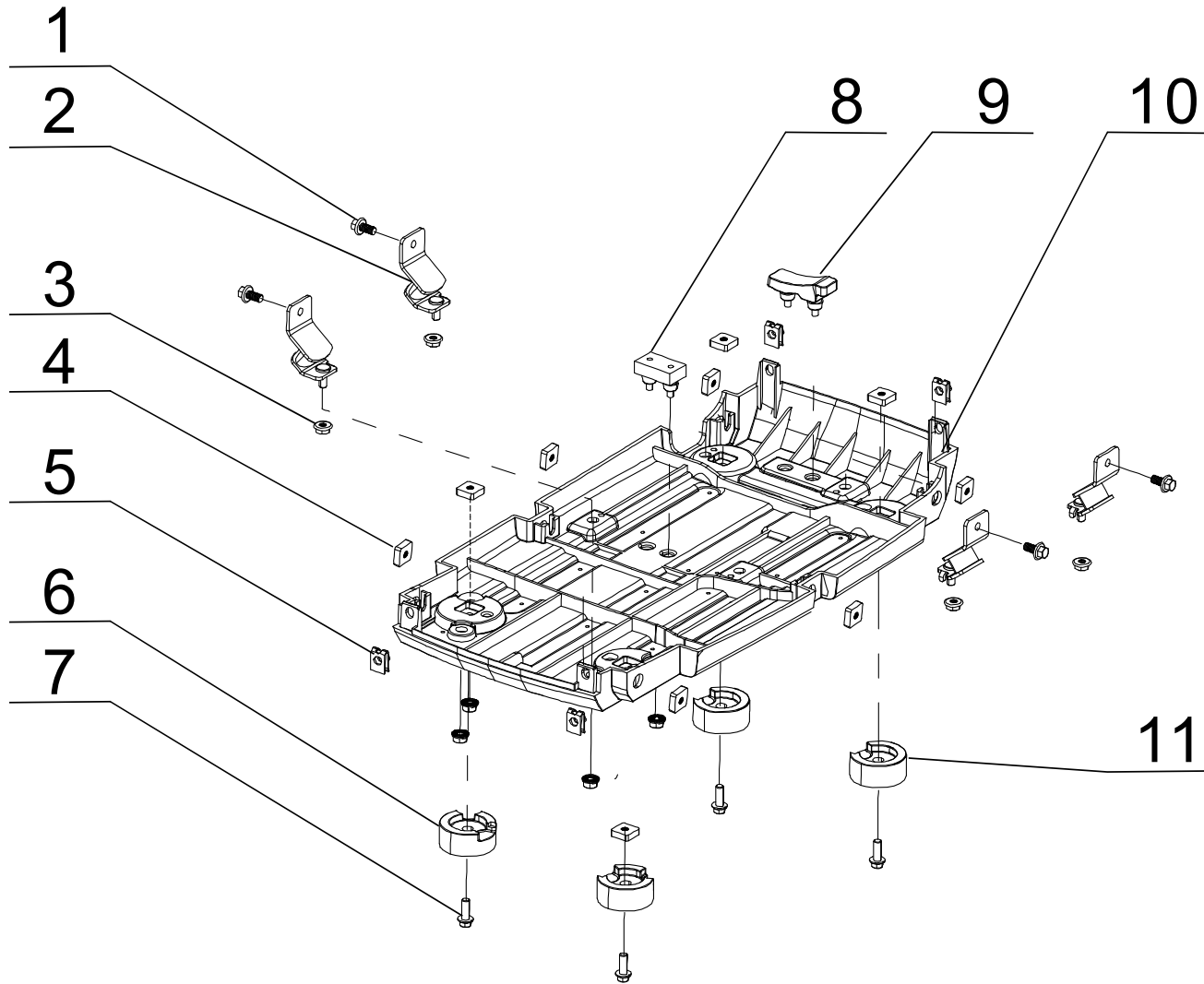


Figure E

**MOUNTING PLATE ASSEMBLY PART LIST**

#	Part Number	Description	Qty.
1	90001-0612-01A0	Hexagon Flange Bolt, M6 x 12, Blue White Zinc	4
2	51005-Y2V0110-0001	Vibration Mount 1, Frame	4
3	90305-0600-31A0	Hexagon Flange Nut, M6, Blue White Zinc	4
4	90326-Y2V0110-00A0	Slmnh, M6, Blue White Zinc	10
5	17199-Y2V0110-00A0	Clip Nut, M5 Blue White Zinc	4
6	51014-Y2V0140-0001	Foot Left, Rubber	2
7	90001-0614-01A0	Hexagon Flange Bolt, M6 x 14, Blue White Zinc	4
8	50035-Y2V0210-0001	Bracket 1, Cushion Rubber	1
9	50035-Y2V0110-0001	Bracket 2, Cushion Rubber	1
10	51143-Y5V0210-Q202	Plate, Bottom	1
11	51014-Y2V0250-0001	Foot Right, Rubber	2

## FUEL TANK PART DIAGRAM

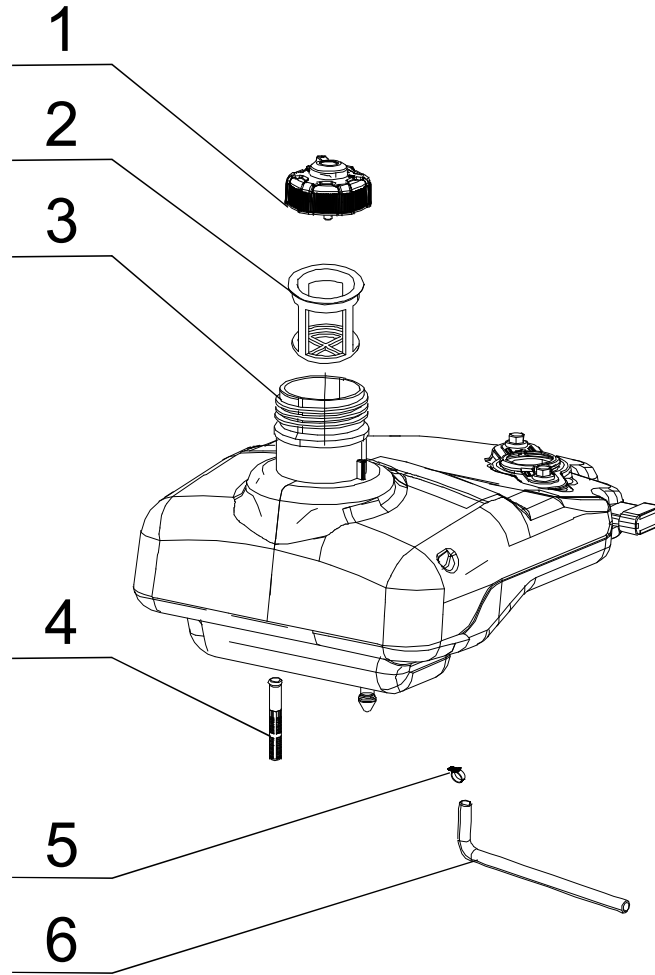


Figure F

**FUEL TANK PART LIST**

#	Part Number	Description	Qty.
1	16730-YHX0110-00A0	Fuel Tank Cap	1
2	16652-Y2V0110-00A1	Fuel Filter	1
3	16620-Y5V0810-Q2A0	Fuel Tank	1
4	16514-Y2V0110-00A0	Filter Element, Fuel Tank	1
5	90685-Z030410-0G00	Clamp, Ø10.7 x 8 x 0.6	1
6	90686-Y2V0410-00M0	Fuel Pipe, Ø4.5×Ø8.5×(90+25)	1

## OUTLET PANEL PART DIAGRAM

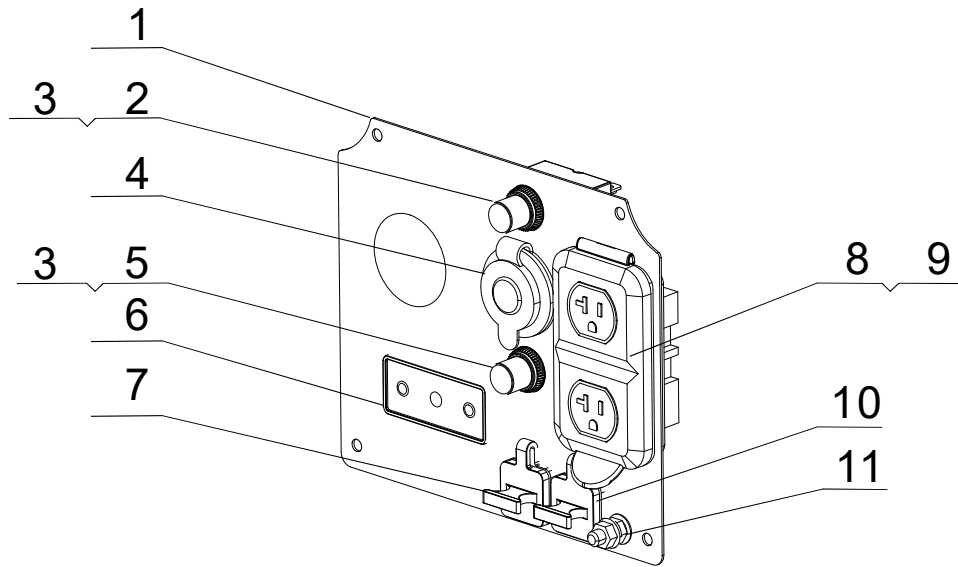


Figure G

**OUTLET PANEL PART LIST**

#	Part Number	Description	Qty.
1	35650-YHX0110-H700	Control Panel	1
2	31234-YBE0110-0000	Circuit Breaker, Push Button, 8A, 125/250V	1
3	35654-YGK0110-0000	Cover, Push Button	2
4	35619-Y110110-0000	Automotive Receptacle, 12V DC	1
5	31234-YBE0310-0000	Circuit Breaker, Push Button, 20A, 125/250V	1
6	35620-YHY0110-0000	Status Display Table	1
7	35614-YH30110-0000	"Wireless Parallel, Red"	1
8	35654-YBE0110-0000	Receptacle Cover, 5-20R	1
9	35614-Y730110-0000	5-20R Duplex, 20A, 125V	1
10	35614-YH30210-0000	Wireless Parallel, Black	1
11	35629-Y090110-0000	Grounding Terminal	1

# WIRING DIAGRAM

