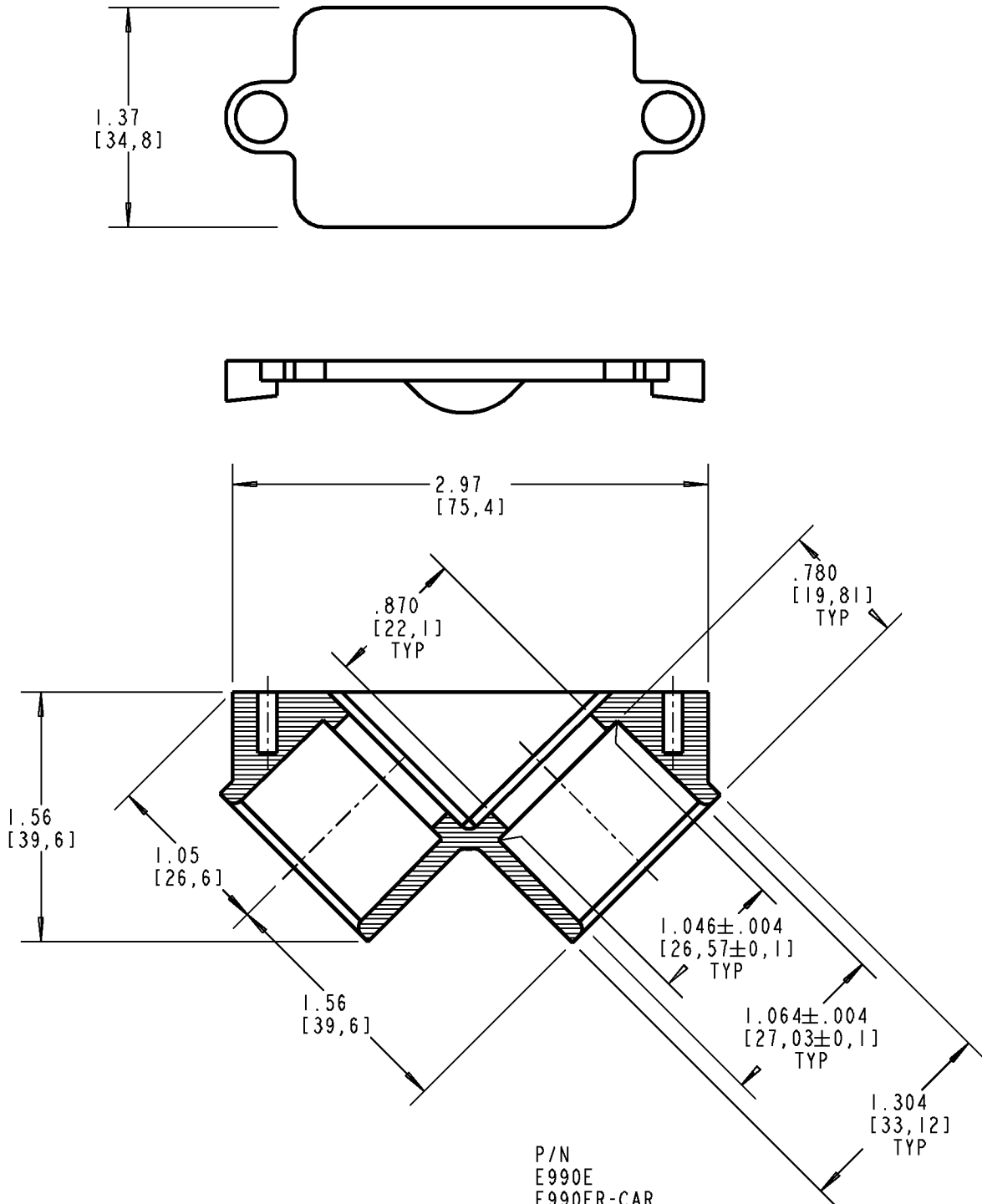


Carlton®



NOTES:

1.) PRODUCT IS SOLD WITH GASKET (NOT SHOWN)

P/N
E990E
E990ER-CAR
E990ERCL
E990ERL

GENERAL NOTES

1. ALL DIMENSIONS ARE FOR REFERENCE ONLY.
2. DIMENSIONS IN BRACKETS [] ARE IN METRIC UNITS.

REVISIONS

*** SEE ERN (****) FOR APPROVAL SIGNATURES & RELEASE DATE.
PROJECT NO: ****

Thomas & Betts
www.tnb.com

DESCRIPTION: **3/4" PULL ELBOW W/COVER**

ORIGINAL PROJECT NO / (ERN NO)
/ ()

SHEET NO:
1 OF 1

REV. NO:
A

DRAWING NO:
WSD-AC05007