

Carlson® Zip Box® Blue™ Switch and Outlet Boxes

Nonmetallic:

Adjustable

One-Gang

2-, 3-, 4-Gang

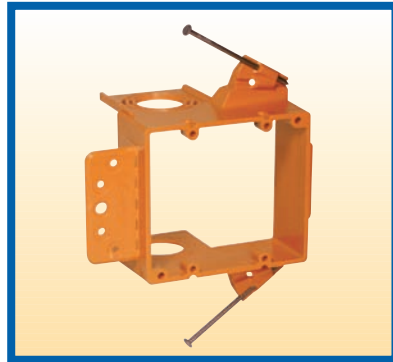
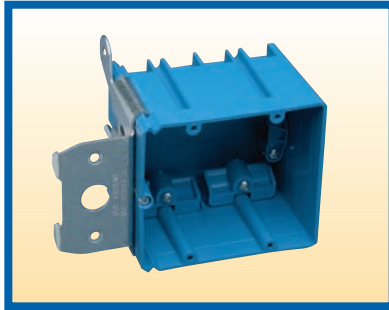
Old Work

Ceiling Boxes

SuperBlue™

Hard Shell

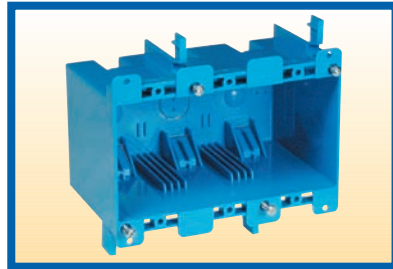
Covers



Metallic:

Adjustable

Ceiling Boxes



Innovative Solutions For Wire and Cable Management.

Table of Contents



Adjust-A-Box® Adjustable Zip Boxes and Brackets - Nonmetallic

High Voltage	2
Low Voltage.....	2



Handy Box and Covers - Nonmetallic

Box	3
Covers	3



Switch/Outlet Boxes - Nonmetallic

One-Gang	4
Two-, Three- and Four-Gang	5
4" Square	5
Low Voltage Backless Bracket	5



Old Work Switch/Outlet Boxes - Nonmetallic

One-, Two-, Three- and Four-Gang.....	6
Round Old Work Box	7
Old Work Backless Brackets:	
One-Gang, Two-Gang, Box Extender	7



Ceiling Boxes - Nonmetallic

3/0	8
3/0-4/0 Combination	8
4/0	8
Ceiling Boxes with Bar Hanger.....	9



SuperBlue™ Hard Shell Switch/Outlet Boxes - Nonmetallic

Wall Boxes:	
One-Gang, Two-Gang	10
Three-Gang, Four-Gang, One-Gang Old Work, Two-Gang Old Work	11
3/0 - 4/0 Combination Ceiling Boxes.....	12
3/0 Round Old Work Ceiling Box.....	13
Low Voltage Divider Plate	13



Switch/Outlet Covers - Nonmetallic

One-Gang, Two-Gang, Round Blank.....	14
--------------------------------------	----



Adjust-A-Box® Adjustable Zip Boxes - Metallic

One-Gang and Two-Gang.....	15
----------------------------	----



Ceiling Fan and Fixture Boxes - Metallic

Ceiling Fan Box.....	16
Ceiling Fan Box with Side Bracket.....	16
Ceiling Fan Hanger	16
New Construction Ceiling Fan Box	16
Remodeling Ceiling Fan Box.....	16

Carlon® Zip Box® Blue™ nonmetallic switch and outlet boxes – the contractor’s choice for easy installation. Carlon has long been the leader with the world’s broadest line of nonmetallic, nonconductive wiring management products designed for easier installation, greater performance, and lower installation cost. And that includes our full line of Zip Box® Blue™ nonmetallic switch and outlet boxes. Designed for use with nonmetallic sheathed cable in accordance with Article 314 of the National Electrical Code®, they make fast work of any residential or light commercial application. Take a closer look, and you’ll see more reasons why they’re the right choice for you.

Compliances

- UL Listed, File No. E42728, for use as indicated in Article 314 of the NEC.
- UL Classified for fire resistance, File No. R8326. Reference UL Electrical Construction Equipment Directory, in product category QBWY or the UL Fire Resistance Directory, for two-hours or less classification period.
- UL Classified for fire resistance Category CEYY, in a two-hour fire resistive wall within the same partition cavity on opposite sides of the wall. Requires the use of mineral wool batt insulation or putty pad when separation is less than 24".
- Refer to International Building Code Section 712.3.2 Exception 2 for other separation options in fire resistive wall assemblies.
- UL Classified Report, File No. R8326, covers use in two-hour or less fire resistive wall and floor-ceiling assembly.

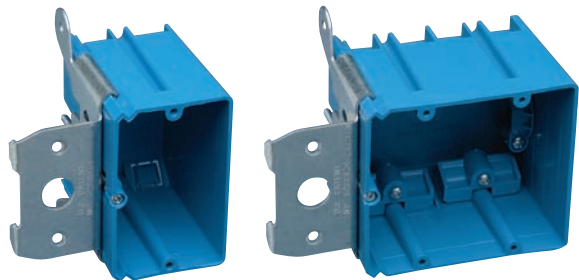
Understanding Zip Box® Blue™ Part Numbers

First Position	Second Position	Third Position <i>and/or</i> Fourth Position	Fourth or Fifth Position <i>and/or</i> Sixth Position	Sixth, Seventh Position
Type	Gang Size	Cubic inch Capacity	Securing Methods	Grounding Features
B = Zip Box BH = SuperBlue MB = Metallic	1 = One-Gang 2 = Two-Gang 3 = Three-Gang 4 = Four-Gang 5,6,7 = Ceiling box	Ex: 34 = 34 cubic inch capacity	A = Nail On ADJ = Adjustable Bracket (0" to 1 3/4" B = 3/8" – 5/8" (9.5mm – 15.9mm) Wallboard Bracket for Wood or Steel Studs H = 14 1/4" – 23 1/2" (362mm – 596.9mm) Adjustable Bar Hanger K = 18 1/4" – 26 3/4" (463.6mm – 679.5mm) Adjustable Bar Hanger L = Metal "L" Bracket for Ceilings P = Standard Nail On Box w/ Grounding Lug R = Old Work Box, includes Integral Clamps S = Screw On	G = Grounding Lug included P = Grounding Lug included

For Example:

B 1 18 A

(**B** = Zip Box Blue, **1** = one-gang, **18** = cubic inch (295 ml) capacity, **A** = Nail On.)



The Carlon Adjust-A-Box® features a patented design that allows the box to be adjusted to most wall thicknesses with the turn of a screw. To install, simply clip the bracket onto the stud, secure with two screws to ensure the box won't move, then turn the adjustment screw clockwise or counterclockwise, and adjust the box flush with the wall covering.

The Adjust-A-Box is available in one- and two-gang versions, and by removing the box from the bracket the one-gang box can easily be upgraded to a two-gang box, an ideal feature for old work applications.

The Carlon Adjust-A-Box achieves professional results every time.

Features

- Patented adjustment screw that adjusts from 0" to 1³/₄"
- Ideal for new work or retrofit applications
- Available in backed box or backless bracket designs
- Upgrades made easy
- Nonmetallic and durable
- UL Listed
- Meets NEMA OS-2



One-Gang and Two-Gang – High Voltage



B121ADJ

Part No.	Volume (cu. in.)	Description	Size	Std. Ctn. Qty.	Std. Ctn. Wt. (lbs.)
B121ADJ	21	One-Gang Adjustable Wall Box	3 7/8"W x 3 3/4"H x 3 3/8"D	24	10
B234ADJC	34	Two-Gang Adjustable Wall Box w/ Range Knockout	5 5/8"W x 3 5/8"H x 3"D	16	8.5
B234ADJ	34	Two-Gang Adjustable Wall Box	5 5/8"W x 3 5/8"H x 3"D	16	8.5

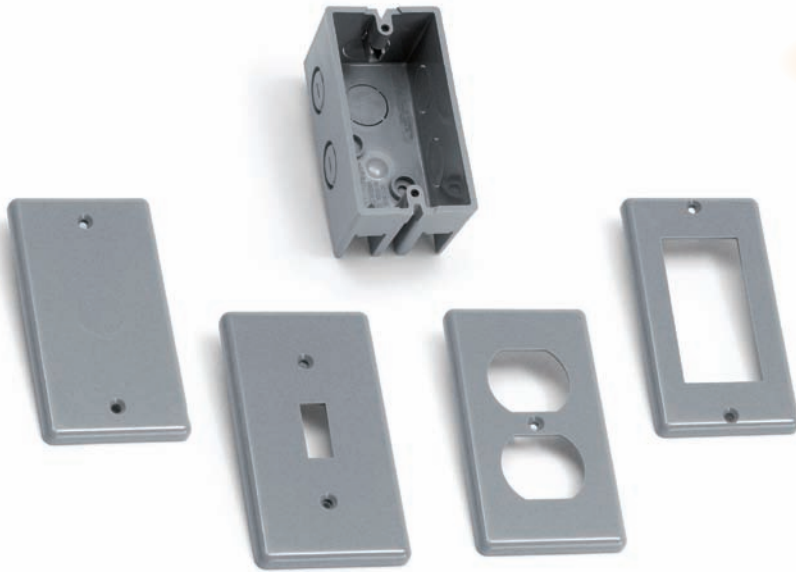


One-Gang and Two-Gang – Low Voltage



SC100ADJC

Part No.	Description	Size	Std. Ctn. Qty.	Std. Ctn. Wt. (lbs.)
SC100ADJC	One-Gang Adjustable Backless Bracket	3 7/8"W x 3 3/4"H	24	7.5
SC200ADJC	Two-Gang Adjustable Backless Bracket	5 5/8"W x 3 5/8"H	20	6.9



Features

- Flexible, can be used for many applications
- Thermoplastic construction that will not rust or conduct electricity
- Built in cable clamps to hold wire firmly in place
- Six knockouts for easier wiring
- Four cover styles – blank, toggle switch, duplex receptacle, and GFCI
- UL Listed (E42728) and two hour fire classified for walls and ceilings

The Carlon Handy Box is a non-metallic switch and outlet box specifically designed for use with nonmetallic conduit systems and nonmetallic sheathed cabling.

Unlike metal boxes, the Carlon Handy Box has two integral cable clamps. These clamps hold nonmetallic cable firmly in place without the need for separate clamps... simply push the wire into the clamp-opening, and the cable is held securely in place. The Carlon Handy Box also comes with six 1/2" knockouts on the sides and back for easier wiring and a variety of mounting options.

The Carlon Handy Box is constructed out of a thermoplastic material, which resists rust and corrosion. The Carlon Handy Box can be used with most wiring devices including ground fault circuit interrupters (GFCI). The Handy Box is designed to accept standard metal covers or the NEW Carlon nonmetallic Handy Box covers.

The Carlon Handy Box covers are made from a durable polycarbonate material for extra strength and durability. They're available in four styles including a duplex receptacle, toggle switch, ground fault circuit interrupter (GFCI), and a blank cover (the blank cover has a molded-in 1/2" knockout in the center). Corrosion resistant stainless screws are provided with each cover.



Box

Part No.	Description	Size	Std. Ctn. Qty.	Std. Ctn. Wt. (lbs.)
B112HB	Handy Box – One-Gang	1 7/8" x 4" x 2 1/8"	50	10.96



Covers

Part No.	Description	Size	Std. Ctn. Qty.	Std. Ctn. Wt. (lbs.)
HB1BL	One-Gang Nonmetallic Cover – Blank	.25" x 4.30" x 2.38"	25	1.0
HB1SW	One-Gang Nonmetallic Cover – Toggle Switch	.25" x 4.30" x 2.38"	25	1.0
HB1DP	One-Gang Nonmetallic Cover – Duplex Receptacle	.25" x 4.30" x 2.38"	25	1.0
HB1GF	One-Gang Nonmetallic Cover – GFCI Cover	.25" x 4.30" x 2.38"	25	1.0



One-Gang Switch/Outlet Boxes - Nonmetallic



Switch/Outlet Boxes

- Meets NEMA OS-2
- UL Listed to UL 514C



B108B-UPC



B118A



B120A-UPC



B118B-UPC



B122A-UPC

One-Gang

Part No.	Volume (cu. in.)	Description	Size	Integral Clamps	Std. Ctn. Qty.	Std. Ctn. Wt. (lbs.)
B108B-UPC	8	One-Gang Bracketed Shallow Box	1 1/4"D x 2 3/8"W x 3 5/8"L	–	25	3
•B118A	18	One-Gang with captive nails	2 7/8"D x 2 1/4"W x 3 3/4"L	4 (2 each end)	100	22
•B120A-UPC	20	One-Gang with captive nails	3 1/4"D x 2 1/4"W x 3 7/8"L	4 (2 each end)	100	24
•B118B-UPC	18	One-Gang with bracket for 3/8" to 5/8" wallboard – steel & wood stud mounting	2 15/16"D x 2 1/4"W x 3 3/4"L	4 (2 each end)	50	10
•B122A-UPC	22	One-Gang with captive nails	3 1/2"D x 2 1/4"W x 3 3/4"L	4 (2 each end)	100	25

- Suitable for masonry walls

Low Voltage Backless Bracket



Open-backed to easily accommodate the bend radiuses required for low voltage cabling and deep devices such as volume controls, and is designed to fit a standard one-gang faceplate. It also features an easy nail-on mounting or screw-in bracket, while the hard shell provides increased durability and no racking. Resi-Rings accept 3/4", 1", and 1 1/4" Resi-Gard.



Part No.	Vol. cu. in.	Description	Size	Knockouts	Std. Ctn. Qty.	Std. Ctn. Wt. (lbs.)
SC100A	–	One-Gang Backless Bracket	2.32" W x 3.73" L	–	24	7.5

Low Voltage Add-On Bracket



This low voltage bracket provides a low voltage outlet next to a previously installed high voltage outlet. Great for both new construction and rework, it attaches easily to most electrical boxes, and is designed to fit a standard two-gang faceplate. Resi-Rings accept 3/4" Resi-Gard only

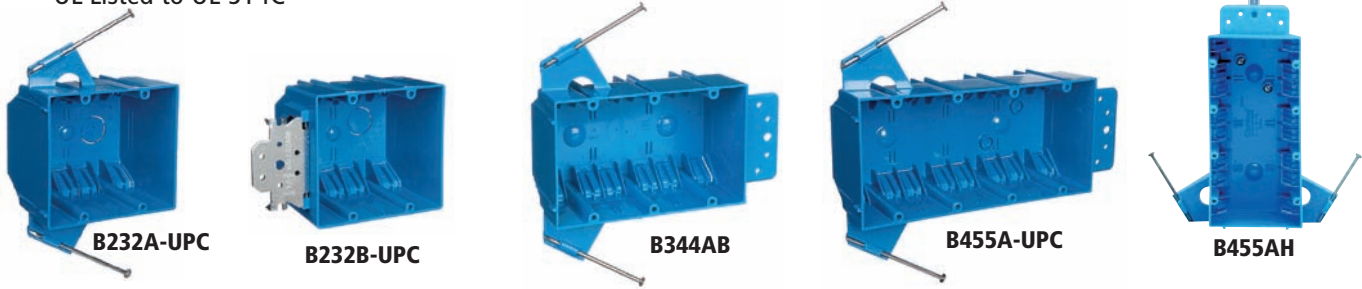


Part No.	Vol. cu. in.	Description	Size	Knockouts	Std. Ctn. Qty.	Std. Ctn. Wt. (lbs.)
SC100SC	–	One-Gang Add-On Bracket	1.80" W x 3.68" L	–	24	2.3

2-, 3-, 4-Gang and 4" Square Switch/Outlet Boxes - Nonmetallic

Switch/Outlet Boxes

- Meets NEMA OS-2
- UL Listed to UL 514C



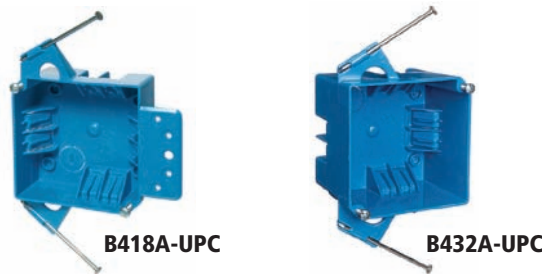
Two-Gang

Three-Gang

Four-Gang

Part No.	Volume (cu. in.)	Description	Size	Integral Clamps	Std. Ctn. Qty.	Std. Ctn. Wt. (lbs.)
•B232A-UPC	32	Two-Gang with captive nails	3"D x 4"W x 3 3/4"L	8 (4 each side)	50	16
B232B-UPC	32	Two-Gang with bracket for 3/8" to 5/8" wallboard – steel or wood stud mounting	3"D x 4"W x 3 3/4"L	8 (4 each side)	50	20
•B344AB	44	Three-Gang with captive nails and bracket support	2 11/16"D x 3 3/4"W x 5 5/8"L	12 (6 each side)	30	14
•B455A-UPC	55	Four-Gang with captive nails and bracket support	2 1/2"D x 3 7/10"W x 7 3/5"L	16 (8 each side)	25	14
•B455AH	55	Four-Gang with captive nails, bracket support, and Hanger Bar	2 1/2"D x 3 7/10"W x 7 3/5"L	16 (8 each side)	25	18

- Suitable for masonry walls

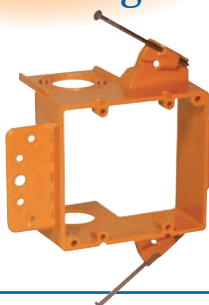


4" Square

Part No.	Volume (cu. in.)	Description	Size	Integral Clamps	Std. Ctn. Qty.	Std. Ctn. Wt. (lbs.)
•B418A-UPC	18	Four Square with captive nails	1 5/8"D x 4"W x 4"L	10 (3 top, 3 bottom, 2 each side)	75	19
•B432A-UPC	32	Four Square with captive nails	2 5/8"D x 4"W x 4"L	10 (3 top, 3 bottom, 2 each side)	50	16
•B432AR-UPC	32	Four Square with captive nails	2 5/8"D x 4"W x 4"L	10 (3 top, 3 bottom, 2 each side)	8	3

- Suitable for masonry walls

Low Voltage Backless Bracket



Open-backed to easily accommodate the bend radiuses required for low voltage cabling and deep devices such as volume controls, and is designed to fit a standard two-gang faceplate. It also features an easy nail-on mounting or screw-in bracket, while more hard shell provides increased durability and no racking. Accepts 3/4" Resi-Gard only.



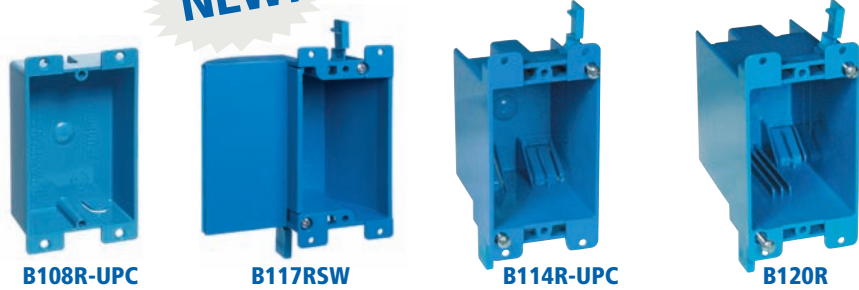
Part No.	Volume (cu. in.)	Description	Size	Knockouts	Std. Ctn. Qty.	Std. Ctn. Wt. (lbs.)
SC200A	–	Two Gang Backless Bracket	5.35"W x 3.81"L	–	24	7.7

Old Work Switch/Outlet Boxes - Nonmetallic

Old Work Boxes

- Meets NEMA OS-2
- UL Listed to UL 514C

NEW!



UL
LISTED
E42728

One-Gang

Part No.	Volume (cu. in.)	Description	Size	Integral Clamps	Std. Ctn. Qty.	Std. Ctn. Wt. (lbs.)
†B108R-UPC	8	One-Gang Shallow Box w/ mounting ears	1 1/4" D x 2 3/8" W x 3 5/8" L	—	25	3
•†B114R-UPC	14	One-Gang Box w/ mounting ears and swing clamps	2 3/4" D x 2 1/4" W x 4 1/8" L	4 (2 each end)	50	10
•†B114RR-UPC	14	One-Gang Box w/ mounting ears and swing clamps	2 3/4" D x 2 1/4" W x 4 1/8" L	4 (2 each end)	25	5
•†B117RSW	17	One-Gang Shallow Box w/ access panel, mounting ears and swing clamps	2.00" D x 4.07" W x 3.64" L (2.20" opening)	2	30	7.6
•†B120R	20	One-Gang Box w/ mounting ears and swing bracket	3 5/8" D x 2 5/16" W x 4 1/8" L	4 (2 each end)	50	12

- Suitable for masonry walls
- † Not UL Classified for Fire Resistance

UL
LISTED
E42728

Two-Gang

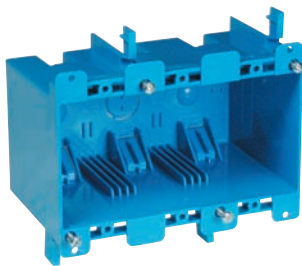


Part No.	Volume (cu. in.)	Description	Size	Integral Clamps	Std. Ctn. Qty.	Std. Ctn. Wt. (lbs.)
•†B225R-UPC	25	Two-Gang Box w/ mounting ears and 2 swing clamps	2 3/4" D x 3 1/8" W x 3 15/16" L	6 (3 each side)	30	8

- Suitable for masonry walls
- † Not UL Classified for Fire Resistance

UL
LISTED
E42728

Three-Gang

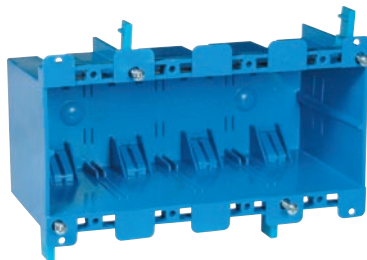


Part No.	Volume (cu. in.)	Description	Size	Integral Clamps	Std. Ctn. Qty.	Std. Ctn. Wt. (lbs.)
•†B355R	55	Three-Gang Box w/ mounting ears and 2 swing clamps	3.69" D x 2.79" W x 5.72" L	6	6	3

- Suitable for masonry walls
- † Not UL Classified for Fire Resistance

UL
LISTED
E42728

Four-Gang



Part No.	Volume (cu. in.)	Description	Size	Integral Clamps	Std. Ctn. Qty.	Std. Ctn. Wt. (lbs.)
•†B468R	68	Four-Gang Case w/ mounting ears and 2 swing clamps	3.56" D x 2.89" W x 7.57" L	8	6	4.03

- Suitable for masonry walls
- † Not UL Classified for Fire Resistance

Old Work Switch/Outlet Boxes - Nonmetallic



Round Old Work Box

Part No.	Volume (cu. in.)	Description	Size	Integral Clamps	Std. Ctn. Qty.	Std. Ctn. Wt. (lbs.)
†B618R-UPC	18	Round Old Work Box w/ swing clamps	4 1/4" Dia.	4	100	24
†B618RP-UPC	18	Round Old Work Box w/ swing clamps and Ground Lug	4 1/4" Dia.	4	100	26

† Not UL Classified for Fire Resistance or used for Fixture Support in the Ceiling.

Old Work Backless Brackets



One-Gang

Part No.	Volume (cu. in.)	Description	Size	Std. Ctn. Qty.	Std. Ctn. Wt. (lbs.)
†SC100RR	N/A	One-Gang Backless Old Work Bracket w/ swing clamps	2 1/4" x 3 1/4"	12	1.4

† Not UL Classified for Fire Resistance



Two-Gang

Part No.	Volume (cu. in.)	Description	Size	Std. Ctn. Qty.	Std. Ctn. Wt. (lbs.)
†SC200RR	N/A	Two-Gang Backless Old Work Bracket w/ swing clamps	3.92" x 4.00"	6	.9

† Not UL Classified for Fire Resistance



Box Extender

Part No.	Volume (cu. in.)	Description	Size	Std. Ctn. Qty.	Std. Ctn. Wt. (lbs.)
B1EXTB	N/A	One-Gang Box Extender	2 1/4" x 3 1/4"	25	3

Ceiling Boxes - Nonmetallic

Ceiling Boxes

All ceiling boxes are produced from a high heat-resistant material developed specifically for fixture support applications.

- Meets NEMA OS-2
- UL Listed to UL 514C



B518P-UPC



3/0

Part No.	Volume (cu. in.)	Description	Diameter	Depth	Integral Clamps	Std. Ctn. Qty.	Std. Ctn. Wt. (lbs.)
• B518A-UPC	18	Ceiling Box with captive nails	3"	2 3/4"	4	75	19
• B518P-UPC	18	Ceiling Box with captive nails Ground lug and screw attached	3"	2 3/4"	4	75	20

- Listed for fixture support up to 50 lbs.



B520A-UPC



B520P-UPC



B620L-UPC



B720-SHK

35 lbs. maximum fan weight



3/0 - 4/0 Combination

Part No.	Volume (cu. in.)	Description	Diameter	Depth	Integral Clamps	Std. Ctn. Qty.	Std. Ctn. Wt. (lbs.)
• B520A-UPC	20	Ceiling Box with captive nails Fixture spacing for 2 3/4" and 3"	4"	2 1/4"	6	75	18
• B520P-UPC	20	Ceiling Box with captive nails Ground lug and screw attached Fixture spacing for 2 3/4" and 3 1/2"	4"	2 1/4"	6	75	18
• B620L-UPC	20	Ceiling Box with metal L bracket Fixture spacing for 2 3/4" and 3 1/2"	4"	2 1/4"	6	100	31
• B720-SHK	20	Ceiling Box Outlet Box with mounting screws	4"	2 1/4"	6	18	5

- Listed for fixture support up to 50 lbs.



35 lbs. maximum fan weight

4/0

Part No.	Volume (cu. in.)	Description	Diameter	Depth	Integral Clamps	Std. Ctn. Qty.	Std. Ctn. Wt. (lbs.)
• B708-SHK	8	Shallow Ceiling Fan Outlet Box with mounting screws	4"	5/8"	1	18	3

- Listed for fixture support up to 50 lbs.

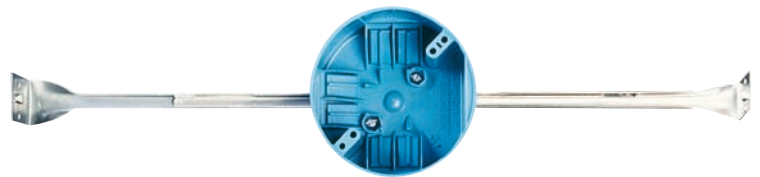


Ceiling Boxes with Bar Hanger

- Meets NEMA OS-2



B620H-UPC



B620K



B620HG-UPC



B620KG-UPC

3/0 - 4/0 Combination

Part No.	Volume (cu. in.)	Description	Diameter	Size	Integral Clamps	Std. Ctn. Qty.	Std. Ctn. Wt. (lbs.)
• B620H-UPC	20	Ceiling Box with 14 ¹ / ₄ " - 23 ¹ / ₂ " adjustable bar hanger Fixture spacing for 2 ³ / ₄ " and 3 ¹ / ₂ "	4"	2 1/4"	6	75	43
• B620K	20	Ceiling Box with 18 ¹ / ₄ " - 26 ³ / ₄ " adjustable bar hanger Fixture spacing for 2 ³ / ₄ " and 3 ¹ / ₂ "	4"	2 1/4"	6	75	46
• B620HG-UPC	20	Ceiling Box with 14 ¹ / ₄ " - 23 ¹ / ₂ " adjustable bar hanger Ground lug and screw attached Fixture spacing for 2 ³ / ₄ " and 3 ¹ / ₂ "	4"	2 1/4"	6	75	44
• B620KG-UPC	20	Ceiling Box with 18 ¹ / ₄ " - 26 ³ / ₄ " adjustable bar hanger Ground lug and screw attached Fixture spacing for 2 ³ / ₄ " and 3 ¹ / ₂ "	4"	2 1/4"	6	75	46
• B620DC	20	Ceiling Box with 24" T-Grid bar hanger Fixture spacing for 2 ³ / ₄ " and 3 ¹ / ₂ "	4"	2 1/4"	6	16	10

- Listed for fixture support up to 50 lbs.

SuperBlue™ Hard Shell Switch/Outlet Boxes - Nonmetallic



The Carlon® SuperBlue™ Hard Shell Boxes combine the features of the hard shell thermoset box and the thermoplastic PVC style box to create a “new” rigid nonmetallic wiring box. Molded out of specially formulated thermoplastic material, Carlon SuperBlue boxes are so strong they won’t crack or break, even in extreme environments. So rigid, they resist flexing and hold their shape even under the worst conditions.

Features

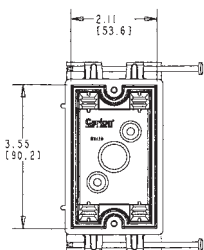
- Largest wirefill capacity in their class
- Won’t crack or break in extreme environments
- Resist flexing
- Hold their shape
- Molded-in flanges and clamps
- Faster installation
- Lightweight
- Noncorrosive and nonconductive
- Nest inside one another
- UL Listed to UL 514C
- UL Classified for two hour or less fire wall assemblies
- Meets NEMA OS-2

They provide the largest wirefill capacity in their class, and come with molded-in nailing flanges as well as molded-in clamps to make installation faster. Carlon SuperBlue boxes are lightweight, noncorrosive and nonconductive. They are designed to nest inside one another so they take up less shelf space and are easier to transport to job sites.

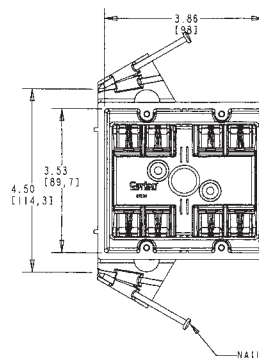
Wall Boxes



One-Gang



Two-Gang



Part No.	Description	Capacity	Depth	Std. Ctn. Qty.	Std. Ctn. Wt. (lbs.)
BH122A	One-Gang with nails	22 cu. in.	3.63	100	31.3
BH122S	One-Gang with screws	22 cu. in.	3.63	100	31.3

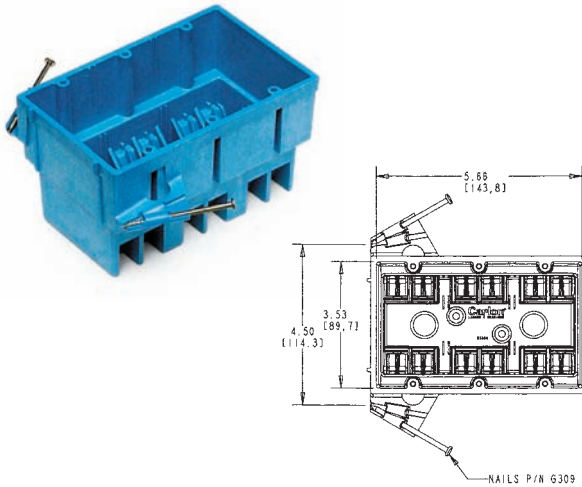
Part No.	Description	Capacity	Depth	Std. Ctn. Qty.	Std. Ctn. Wt. (lbs.)
BH235A	Two-Gang with nails	35 cu. in.	3.50	48	21.3
BH235S	Two-Gang with screws	35 cu. in.	3.50	48	21.3

SuperBlue™ Hard Shell Switch/Outlet Boxes - Nonmetallic

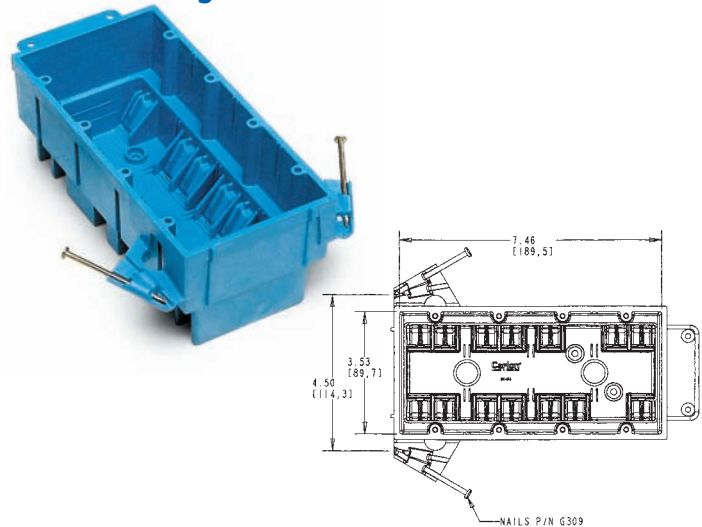
Wall Boxes



Three-Gang



Four-Gang

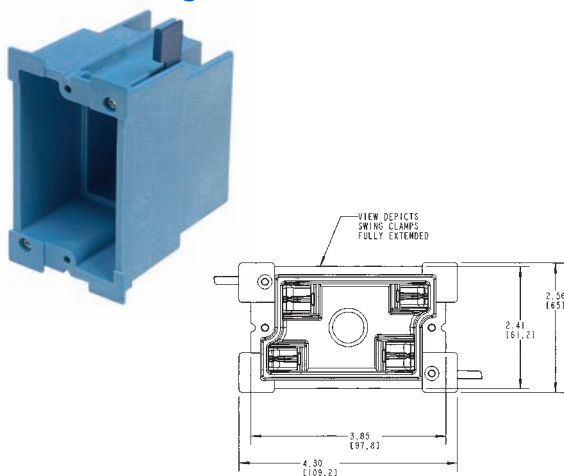


Part No.	Description	Capacity	Depth	Std. Ctn. Qty.	Std. Ctn. Wt. (lbs.)
BH353A	Three-Gang with nails	53 cu. in.	3.50	24	14.0
BH353S	Three-Gang with screws	53 cu. in.	3.50	24	14.0

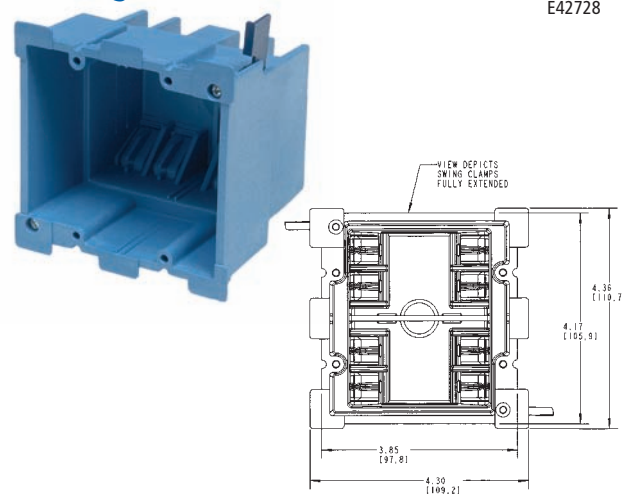
Part No.	Description	Capacity	Depth	Std. Ctn. Qty.	Std. Ctn. Wt. (lbs.)
BH464A	Four-Gang with nails	64 cu. in.	3.18	24	17.4
BH464S	Four-Gang with screws	64 cu. in.	3.18	24	17.4

Old Work Boxes

One-Gang Old Work



Two-Gang Old Work



Part No.	Description	Capacity	Depth	Std. Ctn. Qty.	Std. Ctn. Wt. (lbs.)
†BH118R	One-Gang Old Work w/ mounting ears & swing clamps	18 cu. in.	3.64	36	10.9

† Not UL Classified for Fire Resistance

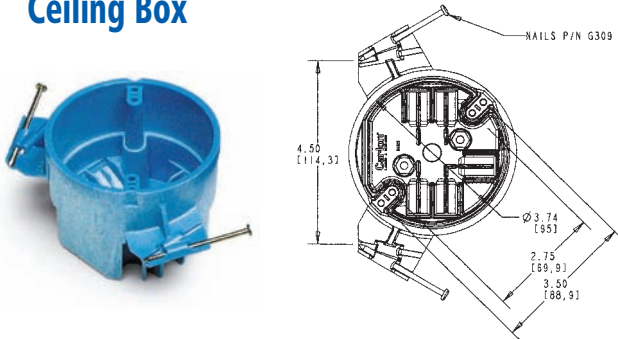
Part No.	Description	Capacity	Depth	Std. Ctn. Qty.	Std. Ctn. Wt. (lbs.)
†BH234R	Two-Gang Old Work w/ mounting ears & swing clamps	34 cu. in.	3.59	18	7.71

† Not UL Classified for Fire Resistance

3/0 - 4/0 Combination Ceiling Boxes



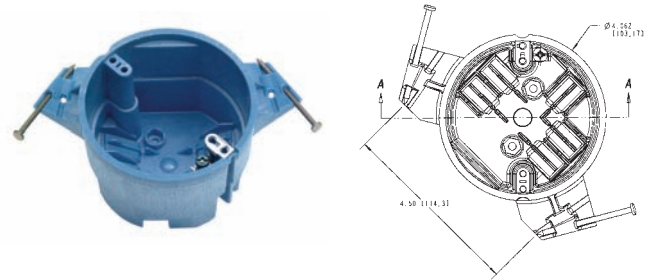
Ceiling Box



Part No.	Description	Capacity	Depth	Std. Ctn. Qty.	Std. Ctn. Wt. (lbs.)
•BH525A	Ceiling Box with nails	25 cu. in.	3.00	48	16.3
•BH525S	Ceiling Box with Screws	25 cu. in.	3.00	48	16.3

• Listed for fixture support up to 50 lbs.

Ceiling Box with Grounding Lug

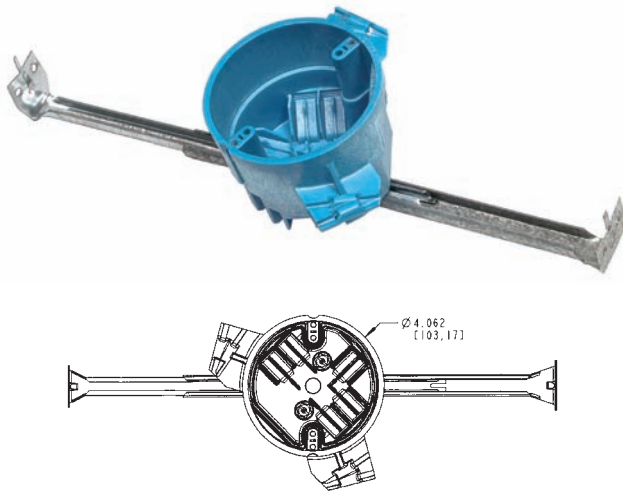


Part No.	Description	Capacity	Depth	Std. Ctn. Qty.	Std. Ctn. Wt. (lbs.)
•BH525P	Ceiling Box with nails and Grounding Lug	25 cu. in.	3.00	24	9.4
•BH525SP	Ceiling Box w/Grounding Lug with Screws	25 cu. in.	3.00	24	9.4

• Listed for fixture support up to 50 lbs.

Ceiling Box with Hanger Bar

*Hanger Bar adjusts from 11 1/2" to 18 1/2"

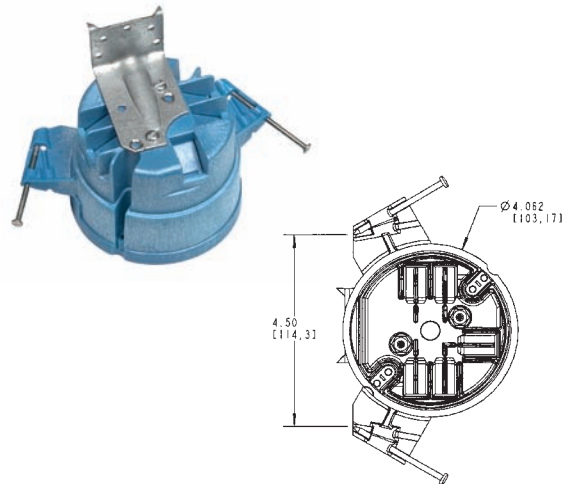


Part No.	Description	Capacity	Depth	Std. Ctn. Qty.	Std. Ctn. Wt. (lbs.)
•BH525H	Ceiling Box w/Hanger Bar	25 cu. in.	2.95	20	13.2
•BH525HP	Ceiling Box w/Hanger Bar w/Grounding Lug	25 cu. in.	2.95	20	13.2

• Listed for fixture support up to 50 lbs.

Ceiling Fan Box

Listed for fan support up to 35 lbs.



Part No.	Description	Capacity	Depth	Std. Ctn. Qty.	Std. Ctn. Wt. (lbs.)
•BH525L	Ceiling Fan Box with Nails	25 cu. in.	3.06	24	12.2
•BH525LP	Ceiling Fan Box w/Grounding Lug with Nails	25 cu. in.	3.06	24	12.2

• Listed for fan support up to 35 lbs. and fixture support up to 50 lbs.



Ceiling Box

NEW!



3 1/2" Round Old/New Work Box

Part No.	Description	Mounting	Integral clamps	Capacity	Std. Ctn. Qty.	Std. Ctn. Wt. (lbs.)
•BH614R	3 1/2" Round Old/New Work Box	Base, ears & snap-in bracket	2	14.5 cu. in.	24	8.2
•BH614RP	Four-Gang with Screws w/Ground Lug	Base, ears & snap-in bracket	2	14.5 cu. in.	24	8.4

- Listed for fixture or product support up to 10 lbs.
- Tighten screws to 10 in.-lbs.

Features

- New snap-in bracket design
- Box is made of rigid polycarbonate
- Device & fixture mounting
- Use a 3" hole saw for a simple installation
- Breakaway flange for small fixtures
- Fixture rating up to 10 lbs.

Low Voltage Divider Plate



Carlson SuperBlue boxes are easily divided into both high and low voltage use. Just insert the Low Voltage Divider Plate, and you're ready to go!

The National Electrical Code allows electrical conductors to share an outlet box when the conductors and signaling or communication cables are separated by a barrier within the box.

Features

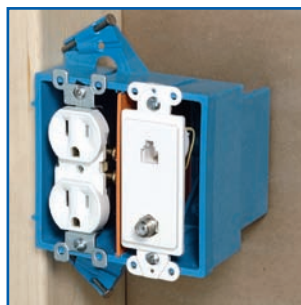
- Transforms a high voltage box into an accepted high and low voltage box
- Orange color signifies low voltage installations
- Designed to be used with Carlson's 2-, 3-, and 4- gang SuperBlue Boxes
- UL Listed
- Noncorrosive and nonconductive
- Great for situations requiring a high/low voltage fire-classified box



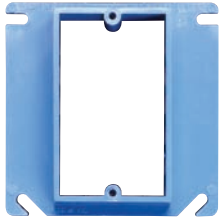
Part No.	Description	Cu. in.	Std. Ctn. Qty.	Std. Ctn. Wt. (lbs.)
SCDIV	Low Voltage Divider Plate	-	50	2.2



Installation

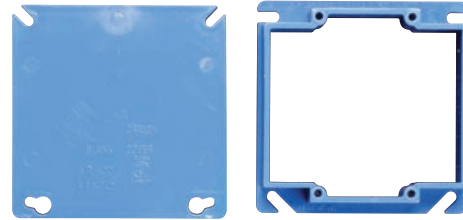


Covers



One-Gang – Covers

Part No.	Rise	Cu. in.	Std. Ctn. Qty.	Std. Ctn. Wt. (lbs.)
A410	1/2"	3.5	100	8.0
A411	5/8"	4.2	50	6.0
A412	3/4"	5.0	50	6.0
A413	1"	6.6	40	5.0
A414	1 1/4"	8.1	30	5.0



Two-Gang – Covers

Part No.	Rise	Cu. in.	Std. Ctn. Qty.	Std. Ctn. Wt. (lbs.)
A400	Blank	–	100	9.0
A420	1/2"	6.1	75	6.0
A421	5/8"	7.4	50	4.2
A422	3/4"	8.8	50	4.8



Round Plaster Ring

Listed for fixture support up to 50 lbs.

Part No.	Rise	Cu. in.	Std. Ctn. Qty.	Std. Ctn. Wt. (lbs.)
A471	1/2"	3.2	100	3.3
A472	5/8"	4.0	100	3.8



Round Blank Cover

Part No.	Rise	Vol. Cu. in.	Std. Ctn. Qty.	Std. Ctn. Wt. (lbs.)
A470D	Blank with 1/2" KO	–	100	4.7
E460R-CAR	Blank	–	35	2.2

Ceiling Box Cover – White

Part No.	Rise	Vol. Cu. in.	Std. Ctn. Qty.	Std. Ctn. Wt. (lbs.)
CPC4WH	White Ceiling Box Cover	–	12	1.3

Adjust-A-Box® Adjustable Zip Boxes - Metallic



NEW!

The **Carlton Metal Adjust-A-Box** is the only electrical box that allows you to change your mind. Its patented design provides simple, goof-proof installation and allows the installer to adjust the box to any thickness with the turn of a screw.

To install, simply clip the included bracket on any stud. The Adjust-A-Box mounts square and secure every time. Securing the bracket to the stud ensures that the box will not move. Then by turning the screw clockwise or counterclockwise, you can adjust the box in or out to make it flush with any wall covering.

The Adjust-A-Box can be easily removed, and it can be upgraded to a 2-gang box. The Carlton Adjust-A-Box makes it possible to achieve professional results every time.



Features

- Patented adjustment screw
- Adjusts to ANY wall thickness
- Mounts square and secure every time
- Removable – allows inner wall access
- Accommodates high and low voltage applications
- Pre-installed ground lug
- Flat bottom cable priouts

Installation



One-Gang



Double Gang



One-Gang



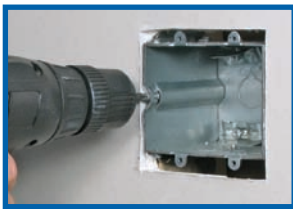
Double Gang

1. Clamps on the stud and snaps into place

2. Mounts square and secure every time

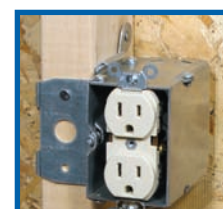


One-Gang



Double Gang

3. Adjusts in or out to any wall thickness



One-Gang



Double Gang

4. Connect receptacle wires to romex. Be sure to match wire color(s).

One-Gang and Two-Gang

Part No.	Volume (cu. in.)	Description	Knockouts	Size	Std. Ctn. Qty.	Std. Ctn. Wt. (lbs.)
MB120ADJ	20	One-Gang Adjustable Wall Box	1/2" (5)	2.20"W x 3.28"H x 3.52"D	18	19.25
MB238ADJ	38	Two-Gang Adjustable Wall Box	1/2" (8)	4.01"W x 3.28"H x 3.52"D	12	17.60

Ceiling Fan and Fixture Boxes - Metallic

Carlton Metallic Ceiling Fan & Fixture Boxes

are designed to provide a safe, secure installation for ceiling fans and light fixtures. They feature a patented design bolt support for fans, and are manufactured out of plated steel to protect against rust and corrosion.

All boxes are UL Rated for fan support up to 70 lbs. and fixture support up to 110 lbs., and each has dual mounting options – #8-32 screws for fixtures and #10-24 bolts for fans – and 3/4" knockouts for design and installation flexibility.

Carlton Metallic Ceiling Boxes are available in six styles for new work and retrofit applications, including drop ceilings: Ceiling Fan Box; Ceiling Fan Box w/ Side Bracket; Ceiling Fan Box – 4" Octagon; Ceiling Fan w/Hanger for Drop Ceiling; Ceiling Fan w/Support Bracket – New Work; and Ceiling Fan w/Support Bracket – Old Work. All come with a FREE Paint Cap.

Features

- Patented Ceiling Boxes utilize unique carriage head bolt support system
- UL Rated: Fans up to 70 lbs. and fixtures up to 110 lbs
- Dual mounting: #8-32 screws for fixtures and #10-24 bolts for fans
- 3/4" knockouts for design and installation flexibility
- Plated steel to protect against rust and corrosion
- Six styles to accommodate most application needs
- Paint caps: Protects wires and identification labels from drywall and/or paint
- Complete Kit: Includes ceiling box, instruction sheet and mounting hardware
- Pre-installed ground screw

NEW!



Six Styles:

Ceiling Fan Box

Ceiling Fan Box w/ Side Bracket

Ceiling Fan Box – 4" Octagon

Ceiling Fan w/Hanger for Drop Ceiling

Ceiling Fan w/Support Bracket – New Work

Ceiling Fan w/Support Bracket – Old Work

Ceiling Fan and Fixture Boxes - Metallic

Specifications



CEILING FAN BOX



Free paint cap included

For Hanging Ceiling Fans & Light Fixtures						
Mounts to Bottom Edge of Joist or 2" x 4" Cross Support						
Part No.	Ratings	Box Volume	Box Depth	Knockouts	Std. Ctn. Qty.	Std. Ctn. Wt. (lbs.)
MB708S	70 lb. Fan 110 lb. Fixture	8.0 cu. in.	5/8 in.	3/4"	10	5.94
Contains: 1 - 8.0 Cu. Inch Pan Box 2 - Locknuts 2 - Wood Screws 1 - NM Cable Connector 2 - Carriage Bolts 1 - Ground Screw						

CEILING FAN BOX WITH SIDE BRACKET



Free paint cap included

For Hanging Ceiling Fans & Light Fixtures						
Mounts to Bottom Edge of Joist or 2" x 4" Cross Support						
Part No.	Ratings	Box Volume	Box Depth	Knockouts	Std. Ctn. Qty.	Std. Ctn. Wt. (lbs.)
MB708L	70 lb. Fan 110 lb. Fixture	8.0 cu. in.	5/8 in.	3/4"	10	7.62
Contains: 1 - 8.0 Cu. Inch Pan Box 2 - Carriage Bolts 1 - Ground Screw 2 - 1 in. Wood Screws 2 - Locknuts 2 - 1-1/4 in. Wood Screws 1 - NM Cable Connector						

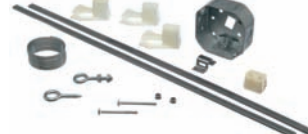
CEILING FAN BOX



Free paint cap included

For Hanging Ceiling Fans & Light Fixtures in New Construction						
...Also, New Homes, Additions to Existing Homes, Remodeled Homes and Businesses						
Part No.	Ratings	Box Volume	Box Depth	Knockouts	Std. Ctn. Qty.	Std. Ctn. Wt. (lbs.)
MB715S	70 lb. Fan 110 lb. Fixture	15.5 cu. in.	1.5 in.	3/4"	8	6.57
Contains: 1 - 1-1/2" Deep Steel Outlet Box 2 - Locknuts 2 - Wood Screws 1 - Cable Clamp 2 - Carriage Bolts 1 - Ground Screw						

CEILING FAN HANGER



Includes Steel Outlet Box

For Hanging Ceiling Fans & Light Fixtures in Drop Ceilings						
For use in 2' x 4' or 2' x 2' Drop Ceilings						
Part No.	Ratings	Box Volume	Box Depth	Knockouts	Std. Ctn. Qty.	Std. Ctn. Wt. (lbs.)
MB715DC	35 lb. Fans 50 lb. Fixtures	15.5 cu. in.	1.5 in.	3/4"	4	11.50
Contains: 1 - Support Bar 1 - 1-1/2" Deep Steel Outlet Box 2 - 10-24 Locknuts 1 - 1/4" Screw Eye 1 - Support Bar w/Flared End 1 - 10'-220lb. Test Safety Wire 2 - 2-1/4" Carriage Bolts 2 - 1/4-20 Serrated Flange Nuts 3 - Celcon™ End Clips 1 - Ground Screw 1 - 1/4-20 Eye Bolt 1 - Omni-Clip™						

NEW CONSTRUCTION CEILING FAN BOX



Free paint cap included

For Hanging Ceiling Fans & Light Fixtures in New Homes or Existing Homes with Crawl Space						
<ul style="list-style-type: none"> Completely assembled – ready for mounting Eliminates need for 2" x 4" cross support Adjustable – extends to fit both 16" and 24" O.C. joists Fewer steps and fewer parts to install – cuts installation time 						
Part No.	Ratings	Box Volume	Box Depth	Knockouts	Std. Ctn. Qty.	Std. Ctn. Wt. (lbs.)
MB715H	16" Beam Centers – 70 lb. fans or 110 lb. fixtures 24" Beam Centers – 70 lb. fans or 90 lb. fixtures	15.5 cu. in.	1.5 in.	3/4"	6	13.28
Contains: 1 - Support Tubing Assembly 2 - 2-1/4" Fan Support Bolts 1 - 1-1/2" Deep Steel Outlet Box 1 - Box Support Assembly 2 - Fan Support Locknuts 1 - Ground Screw 2 - Box Support Locknuts 1 - Cable Clamp 2 - Wood Screws						

REMODELING CEILING FAN BOX



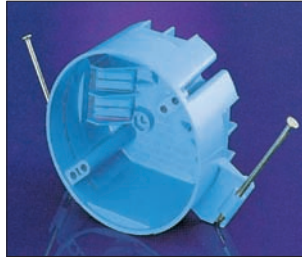
Free paint cap included

For Hanging Ceiling Fans & Light Fixtures in Existing Homes						
<ul style="list-style-type: none"> Install from below the ceiling – no need to go into crawl space Adjustable – extends to fit both 16" and 24" O.C. joists Fewer steps and fewer parts to install – cuts installation time 						
Part No.	Ratings	Box Volume	Box Depth	Knockouts	Std. Ctn. Qty.	Std. Ctn. Wt. (lbs.)
MB715RH	16" Beam Centers – 70 lb. fans or 110 lb. fixtures 24" Beam Centers – 70 lb. fans or 70 lb. fixtures	15.5 cu. in.	1.5 in.	3/4"	6	15.19
Contains: 1 - Support Tubing Assembly 2 - 2-1/4" Fan Support Bolts 2 - Fan Support Bolt Locknuts 1 - 1-1/2" Deep Steel Outlet Box 1 - Box Support Assembly 2 - 1" Fan Support Bolts 1 - Cable Clamp 2 - Box Support Locknuts 1 - Gripper Pad 1 - Ground Screw						

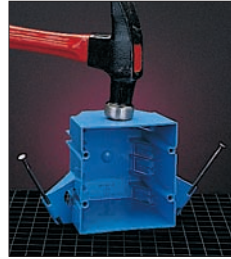
General Information



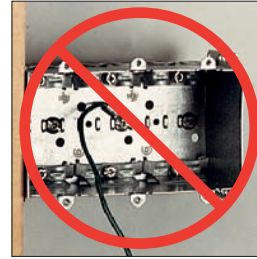
Carlson Trademark
Blue Color



Ceiling boxes with
special engineered high
heat resistant material for
fixture support



High Impact
PVC Wall Boxes



Nonconductive...no
need to ground box



Lightweight



Engraved NEC
Wire Fill



Leveling Guides



Clean Easy Knockout
(One-Gang Only)



Pre-installed Angled Nails



Integral Clamps
(Multi-Gang Boxes)

Special Nail-on and Bracket Boxes



Type B



Type L



Type H



Type K

Integral Clamps Easy to wire, simply...



Align Wire

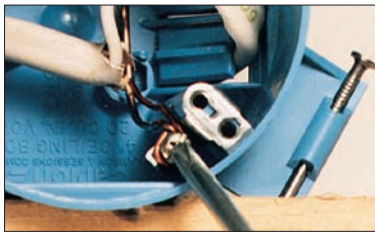


Push Through

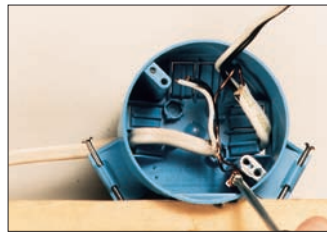


Secure Clamp

Grounding Lugs (No need to ground box itself) Easy to wire...

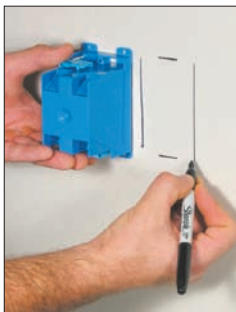


Pre-installed Lugs



Make Grounding Connection

Old Work Boxes Easy to rework, simply...



Trace Box



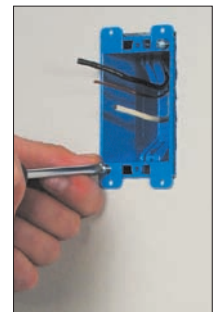
Cut on Lines



Insert Wires



Place Box in Wall



Secure Box in Wall

