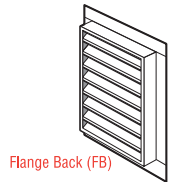
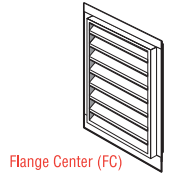
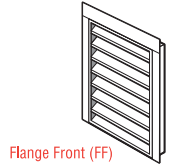
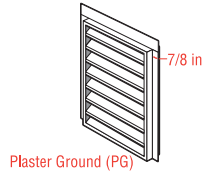
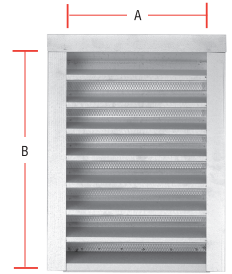


RECTANGULAR GABLE LOUVER 1/4 in. Galvanized mesh; 1/8 in. mesh available upon request.

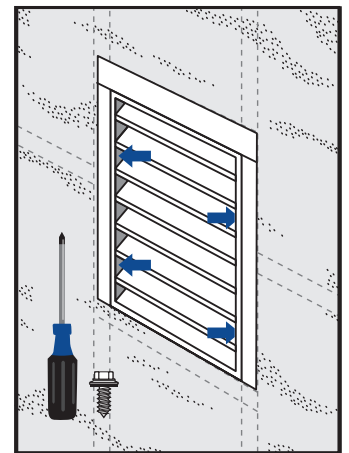
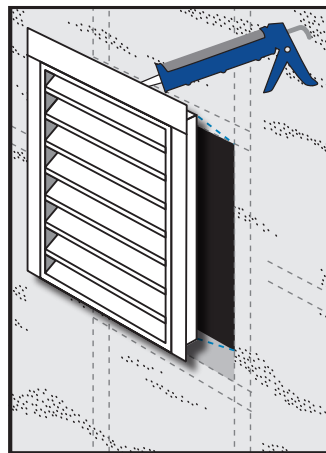
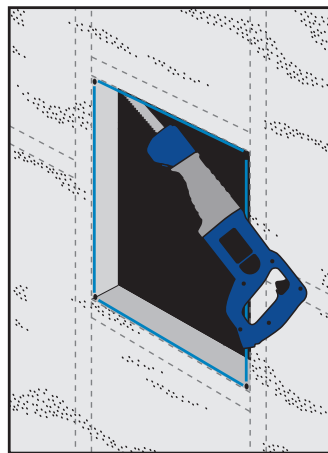
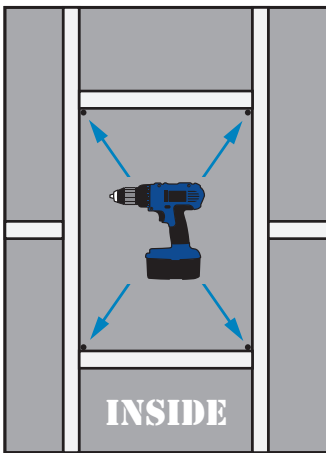
Size: A x B	N.F.V.	Rough Opening	Plaster	Front	Center	Back	Qty.
12 in. x 12 in. - Galvanized	63 Sq. In.	12.25 in. x 12.25 in.	GLPG1212G	GLFF1212G	GLFC1212G	GLFB1212G	10
12 in. x 12 in. - Brown	63 Sq. In.	12.25 in. x 12.25 in.	-	-	GLFC1212BR	-	10
12 in. x 12 in. - White	63 Sq. In.	12.25 in. x 12.25 in.	-	GLFF1212WH	GLFC1212WH	-	10
12 in. x 18 in. - Galvanized	93 Sq. In.	12.25 in. x 18.25 in.	GLPG1218G	GLFF1218G	GLFC1218G	-	10
12 in. x 18 in. - Brown	93 Sq. In.	12.25 in. x 18.25 in.	-	-	GLFC1218BR	-	10
12 in. x 18 in. - White	93 Sq. In.	12.25 in. x 18.25 in.	-	GLFF1218WH	GLFC1218WH	-	10
14 in. x 12 in. - Galvanized	65 Sq. In.	14.25 in. x 12.25 in.	GLPG1412G	GLFF1412G	-	-	10
14 in. x 12 in. - White	65 Sq. In.	14.25 in. x 12.25 in.	-	GLFF1412WH	GLFC1412WH	-	10
14 in. x 18 in. - Bonderized	110 Sq. In.	14.25 in. x 18.25 in.	GLPG1418B	GLFF1418B	-	-	10
14 in. x 18 in. - Galvanized	110 Sq. In.	14.25 in. x 18.25 in.	GLPG1418G	GLFF1418G	GLFC1418G	GLFB1418G	10
14 in. x 18 in. - Brown	110 Sq. In.	14.25 in. x 18.25 in.	-	-	GLFC1418BR	-	10
14 in. x 18 in. - White	110 Sq. In.	14.25 in. x 18.25 in.	-	GLFF1418WH	GLFC1418WH	-	10
14 in. x 24 in. - Bonderized	147 Sq. In.	14.25 in. x 24.25 in.	GLPG1424B	-	-	-	10
14 in. x 24 in. - Galvanized	147 Sq. In.	14.25 in. x 24.25 in.	GLPG1424G	GLFF1424G	GLFC1424G	GLFB1424G	10
14 in. x 24 in. - Brown	147 Sq. In.	14.25 in. x 24.25 in.	-	-	GLFC1424BR	-	10
14 in. x 24 in. - White	147 Sq. In.	14.25 in. x 24.25 in.	-	GLFF1424WH	GLFC1424WH	-	10
18 in. x 24 in. - Galvanized	190 Sq. In.	18.25 in. x 24.25 in.	GLPG1824G	GLFF1824G	-	-	5
18 in. x 24 in. - White	190 Sq. In.	18.25 in. x 24.25 in.	-	GLFF1824WH-5	-	-	5
18 in. x 30 in. - Galvanized	221 Sq. In.	18.25 in. x 30.25 in.	-	-	-	-	2
20 in. x 24 in. - Galvanized	197 Sq. In.	20.25 in. x 24.25 in.	-	-	-	-	2
24 in. x 24 in. - Galvanized	253 Sq. In.	24.25 in. x 24.25 in.	GLPG2424G	GLFF2424G	-	-	5
24 in. x 30 in. - Galvanized	317 Sq. In.	24.25 in. x 30.25 in.	GLPG2430G	GLFF2430G	-	-	5



SHAPED GABLE LOUVER

Size: A x B	N.F.V.	Rough Opening	Plaster	Front	Back	QTY.
Round 18 in. - Galvanized	96 Sq. In.	18.25 in. x 18.25 in.	GLRDPG18G	GLRDF18G	GLRDFB18G	5
Round 24 in. - Galvanized	171 Sq. In.	24.25 in. x 24.25 in.	GLRDPG24G	GLRDF24G	-	2
Half Round 18 in. Galvanized	48 Sq. In.	18.25 in. x 9.25 in.	GL2RPG18G	-	-	2

Flange Front Gable Louver - Installation on existing wall



- 1) Frame opening 1/4" larger than vent body size and drill pilot holes in corners from inside of wall.
- 2) Mark straight lines between pilot holes and cut rough opening from exterior wall
- 3) Apply sealant around inside of flange
- 4) Insert vent into opening and secure with screws (2 ea. side). For a cleaner finish, fasten screw through sides between blades.