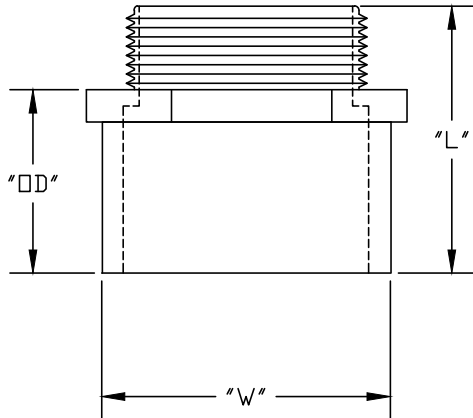
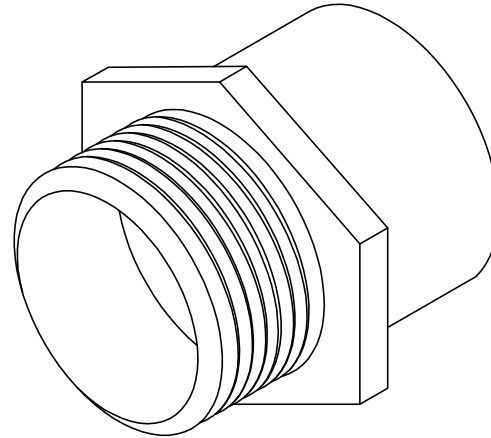


PART NUMBER	TRADE SIZE	"L"	"W"	"OD"
5140105	1	2 $\frac{3}{16}$ "	1 $\frac{5}{8}$ "	1 $\frac{1}{2}$ "
5140106	1 1/4	2 $\frac{1}{8}$ "	2"	1 $\frac{5}{16}$ "
5140107	1 1/2	2 $\frac{1}{16}$ "	2"	1 $\frac{5}{16}$ "



UL Listed UL651  
 UL File # E81590  
 UL Category Code DWTT  
 UL Control Number 93G7  
 Meets NEMA TC3 Requirements  
 CSA Certified  
 See NEC Article 352 for use  
 Material is Rigid PVC



**CANTEX**  
 INC.  
 Fort Worth, TEXAS

Terminal Adapters 1" Thru 1-1/2"  
 Schedule 40 & 80 Fittings

Drawn By: D. Gwinn

Date:12/19/18

Ref. 5140105