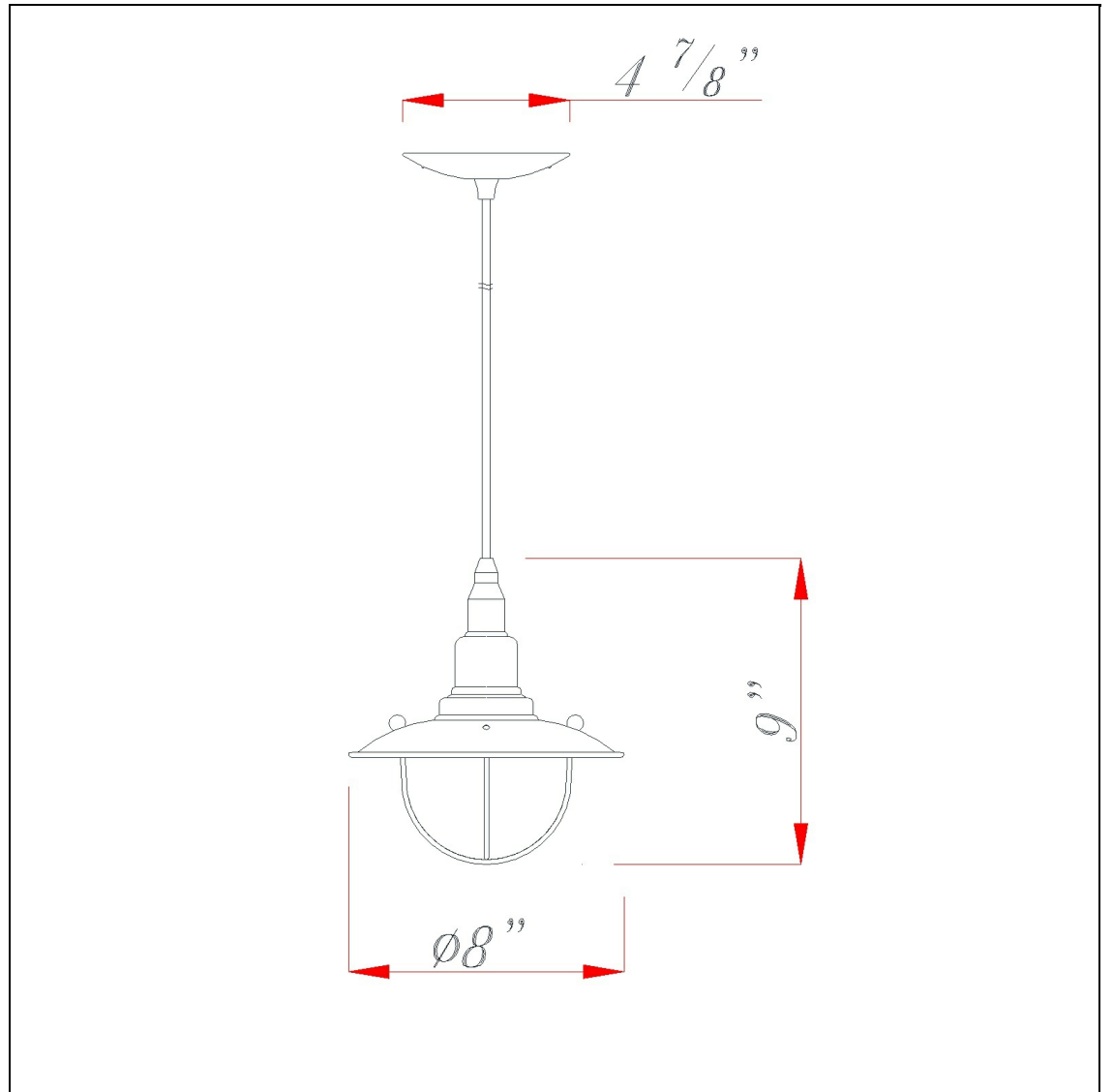


Product No. **UP-1113-6-DB**



Description

60W Allentown Metal Pendant
Durable Metal Construction
Ships in One Carton
Canopy Included
72" Inch Cord Length
8.88" Tall Metal Pendant in Brushed Steel

Technical Specifications

UPC	020193067284	Carton 1 Dimensions	7.50 x 18.00 x 26.80
Wattage	60W	Carton 2 Dimensions	0.00 x 0.00 x 26.80
Switch Type	Hardwired	Package Dimensions	L: 26.80 W: 18.00 H: 7.50
Bulb Base	E26		
Number of Lights	1		
Color	Dark Bronze		