

# CADET COM-PAK



- Efficient, quiet fan
- Warm up in a hurry with a fast-heating element
- Unique compact design is recess mounted into your wall to suit any room
- All metal surfaces are powder-coated paint to remove sharp edges and provide a durable finish
- Easy to install
- Rest easy – includes high temperature safety shutoff
- Available with or without built-in thermostat
- Conforms to UL Std. 2021 and Certified to CAN/CSA Std. C22.2 No. 46

The Com-Pak is an efficient, affordable way to add warmth without installing ductwork. Our hard wired heaters have proven safety features and multiple installation options, so your family can enjoy safe, sensible warmth for years.

## ARCHITECTURAL - ENGINEERING INFORMATION

Fan forced up flow electric air heaters are tested to UL standards, factory rated at 120V, 208V, and dual field rated 208V/240V. A powder coated 20 gauge wall mounting can with seven knockouts and 34 cubic inch wiring compartment is provided with each complete heater. Each complete heater is powder coated, of unitized construction and attaches to the wall can with a single screw and is self-contained and completely separate from the wall mounting can. Element is of nichrome type wire wrapped on mica insulators with a 16 amp rated, at 240V, high temperature manual power reset limit switch, and a one-time over temperature thermal back-up fuse, both located on the element board in the heated air flow for faster response time to abnormal conditions. A two stage centrifugal blower delivering approximately 40 to 55 CFM is driven by an impedance protected motor. The motor is totally isolated from the heating chamber. Metal grill is of one piece, 20-gauge construction and finished with a powder coat paint system.

## TECHNICAL INFORMATION

UL safety standards require the heater to be placed a minimum distance of 3/4 inches (1.9 cm) from adjacent surfaces and 4-1/2 inches (11.4 cm) from the floor. Manufacturer recommends installations 12 inches (30.5 cm) from all surfaces for longer and cleaner performance. All models 1500 watts or less may be ceiling mounted. A 3 foot (91.4 cm) minimum clearance is required for furniture or other objects placed directly in front of the heater.

Electric wall heaters and thermostats work best when installed on an inside wall.



# COM-PAK

Grill: 9" W (22.9 cm) x 12" H (30.5 cm) x 1" D (2.5 cm)

Rough-in: 8"W (20.3 cm) x 10-1/8"H (25.7 cm) x 4"D (10.2 cm)

Thermostat temperature range 40° F to 85° F (4° C to 29° C)

Heater assemblies require a wall can, grill kit, and may require a thermostat and trim kit

MODEL*	DESCRIPTION	WATTS	VOLTS	AMPS	BTUS	WT/LBS
CSC101TA	Complete unit with stat, wall can & grill, almond	1000	120	8.3	3415	7
CSC102TW-C	Complete unit with stat, wall can & grill, white or almond	1000/750	240/208	4.2/3.6	3415/2560	7
CSC102TA	Complete unit with stat, wall can & grill, white or almond	1000/750	240/208	4.2/3.6	3415/2560	7
CSC152TW-C	Complete unit with stat, wall can & grill, white	1500/1125	240/208	6.3/5.4	5120/3840	7
CSC202TW-C	Complete unit with stat, wall can & grill, white	2000/1500	240/208	8.3/7.2	6825/5120	7
CSC101W-C	Complete unit w/o stat, with wall can & grill, white or almond	1000	120	8.3	3415	7
CSC101A	Complete unit w/o stat, with wall can & grill, white or almond	1000	120	8.3	3415	7
CSC151W	Complete unit w/o stat, with wall can & grill, white or almond	1500	120	12.5	5120	7
CSC151A	Complete unit w/o stat, with wall can & grill, white or almond	1500	120	12.5	5120	7
CSC072W-C	Complete unit w/o stat, with wall can & grill, white	750/563	240/208	3.1/2.7	2560/1925	7
CSC102W-C	Complete unit w/o stat, with wall can & grill, white or almond	1000/750	240/208	4.2/3.6	3415/2560	7
CSC102A	Complete unit w/o stat, with wall can & grill, white or almond	1000/750	240/208	4.2/3.6	3415/2560	7
CSC152W-C	Complete unit w/o stat, with wall can & grill, white	1500/1125	240/208	6.3/5.4	5120/3840	7
CSC152A	Complete unit w/o stat, with wall can & grill, white	1500/1125	240/208	6.3/5.4	5120/3840	7
CSC202W-C	Complete unit w/o stat, with wall can & grill, white	2000/1500	240/208	8.3/7.2	6825/5120	7
CSC202A	Complete unit w/o stat, with wall can & grill, white	2000/1500	240/208	8.3/7.2	6825/5120	7
CS051	Heater assembly w/o thermostat	500	120	4.2	1710	3.5
CS051T	Heater assembly with thermostat	500	120	4.2	1710	4
CS101	Heater assembly w/o thermostat	1000	120	8.3	3415	3.5
CS101T	Heater assembly with thermostat	1000	120	8.3	3415	4
CS151	Heater assembly w/o thermostat	1500	120	12.5	5120	3.5
CS151T	Heater assembly with thermostat	1500	120	12.5	5120	4
CS058	Heater assembly w/o thermostat	563	208	2.7	1925	3.5
CS058T	Heater assembly with thermostat	563	208	2.7	1925	4
CS078	Heater assembly w/o thermostat	750	208	3.6	2560	3.5
CS078T	Heater assembly with thermostat	750	208	3.6	2560	4
CS108	Heater assembly w/o thermostat	1000	208	4.8	3415	3.5
CS108T	Heater assembly with thermostat	1000	208	4.8	3415	4
CS118	Heater assembly w/o thermostat	1125	208	5.4	3840	3.5
CS118T	Heater assembly with thermostat	1125	208	5.4	3840	4
CS158	Heater assembly w/o thermostat	1500	208	7.2	5120	3.5
CS158T	Heater assembly with thermostat	1500	208	7.2	5120	4
CS208	Heater assembly w/o thermostat	2000	208	9.6	6825	3.5
CS208T	Heater assembly with thermostat	2000	208	9.6	6825	4
CS052	Heater assembly w/o thermostat	500/375	240/208	2.1/1.8	1710/1280	3.5
CS052T	Heater assembly with thermostat	500/375	240/208	2.1/1.8	1710/1280	4
CS072	Heater assembly w/o thermostat	750/563	240/208	3.1/2.7	2560/1925	3.5
CS072T	Heater assembly with thermostat	750/563	240/208	3.1/2.7	2560/1925	4
CS102	Heater assembly w/o thermostat	1000/750	240/208	4.2/3.6	3415/2560	3.5
CS102T	Heater assembly with thermostat	1000/750	240/208	4.2/3.6	3415/2560	4
CS122	Heater assembly w/o thermostat	1250/937	240/208	5.2/4.5	4265/3200	3.5
CS122T	Heater assembly with thermostat	1250/937	240/208	5.2/4.5	4265/3200	4
CS152	Heater assembly w/o thermostat	1500/1125	240/208	6.3/5.4	5120/3840	3.5
CS152T	Heater assembly with thermostat	1500/1125	240/208	6.3/5.4	5120/3840	4
CS202	Heater assembly w/o thermostat	2000/1500	240/208	8.3/7.2	6825/5120	3.5
CS202T	Heater assembly with thermostat	2000/1500	240/208	8.3/7.2	6825/5120	4

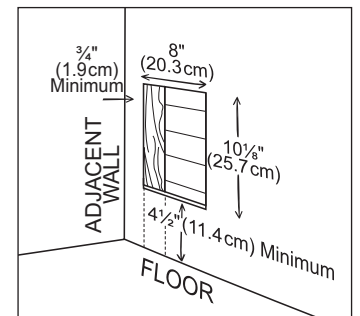
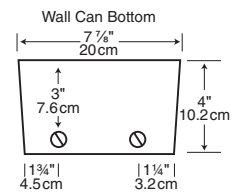
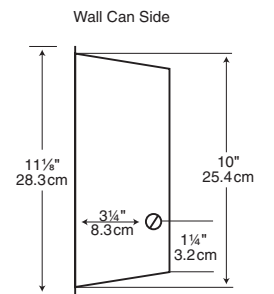
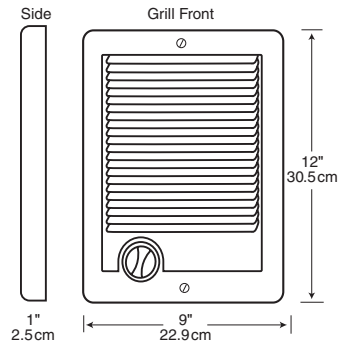
## WALL HEATER ACCESSORIES (MODEL CS)

MODEL*	DESCRIPTION	VOLTS	AMPS	WT/LBS
CC	Wall can for model CS, single or 10-pack			2.8
CC10	Wall can for model CS, single or 10-pack			22.5
CGW	Vertical grill kit for model CS, single or 10-pack, white			1.5
CGW10	Vertical grill kit for model CS, single or 10-pack, white			12.3
CGA	Vertical grill kit for model CS, single or 10-pack, almond			1.5
CGA10	Vertical grill kit for model CS, single or 10-pack, almond			12.3
CMGA	Horizontal grill kit for model CS, single or 5-pack, almond			2.0
CMGA5	Horizontal grill kit for model CS, single or 5-pack, almond			7.5
CMGW	Horizontal grill kit for model CS, single or 5-pack, white			2.0
CMGW5	Horizontal grill kit for model CS, single or 5-pack, white			7.5
CTT1W-C	Built-in thermostat kit for model CS, single or double pole, 40°F to 85°F (4° C to 29° C), white	240/208/120	22	.2
CTT2W-C	Built-in thermostat kit for model CS, single or double pole, 40°F to 85°F (4° C to 29° C), white	240/208/120	22	.2
CTT1A	Built-in thermostat kit for model CS, single or double pole, 40°F to 85°F (4° C to 29° C), almond	240/208/120	22	.2
CTT2A	Built-in thermostat kit for model CS, single or double pole, 40°F to 85°F (4° C to 29° C), almond	240/208/120	22	.2
C1TKW-C	Trim kit for model CS, 1" (2.5 cm), white			1
C4TKW-C	Surface box for model CS, 4" (10.2 cm), white			2.8
C1TKA	Trim kit for model CS, 1" (2.5 cm), almond			1
C4TKA	Surface box for model CS, 4" (10.2 cm), almond			2.8

\*Suffix W or A in model designates colour

\*Suffix -C in model designates colour packaging

**CADET**  
INVITING WARMTH



**ROUGH-IN: 8"W (20.3 CM) X 10-1/8" H (25.7 CM) X 4" D (10.2 CM)**

### Model No. Code

Model No.	Code	Description
CS	C	Com-Pak wall heater
	15	With wall can
	2	Wattage: 20 = 2000
	15	15 = 1500
	12	12 = 1250
	07	07 = 1000
	05	05 = 750
	05	05 = 500
	1	Voltage: 1 = 120
	2	2 = 240/208
	8	8 = 208
		Includes thermostat
		Colour: W = White
		A = Almond

If horizontal mounting is preferred for heater assemblies without thermostat, use grill kit model CMGA or CMGW.