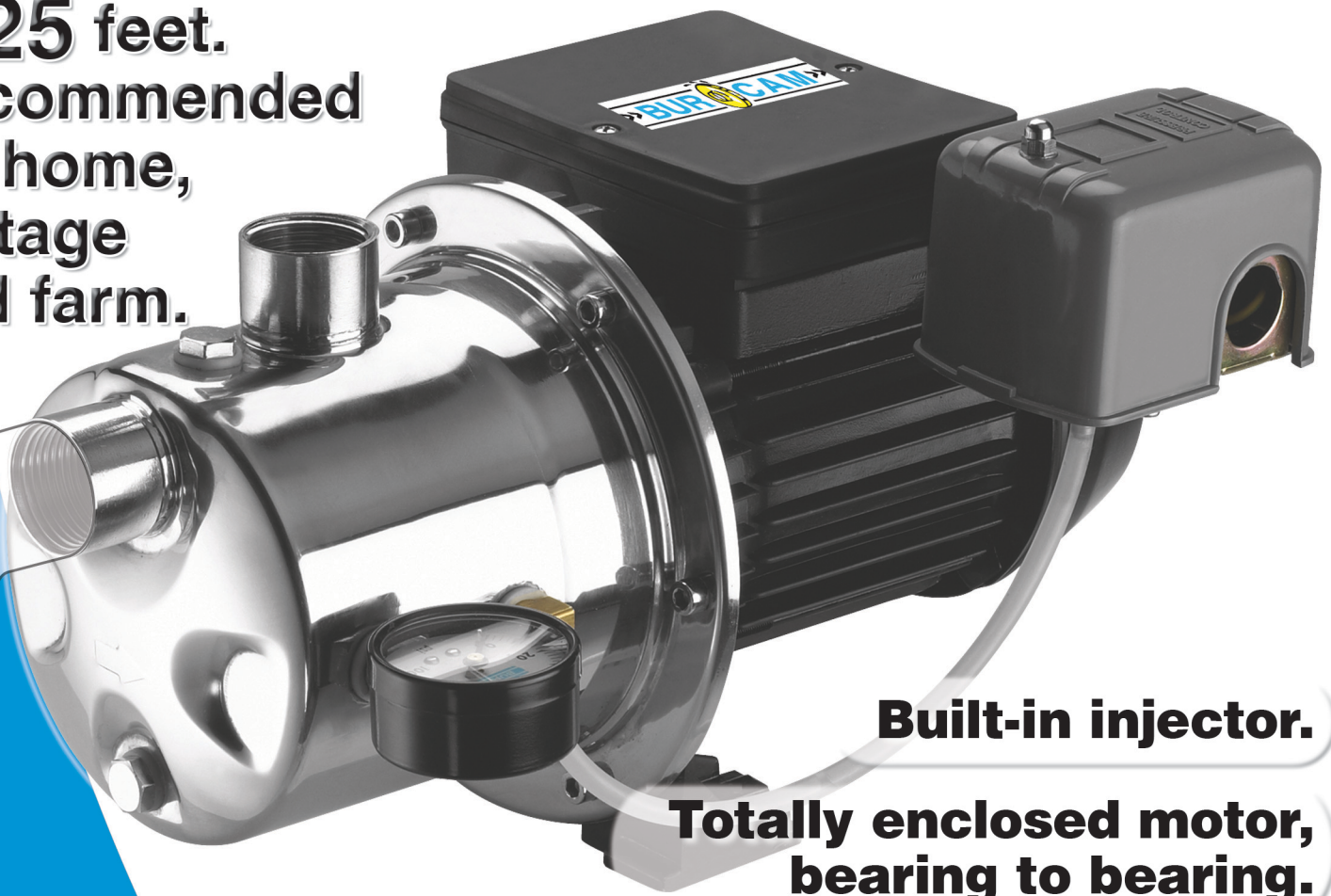


3/4 HP JET PUMP

Designed to pump potable water for a shallow well application with a vertical lift of 25 feet. Recommended for home, cottage and farm.



506518SS



Built-in injector.

Totally enclosed motor, bearing to bearing.

Prevent rust contamination.

Stainless steel large pump body, easy to prime.

Designed for continuous operation.



HEAD	LPH	HEAD	USGPH
1,5m	3400	5'	900
3,0m	2840	10'	750
4,5m	2425	15'	640
6,0m	2120	20'	560
7,5m	1800	25'	475

Friction loss in pipe not included