

broil-mate™

ONE TOUGH GRILL

Outdoor Gas Barbeque/Grill
Gril À Gaz

Assembly Manual and Parts List
Manuel De Montage et Liste De Pieces



broil-mate™
24025BMT



broil-mate™
7301-14



broil-mate™
30030BMT

ASSEMBLY VIDEO
VIDÉO MONTRANT
L'ASSEMBLAGE

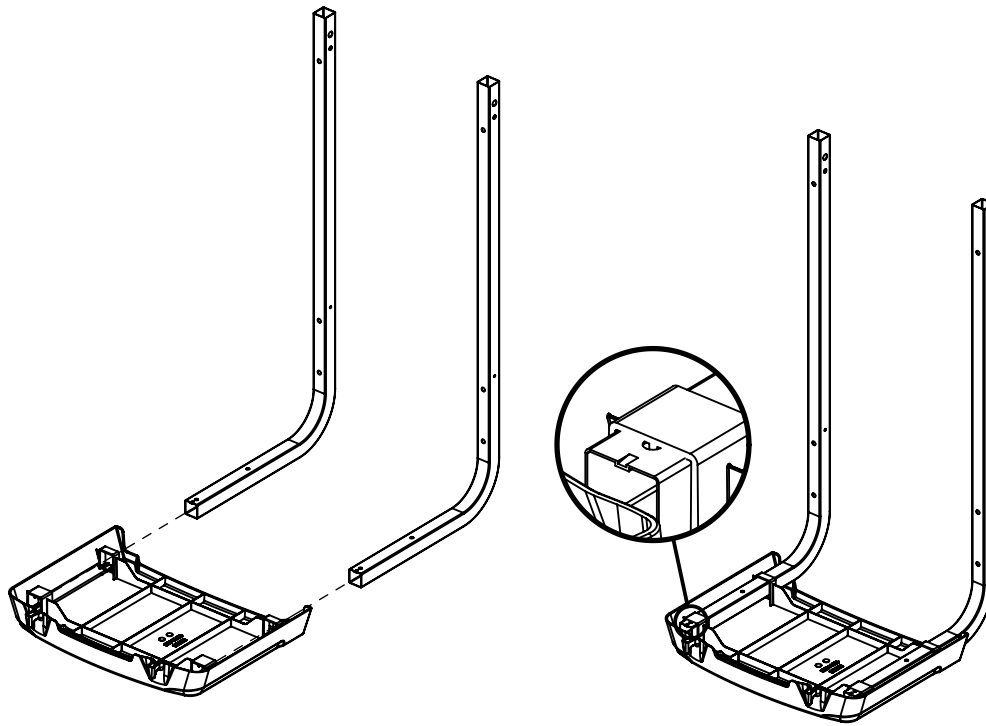
VIDEO DE
ENSAMBLAJE



BROILMATEBBQ.COM

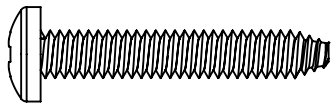
MADE IN USA Onward Manufacturing Company (LTD) SP5557-37 Rev G 09/16
FABRIQUÉ EN USA Canada: 585 Kumpf Drive USA: 1 Fiesta Drive
Waterloo, ON N2V1K3 Dickson, TN 37055-7716

1

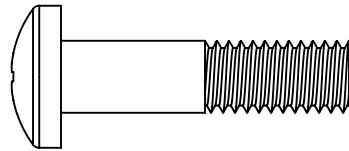


2

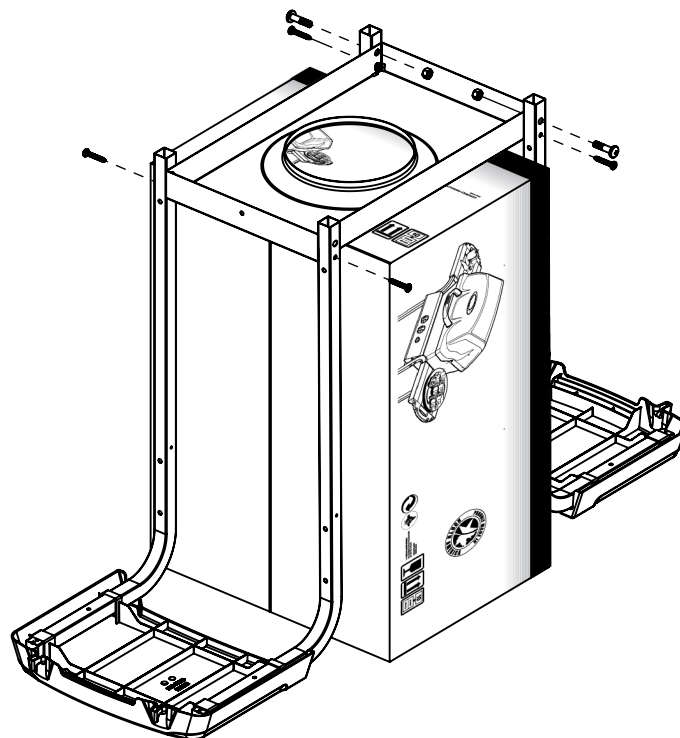
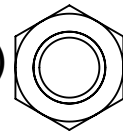
(4)



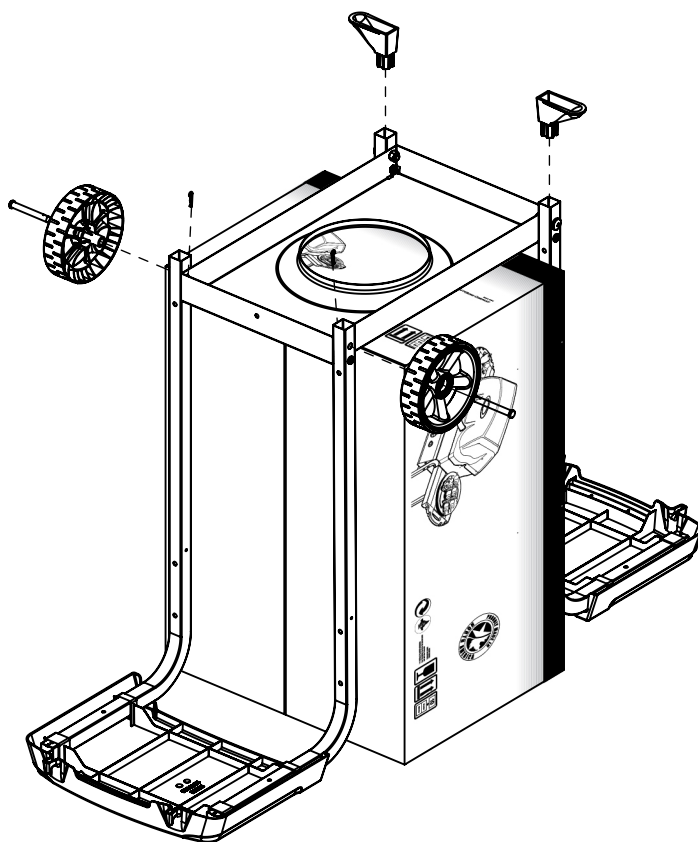
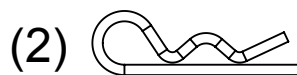
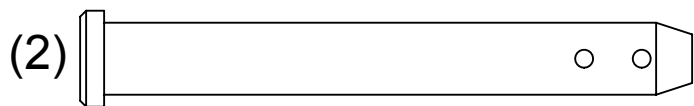
(2)



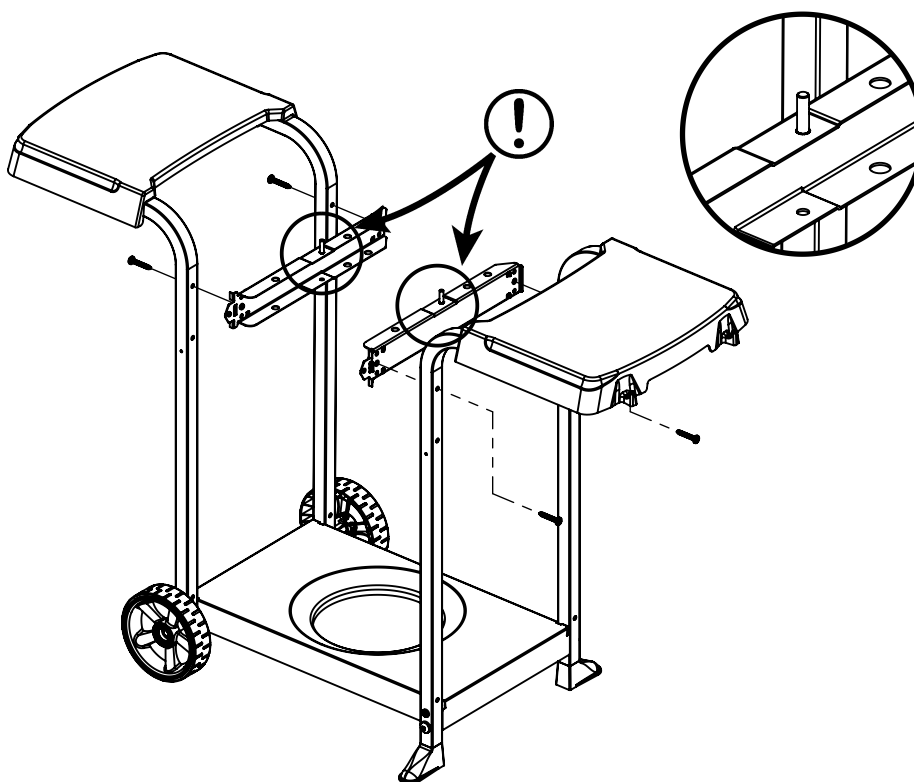
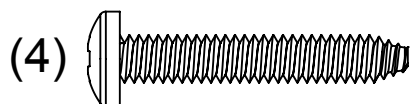
(2)



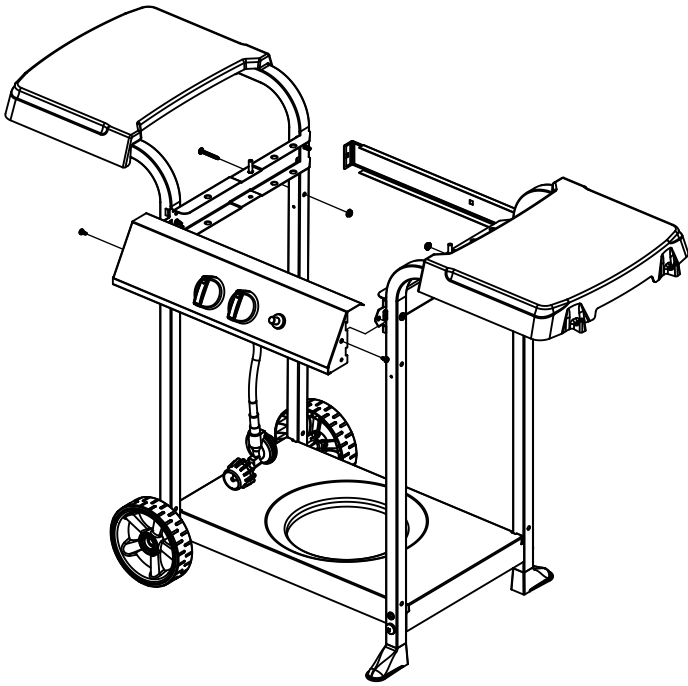
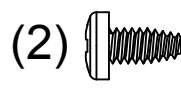
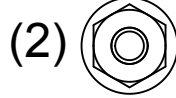
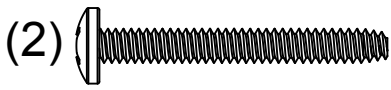
3



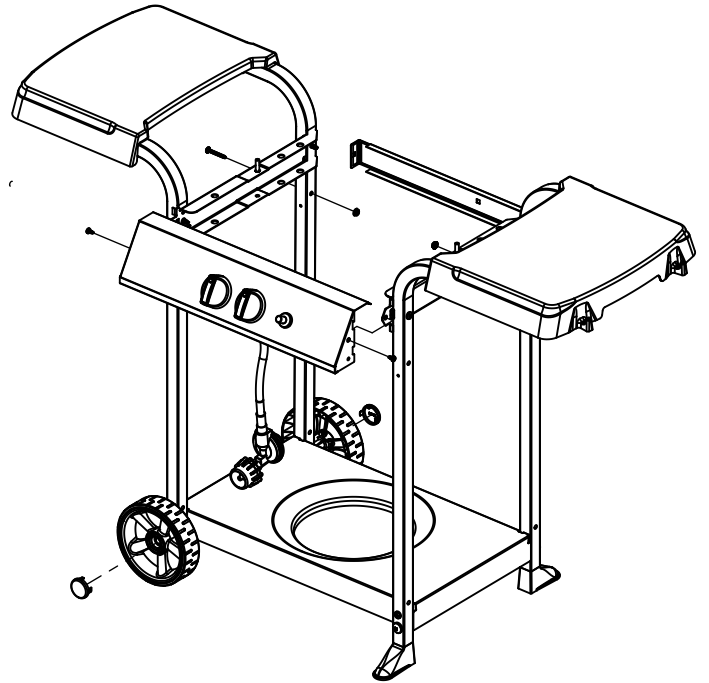
4



5

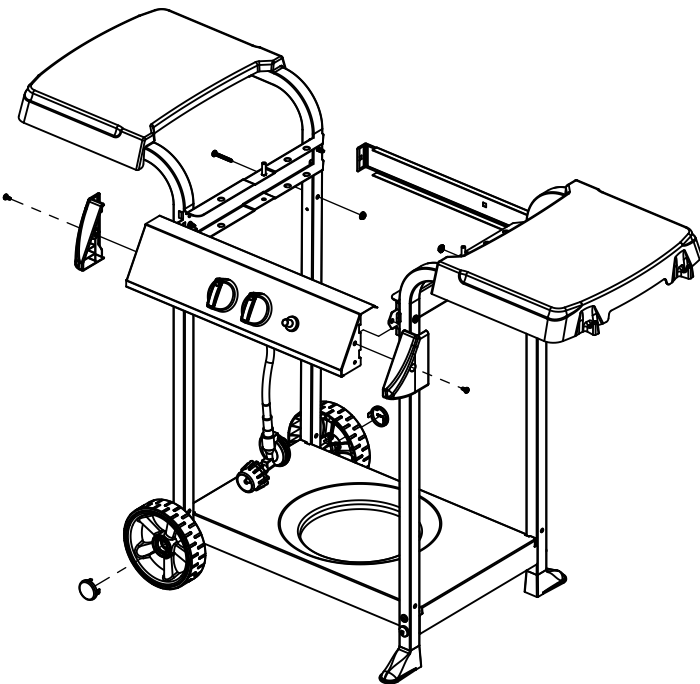
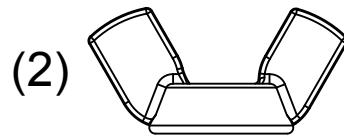


24025BMT

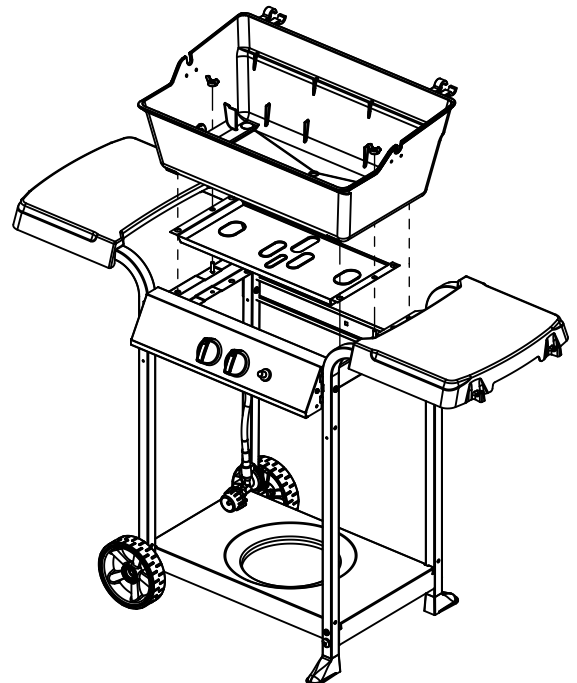


7301-14

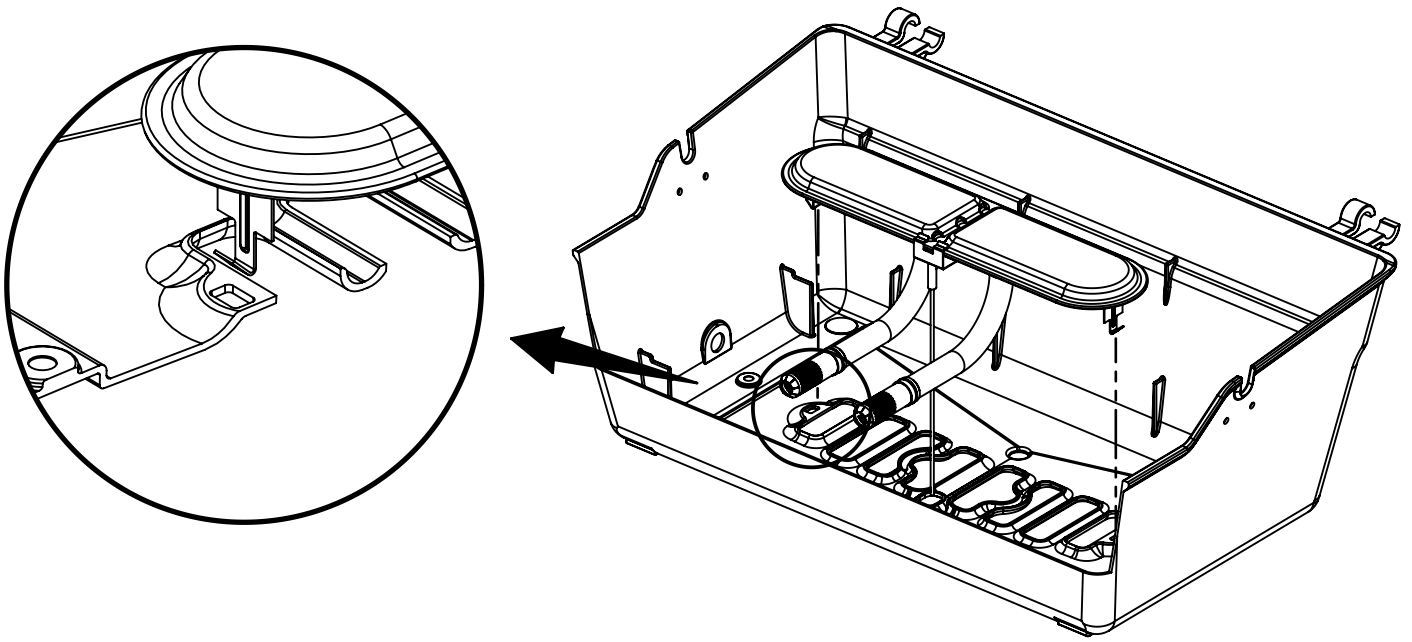
6



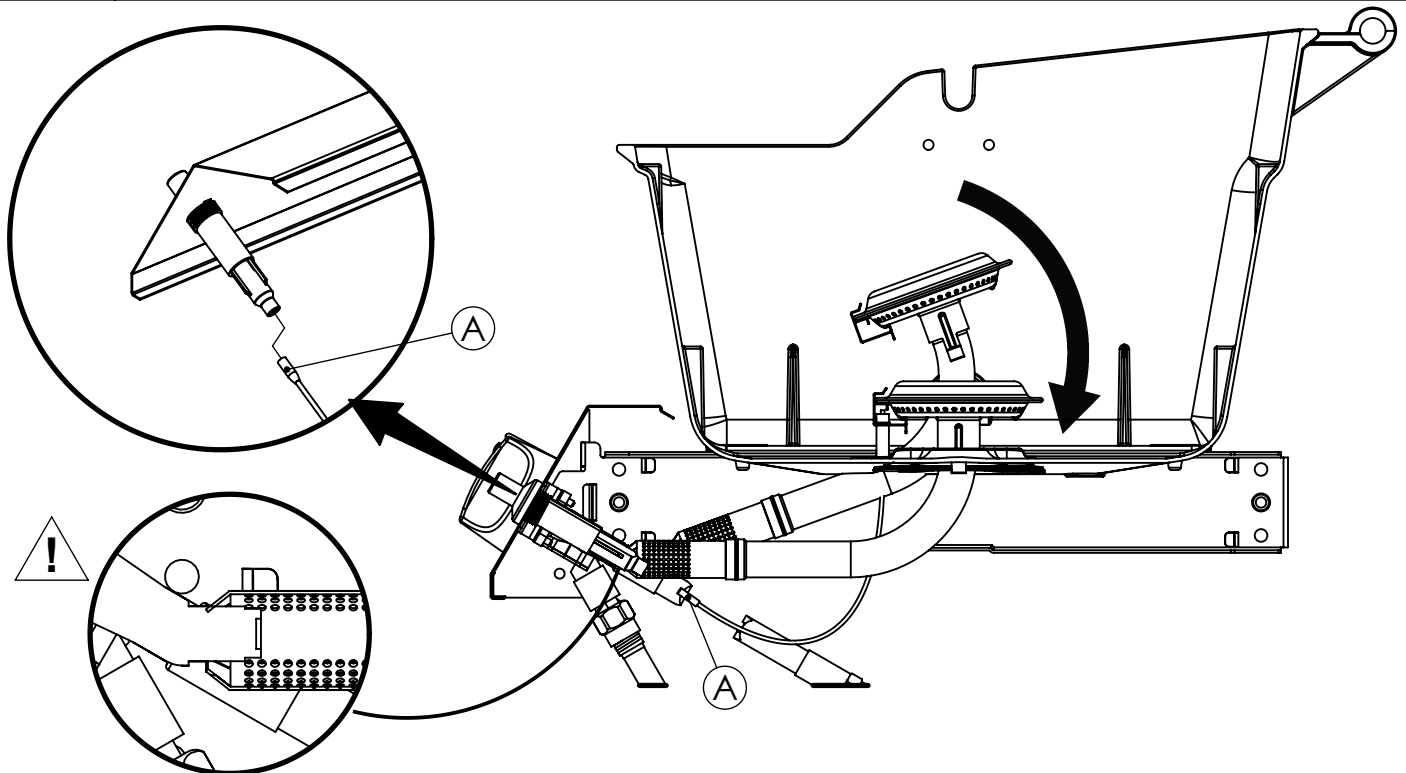
30030BMT



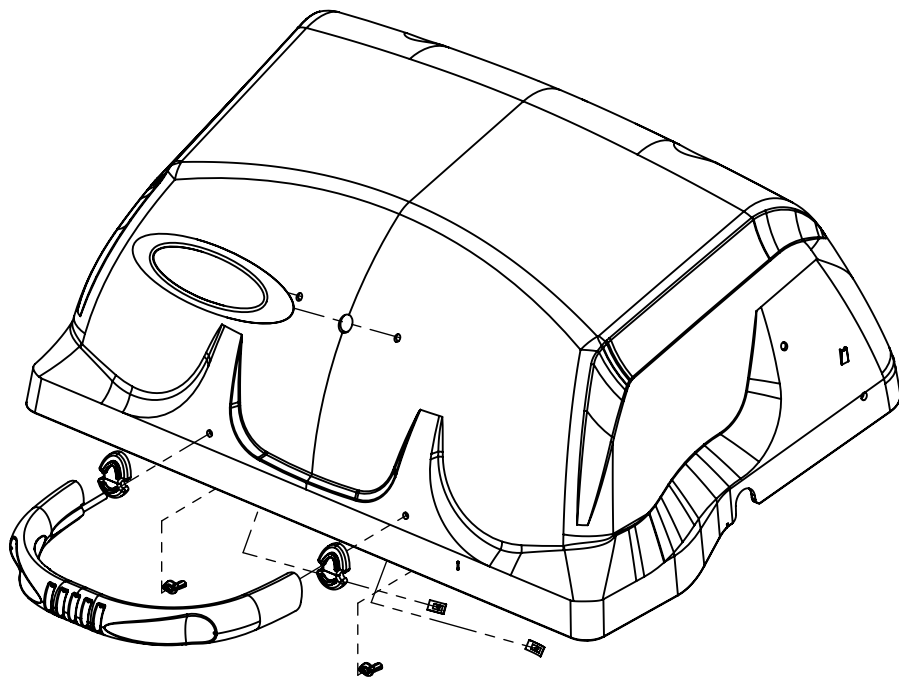
7



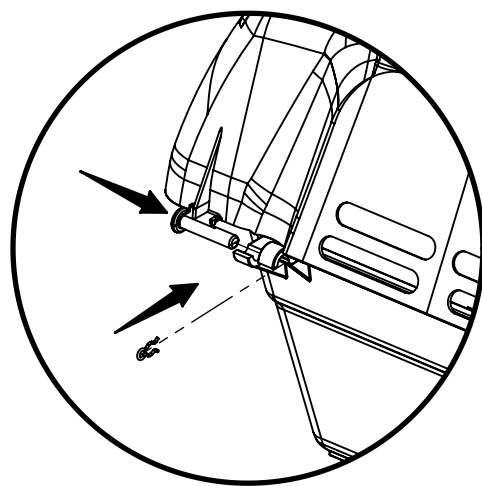
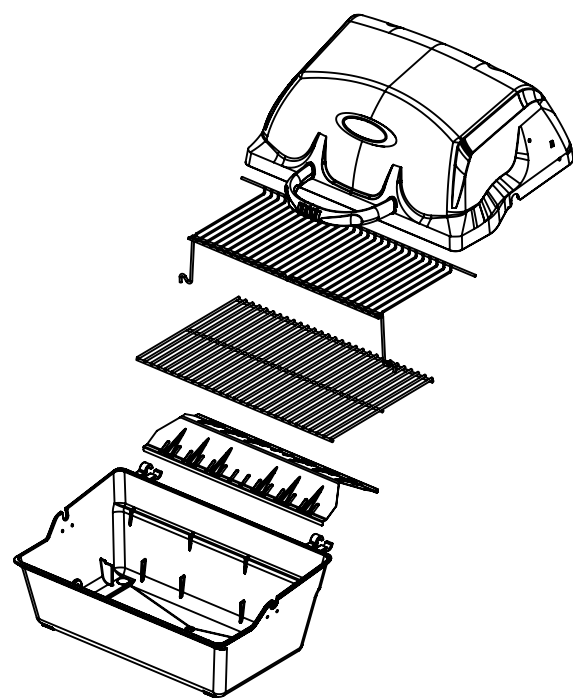
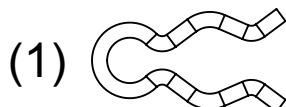
8



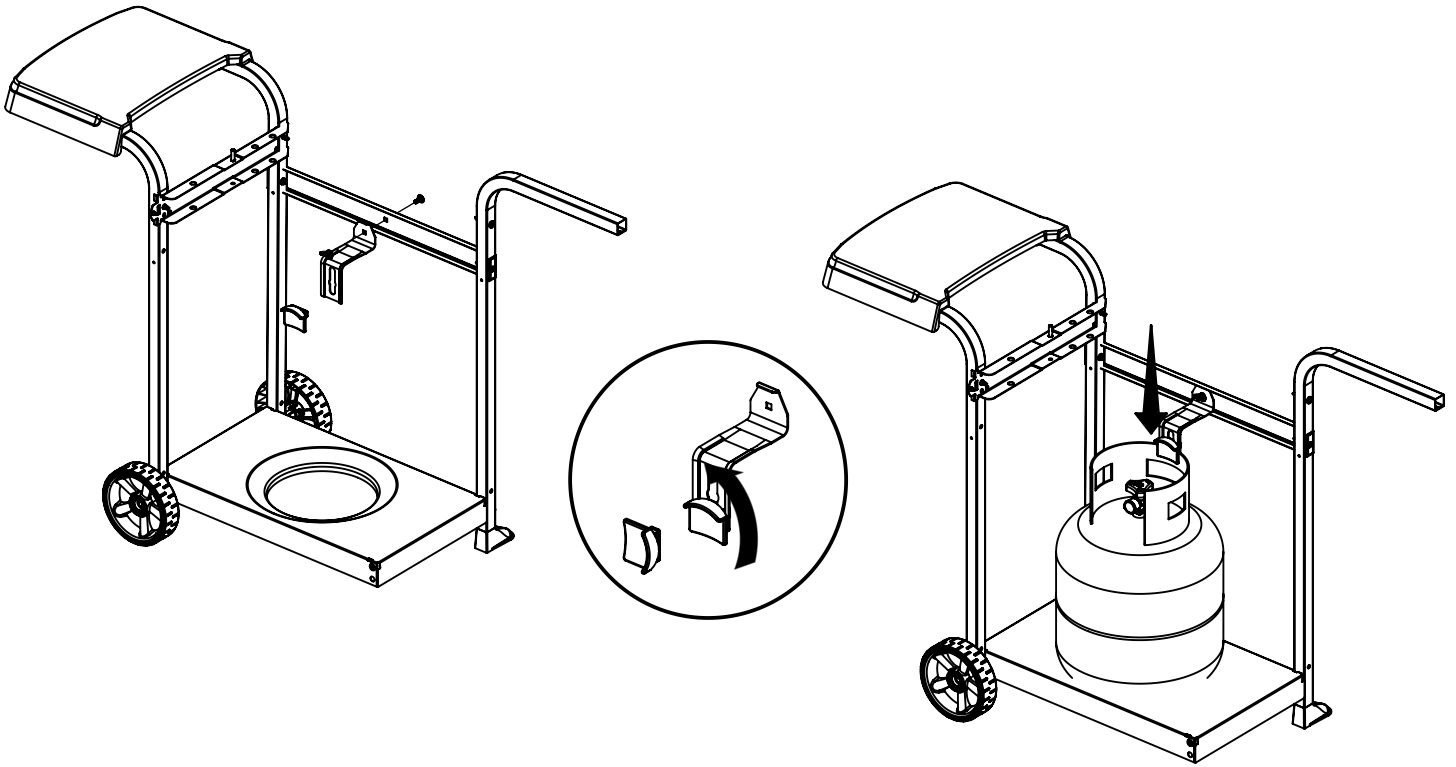
9



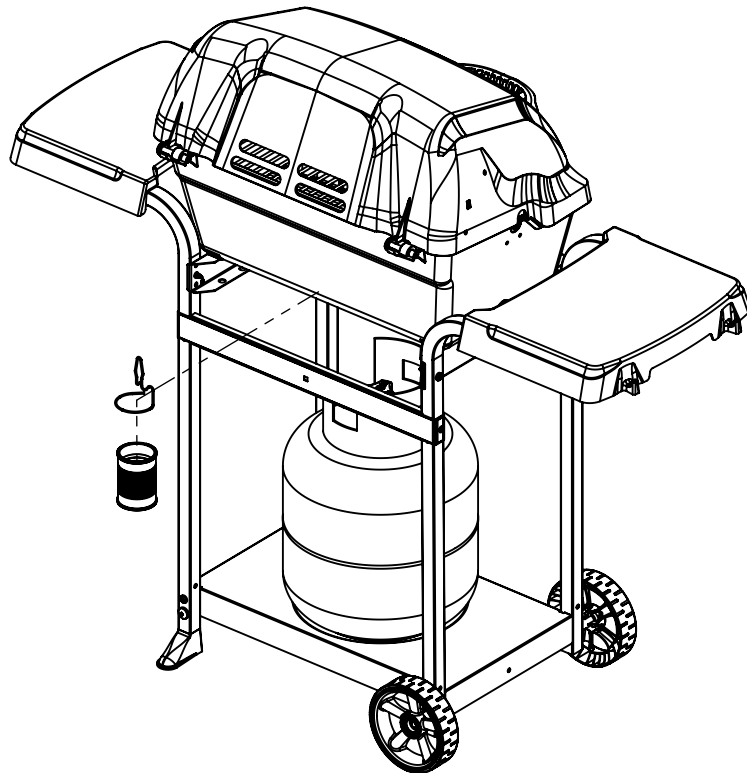
10



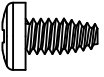
11



12

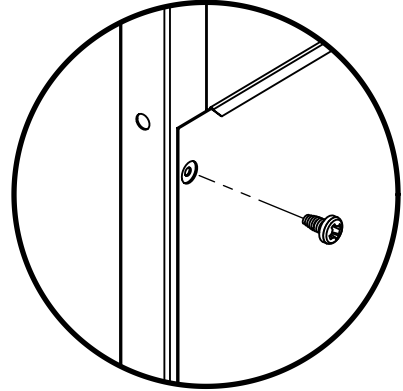
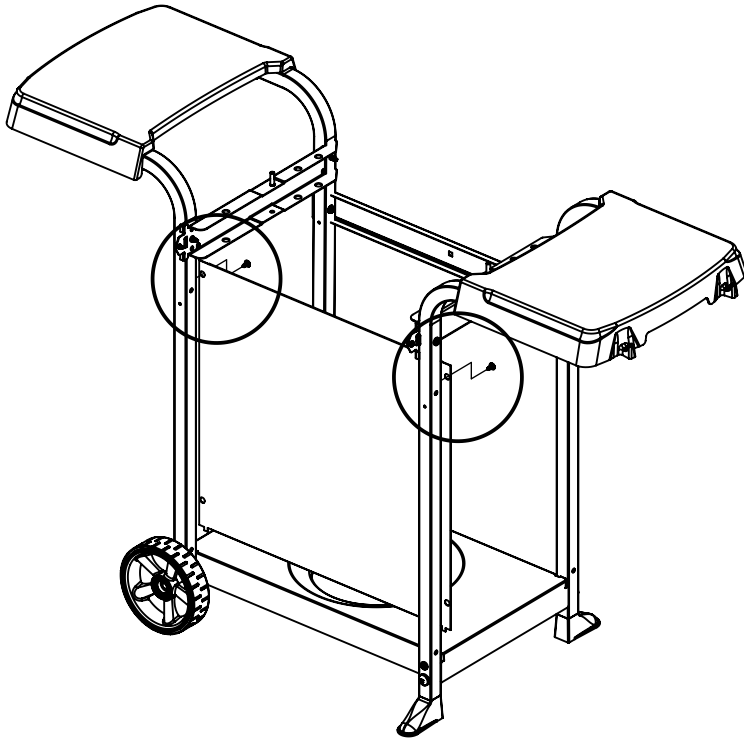


13

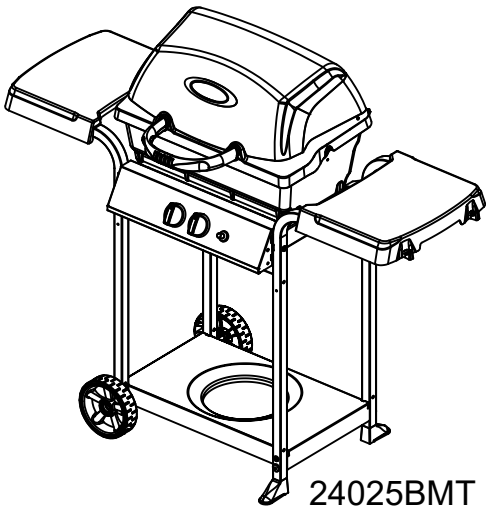
(2) 



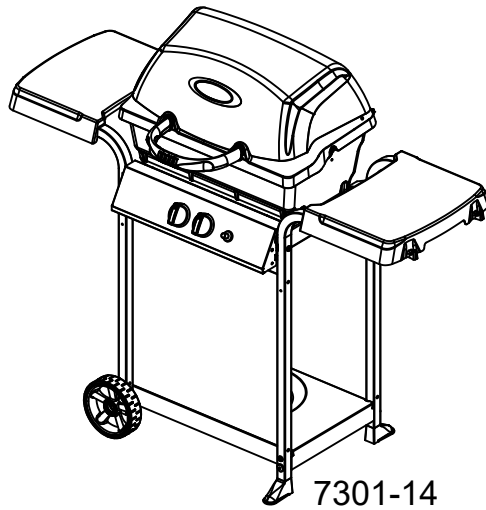
7301-14
30030BMT



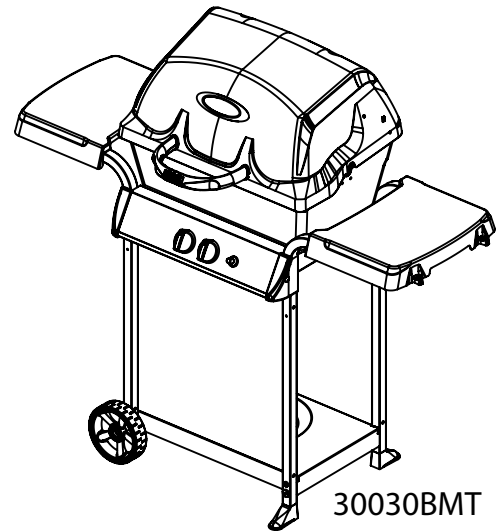
14



24025BMT



7301-14



30030BMT

<u>ITEM #</u>	<u>PART #</u>	<u>DESCRIPTION</u>	<u>DESCRIPTION</u>	<u>24025BMT</u>	<u>7301-14</u>	<u>30030BMT</u>
1	SM5010-1B	CASTING TOP	COUVERCLE DU GRILL	1	1	-
	10473-E301			-	-	1
2	SM43-2B	CASTING BOTTOM	FOND DU FOYER	1	1	-
	SM5003-2B			-	-	1
3	10081-BM607	NAMEPLATE	PLAQUE D'IDENTIFICATION	1	1	1
4	SP5021-3	GRID-WARMING RACK	GRILLE	1	1	-
	SP5022-3			-	-	1
5	SP124A-3	GRID	GRILLE	1	1	-
	SP43A-3			-	-	1
6	SM5072-9	FLAV-R-WAVE	FLAV-R-WAVE	1	1	1
7	SM191A-12	BURNER ASM	ENSEMBLE DE BRULEUR	1	1	-
	SM190A-12			-	-	1
8	SP5016-20	ELECTRODE	ELECTRODE	1	1	1
9	SP5038-19B	LID HANDLE	POIGNEE	1	1	-
	SP5039-192			-	-	1
10	SP5001-40	CASTING STANDOFF	SUPPORT DE GUIDON	2	2	2
20	SM5401-42B	CONTROL COVER	PANNEAU DE CONTROLE	1	1	1
21	10440-F244	CONTROL ASM LP	SOUPAPE	1	1	-
	10440-F304			-	-	1
22	10114-12	HOSE & REGULATOR LP - QCC1	YUYAU ET REGULATEUR PL - QCC1	1	1	1
23	10472-K37	CONTROL KNOB	BOUTON DE CONTROL	2	2	-
	10472-E432			-	-	2
24	10342-21	IGNITOR	ALLUMEUR	1	1	1
26	10711-E30	CONTROL COVER - ENDCAP - LEFT	PANNEAU DE CONTROLE - BOUCHON - GAUCHE	-	-	1
27	10711-E29	CONTROL COVER - ENDCAP - RIGHT	PANNEAU DE CONTROLE - BOUCHON - DROITE	-	-	1
30	SM5069-9	HEAT SHIELD	PROTECTION LA CHALEUR	1	1	1
32	SM5038-8B	BENT LEG	JAMBE COUDEE	4	4	4
35	SM5397A-42B	SUPPORT CASTING LEFT	SUPPORT DU FOYER GAUCHE	1	1	1
36	SM5398A-42B	SUPPORT CASTING RIGHT	SUPPORT DU FOYER DROIT	1	1	1
39	SM5004A-6B	BRACE - UPPER REAR	SUPPORT ARRIERE	1	1	1
40	10711-E401R	BASE	BASE	1	1	1
46	SM5066-6B	BRACKET - CYLINDER LP	SUPPORT DU RESERVOIR PL	1	1	1
47	SP21-6	CYLINDER CLAMP	CYLINDER DE SERRAGE	1	1	1
50	10711-F25	SHELF - SIDE	PLANCHETTE LATERALE	2	2	2
54	10956-E601	FRONT PANEL	PANNEAU AVANT	-	1	1
56	10892-608	WHEEL	ROUE	2	2	2
57	32001-152	WHEEL CAP	ROUE BOUCHON	-	2	2
77	S15111	GREASE CUP HOLDER	PORTE CONTENANT A GRAISSE	1	1	1
78	11494-148	LEG PLUG	PLUG JAMBE	2	2	2
80	SP25-16	1/4-20 WING NUT	ECROU PAPILLON 1/4-20	2	2	2
81	Y-11560	BOLT 1/4-20 x 1 1/2	BOULON 1/4-20 x 1 1/2	8	8	8
83	SP5021-18	CARRIAGE BOLT 1/4-20 x 5/8	BOULON 1/4-20 x 5/8	1	1	1
85	Y-11214	TINNERMAN CLIP	CLIP TINNERMAN	2	2	2
88	Y-11598	WING NUT 1/4-20	ECROU PAPILLON 1/4-20	1	1	1
91	Y-11968	SCREW 3/8-16 x 1 3/4	VIS 3/8-16 x 1 3/4	2	2	2
92	Y-12285	NUT 3/8	ECROU 3/8	2	2	2
93	Y-29320	SCREW 10-24 x 1 3/4	VIS 10-24 x 1 3/4	2	2	2
94	32010190	SCREW 10-24 x 1/2	VIS 10-24 x 1/2	2	4	4
95	Y-29304	SCREW 10-24 x 3/8	VIS 10-24 x 3/8	2	2	2
96	S21061	WING NUT 10-24	ECROU PAPILLON 10-24	2	2	2
97	10240-13	PIN	GOUPILLE	2	2	2
98	S21233	COTTER PIN	GOUPILLE	2	2	2
99	SP5007-15	CLIP	CLIP	1	1	-
	SP5004-15			-	-	1
101	SP23-16	NUT 10-24	ECROU 10-24	2	2	2

