



BROAN VENTILATION SOLUTIONS.
CLEANER KITCHEN. HEALTHIER HOME.



RANGE HOODS

WHEN YOUR HOME BREATHES,



WHY INDOOR AIR QUALITY IS IMPORTANT TO YOU.

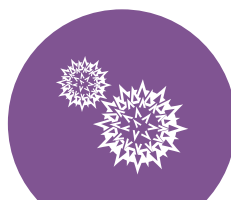
Consider this, according to the EPA (epa.gov), indoor air quality is five times worse than outdoor air quality. Most homeowners know that indoor air quality is important, but not all recognize what contributes to poor indoor air quality, the potential effects and harm, and how to address these problems. Broan is here to help. For more than 80 years, Broan has led the industry with residential ventilation solutions that improve indoor air quality and provide healthier home environments.

Moisture that is not properly ventilated can cause mildew and mold formation, which can potentially lead to structural problems and health problems. Exhaust ventilation solutions from Broan remove humidity at the source to help maintain the optimal humidity balance of 40 to 60 percent.

Off-gassing from construction materials, carpeting, adhesives and synthetic materials—as well as solvents from common household cleaners—can accumulate in tightly built homes. Look to Broan for continuous ventilation solutions that meet ASHRAE 62.2.

Particulate from dust, allergens, pet dander, and more can contribute to poor indoor air quality up to 100 times dirtier than outside air. With a properly ventilated home, you create a more enjoyable, comfortable and healthier environment.

Cooking effluents from food preparation can infiltrate the whole house in minutes. Grease, oils and aromas settle permanently into carpets, furniture, clothing and other surfaces. Kitchen ventilation solutions help eliminate cooking effluents for a cleaner, more comfortable and healthier environment.



YOU BREATHE EASIER TOO.

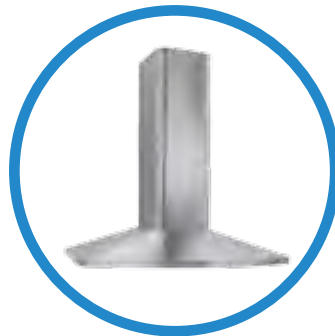
BROAN CAN IMPROVE INDOOR AIR QUALITY IN EVERY ROOM OF THE HOME.

From clearing humidity in the bathroom to removing heat, steam and airborne effluents in the kitchen. From whole-house HEPA air filtration and balanced fresh air exchange solutions to attic ventilation. From the family room to the master bedroom and in every room in between, no company knows residential and light commercial ventilation like Broan. After more than 80 years, countless innovations and a commitment to indoor air quality, trust Broan to clear up every concern.



EXHAUST VENTILATION

removes excess moisture and odor from any room in the home, and can also provide continuous, whole-house ventilation.



KITCHEN VENTILATION

expels cooking effluents from food preparation to eliminate airborne pollutants from spreading through the entire house.



FRESH AIR SYSTEMS

efficiently exchanges inside air with fresh outside air, and removes airborne particulate with HEPA filtration.

DID YOU KNOW?*

Knowing the facts goes a long way toward a healthier indoor environment:

Just **46%** recognize not having a bathroom fan has a negative impact on indoor air quality—only 42% recognize that a lack of a range hood also has a negative impact.

60% have a fan in each bathroom but only one in five let it run for 10 minutes after showering.

Some homeowners don't recognize the causes of poor indoor air quality:

Only **42%** are concerned about moisture that causes mold or mildew.

Only **33%** know food aromas after preparation is an indicator of poor IAQ.

81% don't know that a foggy mirror means poor IAQ.

Most homeowners are tuned in to residential Indoor Air Quality concerns:

60% know that indoor air quality has a greater impact on their health than outdoor air quality.

90% realize poor indoor air quality contributes to certain health issues and that healthy air helps prevent illness.

Inside this book

- 2 Ventilation Overview
- 4 Why Kitchens Need Ventilation
- 8 Chimney & Island Hoods
- 18 High Performance Hoods
- 24 Built-in Downdrafts
- 27 Built-in Power Packs
- 32 ENERGY STAR® Hoods
- 36 Under Cabinet Hoods
- 48 Accessories
- 52 Blowers/Installation Guidelines
- 54 Specifications



Every kitchen needs ventilation. **HERE'S WHY.**

The fact is, the kitchen is a primary source of poor indoor air quality. Excessive moisture, smoke, and air-borne particulate quickly infiltrates every room in your home. Indoor air can be up to 100 times more polluted than outside air, which means adequate ventilation is critical to a more comfortable and healthier environment. Broan has performance matched ventilation solutions for every cooking style and the type of appliance beneath it. Whether it's a focal point in your kitchen, or concealed in custom cabinetry, trust Broan—the leader in residential ventilation—to provide the optimal solution.



BROAN RANGE HOODS.

The best solution for faster smoke and odor removal.

**A microwave oven has its purpose.
And so does a range hood.**

While it may seem like you're tackling two problems with one appliance, there's always give and take. The ventilating capability of an over-the-range microwave simply doesn't compare to Broan kitchen ventilation. The purposeful design of Broan range hoods allows faster, more effective removal of smoke and odors for improved indoor air quality, and a cleaner kitchen.

Shadowgraph imagery confirms how heat, steam and cooking effluents spill past the edges of an over-the-range microwave ventilation system versus the superior capture of the Broan range hood.



Shown: Sahale range hood featuring the Captur™ system with three pots boiling, versus a microwave with two pots boiling.

Captur™
For faster smoke and odor removal.



Convenience versus safety.
An over-the-range microwave can be a dangerous location for young users, and even for adults.

THE RIGHT RANGE HOOD

and accessories for your cooking style, sense of style and installation needs.

Chimney Hoods

Do you have an open-concept kitchen? Consider a chimney style range hood to create a stunning focal point. Choose wall-mounted designs or a suspended range hood over an island cooktop. Be sure the blower you select matches the BTU output of your range.



High Performance Hoods

Looking for convenience in a high performance range hood? Style, power and modern convenience are possible with high-performance hoods. Highly effective filtration and stainless steel bottoms make cleaning easy. Just match your blower to the BTU output of your range.



Under Cabinet Hoods

In need of power while preserving cabinet space? The under cabinet range hood is the most popular type. You'll also find great styles in appliance-matching finishes, different performance levels and attractive price points.



Broan range hoods can be used to comply with California Title 24.



Power Packs

Thinking of designing custom cabinetry? Power packs allow you to conceal your range hood inside a cabinet for a clean look. Insert a power pack and achieve all the benefits of great ventilation.



Built-in Ventilation

Looking for a range hood that's there when you need it and hidden when you don't? Downdraft range hoods are perfect for island or peninsula installations. You receive the right amount of ventilation literally at the push of a button.





CHIMNEY & ISLAND

Every room deserves a focal point. In the kitchen, achieve it with Broan Chimney, Island, and Pro-style range hoods. Strong angles, gentle curves, glass accents, striking lighting. Details make all the difference, and that says something about you.



Broan Elite 63000/63000EX Island

Perfection—any way you look at it. This free-hanging island hood will draw the eye from every vantage point.



STAINLESS
27-5/8" x 39-3/8"
637004/637004EX

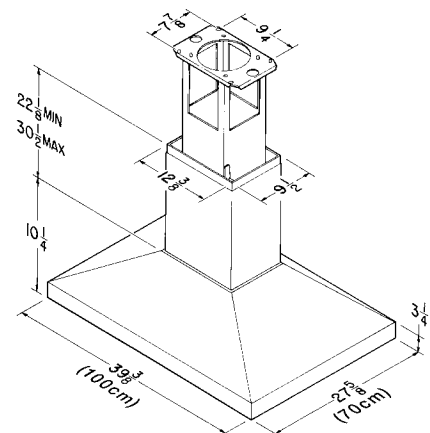
- Enduring style, stainless steel construction.
- Seamless corners for easy cleaning.
- Concealed three-speed control. (EX models have variable speed controls.)
- Heat Sentry™ detects excessive heat and adjusts blower speed to high automatically.
- 27-5/8" x 39-3/8" (70 cm x 100 cm) size.
- Superior lighting from four 20-watt Halogen lamps included (one level).
- The 63000EX models are designed to operate with Broan Elite External blowers, providing a choice of four Exterior models: 600, 900, 1200 or 1500 CFM or four In-Line models: 280, 600, 800 or 1100 CFM.
- Telescopic flue fits 8' to 9' ceilings*
- Easily removable, dishwasher-safe stainless steel grease filter.

SPECIFICATIONS

Width	CFM	Blower	Sones	Volts	Amps	Duct	Flue Extension*	Make-Up Air Damper
27-5/8"	900	Internal	9.5	120	5.5	8" RD	RFX6304EX	MD6TU, MD8TU, MD10TU
	†	External†			0.8**			

OPTIONAL ACCESSORIES

† External and In-Line blowers sold separately.
** Hood amps without blower. For total system amps, combine hood with external blower amps.
* Optional flue extension for 10' ceiling.



Broan Elite EI59 Island

Beautiful contemporary European glass island design. The curved glass canopy provides a stunning focal point without blocking the view of your surroundings.



Optional BCR1 Remote Control

STAINLESS
35-3/8" x 25-5/8"
EI5936SS

- Contemporary Italian Glass Canopy design.
- Available in brushed stainless steel.
- 35-3/8" x 25-5/8" dimension.
- Powerful 500 CFM internal blower.
- Bright quad halogen lighting; 3-intensity settings (lamps included).
- 3-Speed electronic push button control with blue speed selection indication.
- Control features include Delay-off and Filter clean reminder.
- Optional Remote Control Operation—BCR1.
- Quick release aluminum mesh filters.
- Designed to work with Broan Automatic Make-up air dampers.
- Heat Sentry™ detects excessive heat and adjusts blower speed automatically.
- Telescopic flue accommodates ceiling heights 8' to 9'.

SPECIFICATIONS

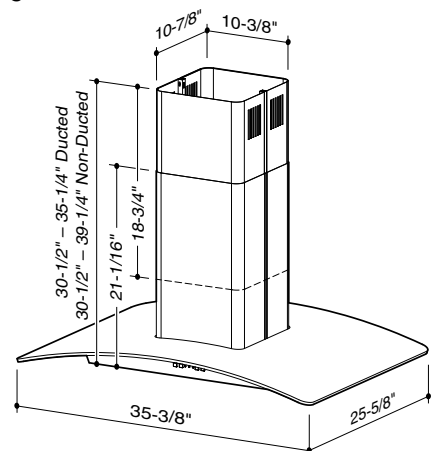
Width	CFM	Blower	Sones	Volts	Amps	Duct
35-3/8"	500/200	Internal	10.5/2.5	120	3.55	6" RD

OPTIONAL ACCESSORIES

Flue Extension*	FXNE59SS
Non-Ducted Kit**	RKE59
Non-Ducted Filter	FILTERE56
Remote Control	BCR1
Make-Up Air Damper	MD6T, MD8T, MD10T

* Optional flue extension for either ducted or non-ducted 9' to 10' ceilings.

** Includes non-ducted filter & flex duct



Broan Elite E54000 Island

Elegant symmetry from every angle. Graceful curves and a low-profile design make this island hood at home in any décor.



STAINLESS
35-7/16" x 27-9/16"
E5490SS

- Brushed stainless steel finish.
- 35-7/16" x 27-9/16" dimension.
- Multi-speed slide control.
- Four 20-watt halogen lamps included (one level).
- Dishwasher-safe aluminum filters.
- Telescopic flue accommodates 8' to 9' ceilings—flue extension available for 10' ducted and non-ducted applications.*
- Internal blower delivers 480 CFM (<300 CFM with ARP6).
- Non-ducted kit for indoor recirculation (purchase separately).
- Heat Sentry™ detects excessive heat and adjusts blower speed to high automatically.

SPECIFICATIONS

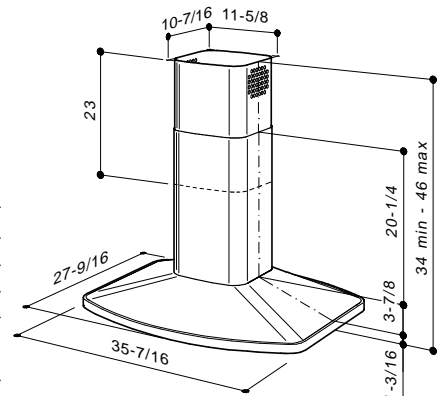
Width	CFM	Blower	Sones	Volts	Amps	Duct
35-7/16"	480/ 230**	Internal	9.5/ 3.0	120	3.56	6" RD

OPTIONAL ACCESSORIES

Flue Extension	FX54SS
Non-ducted Flue Extension	FXN54SS
Non-Ducted Kit*	RK54
Non-ducted Filter	FILTERSQUARE
Make-Up Air Damper	MD6TU, MD8TU, MD10TU

* Includes non-ducted filter.

** 299 CFM max with ARP6 reducer plate option.



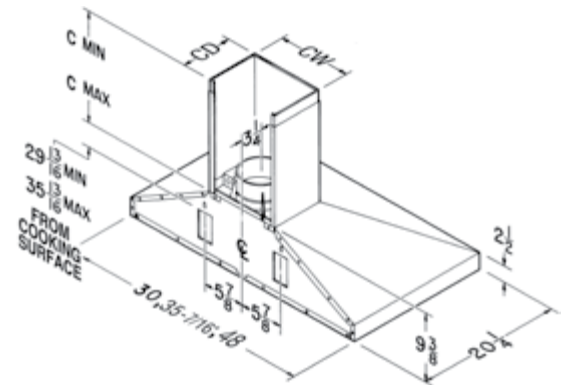
Broan Elite 61000/61000EX

A flawless look. A lasting impression. Beautiful stainless steel construction in a wall mounted design.



- STAINLESS**
- INTERNAL BLOWER**
- 30" 613004
- 35-7/16" 619004
- 48" 614804
- EXTERNAL BLOWER**
- 35-7/16" 619004EX
- 48" 614804EX

- Seamless corners for easy cleaning.
- Concealed three-speed slide control (EX models have variable speed control).
- Heat Sentry™ detects excessive heat and adjusts blower speed to high automatically.
- The 61000EX models are designed to operate with the Broan Elite External blowers, providing a choice of four Exterior models: 600, 900, 1200 or 1500 CFM, or four In-Line models: 280, 600, 800 or 1100 CFM
- <300 CFM with optional ARP6 (See below).
- Two 20-watt (four in 48") halogen lamps included (one level).
- Available in 30", 35-7/16" (90 cm) or 48" sizes.
- Ducted/non-ducted telescopic flues fit 8' to 9' ceilings.
- Convertible to ducted or non-ducted operation** (excludes 48" model).
- Easily removable, dishwasher-safe, stainless steel grease filters.
- Optional ducted flue extension for up to 10' ceilings (units using flue extensions are for ducted applications only).



SPECIFICATIONS

Width	CFM	Blower	Sones	Volts	Amps	Duct	Flue Extension*	Non-ducted Filter	Make-Up Air Damper
30"	450 ⁺	Internal	9	120	3.1	6" RD	RFX6104	ROUNDFILTER	MD6TU, MD8TU, MD10TU
35-7/16"			9						
48"			9.5						
35-7/16"	†	External†	—		0.5***	8" RD	RFX6104EX	—	
48"			0.8***						

	C MIN	C MAX	CD	CW
613004	25-5/8"	45-1/2"	6-5/8"	9-1/4"
619004				
619004EX				
614804	22"	37"	10-3/8"	12-3/4"
614804EX				

* Optional ducted flue extension for 10' ceiling.
 ** Requires a non-ducted filter kit, purchase separately. Round filter or SB08999736.
 *** Hood amps w/o blower, for total system amps, combine hood w/ External blower amps.
 † External blowers sold separately.
 † 299 CFM max with ARP6 reducer plate option.

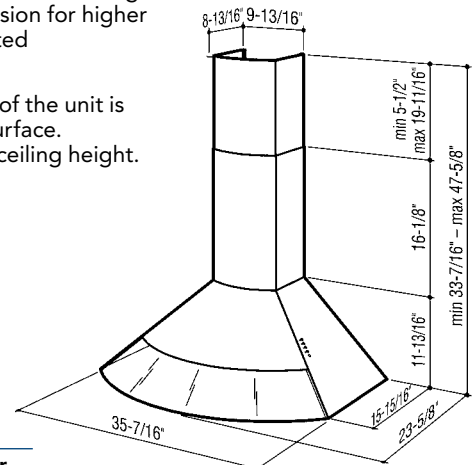
Broan Elite RM65000

Sensational high-design appearance. This delightful, hand-crafted design blends curved and angular surfaces to form a stunning union of stainless steel and glass.



STAINLESS
35-7/16" RM659004

- Four-speed, electronic push-button control features stylish, rounded buttons with individual speed indicators.
- Delay timer automatically shuts off unit after 10 minutes.
- Control light flashes when it's time to clean the filter.
- Heat Sentry™ detects excessive heat and adjusts blower speed to high automatically.
- Two-level lighting provides bright cooktop illumination and a low nighttime setting.
- Two 20-watt halogen lamps included (one level).
- Dishwasher-safe aluminum filters feature a quick-release latch and professional-style appearance.
- Ducted telescopic flue accommodates ceiling heights from 8' to 9'. Flue extension for higher ceilings is also available for ducted applications.*
- Install hood so that the bottom of the unit is 24" to 30" above the cooking surface. Mounting height is affected by ceiling height.



SPECIFICATIONS

Width	CFM	Sones	Volts	Amps	Duct	Flue Extension*	Make-up Air Damper
35-7/16"	450**	9.0	120	3.1	6" RD	RFX6504	MD6TU, MD8TU, MD10TU

OPTIONAL ACCESSORIES

* Optional flue extension for 10' ceiling.
** 299 CFM max with ARP6 reducer plate option.



Broan Elite EW58

Inspiring traditional European design. This wonderful design is executed to meet today's needs so that everyone can achieve their dream.



STAINLESS

30" EW5830SS
36" EW5836SS



Optional BCR1
Remote Control



Broan Elite EW56

Elegant European curved glass design that is both beautiful and functional. The airy design is a stunning focal point that complements its surrounding perfectly.

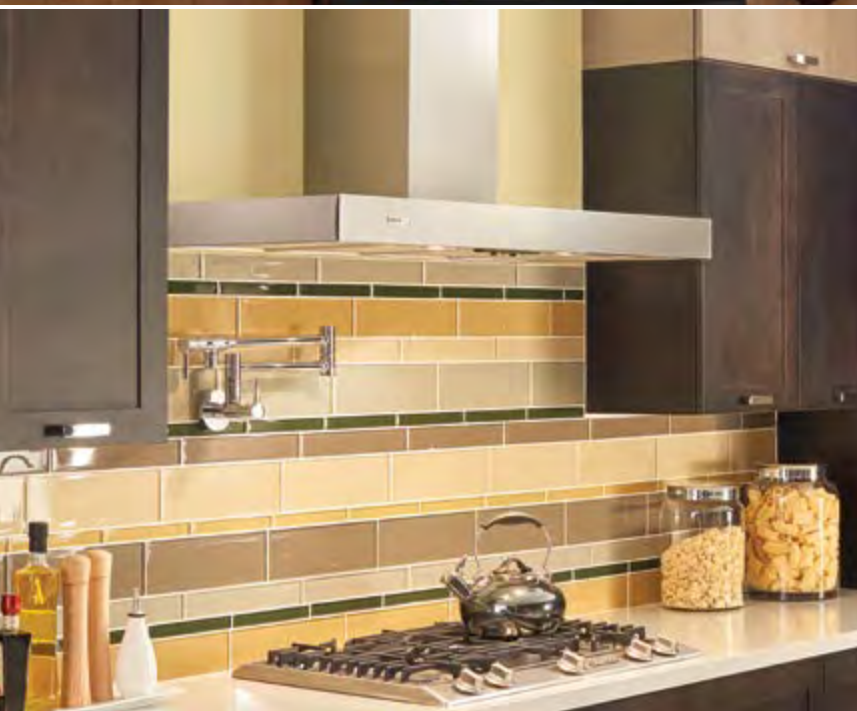


STAINLESS

30" EW5630SS
35-7/16" EW5636SS



Optional BCR1
Remote Control



Broan Elite RM53000

Contemporary lines for a one-of-a-kind kitchen. Clean lines complement the contemporary kitchen or boldly contrast the flowing styles of more traditional settings.

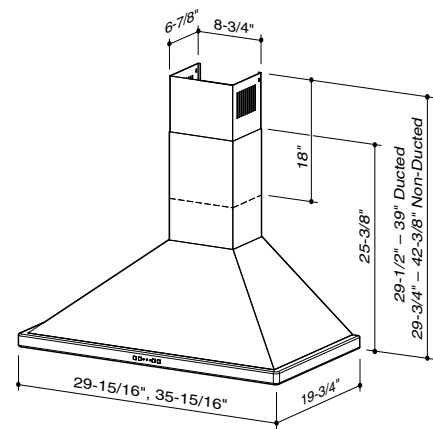


STAINLESS

30" RM533004
36" RM533604
42" RM534204



- Traditional Italian design with high-performance features.
- Available in brushed stainless steel.
- Two widths 30" & 36"; in a 19-3/4" depth.
- Powerful 500 CFM internal blower.
- Bright dual halogen lighting; 3-intensity settings (lamps included).
- 3-Speed electronic push button control with blue speed selection indication.
- Control features include Delay-off and Filter clean reminder.
- Optional Remote Control Operation—BCR1.
- Quick release aluminum mesh filters.
- Designed to work with Broan Automatic Make-up air dampers.
- Heat Sentry™ detects excessive heat and adjusts blower speed automatically.
- Telescopic flue accommodates ceiling heights 8' to 9'. Flue extensions for higher ceilings are also available.*



SPECIFICATIONS

Width	CFM	Blower	Sones	Volts	Amps	Duct
30", 36"	500/200	Internal	10.5/2.5	120	3.05	6" RD

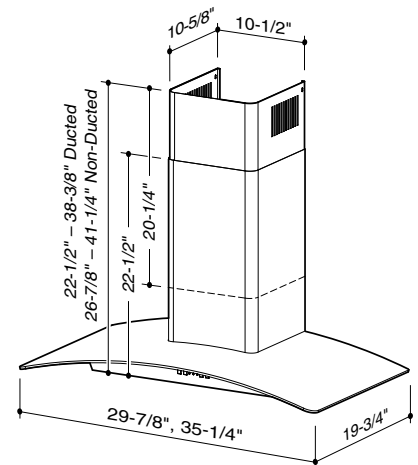
OPTIONAL ACCESSORIES

Flue Extension*	FXNE58SS
Non-Ducted Kit**	RKE58
Non-ducted Filter	FILTERE56
Remote Control	BCR1
Make-Up Air Damper	MD6T, MD8T, MD10T

* Optional flue extension for either ducted or non-ducted 10' ceilings.
 ** Includes non-ducted filter & flex duct.



- Contemporary Italian Glass Canopy design.
- Available in brushed stainless steel.
- Two widths 30" & 35-7/16"; in a 19-3/4" depth.
- Powerful 500 CFM internal blower.
- Bright dual halogen lighting; 3-intensity settings (lamps included).
- 3-Speed electronic push button control with blue speed selection indication.
- Control features include Delay-off and Filter clean reminder.
- Optional Remote Control Operation—BCR1.
- Quick release aluminum mesh filters.
- Designed to work with Broan Automatic Make-up air dampers.
- Heat Sentry™ detects excessive heat and adjusts blower speed automatically.
- Telescopic flue accommodates ceiling heights 8' to 9'. Flue extensions for higher ceilings are also available.*



SPECIFICATIONS

Width	CFM	Blower	Sones	Volts	Amps	Duct
30", 35-7/16"	500/200	Internal	10.5/2.5	120	2.88	6" RD

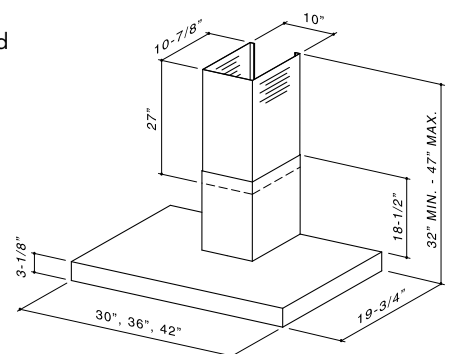
OPTIONAL ACCESSORIES

Flue Extension*	FXNE56SS
Non-Ducted Kit**	RKE56
Non-ducted Filter	FILTERE56FL
Remote Control	BCR1
Make-Up Air Damper	MD6T, MD8T, MD10T

* Optional flue extension for either ducted or non-ducted 10' ceilings.
 ** Includes non-ducted filter & flex duct.



- Multi-speed slide control.
- 370 CFM internal blower (<300 CFM with ARP6).
- Heat Sentry™ detects excessive heat and adjusts blower speed to high automatically.
- Two 25 watt halogen lamps included (one level).
- Dishwasher-safe aluminum filters feature a quick-release latch and professional-style appearance.
- Ducted/non-ducted telescopic flue accommodates 8' to 9' ceiling heights. Flue extensions for higher ceilings are also available.*
- Requires separate purchase of a non-ducted kit (RRK51) for indoor exhaust recirculation.
- Bottom of hood must be 24" to 30" above the cooking surface. Mounting height is determined by ceiling height.



SPECIFICATIONS

Width	CFM	Sones	Volts	Amps	Duct
30", 36", 42"	370	7.0	120	2.6	6" RD

OPTIONAL ACCESSORIES

Ducted Flue Extension*	RFX5304
Non-Ducted Flue Extension*	RFXN5304
Non-Ducted Kit**	RRK51
Non-ducted Filter	FILTERSQUARE
Make-Up Air Damper	MD6TU, MD8TU, MD10TU

* Optional flue extension for 10' ceilings.
 ** Includes non-ducted filter.
 * 299 CFM max with ARP6 reducer plate option.





Broan Elite RM52000

A sleek look that's simply elegant. Combines graceful curves and traditional European styling.



STAINLESS

30" RM523004

36" RM523604

42" RM524204



Broan Elite RM51000

Hand-rolled. European craftsmanship. Sleek, graceful curves engineered to meet the requirements of today's appliances and kitchens.



STAINLESS

35-7/16" RM519004



Broan Elite RM50000

Beautiful, yet attainable. European design with tremendous value to meet the requirements of today's conventional appliance and kitchen styles.



STAINLESS

30" RM503004

35-7/16" RM503604



BLACK

30" RM503023

35-7/16" RM503623

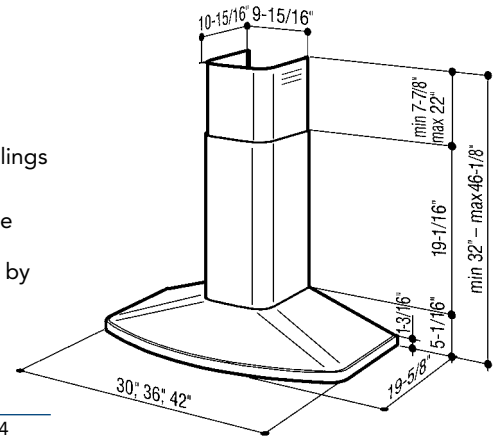


WHITE

30" RM503001

35-7/16" RM503601

- Multi-speed slide control.
- 370 CFM internal blower (<300 CFM with ARP6.)
- Heat Sentry™ detects excessive heat and adjusts blower speed to high automatically.
- Two 20-watt halogen lamps included (one level).
- Dishwasher-safe aluminum filters feature a quick-release latch and professional-style appearance.
- Requires separate purchase of a non-ducted kit (RRK51) for indoor exhaust recirculation.
- Ducted/non-ducted telescopic flue accommodates ceiling heights from 8' to 9'. Flue extension for higher ceilings is also available.*
- Install hood so that the bottom of the unit is 24" to 30" above the cooking surface. Mounting height is affected by ceiling height.



SPECIFICATIONS

Width	CFM	Sones	Volts	Amps	Duct
30", 36", 42"	370**	7.0	120	2.6	6" RD

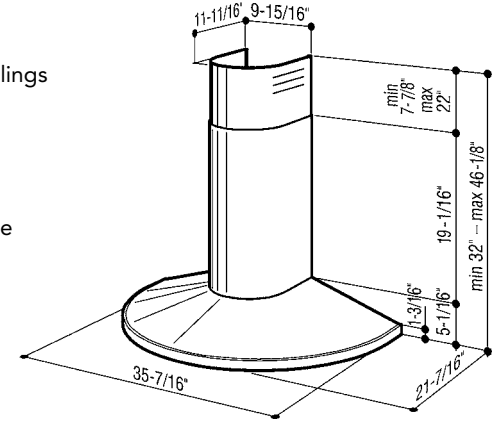
OPTIONAL ACCESSORIES

Ducted Flue Extension*	RFX5204
Non-ducted Flue Extension*	RFXN5204
Non-ducted Kit†	RRK51
Non-ducted Filter	FILTERSQUARE
Make-Up Air Damper	MD6TU, MD8TU, MD10TU

* Optional flue extension for 10' ceiling.
 ** 299 CFM max with ARP6 reducer plate option.
 † Includes non-ducted filter.



- Multi-speed slide control.
- 370 CFM internal blower (<300 CFM with ARP6.)
- Heat Sentry™ detects excessive heat and adjusts blower speed to high automatically.
- Two 20-watt halogen lamps included (one level).
- Dishwasher-safe aluminum filters feature a quick-release latch and professional-style appearance.
- Ducted/non-ducted telescopic flue accommodates ceiling heights from 8' to 9'. Flue extension for higher ceilings is also available.*
- Requires separate purchase of a non-ducted kit (RRK51) for indoor exhaust recirculation.
- Install hood so that the bottom of the unit is 24" to 30" above the cooking surface. Mounting height is affected by ceiling height.



SPECIFICATIONS

Width	CFM	Sones	Volts	Amps	Duct
35-7/16"	370**	7.0	120	2.6	6" RD

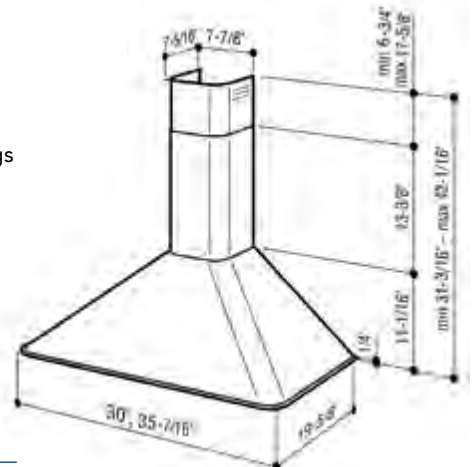
OPTIONAL ACCESSORIES

Ducted Flue Extension*	RFX5104
Non-ducted Kit†	RRK51
Non-ducted Filter	FILTERSQUARE
Make-Up Air Damper	MD6TU, MD8TU, MD10TU

* Optional flue extension for 10' ceiling.
 ** 299 CFM max with ARP6 reducer plate option.
 † Includes non-ducted filter.



- Multi-speed slide control and integrated dual light assembly.
- 290 CFM internal blower
- Heat Sentry™ detects excessive heat and adjusts blower speed to high automatically.
- Dual 40-watt incandescent lamps included (one level).
- Dishwasher-safe aluminum filter features a quick-release latch and professional style appearance.
- Includes non-ducted kit and charcoal filter for indoor exhaust recirculation.
- Ducted/non-ducted telescopic flue accommodates ceiling heights from 8' to 9'. Flue extension for higher ceilings is also available.*
- Non-ducted flue extensions available in stainless steel only.†*
- Install hood so that the bottom of the unit is 24" to 30" above the cooking surface. Mounting height is affected by ceiling height.
- ENERGY STAR® version on page 33.



SPECIFICATIONS

Width	CFM	Sones	Volts	Amps	Duct
30", 36", 42"	290	6.5	120	2.9	6" RD

OPTIONAL ACCESSORIES

Ducted Flue Extension*	RFX5004
Non-ducted Filter	FILTEREB40
Non-ducted Flue Extension in Stainless Steel Only†*	RFXN5004
White Flue Extension	RFX5001
Black Flue Extension	RFX5023

* Optional flue extension for 10' ceiling.
 † Includes non-ducted filter.



Broan Elite E64000

Professional style that fits under any cabinet.



E64000 shown with a custom backsplash.



STAINLESS

600 CFM

30" E6430SS

36" E6436SS

42" E6442SS

48" E6448SS

1200 CFM

48" E6448TSS

EXTERNAL BLOWER

30" E64E30SS

36" E64E36SS

42" E64E42SS

48" E64E48SS

- Brushed stainless steel finish.
- Bright halogen lighting; Two 50-watt bulbs in 30" and 36" widths, Three 50-watt bulbs in 42" and 48" widths (purchase bulbs separately).
- Pro-style, dishwasher-safe baffle filters with removable grease drip rail.
- Variable speed control remembers last setting—blue LED power-on indicator light.
- Heat Sentry™ detects excessive heat and adjusts blower speed automatically.
- Designed to duct out of the hood shell in either horizontal or vertical direction with internal blowers. External blowers duct vertically.
- Designed to work with Broan Automatic Make-Up Air Damper.
- When venting to the exterior is not possible, an optional non-duct kit will filter air through charcoal filters and recirculate it back into the kitchen.

INTERNAL BLOWER SPECIFICATIONS

Width	CFM	Sones Normal Setting ¹	Lamps	Max Amps*	Ducting ²
30"	600	1.5	2-50W GU10	5.0	3-1/4" x 10"
36"					
42"					
48"	1200	2.0	3-50W GU10	9.0	4-1/2" x 18-1/2"
48"					

¹ Sones at high speed for Internal 600-13.5 max; Internal 1200-14.5 max.

² Duct adapter & damper is included with the Internal blowers.

* 120V 60Hz

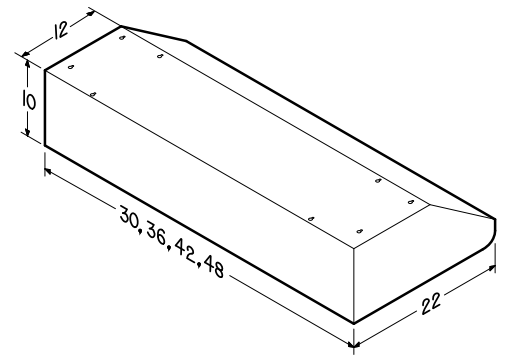
Broan Elite E64000



Pro-style, dishwasher-safe baffle filters with removable grease drip rail. Filters feature handles for convenient removal.



Shown with non-duct recirculating kit and a custom backsplash.



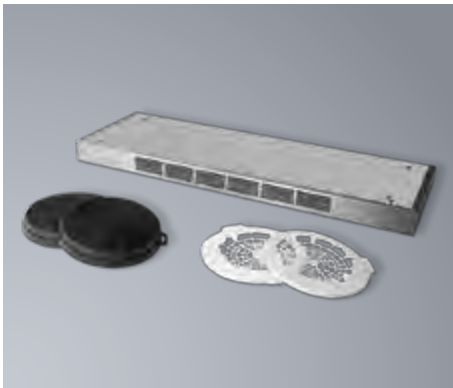
EXTERNAL BLOWER SPECIFICATIONS

Width	CFM ¹ (See pages 52–53)	Sones ²	Lamps	Max Amps [*]	Ducting ³
30"	280–1500	see below	2–50W GU10	5.5	10" RD
36"			3–50W GU10	6.0	
42"					
48"					

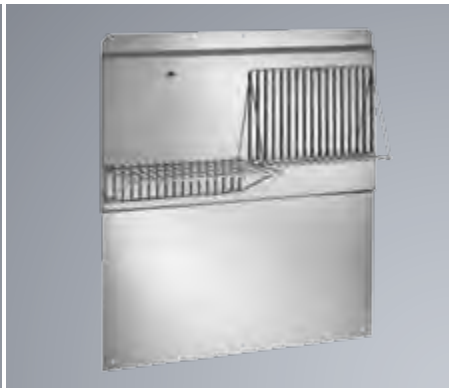
1 See pages 52–53 for Exterior (600–1500 CFM) and Inline (280–1100 CFM) blower specifications.
 2 Sone levels are typically half of comparable CFM internal blowers.
 3 External blower capable models include the 332KR rough-in kit, purchase blowers separately.
 * 120V 60Hz

E64000 OPTIONS

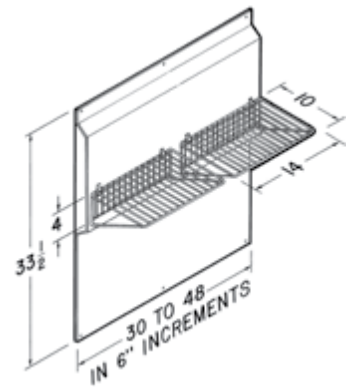
Adapt to any installation.
 Quality Broan Elite options let you create a custom look.



A non-duct kit may be used to recirculate filtered air back into the kitchen if ducting is not practical.



Restaurant-quality stainless steel backsplash with fold-down shelves completes the commercial look and is easy to clean.



E64000 OPTIONS SELECTION TABLE

Width	Non-Duct Kit [†]	Backsplash	Non-ducted Filter [*]	Make-up Air Damper
30"	ANKE60302SS	RMP3004	ROUNDFILTER	MD6T, MD8T, MD10T
36"	ANKE60362SS	RMP3604		
42"	ANKE60422SS	RMP4204		
48"***	ANKE60482SS	RMP4804		

† For models with internal blowers only.
 * Includes non-ducted filters.
 ** Requires two packs for 1200 CFM Blower.


HIGH PERFORMANCE

Broan Elite E60000

Take professional style to new heights.

E60000 shown with optional 12" soffit flue.



-  **STAINLESS**
- 600 CFM
- 30" E6030SS
- 36" E6036SS
- 1200 CFM
- 42" E6042TSS
- 48" E6048TSS
- EXTERNAL BLOWER**
- 30" E60E30SS
- 36" E60E36SS
- 42" E60E42SS
- 48" E60E48SS

- Brushed stainless steel finish.
- Bright halogen lighting; Two 50-watt bulbs in 30" and 36" widths, Three 50-watt bulbs in 42" and 48" widths (purchase bulbs separately).
- Pro-style, dishwasher-safe baffle filters with removable grease drip rail.
- Variable speed control remembers last setting—blue LED power-on indicator light.
- Heat Sentry™ detects excessive heat and adjusts blower speed automatically.
- Designed to duct out of the hood shell in either horizontal or vertical direction with any blower configuration.
- Designed to work with Broan Automatic Make-Up Air Damper.
- When venting to the exterior is not possible, an optional non-duct kit will filter air through charcoal filters and recirculate it back into the kitchen.

INTERNAL BLOWER SPECIFICATIONS

Width	CFM	Sones Normal Setting ¹	Lamps	Max Amps*	Ducting ²
30"	600	1.5	2-50W GU10	5.0	3-1/4" x 10"
36"					
42"	1200	2.0	3-50W GU10	9.0	4-1/2" x 18-1/2"
48"					

¹ Sones at high speed for Internal 600-13.5 max; Internal 1200-14.5 max.

² Duct adapter & damper is included with the Internal blowers.

* 120V 60Hz

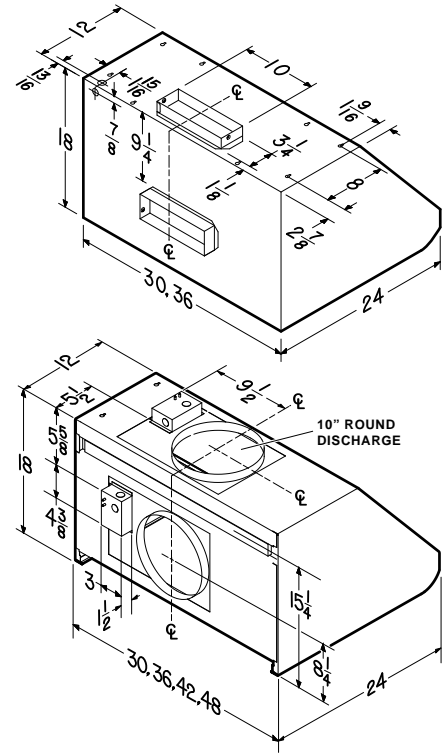
Broan Elite E60000



Pro-style, dishwasher-safe baffle filters with removable grease drip rail. Filters feature handles for convenient removal.



E60000 shown with non-duct recirculating kit.



EXTERNAL BLOWER SPECIFICATIONS

Width	CFM ¹ (See pages 52–53)	Sones ²	Lamps	Max Amps [*]	Ducting ³
30"	280–1500	see below	2–50W GU10	5.5	10" RD
36"			3–50W GU10	6.0	
42"					
48"					

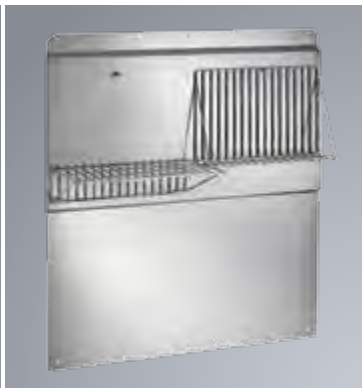
1 See pages 52–53 for Exterior (600–1500 CFM) and Inline (280–1100 CFM) blower specifications.
 2 Sone levels are typically half of comparable CFM internal blowers.
 3 External blower capable models include the 332KR rough-in kit, purchase blowers separately.
^{*} 120V 60Hz

E60000 OPTIONS

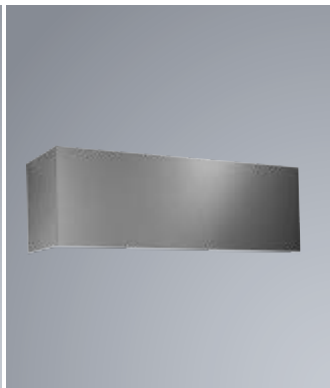
Adapt to any installation.
 Quality Broan Elite options let you create a custom look.



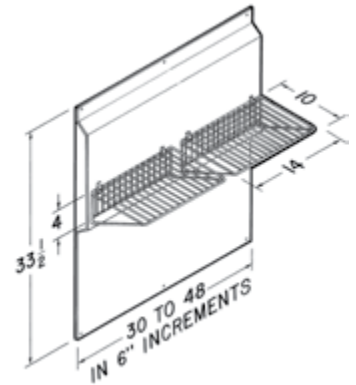
A non-duct kit may be used to recirculate filtered air back into the kitchen if ducting is not practical.



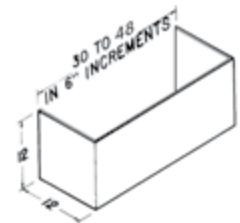
Restaurant-quality stainless steel backsplash with fold-down shelves completes the commercial look and is easy to clean.



Optional matching soffit chimney on the E60000 extends the commercial look in kitchens with ceilings up to 8 feet high.



Backsplash



E60000 12" soffit flue cover

E60000 OPTIONS SELECTION TABLE

Width	Non-Duct Kit [†]	12" Soffit Flue Cover	Backsplash	Non-ducted Filter [*]	Make-up Air Damper
30"	ANKE60302SS	AEE60302SS*	RMP3004	ROUNDFILTER	MD6T, MD8T, MD10T
36"	ANKE60362SS	AEE60362SS*	RMP3604		
42"	ANKE60422SS	AEE60422SS*	RMP4204	ROUNDFILTER**	
48"***	ANKE60482SS	AEE60482SS*	RMP4804		

[†] For models with internal blowers only.
^{*} Includes non-ducted filters.
^{**} Requires two packs for 1200 CFM Blower.
^{***} Requires two packs for 1200 CFM Blower.


HIGH PERFORMANCE

Broan Elite Pro Outdoor EPD61

Extra deep design and improved performance for best-in-class capture.



EPD61 shown with optional 3" wall extension and 16" flue cover.

 **STAINLESS**
 36" EPD6136SS
 48" EPD6148SS
 60" EPD6160SS

- Professional outdoor design.
- Deep 27" depth to handle heat and size of outdoor gas grills (optional 3" wall extension).
- Brushed corrosion resistant stainless steel.
- Two widths: 36" and 48".
- Powerful 1100 CFM internal blower.
- Bright halogen lighting; two in 36", three in 48" model (bulbs not included).
- Three-speed rotary control designed to resist the effects of heat and moisture.
- Stainless steel baffle filters.
- Heat Sentry™ detects excessive heat and adjusts blower speed automatically.
- HVI certified performance.

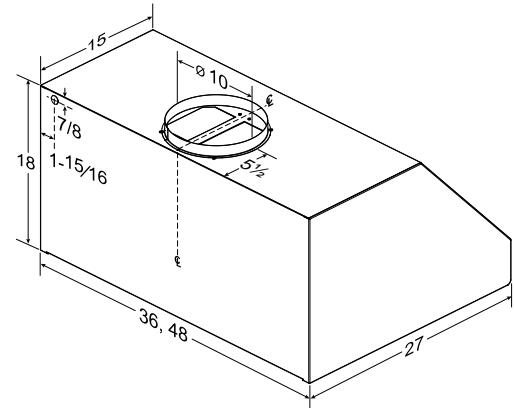
INTERNAL BLOWER SPECIFICATIONS

Width	CFM	Blower	Sones	Volts	Max Amps	Duct
30"	1100	Internal	12	120	9.0	10" RD
48"						
60"						

Broan Elite Pro Outdoor EPD61



1100 CFM Internal Blower tested to assure operation in corrosive environments.



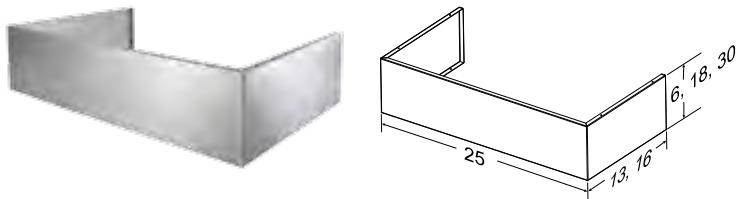
EPD61 OPTIONS

Flue covers are available in corrosion resistant stainless steel and attach to the top of the range hood shell. Flue covers come in 6", 18" and 30" heights. Deeper flue covers are available for hoods using the 3" wall extension.

FLUE COVER SPECIFICATIONS

Heights	Flue Cover 13" (Standard Depth)	Flue Cover 16" (Extended Depth)
6" for 8' ceiling	AEEP6SS	AEEP6SSE
18" for 9' ceiling	AEEP18SS	AEEP18SSE
30" for 10' ceiling	AEEP30SS	AEEP30SSE

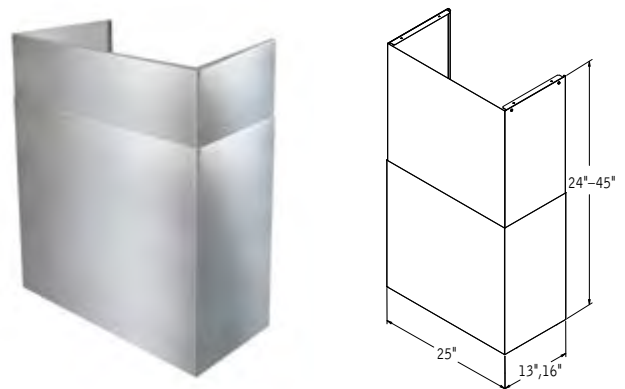
Corrosion resistant stainless steel.



TELESCOPIC FLUE COVER SPECIFICATIONS

Heights	Flue Cover 13" (Standard Depth)	Flue Cover 16" (Extended Depth)
24"-45" for 9-1/2'-11-1/2' ceiling	AEEP2445SS	AEEP2445SSE

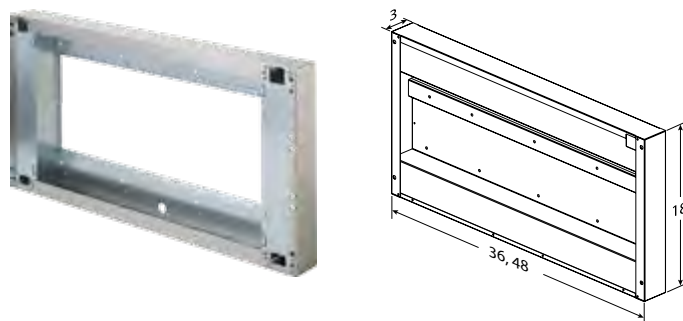
Corrosion resistant stainless steel.



3" WALL EXTENSION

Width	Model
30"	AWEPD36SS
48"	AWEPD48SS
60"	AWEPD60SS

Optional 3" wall extension extends hood depth to 30" for even greater coverage; expensive custom wall bump-out is eliminated.



HIGH PERFORMANCE



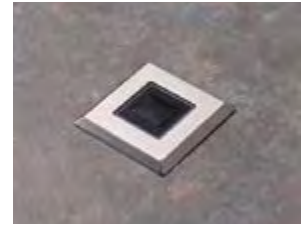
BUILT-IN

There when needed—hidden when not. Enjoy powerful ventilation at the touch of a button. Add a downdraft to an island installation—raise it when cooking, lower it when entertaining. Hide a power pack in custom cabinetry for a completely hidden solution. You have a vision. Broan will help you see it through.



Broan Elite RMDD Downdraft

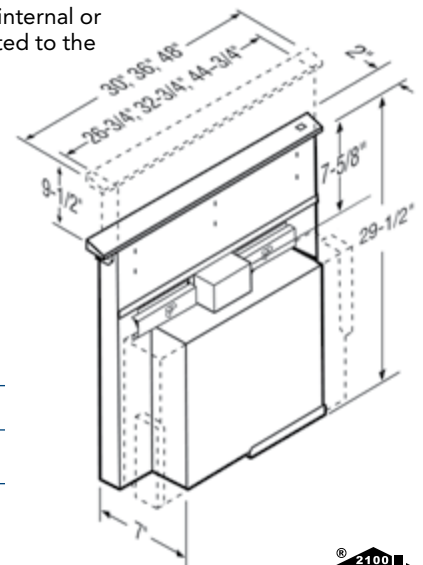
Ready where and when you need it. Rises to new heights to meet the needs of high-end commercial style cooking.



RMDDRBK Remote Control
Optional remote control will activate downdraft from an alternate location.

	STAINLESS
	INTERNAL BLOWER
	30" RMDD3004
	36" RMDD3604
	48" RMDD4804
	EXTERNAL BLOWER
	30" RMDD3004EX
	36" RMDD3604EX
	48" RMDD4804EX

- Compact design is installed directly behind the cooktop for an unobtrusive appearance. Thin profile saves precious space under the cabinet.
- Chimney rises over 9-1/2" when activated, ideal for large pots and pans.
- Infinitely adjustable control is designed to provide convenient access to govern the blower speed for effective and quiet operation.
- Optional remote control will activate downdraft from an alternate location.
- Heat Sentry™ detects excessive heat and adjusts blower speed to high automatically.
- Dishwasher-safe filters are easy to remove and feature a stylish brushed stainless steel appearance for a professional look.
- These units are not for installations behind ovens.
- Internal 500 CFM centrifugal blower or choice of eight External blower options: four Exterior blowers from 600 to 1500 CFM, or four In-Line blowers from 280 to 1100 CFM. See pages 52–53.
- Unique ducting capability allows the internal or remote blower connection to be ducted to the left, right or downward.



SPECIFICATIONS

SPECIFICATIONS						OPTIONAL ACCESSORIES		
Width	Blower	CFM	Sones	Volts	Amps	Duct	Remote Button Kit	Make-Up Air Damper
30", 36", 48"	Internal	500*	—	120	4	3-1/4" x 10"	RMDDRBK	MD6TU, MD8TU, MD10TU
	External†	—			6	3-1/4" x 14"		

† External and In-Line blowers sold separately.
* 299 CFM max with ARP310 reducer plate option.




BUILT-IN



27000/28000 Downdraft

Convenient options help assure a custom fit. For the unique demands of cooktops in islands and peninsulas.



-  **STAINLESS**
- INTERNAL BLOWER**
- 30" 273003
- 36" 273603
- EXTERNAL BLOWER***
- 30" 283003
- 36" 283603
-  **BLACK**
- OPTIONAL COVER**
- 30" 273023C
- 36" 273623C
-  **WHITE**
- OPTIONAL COVER**
- 30" 273001C
- 36" 273601C

- Innovative downdraft system is compatible with virtually all self-contained cooktops.
- Sleek, trim styling complements any cooktop style or color.
- Automatically raises into position with the touch of a button. Disappears flush with cooktop surface.
- Space-saving design lets you make the most of precious, under-counter cabinet space.
- Infinitely adjustable speed control is flush with the side of the unit; inconspicuous, yet easy to reach and simple to use.
- Model 27000 Blower discharges right, left or down and slides side-to-side to ease installation.
- These units are not for installations behind ovens.
- Stainless Steel cover standard. White or Black optional.

SPECIFICATIONS

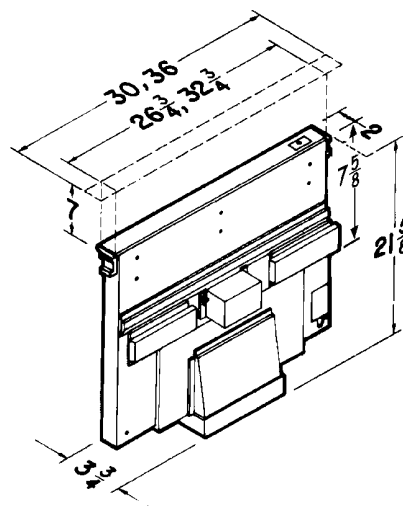
Width	CFM	Volts	Amps	Duct
30", 36"	500 ⁺	120	4	3-1/4" x 10"
	*		6.0 max	3-1/4" x 10" [†]

+ 299 CFM max with ARP310 reducer plate option.

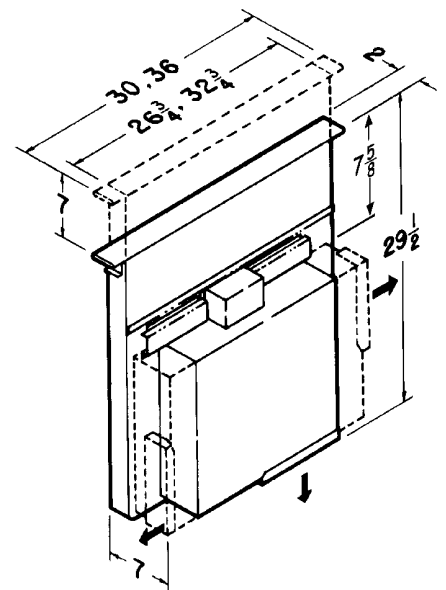
* External unit utilizes model 332H Exterior-mounted blower. In-Line blower sold separately.

** Cooktops, countertops and cabinets vary in dimension and support systems depending upon manufacturer. These factors may impact the ability to fit with every worktop/cabinet combination. Specifications subject to change without notice.

† Model 28000 requires transitioning from 3-1/4" x 10" to 10" round for connection to the External blower.



Model 28000
Use with 900 CFM Exterior blower (Model 332H) or In-Line blower.



Model 27000
Includes 500 CFM Internal blower (<300 CFM with ARP310).

Broan Elite RMP1/RMPE Custom Power Pack

The Broan Elite Custom Power Pack is designed to fit flush with the bottom of a cabinet or custom hood that's 30" to 48" wide. The 400 CFM centrifugal blower is combined with a multi-speed control to provide quiet, effective performance. Halogen lighting complements the beauty of a fully enclosed bottom containing dishwasher-safe filters.



Liner is 4" in depth



RMP1 shown concealed in custom cabinetry.



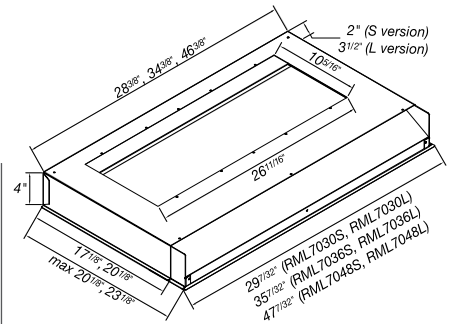
STAINLESS

INTERNAL BLOWER

27-9/16" RMP17004

EXTERNAL BLOWER

27-9/16" RMPE7004



RML7030S/RML7030L
RML7036S/RML7036L
RML7048S/RML7048L

For RMP17004 and RMPE7004 Packs

- Multi-speed control.
- Heat Sentry™ detects excessive heat and adjusts blower speed to high automatically.
- 400 CFM internal blower (<300 CFM with ARP6).
- External blower model (RMPE) allows a choice of eight blower options: four Exterior: 600, 900, 1200 or 1500 CFM, or four In-Line: 280, 600, 800 or 1100 CFM.
- Two 50-watt halogen lamps included.

- Dishwasher-safe aluminum filters feature a quick-release latch and professional-style appearance.
- Optional non-ducted filters (FILTEREB40) for indoor exhaust recirculation, some ductwork required (RMP17004 only).
- Install power pack so that the bottom of the unit is 24" to 30" above the cooking surface.
- Optional custom hood liners in 30", 36" and 48" widths.

SPECIFICATIONS

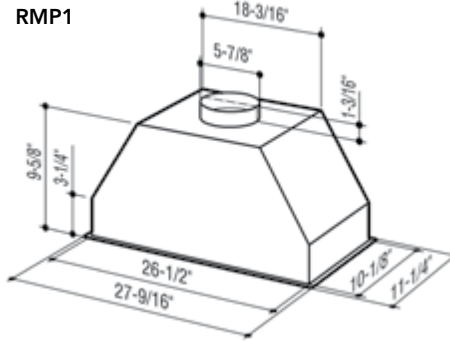
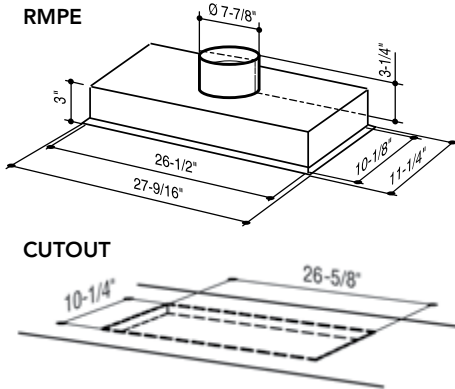
SPECIFICATIONS						OPTIONAL ACCESSORIES		
Width	Blower	Volts	Amps	CFM	Sones	Duct	Non-ducted Filter	Make-up Air Damper
27-9/16"	Internal	120	3.5	400	9	6" RD	FILTEREB40	MD6TU, MD8TU, MD10TU
	External†			†		—		

† External blowers sold separately.

* All blowers are HVI Certified.

Some ductwork required for RMP1 non-ducted installations.

† 299 CFM max with ARP6 reducer plate option.



3-Step Power Pack and Blower Guide

1. Select a Power Pack system

RMP17004, 400 CFM Internal blower

- 27-9/16" width, 11-1/4" depth

RMPE7004, 280–1500 CFM External blower options

- 27-9/16" width, 11-1/4" depth

2. Select a Liner to fit your cabinetry

If the cabinet/hood inside depth is 18"–21", choose model:

- **RML7030S** for 30" width
- **RML7036S** for 36" width
- **RML7048S** for 48" width

If the cabinet/hood inside depth is 21"–24", choose model:

- **RML7030L** for 30" width
- **RML7036L** for 36" width
- **RML7048L** for 48" width

3. Select an Internal or External Blower

RMP17004,

Internal 400 CFM blower is included

RMPE7004,

External blower options (choose one):

Exterior blowers (outside, roof or wall):

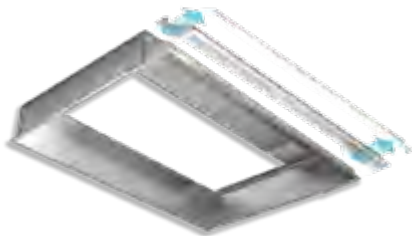
- **331H** (600 CFM)*
- **335** (1200 CFM)*
- **332H** (900 CFM)*
- **336** (1500 CFM)*

In-Line blowers (inside, attic or other space):

- **HLB3** (280 CFM)
- **HLB11** (1100 CFM)*
- **HLB6** (600 CFM)*
- **HLB9** (800 CFM)*

* 8"–10" transition (model 414) is required for the Exterior or In-Line models.

Liners for RMP1/RMPE Power Pack



Broan Elite Liners provide a beautiful way to finish your custom hood and protect your cabinetry. Designed to work with Broan Elite Pro-Insert and Power Packs, liners feature a 3" adjustable nose to provide application flexibility, and a 4" depth for excellent capture.

- Brushed stainless steel finish.
- Liners protect custom hoods and are available for 30", 36" and 48" widths.
- Two versions for maximum flexibility in depth adjustment:
"S" version adjusts 17-1/8"–20-1/8".
"L" version adjusts 20-1/8"–23-1/8".

- Liners are based on the outside width of the custom hood.

Broan Elite RMIP Pro-Style Insert

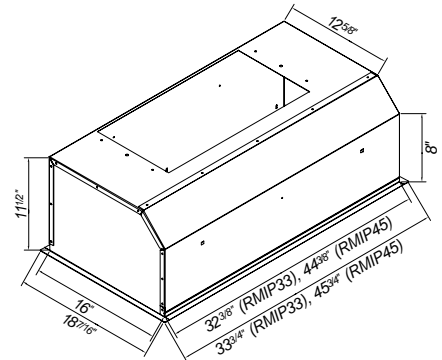
The Broan Elite RMIP Pro-Style Insert fits flush with the bottom of the cabinet or custom hoods. Centrifugal blowers from 500 to 1500 CFM with multi-speed control provide quiet and effective performance. Halogen lighting complements the beauty of its fully-enclosed, easy-to-clean bottom.



Shown with optional baffle filters. Liner is 4" in depth



RMIPWC Optional Wall Control



430 STAINLESS
33-3/4" RMIP33
45-3/4" RMIP45

- Brushed stainless steel finish.
- Design allows use with custom liners or Broan Elite Pro-Style Insert liners (sold separately).
- Pro-Style Insert available in 33" and 45" widths.
- Variable speed control for quiet operation.
- Optional remote wall control available.
- Heat Sentry™ detects excessive heat and adjusts blower speed to high automatically.
- Dishwasher-safe stainless steel/aluminum filters, or optional baffle filters.
- Bright halogen lighting, two 50-watt lamps (RMIP33) or three 50-watt lamps (RMIP45), bulbs not included.
- Choose 460 or 850 CFM Internal, or choice of eight External blower options: four Exterior: 600, 900, 1200 or 1500 CFM, or four In-Line: 280, 600, 800 or 1100 CFM. All blowers sold separately.
- Optional liners in 36", 42", 48" and 60" widths protect custom hoods.

3-Step Insert and Blower Selection Guide

1. Select the right size Pro-Style Insert

- **RMIP33** (33" width) or **RMIP45** (45" width)
- Both feature an 18-7/16" depth
- 460 or 850 CFM Internal blower options
- 280-1500 CFM External blower options

2. Select a Liner to fit your cabinetry

For cabinet/hood inside depths of 23"-26" choose:

- **RML3336S** 36" width, use with **RMIP33**
- **RML3342S** 42" width, use with **RMIP33**
- **RML4548S** 48" width, use with **RMIP45**
- **RML4560S** 60" width, use with **RMIP45**

3. Select a blower for your Insert

Internal blowers:

- **P5** (460 CFM)
- **P8** (850 CFM)

Exterior blowers (outside, roof or wall):

- **331H** (600 CFM)*
- **332H** (900 CFM)*
- **335** (1200 CFM)*
- **336** (1500 CFM)*

In-Line blowers (inside, attic or other space):

- **HLB3** (280 CFM)
- **HLB6** (600 CFM)*
- **HLB9** (800 CFM)*
- **HLB11** (1100 CFM)*

* 332KR Rough-In Kit is required when used with Exterior and In-Line blower options above (purchased separately).

SPECIFICATIONS*

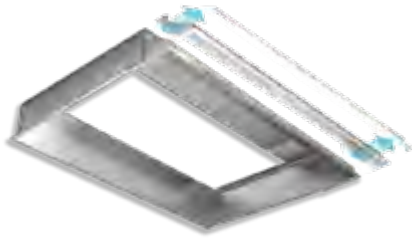
Width	Blower*	Amps	CFM	Sones	OPTIONAL ACCESSORIES		
					Internal Baffle Filter Kit	Wall Control	Make-up Air Damper
33-3/4"	Internal	3.5	460 (P5), 850 (P8)	10.5	RBFIP33	RMIPWC	MD6TU, MD8TU, MD10TU
	External		*				
45-3/4"	Internal		460 (P5), 850 (P8)		RBFIP45		
	External		*	10.5			

* All blowers must be purchased separately and are HVI Certified.

See blower specifications table on pages 52-53.

▲ All ratings for vertical duct only.

Liners for the RMIP Pro-Style Insert

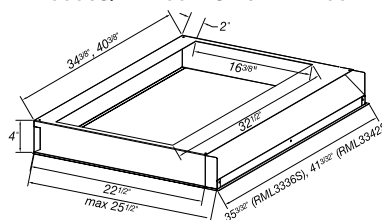


Broan Elite Liners provide a beautiful way to finish your custom hood and protect your cabinetry. Designed to work with Broan Elite Pro-Insert and Power Packs, liners feature a 3" adjustable nose to provide application flexibility, and a 4" depth for excellent capture.

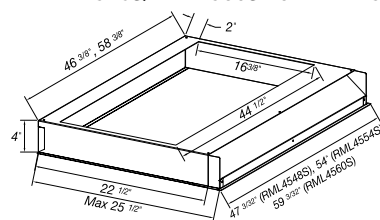
- Brushed stainless steel finish.
- Liners are available for 36", 42", 48" and 60" widths.
- Liners allow depth adjustment from 22-1/2" to 25-1/2". Fits stock 24" cabinets.

- Liners are based on the outside width of the custom hood.
- All models compliant with CA Title 24.

RML3336S/RML3342S For RMIP33



RML4548S/RML4560S For RMIP45



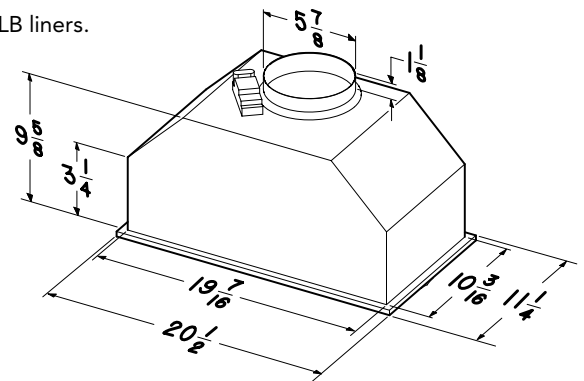
Broan Elite PM500SS

The PM500SS delivers the features you expect and the power you need. Serious cooks will appreciate the full surface coverage of the halogen lighting. Smooth surfaces and quick-release filters clean easily.



STAINLESS
20-1/2" PM500SS

- 500 CFM, 9.0 sones, HVI Certified.
- Three-speed, push-button control includes a dedicated on/off.
- Dual halogen bulbs with single light level for bright cooktop lighting (Type JC, 12V, 20W, G4 base), included.
- 6" round duct.
- Easy-to-clean, fully enclosed bottom with dishwasher-safe, aluminum-mesh filters.
- Optional non-duct operation using 359NDK non-duct kit and charcoal filter, sold separately.
- Works with optional Universal Make-up Air Dampers.
- Works with optional LT and LB liners.



SPECIFICATIONS

Width	Blower	CFM	Sones	Volts	Amps	Duct
20-1/2"	Internal	500	9.0	120	2.8	6" RD

OPTIONAL ACCESSORIES

Non-Duct Kit	359NDK
Non-Duct Charcoal Filter	99010374
Aluminum Filter	B08087039
Halogen Bulb	Type JC 12V 20W G4
Fresh Air Inlets	641FA, 643FA, 610FA
30" Painted Liners	LT30 or LB30
36" Painted Liners	LT36 or LB36
30" Stainless Steel Liners	RML5230S
Make-up Air Dampers	MD6TU, MD8TU, MD10TU

Custom Hood Kit

Ultimate ventilating solution for custom range hood designs. The Custom Hood Kit is the perfect match of high performance ventilation and adjustable construction.



The Custom Hood Kit is completely concealed in custom cabinetry.



BLACK
28-7/8" 103023

- Fits into custom cabinetry from 30" to 42" wide.*
- Powerful, quiet 360 CFM/5.0 sone performance (vertical discharge only).
- 24" fluorescent tube lighting (bulb not included).
- Heat Sentry™ detects excessive heat and adjusts blower speed to high automatically.
- For ducted installations, includes damper/adapter for 3-1/4" x 10" duct.
- Must order model 103123 Rough-In Kit.

SPECIFICATIONS

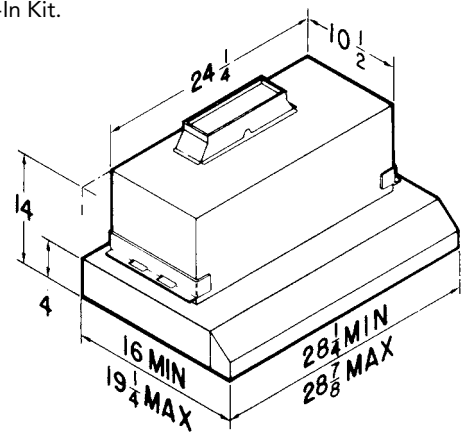
SPECIFICATIONS							OPTIONAL ACCESSORIES	
Width	Rough-in Kit	CFM	Sones	Volts	Amps	Duct	Flourescent Bulb	F20T12
28-7/8"	103123	360	5.0	120	3.7	3-1/4" X 10"	Extension Kit	97009790
							Make-up Air Damper	MD6TU, MD8TU, MD10TU

Flourescent Tube: 24", F20T12 (not included).

* For installations up to 36" order extension kit No. 97009790.

Otherwise, installations up to 42" require custom fabricated metal liners.

** Duct vertical only.



PM390/PM250

Custom Hood Power Packs And Modules

High-performance ventilation solutions. These integrated units provide the ventilation and lighting you need for your custom application.



Model PM390 shown.

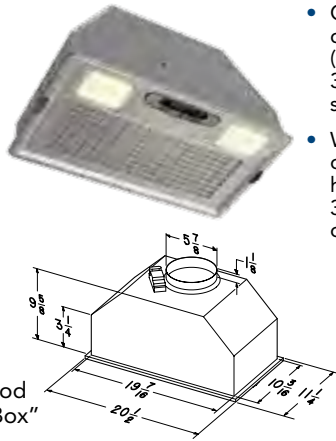


Power Packs and Modules are completely concealed in custom cabinetry.

SILVER
20-1/2" PM390
20-1/2" PM250

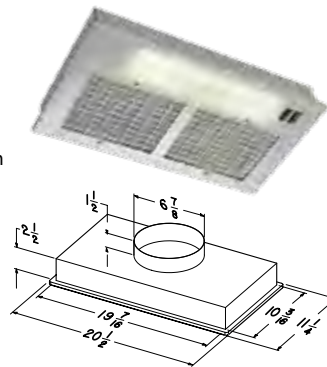
MODEL PM390

- Silver paint finish.
- Three speed, slide control.
- Heat Sentry™ detects excessive heat and adjusts speed automatically.
- Quiet centrifugal blower, 390 CFM (vertical discharge) (<300 CFM with ARP6).
- Dual 40-watt lamps (purchase separately).
- Dishwasher safe aluminum filter.
- For ducted installations, includes adapter and damper for 6" round duct.
- Optional non-ducted filter kit (purchase 357NDK separately).
- Works with optional custom hood liners in 30", 36", "Box" or "T" design.
- ENERGY STAR® version on page 33.



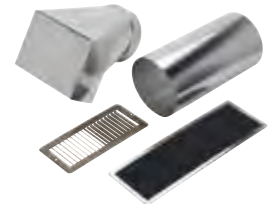
MODEL PM250

- Silver paint finish.
- Two speed motor, rocker control.
- Efficient 250 CFM fan (vertical discharge).
- Dual 40-watt lighting (purchase lamps separately).
- Dishwasher safe aluminum filter.
- For ducted installations, built-in adapter for 7" round duct.
- Optional non-ducted filter kit (purchase 356NDK separately).
- Works with optional custom hood liners in 30", 36", "Box" or "T" design.

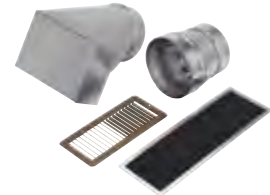


NON-DUCT KITS

MODEL 356NDK

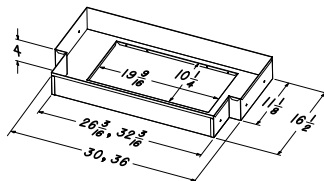


MODEL 357NDK

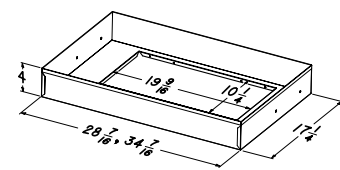


Depending on your installation of the non-duct system, you may need additional duct or duct components (e.g., elbows).

PM390 & PM250 Liners: Broan "T" and "B" liners provide an elegant way to finish a traditional wood hood and protect cabinetry. They feature a durable silver painted finish and a 4" depth for good capture. Hemmed edges hide exposed edges, and pre-drilled mounting holes make installation easy.



LT30 & 36 "T" liners work with wood hoods that are integrated with adjacent 12" deep cabinets.



LB30 & 36 "B" (box) liners fit into 18" deep wood hoods or cabinet bottoms.

SPECIFICATIONS

SPECIFICATIONS					OPTIONAL ACCESSORIES						
Width	CFM	Sones	Volts	Amps	Duct	Non-ducted Kit†	Aluminum Filter	Charcoal Filter	30" Liners	36" Liners	Make-up Air Damper
20-1/2"	390*	6.0	120	2.9	6" RD	357NDK	99010370	B08999040	LT30 or LB30	LT36 or LB36	MD6TU, MD8TU, MD10TU
	250	8.0		2.1	7" RD	356NDK					

† Includes charcoal filter. Some duct work is required for non-ducted applications.
* 299 CFM max with ARP310 reducer plate option.





ENERGY STAR®

Broan makes it easy to go green with a variety of ENERGY STAR® certified range hoods. With efficient motor designs as well as LED and compact fluorescent lighting options, these range hoods meet the program requirements of USGBC®, LEED® and NAHB.

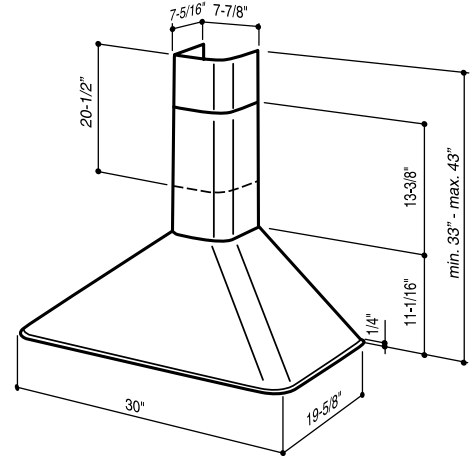


Broan Elite RME50000



Beautiful, yet attainable. European design with tremendous value to meet the requirements of today's conventional appliance and kitchen styles.

- Three-speed slide control and integrated dual fluorescent light assembly.
- 290 CFM at maximum speed.
- 0.5 Sones at normal speed (135 CFM).
- Heat Sentry™ detects excessive heat and adjusts blower speed to high automatically.
- Dual 13-watt fluorescent lamps included (one level).
- Dishwasher-safe aluminum filter features a quick-release latch and professional style appearance.
- Ducted telescopic flue accommodates ceiling heights from 8' to 9'. Extension flues for 10' ceilings are also available.
- Install hood so that the bottom of the unit is 24" to 30" above the cooking surface. Mounting height is determined by ceiling height.



STAINLESS
30" RME5030SS

SPECIFICATIONS

Width	CFM Normal/High	Sones Normal Setting	Sones High Setting	Volts	Amps	Duct	Flue Extension* Stainless Steel
30"	135/290	0.5	5.5	120	2.86	6" RD	RFX5004

OPTIONAL ACCESSORIES

*Optional flue extension for 10' ceiling.



PME300

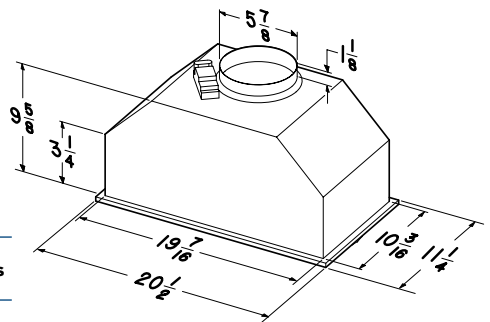


ENERGY STAR® efficiency, for custom applications provides the ventilation and lighting you need in one integrated package.

- Silver paint finish.
- Three speed, slide control.
- Heat Sentry™ detects excessive heat and adjusts speed automatically.
- Quiet centrifugal blower, 290 CFM (vertical discharge).
- 0.5 Sones at normal speed (130 CFM).
- Dual 13-watt fluorescent lamps included.
- Dishwasher safe aluminum filter.
- For ducted installations, includes adapter and damper for 6" round duct.
- Works with optional custom hood liners in 30", 36", "Box" or "T" design.



SILVER
20-1/2" PME300



SPECIFICATIONS

Width	CFM Normal/High	Sones Normal Setting	Sones High Setting	Volts	Amps	Duct	Aluminum Filter	30" Liners	36" Liners
20-1/2"	130/290	0.5	5.0	120	2.9	6" RD	B08087694	LT30 or LB30	LT36 or LB36

OPTIONAL ACCESSORIES



Glacier BCSEK1

The clean, contemporary shape of Glacier complements any kitchen design. Impressive ENERGY STAR® certified LED lighting and superior smoke and odor removal are a mere introduction to everything this hood has to offer.

NEW



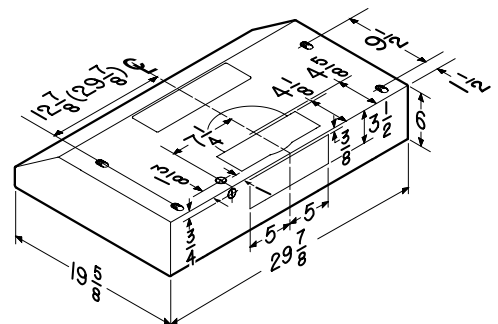
-  **STAINLESS**
30" BCSEK130SS
-  **BLACK**
30" BCSEK130BL
-  **WHITE**
30" BCSEK130WW
-  **SLATE** (shown, available mid-June)
30" BCSEK130SL

- The Captur™ system's advanced blower design features a forward positioned centric inlet to remove smoke and odor faster. A smooth-flow blower wheel and high flow filters ensure quiet operation.
- 250 CFM blower operates at 1.5 sones at normal speed.
- Bright, single intensity LED modules—supported by a 3-year warranty—illuminate evenly and are tested in cooking environments to ensure long life without dimming. ENERGY STAR® certification saves energy expense.
- Hidden two-speed on/off rocker switch.
- Dual dishwasher-safe, open-mesh filters provide efficient grease removal.
- EZ1 brackets make it easy for single-person installation in less than half the time of traditional methods.
- ADA compliant, remote operation is possible using a standard UL approved wall switch.
- Non-duct capable with use of charcoal filters, sold separately. Hidden louvers on top of hood exhaust away from cabinetry.

Captur™
For faster smoke and odor removal.

SPECIFICATIONS

Width	High CFM	Normal Sones	Volts	Amps	Duct	OPTIONAL ACCESSORIES
30"	250	1.5	120	.65	3-1/4 x 10" (V, H) 7" RD (V only)	Non-ducted Charcoal Filter HPF30 (Type Xc)






Sahale BKDEG1

The slim and refined lines of Sahale bring a refreshing change to today's kitchens. Bright ENERGY STAR® certified LED lighting complements your cooking experience and three fan speeds make cooking more enjoyable.

NEW



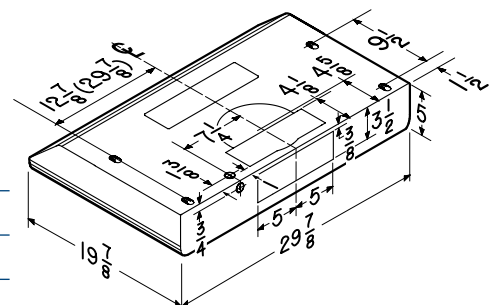
-  **STAINLESS**
30" BKDEG130SS
-  **BLACK**
30" BKDEG130BL
-  **WHITE**
30" BKDEG130WW

- The Captur™ system's advanced blower design features a forward positioned centric inlet to remove smoke and odor faster. A smooth-flow blower wheel and high flow filters ensure quiet operation.
- 300 CFM blower operates at 1.2 sones at normal speed.
- Bright, two-level LED modules—supported by a 3-year warranty—illuminate evenly and are tested in cooking environments to ensure long life without dimming. ENERGY STAR® certification saves energy expense.
- Tap-touch, three-speed capacitive control features a smooth, easy-to-clean surface.
- Dishwasher-safe, deluxe micro-mesh filters provide highly efficient grease removal and patterned cover provides a decorative complement to the hood design. The filter clean reminder ensures they will always maintain a high level of capture.
- EZ1 brackets make it easy for single-person installation in less than half the time of traditional methods.
- ADA compliant, remote operation is possible using a standard UL approved wall switch. Requires ADA Adapter Kit. Available in June.
- Non-duct capable with use of charcoal filters, sold separately. Hidden louvers on top of hood exhaust away from cabinetry.

Captur™
For faster smoke and odor removal.

SPECIFICATIONS

Width	High CFM	Normal Sones	Volts	Amps	Duct	OPTIONAL ACCESSORIES	
30"	300	1.5	120	.65	3-1/4 x 10" (V, H) 7" RD	Non-ducted Charcoal Filter	ADA Electronic Adapter Kit
						HPF30 (Type Xc)	HAWRK3



ENERGY STAR®





UNDER CABINET

Every kitchen needs adequate ventilation matched to your cooking style, and your unique sense of style. That's why Broan redesigned nearly every hood in our popular under cabinet category. For style, LED lighting, control options and more, start here.



Spire BPDP1

Broan brings you Spire, an exciting new shape in a pro-style hood. The new design incorporates modern features like the quiet Captur™ system and LED lighting.

NEW



- STAINLESS**
- 30" BPDP130SS
 - 36" BPDP136SS
 - 42" BPDP142SS
 - 48" BPDP148SS

- The Captur™ system's advanced blower design features a forward positioned centric inlet to remove smoke and odor faster. Two-speed blower control exhausts at a strong 400 CFM.
- Smooth-flow blower wheel design and high flow filters ensure quiet, <0.5 sone operation at normal speed.
- Bright, single intensity LED modules—supported by a 3-year warranty—illuminate evenly and are tested in cooking environments to ensure long life without dimming.
- Streamlined, deluxe 2-speed rocker control operates light and fan speeds.
- Pro-style, dishwasher-safe, hybrid baffle filters provide ultra-efficient grease removal with superior air flow.
- EZ1 brackets make it easy for singleperson installation in less than half the time of traditional methods.
- ADA compliant, remote operation is possible using a standard UL approved wall switch.
- Non-duct capable with use of charcoal filters, sold separately. Hidden louvers on top of hood exhaust away from cabinetry.

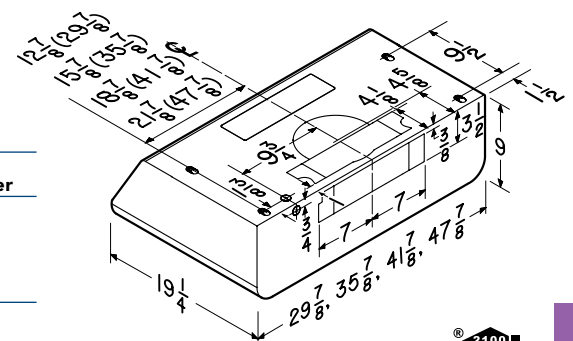
Captur™
For faster smoke and odor removal.

SPECIFICATIONS

Width	CFM	Sones	Volts	Amps	Duct
30"	400	0.3	120	1.4	3-1/4" x 10" (V, H) 7" RD
36"					
42"					
48"					

OPTIONAL ACCESSORIES

Non-Ducted Charcoal Filter	Make-up Air Damper
HPF24 (Type Xb)	MD6TU, MD8TU, MD10TU
HPF30 (Type Xc)	
HPF36 (Type Xd)	
HPF42 (Type Xe)	



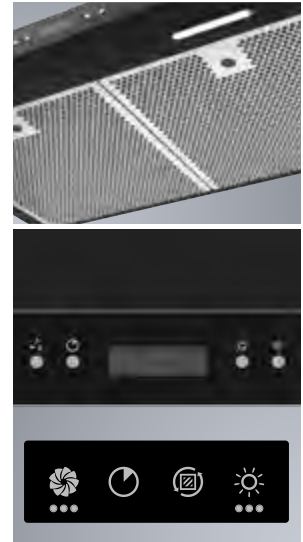
UNDER CABINET



Glacier BCDJ1

The luxury of an LCD display and deluxe micro-mesh filters will make any meal preparation delightful. And, the Glacier range hood's contemporary shape complements any kitchen design.

NEW



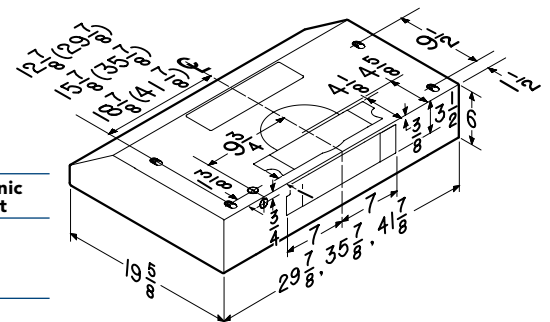
- STAINLESS**
 - 30" BCDJ130SS
 - 36" BCDJ136SS
 - 42" BCDJ142SS
- BLACK**
 - 30" BCDJ130BL
 - 36" BCDJ136BL
- WHITE**
 - 30" BCDJ130WH
 - 36" BCDJ136WH

- The Captur™ system's advanced blower design features a forward positioned centric inlet to remove smoke and odor faster. A smooth-flow blower wheel and high flow filters ensure quiet operation.
- A strong 400 CFM blower operates at <1.0 sone operation at normal speed.
- Bright, three-level LED modules—supported by a 3-year warranty—illuminate evenly and are tested in cooking environments to ensure long life without dimming.
- Three-speed electronic pushbutton control incorporates an LCD display to show hood status for fan and light setting, filter clean reminder, Heat Sentry™ and delay off.
- Broan Heat Sentry™ detects excessive heat and adjusts the blower speed to prolong the life of the product and provide proper ventilation.
- Dishwasher-safe, deluxe micro-mesh filters provide highly efficient grease removal and patterned cover provides a decorative complement to the hood design. The filter clean reminder ensures they will always maintain a high level of efficiency.
- EZ1 brackets make it easy for single-person installation in less than half the time of traditional methods.
- ADA compliant, remote operation available in August.
- Non-duct capable with use of charcoal filters, sold separately. Hidden louvers on top of hood exhaust away from cabinetry.

Captur™
For faster smoke and odor removal.

SPECIFICATIONS

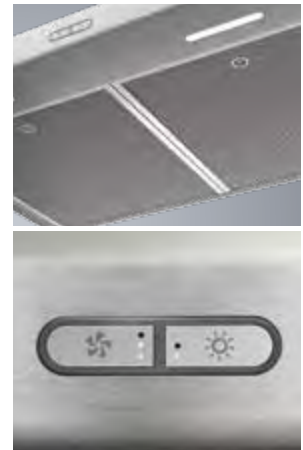
Width	CFM	Sones	Volts	Amps	Duct	OPTIONAL ACCESSORIES	
30"	400	1.0	120	1.4	3-1/4" x 10" or 7" RD	Non-Ducted Charcoal Filter	ADA Electronic Adapter Kit
36"						HPF30 (Type Xc)	HAWRK3
42"						HPF36 (Type Xd)	
						HPF42 (Type Xe)	



Glacier BCDF1

The clean, contemporary shape of Glacier complements any kitchen design. Impressive LED lighting and superior smoke and odor removal are a mere introduction to everything this hood has to offer.

NEW



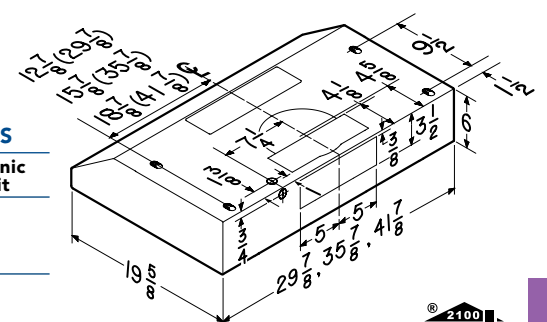
- BLACK STAINLESS**
30" BCDF130BLS
36" BCDF136BLS
- STAINLESS**
30" BCDF130SS
36" BCDF136SS
42" BCDF142SS

- The Captur™ system's advanced blower design features a forward positioned centric inlet to remove smoke and odor faster. A smooth-flow blower wheel and high flow filters ensure quiet operation.
- 300 CFM blower operates at 1.2 sones at normal speed.
- Bright, two-level LED modules—supported by a 3-year warranty—illuminate evenly and are tested in cooking environments to ensure long life without dimming.
- Tap-touch, three-speed capacitive control features a smooth, easy-to-clean surface.
- Dishwasher-safe, micro-mesh filters provide efficient grease removal. The filter clean reminder ensures they will always maintain a high level of capture.
- EZ1 brackets make it easy for single-person installation in less than half the time of traditional methods.
- ADA compliant, remote operation is possible using a standard UL approved wall switch. Requires ADA Adapter Kit. Available in June.
- Non-duct capable with use of charcoal filters, sold separately. Hidden louvers on top of hood exhaust away from cabinetry.

Captur™
For faster smoke and odor removal.

SPECIFICATIONS

Width	Volts	Amps	High CFM	Normal Sones	Duct	Optional Accessories	
30"	120	.65	300	1.5	3-1/4" x 10" (V, H) 7" RD	Non-ducted Charcoal Filter	
36"						HPF30 (Type Xc)	ADA Electronic Adapter Kit
42"						HPF36 (Type Xd)	
						HPF42 (Type Xe)	



UNDER CABINET



Glacier BCSD1

The clean, contemporary shape of Glacier complements any kitchen design. This new design has features like the quiet Captur™ system and brilliant halogen lighting.

NEW



- STAINLESS**
 - 24" BCSD124SS
 - 30" BCSD130SS
 - 36" BCSD136SS
 - 42" BCSD142SS
- BLACK**
 - 24" BCSD124BL
 - 30" BCSD130BL
 - 36" BCSD136BL
 - 42" BCSD142BL
- WHITE**
 - 24" BCSD124WW
 - 30" BCSD130WW
 - 36" BCSD136WW
 - 42" BCSD142WW
- BISQUE**
 - 30" BCSD130BC
 - 36" BCSD136BC

- The Captur™ system's advanced blower design features a forward positioned centric inlet to remove smoke and odor faster. A smooth-flow blower wheel and high flow filters ensure quiet operation.
- 250 CFM blower operates at 1.5 sones at normal speed.
- Two-level, halogen bulbs flood the cooktop and surrounding area with generous illumination (50W bulbs not included).
- Hidden two-speed on/off rocker switch.
- Dual dishwasher-safe, open-mesh filters provide efficient grease removal.
- EZ1 brackets make it easy for single-person installation in less than half the time of traditional methods.
- ADA compliant, remote operation is possible using a standard UL approved wall switch.
- Non-duct capable with use of charcoal filters, sold separately. Hidden louvers on top of hood exhaust away from cabinetry.

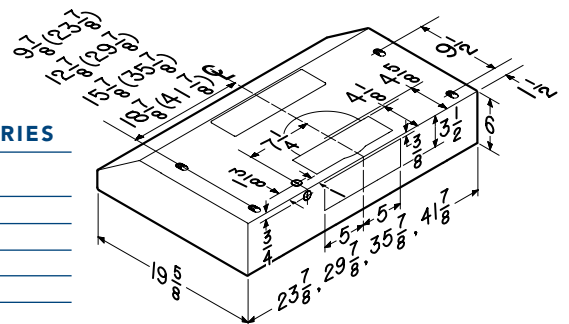
Captur™
For faster smoke and odor removal.

SPECIFICATIONS

Width	High CFM	Normal Sones	Volts	Amps	Duct
24"	250	1.5	120	1.4	3-1/4" x 10" (V, H) 7" RD
30"					
36"					
42"					

OPTIONAL ACCESSORIES

Non-Ducted Charcoal Filter
HPF24 (Type Xb)
HPF30 (Type Xc)
HPF36 (Type Xd)
HPF42 (Type Xe)



Sahale BKDB1

The slim and refined lines of Sahale bring a refreshing change to today's kitchens. Bright LED lighting complements your cooking experience and three fan speeds make cooking more enjoyable.

NEW



- STAINLESS**
30" BKDB130SS
36" BKDB136SS
- BLACK**
30" BKDB130BL
36" BKDB136BL
- WHITE**
30" BKDB130WW
36" BKDB136WW

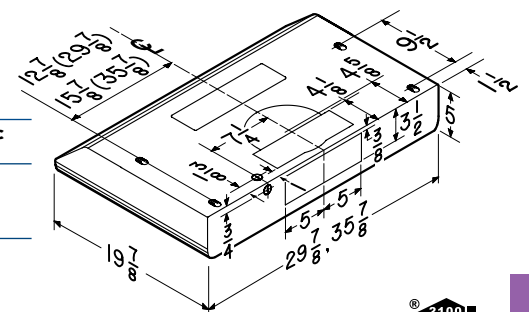
- The Captur™ system's advanced blower design features a forward positioned centric inlet to remove smoke and odor faster. A smooth-flow blower wheel and high flow filters ensure quiet operation.
- 250 CFM blower operates at 1.5 sones at normal speed.
- Bright, two-level LED modules—supported by a 3-year warranty—illuminate evenly and are tested in cooking environments to ensure long life without dimming.
- Tap-touch, three-speed capacitive control features a smooth, easy-to-clean surface.
- Dishwasher-safe, micro-mesh filters provide efficient grease removal. The filter clean reminder ensures they will always maintain a high level of capture.
- EZ1 brackets make it easy for single-person installation in less than half the time of traditional methods.
- ADA compliant, remote operation is possible using a standard UL approved wall switch. Requires ADA Adapter Kit. Available in June.
- Non-duct capable with use of charcoal filters, sold separately. Hidden louvers on top of hood exhaust away from cabinetry.

Captur™
For faster smoke and odor removal.

SPECIFICATIONS

Width	High CFM	Normal Sones	Volts	Amps	Duct	Non-ducted Charcoal Filter	ADA Electronic Adapter Kit
30"	250	1.5	120	.65	3-1/4" x 10" (V, H) 7" RD	HPF30 (Type Xc)	HAWRK3
36"						HPF36 (Type Xd)	

OPTIONAL ACCESSORIES



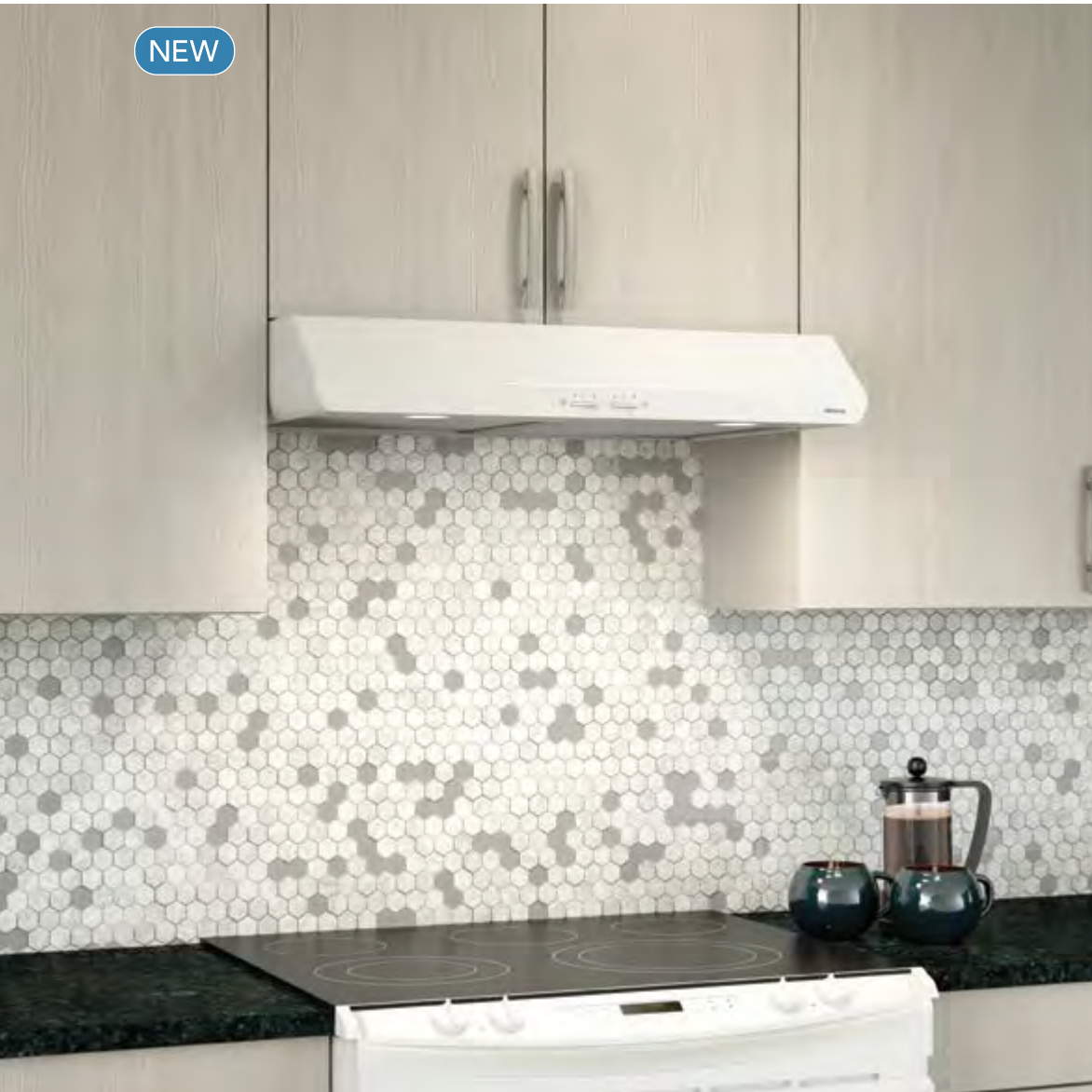
UNDER CABINET



Sahale BKSH1

The slim and refined lines of Sahale bring a refreshing change to today's kitchens. Brilliant halogen lighting and a deluxe rocker control complements your cooking experience.

NEW



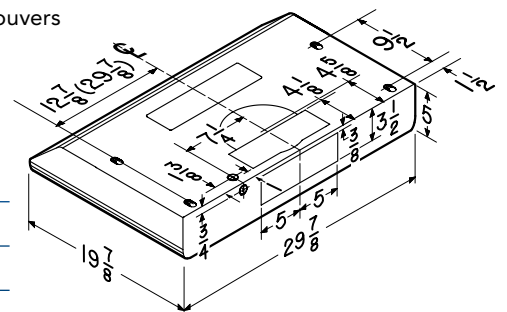
-  **STAINLESS**
30" BKSH130SS
-  **BLACK**
30" BKSH130BL
-  **WHITE**
30" BKSH130WW

- The Captur™ system's advanced blower design features a forward positioned centric inlet to remove smoke and odor faster. A smooth-flow blower wheel and high flow filters ensure quiet operation.
- 250 CFM blower operates at 1.5 sones at normal speed.
- Two-level, halogen bulbs flood the cooktop and surrounding area with generous illumination (bulbs included).
- Streamlined, deluxe rocker control operates two fan speeds.
- Dishwasher-safe, micro-mesh filters provide efficient grease removal.
- EZ1 brackets make it easy for single-person installation in less than half the time of traditional methods.
- ADA compliant, remote operation is possible using a standard UL approved wall switch.
- Non-duct capable with use of charcoal filters, sold separately. Hidden louvers on top of hood exhaust away from cabinetry.

Captur™
For faster smoke and odor removal.

SPECIFICATIONS

Width	High CFM	Normal Sones	Volts	Amps	Duct	OPTIONAL ACCESSORIES
30"	250	1.5	120	1.4	3-1/4" x 10" (V, H) 7" RD	Non-ducted Charcoal Filter HPF30 (Type Xc)



Sahale BKSA1

The slim and refined lines of Sahale bring a refreshing change to today's kitchens. Brilliant halogen lighting and hidden rocker controls complements your cooking experience.

NEW



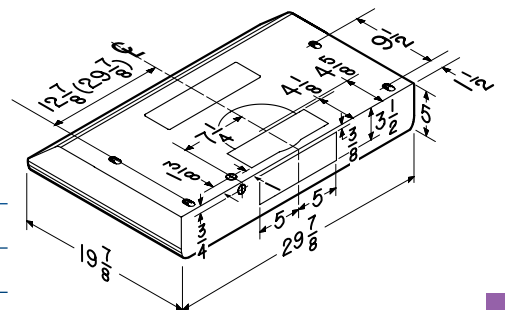
-  **STAINLESS**
30" BKSA130SS
-  **BLACK**
30" BKSA130BL
-  **WHITE**
30" BKSA130WW

- The Captur™ system's advanced blower design features a forward positioned centric inlet to remove smoke and odor faster. A smooth-flow blower wheel and high flow filters ensure quiet operation.
- 250 CFM blower operates at 1.5 sones at normal speed.
- Two-level, halogen bulbs flood the cooktop and surrounding area with generous illumination (bulbs included)
- Hidden two-speed on/off rocker switch.
- Large dishwasher-safe, single open-mesh filter provides efficient grease removal.
- ADA compliant, remote operation is possible using a standard UL approved wall switch.
- Non-duct capable with use of charcoal filter, sold separately. Hidden louvers on top of hood exhaust away from cabinetry.

Captur™
For faster smoke and odor removal.

SPECIFICATIONS

Width	High CFM	Normal Sones	Volts	Amps	Duct	OPTIONAL ACCESSORIES
30"	250	1.5	120	1.4	3-1/4" x 10" (V, H) 7" RD	Non-ducted Charcoal Filter HPF1 (Type Xa)





UNDER CABINET



Broan Elite 15000 Silhouette

Slides out of sight when not in use. This slimline design merges perfectly with the style of any kitchen. The unseen advantages include quiet, powerful ventilation performance.



-  **BRUSHED ALUMINUM**
30" 153004
36" 153604
-  **BLACK**
30" 153023
36" 153623
-  **WHITE**
30" 153001
36" 153601

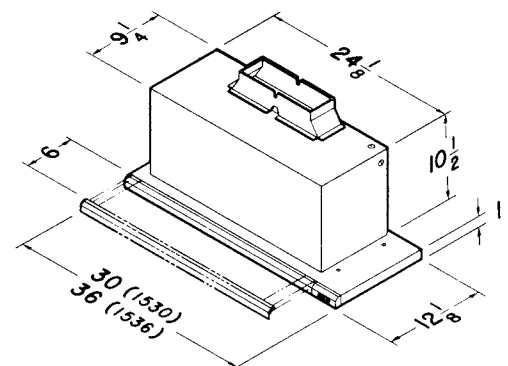
- Compact, trim styling complements any kitchen.
- Fan and light automatically turn on when you slide out the clear glass visor; shut off when pushed in.
- Energy-efficient, 24" fluorescent light with prismatic glass lens provides bright, even cooktop lighting (bulb not included).
- Dual centrifugal blower, 300 CFM, at a quiet 4.5 sones, HVI Certified.
- Infinitely adjustable blower control conveniently located up front; features blower memory—when activated, unit automatically “remembers” the last setting you selected.
- Heat Sentry™ detects excessive heat and adjusts blower speed to high automatically.
- Includes 3-1/4" x 10" duct adapter with built-in damper.

SPECIFICATIONS

Width	CFM	Sones	Volts	Amps	Duct	Bulb*
30"	300†	4.5	120	3.7	3-1/4" x 10" (vert.)	F20T12
36"						

* Bulb not included.




† 299 CFM max with ARP310 reducer plate option.



46000

Deluxe, variable-speed performance in an economical package. The infinitely adjustable speed control allows you to set the hood speed for the perfect combination of ventilation and quiet.



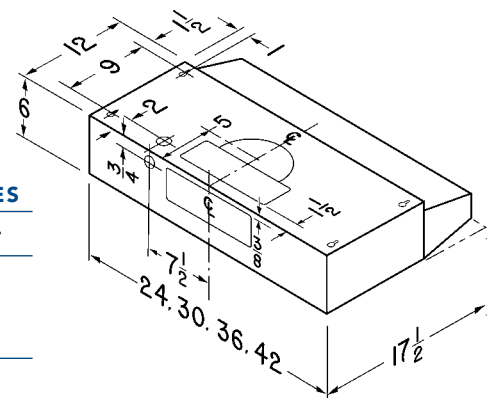
-  **STAINLESS**
 24" 462404
 30" 463004
 36" 463604
 42" 464204
-  **BLACK**
 24" 462423
 30" 463023
 36" 463623
-  **WHITE**
 24" 462401
 30" 463001
 36" 463601
 42" 464201
-  **MONOCHROME***
 30" 463011
-  **BISQUE**
 30" 463002
 36" 463602
 42" 464202

- 190 CFM, 7.5 sone (3-1/4" x 10") or 220 CFM (7" round), HVI Certified.
- Easily installs as 7" round vertical discharge; 3-1/4" x 10" vertical discharge; 3-1/4" x 10" horizontal discharge or non-ducted (non-ducted filter sold separately).
- Rotary, infinitely adjustable fan-speed control.
- Up to 75-watt cooktop lighting with protective polymeric lens and two-level light control (bulb not included).
- Includes 3-1/4" x 10" damper/adaptor and 7" round adaptor.
- 7" round damper optional.
- BP87 damper sold separately.

SPECIFICATIONS

Width	CFM	Sones	Volts	Amps	Duct	OPTIONAL ACCESSORIES	
						Non-ducted Filter	7" RD Damper
24"	190/ 220	7.5	120	2.5	3-1/4" x 10" or 7" RD	41F	BP87
30"							
36"							
42"							

* Special Order: Allow three weeks for delivery.



UNDER CABINET



43000/F40000

These four-way convertible range hoods will fit into most all applications. Enclosed light and fan/filter assemblies make for easy cleaning.



- STAINLESS**
 - 24" F402404
 - 30" 433004, F403004
 - 36" 433604, F403604
 - 42" F404204
- BLACK**
 - 24" F402423
 - 30" 433623, F403023
 - 36" 433623, F403623
 - 42" F404223
- WHITE**
 - 24" F402401
 - 30" F403001
 - 36" F403601
 - 42" F404201
- MONOCHROME**
 - 24" F402411
 - 30" 433011, F403011
 - 36" 433611, F403611
 - 42" F404211
- BISQUE**
 - 24" F402422
 - 30" 433022, F403022
 - 36" 433622, F403622
 - 42" F404222
- ALMOND**
 - 24" F402408
 - 30" F403008
 - 36" F403608
 - 42" F404208

43000 SERIES

- Features enclosed light and fan/filter assembly for easy clean-up.
- Two-speed, rocker-type fan control.
- Powerful 190 CFM, 7.0 sone (3-1/4" x 10" vertical discharge) or 220 CFM, 8.0 sone (7" round discharge) performance.
- Accepts up to 75-watt light (bulb not included).
- Includes 3-1/4" x 10" damper/adaptor and built-in 7" round adaptor.
- 7" round damper optional.
- BP87 dampers sold separately.

F40000 SERIES

- Four-way convertible; installs ducted 3-1/4" x 10" (vertical and horizontal), 7" round (vertical) and non-ducted (non-ducted filter sold separately).
- 160 CFM, 6.5 sone (3-1/4" x 10" discharge) or 190 CFM (7" round discharge) performance—HVI Certified.
- Accepts up to 75-watt light (bulb sold separately)
- Dishwasher-safe aluminum grease filter.
- Includes 3-1/4" x 10" damper/adaptor and 7" round adaptor.
- 7" round damper optional.
- BP87 dampers sold separately.

43000 SPECIFICATIONS

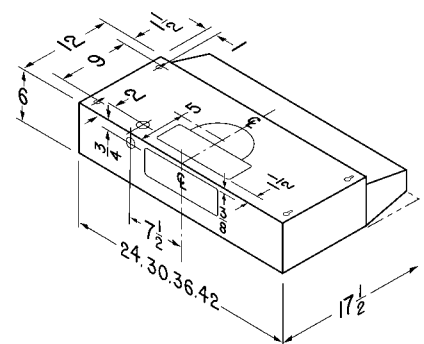
Width	Ver. CFM	Sones	Volts	Amps	Duct	Charcoal Filter	7" RD Damper
24", 30", 36", 42"	190 220	7 8	120	1.8	3-1/4" x 10" 7" RD	BP58	BP87

OPTIONAL ACCESSORIES

F40000 SPECIFICATIONS

Width	Ver. CFM	Sones	Volts	Amps	Duct	Charcoal Filter	7" RD Damper
24", 30", 36", 42"	160 190	6.5	120	1.8	3-1/4" x 10" 7" RD	41F	BP87





OPTIONAL ACCESSORIES



42000/40000/
37000

Broan range hoods provide the high quality you expect and the value you demand.



-  **STAINLESS**
 24" 422404, 402404
 30" 423004, 403004
 36" 423604, 403604
 42" 424204
- 6" SHELL ONLY**
 30" 373004
 36" 373604
-  **BLACK**
 30" 423023, 403023
 36" 423623, 403623
-  **WHITE MONOCHROME**
 21" 402101
 24" 422401, 402401
 30" 423001, 403001
 36" 423601, 403601
 42" 424201, 404201
- 6" SHELL ONLY**
 24" 372401
 30" 373001
 36" 373601
-  **BISQUE**
 21" 402102
 24" 422402, 402402
 30" 423002, 403002
 36" 423602, 403602
 42" 424202, 404202
- 6" SHELL ONLY**
 30" 373002

42000 SERIES

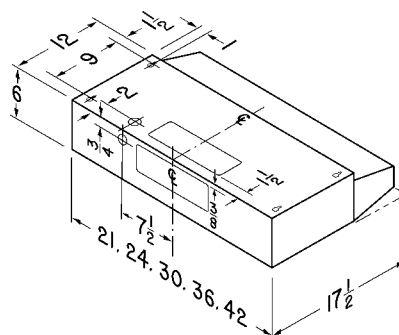
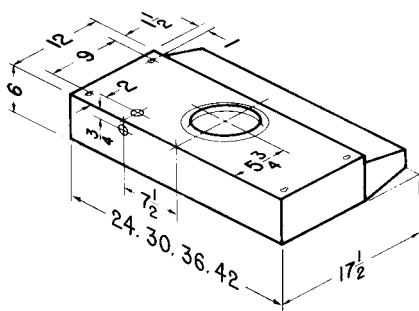
- Installs as 7" round ducted only.
- 190 CFM, 6.0 sone (vertical discharge) performance.
- Dishwasher-safe aluminum grease filter.
- Accepts up to 75-watt light (bulb sold separately).
- Built-in 7" adapter included.
- BP87 damper sold separately.

40000 SERIES

- Installs as 3-1/4" x 10" ducted only.
- 160 CFM, 6.5 sone (vertical or horizontal discharge) performance.
- Dishwasher-safe aluminum grease filter.
- Accepts up to 75-watt light (bulb sold separately).
- Duct connector with built-in damper included.

37000 SERIES—6" SHELL ONLY

- The 37000 Series utilizes the 40000 Series, but contains no fan, light or switch knock-outs.



42000 SPECIFICATIONS

Width	CFM	Sones	Volts	Amps	Duct
24", 30", 36", 42"	190	6	120	2.5	7" RD

OPTIONAL ACCESSORIES

7" RD Damper
BP87

40000 SPECIFICATIONS

Width	CFM	Sones	Volts	Amps	Duct
21", 24", 30", 36", 42"	160	6.5	120	2.0	3-1/4" x 10"





UNDER CABINET

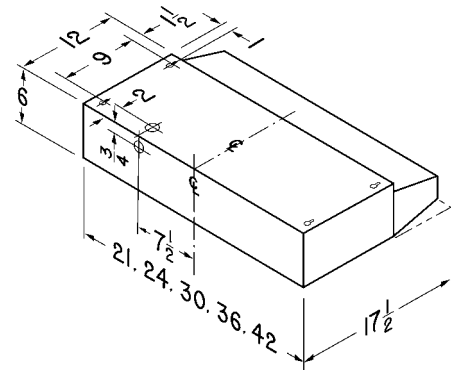


41000 (Non-Ducted Only)

Broan range hoods provide the high quality you expect and the value you demand.



-  **STAINLESS**
 24" 412404
 30" 413004
 36" 413604
 42" 414204
-  **BLACK**
 21" 412123
 30" 413023
 36" 413623
-  **WHITE MONOCHROME**
 21" 412101
 24" 412401
 30" 413001
 36" 413601
 42" 414201
-  **BISQUE**
 21" 412102
 24" 412402
 30" 413002
 36" 413602
 42" 414202



- Installs as non-ducted only with charcoal filter.
- Accepts up to 75-watt light (bulb sold separately).

SPECIFICATIONS

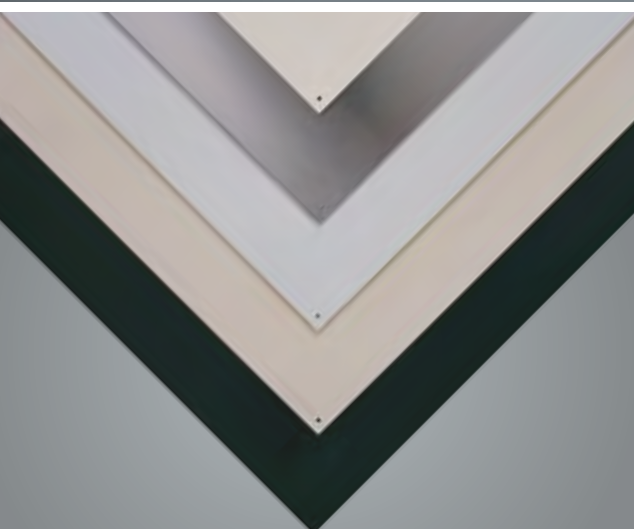
Width	CFM	Sones	Volts	Amps	Duct
21", 24", 30", 36", 42"	N/A	N/A	120	2.0	Non-ducted

OPTIONAL ACCESSORIES




Charcoal Filter
41F



Metal Backsplashes



Help keep your kitchen looking like new.

-  **STAINLESS STEEL**
 24" SP2404
 30" SP3004
 36" SP3604
 42" SP4204
 -  **REVERSIBLE BISQUE /BLACK**
 24" SP240223
 30" SP300223
 36" SP360223
 -  **REVERSIBLE WHITE/ALMOND**
 24" SP240108
 30" SP300108
 36" SP360108
- Provides easy clean-up of cooking splatter.
 - Durable, attractive appliance-matching finishes: Reversible White/Almond, Reversible Bisque/Black.
 - Aluminum or 24-gauge stainless steel.
 - Available in 24", 30", 36" or 42" widths; all are 24" high.
 - Installs easily with four screws (not included).

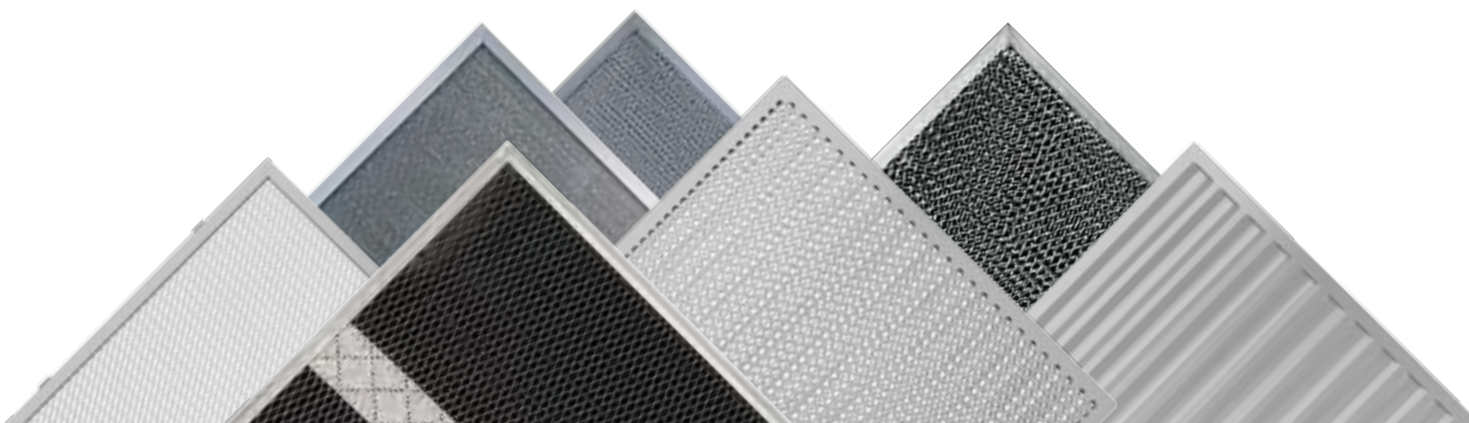
Replacement Grease Filters and Charcoal Filters

FITS RANGE HOOD SERIES	NON-DUCTED CHARCOAL FILTER	REPLACEMENT GREASE FILTER	DESCRIPTION
RMIP33		RBFIP33	
RMIP45		RBFIP45	
RM50000, RMP17004	FILTEREB40		
E54000, RM51000, RM52000, RM53000	FILTERSquare		
41000, F40000, 46000	41F		
40000, F40000, 42000, 46000		BP29	
43000	BP58		Qty 3
43000		BP57 w/charcoal pad	w/light lens
61000	ROUNDFILTER		
BCDF, BKDB, BKSH*	HPF30 (Type Xc), HPF36 (Type Xd), HPF42 (Type Xe)	HPFAMM30 (C2), HPFAMM36 (D2), HPFAMM42 (E2)	Qty 2 for 30", 36", 42"
BCDJ*	HPF30 (Type Xc), HPF36 (Type Xd), HPF42 (Type Xe)	HPFA3B30 (C4), HPFA3B36 (D4), HPFA3B42 (E4)	Qty 2 for 30", 36", 42"
BCSD, BCSEK*	HPF30 (Type Xc), HPF36 (Type Xd), HPF42 (Type Xe)	HPFA130 (C1), HPFA136 (D1), HPFA142 (E1)	Qty 2 for 30", 36", 42"
BKDE*	HPF30 (Type Xc)	HPFA3A30 (C3)	Qty 2 for 30"
BKSA*	HPF1 (Type Xa)	HPFA (A0)	Qty 1 for 30"
BPPD, EPLEC*	HPF24 (Type Xb), HPF30 (Type Xc), HPF36 (Type Xd), HPF42 (Type Xe)	HPF424 (B5), HPFA430 (C5), HPFA436 (D5), HPFA442 (E5)	Qty 2 for 24", 30", 36", 42"
B30	FILTER30		Qty 2 for 30"
CJD1	BPJDA30		Qty 2 for 30"
CJD3	BPJDA36		Qty 2 for 36"
QDE		BPQDE30	
QP1, QP2, QP3	BPPF30		Qty 2 for 30"
QP1		BPPFA30, BPPFA36, BPPFA42	Qty 2 for 30", 36" 42"
QP2		BPP2FA30, BPP2FA36, BPP2FA42	Qty 2 for 30", 36" 42"
QP3		BPP3FA30, BPP3FA36, BPP3FA42	Qty 2 for 30", 36" 42"
QS1, QS2, QS3, CJD1, CJD3	BPSF30		Qty 2 for 30"
QS1, QS2, QS3, CJD1, CJD3	BPSF36		Qty 2 for 36"
QS1, QS2, QS3	BPSF42		Qty 2 for 42"
QS1, QSE		BPS1FA30	Qty 2 for 30" Allure I
QS1		BPS1FA36	Qty 2 for 36" Allure I
QS2		BPS2FA30, BPS2FA36	Qty 2 for 30", 36" Allure II
QS3		BPS3FA30, BPS3FA36	Qty 2 for 30", 36" Allure III
QT20000, CBD1, CBD3, CBX1, QML	BPQTF		
QT20000		BPQTAF	
88000, RP2	88F		

*Filter type shown in parentheses.

REPLACEMENT GREASE & CHARCOAL FILTERS

Genuine Broan replacement grease filters and odor-capturing non-ducted charcoal filters are the key to removing cooking effluents from your kitchen. The table above will help you find the filter model matched to your Broan range hood.



Make-up Air Dampers

Broan® Automatic Make-Up Air Dampers are the first to provide synchronized operation for kitchen, bath and whole-house ventilation products. Installation is simple and requires no special wiring. Intelligent design options ensure optimum performance in a variety of installations and applications. Highly effective and affordable, Broan Automatic Make-Up Air Dampers strike the perfect balance to keep you and your home breathing easy.



- Economical, ruggedly constructed galvanized motorized damper.
- Can be controlled by more than one Broan ventilation product.
- Damper opens automatically to replace the air being exhausted by ventilation fans or range hoods, and then closes tightly when ventilation fans are turned off.
- Prevents excess air from entering the home during heating or cooling operation, reducing energy consumption.
- Interlocked systems meet IRC code requirements for make-up air with range hoods.
- Fresh air inlets are required—see the table below.

MD6TU/MD8TU/MD10TU Universal Design

- Works with any Broan range hood over 300 CFM.
- Provides interlocked make-up air.
- No direct wire connection required.
- Requires use of Broan fresh air inlets.

MD6T/MD8T/MD10T

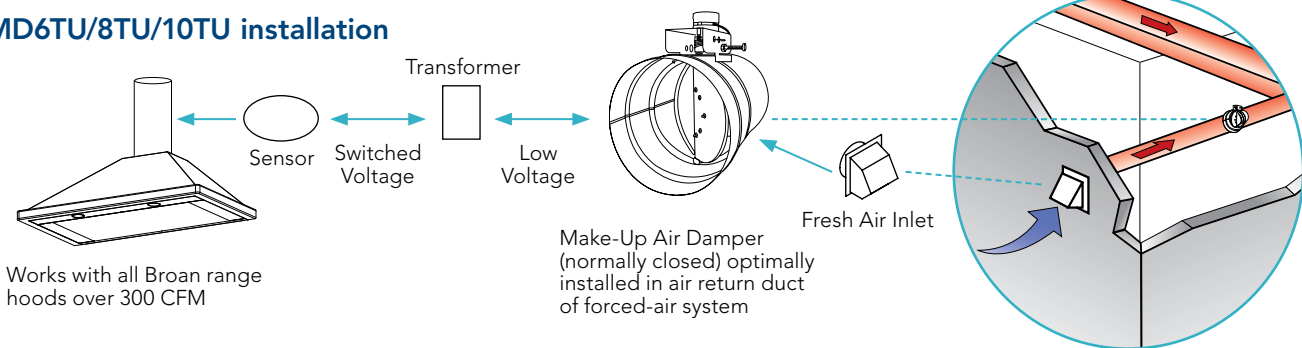
- Works with Broan range hood models: EI59, EW56, EW58, E64, E60, QP3 and QP4.
- Requires direct wire to hood.
- Requires use of Broan fresh air inlets.

FRESH AIR INLETS (REQUIRED)

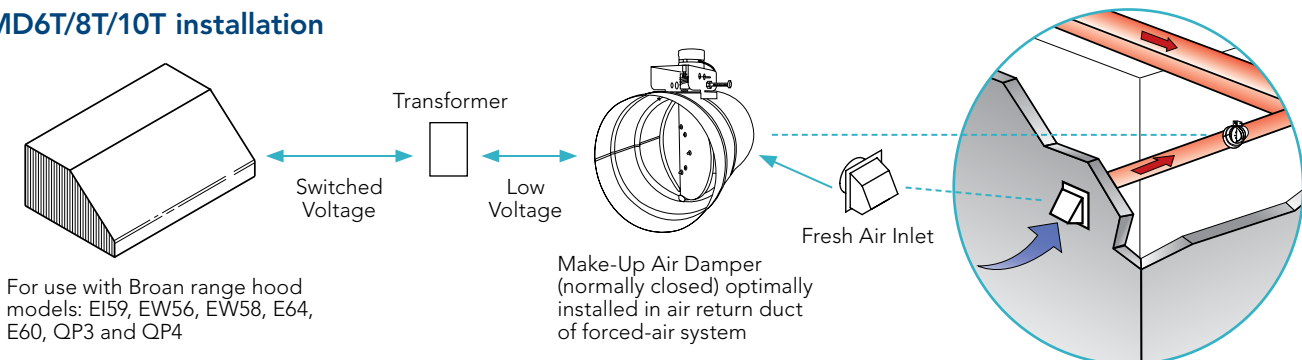
Damper Model	Diameter	Fresh Air Inlet Model
MD6TU/MD6T	6"	641FA
MD8TU/MD8T	8"	643FA
MD10TU/MD10T	10"	610FA

Online Range Hood Make-Up Air Specifying Tool guides the design of the right make-up air damper system for any home. [Try it at Broan.com/tools-landing-page.](http://Broan.com/tools-landing-page)

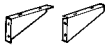
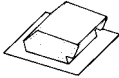


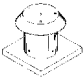

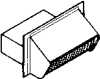


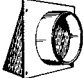
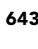
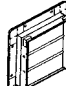


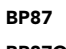




MD6TU/8TU/10TU installation


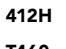
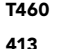
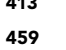
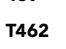



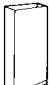






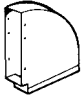






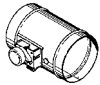
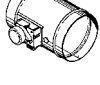
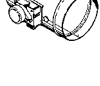




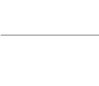



MD6T/8T/10T installation



Ducting Installation Accessories

	Stock No.	Description
	35	Wall Hanging Kit—for mounting hoods to wall when not hung from overhead cabinets. Designed for use with 46000, 43000, 42000, 41000, F40000, 40000 series.
AC Cord Kit	HCK44	HCK44 (10-pack) Electric cord connections kit.
	SHCK44	(Single-pack) Electric cord connections kit.
	634	Paintable roof cap with backdraft damper and bird screen; 3-1/4" x 10" or up to 8" round duct. Black finish.
	644	Aluminum roof cap with backdraft damper and bird screen; 3-1/4" x 10" or up to 8" round duct. Natural finish.
	437	High-capacity roof cap—up to 1200 CFM exhaust with spring-loaded damper and bird screen.
	611	Aluminum roof cap for flat roofs, 8" round duct.
	612	Aluminum roof cap for flat roofs, 10" round duct.
	639	Paintable wall cap with backdraft damper and bird screen; 3-1/4" x 10" duct. Black finish.
WC638		Paintable wall cap with backdraft damper and bird screen; 3-1/4" x 14" duct. Black finish.
	649	Aluminum wall cap with backdraft damper and bird screen; 3-1/4" x 10" duct. Natural finish.
	641	Aluminum wall cap for 6" round duct, with backdraft damper and bird screen.
641FA		Aluminum fresh air inlet wall cap for 6" round duct.
	647	Aluminum wall cap for 7" round duct, with damper and bird screen.
	610FA	10" Aluminum Fresh air inlet.
	643	Aluminum wall cap; 8" round duct with damper.
643FA		Aluminum fresh air inlet wall cap for 8" round duct.
	441	Wall cap with gravity damper; 13-1/8" sq. fits 10" round duct.
	457K	Horizontal twin duet kit, for direct horizontal discharge of RM326H Internal blower.
	P85	5" vertical discharge damper.
	BP87	7" vertical discharge damper.
	BP87Q	7" round discharge damper.
	97	7" spring-loaded, In-Line damper.
	438	8" round section with In-Line damper.
	421	10" vertical discharge In-Line damper.

	Stock No.	Description
	411	3-1/4" x 10" to 6" round transition.
	412H	3-1/4" x 10" to 7" round transition.
	T460	3-1/4" x 14" to 7" round transition.
	413	3-1/4" x 10" to 8" round transition.
	459	3-1/4" x 14" to 8" round transition.
	T462	3-1/4" x 14" to 6" round transition.
	T461	3-1/4" x 14" to 3-1/4" x 10" transition.
	414	8" to 10" expander.
	T487	8" to 7" reducer.
	889	3-1/4" x 10" duct; 2' section.
	406	6" round duct; 2' section.
	407	7" round duct; 2' section.
	408	8" round duct; 2' section.
	410	10" round duct; 2' section.
	428	3-1/4" x 10" vertical elbow.
	429	3-1/4" x 10" horizontal elbow.
	430	Short eave elbow for 3/4" x 10" duct with backdraft damper and grill.
	431	Long eave elbow for 3/4" x 10" duct with backdraft damper and grill.
	419	6" adjustable elbow (individual).
	415	7" adjustable elbow (carton of four).
	432	8" adjustable elbow (individual).
	418	10" adjustable elbow (individual).
	MD6S	6" Slave Make-Up Air Damper.
	MD8S	8" Slave Make-Up Air Damper.
	MD10S	10" Slave Make-Up Air Damper.
	MD6T	6" Broan Make-Up Air Damper.
	MD8T	8" Broan Make-Up Air Damper.
	MD10T	10" Broan Make-Up Air Damper.
	MD6TU	6" Universal Make-Up Air Damper.
	MD8TU	8" Universal Make-Up Air Damper.
	MD10TU	10" Universal Make-Up Air Damper.

External, Exterior Blowers*



Model 331H/332H

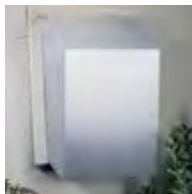
Our Exterior blowers offer you powerful ventilation performance at its very quietest, and something you won't find anywhere else—Broan quality.

All Exterior blowers can be installed on the roof or to an outside wall for the ultimate in quiet, high performance kitchen ventilation. Quietest sound level is achieved when the blower is mounted at least 10' from the hood location and incorporates a 90 degree elbow in the duct run.

- Reduce kitchen noise by locating your range hood blower outdoors.
- For use with our professional style Broan Elite E64000, E60000, EX Series chimney hoods, downdrafts, RMPE Power Pack and RMIP Inserts.
- Ideal for custom hoods—use the 72W (6 amp variable speed) wall control for remote control of External blowers.
- The 332H is recommended for the Eclipse downdraft.
- Residential design fits unobtrusively on home exterior.
- Durable, weather-resistant, all-aluminum construction that mounts on the roof or outside wall.
- Safety screen keeps small animals and debris away from blower and motor.



331H (600 CFM)



335 (1200 CFM)

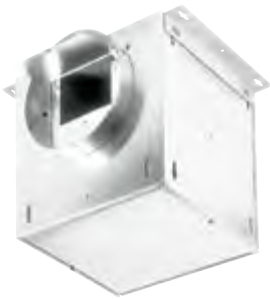


332H (900 CFM)



336 (1500 CFM)

External, In-Line Blowers*



HLB3 (280 CFM)
HLB6 (600 CFM)
HLB9 (800 CFM)
HLB11 (1100 CFM)

This quiet performance solution is a perfect alternative to Internal or Exterior blowers. Works with all Broan range hoods designed for use with External blowers.

- Powerful and quiet, In-Line blowers are available in a range of CFM ratings to match your cooking preferences and ventilation requirements.
- Installs remotely in the interior of the home—not restricted by local exterior home codes or service concerns for roof-mounted exterior applications.

- Eight-position mounting brackets, or suspends with special suspension chains (hanger kit included).
- Designed to work independently from Internal or Exterior blowers, this is not a boost blower—the HLB series needs no other blowers in the system.
- Specially designed resilient motor mounts and housing isolation mounts prevent vibration noise.
- Flexible duct design allows straight-through or right-angle connections with built-in damper.
- Includes 10" round ductwork transition(s).

Internal Blowers*

P5 (460 CFM vertical)
P8 (850 CFM vertical)

Broan Elite Internal blowers provide high ventilation and durable construction to meet the needs of professional-style cooking appliances for the home.

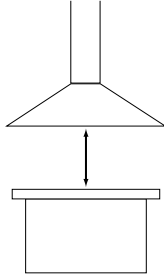
- The P5 (460 CFM) and P8 (850 CFM) blowers are designed for use with RMIP Inserts.
- All blowers are designed for quiet operation using the finest motors and balance wheels.
- Rough-In Kits are included to make the installation clean and simple.

* Broan internal and external blowers are designed and UL Listed for use with Broan products only. Use with other manufacturers' products cannot be recommended. Broan range hoods can be used to comply with California Title 24.



1. Distance from cooking surface:

For optimal performance, the distance from the cooking surface to the bottom of the range hood should be between 24" to 30", unless otherwise noted. DO NOT install a Broan Elite range hood less than 24" above cooking surface.



To maintain hood performance at heights greater than the recommended range, use the following guidelines:

- For every 3" increase in installation height, add 100 CFM to the minimum exhaust requirement and/or a minimum of 3" to the hood/liner width (may require going to the next hood width).

2. Range hood width:

The hood should never be less than the width of the cooktop.

3. Required blower CFM based on cooktop BTU output.

For gas cooktops under 60,000 BTUs, or electric choose a blower with a minimum of 100 CFM per lineal foot of your cooktop width. For example, a 36" wide cooktop requires a blower with a minimum of 300 CFM.

- High heat cooking or aromatic foods may require additional CFM. Always check with the range manufacturer. NOTE: Increasing capture area by 3" on each side is also a recommended way to address this issue.

- As a means to estimate the approximate CFM requirement for cooktops OVER 60,000 BTUs, choose a blower with 1 CFM per 100 BTU of cooktop output. To quickly calculate this number, add the BTU output from all burners and drop the last two zeros. For example, if the total BTU output of the cooktop burners is 65,000 BTUs, choose a blower with at least 650 CFM.

4. Additional CFM needs for a Grill or Griddle:

If your cooktop has a grill or griddle, ADD 200 CFM to your estimated CFM needs as calculated in step 3. For example, if your cooktop BTU output requires a 650 CFM blower, add 200 CFM for a total of 850 CFM.

Installation Example:

A consumer purchases a cooktop with these specifications:

- Four burner, 36" cooktop
- Burner output is 60,000 BTU
- The cooktop features a grill
- Installation requirements call for the range hood to be 33" over the range (3" above recommended maximum height)

Blower CFM Option 1:

(Using the guidelines above) The blower must equal a minimum of 600 CFM (60,000 BTU) + 200 CFM (for Grill requirement) + 100 CFM (for 3" of installation height) = 900 CFM

Blower CFM Option 2:

(Using the guidelines above) Select a range hood that is a minimum of 3" WIDER than the cooktop, a minimum 600 CFM (60,000 BTU) + 200 CFM (for Grill requirement) = 800 CFM

Internal, In-Line and Exterior blower specifications table

Model	Mounting	CFM	Max Cooktop BTU	HVI	Volts	Amps	Rough-In Duct	Inlet/Outlet†	Direction	Motor Type
P5	Internal	460V/500H	60,000	Y	120	1.8	3-1/4"x10"	—	V or H	—
P8	Internal	850V/900H	95,000	Y	120	3.4	3-1/4"x14"	—	V or H	—
331H††	Exterior	600	60,000	Y	120	2.3	10" round	—	—	Single-Speed
332H††	Exterior	900	90,000	Y	120	5.8	10" round	—	—	Single-Speed
335††	Exterior	1200	120,000	Y	120	3.0	10" round	—	—	Single-Speed
336††	Exterior	1500	120,000	Y	120	3.8	10" round	—	—	Single-Speed
HLB3††^	In-Line	280/260*	40,000	Y	120	2.6	—	8" or 10" round	V or H	Single-Speed
HLB6††	In-Line	600/600*	65,000	Y	120	2.9	—	10"/10" round	V or H	Single-Speed
HLB9††	In-Line	800/700*	85,000	Y	120	3.0	—	10"/10" round	V or H	Single-Speed
HLB11††	In-Line	1100/1000*	110,000	Y	120	5.0	—	10"/10" round	V or H	Single-Speed

†† Model 332KR Rough-In Kit required for installation with hood series RM60000, 64000 and RMIP (Model 421 10" In-Line damper recommended for Exterior blowers).

* Straight CFM/Right angled CFM (rated with transitions provided).

† Transitions provided with unit.

^ Not recommended for use with grill applications.

Range Hood Specifications

SERIES	PAGE	DESCRIPTION	WIDTH (inches)	FINISHES [†] (may not be in all widths)	LIGHTING	BULB INCL.	CONTROL FEATURES	CONTROL TYPE
CHIMNEY & ISLAND								
61000	12	Chimney Hood	30, 35-7/16, 48	SS	Halogen Dual 20W JC/G4	yes	3 speed Heat Sentry™	Slide
61000EX	12	Chimney Hood External Blowers	35-7/16, 48	SS	Halogen Dual or Quad 20W JC/G4	yes	Variable Heat Sentry™	Slide
63000	9	Island Chimney Hood	39-3/8 x 27-5/8	SS	Halogen Four 20W JC/G4	yes	3 speed Heat Sentry™	Slide
63000EX	9	Island Chimney Hood External Blowers	39-3/8 x 27-5/8	SS	Halogen Dual or Quad 20W JC/G4	yes	Variable Heat Sentry™	Slide
E54000	11	Island Chimney Hood	35-7/16 x 27-9/16	SS	Halogen Quad 20W JC/G4	yes	Multi-speed Heat Sentry™	Slide
EI59	10	Chimney Hood	35-3/16 x 25-9/16	SS	Halogen Quad 35W MR16 GU10	yes	3-speed, Delay-off, Filter indicator, 3-setting light, Heat Sentry™	Electronic Push Optional Remote
EW56	14, 15	Chimney Hood	30, 35-7/16	SS	Halogen Dual 35W MR16 GU10	yes	3-speed, Delay-off, Filter indicator, 3-setting light, Heat Sentry™	Electronic Push Optional Remote
EW58	14, 15	Chimney Hood	30, 36	SS	Halogen Dual 35W MR16 GU10	yes	3-speed, Delay-off, Filter indicator, 3-setting light, Heat Sentry™	Electronic Push Optional Remote
RM50000	16, 17	Chimney Hood	30, 35-7/16	SS, WW, BL	Incandescent Dual 40W	yes	Multi-speed Heat Sentry™	Slide
RM51000	16, 17	Chimney Hood	35-7/16	SS	Halogen Dual 20W JC/G4	yes	Multi-speed Heat Sentry™	Slide
RM52000	16, 17	Chimney Hood	30, 36, 42	SS	Halogen Dual 20W JC/G4	yes	Multi-speed Heat Sentry™	Slide
RM53000	14, 15	Chimney Hood	30, 36, 42	SS	Halogen Dual 20W JC/G4	yes	Multi-speed Heat Sentry™	Slide
RM65000	13	Chimney Hood	35-7/16	SS	Halogen Dual 20W MR16 GU10	yes	Variable speed, Delay-off, Filter Indicator Heat Sentry™	Electronic Pushbutton
HIGH PERFORMANCE								
E60000	20, 21	Professional Style Hood Choice of Internal & External Blowers	30, 36, 42, 48	SS	Halogen 50W Lamps 2/3 MR16 GU10	no	Hi/Lo light	Rotary
E64000	18, 19	Professional Style Hood Choice of Internal & External Blowers	30, 36, 42, 48	SS	Halogen 50W Lamps 2/3 MR16 GU10	no	Hi/Lo light	Rotary
EPD61	22, 23	Professional Style Outdoor Chimney Hood	36, 48, 60	SS	Halogen Dual or Tri 50W MR16 GU10	no	3 speed	Rotary
BUILT-IN								
27000	26	Downdraft	30, 36	SS, (WH, BL)	na	na	Variable speed	Rotary
28000	26	Downdraft External Blower	30, 36	SS, (WH, BL)	na	na	Variable speed	Rotary
RMDD	25	Broan Elite Downdraft	30, 36, 48	SS	na	na	Variable speed	Rotary
RMDDEX	25	Broan Elite Downdraft External Blower	30, 36, 48	SS	na	na	Variable speed	Rotary

* Mounting Height is measured from the top of the cooktop to the bottom of the hood filter.

** Visible height of Chimney when in the raised position.

*** Minimum Height is 24" when using optional RMP series backsplash.

† SS=430 Stainless Steel, BL=Black on Black, WW=White with color-matched controls, WH=White with contrasting controls.

†† (Normal Setting).

SERIES	AIR-MOVER TYPE	MOUNT HEIGHT*	VISIBLE SHELL HEIGHT (inches)	CEILING HEIGHT MAX	DUCTING SIZE	FILTERS INCL.	CFM/SONES VERT. RECT.	CFM/SONES HORIZ. RECT.	CFM/SONES VERT. ROUND	HVI
CHIMNEY & ISLAND										
61000	Centrifugal Blower	24"-30"	9-3/8	8'-9'	6" round (V) 30" & 35-1/2" Width 8" round (V) 48" Width Non-ducted	Stainless Steel	—	—	450/9 900/9.5	Y
61000EX	Centrifugal Blower	24"-30"	9-3/8	8'-9'	8" round (V)	Stainless Steel	—	—	280 to 1500 See External or In-Line Blowers	Y
63000	Dual Centrifugal Blower	24"-30"	10-1/4	8'-9'	8" round (V)	Stainless Steel	—	—	900/9.5	Y
63000EX	Centrifugal Blower	24"-30"	10-1/4	8'-9' Opt. 10'	8" round (V)	Stainless Steel	—	—	280 to 1500 See External or In-Line Blowers	Y
E54000	Centrifugal Blower	24"-30"	3-7/8	8'-9' Opt. 10'	6" round (V) Non-ducted	Aluminum	—	—	480/9.5	Y
EI59	Centrifugal Blower w/ Make-up Air Damper Interlock	24"-36"	—	8'-9' Opt. 10'	6" round (V) Non-ducted	Aluminum	—	—	500/10.5 (200/2.5) ^{††}	Y
EW56	Centrifugal Blower w/ Make-up Air Damper Interlock	24"-36"	—	8'-9' Opt. 10'	6" round (V) Non-ducted	Aluminum	—	—	500/10.5 (200/2.5) ^{††}	Y
EW58	Centrifugal Blower w/ Make-up Air Damper Interlock	24"-36"	—	8'-9' Opt. 10'	6" round (V) Non-ducted	Aluminum	—	—	500/10.5 (200/2.5) ^{††}	Y
RM50000	Centrifugal Blower	24"-30"	11-1/16	8'-9' Opt. 10'	6" round (V)	Aluminum	—	—	290/6.5	Y
RM51000	Centrifugal Blower	24"-30"	5-1/16	8'-9' Opt. 10'	6" round (V)	Aluminum	—	—	370/7.0	Y
RM52000	Centrifugal Blower	24"-30"	5-1/16	8'-9' Opt. 10'	6" round (V)	Aluminum	—	—	370/7.0	Y
RM53000	Centrifugal Blower	24"-30"	3-1/8	8'-9' Opt. 10'	6" round (V) Non-ducted	Aluminum	—	—	370/7.0	Y
RM65000	Centrifugal Blower	24"-30"	11-13/16	8'-9'	6" round (V)	Aluminum	—	—	450/9.0	Y
HIGH PERFORMANCE										
E60000	Centrifugal Blower	24"-30"	18	8'	Internal 3-1/2" x 10" (V,H) or 4-1/2" x 18-1/2" (V,H)	SS Baffle	600/13 (150/1.5) ^{††} 1200/14.5 (350/2) ^{††} External 280-1500	600/13 (150/1.5) ^{††} 1200/14.5 (350/2) ^{††} External 280-1500	—	Y
E64000	Centrifugal Blower	20"-30" electric*** 24"-30" gas	10	na	Internal 3-1/2" x 10" (V,H) or 4-1/2" x 18-1/2" (V,H)	SS Baffle	600/13 (150/1.5) ^{††} 1200/14.5 (350/2) ^{††} External 280-1500	600/13 (150/1.5) ^{††} 1200/14.5 (350/2) ^{††} External 280-1500	—	Y
EPD61	Dual Centrifugal Blower	Minimum 36"	18	10'	10" round (V)	SS Baffle	—	—	1100/11.0	Y
BUILT-IN										
27000	Centrifugal Blower	na	7**	na	3-1/4" x 10" (V, H)	Aluminum	500/na	500/na	—	Y
28000	Centrifugal Blower	na	7**	na	3-1/4" x 10" (V)	Aluminum	—	—	280 to 1100: See Md# 332H, or In- Line Blowers	Y
RMDD	Centrifugal Blower	na	9.5	na	3-1/4" x 10"	Stainless Steel	500/na	—	—	Y
RMDDEX	Centrifugal Blower	na	9.5	na	3-1/4" x 14"	Stainless Steel	—	—	280 to 1500 See Exterior or In-Line Blowers	Y



HVI-2100 CERTIFICATION

Broan range hoods are tested and certified by the Home Ventilating Institute. This is your assurance that each Broan unit has been tested and found to consistently deliver the air and sound performance specified.

Broan range hoods can be used to comply with California Title 24.

Range Hood Specifications

SERIES	PAGE	DESCRIPTION	WIDTH (inches)	FINISHES [†] (may not be in all widths)	LIGHTING	BULB INCL.	CONTROL FEATURES	CONTROL TYPE	
POWER PACKS									
103023	30	Custom Hood Kit	30-42	BL	24" Fluorescent	no	Variable speed Heat Sentry™	Rotary	
PM250	31	Power Module	20-1/2	Silver	Candelabra Dual 40W B10E12	no	2 speed	Rocker	
PM390	31	Power Module	20-1/2	Silver	Candelabra Dual 40W B10E12	no	3 speed	Slide	
PM500SS	29	Power Pack	20-1/2	SS	Halogen Dual 20W JC/G4	yes	3 speed	Pushbutton	
RMP1	27	Power Pack	27-9/16	SS	Halogen Dual 50W MR16 GU10	yes	Variable speed Heat Sentry™	Slide	
RMPE	27	Power Pack External Blower	27-9/16	SS	Halogen Dual 50W MR16 GU10	yes	Variable speed Heat Sentry™	Slide	
RMIP	28	Pro-Style Insert	32-3/8, 44-3/8	SS	Halogen Dual 50W PAR20	no	Variable speed Heat Sentry™ Two-Level Lights	Rotary	
ENERGY STAR									
BCSEK1	34	Glacier Range Hood	30	WW, SL, SS, BL	Dual ENERGY STAR® LED	yes	2 speed	Rocker	
BKDEG1	35	Sahale Range Hood	30	WW, SS, BL	Dual ENERGY STAR® LED	yes	3 speed	Capacitive Touch	
PME300	33	Power Module	20-1/2	Silver	Dual compact 13W fluorescent bulbs G24Q-1	yes	3 speed	Slide	
RME50000	33	Chimney Hood	30	SS	Dual compact 13W fluorescent bulbs G24Q-1	yes	Multi-speed Heat Sentry™	Slide	
UNDER CABINET									
15000	44	Slide Out Hood	30, 36	WW, BL, SS	24" Fluorescent F20T12	no	Variable speed Heat Sentry™	Slide	
37000	47	Range Hood Shell	24, 30, 36	WW, BT, SS	na	na	na	na	
40000	47	Range Hood	21, 24, 30, 36, 42	WW, BT, SS, BL	Single 75W Incandescent	no	2 speed	Rocker	
41000	48	Range Hood	21, 24, 30, 36, 42	WW, BT, SS, BL	Single 75W Incandescent	no	2 speed	Rocker	
42000	47	Range Hood	24, 30, 36, 42	WW, BT, SS, BL	Single 75W Incandescent	no	2 speed	Rocker	
43000	46	Range Hood	30, 36	WW, BC, SS, BL	Enclosed Single 75W Incandescent	no	2 speed	Rocker	
46000	45	Range Hood	24, 30, 36, 42	WH, BT, SS, BL, WW	Single 75W Incandescent	no	Hi/Lo light	Rotary dial	
BCDF1	39	Glacier Range Hood	30, 36, 42	SS, BLS	Dual LED	yes	3 speed	Capacitive Touch	
BCDJ1	38	Glacier Range Hood	30, 36, 42	WH, SS, BL	Dual LED	yes	3 speed	Electronic Pushbutton	
BCSD1	40	Glacier Range Hood	24, 30, 36, 42	WW, BC, SS, BL	Dual Halogen	no	2 speed	Rocker	
BKDB1	41	Sahale Range Hood	30, 36	WW, SS, BL	Dual LED	yes	3 speed	Capacitive Touch	
BKSA1	43	Sahale Range Hood	30	WW, SS, BL	Dual Halogen	no	2 speed	Rocker	
BKSH1	42	Sahale Range Hood	30	WW, SS, BL	Dual Halogen	yes	2 speed	Deluxe Rocker	
BPDP1	37	Spire Range Hood	30, 36, 42, 48	SS	Dual LED	yes	2 speed	Deluxe Rocker	
F40000	46	Range Hood	24, 30, 36, 42	WH, AL, SS, BL, WW, BC	Single 75W Incandescent	no	2 speed	Rocker	

* Mounting Height is measured from the top of the cooktop to the bottom of the hood filter.

† SS=430 Stainless Steel, BL=Black on Black, BLS=Black Stainless Steel, SL=Slate, BT=Bisque w/Black controls, BC=Bisque on Bisque, WW=White with color-matched controls, WH=White with contrasting controls.

†† (Normal Setting).

††† RMIP Series requires 332KR Rough-In Kit when used with Exterior or In-Line blowers.

SERIES	AIR-MOVER TYPE	MOUNT HEIGHT*	VISIBLE SHELL HEIGHT (inches)	CEILING HEIGHT MAX	DUCTING SIZE	FILTERS INCL.	CFM/SONES VERT. RECT.	CFM/SONES HORIZ. RECT.	CFM/SONES ROUND	HVI
POWER PACKS										
103023	Dual Centrifugal Blower	18"-24"	4	na	3-1/4" x 10" (V, H)	Aluminum	360/5.0	—	—	Y
PM250	Fan	18"-24"	3-5/8	na	7" round (V) Non-ducted kit 356NDK	Aluminum w/ Light Lens	—	—	250/8.0	Y
PM390	Centrifugal Blower	18"-24"	3-5/8	na	6" round (V) Non-ducted kit 357NDK	Aluminum w/ Light Lens	—	—	390/6.0	Y
PM500SS	Centrifugal Blower	22"-30"	Flush	na	6" round (V) Non-ducted kit 359NDK	Aluminum	—	—	500/9.0	Y
RMP1	Centrifugal Blower	24"-30"	Flush	na	6" round (V)	Aluminum	—	—	400/9.0	Y
RMPE	Centrifugal Blower	25"-30"	Flush	na	8" round (V)	Aluminum	—	—	280 to 1500 See Exterior or In-Line Blowers	Y
RMIP	Centrifugal Blower	28"-34"	Flush	na	See selected blower on pages 52-53†††	SS & Aluminum	460 to 850 See Md# P5, P8	—	—	Y
ENERGY STAR										
BCSEK1	Axial	18"-24"	6	na	3-1/4" x 10" (V, H) 7" round	Open-mesh	230/5.0 (140/1.5)††	210/5.0 (110/1.5)††	250/5.0 (150/1.5)††	Y
BKDEG1	Axial	18"-24"	5	na	3-1/4" x 10" (V, H) 7" round	Deluxe Micro-mesh, elongated pattern	280/5.5 (150/1.2)††	250/5.5 (110/1.2)††	300/5.5 (160/1.5)††	Y
PME300	Centrifugal Blower	24"-30"	3-5/8	na	6" round (V)	Aluminum	—	—	290/5.0 (130/0.5)††	Y
RME50000	Centrifugal Blower	24"-30"	11-1/16	8'-9' Opt. 10'	6" round (V)	Aluminum	—	—	290/5.5 (130/0.5)††	Y
UNDER CABINET										
15000	Dual Centrifugal Blower	18"-24"	1	na	3-1/4" x 10" (V)	MicroFoam	300/4.5	—	—	Y
37000	na	18"-24"	6	na	Shell only	na	—	—	—	—
40000	Fan	18"-24"	6	na	3-1/4" x 10" (V, H)	Aluminum	160/6.5	160/6.5	—	Y
41000	Fan	18"-24"	6	na	Non-ducted	Charcoal	—	—	—	—
42000	Fan	18"-24"	6	na	7" round (V)	Aluminum	—	—	190/6.0	Y
43000	Fan	18"-24"	6	na	3-1/4" x 10" (V, H) 7" round (V) Non-ducted	Aluminum w/ Light Lens	190/7.0	160/7.0	220/8.0	Y
46000	Fan	18"-24"	6	na	3-1/4" x 10", 7" round Non-ducted	Aluminum	—	—	—	Y
BCDF1	Axial	18"-24"	6	na	3-1/4" x 10" (V, H) 7" round	Micro-mesh	280/5.5 (150/1.2)††	250/5.5 (110/1.2)††	300/5.5 (160/1.5)††	Y
BCDJ1	Centrifugal Blower	18"-24"	6	na	3-1/4" x 10" (V, H) 7" round	Deluxe Micro-mesh, circle pattern	360/6.5 (120/30)††	400/6.5 (120/30)††	370/6.5 (120/50)††	Y
BCSD1	Axial	18"-24"	6	na	3-1/4" x 10" (V, H) 7" round	Open-mesh	230/5.0 (140/1.5)††	210/5.0 (110/1.5)††	250/5.0 (150/1.5)††	Y
BKDB1	Axial	18"-24"	5	na	3-1/4" x 10" (V, H) 7" round	Micro-mesh	230/5.0 (140/1.5)††	210/5.0 (110/1.5)††	250/5.0 (150/1.5)††	Y
BKSA1	Axial	18"-24"	5	na	3-1/4" x 10" (V, H) 7" round	Open-mesh	230/5.0 (140/1.5)††	210/5.0 (110/1.5)††	250/5.0 (150/1.5)††	Y
BKSH1	Axial	18"-24"	5	na	3-1/4" x 10" (V, H) 7" round	Micro-mesh	230/5.0 (140/1.5)††	210/5.0 (110/1.5)††	250/5.0 (150/1.5)††	Y
BPDP1	Centrifugal Blower	18"-24"	9	na	3-1/4" x 10" (V, H) 7" round	Hybrid Baffle	360/6.5 (120/30)††	400/6.5 (120/30)††	370/6.5 (120/50)††	Y
F40000	Fan	18"-24"	6	na	3-1/4" x 10" (V, H) 7" round (V) Non-ducted	Aluminum	160/6.5	160/6.5	190/6.5	Y



HVI-2100 CERTIFICATION

Broan range hoods are tested and certified by the Home Ventilating Institute. This is your assurance that each Broan unit has been tested and found to consistently deliver the air and sound performance specified.

Broan range hoods can be used to comply with California Title 24.

Range Hood Specifications

SERIES	PAGE	DESCRIPTION	WIDTH (inches)	FINISHES [†] (may not be in all widths)	LIGHTING	BULB INCL.	CONTROL FEATURES	CONTROL TYPE	
BLOWERS									
335	52	†††Exterior Blower	na	na	na	na	na	na	
336	52	†††Exterior Blower	na	na	na	na	na	na	
331H	52	†††Exterior Blower	na	na	na	na	na	na	
332H	52	†††Exterior Blower including 28000	na	na	na	na	na	na	
HLB3	52	†††In-Line Blower	na	na	na	na	na	na	
HLB6	52	†††In-Line Blower	na	na	na	na	na	na	
HLB9	52	†††In-Line Blower	na	na	na	na	na	na	
HLB11	52	†††In-Line Blower	na	na	na	na	na	na	
P5	52	Internal Blower for RMIP	na	na	na	na	na	na	
P8	52	Internal Blower for RMIP	na	na	na	na	na	na	

††† External blower for E60000, E64000, 61000EX, 63000EX, RMPE, RMIP, RMDDEX and E66000 Series.

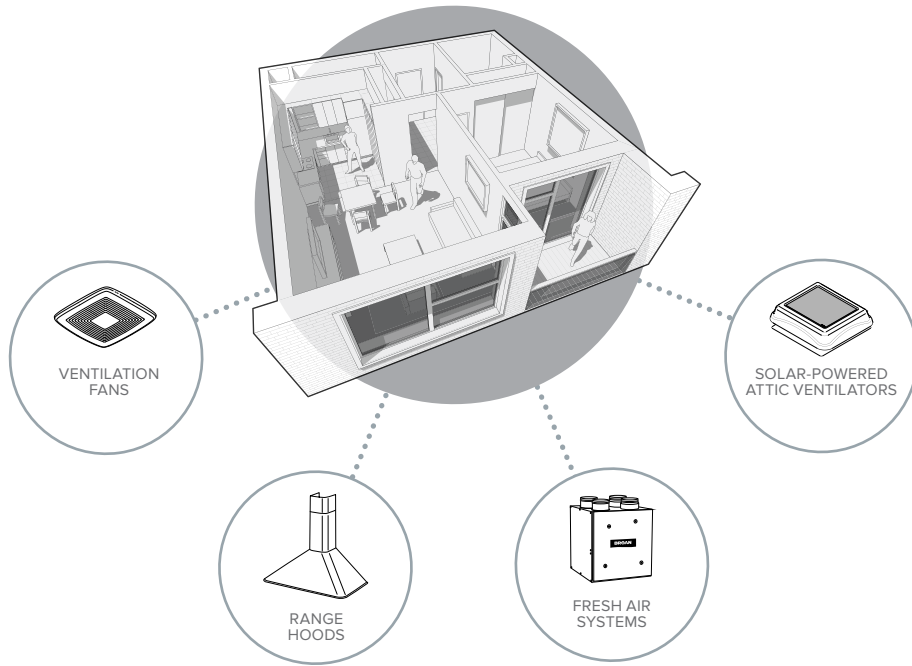
SERIES	AIR-MOVER TYPE	MOUNT HEIGHT*	VISIBLE SHELL HEIGHT (inches)	CEILING HEIGHT MAX	DUCTING SIZE	FILTERS INCL.	CFM/SONES VERT. RECT.	CFM/SONES HORIZ. RECT.	CFM/SONES VERT. ROUND	HVI
BLOWERS										
335	Centrifugal Blower	na	na	na	10" round	na	—	—	1200/na	Y
336	Centrifugal Blower	na	na	na	10" round	na	—	—	1500/na	Y
331H	Centrifugal Blower	na	na	na	10" round	na	—	—	600/na	Y
332H	Centrifugal Blower	na	na	na	10" round	na	—	—	900/na	Y
HLB3	Centrifugal Blower	na	na	na	Inlet 8" or 10" round Outlet 8" round	na	—	—	S280(H)/ S260(V)	Y
HLB6	Centrifugal Blower	na	na	na	Inlet 10" round Outlet 10" round	na	—	—	S600(H)/ S600(V)	Y
HLB9	Centrifugal Blower	na	na	na	Inlet 10" round Outlet 10" round	na	—	—	S800(H)/ S700(V)	Y
HLB11	Centrifugal Blower	na	na	na	Inlet 10" round Outlet 10" round	na	—	—	S1100(H)/ S1000(V)	Y
P5	Centrifugal Blower	na	na	na	3-1/4" x 10" (V, H)	na	460/10.5	500/10	—	Y
P8	Dual Centrifugal Blower	na	na	na	3-1/4" x 14" (V, H)	na	850/10.5	900/10	—	Y



HVI-2100 CERTIFICATION

Broan range hoods are tested and certified by the Home Ventilating Institute. This is your assurance that each Broan unit has been tested and found to consistently deliver the air and sound performance specified.

Broan range hoods can be used to comply with California Title 24.



THE LEADER IN RESIDENTIAL INDOOR AIR QUALITY.
WELCOME TO A BROAN HOME.

Broan® is America's leading brand of residential ventilation products including range hoods, ventilation fans, fresh air systems, electric and solar-powered attic ventilators.



Broan.com

Broan, 926 W. State Street
Hartford, WI 53027 **800-558-1711**

America's Choice For Green Builders® Proud to be ENERGY STAR® partners.



0 26715 25315 9