

Registered to
ISO9001:
2000 Standard

Registered
to ISO/TS
16949:2002
Standard

BREEZE - Quality Clamps for Every Application

- air lines • water lines • oil lines • gas lines • fuel lines • hose connections •
- rubber hose • silicone hose • hydraulic hose • plastic pipe • duct work •
- tubing • pipe boots • elbow joints • irrigation systems • pipe fittings • rubber sleeves •
- cable splices • laboratory • welding lines • miscellaneous fastening applications, etc. •
- AIRCRAFT • INDUSTRIAL • O.E.M. • AUTOMOTIVE • MARINE • PLUMBING • HARDWARE •

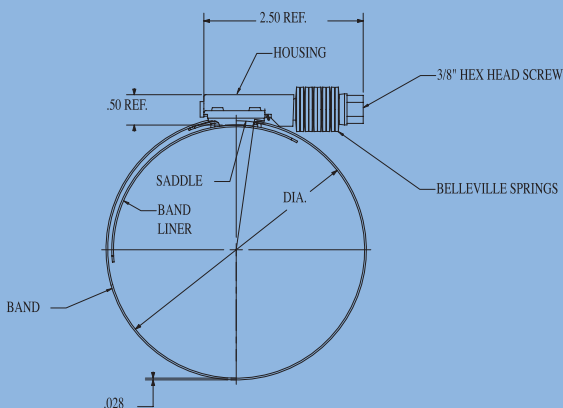
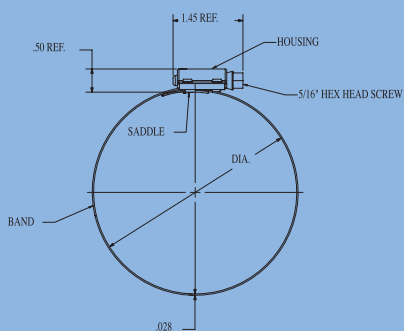
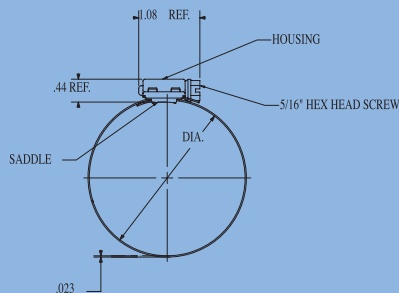
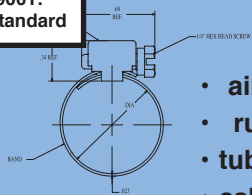
BREEZE
Clamp Catalog

BREEZE®

YOUR ONE SOURCE FOR QUALITY CLAMPS

BREEZE Corporations introduced, pioneered and has been supplying worm-drive hose clamps to the aircraft, automotive, heavy duty vehicle and industrial markets for over fifty years. The Breeze Aero-Seal Clamp was invented and patented specifically for use on aircraft engines to supply the vibration proof sealing integrity necessary on critical oil line connections. From this initial

aircraft application, Breeze Aero-Seal clamps were drawn into hose sealing applications in all segments of industry where this much needed, vibration proof clamp proved itself as a versatile, convenient, rugged and reliable clamping product. All Breeze clamps are produced to stringent aircraft, vehicle, and international quality standards. They have been imitated or approximated - but for widest utility and performance, and on the basis of design refinement and performance, Breeze Clamps have no equal. Breeze has continuously developed and expanded its product line of clamps since the first Aero-Seals - each line is designed for specific areas of use with performance features and refinements that set it apart, but all conform to the same basic, high quality Breeze engineering standards. Breeze Miniatures, Power-Seals, Aero-Seals, Euro-Seals, Liner Clamps, NAS, AN, and MS Clamps, Hi-Torques, Constant-Torques, Make-A-Clamp Kits, and T-Bolt/V-Band Clamps continue to enable each industry and user to meet exact requirements with items of proven quality and reliability.



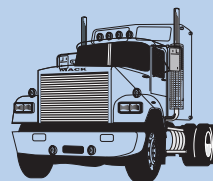
AERO-SPACE



INDUSTRIAL



AUTOMOTIVE



HEAVY-DUTY



MARINE

Distributed By:

A.C.McGunnigle Co. Inc.

100 Market Street • Kenilworth, NJ 07033
TEL: 908-298-8600 • FAX: 908-298-8620

Email: info@breezehoseclamps.com
Website: www.breezehoseclamps.com



Leaders in Clamping Technology

MINIATURE CLAMPS

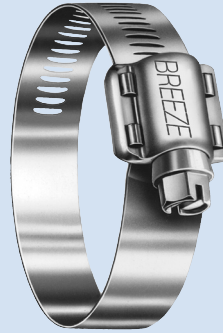


A lightweight, streamlined clamp generally used in small diameter applications such as air & fuel lines. The streamlined configuration allows for installation in tight fitting or difficult to reach areas. This clamp creates high sealing pressure with only 10 to 15 in./lbs. of installation torque. 5/16" (7.9mm) Band

STOCK NUMBERS				EFFECTIVE DIAMETER RANGE			
Plated Hex Screw	410 S.S. Hex Screw	300 S.S. Hex Screw	All 316 S.S.	Min.		Max.	
				in.	mm	in.	mm
3504	3604	3704	3804	7/32	5.6	5/8	16
3506	3606	3706	3806	7/16	11	25/32	23
3508	3608	3708	3808	1/2	13	29/32	20
3510	3610	3710	3810	9/16	14	1-1/16	27
3512	3612	3712		11/16	17	1-1/4	32
3516	3616	3716		15/16	24	1-1/2	38
3520	3620	3720		1-3/16	30	1-3/4	44
3524	3624	3724		1-7/16	37	2	51
3528	3628	3728		1-11/16	43	2-1/4	57
3532	3632	3732		1-15/16	49	2-1/2	64
3536	3636	3736		2-3/16	56	2-3/4	70

POWER-SEAL® General Purpose Industrial Clamps

General purpose automotive and industrial clamps. High strength 4-piece Quadra-Lock construction. Exceeds all SAE requirements. Use for all standard clamp applications. 1/2" (12.7mm) band.



STOCK NUMBERS		EFFECTIVE DIAMETER RANGE			
Plated Hex Screw	Stainless Hex Screw	Min.		Max.	
		in.	mm	in.	mm
62006	64006	7/16	11	25/32	20
62008	64008	1/2	13	29/32	23
62010	64010	9/16	14	1-1/16	27
62012	64012	11/16	17	1-1/4	32
62016	64016	13/16	21	1-1/2	38
62020	64020	13/16	21	1-3/4	44
62024	64024	1-1/16	27	2	51
62028	64028	1-5/16	33	2-1/4	57
62032	64032	1-9/16	40	2-1/2	64
62036	64036	1-13/16	46	2-3/4	70
62040	64040	2-1/16	52	3	76
62044	64044	2-5/16	59	3-1/4	83
62048	64048	2-9/16	65	3-1/2	89
62052	64052	2-13/16	71	3-3/4	95
62056	64056	3-1/16	78	4	102
62060	64060	3-5/16	84	4-1/4	108
62064	64064	3-9/16	91	4-1/2	114
62072	64072	1-7/8	48	5	127
62080	64080	2-1/2	64	5-1/2	140
62088	64088	3-1/8	79	6	152
62096	64096	3-5/8	92	6-1/2	165
62104	64104	4-1/8	105	7	178
62128	64128	5-5/8	143	8-1/2	216
62152	64152	7-1/8	181	10	254
62188	64188	9-3/8	238	12-1/4	311

Aero-Seal® Industrial/Aircraft Clamps

The original stainless steel worm-drive clamp. Heavy duty four-piece QUADRA-LOCK construction enables far more tightening torque to be delivered to the band perforations. Use for aircraft and heavy-duty industrial applications. 9/16" (14.2mm) band.



* 200 series also available with wing/thumb screw.

STOCK NUMBERS		EFFECTIVE DIAMETER RANGE			
Plated Hex Screw	Stainless Hex Screw	Min.		Max.	
		in.	mm	in.	mm
10006	20006*	7/16	11	25/32	20
10008	20008	1/2	13	29/32	23
10010	20010	9/16	14	1-1/16	27
10012	20012	11/16	17	1-1/4	32
10016	20016	13/16	21	1-1/2	38
10020	20020	13/16	21	1-3/4	44
10024	20024	1-1/16	27	2	51
10028	20028	1-5/16	33	2-1/4	57
10032	20032	1-9/16	40	2-1/2	64
10036	20036	1-13/16	46	2-3/4	70
10040	20040	2-1/16	52	3	76
10044	20044	2-5/16	59	3-1/4	83
10048	20048	2-9/16	65	3-1/2	89
10052	20052	2-13/16	71	3-3/4	95
10056	20056	3-1/16	78	4	102
10060	20060	3-5/16	84	4-1/4	108
10064	20064	3-9/16	91	4-1/2	114
10072	20072	1-7/8	48	5	127
10080	20080	2-1/2	64	5-1/2	140
10088	20088	3-1/8	79	6	152
10096	20096	3-5/8	92	6-1/2	165
100104	200104	4-1/8	105	7	178
100128	200128	5-5/8	143	8-1/2	216
100152	200152	7-1/8	181	10	254
100188	200188	9-3/8	238	12-1/4	311

MARINE GRADE High Corrosion Resisting Clamps

All parts 300 series stainless steel. High corrosion resistant stainless steel clamps necessary for marine, underground, and other high corrosion applications. Also available in 316 Stainless Steel - use 316 prefix for Aero-Seal construction and 660 prefix for Power-Seal construction.



* For embossed design marine grade clamps, see Euro-Seal 73000 & 76000 series.
* See Marine Products catalog for complete product information.

STOCK NUMBERS		EFFECTIVE DIAMETER RANGE			
Aero-Seal Construction	Power-Seal Construction	Min.		Max.	
		in.	mm	in.	mm
30006	63006	7/16	11	25/32	20
30008	63008	1/2	13	29/32	23
30010	63010	9/16	14	1-1/16	27
30012	63012	11/16	17	1-1/4	32
30016	63016	13/16	21	1-1/2	38
30020	63020	13/16	21	1-3/4	44
30024	63024	1-1/16	27	2	51
30028	63028	1-5/16	33	2-1/4	57
30032	63032	1-9/16	40	2-1/2	64
30036	63036	1-13/16	46	2-3/4	70
30040	63040	2-1/16	52	3	76
30044	63044	2-5/16	59	3-1/4	83
30048	63048	2-9/16	65	3-1/2	89
30052	63052	2-13/16	71	3-3/4	95
30056	63056	3-1/16	78	4	102
30060	63060	3-5/16	84	4-1/4	108
30064	63064	3-9/16	91	4-1/2	114
30072	63072	1-7/8	48	5	127
30080	63080	2-1/2	64	5-1/2	140
30088	63088	3-1/8	79	6	152
30096	63096	3-5/8	92	6-1/2	165
300104	63104	4-1/8	105	7	178
300128	63128	5-5/8	143	8-1/2	216
300152	63152	7-1/8	181	10	254
300188	63188	9-3/8	238	12-1/4	311

LINER CLAMPS For Soft/Silicone Hose

Protects soft-surface hose (silicone and others) from damage caused by extrusion or shearing through the band slots through an integral extension of the band as an inner protective liner. Breeze liner clamps give the truest concentric seal of any clamp made.

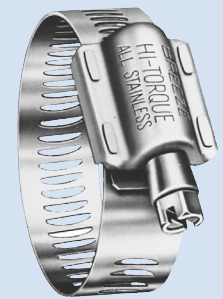


Liner clamps also available in Hi-Torque and Power-Seal Series.

STOCK NUMBERS		EFFECTIVE DIAMETER RANGE			
Plated Hex Screw	Stainless Hex Screw	Min.		Max.	
		in.	mm	in.	mm
9206	9406	7/16	11	25/32	20
9208	9408	1/2	13	29/32	23
9210	9410	9/16	14	1-1/16	27
9212	9412	11/16	17	1-1/4	32
9216	9416	13/16	21	1-1/2	38
9220	9420	13/16	21	1-3/4	44
9224	9424	1-1/16	27	2	51
9228	9428	1-5/16	33	2-1/4	57
9232	9432	1-9/16	40	2-1/2	64
9236	9436	1-13/16	46	2-3/4	70
9240	9440	2-1/16	52	3	76
9244	9444	2-5/16	59	3-1/4	83
9248	9448	2-9/16	65	3-1/2	89
9252	9452	2-13/16	71	3-3/4	95
9256	9456	3-1/16	78	4	102
9260	9460	3-5/16	84	4-1/4	108
9264	9464	3-9/16	91	4-1/2	114
9272	9472	4-1/8	105	5	127
9280	9480	4-5/8	117	5-1/2	140
9288	9488	5-1/8	130	6	152
9296	9496	5-5/8	143	6-1/2	165
92104	94104	6-1/8	156	7	178

HI-TORQUE® Super Heavy-Duty Clamps

The strongest worm-gear clamp made in the world today. Withstands more than 4 times the SAE torque requirements for Type F worm-drive clamps. Eight screw-threads are engaged in the band simultaneously for incredible torquing drive (over 150 in.lbs.), sealing pressure, and vibration resistance. 5/8" (15.8mm) band Also available in 316 Stainless Steel - use HTS prefix for standard ranges and HPS prefix for extended ranges.



Available with Liner

STOCK NUMBERS		EFFECTIVE DIAMETER RANGE			
Hi-Torque 410 SS	Hi-Torque 300 Series SS Marine	Min.		Max.	
		in.	mm	in.	mm
HTM-175	HTM-175 SP	1	25	1-3/4	45
HTM-200	HTM-200 SP	1-1/4	32	2-1/8	54
HTM-250	HTM-250 SP	1-3/4	45	2-5/8	67
HTM-300	HTM-300 SP	2-1/4	57	3-1/8	79
HTM-350	HTM-350 SP	2-3/4	70	3-5/8	92
HTM-400	HTM-400 SP	3-1/4	83	4-1/8	105
HTM-450	HTM-450 SP	3-3/4	95	4-5/8	118
HTM-500	HTM-500 SP	4-1/4	108	5-1/8	130
HTM-550	HTM-550 SP	4-3/4	121	5-5/8	143
HTM-600	HTM-600 SP	5-1/4	133	6-1/8	156
HTM-650	HTM-650 SP	5-3/4	146	6-5/8	168
HTM-700	HTM-700 SP	6-1/4	159	7-1/8	181
HTM-750	HTM-750 SP	6-3/4	172	7-5/8	194
HTM-800	HTM-800 SP	7-1/4	184	8-1/8	206
HTM-850	HTM-850 SP	7-3/4	197	8-5/8	219
HTM-900	HTM-900 SP	8-1/4	210	9-1/8	232
EXTENDED RANGE SIZES					
HP-2	HP-2 SP	1-1/4	32	2-5/8	67
HP-3	HP-3 SP	2-1/8	54	4-1/8	105
HP-4	HP-4 SP	4	102	6-1/8	156
HP-5	HP-5 SP	6-1/8	156	9-1/8	232

EURO-SEAL® CLAMPS

The Euro-Seal embossed band-thread clamp combines our experience in manufacturing high strength/high performance perforated worm-gear clamps with the European preference for embossed design clamps for better hose protection. They have embossed threads and round band edges that prevent hose extrusion or damage caused by traditional band slot perforations. This style is OE specified and preferred by many European Vehicle manufacturers.

1/2" (12.7mm) band



STOCK NUMBERS			EFFECTIVE DIAMETER RANGE			
72000 Plated Hex Screw	73000 304 SS Marine	76000 316 SS Marine	Min.		Max.	
			in.	mm	in.	mm
72006	73006	76006	7/16	11	25/32	20
72008	73008	76008	1/2	13	29/32	23
72010	73010	76010	9/16	14	1-1/16	27
72012	73012	76012	11/16	17	1-1/4	32
72016	73016	76016	13/16	21	1-1/2	38
72020	73020	76020	13/16	21	1-3/4	44
72024	73024	76024	1-1/16	27	2	51
72028	73028	76028	1-5/16	33	2-1/4	57
72032	73032	76032	1-9/16	40	2-1/2	64
72036	73036	76036	1-13/16	46	2-3/4	70
72040	73040	76040	2-1/16	52	3	76
72044	73044	76044	2-5/16	59	3-1/4	83
72048	73048	76048	2-9/16	65	3-1/2	89
72052	73052	76052	2-13/16	71	3-3/4	95
72056	73056	76056	3-1/16	78	4	102
72060	73060	76060	3-5/16	84	4-1/4	108
72064	73064	76064	3-9/16	91	4-1/2	114
72072	73072	76072	4-1/16	103	5	127
72080	73080	76080	4-9/16	116	5-1/2	140
72088	73088	76088	5-1/16	129	6	152
72096	73096	76096	5-9/16	141	6-1/2	165
72104	73104	76104	6-1/16	154	7	178

CONSTANT-TORQUE® CLAMPS

A revolutionary clamp that reacts to changes in hose systems by actually increasing or decreasing its own diameter as the system expands or contracts. The BREEZE "Constant-Torque" Clamping System is the answer for any manufacturer experiencing leakage or rupture problems because of "cold flow" or changes in environmental or operational temperatures.

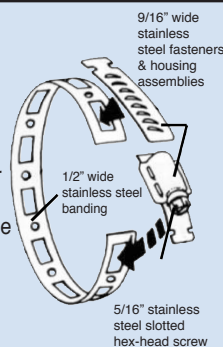


STOCK NUMBERS	EFFECTIVE DIAMETER			
	Min.		Max.	
	in.	mm	in.	mm
<i>AERO-SEAL construction for use on small diameter applications-torque rated 30-70 in./lbs.</i>				
CT-9410	9/16	14	1-1/16	27
CT-9412	11/16	17	1-1/4	32
CT-9416	13/16	21	1-1/2	38
CT-9420	13/16	21	1-3/4	44
CT-9424	1-1/16	27	2	51
CT-9428	1-5/16	33	2-1/4	57
CT-9432	1-9/16	40	2-1/2	64
CT-9436	1-13/16	46	2-3/4	70
CT-9440	2-1/16	52	3	76
CT-9444	2-5/16	59	3-1/4	83
CT-9448	2-9/16	65	3-1/2	89
CT-9452	2-13/16	71	3-3/4	95
<i>Heavy-duty construction for use on large diameter applications-torque rated 50-125 in./lbs.</i>				
CT-200L	1-1/4	32	2-1/8	54
CT-250L	1-3/4	45	2-5/8	67
CT-300L	2-1/4	57	3-1/8	79
CT-350L	2-3/4	70	3-5/8	92
CT-400L	3-1/4	83	4-1/8	105
CT-450L	3-3/4	95	4-5/8	118
CT-500L	4-1/4	108	5-1/8	130
CT-550L	4-3/4	121	5-5/8	143
CT-600L	5-1/4	133	6-1/8	156
CT-650L	5-3/4	146	6-5/8	168
CT-700L	6-1/4	159	7-1/8	181
CT-750L	6-3/4	172	7-5/8	194
CT-800L	7-1/4	184	8-1/8	206
CT-850L	7-3/4	197	8-5/8	219
CT-900L	8-1/4	210	9-1/8	232

MakeAclamp®



This is a maintenance "clamp system" in a box. By simply cutting off a piece of banding from a continuous roll, you can make any size 100% stainless steel worm-drive clamp from 3" diameter on up (10 inch or 10 foot diameter, you pick it and you do it in fifteen seconds). It's a must for anyone who's likely to encounter requirements for varying sized large clamps. Reusable. Superior to and more versatile than "crimp/buckle" banding and strapping products.



MAKE ANY SIZE CLAMP

STOCK NO.	CONTENTS	PACKED	WT. PER CTN.
4000	Mini Kit: 8-1/2 Ft. band, 3 adj. fasteners, 1 band splice	10 Kits/box, 5 boxes (50 Kits) per carton	28
4001	Kit with 100 Ft. band, 25 adj. fasteners, 10 band splices	6 kits to std. carton	32
4002	Kit with 50 Ft. band, 10 adj. fasteners, 5 band splices	6 kits to std. carton	18
4003	Box of 25 adj. fasteners	10 boxes to std. carton (250 fast.)	16
4004	Box of 10 adj. fasteners	20 boxes to std. carton (200 fast.)	13
4005	Box with 100 Ft. band, 10 band splices	6 boxes to standard carton	22
4006	Box with 50 Ft. band, 5 band splices	6 boxes to standard carton	12
4007	6" demonstrator kit with clamp	Packed by the unit	4 oz.
4008	Box of 10 band splices	10 boxes (100 band splices per carton)	13 oz.

AEROSPACE & "MIL" SPEC CLAMPS



MS35842 Clamps - Primarily a military vehicle and ordnance clamp. Low pressure, type "F." Federal Supply Class 4730. Slotted hex head screw. 100% stainless steel.

AN737TW Clamps - Primarily an aircraft application clamp. Federal Supply Class 4730. Stainless steel band, housing and saddle with stainless steel thumb (wing) screw.

NAS1924 Clamps - Available above size 48.

NAS1922 Clamps - Primarily a light-weight, aircraft application clamp. Federal Supply Class 4730. 100% stainless steel. Available with either round slot (-1) or hex head (-3) screw. Both screw styles can be supplied with optional Lock Wire hole (H).

NAS 1922 Clamps Stock Numbers	DIAMETER RANGE			
	Min.		Max.	
	in.	mm	in.	mm
NAS 1922 - 0050	.43	11	.63	16
NAS 1922 - 0075	.55	14	.87	22
NAS 1922 - 0100	.71	18	1.10	28
NAS 1922 - 0125	.94	24	1.42	36
NAS 1922 - 0150	.98	25	1.77	45
NAS 1922 - 0175	1.26	32	2.05	52
NAS 1922 - 0200	1.57	40	2.36	60
NAS 1922 - 0225	1.85	47	2.64	67
NAS 1922 - 0275	2.44	62	3.23	82
NAS 1922 - 0350	3.03	77	3.82	97
NAS 1922 - 0400	3.62	92	4.41	112
NAS 1922 - 0450	4.21	107	5.00	127
NAS 1922 - 0525	4.80	122	5.59	142
NAS 1922 - 0575	5.39	137	6.18	157
NAS 1922 - 0625	5.98	152	6.77	172
NAS 1922 - 0700	6.57	167	7.36	187
NAS 1922 - 0750	7.17	182	7.95	202
NAS 1922 - 0825	7.76	197	8.54	217
NAS 1922 - 0875	8.35	212	9.13	232
NAS 1922 - 0925	8.94	227	9.72	247
NAS 1922 - 1000	9.53	242	10.31	262



STOCK NUMBERS	DIAMETER RANGE			
	Min.		Max.	
	in.	mm	in.	mm
MS35842 CLAMPS				
MS35842-10	7/16	11	25/32	20
MS35842-11	11/16	17	1-1/4	32
MS35842-12	1-1/16	27	2	51
MS35842-13	1-13/16	46	2-3/4	70
MS35842-14	2-9/16	65	3-1/2	89
MS35842-15	3-5/16	84	4-1/4	108
MS35842-16	4-1/8	105	7	178
AN737TW CLAMPS				
AN737TW-22	7/16	11	11/16	17
AN737TW-24	1/2	13	3/4	19
AN737TW-26	9/16	14	13/16	21
AN737TW-30	11/16	17	15/16	23.8
AN737TW-34	13/16	21	1-1/16	27
AN737TW-38	15/16	23.8	1-3/16	30
AN737TW-44	61/64	24.2	1-3/8	35
AN737TW-46	1	25	1-7/16	37
AN737TW-48	1-3/64	27	1-1/2	38
AN737TW-44-48	61/64	24.2	1-1/2	38
AN737TW-56	1-21/64	34	1-3/4	44
AN737TW-58	1-3/8	35	1-13/16	46
AN737TW-66	1-5/8	41	2-1/16	52
AN737TW-56-66	1-21/64	34	2-1/16	52
AN737TW-74	1-7/8	48	2-5/16	59
AN737TW-82	2-1/8	54	2-9/16	65
AN737TW-91	2-13/32	61	2-27/32	72
AN737TW-74-91	1-7/8	48	2-27/32	72
AN737TW-98	2-5/8	67	3-1/16	73
AN737TW-107	2-29/32	71	3-11/32	85
AN737TW-114	3-1/8	79	3-9/16	90
AN737TW-98-114	2-5/8	67	3-9/16	90

BREEZE T-BOLT & V-BAND CLAMPS

Breeze provides comprehensive application coverage with stainless steel T-Bolt, spring-loaded T-Bolt and Turbo V-Band clamps which are performance engineered for long term durability and manufactured to the highest quality standards.

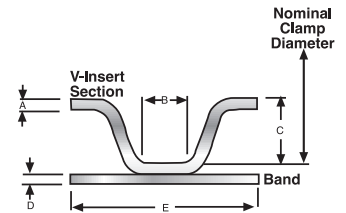
Applications Includes:

- Turbo
- Marine Exhaust
- Sump Pump
- Diesel Exhaust
- Air Brakes
- Diaphragm Bodies
- Flanged Tanks
- Pumps
- Dairy Industry
- Cannisters
- Lab Equipment
- Bleed Air Systems
- Filter Bags
- Sanitary Systems

Custom Designs & Sizes Available



V-Band Cross Section



V-Band

V-BAND DIMENSIONS						
Stock No.	Nominal Diameter	V-Insert Sections			Bands	
		A	B	C	D	E
VT10288	2.88"	.060	.207	.281	.035	.750
VT10321	3.21"	.050	.262	.141	.035	.750
VT10350	3.50"	.080	.207	.281	.040	.875
VT10382	3.82"	.077	.207	.281	.040	.875
VT10388	3.88"	.050	.400	.281	.040	.875
VT10406	4.06"	.077	.239	.281	.050	.875
VT10413	4.13"	.050	.262	.141	.035	.750
VT10419	4.19"	.050	.400	.281	.040	.875
VT10425	4.25"	.050	.400	.281	.040	.875
VT10450-A	4.50"	.077	.207	.281	.040	.875
VT10450	4.50"	.050	.262	.141	.035	.750
VT10461	4.61"	.050	.156	.218	.035	.750
VT10469	4.69"	.050	.400	.281	.040	.875
VT10475	4.75"	.050	.400	.281	.040	.875
VT10475-A	4.75"	.077	.158	.310	.040	.875
VT10481	4.81"	.077	.207	.281	.040	.875
VT10491	4.91"	.040	.293	.296	.050	.875
VT10494	4.94"	.060	.181	.281	.035	.750
VT10510	5.10"	.050	.262	.141	.035	.750
VT10525	5.25"	.050	.262	.141	.035	.750
VT10530	5.30"	.050	.262	.141	.035	.750
VT10565	5.65"	.050	.262	.141	.035	.750
VT10581	5.81"	.077	.207	.281	.062	.875
VT10588	5.88"	.050	.400	.281	.040	.875
VT10588-1	5.88"	.050	.400	.281	.040	.875
VT10592	5.92"	.090	.293	.296	.050	.875
VT10688	6.88"	.060	.400	.281	.040	.875
VT10808	8.08"	.050	.262	.141	.035	.750
VT10835	8.35"	.080	.207	.281	.050	.875

	Standard T-Bolt (Plated Carbon Steel Bolt)	Standard Duty Spring-Loaded T-Bolt	Heavy Duty Spring-Loaded T-Bolt	MINIMUM DIAMETER		MAXIMUM DIAMETER	
	9222	B9226	B9224	inch	mm	inch	mm
Standard T-Bolt	TB-125	----	----	1.25	31.8	1.39	35.7
	TB-138	----	----	1.38	34.9	1.52	39.7
	TB-150	----	----	1.50	38.1	1.64	42.9
	TB-163	----	----	1.63	41.3	1.88	47.6
	TB-175	----	----	1.75	44.5	2.00	50.8
	TB-188	----	----	1.88	47.6	2.19	55.6
	TB-200	----	----	2.00	50.8	2.31	58.7
	TB-213	-0213	-0213	2.13	54	2.44	61.9
	TB-225	-0225	-0225	2.25	57.2	2.56	65.1
	TB-238	-0238	-0238	2.38	60.3	2.69	68.3
	TB-250	-0250	-0250	2.50	63.5	2.81	71.4
	TB-263	-0263	-0263	2.63	66.7	2.94	74.6
	TB-275	-0275	-0275	2.75	69.9	3.06	77.8
	TB-288	-0288	-0288	2.88	73	3.19	81.0
	TB-300	-0300	-0300	3.00	76.2	3.31	84.1
	TB-306	-0306	-0306	3.06	77.8	3.38	85.7
	TB-313	-0313	-0313	3.13	79.4	3.44	87.3
	TB-325	-0325	-0325	3.25	82.6	3.56	90.5
	TB-338	-0338	-0338	3.38	85.7	3.69	93.7
	TB-350	-0350	-0350	3.50	88.9	3.81	96.8
	TB-356	-0356	-0356	3.56	90.5	3.88	98.4
	TB-363	-0363	-0363	3.63	92.1	3.94	100.0
	TB-375	-0375	-0375	3.75	95.3	4.06	103.2
	TB-400	-0400	-0400	4.00	101.6	4.31	109.5
	TB-406	-0406	-0406	4.06	103.2	4.38	111.1
	TB-413	-0413	-0413	4.13	104.8	4.44	112.7
	TB-425	-0425	-0425	4.25	108	4.56	115.9
	TB-450	-0450	-0450	4.50	114.3	4.81	122.2
	TB-456	-0456	-0456	4.56	115.9	4.88	123.8
	TB-475	-0475	-0475	4.75	120.7	5.06	128.6
	TB-500	-0500	-0500	5.00	127	5.31	134.9
	TB-525	-0525	-0525	5.25	133.4	5.56	141.3
	TB-550	-0550	-0550	5.50	139.7	5.81	147.6
	TB-575	-0575	-0575	5.75	146.1	6.06	154.0
	TB-600	-0600	-0600	6.00	152.4	6.31	160.3
	TB-625	-0625	-0625	6.25	158.8	6.56	166.7
	TB-650	-0650	-0650	6.50	165.1	6.81	173.0
	TB-675	-0675	-0675	6.75	171.5	7.06	179.4
	TB-700	-0700	-0700	7.00	177.8	7.31	185.7
	TB-725	-0725	-0725	7.25	184.2	7.56	192.1
	TB-750	-0750	-0750	7.50	190.5	7.81	198.4
	TB-775			7.75	196.9	8.06	204.8
	TB-800			8.00	203.2	8.31	211.1
	TB-825			8.25	209.6	8.56	217.5
	TB-850			8.50	215.9	8.81	223.8

Standard T-Bolt clamps are also available in 100% stainless steel. To order add suffix "SS" (ie...TB-125 SS).

- Special Order Items** - Clamps of almost any diameter, material configuration, or screw type (including thumb-grip and safety collared) can be made. Contact our Customer Service Department for Information.
- Stocking Distributors** - Our worldwide network of stocking distributors offers prompt, economic and efficient service and availability of the complete Breeze product line. Contact our Customer Service Department for information.
- Engineering Assistance** - Breeze Industrial Products' Application engineers are available to assist you with any clamp related question or problems. Contact our Engineering Sales Department.

The information provided in this catalog does not constitute either an implied warranty of merchantability or an implied warranty of fitness for a particular purpose for the products described herein. All products are sold and samples of products are provided with the express understanding that the purchaser has independently determined the suitability of such products for the purchaser's purpose.