

Breco, LLC warrants to the original purchaser that the Y Series Transit Case is free from workmanship and material defects for a period of one (1) year from invoice/receipt date. This product is covered by this limited warranty. Breco, LLC's liability and obligation is limited to repair or replacement of the product at their discretion free of charge, excluding any applicable shipping and handling fees. If the product being warranted has been discontinued, the replacement product will be of equal or similar value. Altering any Breco product, or using the product in any way other than the intended use, will void this warranty.

Claim Process: The purchaser must provide Breco, LLC with invoice/receipt of purchase and photos of the product's defects for evaluation. Claims must be submitted within one (1) year from invoice/receipt date. Upon approval of claim, Breco, LLC will issue a return for repair, or return for exchange of the defective product free of charge, excluding any applicable shipping and handling fees.

Exclusions: This warranty does not cover damage or product failure caused by:

- Normal wear and tear
- Accident, misuse, negligence, tampering, modifications, act of war, overloading
- Improper attachment, improper maintenance, or failure to maintain.

Breco, LLC is held harmless for any injury or death caused by the misuse of this product.

This warranty does not cover damage caused by proper or improper use of our products to any surrounding surfaces, structures, or furnishings.

Notice: This warranty gives you specific legal rights providing said product is put to its proper designated use.

THIS WARRANTY IS EXPRESSLY IN LIEU OF ALL OTHER WARRANTIES, EXPRESS OR IMPLIED, INCLUDING THE WARRANTY OF MERCHANTABILITY AND FITNESS FOR A PARTICULAR PURPOSE. NO ORAL AGREEMENT, GUARANTEE, PROMISE, REPRESENTATION OR WARRANTY SHALL BE BINDING. IN NO EVENT WILL BRECO, LLC BE LIABLE FOR ANY SPECIAL, INDIRECT, INCIDENTAL OR CONSEQUENTIAL DAMAGES EVEN IF BRECO, LLC HAS BEEN ADVISED OF THE POSSIBILITY OF SUCH DAMAGES AND EVEN IF BRECO, LLC HAS KNOWLEDGE THAT FAILURE TO PERFORM COULD CAUSE CONSEQUENTIAL ECONOMIC LOSSES. IN ANY EVENT, CUMULATIVE DAMAGES FOR BREACH OF THIS WARRANTY WILL BE LIMITED TO THE AMOUNT ACTUALLY PAID TO BRECO, LLC FOR THE PRODUCT. THIS PARAGRAPH SHALL APPLY TO ALL ACTIONS RELATED TO THE PRODUCT, WHETHER BASED ON TORT, CONTRACT OR OTHER THEORIES. THE PURCHASER ACKNOWLEDGES THAT THIS PARAGRAPH ALLOCATES THE RISK OF PRODUCT FAILURE BETWEEN BRECO, LLC AND THE PURCHASER, AND THAT THIS ALLOCATION IS REFLECTED IN THE PRICE PAID.



WWW.BRECO.CO

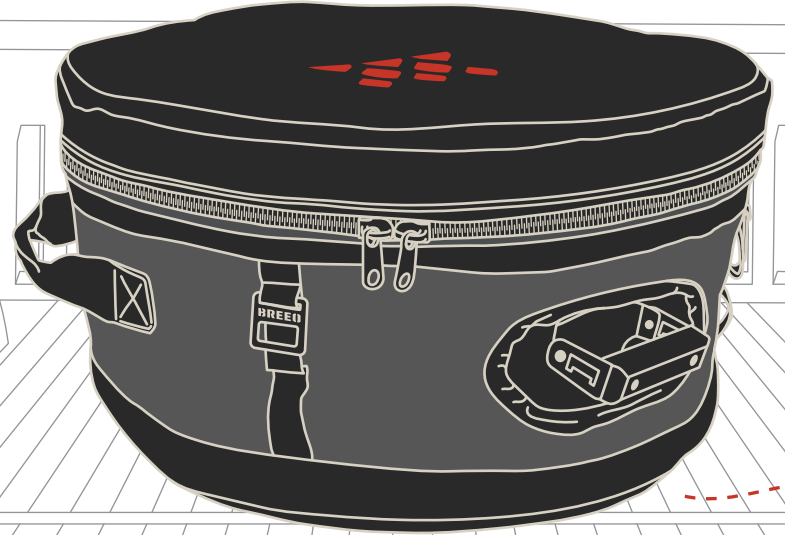
(800) 413-9848

CONTACT@BRECO.LLC

© 2023 Breco LLC. All rights reserved. 3/23



Y SERIES TRANSIT CASE



BUILT-IN FEATURES

PROTECTION

Padded for protection and sound dampening. Water-resistant lid and bottom.

COMPATIBLE

With Y Series Lid.

EASY CLEAN

Heavy-duty vinyl interior for easy cleaning.

TOUGH MATERIAL

Rugged SunMaster™ fabric sides.

HANDLES

Attached nylon web handles (two).

NON-SKID

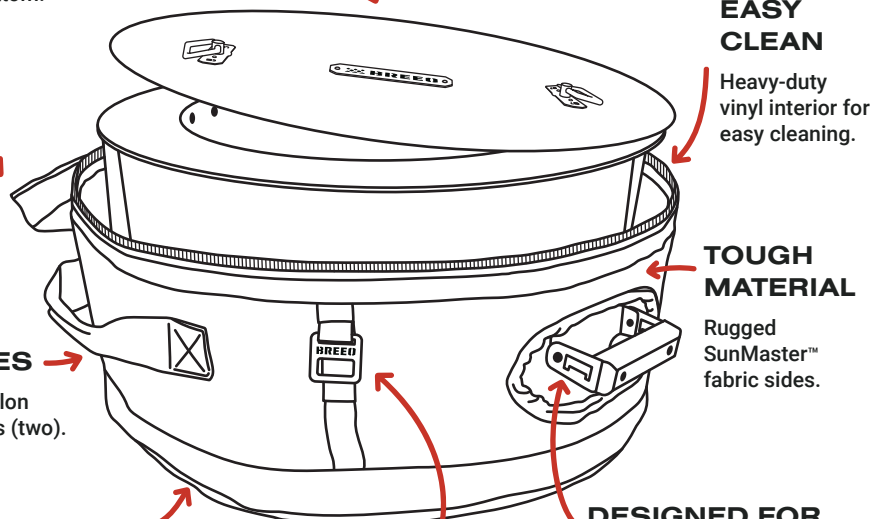
Slip-resistant when packed.

VERSATILE D-RINGS

Attached D rings (four) for strapping down—also work as bottle openers.

DESIGNED FOR Y SERIES FIRE PIT

Opening on side for access to Y Series Fire Pit handle.



HOW TO USE

STEP 1

PREP

Set the case on a flat surface with the lid facing up. Fully unzip lid of case and open.

STEP 2

STOW

Make sure the Y Series Fire Pit is completely cooled down. Adjust legs of the fire pit to STOW setting. Fold handle on the fire pit all the way down.

STEP 3

STORE

Align handle on fire pit with handle opening on case. Place the fire pit right side up into the case. Make sure the handle of the fire pit can be folded out of the opening in the side of the case.

STEP 4

LOAD

Insert any items such as gloves, wood pellets, fire starters, tinder, etc. you want to store inside the fire pit (we suggest avoiding heavy, clunky items that may shift and rattle during transport).

STEP 5

GO

Close the lid and fully zipper shut. Use the exposed handle of the fire pit or the two handles on the case for transport. Use attached D rings to strap down/secure if needed. Make sure the handle on the Y Series Fire Pit is folded down and out of the way when packing.

CLEANING

Dump out any ash or debris that may have gathered inside the case. Use a damp cloth to wipe out any residual ash or debris left behind. You can also use a damp cloth to clean the outer surface of the case.

WARNING

For use with Breeo Y Series Smokeless Fire Pit only. Always make sure the fire pit is cool to the touch before placing it in the case. Do not place the fire pit into case while it has hot coals inside or if still hot. Fabric of the case is not flame or heat proof.

Make sure the lid of the case is completely closed before transport.