

## ALOHA PORCELAIN ENAMEL 60" X 30" X 14 1/4" BATHTUB STANDARD BACK DESIGN



011-2364 RH DRAIN, SLIP RESISTANT  
011-2365 LH DRAIN, SLIP RESISTANT

### *DESCRIPTION:*

The Aloha is a 60" x 30" x 14 1/4" bathtub – the industries #1 selling porcelain enamel bathtub is full length bath offering exceptional performance and roominess for a recess application. The Aloha has a traditional design with a standard “straight” back support. Construction is a one piece heavy gauge seamless steel with an acid resistant porcelain enamel finish. The Aloha weighs 67 lbs., easy to install into a bathtub alcove - “just set it and level it”. Free standing on a full length support pad that offers added strength and sound deadening. This product is compatible or complies with ASME A112.19.1/ CSA B45.2 (Standard for Enameled Steel Plumbing Fixtures), ADA (American Disabilities Act), ASTM F 462 (Safety Specification for Slip Resistant Bathing Facilities), WW-P 541 (U.S. Military Federal Specification), HUD-FHA-VA, LEED, and the Buy American Act, as applicable when installed accordingly. Available in white, bone and biscuit colors with a right and left drain. Made in the USA.

Weight: 67 lbs

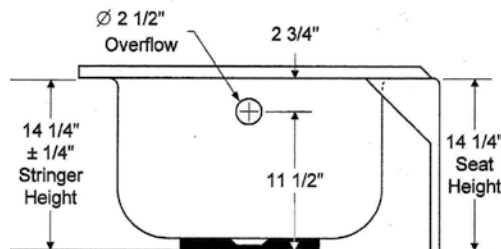
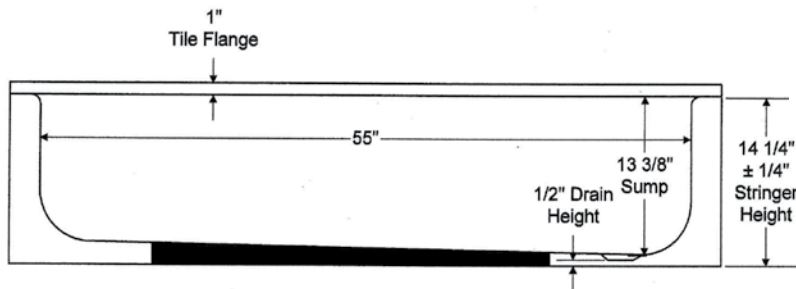
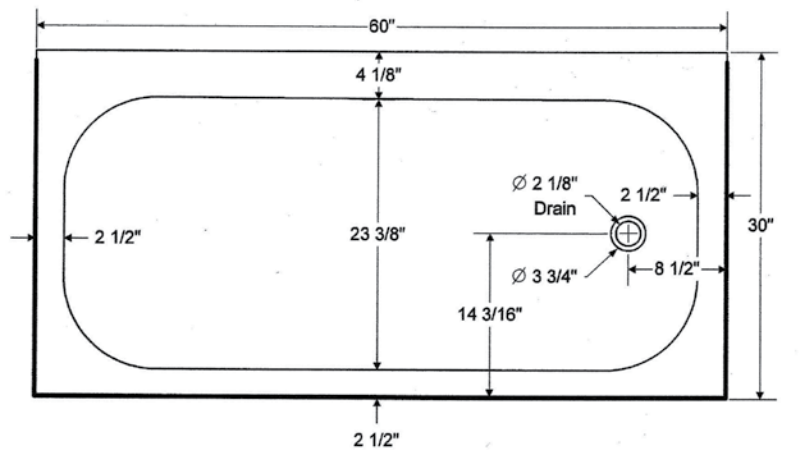


1400 Park Street • P.O. Box 18010 • Evansville, IN 47719-1010 • (812) 423-5401 • Fax (812) 429-2254 • [www.bootz.com](http://www.bootz.com) • [webmaster@bootz.com](mailto:webmaster@bootz.com)

# ALOHA PORCELAIN ENAMEL 60" X 30" X 14 1/4" BATH TUB STANDARD BACK DESIGN

## ALOHA 5' Bathtub 60" x 30" x 14 1/4" Standard Outlet

011-2364 RH Drain, slip resistant  
011-2365 LH Drain, slip resistant



**Complies with:**  
All fixtures are compatible or comply with ANSI, ASME, CSA, WW-P 541, HUD-FHA-VA, LEED and the "Buy America Act" where applicable when installed accordingly.

**Standard Features:**  
"The affordable alternative to cast iron"  
Full length sound deadening pad  
Slip resistant bottom  
Set it and level it

**Made in the USA**

All Dimensions +/- 1/8" unless otherwise noted.  
Dimensions shown are for reference.  
Actual dimensions may vary slightly and should be checked prior to installation  
SS 5/14

