

AZALEA 20" X 17"
PORCELAIN ENAMEL
OVAL LAVATORY



021-2445 CENTERSET PUNCH, SELF-RIM
021-2445M CENTERSET PUNCH, SELF-RIM (6 PACK)

DESCRIPTION:

The Azalea is a 20" x 17" x 6 1/2" oval self-rimming porcelain enamel lavatory with 4" centersets - attractive oval styling - flat mounting surface without soap depressions accommodates the latest faucet designs - "contractor friendly" stud and clip mounting assembly for quick and easy installation - weighs only 10 lbs., acid resistant porcelain enameled steel - plastic overflow eliminates pop-offs and rust - installation template printed on shipping carton - and install. Available in 3, 4 and 5 hole installation in white, bone or biscuit colors. This product is compatible or complies with ASME A112.19.1/CSA B45.2 (Standard for Enameled Steel Plumbing Fixtures), WW-P 541 (U.S. Military Federal Specification), HUD-FHA-VA, LEED, and the Buy American Act, as applicable when installed accordingly. Faucets not included. Made in the USA.

Weight: 10 lbs

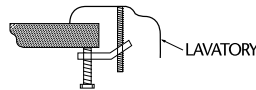
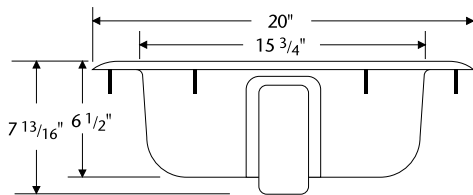
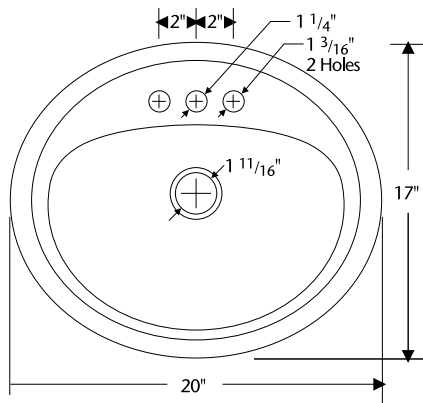


1400 Park Street • P.O. Box 18010 • Evansville, IN 47719-1010 • (812) 423-5401 • Fax (812) 429-2254 • www.bootz.com • webmaster@bootz.com

AZALEA 20" X 17" PORCELAIN ENAMEL OVAL LAVATORY

Azalea Oval Lavatory 20" x 17" (studs w/o soap depressions)

021-2445 Centerset punch, self-rim
021-2445M Centerset punch, self-rim (6 pack)



Complies with:
All fixtures are compatible or comply with ANSI, ASME, CSA, WW-P 541, HUD-FHA-VA, LEED and the "Buy America Act" where applicable when installed accordingly.

Standard Features:
"The affordable alternative to cast iron"
Full length sound deadening pad
Slip resistant bottom
Set it and level it

Made in the USA

All Dimensions +/- 1/8" unless otherwise noted.
Dimensions shown are for reference.
Actual dimensions may vary slightly and should be checked prior to installation
SS 5/14

