

TECHNICAL  
SPECIFICATIONS

essential<sup>®</sup>style

essential<sup>®</sup>

 belanger<sup>®</sup>



# TABLE of CONTENTS

GENERAL INFORMATION .....	4
CERTIFICATIONS .....	5
WARRANTY .....	6
TERMS AND CONDITIONS .....	7 to 8
CAPTION .....	9
ESSENTIAL STYLE .....	A-1 to A-31
ESSENTIAL .....	B-1 to B-17
BÉLANGER .....	C-1 to C-29
CARTRIDGES .....	D-1 to D-8
INDEX .....	D-9 to D-12



# GENERAL INFORMATION

Founded in 1966, BÉLANGER UPT is a Canadian leader in the design and manufacturing of faucets and plumbing accessories.

Recognized for its excellent customer service, BÉLANGER UPT's reputation has been built on the quality and durability of its products.

BÉLANGER UPT has some North American and Asian manufacturing plants and sells its products under **Bélangé**<sup>®</sup>, **H2flo**<sup>®</sup>, **Quik**<sup>®</sup>, **Essential**<sup>®</sup>, **Plumb Pak**<sup>®</sup> and **Keeney**<sup>®</sup> brands.



**essential**<sup>®</sup> and **essential**<sup>®</sup>*Style* are brands specifically made for the retail market, offering a combination of quality, style and affordable prices.

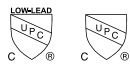
**belanger**<sup>®</sup> is a renowned brand, appreciated by the industry professionals for its utility products featuring conservative lines combining quality, reliability and affordability.





# CERTIFICATIONS

Conceived and designed by engineers and industrial designers, all our products meet the highest requirements and industry standards.



**cUPC**

The cUPC certification, under the IAPMO (International Association of Plumbing and Mechanical Officials) is recognized and used in Canadian and US territories. Certified products meet the ASME A112.18.1-05 / CSA B125.1-05 specifications.



**CSA**

The CSA certification indicates that the product has been tested and meets the certification requirements for electrical, plumbing and/or mechanical products. ASME A112.18.1-05/CSA B125.1-05.



**ADA**

The ADA (Americans with Disabilities Act) prohibits discrimination against people with disabilities and guarantees equal opportunities for individuals with disabilities. When developing our products, we strive to ensure that they meet ADA requirements.



**Water Sense**

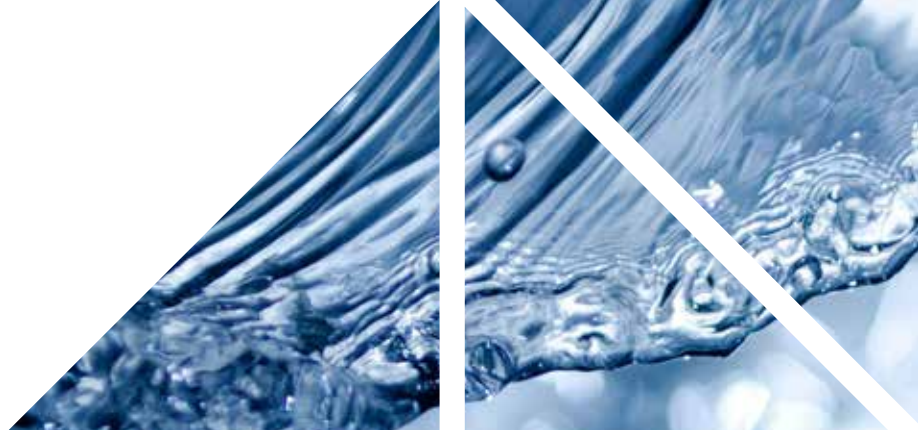
The Water Sense certified products meet EPA standards for water efficiency and performance by abiding to testing protocols and certification specific to each product.



**Ecologia**

Products identified with the **ecologia** logo are designed to optimize water consumption while being effective. Bélanger UPT **ecologia** products are often more environmentally friendly than Water Sense.

# WARRANTY



## Bélanger UPT offers the following warranty to the original owner:

Faucets are covered by a limited lifetime warranty for as long as the original buyer owns their home (the "Warranty Period" for residential use). Bélanger UPT warrants that its faucets will not leak or drip, and that the faucet finish will be free from defects in material and workmanship.

## Bélanger UPT offers the following warranty to industrial, commercial and corporate buyers:

Faucets are warranted to be free from defects in material and workmanship for a period of two (2) years from the original date of purchase (the "Warranty Period" for those who are not the owners).

**Exception:** All electronic components and plumbing accessories (e.g. flexible connectors, Plumb Pak® items, etc.) are guaranteed for one (1) year from the date of purchase against manufacturing defects and / or defective materials only. Bélanger UPT is not responsible for any labour undertaken to replace or repair such items.

## Product Return Policy:

Should a faucet leak, drip or present a material or workmanship defect during the applicable warranty period, with proof of purchase, for as long as the original buyer owns the faucet, Bélanger UPT, at its sole discretion, will repair or replace any defective parts or the faucet FREE OF CHARGE (delivery charges may apply). If the same faucet is not available, Bélanger UPT will replace the defective faucet with a comparable faucet or of equal value.

Bélanger UPT's sole obligation to the buyer for any defective parts or faucet shall be limited to the repair or replacement thereof. Bélanger UPT's overall liability under the warranty shall not exceed the original purchase price of the faucet (except where Bélanger UPT, in its sole discretion, decides to replace the faucet with a faucet of equal value).



## Contact:

Warranty claims may be submitted by contacting Bélanger UPT toll free:

- I. 1-800-361-5960
- II. By email at [clientinfo@belanger-upt.com](mailto:clientinfo@belanger-upt.com)
- III. In writing to Bélanger UPT Customer Service, 6520 Abrams Street, Saint-Laurent, Quebec, H4S 1Y2

The buyer must provide all information relevant to the request, including a complete description of the problem, the product, model, date and location of faucet purchase. To be valid, the claim must be accompanied by the original sales receipt from the original buyer of the faucet.

## What the warranty does not cover:

Damage caused by corrosive water or air, use of other than genuine Bélanger UPT parts with the faucet, installation errors, abuse, misuse or improper maintenance of the faucet (including in particular the use of cleaning products containing abrasives, waxes, alcohol, ammonia, bleach or any other cleaning product containing bleach, acids, solvents or other corrosive chemicals), whether used by the buyer or a third party for the buyer, WILL RENDER THIS WARRANTY NULL AND VOID. BÉLANGER UPT WILL NOT BE RESPONSIBLE FOR LABOUR COSTS AND/OR DAMAGES INCURRED IN THE INSTALLATION, REPAIR OR REPLACEMENT OF THE FAUCET, NOR FOR ANY INDIRECT, INCIDENTAL OR CONSEQUENTIAL DAMAGES, LOSSES, INJURY OR COSTS OF ANY NATURE, INCLUDING, WITHOUT LIMITATION, LOSS OF USE, RELATING TO THIS FAUCET. This warranty is not transferable or assignable to any person.

This warranty excludes all other warranties, including, but not limited to, any mandatory warranty of merchantability or suitability for use (other than as specified in the product description and instruction manual included with this faucet). Recognizing that some provinces or states may not allow limitations on how long an implied warranty lasts or the exclusion or limitation of incidental or consequential damages, the above limitation may not be applicable. Any provision in this warranty which is unenforceable in any province or state shall be considered ineffective to the extent of such unenforceability, without invalidating the remaining provisions or affecting the validity of such provisions in other provinces or states.



# TERMS and CONDITIONS

## Minimum Order Value:

Can \$150 net (freight not included), before taxes, for each purchase order received. All purchase orders must be received in writing.

**Orders for parts have no minimum requirement.**

**Verbal orders will not be accepted.**

## Order Acceptance:

All orders are subject to acceptance by our credit department. All orders will be invoiced at prices prevailing on the date of shipping.

## Cut-Off Time:

Orders received before 11:00 AM will be processed the same day. Orders received after 12:00 PM will be processed the next business day. The fax or email time & date stamp will serve as a confirmation of receipt. The preparation lead time will begin once the order has been entered in our system.

## Shipping Policy:

Unless otherwise specified in a previously established agreement or contract, orders will be shipped within 48 hours after they have been received, providing stock is available. Add-ons will be accepted only if the order has not been shipped or processed.

## Regular Lead Times:

All regular orders (FOR RUSH ORDERS, PLEASE CONTACT CUSTOMER SERVICE)			
Provinces	Order preparation lead time (days)	Regular freight lead time* (days)	Total lead time (days)
QC, ON	2	3	5
NE, NB, IPE	2	5	7
MB	2	7	9
CB, AB, SK	2	8	10
TN, Labrador	2	8	10
Yukon, TNO	2	10	12

\*For remote areas far from major cities: add 1 day

## Pick-up orders:

For orders that are to be picked-up by the client, it must be clearly indicated on the order "PICK-UP". The order will be processed and ready within 48 business hours once it has been entered in the system as indicated in the chart above.

## Rush Delivery:

Any expenses incurred by Bélanger UPT for deliveries requested faster than the regular delivery lead time (as indicated in the chart below), will be charged to the customer. In order to avoid these charges, the preferred method of transport and account number should be indicated on the order.

## Order Cancellation:

For orders which are cancelled after they have been prepared, a fee of 10% of the total value of the order will be charged.

## FOB Policy:

### CANADA:

**Prepaid:** Minimum order value in Can\$ (net, before taxes):

QC: \$450  
ON: \$750 - GTA: \$500  
MB, SK, AB, BC: \$750  
NB, NS, PEI, NL: \$750  
Territories: \$1000

**U.S.A. Prepaid:** Minimum order value of US\$750 (net, before taxes).

This is subject to change without notice.

**Prepaid and Charged:** If order value is less than what is specified above.

## Terms of Payment:

Net 30 days; or unless otherwise specified in a previously established agreement or contract. Administration fee of 2% per month (24% per annum) will be charged on all overdue accounts.

## Claims:

Unless otherwise specified in a previously established agreement or contract, claims relating to damaged, lost goods, and shipping errors must be reported to the Customer Service department within 72 hours after their date of receipt. After this 72 hours period, Bélanger UPT will deem the goods to be the responsibility of the customer.

**Only claims with a value of Can\$50 or greater will be processed.**

## Return Goods Authorization (RGA):

All requests for an RGA must be made in writing (fax or email) to the Customer Service department referencing the original purchase order number on which the goods were purchased. No verbal requests will be accepted. Goods must not be returned without our prior written authorization (RGA form). Credit will only be issued for RGA's which have been approved and processed by the Customer Service department.

**Only RGA requests for a minimum value of Can\$50 or more will be processed.**

# TERMS and CONDITIONS

All goods being returned for reasons of defects or shipping errors will not be charged a fee. However, all returns for restocking will be charged a 25% restocking/handling fee that will be applied against the credit note. Goods must be received by Bélanger UPT in resalable condition, without any marking on the box. The client will be responsible for the transportation fee.

The RGA document must be displayed on the shipping carton or the RGA number must be visible on the outside of smaller packages on all returns. A copy of the RGA form must also accompany all returns inside the carton or smaller packages. An RGA will be valid for a period of 60 days from the date issued.

An RGA is valid for 60 days following the date it was issued. Bélanger UPT reserves the right to refuse any return where the product is not in its original packaging, boxes have been opened, parts are missing, the product has been damaged, modified or discontinued.

## **Pricing:**

---

Prices are subject to change without notice. Applicable sales taxes will be invoiced.

## **Transfer of Ownership:**

---

Products shipped and shown on our invoices remains solely the property of Bélanger UPT until payment by the receiver of these goods to Bélanger UPT is made and processed.

## **Condition of Sale:**

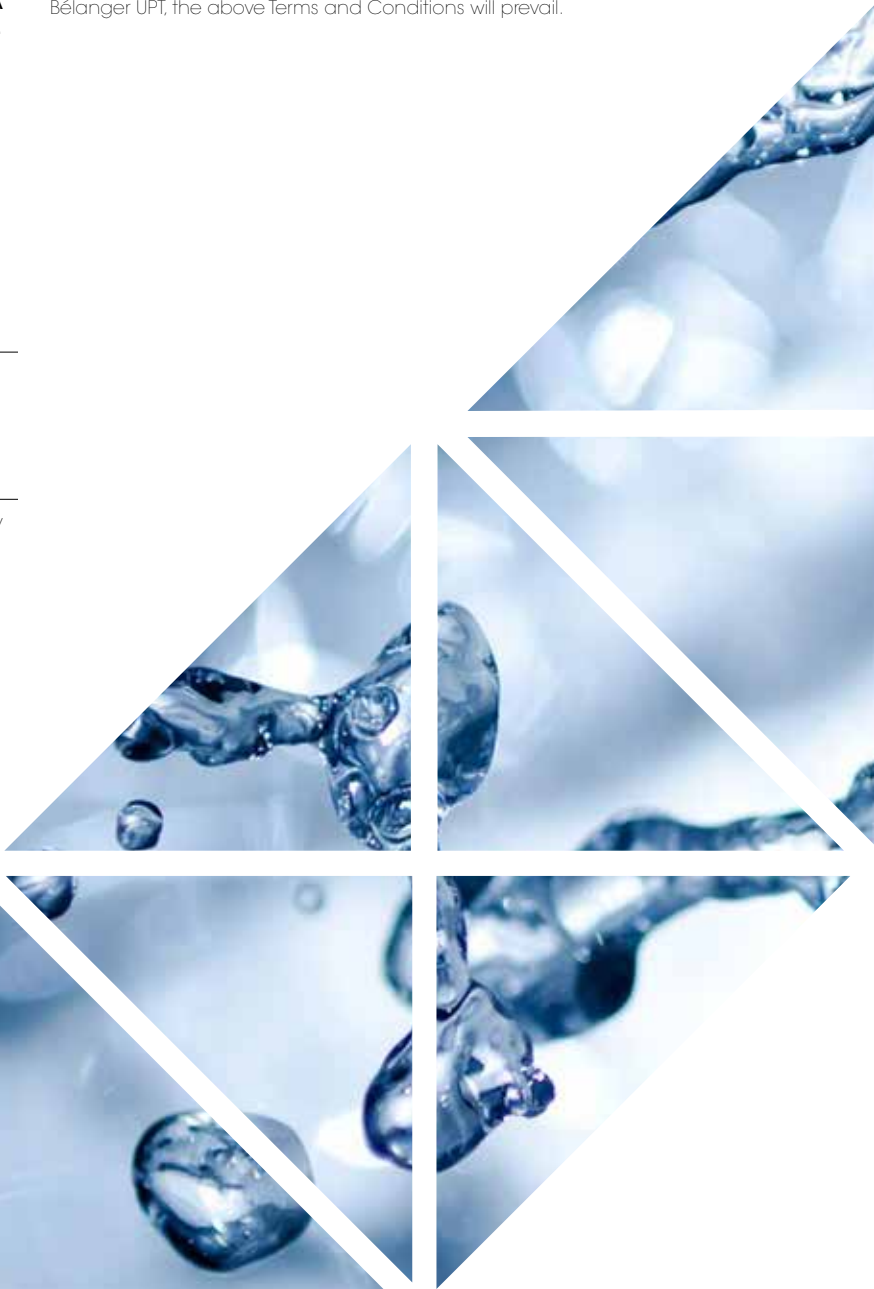
---

Possession of a Bélanger UPT catalogue and price list does not constitute an offer to sell.

## **Additional Note:**

---

Unless otherwise specified in a commercial agreement or contract with Bélanger UPT, the above Terms and Conditions will prevail.



# CAPTION

## PRODUCT PAGE

Title

Product Number

Picture

Certification

Illustrated Features

**LOF78CCP - Pull-Down Kitchen Sink Faucet**

**KITCHEN SINK**

**FEATURES**

- Single or 3-hole installation
- Integrated check valve
- Kliik Connection
- Cover plate for 8" c/c pre-drilled kitchen sink included
- Swivel pull-down spout with pause button, push button diverter and 59" braided nylon flexible hose
- Maximum flow of 8.3 L/min (2.2 gpm) at 60 psi
- Brass body
- Low-lead (less than 0.25%)
- 3/8" (9/16-24 UNEF) connections with flexible stainless steel braided connectors

**CARTRIDGE**

- Ceramic (FC9M6)

**UPC : 064492135053**      **Carton : 6**

Technical Drawing

Category

Features

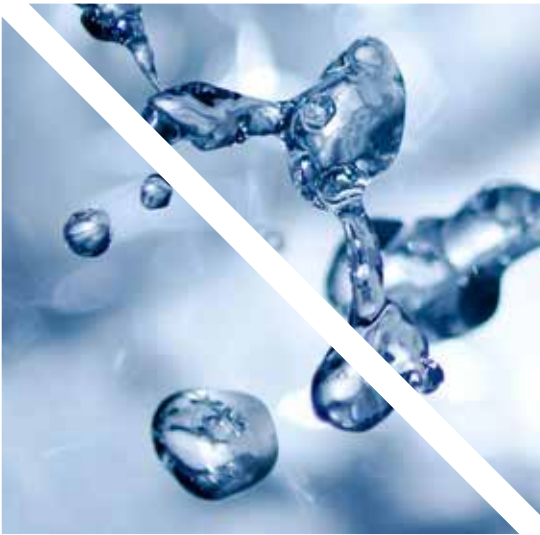
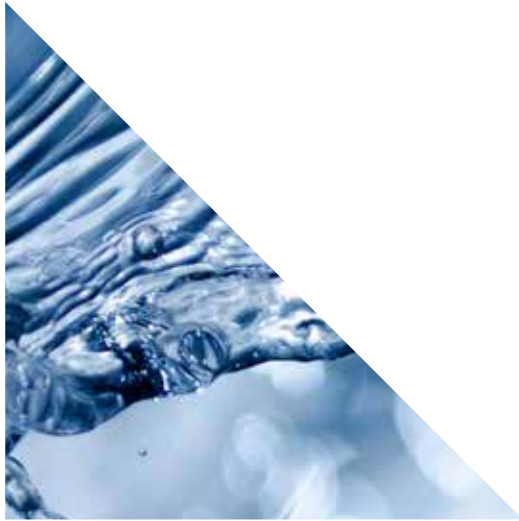
Carton

UPC

## ILLUSTRATED FEATURES

Element flow constituting the product (can be **ecologia**)  
*A product can have several elements with different flows*

Finish type of the product		H. shower: 8.3L/min 2.2 gpm		Drain type included in the product
Plate included in the product		FC9M8		Flex included in the product
Cartridge type and code included in the product				
Flow control		Temperature limiter	2 Jets	Number of jet types in the element constituting the product
"Kliik" connection included		Pressure Balanced	Thermo-static	Temperature limiter
Pressure Balanced valve				Thermostatic valve
Diverter valve and number of ports		Pause Button		Hand shower with integrated pause button





# KITCHEN & BATHROOM

essential<sup>®</sup>Style  
by belanger



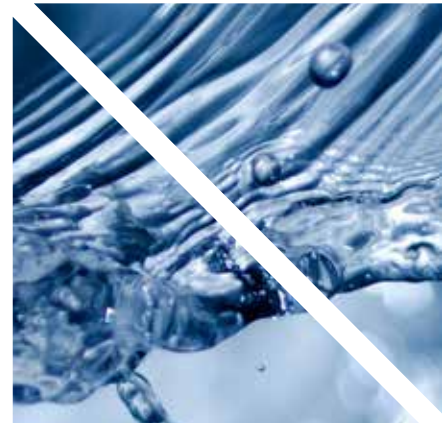


# TABLE OF CONTENTS

*FAUCETS BY COLLECTION*

## KITCHEN

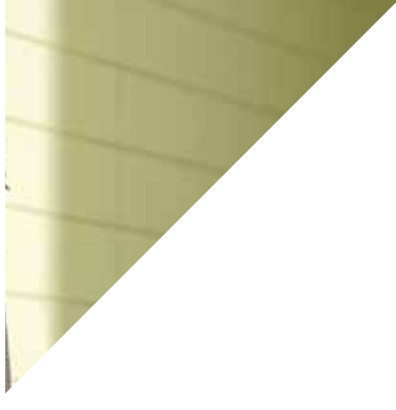
NEXO .....	A-5
PROFESSIO .....	A-5
LOFT .....	A-6
AROMA .....	A-6
METRO .....	A-7
GEMINI .....	A-7
URBANIA.....	A-7 to A-8



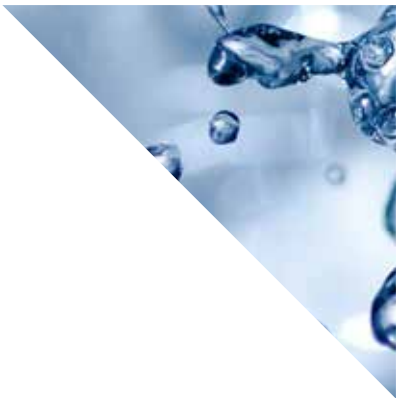
## BATHROOM

QUADRATO .....	A-11 to A-13
DELPHI .....	A-15 to A-17
NEO.....	A-19 to A-23
SALTO .....	A-25 to A-26
SYMPHONY .....	A-27 to A-28
MIRAGIO .....	A-29
PUR .....	A-30
HORIZON .....	A-30
DUO .....	A-30
ALTO .....	A-31
UNIVERSAL .....	A-31





# KITCHEN COLLECTIONS

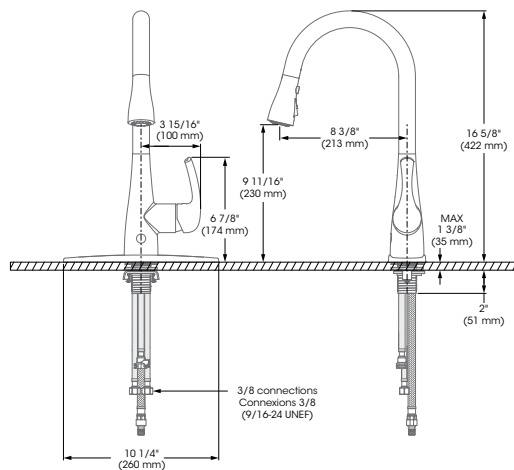


essential<sup>®</sup>Style  
by belanger





**NEX76CCP** - Movement Sensor Kitchen Sink Faucet with Pull-Down Spout



Magik



Pause Button



2 Jets



KLIK Connect



Flex Included



FC9M6



Plate



Spout: 8.3 L/min (2.2 gpm)



Polished Chrome Finish

**FEATURES**

- Single or 3-hole installation
- Integrated check valve
- KLIK Connection
- Neoperl® aerator
- Cover plate for 8" c/c pre-drilled kitchen sink included
- Swivel pull-down spout with "pause" button, push-button diverter and 65" braided nylon flexible hose
- 4 AA batteries up to a 2 year lifespan (not included)
- Infrared sensor (with 2.5" - 6.5 cm range) will activate / deactivate flow with hand movement
- Handspray will automatically be activated when pulled from its housing
- Manual override possible for regular handle use
- A safety timer will automatically close water after 3 minutes of no activity
- Maximum flow of 8.3 L/min (2.2 gpm) at 60 psi
- Brass body
- Low-lead (less than 0.25%)
- 3/8" (9/16-24 UNEF) connections with flexible stainless steel braided connectors

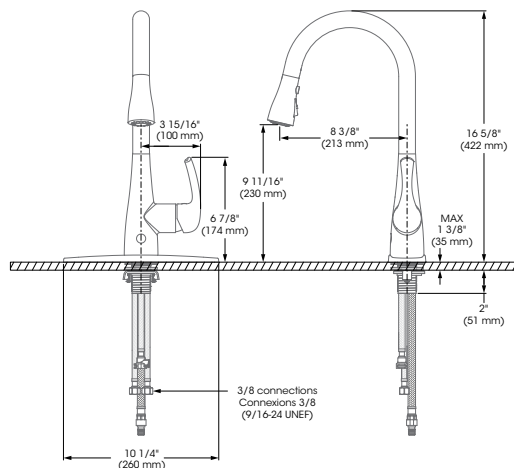
**CARTRIDGE**

- Ceramic (FC9M6)

UPC : 064492140781

Carton : 6

**NEX76CBN** - Movement Sensor Kitchen Sink Faucet with Pull-Down Spout



Magik



Pause Button



2 Jets



KLIK Connect



Flex Included



FC9M6



Plate



Spout: 8.3 L/min (2.2 gpm)



Brushed Nickel Finish

**FEATURES**

- Single or 3-hole installation
- Integrated check valve
- KLIK Connection
- Neoperl® aerator
- Cover plate for 8" c/c pre-drilled kitchen sink included
- Swivel pull-down spout with "pause" button, push-button diverter and 65" braided nylon flexible hose
- 4 AA batteries up to a 2 year lifespan (not included)
- Infrared sensor (with 2.5" - 6.5 cm range) will activate / deactivate flow with hand movement
- Handspray will automatically be activated when pulled from its housing
- Manual override possible for regular handle use
- A safety timer will automatically close water after 3 minutes of no activity
- Maximum flow of 8.3 L/min (2.2 gpm) at 60 psi
- Brass body
- Low-lead (less than 0.25%)
- 3/8" (9/16-24 UNEF) connections with flexible stainless steel braided connectors

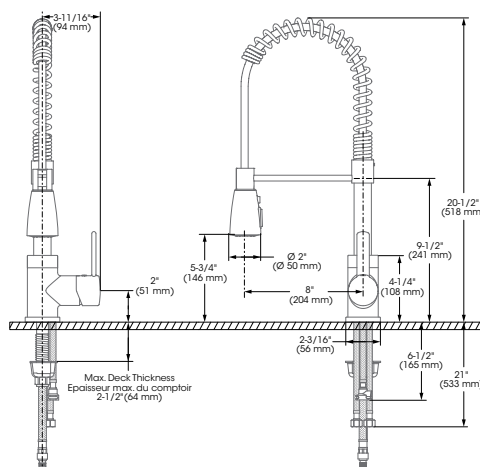
**CARTRIDGE**

- Ceramic (FC9M6)

UPC : 064492140798

Carton : 6

**PRO78CCP** - Pull-Down Kitchen Sink Faucet



Magik



Pause Button



2 Jets



KLIK Connect



Flex Included



FC9M6



Plate



Spout: 8.3 L/min (2.2 gpm)



Polished Chrome Finish

**FEATURES**

- Single or 3-hole installation
- Integrated check valve
- KLIK Connection
- Cover plate for 8" c/c pre-drilled kitchen sink included
- Swivel pull-down spout with pause button, push button diverter and 59" braided nylon flexible hose
- Maximum flow of 8.3 L/min (2.2 gpm) at 60 psi
- Brass body
- Low-lead (less than 0.25%)
- 3/8" (9/16-24 UNEF) connections with flexible stainless steel braided connectors

**CARTRIDGE**

- Ceramic (FC9M6)

UPC : 064492135060

Carton : 6

**LOF78CCP** - Pull-Down Kitchen Sink Faucet

**LOW LEAD** UPC Pause Button **2** Jets KlikK Connect Flex Included FC9M6 Plate Spout: 8.3 L/min 2.2 gpm Polished Chrome Finish

**FEATURES**

- Single or 3-hole installation
- Integrated check valve
- KliK Connection
- Cover plate for 8" c/c pre-drilled kitchen sink included
- Swivel pull-down spout with pause button, push button diverter and 59" braided nylon flexible hose
- Maximum flow of 8.3 L/min (2.2 gpm) at 60 psi
- Brass body
- Low-lead (less than 0.25%)
- 3/8" (9/16-24 UNEF) connections with flexible stainless steel braided connectors

**CARTRIDGE**

- Ceramic (FC9M6)

UPC : 064492135053

Carton : 6

**LOF78CBN** - Pull-Down Kitchen Sink Faucet

**LOW LEAD** UPC Pause Button **2** Jets KlikK Connect Flex Included FC9M6 Plate Spout: 8.3 L/min 2.2 gpm Brushed Nickel Finish

**FEATURES**

- Single or 3-hole installation
- Integrated check valve
- KliK Connection
- Cover plate for 8" c/c pre-drilled kitchen sink included
- Swivel pull-down spout with pause button, push button diverter and 59" braided nylon flexible hose
- Maximum flow of 8.3 L/min (2.2 gpm) at 60 psi
- Brass body
- Low-lead (less than 0.25%)
- 3/8" (9/16-24 UNEF) connections with flexible stainless steel braided connectors

**CARTRIDGE**

- Ceramic (FC9M6)

UPC : 064492135046

Carton : 6

**ARO78CCP** - Pull-Down Kitchen Sink Faucet

**LOW LEAD** UPC Pause Button **2** Jets KlikK Connect Flex Included FC9M6 Plate Spout: 8.3 L/min 2.2 gpm Polished Chrome Finish

**FEATURES**

- Single or 3-hole installation
- Integrated check valve
- KliK Connection
- Cover plate for 8" c/c pre-drilled kitchen sink included
- Swivel pull-down spout with pause button, push button diverter and 59" braided nylon flexible hose
- Maximum flow of 8.3 L/min (2.2 gpm) at 60 psi
- Hybrid waterways
- Low-lead (less than 0.25%)
- 3/8" (9/16-24 UNEF) connections with flexible stainless steel braided connectors

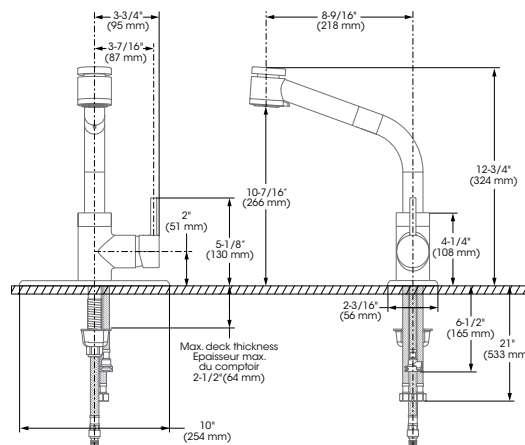
**CARTRIDGE**

- Ceramic (FC9M6)

UPC : 064492134360

Carton : 6

**MTR77CCP** - Pull-Out Kitchen Sink Faucet



**FEATURES**

- Single or 3-hole installation
- Integrated check valve
- Klik Connection
- Cover plate for 8" c/c pre-drilled kitchen sink included
- Swivel pull-out spout with push button diverter and 59" braided nylon flexible hose
- Maximum flow of 8.3 L/min (2.2 gpm) at 60 psi
- Brass body
- Low-lead (less than 0.25%)
- 3/8" (9/16-24 UNEF) connections with flexible stainless steel braided connectors

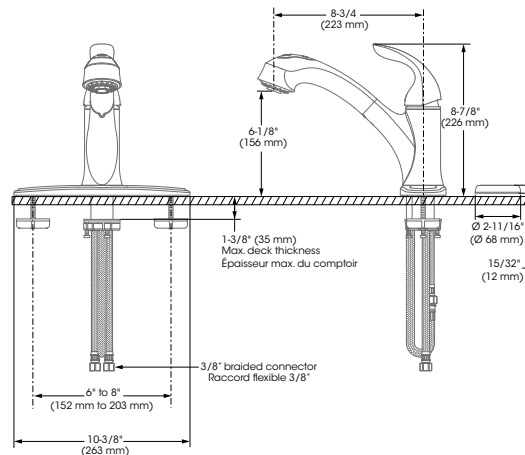
**CARTRIDGE**

- Ceramic (FC9M6)

UPC : 064492134346

Carton : 6

**GEM77CCP** - Pull-Out Kitchen Sink Faucet



**FEATURES**

- Single or 3-hole installation
- Integrated check valve
- Klik Connection
- Cover plate for 8" c/c pre-drilled kitchen sink included
- Swivel pull-out spout with push button diverter and 49" braided nylon flexible hose
- Maximum flow of 8.3 L/min (2.2 gpm) at 60 psi
- Hybrid waterways
- Low-lead (less than 0.25%)
- 3/8" (9/16-24 UNEF) connections with flexible stainless steel braided connectors

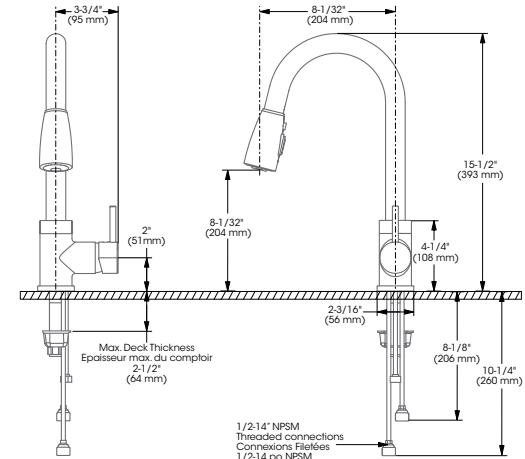
**CARTRIDGE**

- Ceramic (FC9M6)

UPC : 064492134353

Carton : 6

**URB78CCP** - Pull-Down Kitchen Sink Faucet



**FEATURES**

- Single or 3-hole installation
- Integrated check valve
- Cover plate for 8" c/c pre-drilled kitchen sink included
- Swivel pull-down spout with "pause" button, push-button diverter and 59" braided nylon flexible hose
- Maximum flow of 8.3 L/min (2.2 gpm) at 60 psi
- Brass body
- Low-lead (less than 0.25%)
- 1/2" IPS connections

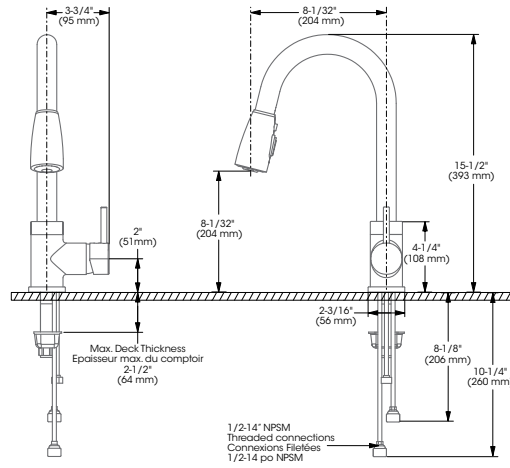
**CARTRIDGE**

- Ceramic (FC9M6)

UPC : 064492141146

Carton : 6

**URB78CBN** - Pull-Down Kitchen Sink Faucet



**FEATURES**

- Single or 3-hole installation
- Integrated check valve
- Cover plate for 8" c/c pre-drilled kitchen sink included
- Swivel pull-down spout with "pause" button, push-button diverter and 59" braided nylon flexible hose
- Maximum flow of 8.3 L/min (2.2 gpm) at 60 psi
- Brass body
- Low-lead (less than 0.25%)
- 1/2" IPS connections

**CARTRIDGE**

- Ceramic (FC9M6)



**UPC : 064492141139**

**Carton : 6**





# BATHROOM COLLECTIONS



essential<sup>®</sup>Style  
by belanger





# QUADRATO

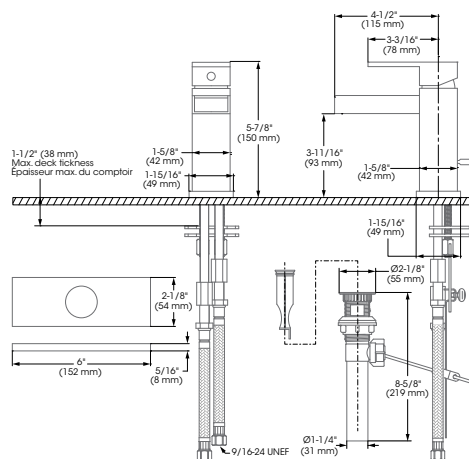


essential<sup>style</sup>

**BATHROOM**

**LAVATORY SINK**

## QUA22CCP - Lavatory Sink Faucet



### FEATURES

- Single or 3-hole installation
- Cover plate for 4" c/c pre-drilled lavatory sink included
- Mechanical pop-up included
- Maximum flow of 5.7 L/min (1.5 gpm) at 60 psi (ecologia)
- Brass body
- Brass waterways
- Low-lead (less than 0.25%)
- 3/8" (9/16-24 UNEF) connections with flexible stainless steel braided connectors

### CARTRIDGE

- Ceramic (FC9M7)



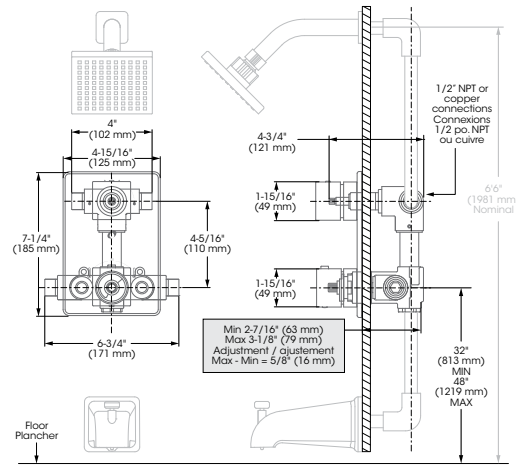
UPC : 064492134476

Carton : 6



**QUA98TSCP** - Thermostatic Diverter Valve

BATHTUB / SHOWER



**FEATURES**

- Maximum flow of 24 L/min (6.4 gpm) at 60 psi
- Adjustable temperature limiting device
- 38°C temperature indicator on trim plate
- Temperature adjustable from 34° to 38°C by handle and from 39° to 43°C by pressing security button
- Automatic flow shut off when cold water supply is interrupted
- Separate flow and temperature controls
- Two-way diverter with OFF position
- Built-in check valves
- Solid brass body
- 1/2" NPT / copper connections

**DIVERTER**

- Ceramic (FCCARD002)

**CARTRIDGE**

- Thermostatic (FCCART002)



2-way Diverter  
 Thermostatic  
 Temperature Limiter  
 FCCARD 002  
 FCCART 002  
 Valve: 24 L/min / 6.4 gpm  
 Polished Chrome Finish

UPC : 064492142464

Carton : 4



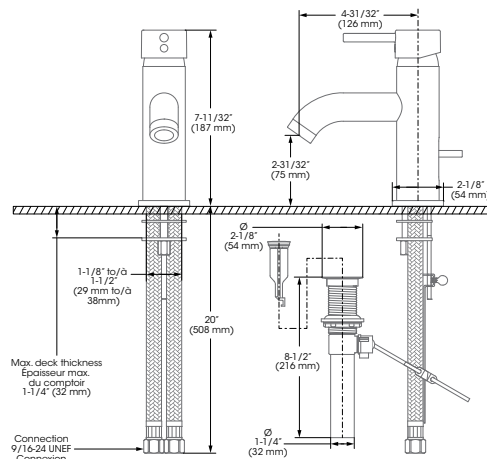


essential<sup>style</sup>

**BATHROOM**

**DEL22CCP** - Lavatory Sink Faucet

**LAVATORY SINK**



**FEATURES**

- Single or 3-hole installation
- Cover plate for 4" c/c pre-drilled lavatory sink included
- Mechanical pop-up included
- Maximum flow of 5.7 L/min (1.5 gpm) at 60 psi (ecologie)
- Brass body
- Brass waterways
- Low-lead (less than 0.25%)
- 3/8" (9/16-24 UNEF) connections with flexible stainless steel braided connectors

**CARTRIDGE**

- Ceramic (FC9M6)



UPC : 064492135206

Carton : 6



**DEL74CCP** - Lavatory Sink Faucet

**FEATURES**

- 4" c/c installation
- Mechanical pop-up included
- Maximum flow of 5.7 L/min (1.5 gpm) at 60 psi (ecologia)
- Metal exterior shell
- Brass waterways
- Low-lead (less than 0.25%)
- 1/2" IPS connections

**CARTRIDGES**

- Ceramic 1/4 turn (FC9K2LH - FC9K2RH)

**UPC : 064492134995**      **Carton : 6**

**DEL43CCP** - Roman Bathtub Faucet

**FEATURES**

- 8" to 14" c/c widespread installation
- Temperature limiting device
- Bathtub spout:
  - Slip-on with built-in diverter
  - Maximum flow of 22.5 L/min (6 gpm) at 60 psi
- Hand shower:
  - Easy-to-clean soft nozzles
  - Maximum flow of 9.5 L/min (2.5 gpm) at 80 psi
- Solid brass body
- 1/2" IPS connections with flexible stainless steel braided connectors

**CARTRIDGE**

- Ceramic (FC9AC007)

**UPC : 064492134391**      **Carton : 4**

**DEL45CCP** - Floor Mount Bathtub Filler

**FEATURES**

- Temperature limiting device
- Bathtub spout:
  - Maximum flow of 20.6 L/min (5.5 gpm) at 60 psi
- Hand shower:
  - Easy-to-clean soft nozzles
  - 59" chromed metal flexible hose
  - Maximum flow of 9.5 L/min (2.5 gpm) at 80 psi
- Solid brass body
- 1/2" NPT connections with flexible stainless steel braided connectors

**DIVERTER**

- Ceramic (FCCARD003)

**CARTRIDGE**

- Ceramic (FC9M6 + Temperature limiting device FCCARL9M6)

**UPC : 064492140972**      **Carton : 3**

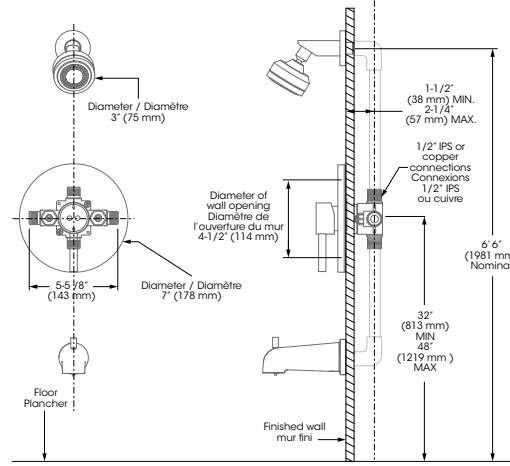
**LAVATORY SINK**

**BATHTUB**

**BATHTUB**

**DEL90CCP** - Bathtub / Shower Faucet with Pressure Balanced Valve

**BATHTUB / SHOWER**



**FEATURES**

- Pressure balance built into the cartridge
- Adjustable temperature limiting device
- Built-in check-stop valves
- Slip-on bathtub spout with built-in diverter
- Shower head:
  - Swivel
  - 2 types of jets
  - Easy-to-clean soft nozzles
  - Maximum flow of 5.7 L/min (1.5 gpm) at 80 psi (ecoLogic)
- Solid brass body
- 1/2" NPT / copper connections

**CARTRIDGE**

- Ceramic (FC9AC008C)



Pressure  
Balanced



2  
Jets



Temperature  
Limiter



FC9AC008C



S. Head  
5.7 L/min  
1.5 gpm



Polished  
Chrome  
Finish

**UPC : 064492135008**

**Carton : 6**



# NEO

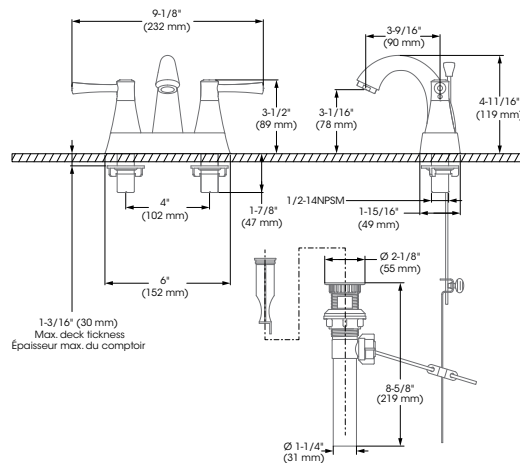


essentials<sup>style</sup>

**BATHROOM**

**LAVATORY SINK**

**NEO74CCP** - Lavatory Sink Faucet



**FEATURES**

- 4" c/c installation
- Mechanical pop-up included
- Maximum flow of 5.7 L/min (1.5 gpm) at 60 psi (ecologia)
- Zinc cover plate
- Hybrid waterways
- Low-lead (less than 0.25%)
- 1/2" IPS connections

**CARTRIDGES**

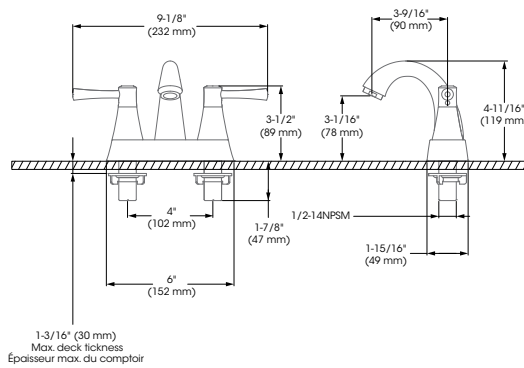
- Ceramic 1/4 turn (FC9K3LH / FC9K3RH)



**UPC : 064492134445**

**Carton : 6**

**NEO73CCP** - Lavatory Sink Faucet



**FEATURES**

- 4" c/c installation
- Can accommodate a mechanical pop-up lift rod
- Maximum flow of 5.7 L/min (1.5 gpm) at 60 psi (ecologia)
- Zinc cover plate
- Hybrid waterways
- Low-lead (less than 0.25%)
- 1/2" IPS connections

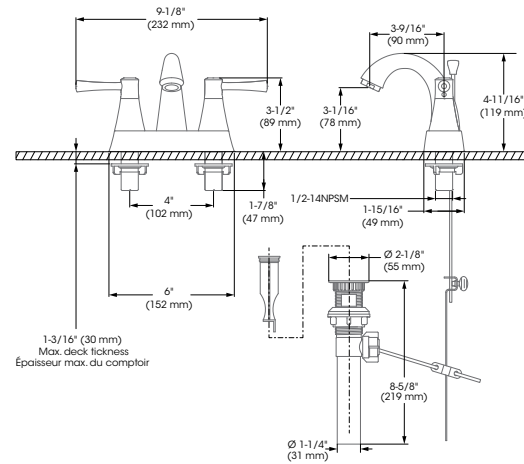
**CARTRIDGES**

- Ceramic 1/4 turn (FC9K3LH / FC9K3RH)

UPC : 064492134865

Carton : 6

**NEO74CBN** - Lavatory Sink Faucet



**FEATURES**

- 4" c/c installation
- Mechanical pop-up included
- Maximum flow of 5.7 L/min (1.5 gpm) at 60 psi (ecologia)
- Zinc cover plate
- Hybrid waterways
- Low-lead (less than 0.25%)
- 1/2" IPS connections

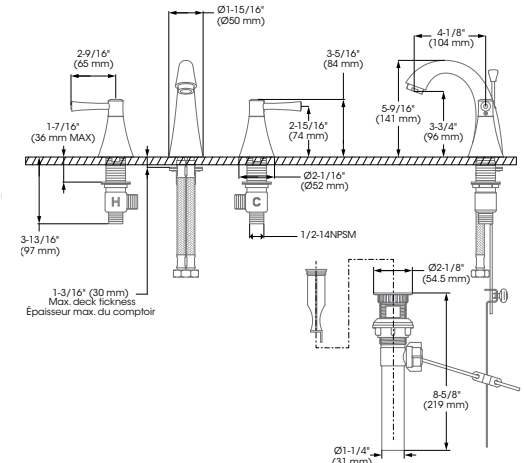
**CARTRIDGES**

- Ceramic 1/4 turn (FC9K3LH / FC9K3RH)

UPC : 064492134964

Carton : 6

**NEO79CCP** - Lavatory Sink Faucet



**FEATURES**

- 6" to 10" c/c widespread installation
- Mechanical pop-up included
- Maximum flow of 5.7 L/min (1.5 gpm) at 60 psi (ecologia)
- Brass body
- Low-lead (less than 0.25%)
- 1/2" IPS connections with flexible stainless steel braided connectors

**CARTRIDGES**

- Ceramic 1/4 turn (FC9K3LH / FC9K3RH)

UPC : 064492134452

Carton : 6

**NEO79CBN** - Lavatory Sink Faucet

**LAVATORY SINK**

**FEATURES**

- 6" to 10" c/c widespread installation
- Mechanical pop-up included
- Maximum flow of 5.7 L/min (1.5 gpm) at 60 psi (ecologia)
- Brass body
- Low-lead (less than 0.25%)
- 1/2" IPS connections with flexible stainless steel braided connectors

**CARTRIDGES**

- Ceramic 1/4 turn (FC9K3LH / FC9K3RH)

UPC: 064492134971      Carton : 6

**NEO44CCP** - Roman Bathtub Faucet

**BATHTUB**

**FEATURES**

- 8" to 14" c/c widespread installation
- Bathtub spout:
  - Slip-on with built-in diverter
  - Maximum flow of 28.7 L/min (7.6 gpm) at 60 psi
- Hand shower:
  - Easy-to-clean soft nozzles
  - 59" chromed metal flexible hose
  - Maximum flow of 9.5 L/min (2.5 gpm) at 80 psi
- Brass body
- 1/2" IPS connections with flexible stainless steel braided connectors

**CARTRIDGES**

- Ceramic 1/4 turn (FC9K3LH / FC9K3RH)

UPC: 064492134438      Carton : 4

**NEO44CBNWB** - Roman Bathtub Faucet

**BATHTUB**

**FEATURES**

- 8" to 14" c/c widespread installation
- Bathtub spout:
  - Slip-on with built-in diverter
  - Maximum flow of 28.7 L/min (7.6 gpm) at 60 psi
- Hand shower:
  - Easy-to-clean soft nozzles
  - 59" chromed metal flexible hose
  - Maximum flow of 9.5 L/min (2.5 gpm) at 80 psi
- Brass body
- 1/2" IPS connections with flexible stainless steel braided connectors

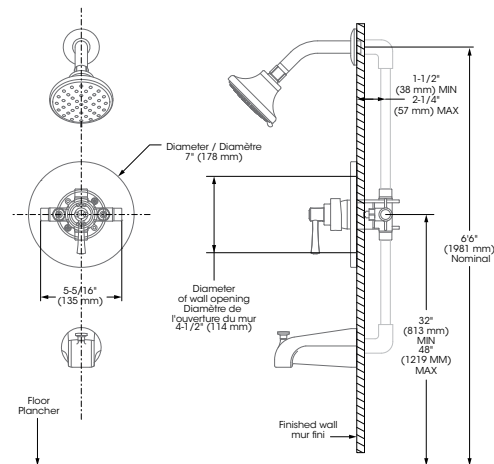
**CARTRIDGES**

- Ceramic 1/4 turn (FC9K3LH / FC9K3RH)

UPC: 064492137002      Carton : 4

BATHROOM - NEO  
essentials<sup>style</sup>

**NEO90CCP** - Bathtub / Shower Faucet with Pressure Balanced Valve



**FEATURES**

- Pressure balance built into the cartridge
- Maximum flow of 22.5 L/min (6 gpm) at 45 psi
- Adjustable temperature limiting device
- Built-in check-stop valves
- Slip-on bathtub spout with built-in diverter
- Shower head:
  - Swivel
  - 3 types of jets with 5 positions
  - Easy-to-clean soft nozzles
  - Maximum flow of 9.5 L/min (2.5 gpm) at 80 psi
- Solid brass body
- 1/2" NPT / copper connections

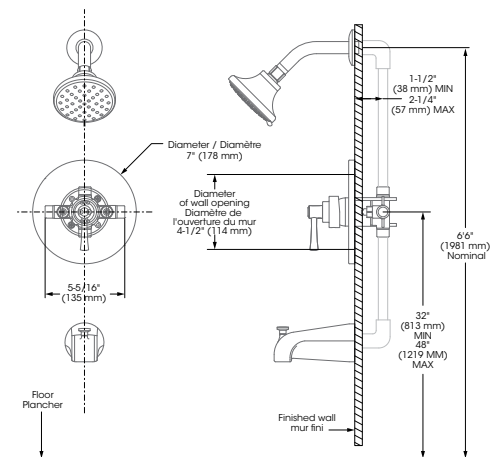
**CARTRIDGE**

- Ceramic (FC9AC008C)

**UPC : 064492134469**

**Carton : 6**

**NEO90CBN** - Bathtub / Shower Faucet with Pressure Balanced Valve



**FEATURES**

- Pressure balance built into the cartridge
- Maximum flow of 22.5 L/min (6 gpm) at 45 psi
- Adjustable temperature limiting device
- Built-in check-stop valves
- Slip-on bathtub spout with built-in diverter
- Shower head:
  - Swivel
  - 3 types of jets with 5 positions
  - Easy-to-clean soft nozzles
  - Maximum flow of 9.5 L/min (2.5 gpm) at 80 psi
- Solid brass body
- 1/2" NPT / copper connections

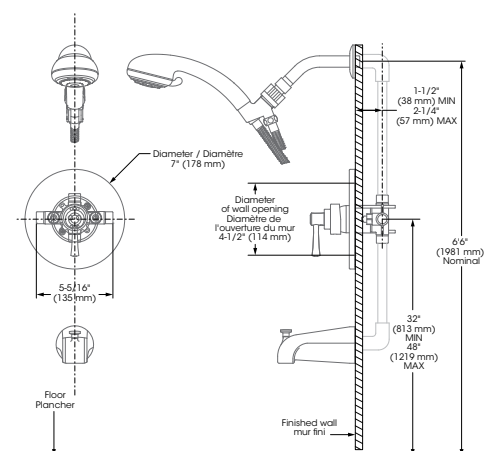
**CARTRIDGE**

- Ceramic (FC9AC008C)

**UPC : 064492134872**

**Carton : 6**

**NEO90HSCCP** - Bathtub / Shower Faucet with Pressure Balanced Valve



**FEATURES**

- Pressure balance built into the cartridge
- Maximum flow of 22.5 L/min (6 gpm) at 45 psi
- Adjustable temperature limiting device
- Built-in check-stop valves
- Slip-on bathtub spout with built-in diverter
- Shower head:
  - Hand shower
  - 3 types of jets
  - Easy-to-clean soft nozzles
  - 60" chromed metal flexible hose
  - Maximum flow of 9.5 L/min (2.5 gpm) at 80 psi
- Adjustable angle hand shower holder
- Solid brass body
- 1/2" NPT / copper connections

**CARTRIDGE**

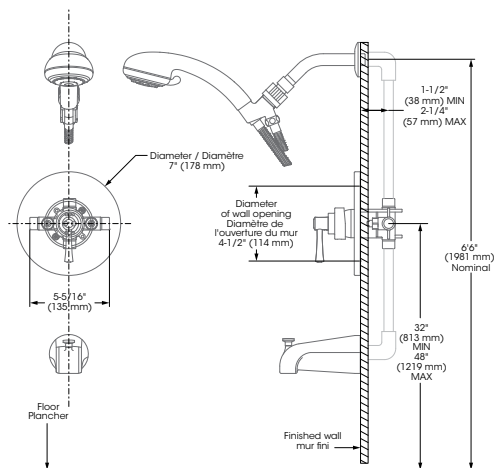
- Ceramic (FC9AC008C)

**UPC : 064492134988**

**Carton : 6**



**NEO90HSCBN** - Bathtub / Shower Faucet with Pressure Balanced Valve



**FEATURES**

- Pressure balance built into the cartridge
- Maximum flow of 22.5 L/min (6 gpm) at 45 psi
- Adjustable temperature limiting device
- Built-in check-stop valves
- Slip-on bathtub spout with built-in diverter
- Shower head:
  - Hand shower
  - 3 types of jets
  - Easy-to-clean soft nozzles
  - 60° flexible hose brushed nickel finish
  - Maximum flow of 9.5 L/min (2.5 gpm) at 80 psi
- Adjustable angle hand shower holder
- Solid brass body
- 1/2" NPT / copper connections

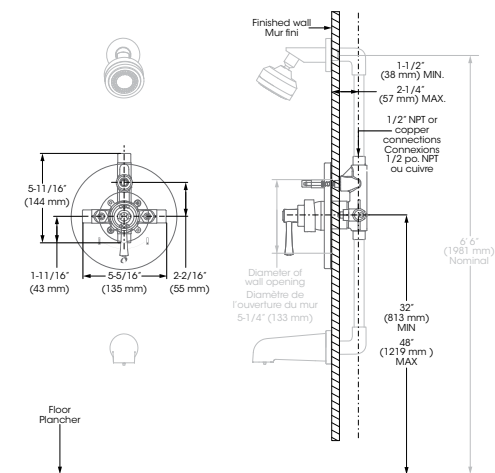
**CARTRIDGE**

- Ceramic (FC9AC008C)

UPC : 064492135640

Carton : 6

**NEO98CCP** - Pressure Balanced Diverter Valve



**FEATURES**

- Flow control
- Pressure balance built into the cartridge
- Maximum flow of 22.5 L/min (6 gpm) at 60 psi
- Adjustable temperature limiting device
- Face plate with diverter button
- Built-in check-stop valves
- Installation template for cutting wall included with the valve
- Solid brass body
- 1/2" NPT / copper connections

**DIVERTER**

- Compression (FCDIVA008)

**CARTRIDGE**

- Ceramic (FC9AC010)

UPC : 064492142433

Carton : 6



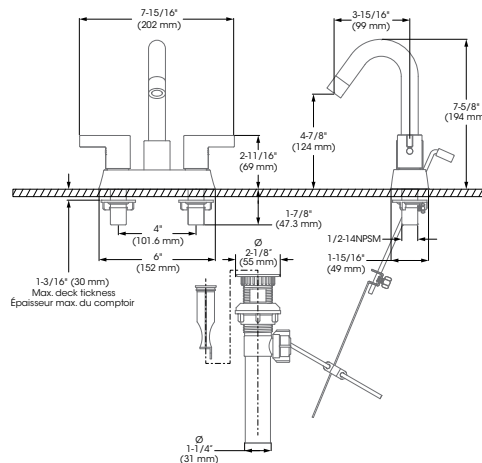


essential<sup>style</sup>

**BATHROOM**

**SAL74CCP** - Lavatory Sink Faucet

**LAVATORY SINK**



**FEATURES**

- 4" c/c installation
- Mechanical pop-up included
- Maximum flow of 5.7 L/min (1.5 gpm) at 60 psi (ecologia)
- Metal exterior shell
- Hybrid waterways
- Low-lead (less than 0.25%)
- 1/2" IPS connections

**CARTRIDGES**

- Ceramic (FC9K3LH - FC9K3RH)

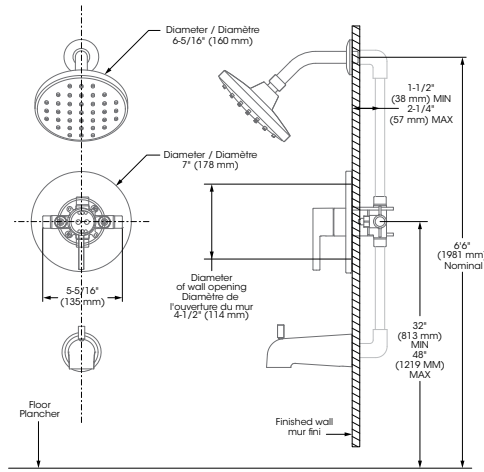


**UPC : 064492135176**

**Carton : 6**

**SAL90CCP** - Bathtub / Shower Faucet with Pressure Balanced Valve

**BATHTUB / SHOWER**



**FEATURES**

- Pressure balance built into the cartridge
- Maximum flow of 22.5 L/min (6 gpm) at 45 psi
- Adjustable temperature limiting device
- Built-in check-stop valves
- Slip-on bathtub spout with built-in diverter
- Shower head:
  - Swivel
  - Easy-to-clean soft nozzles
  - Maximum flow of 9.5 L/min (2.5 gpm) at 80 psi
- Solid brass body
- 1/2" NPT / copper connections

**CARTRIDGE**

- Ceramic (FC9AC008C)

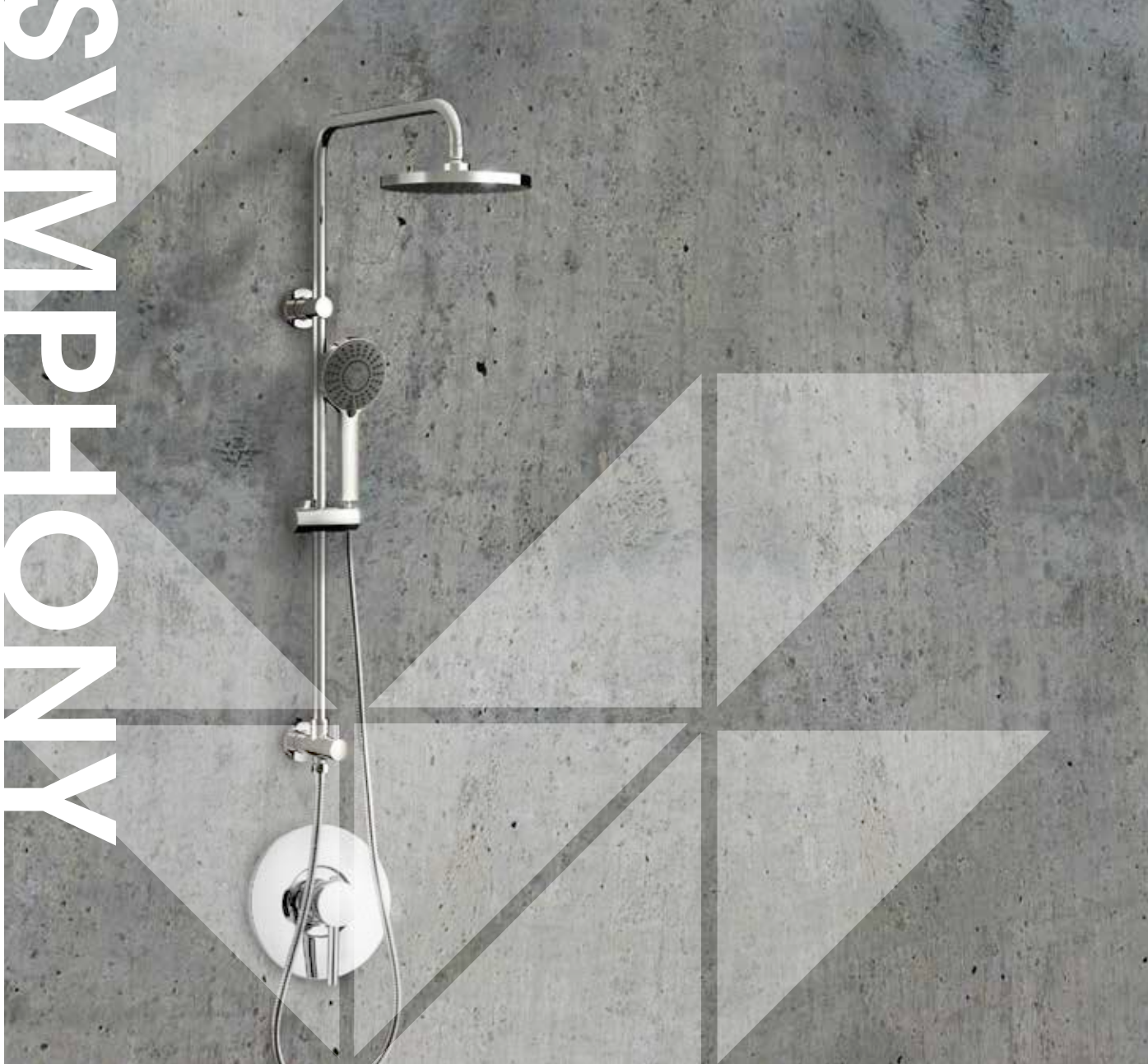
UPC : 064492135183

Carton : 6



Pressure Balanced  
 Temperature Limiter  
 FC9AC008C  
 S Head: 9.5L/min / 2.5 gpm  
 Valve: 22.5L/min / 6 gpm  
 Polished Chrome Finish

# SYMPHONY

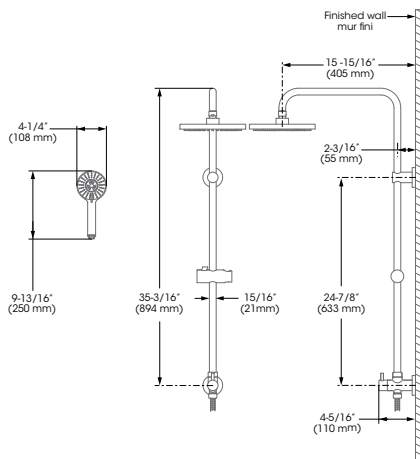


essential<sup>style</sup>

**BATHROOM**

## SYM011CP - Slide Bar Mounted Hand and Fixed Shower Head Kit

**SHOWER**



**3** Jets

FCCARD004

H<sub>2</sub>O Shower:  
 9.5 L/min  
 2.5 gpm

Polished  
 Chrome  
 Finish

### FEATURES

- Drilling required installation
- 3-function diverter for single or dual use of the shower heads
- Built-in check valves
- Hand Shower:
  - 3 types of jets with 5 positions
  - Easy-to-clean soft nozzles
  - 59" chromed metal flexible hose
  - Maximum flow of 9.5 L/min (2.5 gpm) at 80 psi
- Shower Head:
  - Swivel
  - Oversized

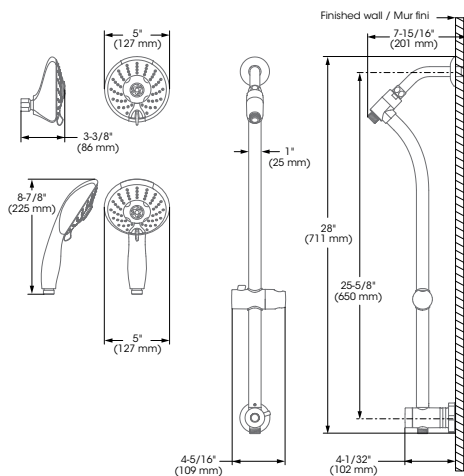
### DIVERTER

- Ceramic (FCCARD004)

UPC : 064492143621

Carton : 5

**SYM001CP** - Slide Bar Mounted Hand and Fixed Shower Head Kit



2 Jets  
 S. Head: 9.5 L/min 2.5 gpm  
 H. Shower: 9.5 L/min 2.5 gpm  
 Polished Chrome Finish

**SHOWER**

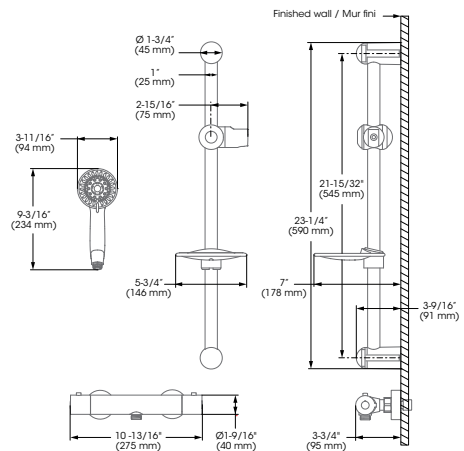
**FEATURES**

- No drilling installation; fixed with a suction cup or adhesive
- 28" overall assembled sliding bar kit
- Built-in check valves
- Hand shower:
  - 2 types of jets with 3 positions
  - 69" chromed metal flexible hose
- Shower head:
  - Swivel
  - 2 types of jets with 3 positions
- Adjustable angle hand shower holder
- Maximum flow of 9.5 L/min (2.5 gpm) at 80 psi
- 1/2" IPS connections

**UPC : 064492139235**

**Carton : 6**

**SYM003TSCCP** - Thermostatic Valve with Hand Shower Sliding Bar Kit



Thermo-stable  
 3 Jets  
 Flow Control  
 FCCART006  
 FC9K6LH  
 H. Shower: 9.5 L/min 2.5 gpm  
 Polished Chrome Finish

**SHOWER**

**SLIDING BAR**

**FEATURES**

- Drilling required installation
- 23-1/4" overall assembled sliding bar kit
- Built-in check valves
- Soap holder included
- Shower head:
  - Hand shower
  - 3 types of jets with 5 positions
  - Easy-to-clean soft nozzles
  - 69" chromed metal flexible hose
  - Maximum flow of 9.5 L/min (2.5 gpm) at 80 psi
- Adjustable angle hand shower holder
- 1/2" IPS connections

**FEATURES**

**VALVE**

- 5-5/16 to 6-1/2" c/c exposed installation
- Temperature adjustable from 34° to 38°C by handle and adjustable from 39° to 49°C by pressing security button on ring
- Automatic flow shut off when cold water supply is interrupted
- Separate flow and temperature control handles
- Built-in check valves
- Solid brass body
- Off-centered 1/2" NPT connections

**CARTRIDGES**

- Ceramic 1/4 turn (FC9K6LH)
- Thermostatic (FCCART006)

**UPC : 064492143676**

**Carton : 4**



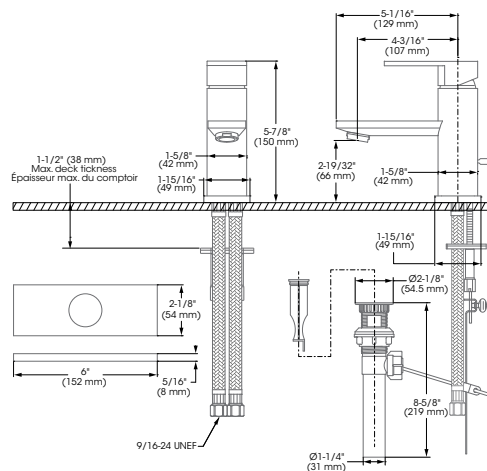


essential<sup>style</sup>

**BATHROOM**

**MIR22CCP** - Lavatory Sink Faucet

**LAVATORY SINK**



**FEATURES**

- Single or 3-hole installation
- Cover plate for 4" c/c pre-drilled lavatory sink included
- Mechanical pop-up included
- Maximum flow of 5.7 L/min (1.5 gpm) at 60 psi (ecologia)
- Brass body
- Brass waterways
- Low-lead (less than 0.25%)
- 3/8" (9/16-24 UNEF) connections with flexible stainless steel braided connectors

**CARTRIDGE**

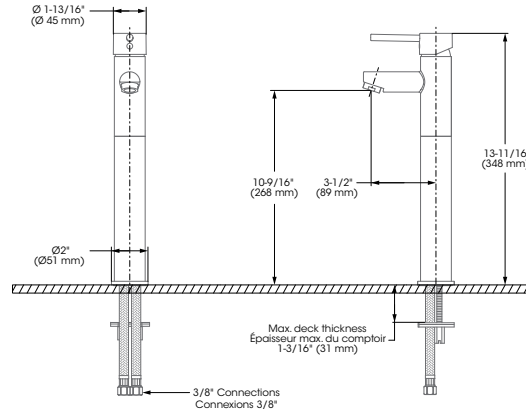
- Ceramic (FC9M6)



**UPC : 064492134421**

**Carton : 6**

**PUR26CCP - Vessel Sink Faucet**



**FEATURES**

- Single-hole installation
- Maximum flow of 5.7 L/min (1.5 gpm) at 60 psi (ecoloeia)
- Solid brass body
- Brass waterways
- Low-lead (less than 0.25%)
- 3/8" (9/16-24 UNEF) connections with flexible stainless steel braided connectors

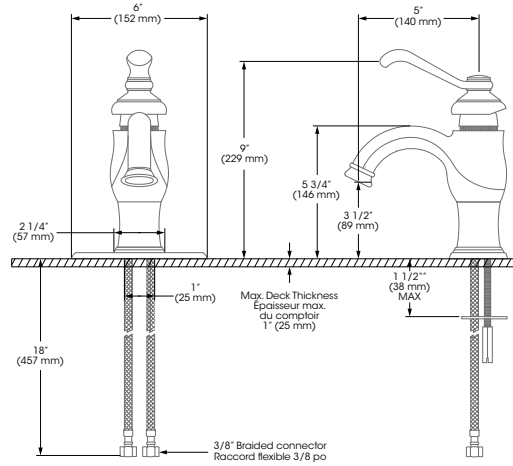
**CARTRIDGE**

- Ceramic (FC9M5)

UPC : 064492135633

Carton : 6

**HOR25CCP - Lavatory Sink Faucet**



**FEATURES**

- Single or 3-hole installation
- Cover plate for 4" c/c pre-drilled lavatory sink included
- Maximum flow of 5.7 L/min (1.5 gpm) at 60 psi (ecoloeia)
- Brass cover plate
- Low-lead (less than 0.25%)
- 3/8" (9/16-24 UNEF) connections with flexible stainless steel braided connectors

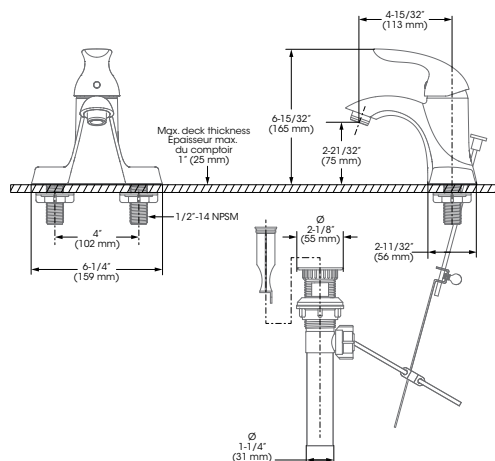
**CARTRIDGE**

- Ceramic (FC9M6)

UPC : 064492135015

Carton : 6

**DUO24CCP - Lavatory Sink Faucet**



**FEATURES**

- 4" c/c installation
- Optional temperature limiting device (FCCARL002 sold separately)
- Mechanical pop-up included
- Maximum flow of 5.7 L/min (1.5 gpm) at 60 psi (ecoloeia)
- Metal and polymer alloy exterior shell
- Hybrid waterways
- Low-lead (less than 0.25%)
- 1/2" IPS connections

**CARTRIDGE**

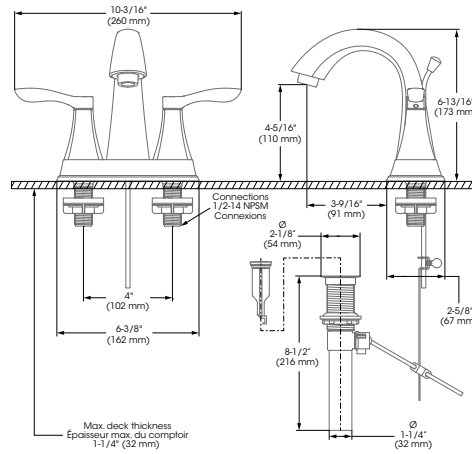
- Ceramic (FC9M5)

UPC : 064492135480

Carton : 8

**ALT74CCP** - Lavatory Sink Faucet

**LAVATORY SINK**



**FEATURES**

- 4" c/c installation
- Mechanical pop-up included
- Maximum flow of 5.7 L/min (1.5 gpm) at 60 psi (ecologia)
- Metal and polymer alloy exterior shell
- Hybrid waterways
- Low-lead (less than 0.25%)
- 1/2" IPS connections

**CARTRIDGES**

- Ceramic 1/4 turn (FC9K4LH - FC9K4RH)

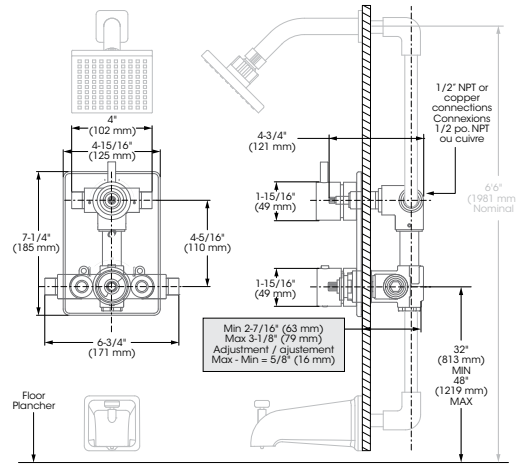


UPC : 064492135657

Carton : 6

**UNI98TSCP** - Thermostatic Diverter Valve

**BATHTUB / SHOWER**



**FEATURES**

- Maximum flow of 24 L/min (6.4 gpm) at 60 psi
- Adjustable temperature limiting device
- 38°C temperature indicator on trim plate
- Temperature adjustable from 34° to 38°C by handle and from 39° to 43°C by pressing security button
- Automatic flow shut off when cold water supply is interrupted
- Separate flow and temperature controls
- Two-way diverter with OFF position
- Built-in check valves
- Solid brass body
- 1/2" NPT/copper connections

**DIVERTER**

- Ceramic (FCCARD002)

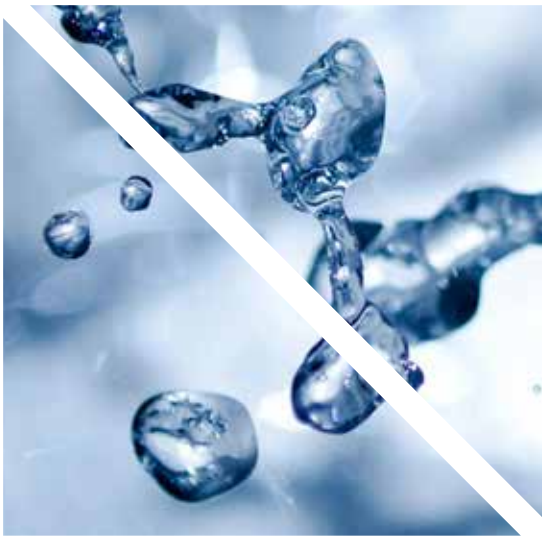
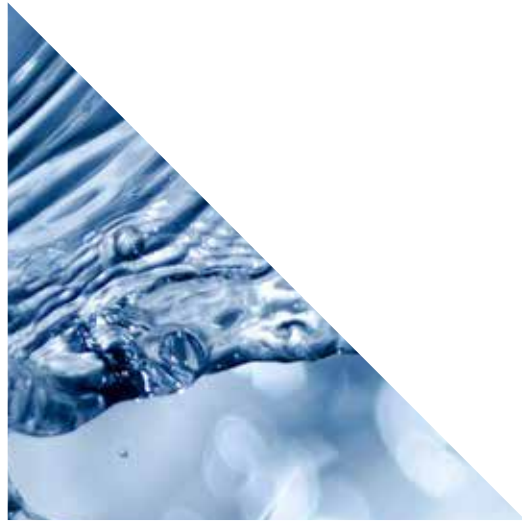
**CARTRIDGE**

- Thermostatic (FCCART002)



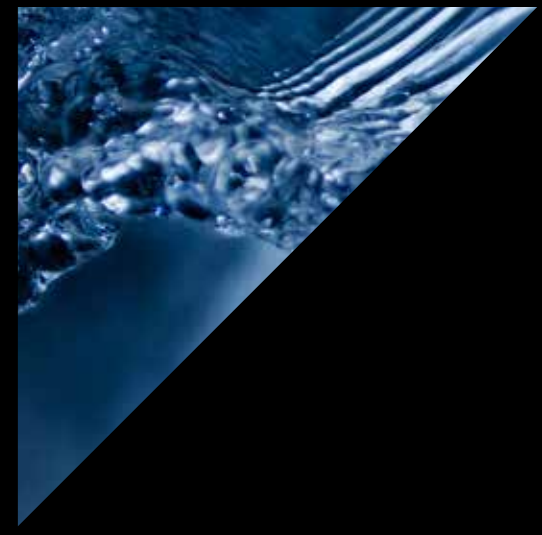
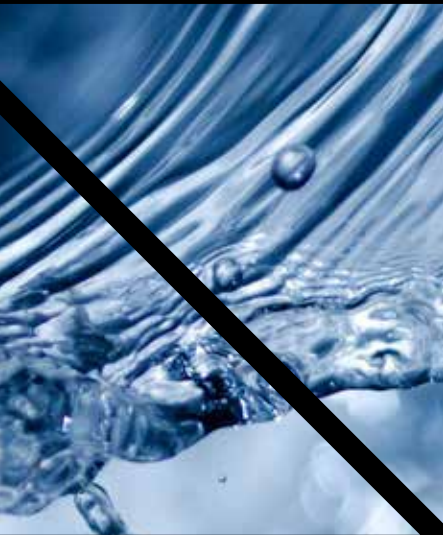
UPC : 064492142440

Carton : 4





# KITCHEN & BATHROOM



essential<sup>®</sup>  
by par belanger





# TABLE OF CONTENTS

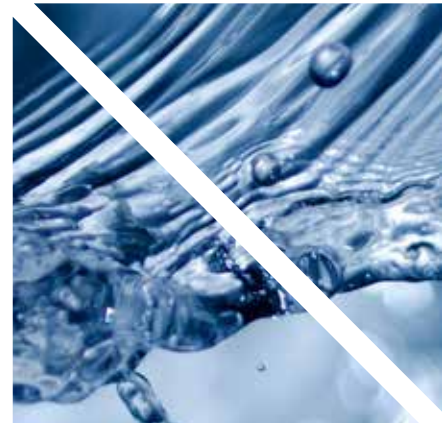
*FAUCETS BY COLLECTION*

## KITCHEN

EBI SERIES .....	B-5
EBY SERIES .....	B-5 to B-6
EBO SERIES .....	B-6 to B-7
EBU SERIES .....	B-7
EBA SERIES .....	B-7

## BATHROOM

EBY SERIES .....	B-11 to B-12
EBA SERIES .....	B-13 to B-15
EBU SERIES .....	B-17







**KITCHEN**  
COLLECTIONS

essential<sup>®</sup>  
by  belanger



**EBI78CCP - Pull-Down Kitchen Sink Faucet**

**FEATURES**

- Single or 3-hole installation
- Integrated check valve
- KliK Connection
- Cover plate for 8" c/c pre-drilled kitchen sink included
- Swivel pull-out spout with push-button diverter (stream and spray jets) and 59" braided nylon flexible hose
- Maximum flow of 8.3 L/min (2.2 gpm) at 60 psi
- Metal exterior shell
- Hybrid waterways
- Low-lead (less than 0.25%)
- 3/8" (9/16-24 UNEF) connections with flexible stainless steel braided connectors

**CARTRIDGE**

- Ceramic (FC9M6)

LOW LEAD UPC C® 2 Jets KliK Connect Flex Included FC9M6 Plate Spout: 8.3 L/min 2.2 gpm Polished Chrome Finish

**KITCHEN SINK**

UPC : 064492141351 Carton : 6

**EBY77CCP - Pull-Out Kitchen Sink Faucet**

**FEATURES**

- Single or 3-hole installation
- Integrated check valve
- Cover plate for 8" c/c pre-drilled kitchen sink included
- Swivel pull-out spout with push button diverter and 59" braided nylon flexible hose
- Maximum flow of 8.3 L/min (2.2 gpm) at 60 psi
- Brass body
- Low-lead (less than 0.25%)
- 3/8" (9/16-24 UNEF) connections with flexible stainless steel braided connectors

**CARTRIDGE**

- Ceramic (FC9AC006)

LOW LEAD UPC C® 2 Jets Flex Included FC9AC006 Plate Spout: 8.3 L/min 2.2 gpm Polished Chrome Finish

**KITCHEN SINK**

UPC : 064492134803 Carton : 6

**EBY77CBN - Pull-Out Kitchen Sink Faucet**

**FEATURES**

- Single or 3-hole installation
- Integrated check valve
- Cover plate for 8" c/c pre-drilled kitchen sink included
- Swivel pull-out spout with push button diverter and 59" braided nylon flexible hose
- Maximum flow of 8.3 L/min (2.2 gpm) at 60 psi
- Brass body
- Low-lead (less than 0.25%)
- 3/8" (9/16-24 UNEF) connections with flexible stainless steel braided connectors

**CARTRIDGE**

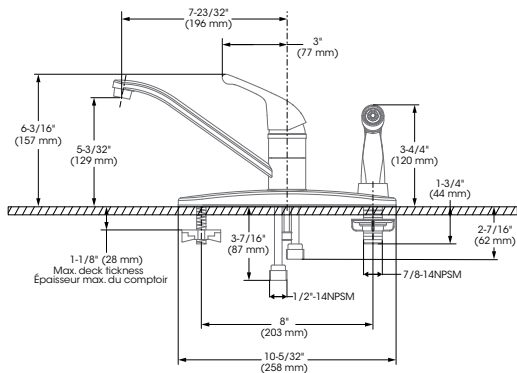
- Ceramic (FC9AC006)

LOW LEAD UPC C® 2 Jets Flex Included FC9AC006 Plate Spout: 8.3 L/min 2.2 gpm Brushed Nickel Finish

**KITCHEN SINK**

UPC : 064492134797 Carton : 6

**EBY68CCP** - Kitchen Sink Faucet



**FEATURES**

- 3-hole installation
- 8" swivel spout
- Integrated hand spray
- Maximum flow of 8.3 L/min (2.2 gpm) at 60 psi
- Zinc cover plate
- Hybrid waterways
- Low-lead (less than 0.25%)
- 1/2" IPS connections

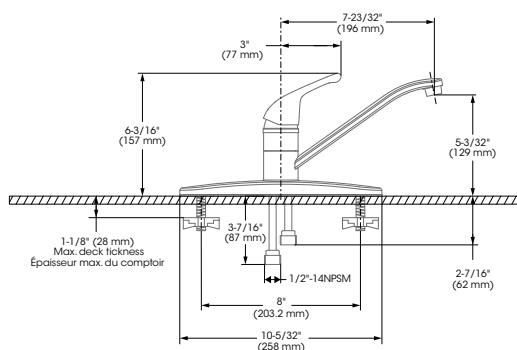
**CARTRIDGE**

- Ceramic (FC9M6)

UPC : 064492134780

Carton : 6

**EBY65CCP** - Kitchen Sink Faucet



**FEATURES**

- 3-hole installation
- 8" swivel spout
- Maximum flow of 8.3 L/min (2.2 gpm) at 60 psi
- Zinc cover plate
- Hybrid waterways
- Low-lead (less than 0.25%)
- 1/2" IPS connections

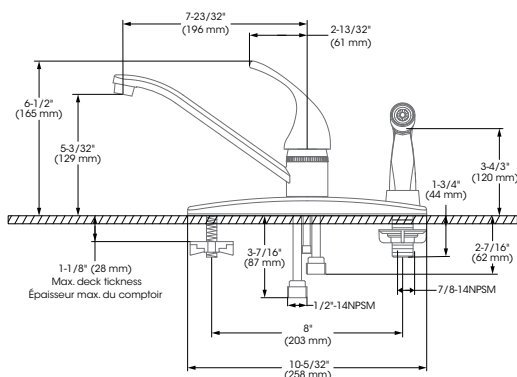
**CARTRIDGE**

- Ceramic (FC9M6)

UPC : 064492134773

Carton : 6

**EBO68BCP** - Kitchen Sink Faucet



**FEATURES**

- 3-hole installation
- 8" swivel spout
- Integrated hand spray
- Maximum flow of 8.3 L/min (2.2 gpm) at 60 psi
- Zinc cover plate
- Hybrid waterways
- Low-lead (less than 0.25%)
- 1/2" IPS connections

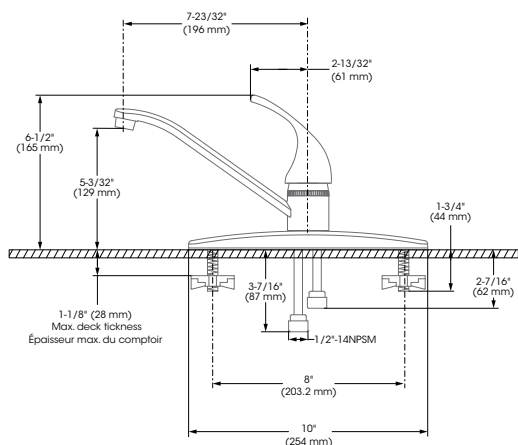
**CARTRIDGE**

- Stainless steel ball (94983)

UPC : 064492134834

Carton : 6

**EBO65BCP** - Kitchen Sink Faucet



**FEATURES**

- 3-hole installation
- 8" swivel spout
- Maximum flow of 8.3 L/min (2.2 gpm) at 60 psi
- Zinc cover plate
- Hybrid waterways
- Low-lead (less than 0.25%)
- 1/2" IPS connections

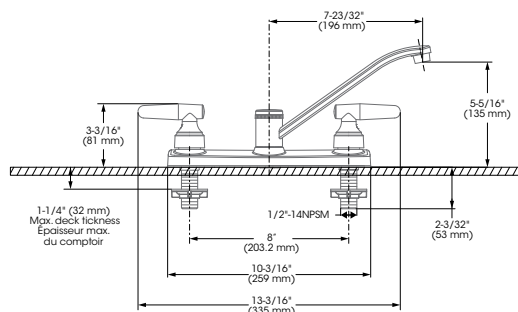
**CARTRIDGE**

- Stainless steel ball (94983)

UPC : 064492134827

Carton : 6

**EBU65WCP** - Kitchen Sink Faucet



**FEATURES**

- 8" c/c installation
- 8" swivel spout
- Maximum flow of 8.3 L/min (2.2 gpm) at 60 psi
- Zinc cover plate
- Hybrid waterways
- Low-lead (less than 0.25%)
- 1/2" IPS connections

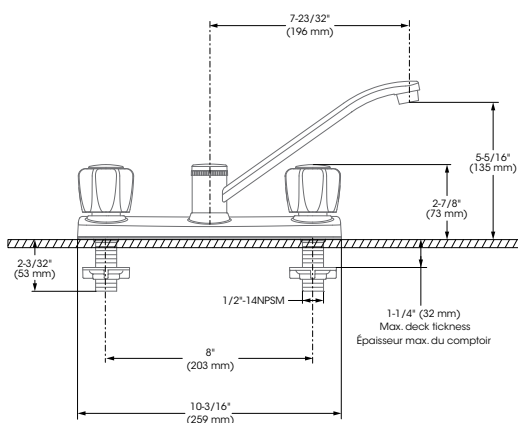
**CARTRIDGES**

- Washerless 1/4 turn (9CA72)

UPC : 064492134841

Carton : 6

**EBA65WCP** - Kitchen Sink Faucet



**FEATURES**

- 8" c/c installation
- 8" swivel spout
- Maximum flow of 8.3 L/min (2.2 gpm) at 60 psi
- Zinc cover plate
- Hybrid waterways
- Low-lead (less than 0.25%)
- 1/2" IPS connections

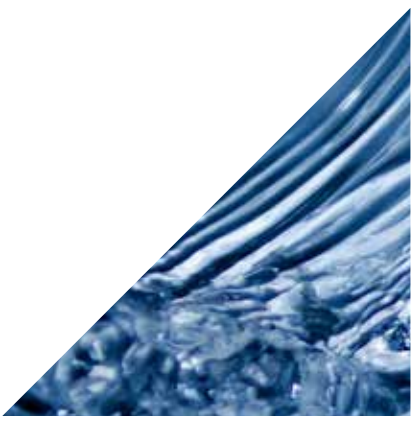
**CARTRIDGES**

- Washerless 1/4 turn (9CA72)

UPC : 064492134735

Carton : 6





# BATHROOM COLLECTIONS

essential<sup>®</sup>  
by belanger





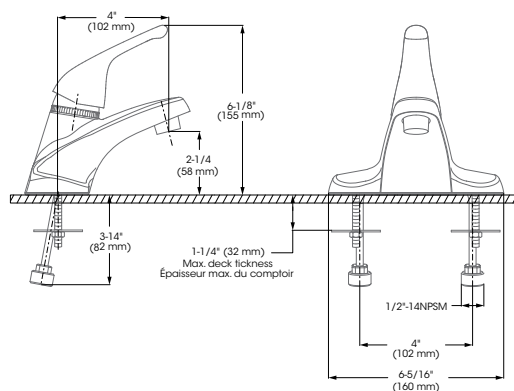
# EBY SERIES

essential®

**BATHROOM**

**LAVATORY SINK**

## EBY23CCP - Lavatory Sink Faucet



### FEATURES

- 4" c/c installation
- Can accommodate a mechanical pop-up lift rod
- Maximum flow of 5.7 L/min (1.5 gpm) at 60 psi (ecologia)
- Exterior metal shell
- Brass waterways
- Low-lead (less than 0.25%)
- 1/2" IPS connections

### CARTRIDGE

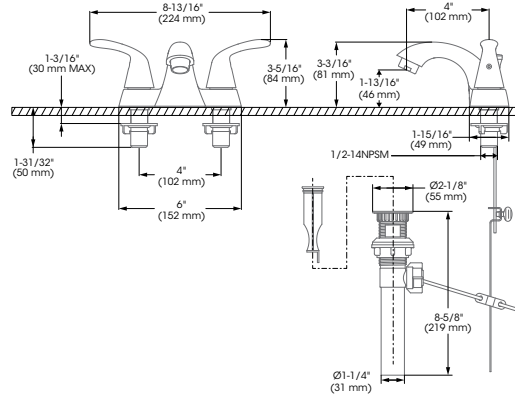
- Ceramic (FC9M6)



UPC : 064492134766

Carton : 6

**EBY74WCP** - Lavatory Sink Faucet



**FEATURES**

- 4" c/c installation
- Mechanical pop-up included
- Maximum flow of 5.7 L/min (1.5 gpm) at 60 psi (ecologia)
- Exterior metal shell
- Hybrid waterways
- Low-lead (less than 0.25%)
- 1/2" IPS connections

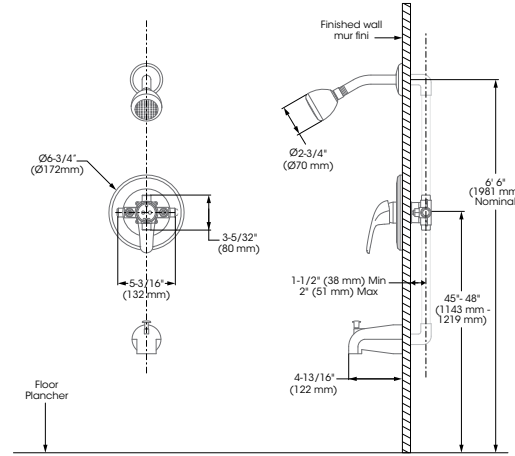
**CARTRIDGES**

- Washerless 1/4 turn (9CA73)

UPC : 064492134407

Carton : 6

**EBY90CCP** - Bathtub / Shower Faucet with Pressure Balanced Valve



**FEATURES**

- Pressure balance built into the cartridge
- Maximum flow of 22.5 L/min (6 gpm) at 60 psi
- Adjustable temperature limiting device
- Built-in check-stop valves
- Slip-on bathtub spout with built-in diverter
- Shower head:
  - Swivel
  - Easy-to-clean soft nozzles
  - Maximum flow of 9.5 L/min (2.5 gpm) at 80 psi
- 1/2" NPT / copper connections

**CARTRIDGE**

- Ceramic (FC9AC008C)

UPC : 064492134810

Carton : 6

**BATHTUB / SHOWER**

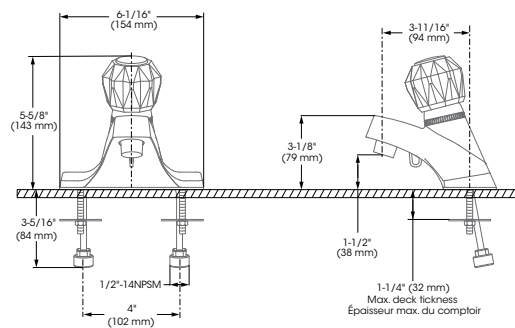
# EBA SERIES

essential®

**BATHROOM**

## EBA23BCP - Lavatory Sink Faucet

## LAVATORY SINK



### FEATURES

- 4" c/c installation
- Hook for drain plug
- Can accommodate a mechanical pop-up lift rod
- Maximum flow of 5.7 L/min (1.5 gpm) at 60 psi (ecologia)
- Exterior metal shell
- Low-lead (less than 0.25%)
- Hybrid waterways
- 1/2" IPS connections

### CARTRIDGE

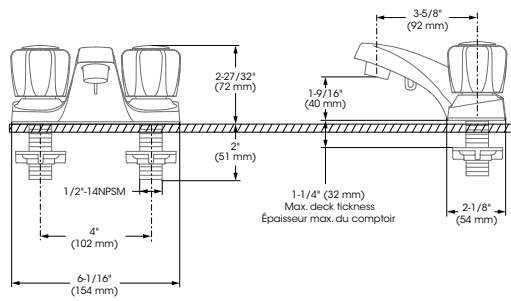
- Stainless steel ball (94983)



UPC : 064492134704

Carton : 6

**EBA73WCP - Lavatory Sink Faucet**



**FEATURES**

- 4" c/c installation
- Hook for drain plug
- Can accommodate a mechanical pop-up lift rod
- Maximum flow of 5.7 L/min (1.5 gpm) at 60 psi (ecoloGis)
- Exterior metal shell
- Hybrid waterways
- Low-lead (less than 0.25%)
- 1/2" IPS connections

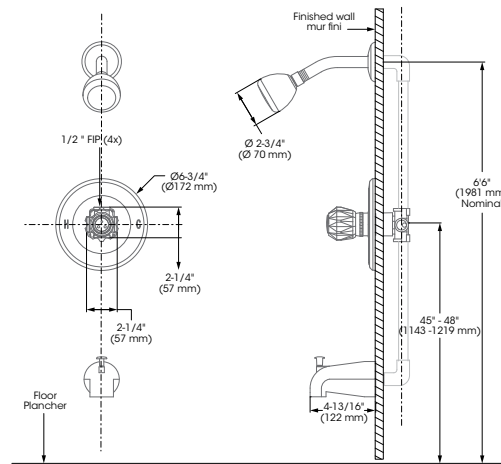
**CARTRIDGES**

- Washerless 1/4 turn (9CA72)

**UPC : 064492134742**

**Carton : 6**

**EBA90BCP - Bathtub / Shower Faucet**



**FEATURES**

- 1/2" NPT threaded bathtub spout with built-in diverter
- Shower head:
  - Swivel
  - Easy-to-clean soft nozzles
  - Maximum flow of 9.5 L/min (2.5 gpm) at 80 psi
- 1/2" NPT / copper connections

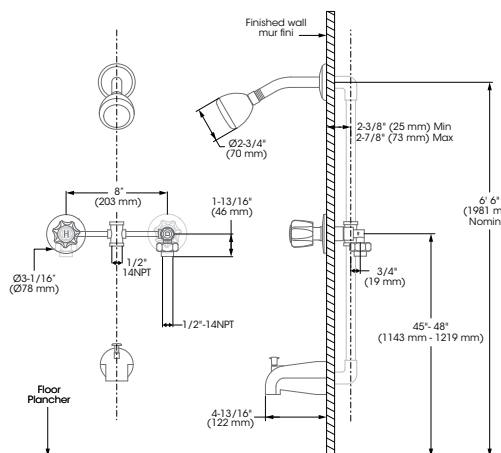
**CARTRIDGE**

- Stainless steel lever ball (94983)

**UPC : 064492134759**

**Carton : 6**

**EBA58WCP - Bathtub / Shower Faucet**



**FEATURES**

- 8" c/c installation
- 1/2" NPT threaded bathtub spout with built-in diverter
- Shower head:
  - Swivel
  - Easy-to-clean soft nozzles
  - Maximum flow of 9.5 L/min (2.5 gpm) at 80 psi
- 1/2" NPT / copper connections

**CARTRIDGES**

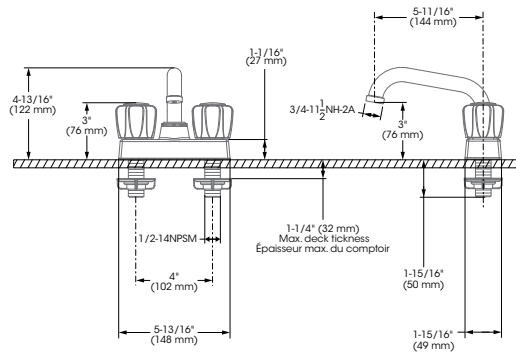
- Washerless 1/4 turn (9CA72)

**UPC : 064492134728**

**Carton : 6**

**EBA40WCP** - Laundry Tub Faucet

**LAUNDRY TUB**



**FEATURES**

- 4" c/c installation
- 5-3/4" swivel spout threaded for 3/4" garden hose connection
- Zinc cover plate
- Hybrid waterways
- Low-lead (less than 0.25%)
- 1/2" IPS connections

**CARTRIDGES**

- Washerless 1/4 turn (9CA72)

**UPC : 064492134711**

**Carton : 6**





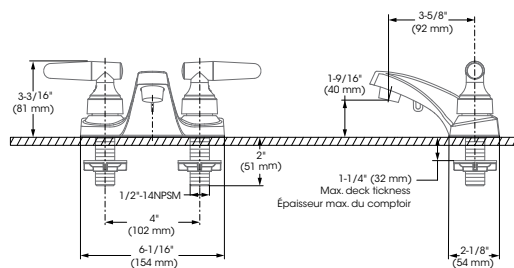
# EBU SERIES

essential®

BATHROOM

LAVATORY SINK

**EBU73WCP** - Lavatory Sink Faucet



**FEATURES**

- 4" c/c installation
- Hook for drain plug
- Can accommodate a mechanical pop-up lift rod
- Maximum flow of 5.7 L/min (1.5 gpm) at 60 psi (ecologia)
- Exterior metal shell
- Hybrid waterways
- Low-lead (less than 0.25%)
- 1/2" IPS connections

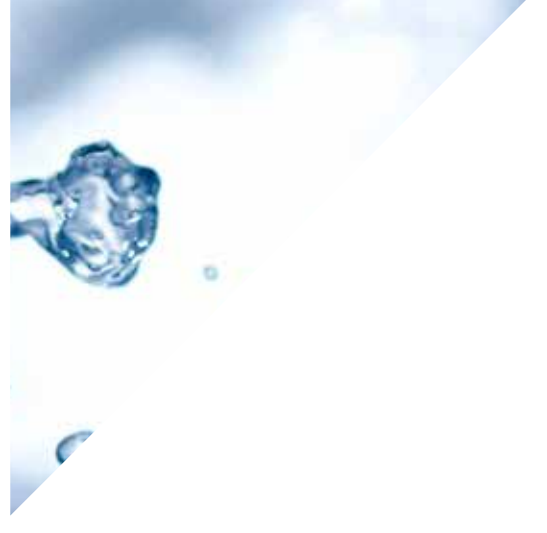
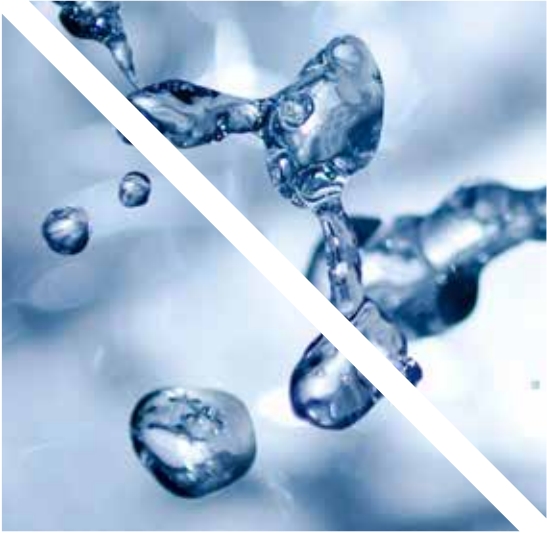
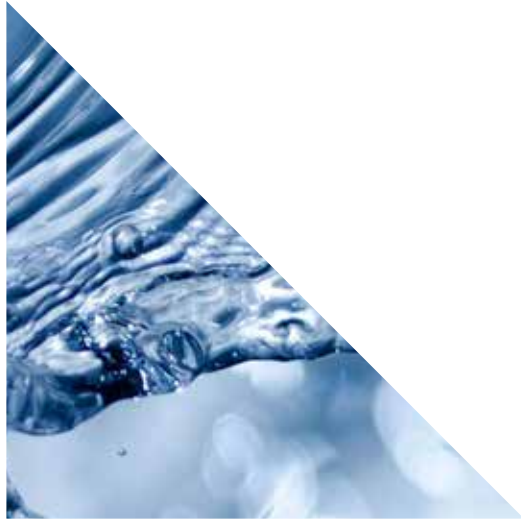
**CARTRIDGES**

- Washerless 1/4 turn (9CA72)



UPC : 064492134858

Carton : 6





KITCHEN  
BATHROOM  
LAUNDRY



 **belanger**<sup>®</sup>



# TABLE OF CONTENTS

*FAUCETS BY COLLECTIONS*

## KITCHEN

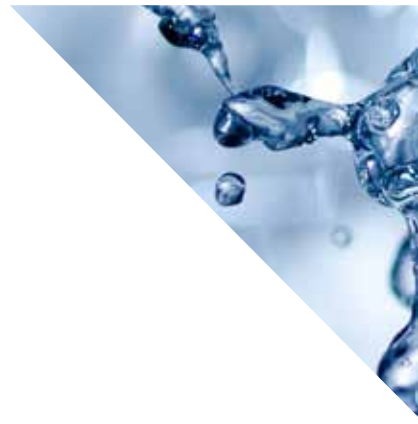
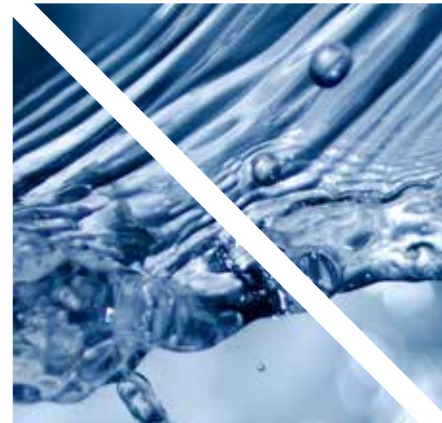
60 SERIES .....	C-5
47 SERIES .....	C-5
41 SERIES .....	C-6
30 SERIES .....	C-6 and C-8
21 SERIES .....	C-7

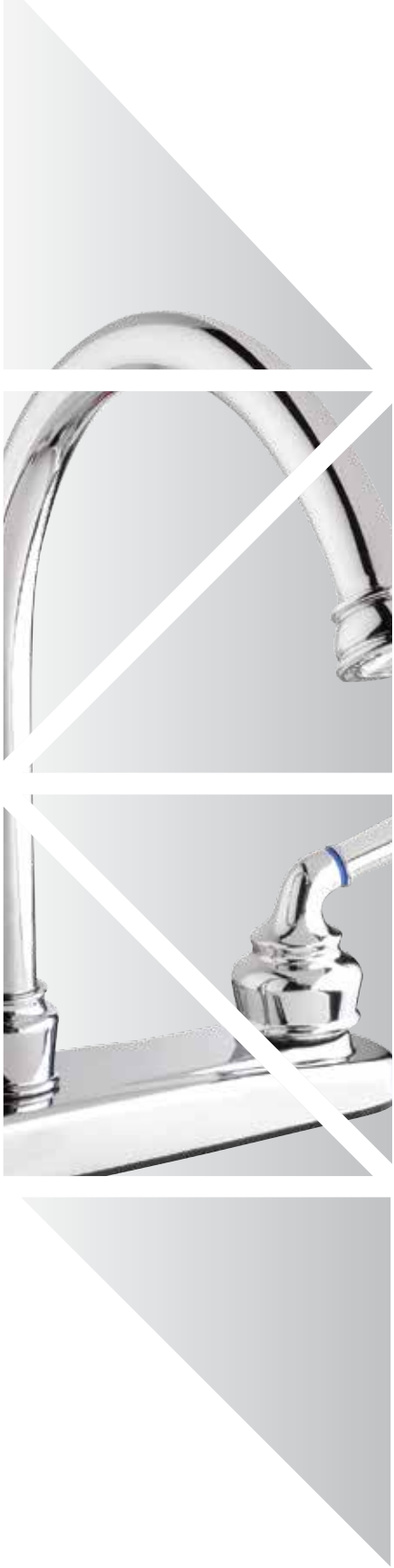
## BATHROOM

47 SERIES .....	C-11 to C-13
41 SERIES .....	C-15 to C-17
30 SERIES .....	C-19 to C-21
21 SERIES .....	C-23
99 SERIES .....	C-24

## LAUNDRY

30 SERIES .....	C-27
29 SERIES .....	C-27
70 SERIES .....	C-27 to C-28
2354 SERIES (Keeney® products) .....	C-29





# KITCHEN COLLECTIONS



 **belanger**<sup>®</sup>





**6077CP - Pull-Out Kitchen Sink Faucet**

LOWLEAD UPC C®

Flex Included

FC9AC006

Plate

Spout: 8.3 L/min 2.2 gpm

Polished Chrome Finish

**KITCHEN SINK**

**FEATURES**

- Single or 3-hole installation
- Vacuum breaker
- Cover plate for 8" c/c pre-drilled kitchen sink included
- Swivel pull-out spout with push-button diverter and 48" chromed metal flexible hose
- Maximum flow of 8.3 L/min (2.2 gpm) at 60 psi
- Brass body
- Low-lead (less than 0.25%)
- 1/2" IPS connections with flexible stainless steel braided connectors

**CARTRIDGE**

- Ceramic (FC9AC006)

**UPC : 064492059557**

**Carton : 6**

**4768CP - Kitchen Sink Faucet**

LOWLEAD UPC C®

Flex Included

FC9AC006

Spout: 8.3 L/min 2.2 gpm

Polished Chrome Finish

**KITCHEN SINK**

**FEATURES**

- 3-hole or 2-hole installation (adapter (9G8CP) sold separately)
- 8" swivel spout
- Integrated hand spray
- Maximum flow of 8.3 L/min (2.2 gpm) at 60 psi
- Stainless steel body
- Metal exterior shell
- Low-lead (less than 0.25%)
- 3/8" connections (9/16-24 UNEF) with flexible stainless steel braided connectors

**CARTRIDGE**

- Ceramic (FC9AC006)

**UPC : 064492086843**

**Carton : 10**

**4765CP - Kitchen Sink Faucet**

LOWLEAD UPC C®

Flex Included

FC9AC006

Spout: 8.3 L/min 2.2 gpm

Polished Chrome Finish

**KITCHEN SINK**

**FEATURES**

- 3-hole or single hole installation (adapter (9G8CP) sold separately)
- 8" swivel spout
- Maximum flow of 8.3 L/min (2.2 gpm) at 60 psi
- Stainless steel body
- Metal exterior shell
- Low-lead (less than 0.25%)
- 3/8" connections (9/16-24 UNEF) with flexible stainless steel braided connectors

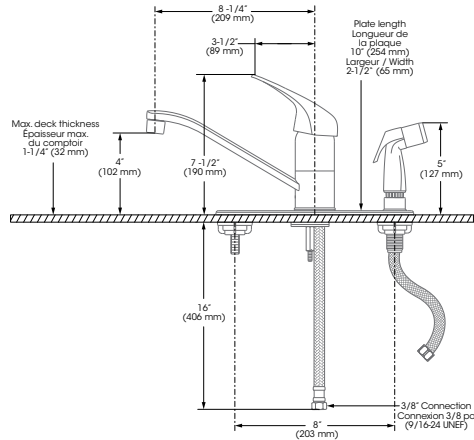
**CARTRIDGE**

- Ceramic (FC9AC006)

**UPC : 064492086829**

**Carton : 10**

**4168CP** - Kitchen Sink Faucet



**FEATURES**

- 3-hole or 2-hole installation (adapter (9G8CP) sold separately)
- 8" swivel spout
- Integrated hand spray
- Maximum flow of 8.3 L/min (2.2 gpm) at 60 psi
- Stainless steel body
- Metal exterior shell
- Low-lead (less than 0.25%)
- 3/8" connections (9/16-24 UNEF) with flexible stainless steel braided connectors

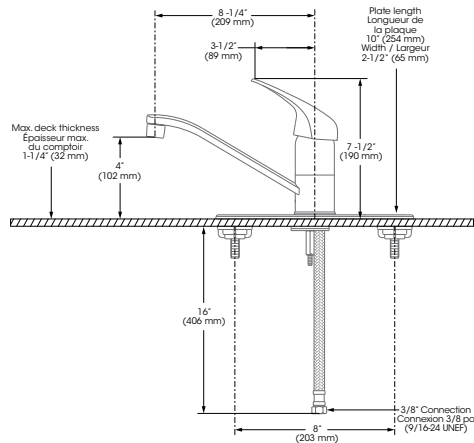
**CARTRIDGE**

- Ceramic (FC9AC006)

**UPC : 064492043068**

**Carton : 10**

**4165CP** - Kitchen Sink Faucet



**FEATURES**

- 3-hole or single hole installation (adapter (9G8CP) sold separately)
- 8" swivel spout
- Maximum flow of 8.3 L/min (2.2 gpm) at 60 psi
- Stainless steel body
- Metal exterior shell
- Low-lead (less than 0.25%)
- 3/8" connections (9/16-24 UNEF) with flexible stainless steel braided connectors

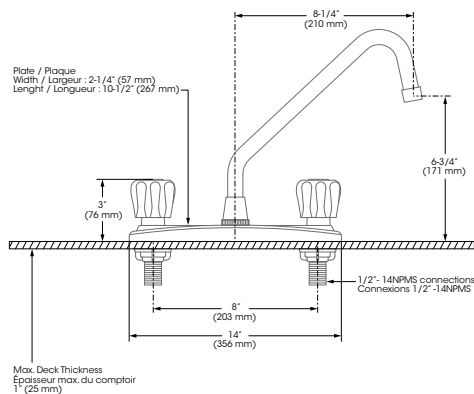
**CARTRIDGE**

- Ceramic (FC9AC006)

**UPC : 064492042641**

**Carton : 10**

**3065W** - Kitchen Sink Faucet



**FEATURES**

- 8" c/c installation
- 8" swivel spout
- Maximum flow of 8.3 L/min (2.2 gpm) at 60 psi
- Brass body
- Low-lead (less than 0.25%)
- 1/2" IPS connections

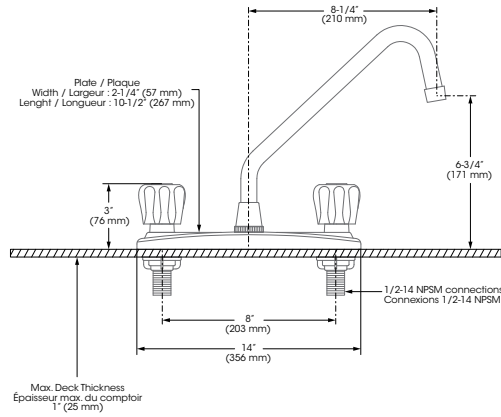
**CARTRIDGES**

- Ceramic 1/4 turn (FC9K2RH)

**UPC : 064492070309**

**Carton : 6**

**3065** - Kitchen Sink Faucet



Spout:  
8.3 L/min  
2.2 gpm



**FEATURES**

- 8" c/c installation
- 8" swivel spout
- Maximum flow of 8.3 L/min (2.2 gpm) at 60 psi
- Brass body
- Low-lead (less than 0.25%)
- 1/2" IPS connections

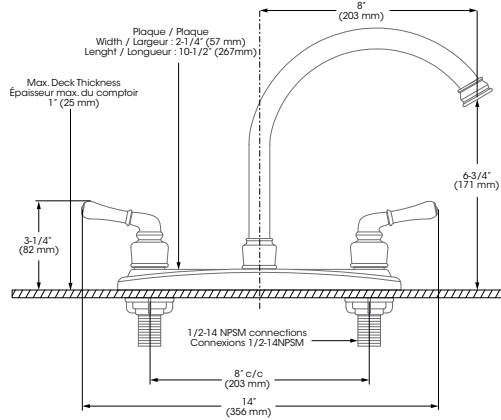
**CARTRIDGES**

- Compression (FC9C2RH)

UPC : 064492011210

Carton : 6

**21485W** - Kitchen Sink Faucet



Spout:  
8.3 L/min  
2.2 gpm



**FEATURES**

- 8" c/c installation
- 8" high arc swivel spout
- Maximum flow of 8.3 L/min (2.2 gpm) at 60 psi
- Brass body
- Low-lead (less than 0.25%)
- 1/2" IPS connections

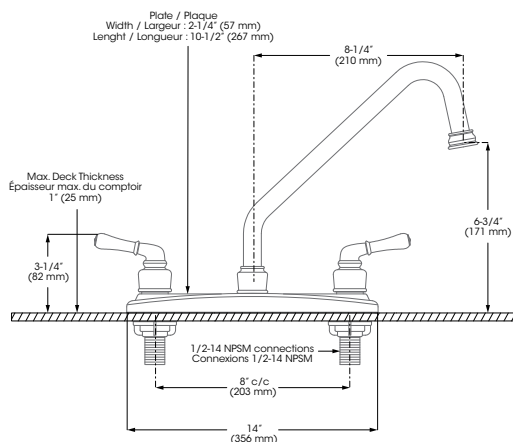
**CARTRIDGES**

- Ceramic 1/4 turn (FC9K2LH - FC9K2RH)

UPC : 064492096484

Carton : 6

**21465W** - Kitchen Sink Faucet



Spout:  
8.3 L/min  
2.2 gpm



**FEATURES**

- 8" c/c installation
- 8" swivel spout
- Maximum flow of 8.3 L/min (2.2 gpm) at 60 psi
- Brass body
- Low-lead (less than 0.25%)
- 1/2" IPS connections

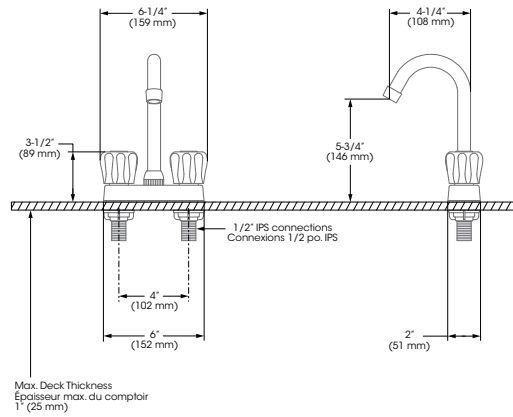
**CARTRIDGES**

- Ceramic 1/4 turn (FC9K2LH - FC9K2RH)

UPC : 064492087062

Carton : 6

**3055W** - Bar Sink Faucet



Max. Deck Thickness  
Épaisseur max. du comptoir  
1/8" (25 mm)

**FEATURES**

- 4" c/c installation
- 4-1/4" swivel spout
- Maximum flow of 5.7 L/min (1.5 gpm) at 60 psi (ecologia)
- Brass body
- Metal exterior shell
- Low-lead (less than 0.25%)
- 1/2" IPS connections

**CARTRIDGES**

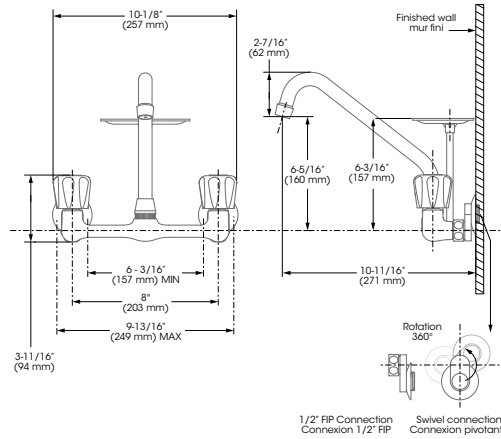
- Ceramic 1/4 turn (FC9K2RH)



**UPC : 064492070330**

**Carton : 6**

**3035** - Backsplash Sink Faucet



**FEATURES**

- Adjustable 6-3/16" to 9-13/16" c/c wall installation
- 8" swivel spout
- Raised soap tray
- Maximum flow of 8.3 L/min (2.2 gpm) at 60 psi
- Brass body
- Low-lead (less than 0.25%)
- 1/2" IPS connections

**CARTRIDGES**

- Compression (FC9C5RH)



**UPC : 064492133936**

**Carton : 10**



# BATHROOM COLLECTIONS



 **belanger**<sup>®</sup>





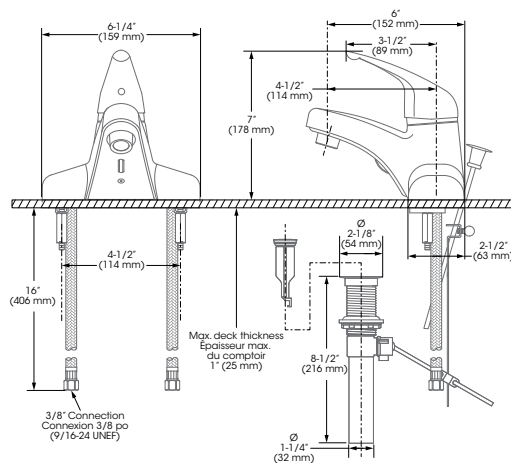
# 47 SERIES

belanger®

BATHROOM

## 4724CP - Lavatory Sink Faucet

## LAVATORY SINK



### FEATURES

- 4" c/c installation
- Mechanical pop-up included
- Maximum flow of 5.7 L/min (1.5 gpm) at 60 psi (ecologia)
- Brass body
- Metal exterior shell
- Low-lead (less than 0.25%)
- 3/8" connections (9/16-24 UNEF) with flexible stainless steel braided connectors

### CARTRIDGE

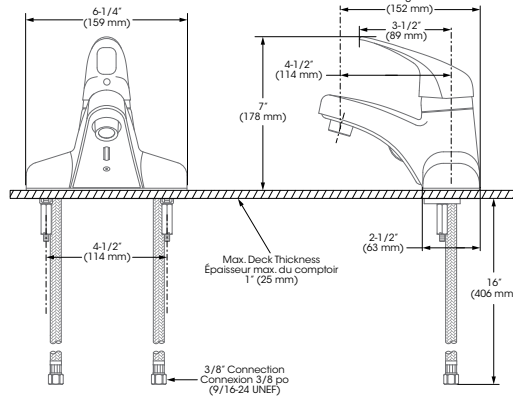
- Ceramic (FC9AC006)



UPC : 064492073492

Carton : 12

**4723CP** - Lavatory Sink Faucet



**FEATURES**

- 4" c/c installation
- Can accommodate a mechanical pop-up lift rod
- Maximum flow of 5.7 L/min (1.5 gpm) at 60 psi (ecologia)
- Brass body
- Metal exterior shell
- Low-lead (less than 0.25%)
- 3/8" connections (9/16-24 UNEF) with flexible stainless steel braided connectors

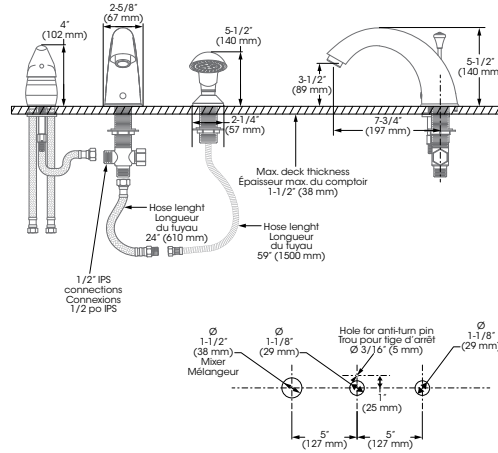
**CARTRIDGE**

- Ceramic (FC9AC006)

UPC : 064492073485

Carton : 12

**4743CP** - Roman Bathtub Faucet



**FEATURES**

- Flow control
- 8" to 14" c/c widespread installation
- Adjustable temperature limiting device
- Bathtub spout:
  - Slip-on with built-in diverter
  - Maximum flow of 20 L/min (5.3 gpm) at 45 psi
- Hand shower:
  - Easy-to-clean soft nozzles
  - Maximum flow of 9.5 L/min (2.5 gpm) at 80 psi
- Brass waterways
- 1/2" IPS connections with flexible stainless steel braided connectors

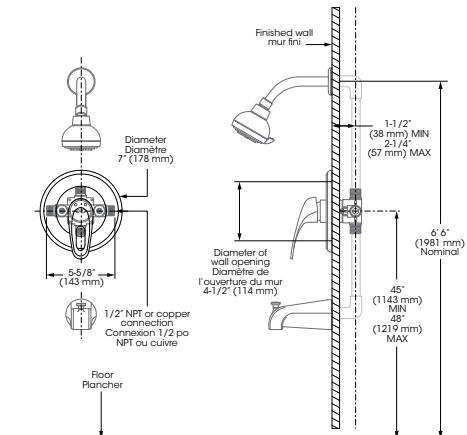
**CARTRIDGE**

- Ceramic (FC9AC007)

UPC : 064492084955

Carton : 4

**4710CP** - Bathtub / Shower Faucet with Pressure Balanced Valve



**FEATURES**

- Flow control
- Pressure balance built into the cartridge
- Maximum flow of 19 L/min (5 gpm) at 45 psi
- Adjustable temperature limiting device
- Built-in stop valves
- Bathtub spout:
  - Slip-on bathtub spout with built-in diverter
  - Flow rate of rough-in
- Shower head:
  - Swivel
  - 3 types of jets with 5 positions
  - Maximum flow of 9.5 L/min (2.5 gpm) at 80 psi
- Solid brass body
- 1/2" NPT / copper connections

**CARTRIDGE**

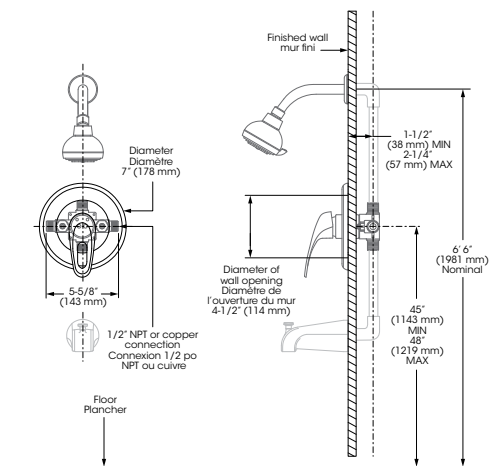
- Ceramic (FC9AC010)

UPC : 064492086454

Carton : 8

SHOWER

**4712CP** - Shower Faucet with Pressure Balanced Valve



**FEATURES**

- Flow control
- Pressure balance built into the cartridge
- Maximum flow of 19 L/min (5 gpm) at 45 psi
- Adjustable temperature limiting device
- Built-in stop valves
- Shower head:
  - Swivel
  - 3 types of jets with 5 positions
  - Maximum flow of 9.5 L/min (2.5 gpm) at 80 psi
- Solid brass body
- 1/2" NPT / copper connections

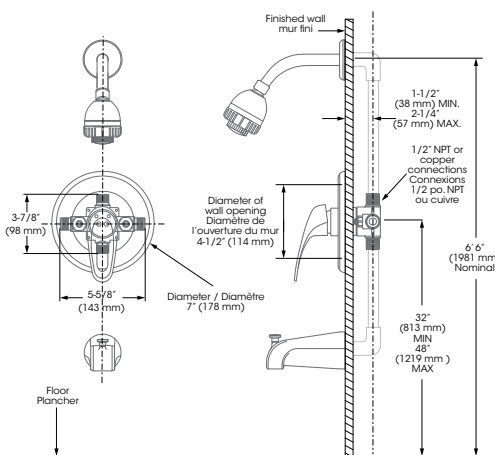
**CARTRIDGE**

- Ceramic (FC9AC010)

UPC : 064492093407

Carton : 8

**4790CP** - Bathtub / Shower Faucet with Pressure Balanced Valve



**FEATURES**

- Pressure balance built into the cartridge
- Maximum flow of 22.5 L/min (6 gpm) at 45 psi
- Adjustable temperature limiting device
- Built-in stop valves
- Bathtub spout:
  - Slip-on bathtub spout with built-in diverter
  - Flow rate of rough-in
- Shower head:
  - Swivel
  - 2 types of jets
  - Maximum flow of 9.5 L/min (2.5 gpm) at 80 psi
- Solid brass body
- 1/2" NPT / copper connections

**CARTRIDGE**

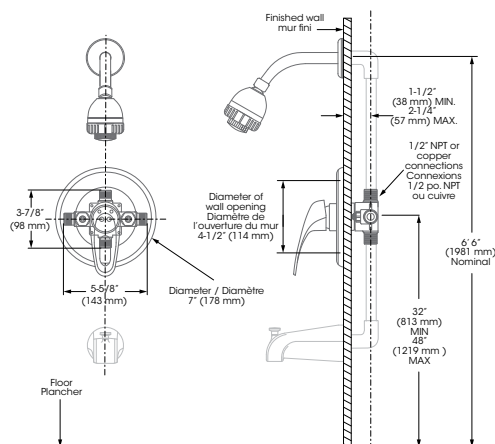
- Ceramic (FC9AC008C)

UPC : 064492086850

Carton : 8

BATHTUB / SHOWER

**4792CP** - Shower Faucet with Pressure Balanced Valve



**FEATURES**

- Pressure balance built into the cartridge
- Maximum flow of 22.5 L/min (6 gpm) at 45 psi
- Adjustable temperature limiting device
- Built-in stop valves
- Shower head:
  - Swivel
  - 2 types of jets
  - Maximum flow of 9.5 L/min (2.5 gpm) at 80 psi
- Solid brass body
- 1/2" NPT / copper connections

**CARTRIDGE**

- Ceramic (FC9AC008C)

UPC : 064492087109

Carton : 8

SHOWER



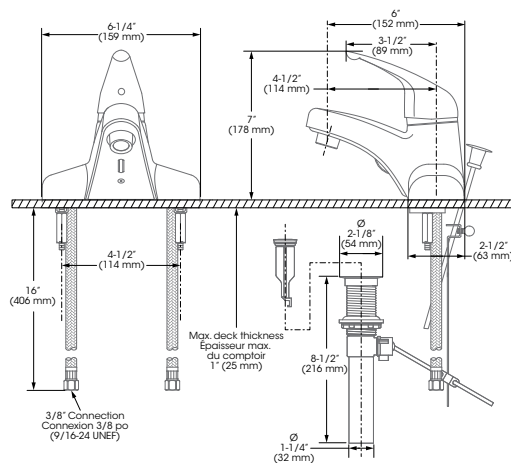
# 41 SERIES

belanger®

BATHROOM

## 4124CP - Lavatory Sink Faucet

## LAVATORY SINK



### FEATURES

- 4" c/c installation
- Mechanical pop-up included
- Maximum flow of 5.7 L/min (1.5 gpm) at 60 psi (ecologia)
- Brass body
- Metal exterior shell
- Low-lead (less than 0.25%)
- 3/8" connections (9/16-24 UNEF) with flexible stainless steel braided connectors

### CARTRIDGE

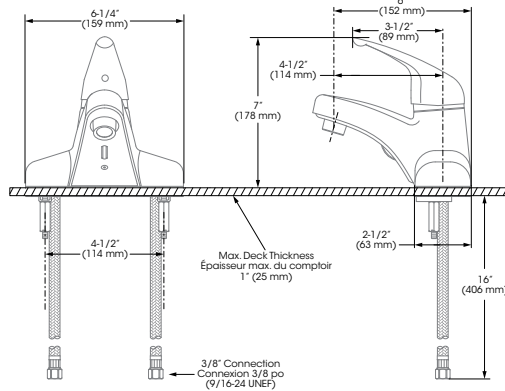
- Ceramic (FC9AC006)



UPC : 064492071474

Carton : 12

**4123CP - Lavatory Sink Faucet**



**FEATURES**

- 4" c/c installation
- Can accommodate a mechanical pop-up lift rod
- Maximum flow of 5.7 L/min (1.5 gpm) at 60 psi (ecologia)
- Brass body
- Metal exterior shell
- Low-lead (less than 0.25%)
- 3/8" connections (9/16-24 UNEF) with flexible stainless steel braided connectors

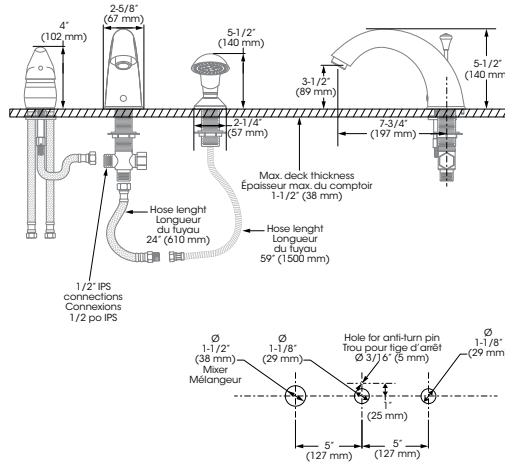
**CARTRIDGE**

- Ceramic (FC9AC006)

**UPC : 064492071443**

**Carton : 12**

**4143CP - Roman Bathtub Faucet**



**FEATURES**

- Flow control
- 8" to 14" c/c widespread installation
- Adjustable temperature limiting device
- Bathtub spout:
  - Slip-on with built-in diverter
  - Maximum flow of 20 L/min (5.3 gpm) at 45 psi
- Hand shower:
  - Easy to clean soft nozzles
  - Maximum flow of 9.5 L/min (2.5 gpm) at 80 psi
- Brass waterways
- 1/2" IPS connections with flexible stainless steel braided connectors

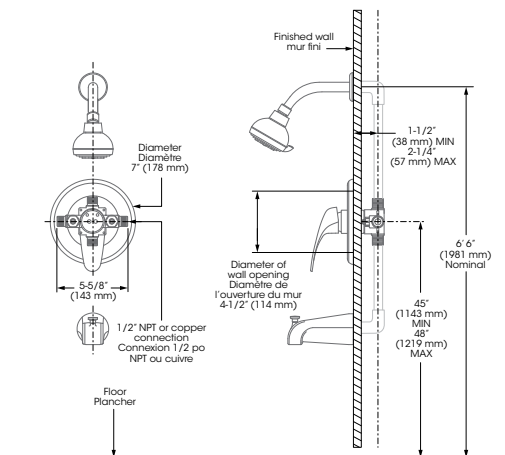
**CARTRIDGE**

- Ceramic (FC9AC007)

**UPC : 064492085211**

**Carton : 4**

**4110CP - Bathtub / Shower Faucet with Pressure Balanced Valve**



**FEATURES**

- Flow control
- Pressure balance built into the cartridge
- Maximum flow of 19 L/min (5 gpm) at 45 psi
- Adjustable temperature limiting device
- Built-in stop valves
- Bathtub spout:
  - Slip-on bathtub spout with built-in diverter
  - Flow rate of rough-in
- Shower head:
  - Swivel
  - 3 types of jets with 5 positions
  - Maximum flow of 9.5 L/min (2.5 gpm) at 80 psi
- Solid brass body
- 1/2" NPT / copper connections

**CARTRIDGE**

- Ceramic (FC9AC010)

**UPC : 064492086270**

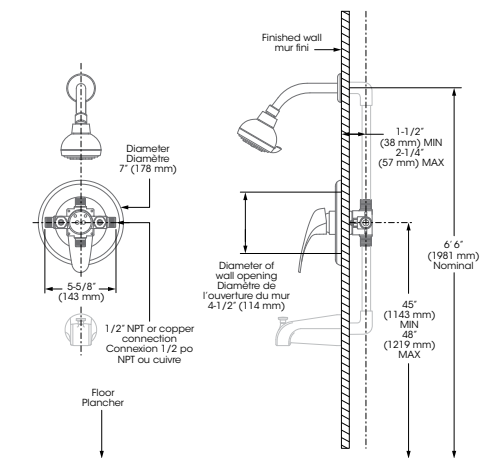
**Carton : 8**

**BATHTUB**

**BATHTUB / SHOWER**

**4112CP** - Shower Faucet with Pressure Balanced Valve

**SHOWER**



**FEATURES**

- Flow control
- Pressure balance built into the cartridge
- Maximum flow of 19 L/min (5 gpm) at 45 psi
- Adjustable temperature limiting device
- Built-in stop valves
- Shower head:
  - Swivel
  - 3 types of jets with 5 positions
  - Maximum flow of 9.5 L/min (2.5 gpm) at 80 psi
- Solid brass body
- 1/2" NPT / copper connections

**CARTRIDGE**

- Ceramic (FC9AC010)

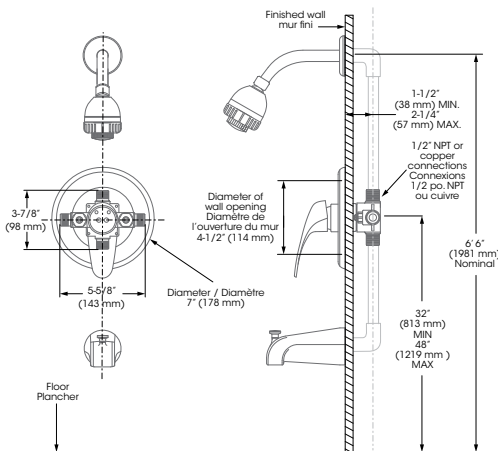


UPC : 064492086287

Carton : 8

**4190CP** - Bathtub / Shower Faucet with Pressure Balanced Valve

**BATHTUB / SHOWER**



**FEATURES**

- Pressure balance built into the cartridge
- Maximum flow of 22.5 L/min (6 gpm) at 45 psi
- Adjustable temperature limiting device
- Built-in stop valves
- Bathtub spout:
  - Slip-on bathtub spout with built-in diverter
  - Flow rate of rough-in
- Shower head:
  - Swivel
  - 2 types of jets
  - Maximum flow of 9.5 L/min (2.5 gpm) at 80 psi
- Solid brass body
- 1/2" NPT / copper connections

**CARTRIDGE**

- Ceramic (FC9AC008C)

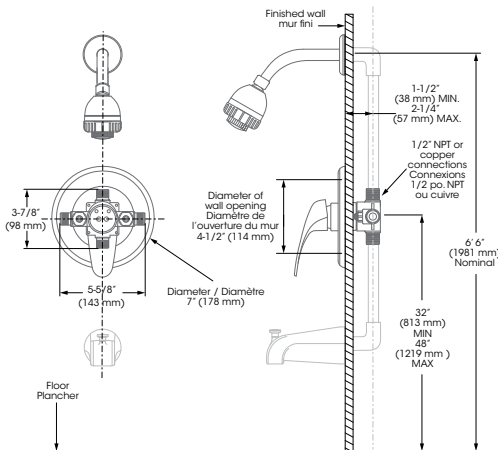


UPC : 064492085631

Carton : 8

**4192CP** - Shower Faucet with Pressure Balanced Valve

**SHOWER**



**FEATURES**

- Pressure balance built into the cartridge
- Maximum flow of 22.5 L/min (6 gpm) at 45 psi
- Adjustable temperature limiting device
- Built-in stop valves
- Shower head:
  - Swivel
  - 2 types of jets
  - Maximum flow of 9.5 L/min (2.5 gpm) at 80 psi
- Solid brass body
- 1/2" NPT / copper connections

**CARTRIDGE**

- Ceramic (FC9AC008C)



UPC : 064492085648

Carton : 8





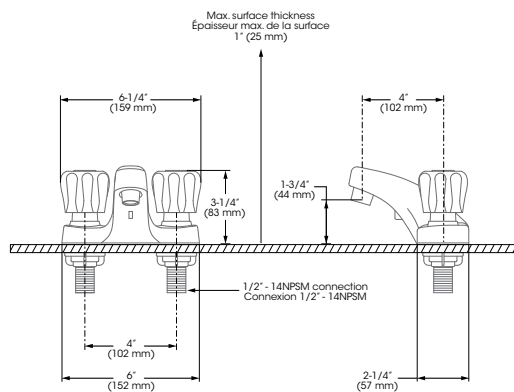
# 30 SERIES

belanger®

BATHROOM

LAVATORY SINK

## 3063W - Lavatory Sink Faucet



### FEATURES

- 4" c/c installation
- Can accommodate a mechanical pop-up lift rod
- Maximum flow of 5.7 L/min (1.5 gpm) at 60 psi (ecologia)
- Brass body
- Metal exterior shell
- Low-lead (less than 0.25%)
- 1/2" IPS connections

### CARTRIDGES

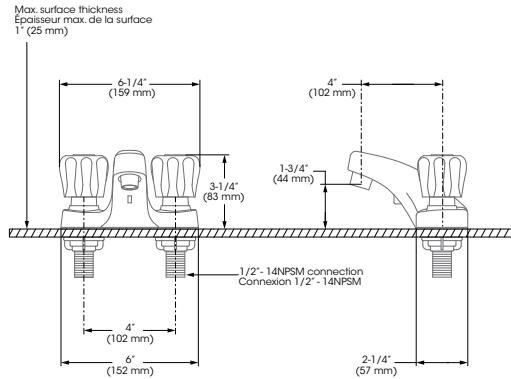
- Ceramic 1/4 turn (FC9K2RH)



UPC : 064492070293

Carton : 6

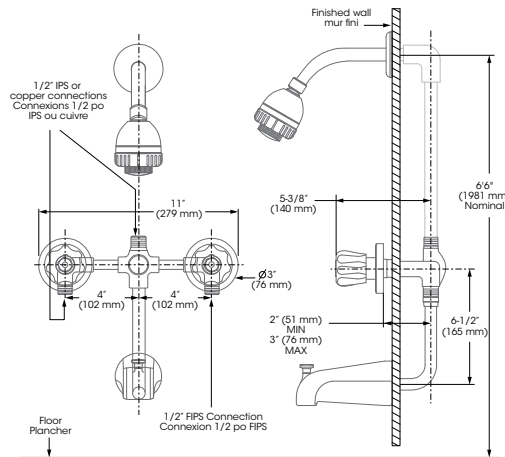
**3063** - Lavatory Sink Faucet



UPC : 064492011005

Carton : 6

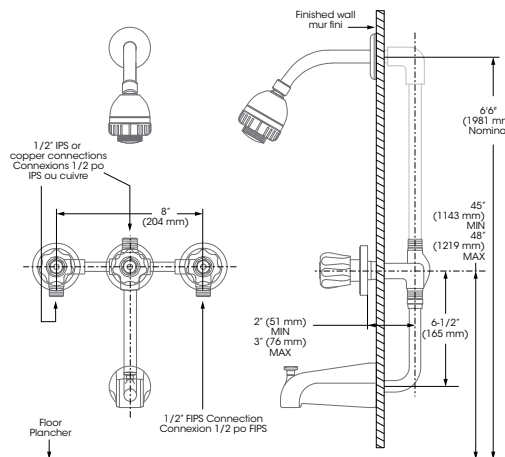
**3058W** - Bathtub / Shower Faucet



UPC : 064492071276

Carton : 6

**3060W** - Bathtub / Shower Faucet with Diverter Valve



UPC : 064492071283

Carton : 6

LAVATORY SINK

FEATURES

- 4" c/c installation
- Can accommodate a mechanical pop-up lift rod
- Maximum flow of 5.7 L/min (1.5 gpm) at 60 psi (ecologia)
- Brass body
- Metal exterior shell
- Low-lead (less than 0.25%)
- 1/2" IPS connections

CARTRIDGES

- Compression (FC9C2RH)

BATHTUB / SHOWER

FEATURES

- 8" c/c installation
- Maximum flow of 36 L/min (9.5 gpm) at 45 psi
- Slip-on bathtub spout with built-in diverter
- Shower head:
  - Swivel
  - 2 types of jets
  - Maximum flow of 9.5 L/min (2.5 gpm) at 80 psi
- 1/2" NPT / copper connections

CARTRIDGES

- Ceramic 1/4 turn (FC9K2RH)

BATHTUB / SHOWER

FEATURES

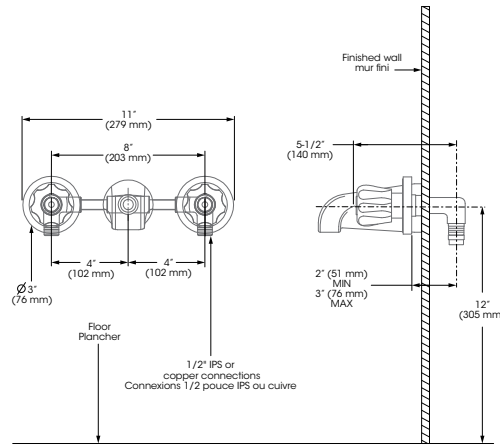
- 8" c/c installation
- Central diverter handle
- Maximum flow of 36 L/min (9.5 gpm) at 45 psi
- Slip-on bathtub spout
- Shower head:
  - Swivel
  - 2 types of jets
  - Maximum flow of 9.5 L/min (2.5 gpm) at 80 psi
- 1/2" NPT / copper connections

CARTRIDGES

- Ceramic 1/4 turn (FC9K2RH)

**3061W** - Wall Mount Bathtub Filler

BATHTUB



**FEATURES**

- Straight line 8" c/c installation
- Maximum flow of 40 L/min (10.6 gpm) at 45 psi
- Slip-on bathtub spout
- 1/2" NPT / copper connections

**CARTRIDGES**

- Ceramic 1/4 turn (FC9K2RH)



Valve:  
40 L/min  
10.6 gpm

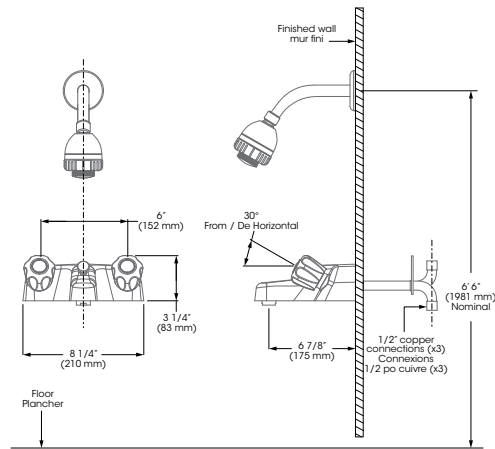


UPC : 064492080605

Carton : 6

**3068** - Bathtub / Shower Faucet

BATHTUB / SHOWER



**FEATURES**

- 6" c/c face mount installation
- Maximum flow of 36 L/min (9.5 gpm) at 45 psi
- Shower head:
  - Swivel
  - 2 types of jets
  - Maximum flow of 9.5 L/min (2.5 gpm) at 80 psi

**CARTRIDGES**

- Compression (FC9C2RH)



Jets:  
FC9C2RH  
FC9C2RH



S. Head:  
9.5 L/min  
2.5 gpm



UPC : 064492011449

Carton : 8



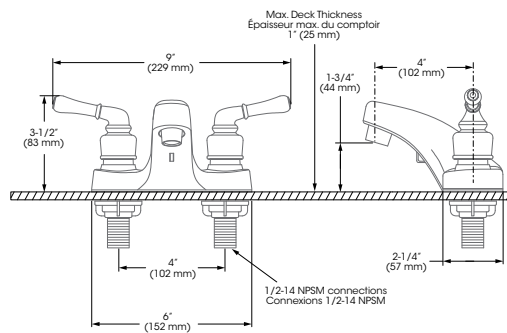
# 21 & 99 SERIES

belanger®

BATHROOM

## 21463W - Lavatory Sink Faucet

## LAVATORY SINK



### FEATURES

- 4" c/c installation
- Can accommodate a mechanical pop-up lift rod
- Maximum flow of 5.7 L/min (1.5 gpm) at 60 psi (ecologia)
- Brass body
- Metal exterior shell
- Low-lead (less than 0.25%)
- 1/2" IPS connections

### CARTRIDGES

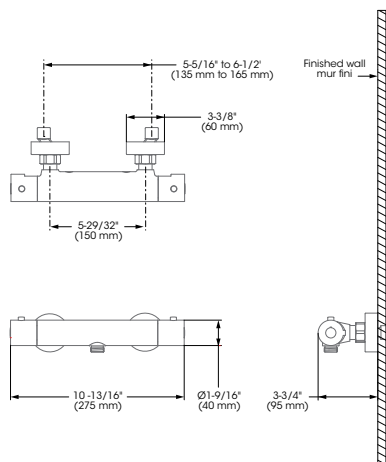
- Ceramic 1/4 turn (FC9K2LH - FC9K2RH)



UPC : 064492087086

Carton : 6

**99TSCP** - Thermostatic Exposed Valve



**FEATURES**

- 5-5/16 to 6-1/2" c/c exposed installation
- Temperature adjustable from 34° to 38°C by handle and adjustable from 39° to 49°C by pressing security button on ring
- Automatic flow shut off when cold water supply is interrupted
- Separate flow and temperature control handles
- Built-in check valves
- Solid brass body
- Off-centered 1/2" NPT connections

**CARTRIDGES**

- Ceramic 1/4 turn (FC9K6LH)
- Thermostatic (FCCART006)

**UPC : 064492143669**

**Carton : 8**







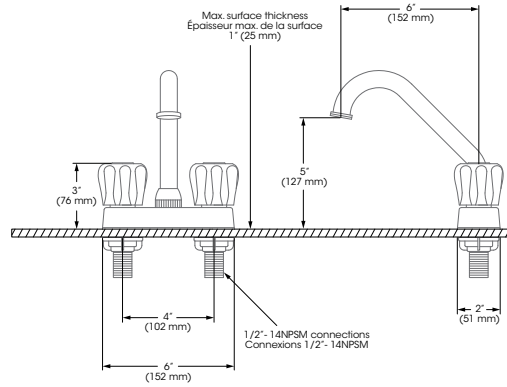
**LAUNDRY**  
COLLECTIONS



 **belanger**<sup>®</sup>



**3040W** - Laundry Tub Faucet



**FEATURES**

- 4" c/c installation
- 6" swivel spout, threaded for 3/4" garden hose connections
- Brass body
- Metal exterior shell
- Low-lead (less than 0.25%)
- 1/2" IPS connections

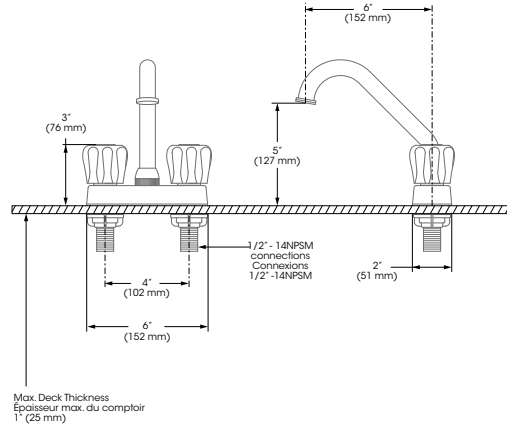
**CARTRIDGES**

- Ceramic 1/4 turn (FC9K2RH)

UPC : 064492070323

Carton : 6

**2940WKIT** - Laundry Tub Faucet with Installation Kit



**FEATURES**

- 4" c/c installation
- 6" swivel spout threaded for 3/4" garden hose connection
- Kit including: One faucet, two 20" flexible stainless steel braided connectors, one 1-1/2" P-trap and one 1-1/2" x 12" extension tube
- Brass body
- Metal exterior shell
- Low-lead (less than 0.25%)
- 1/2" IPS connections

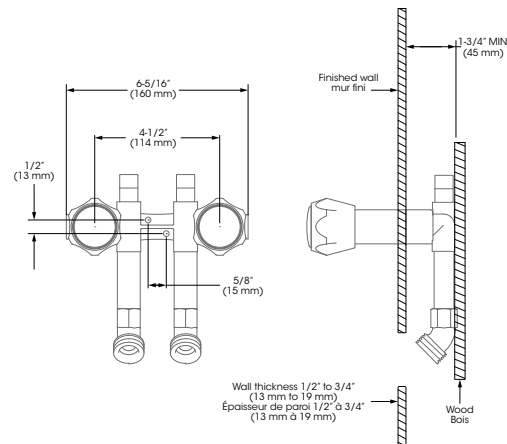
**CARTRIDGES**

- Ceramic 1/4 turn (FC9K2RH)

UPC : 064492079593

Carton : 6

**7046CW** - Concealed Faucet for Washing Machine



**FEATURES**

- 4-1/2" c/c installation
- Two 45° brass elbows with exit for 3/4" garden hose and 1/2" copper inlet
- Two plastic security caps for water tests included
- Solid brass body

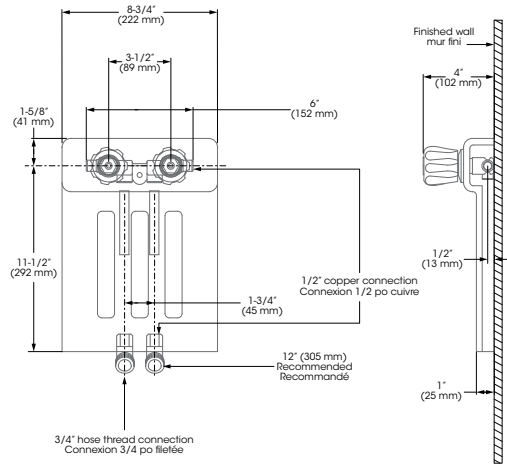
**CARTRIDGES**

- Ceramic 1/4 turn (9K2RH-1)

UPC : 064492107432

Carton : 10

**7047** - Exposed Faucet for Washing Machine



**FEATURES**

- 3-1/2" c/c installation
- Two 45° brass elbows with exit for 3/4" garden hose and 1/2" copper inlet
- Two plastic security caps for water tests included
- Solid brass body
- Polymer cover plate

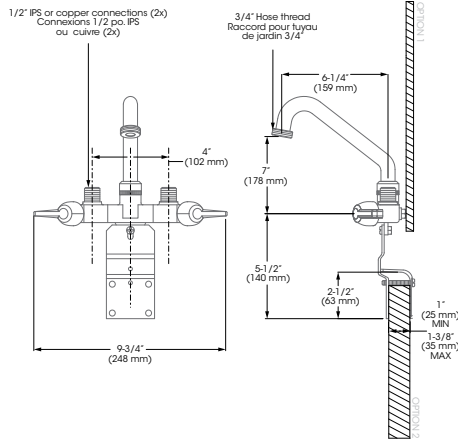
**CARTRIDGES**

- Ceramic 1/4 turn (FC9K2RH)

UPC : 064492066555

Carton : 10

**7021** - Laundry Tub Faucet



**FEATURES**

- 6-1/2" swivel spout threaded for 3/4" garden hose connection
- Integrated drip seal
- Wallmount holder included
- Brass body
- 1/2" NPT / copper connections

**CARTRIDGES**

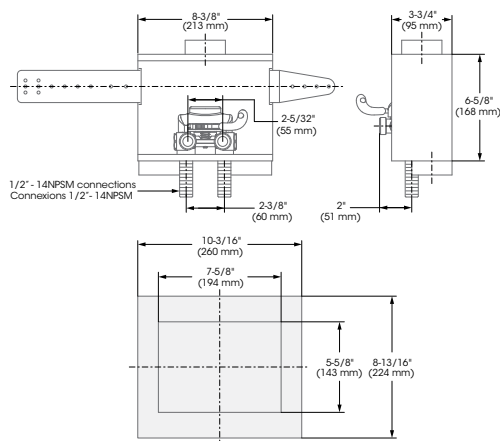
- Ceramic 1/4 turn (FC9K2LH - FC9K2RH)

UPC : 046224734789

Carton : 24

LAUNDRY TUB

**2354RBBX - TIMEOUT® Valve - Complete Washing Machine Outlet Box**



**FEATURES**

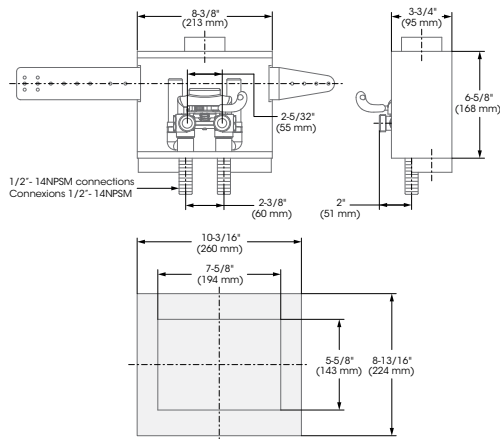
- Remodeling and new installations
- Compatible with most single lever supply valves including Symmons and Watts
- Pre-drilled stud anchors for fast installation
- Timer valve including:
  - 2 x 1/2" brass inlet connectors
- Adjustable timer up to 2 1/2 hours
- Manually activated, automatically shuts off
- Eliminates pressure on hoses and prevents flooding
- Tested for over 10,000 wash cycles (timer and valve)
- No wiring required
- Cast brass body
- Internal components in stainless steel
- 1/2" MIP or copper connections (inlet)
- 3/4" garden hose connections (outlet)

**UPC : 046224027836**

**Carton : 5**

**WASHING MACHINE**

**2354RBBXWHA - TIMEOUT® Valve - Complete Washing Machine Outlet Box with Water Hammer Arrestors**



**FEATURES**

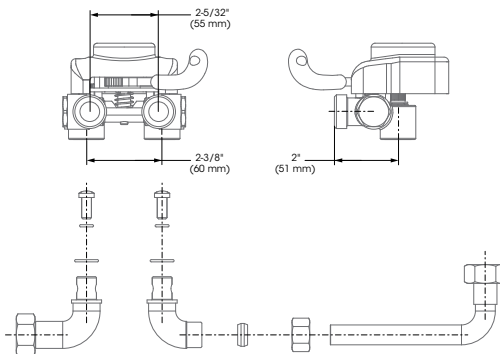
- Remodeling and new installations
- Compatible with most single lever supply valves including Symmons and Watts
- Pre-drilled stud anchors for fast installation
- Timer valve including:
  - 2 x 1/2" brass inlet connectors with water hammer arrestors
- Adjustable timer up to 2 1/2 hours
- Manually activated, automatically shuts off
- Eliminates pressure on hoses and prevents flooding
- Tested for over 10,000 wash cycles (timer and valve)
- No wiring required
- Cast brass body
- Internal components in stainless steel
- 1/2" MIP or copper connections (inlet)
- 3/4" garden hose connections (outlet)

**UPC : 046224039518**

**Carton : 1**

**WASHING MACHINE**

**2354WARMKIT - TIMEOUT® Valve for Washing Machine**

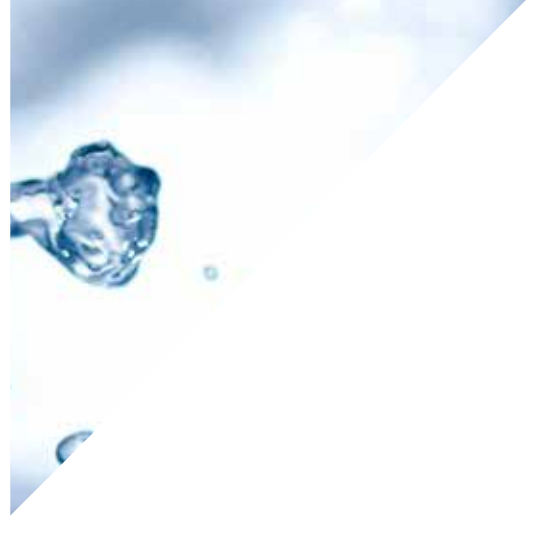
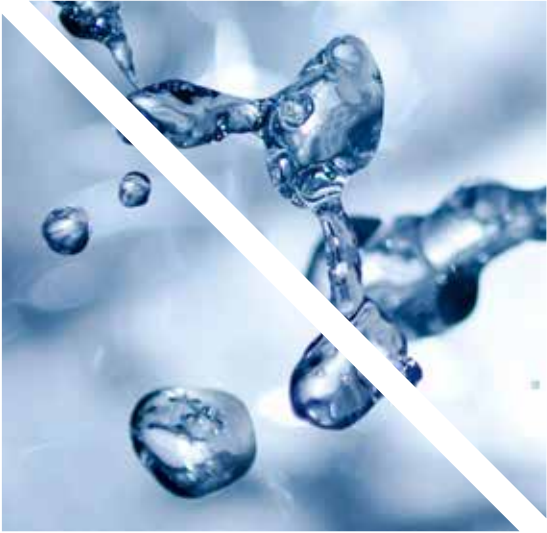
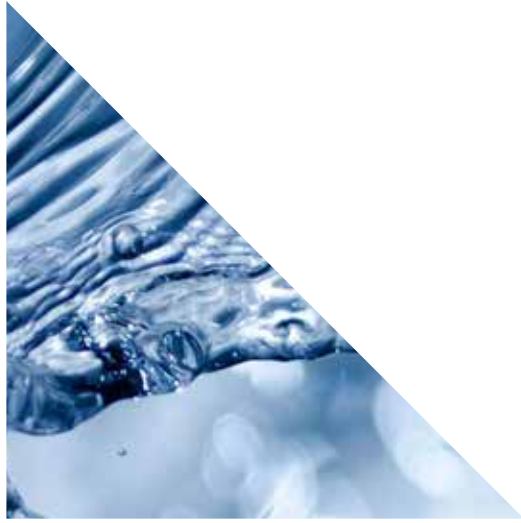


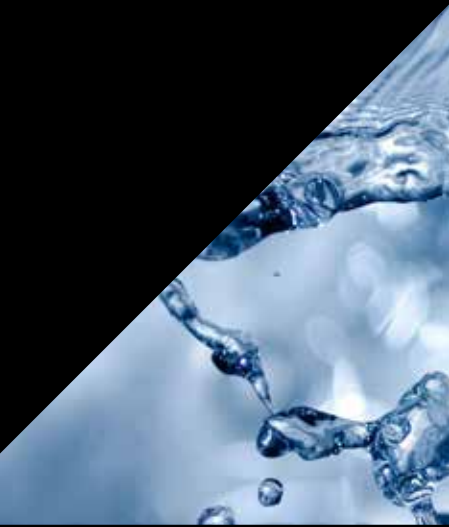
**FEATURES**

- Designed to fit existing installations
- Compatible with most single lever supply valves including Symmons and Watts
- Timer valve including:
  - Elbow threaded for 3/4" garden hose connection
  - Elbow and extension threaded for 3/4" garden hose connection
- Adjustable timer up to 2-1/2 hours
- Manually activated, automatically shuts off
- Eliminates pressure on hoses and prevents flooding
- Tested for over 10,000 wash cycles (timer and valve)
- No wiring required
- Cast brass body
- Internal components in stainless steel
- 3/4" garden hose connection (inlet and outlet)

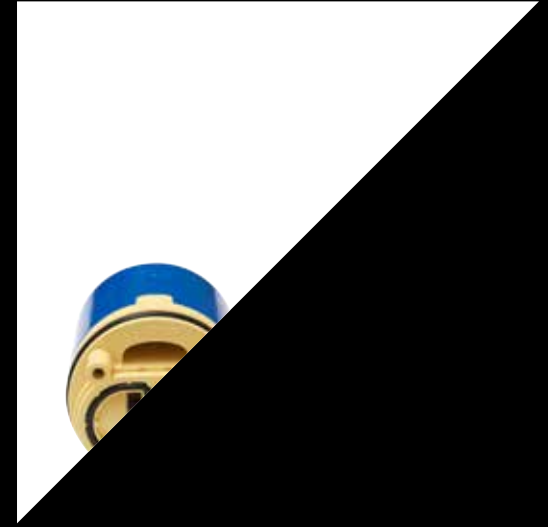
**UPC : 046224043515**

**Carton : 3**





# CARTRIDGES



essential<sup>®</sup>

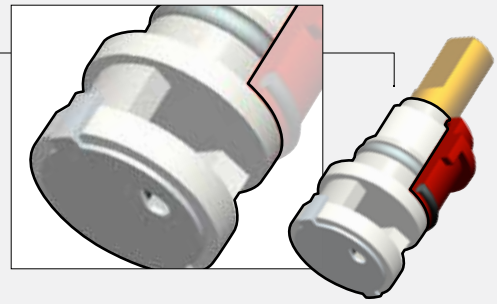
essential<sup>®</sup>Style

belanger<sup>®</sup>



## WASHERLESS CARTRIDGE

Plastic body and stainless  
1/4 turn opening



Reference icon



### 9CA72



#### ESSENTIAL

EBA40WCP .....	B-15
EBA58WCP .....	B-14
EBA65WCP .....	B-7
EBA73WCP .....	B-14
EBU65WCP .....	B-7
EBU73WCP .....	B-17

### 9CA73

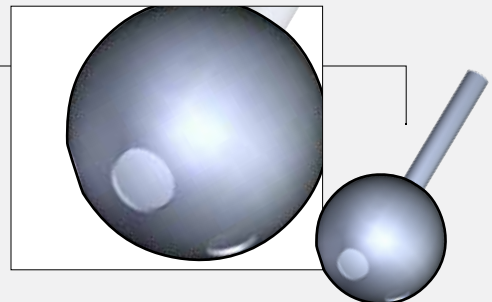


#### ESSENTIAL

EBY74WCP .....	B-12
----------------	------

## CARTRIDGE BALL

Stainless steel body  
Easy maintenance  
Long lasting



Reference icon



**94983**

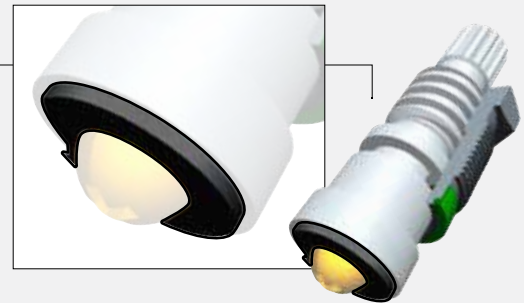


**ESSENTIAL**

EBA23BCP .....	<b>B-13</b>
EBA90BCP .....	<b>B-14</b>
EBO65BCP .....	<b>B-7</b>
EBO68BCP .....	<b>B-6</b>

**COMPRESSION CARTRIDGE**

Rubber washer  
Easy to replace



Reference icon



**C2 - (FC9C2RH)**



**BÉLANGER**

3063 .....	<b>C-20</b>
3065 .....	<b>C-7</b>
3068 .....	<b>C-21</b>

**FC9C5RH**



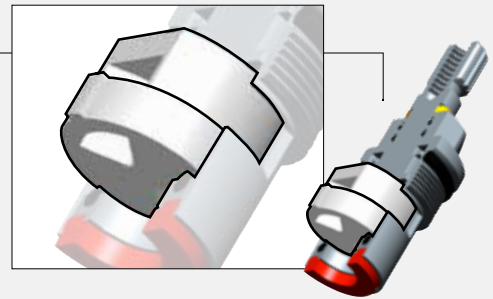
**BÉLANGER**

3035 .....	<b>C-8</b>
------------	------------

# 1/4 TURN CERAMIC CARTRIDGE

Ceramic discs  
1/4 turn opening  
Long lasting

Reference icon



## K2 - (FC9K2LH / FC9K2RH)



### ESSENTIAL STYLE

DEL74CCP .....A-16

### BÉLANGER

21463W .....C-23	3061W .....C-21
21465W .....C-7	3063W .....C-19
21485W .....C-7	3065W .....C-6
2940WKIT.....C-27	7021.....C-28
3040W .....C-27	7047.....C-28
3055W .....C-8	
3058W .....C-20	
3060W .....C-20	

## K2-1 - (9K2RH-1)



### BÉLANGER

7046CW .....C-27

## FC9K3LH / FC9K3RH



### ESSENTIAL STYLE

NEO44CBNWB.....A-21
NEO44CCP .....A-21
NEO73CCP .....A-20
NEO74CBN.....A-20
NEO74CCP .....A-19
NEO79CBN.....A-21
NEO79CCP .....A-20
SAL74CCP.....A-25

**FC9K4LH / FC9K4RH**

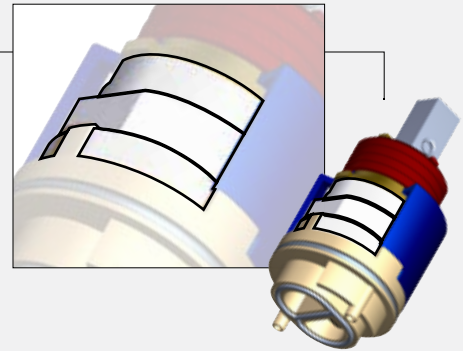


**ESSENTIAL STYLE**

ALT74CCP .....A-31

**CERAMIC CARTRIDGE**

Ceramic discs  
Long lasting



Reference icon



**FC9M5**



**ESSENTIAL STYLE**

DU024CCP .....A-30  
PUR26CCP .....A-30

**FC9M6**



**FCCARD003**



With diverter FCCARD003  
for DEL45CCP and QUA45CCP

**ESSENTIAL STYLE**

ARO78CCP ..... A-6 MTR77CCP ..... A-7  
DEL22CCP ..... A-15 NEX76CCP ..... A-5  
DEL45CCP ..... A-16 NEX76CBN ..... A-5  
GEM77CCP ..... A-7 PRO78CCP ..... A-5  
HOR25CCP ..... A-30 QUA45CCP ..... A-12  
LOF78CBN ..... A-6 URB78CBN ..... A-8  
LOF78CCP ..... A-6 URB78CCP ..... A-7  
MIR22CCP ..... A-29

**ESSENTIAL**

EBI78CCP ..... B-5 EBY65CCP ..... B-6  
EBY23CCP ..... B-11 EBY68CCP ..... B-6

**FC9M7**



**ESSENTIAL STYLE**

QUA22CCP .....A-11

**FC9AC006**



**ESSENTIAL**

EBY77CBN..... B-5 EBY77CCP ..... B-5

**BÉLANGER**

4123CP .....C-16 4724CP .....C-11  
 4124CP .....C-15 4765CP ..... C-5  
 4165CP ..... C-6 4768CP ..... C-5  
 4168CP ..... C-6 6077CP ..... C-5  
 4723CP .....C-12

**FC9AC007**



**ESSENTIAL STYLE**

DEL43CCP .....A-16

**BÉLANGER**

4143CP ..... C-16  
 4743CP ..... C-12

**FC9AC008C**



**ESSENTIAL STYLE**

DEL90CCP .....A-17 NEO90HSCCP .....A-22  
 NEO90CBN .....A-22 QUA90CCP .....A-12  
 NEO90CCP .....A-22 SAL90CCP .....A-26  
 NEO90HSBPN .....A-23

**ESSENTIAL**

EBY90CCP ..... B-12

**BÉLANGER**

4190CP .....C-17 4790CP .....C-13  
 4192CP .....C-17 4792CP .....C-13

CARTRIDGES

**FC9AC010**



**FCDIVA008**



With diverter FCDIVA008  
for **NE098CCP** and **QUA98CCP**

**ESSENTIAL STYLE**

NE098CCP .....	A-23
QUA98CCP .....	A-12

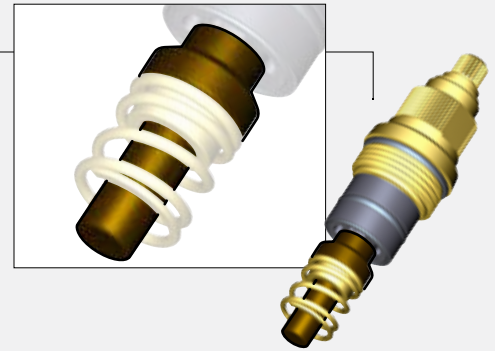
**BÉLANGER**

4110CP .....	C-16
4112CP .....	C-17
4710CP .....	C-12
4712CP .....	C-13

**THERMOSTATIC CARTRIDGE**

Thermostatic element  
Constant temperature maintain  
Long lasting

Reference icon



**FCCART002**



**FCCARD002**



With diverter FCCARD002  
for **QUA98TSCP** and **UNI98TSCP**

**ESSENTIAL STYLE**

QUA98TSCP .....	A-13
UNI98TSCP .....	A-31

**FCCART006**



**FC9K6LH**



With 1/4 turn ceramic cartridge  
FC9K6LH for **SYM003TSCP**

**ESSENTIAL STYLE**

SYM003TSCP .....	A-28
------------------	------

**BÉLANGER**

99TSCP .....	C-24
--------------	------

PRODUCT DELIVERED WITHOUT CARTRIDGE



**NO CARTRIDGE** - Product sold without cartridge



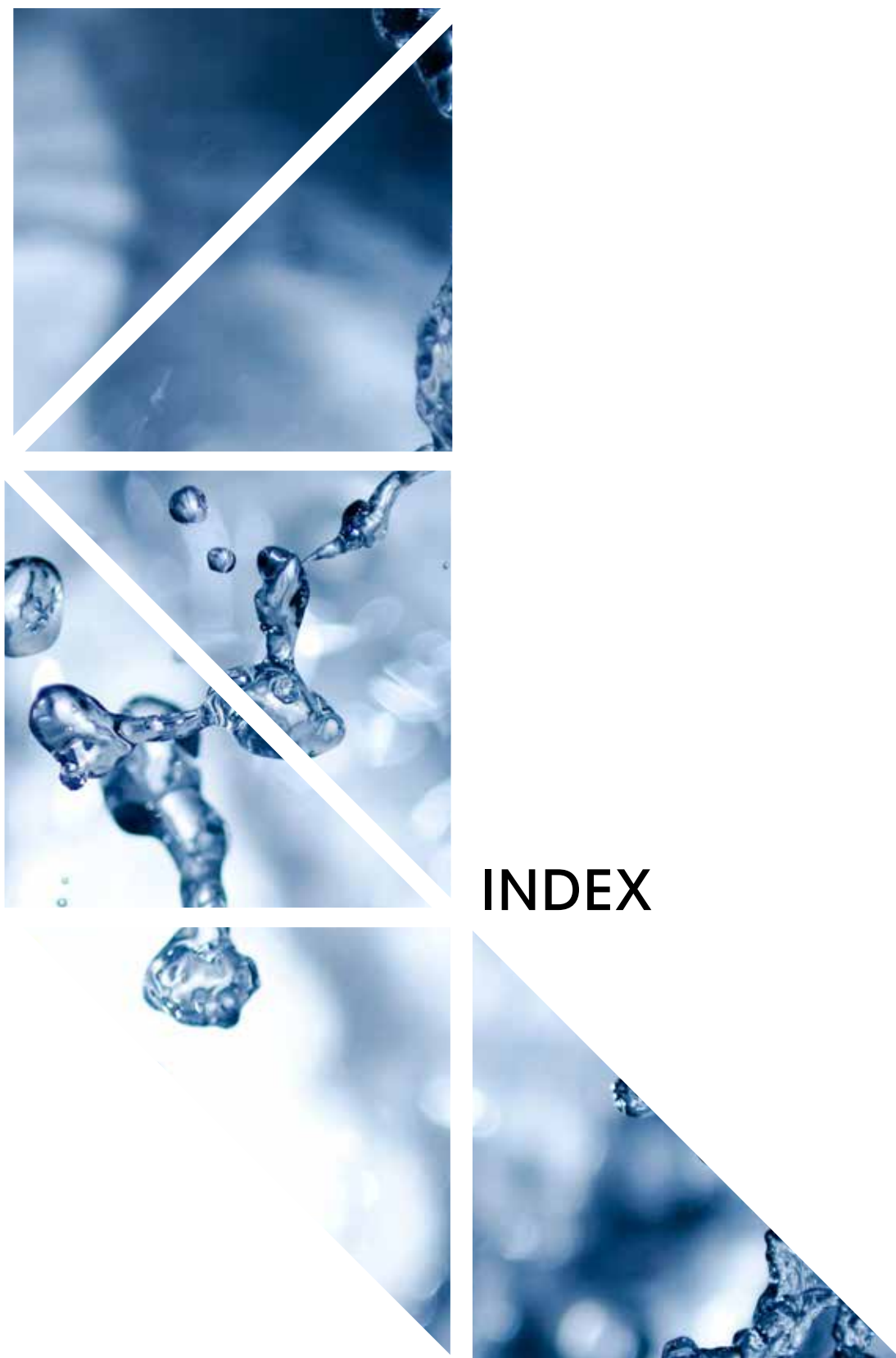
**ESSENTIAL STYLE**

SYM001CP .....	A-28
SYM011CP .....	A-27

**KEENEY**

2354RBBX .....	C-29
2354RBBXWHA .....	C-29
2354WARMKIT .....	C-29





# INDEX

essential®

essential<sup>®</sup>*Style*

 belanger®

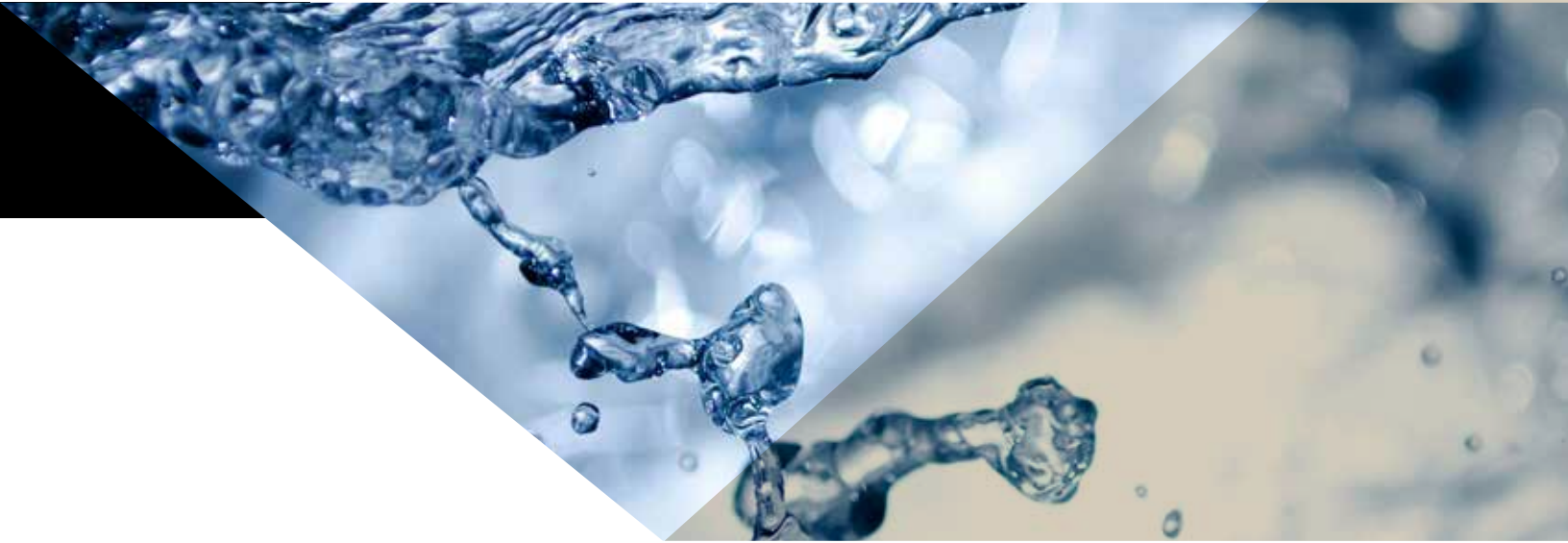


PRODUCT CODE	BRAND	CATEGORY	PAGE	CARTON	UPC
3035	Bélanger	Backsplash Sink	C-8	10	064492133936
3063	Bélanger	Lavatory Sink	C-20	6	064492011005
3065	Bélanger	Kitchen Sink	C-7	6	064492011210
3068	Bélanger	Bathub / Shower	C-22	8	064492011449
7021	Bélanger	Laundry Tub	C-28	24	046224734789
7047	Bélanger	Washing Machine	C-28	10	064492066555
21463W	Bélanger	Lavatory Sink	C-23	6	064492087086
21465W	Bélanger	Kitchen Sink	C-7	6	064492087062
21485W	Bélanger	Kitchen Sink	C-7	6	064492096484
2354RBBX	Keeney	Washing Machine	C-29	5	046224027836
2354RBBXWHA	Keeney	Washing Machine	C-29	1	046224039518
2354WARMKIT	Keeney	Washing Machine	C-29	3	046224043515
2940WKIT	Bélanger	Laundry Tub	C-27	6	064492079593
3040W	Bélanger	Laundry Tub	C-27	6	064492070323
3055W	Bélanger	Bar Sink	C-8	6	064492070330
3058W	Bélanger	Bathub / Shower	C-20	6	064492071276
3060W	Bélanger	Bathub / Shower	C-21	6	064492071283
3061W	Bélanger	Bathub	C-21	6	064492080605
3063W	Bélanger	Lavatory Sink	C-19	6	064492070293
3065W	Bélanger	Kitchen Sink	C-6	6	064492070309
4110CP	Bélanger	Bathub / Shower	C-16	8	064492086270
4112CP	Bélanger	Shower	C-17	8	064492086287
4123CP	Bélanger	Lavatory Sink	C-16	12	064492071443
4124CP	Bélanger	Lavatory Sink	C-15	12	064492071474
4143CP	Bélanger	Bathub	C-16	4	064492085211
4165CP	Bélanger	Kitchen Sink	C-6	10	064492042641
4168CP	Bélanger	Kitchen Sink	C-6	10	064492043068
4190CP	Bélanger	Bathub / Shower	C-17	8	064492085631
4192CP	Bélanger	Shower	C-17	8	064492085648
4710CP	Bélanger	Bathub / Shower	C-12	8	064492086454
4712CP	Bélanger	Shower	C-13	8	064492093407
4723CP	Bélanger	Lavatory Sink	C-12	12	064492073485
4724CP	Bélanger	Lavatory Sink	C-11	12	064492073492
4743CP	Bélanger	Bathub	C-12	4	064492084955
4765CP	Bélanger	Kitchen Sink	C-5	10	064492086829
4768CP	Bélanger	Kitchen Sink	C-5	10	064492086843
4790CP	Bélanger	Bathub / Shower	C-13	8	064492086850
4792CP	Bélanger	Shower	C-13	8	064492087109
6077CP	Bélanger	Kitchen Sink	C-5	6	064492059557
7046CW	Bélanger	Washing Machine	C-27	10	064492107432
99TSCP	Bélanger	Shower	C-24	8	064492143669
ALT74CCP	Essential Style	Lavatory Sink	A-30	6	064492135657
AR078CCP	Essential Style	Kitchen Sink	A-6	6	064492134360
DEL22CCP	Essential Style	Lavatory Sink	A-15	6	064492135206
DEL43CCP	Essential Style	Bathub	A-16	4	064492134391
DEL45CCP	Essential Style	Bathub	A-16	3	064492140972
DEL74CCP	Essential Style	Lavatory Sink	A-16	6	064492134995
DEL90CCP	Essential Style	Bathub / Shower	A-17	6	064492135008
DUO24CCP	Essential Style	Lavatory Sink	A-30	8	064492135480
EBA23BCP	Essential	Lavatory Sink	B-13	6	064492134704
EBA40WCP	Essential	Laundry Tub	B-15	6	064492134711
EBA58WCP	Essential	Bathub / Shower	B-14	6	064492134728
EBA65WCP	Essential	Kitchen Sink	B-7	6	064492134735
EBA73WCP	Essential	Lavatory Sink	B-14	6	064492134742
EBA90BCP	Essential	Bathub / Shower	B-14	6	064492134759

PRODUCT CODE	BRAND	CATEGORY	PAGE	CARTON	UPC
EBI78CCP	Essential	Kitchen Sink	B-5	6	064492141351
EB065BCP	Essential	Kitchen Sink	B-7	6	064492134827
EB068BCP	Essential	Kitchen Sink	B-6	6	064492134834
EBU65WCP	Essential	Kitchen Sink	B-7	6	064492134841
EBU73WCP	Essential	Lavatory Sink	B-17	6	064492134858
EBY23CCP	Essential	Lavatory Sink	B-11	6	064492134766
EBY65CCP	Essential	Kitchen Sink	B-6	6	064492134773
EBY68CCP	Essential	Kitchen Sink	B-6	6	064492134780
EBY74WCP	Essential	Lavatory Sink	B-12	6	064492134407
EBY77CBN	Essential	Kitchen Sink	B-5	6	064492134797
EBY77CCP	Essential	Kitchen Sink	B-5	6	064492134803
EBY90CCP	Essential	Bathtub / Shower	B-12	6	064492134810
GEM77CCP	Essential Style	Kitchen Sink	A-7	6	064492134353
HOR25CCP	Essential Style	Lavatory Sink	A-29	6	064492135015
LOF78CBN	Essential Style	Kitchen Sink	A-6	6	064492135046
LOF78CCP	Essential Style	Kitchen Sink	A-6	6	064492135053
MIR22CCP	Essential Style	Lavatory Sink	A-29	6	064492134421
MTR77CCP	Essential Style	Kitchen Sink	A-7	6	064492134346
NEO44CBNWB	Essential Style	Bathtub	A-21	4	064492137002
NEO44CCP	Essential Style	Bathtub	A-21	4	064492134438
NEO73CCP	Essential Style	Lavatory Sink	A-20	6	064492134865
NEO74CBN	Essential Style	Lavatory Sink	A-20	6	064492134964
NEO74CCP	Essential Style	Lavatory Sink	A-19	6	064492134445
NEO79CBN	Essential Style	Lavatory Sink	A-21	6	064492134971
NEO79CCP	Essential Style	Lavatory Sink	A-20	6	064492134452
NEO90CBN	Essential Style	Bathtub / Shower	A-22	6	064492134872
NEO90CCP	Essential Style	Bathtub / Shower	A-22	6	064492134469
NEO90HSCBN	Essential Style	Bathtub / Shower	A-23	6	064492135640
NEO90HSCCP	Essential Style	Bathtub / Shower	A-22	6	064492134988
NEO98CCP	Essential Style	Bathtub / Shower	A-23	6	064492142433
NEX76CBN	Essential Style	Kitchen Sink	A-5	6	064492140798
NEX76CCP	Essential Style	Kitchen Sink	A-5	6	064492140781
PRO78CCP	Essential Style	Kitchen Sink	A-5	6	064492135060
PUR26CCP	Essential Style	Vessel Sink	A-29	6	064492135633
QUA22CCP	Essential Style	Lavatory Sink	A-11	6	064492134476
QUA45CCP	Essential Style	Bathtub	A-12	3	064492140965
QUA90CCP	Essential Style	Bathtub / Shower	A-12	6	064492135664
QUA98CCP	Essential Style	Bathtub / Shower	A-12	6	064492142457
QUA98TSCP	Essential Style	Bathtub / Shower	A-13	4	064492142464
SAL74CCP	Essential Style	Lavatory Sink	A-25	6	064492135176
SAL90CCP	Essential Style	Bathtub / Shower	A-26	6	064492135183
SYM001CP	Essential Style	Shower	A-28	6	064492139235
SYM003TSCCP	Essential Style	Shower	A-28	4	064492143676
SYM011CP	Essential Style	Shower	A-27	5	064492143621
UNI98TSCP	Essential Style	Bathtub / Shower	A-30	4	064492142440
URB78CBN	Essential Style	Kitchen Sink	A-8	6	064492141139
URB78CCP	Essential Style	Kitchen Sink	A-7	6	064492141146



What you see  
and what you don't



OFFICE:

514-940-9634 | 1-800-361-5960

FAX:

514-940-8313 | 1-888-533-8313

6520 Abrams, Saint-Laurent, QC H4S 1Y2

[clientinfo@belanger-upt.com](mailto:clientinfo@belanger-upt.com)

[belanger-upt.com](http://belanger-upt.com)

