



# San Francisco Cobblestone

INTERLOCKING PAVING STONES



Front cover San Francisco Cobblestone Pavers in special order custom color and back cover in Mendocino

PAVERS | WALLS | OUTDOOR LIVING KITS

355 Greg Street  
Sparks, NV 89431  
775-358-1200

[www.basalite.com](http://www.basalite.com)

ALBERTA • BRITISH COLUMBIA • CALIFORNIA • COLORADO • IDAHO • NEVADA • OREGON • WASHINGTON • WYOMING

©2017 Basalite® Concrete Products, LLC. All trademarks ® are registered trademarks. BA064\_NV 1800 5/17/2017

Find Or Follow Us On



Great Hardscapes Start Here®

# San Francisco Cobblestone

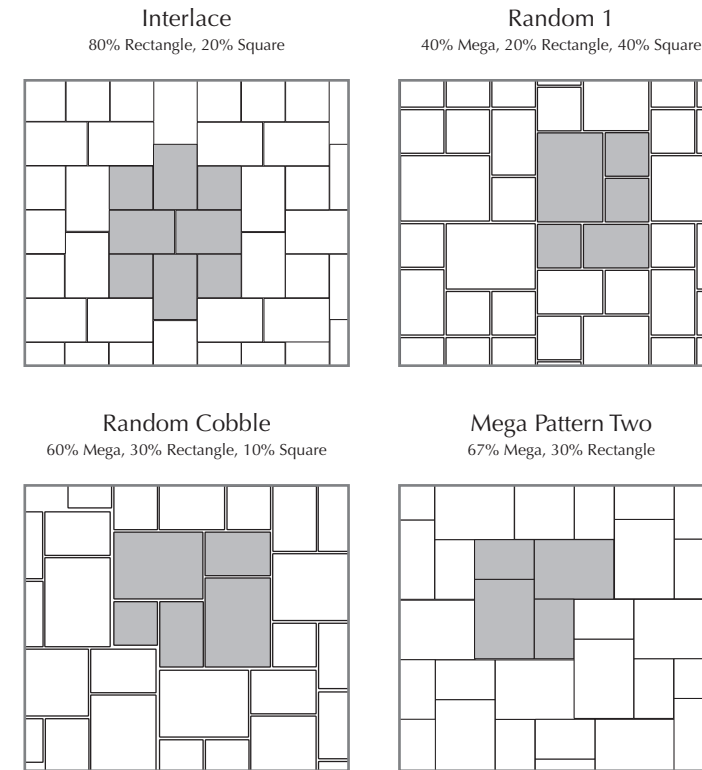
## INTERLOCKING PAVING STONES

For designs that require more formal styling, this paver offers the traditional look and feel of centuries-old cobbled block. Don't forget to include complementary walls and stairs to complete your hardscape.

San Francisco Cobblestone Pavers in Positano

### PATTERNS

To see additional San Francisco Cobblestone patterns please visit [basalite.com](http://basalite.com).

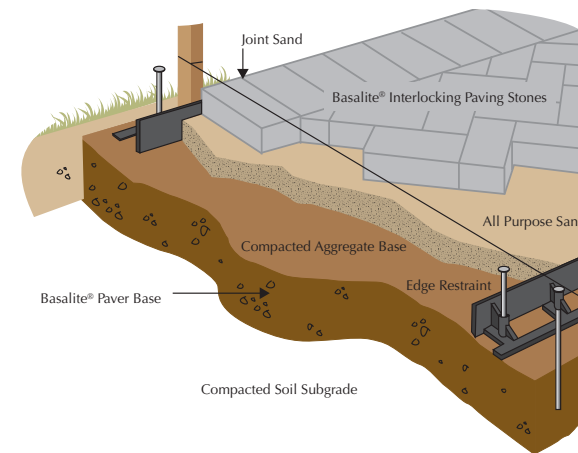


### STOCK COLORS

Custom colors are available by special order - please contact your local dealer.



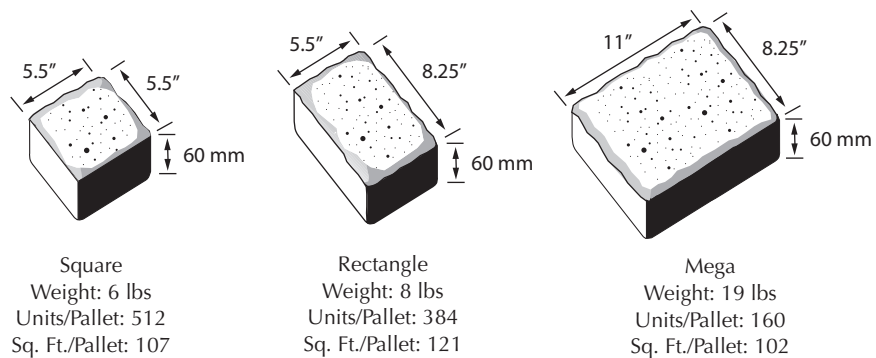
### PAVER INSTALLATION\*



1. Excavate unsuitable, unstable or unconsolidated subgrade material and compact the area which has been cleared. Backfill and level with dense graded aggregate suitable for base material (typically 3" - 6" for pedestrian/light vehicular traffic and 8" - 10" for driveway applications), or as otherwise directed by site engineer/architect/landscape architect.
2. Install edge restraint using concrete curb, concrete toe or edging.
3. Place bedding course of sharp, normal-weight screening or concrete sand to a uniform depth of approximately 1" leveled to grade.
4. Install Basalite Pavers hand tight with joints approximately 1/8". Where required, cut stones with an approved cutter to fit accurately.
5. Tamp pavers with mechanical vibrator, uniformly level true to grade and free of movement.
6. Fill voids in joints by sweeping dry, fine, sharp sand over pavers.

\*The installation instructions and illustrations shown are a basic overview of the paver installation methods. Because installation methods vary per product, please refer to the Basalite product specific installation guide, the Standard ICPI installation method, ICPI.org or visit [www.basalite.com](http://www.basalite.com).

### SPECIFICATIONS



Printed colors shown in this brochure may vary from actual product colors. We recommend selecting colors from actual product samples.