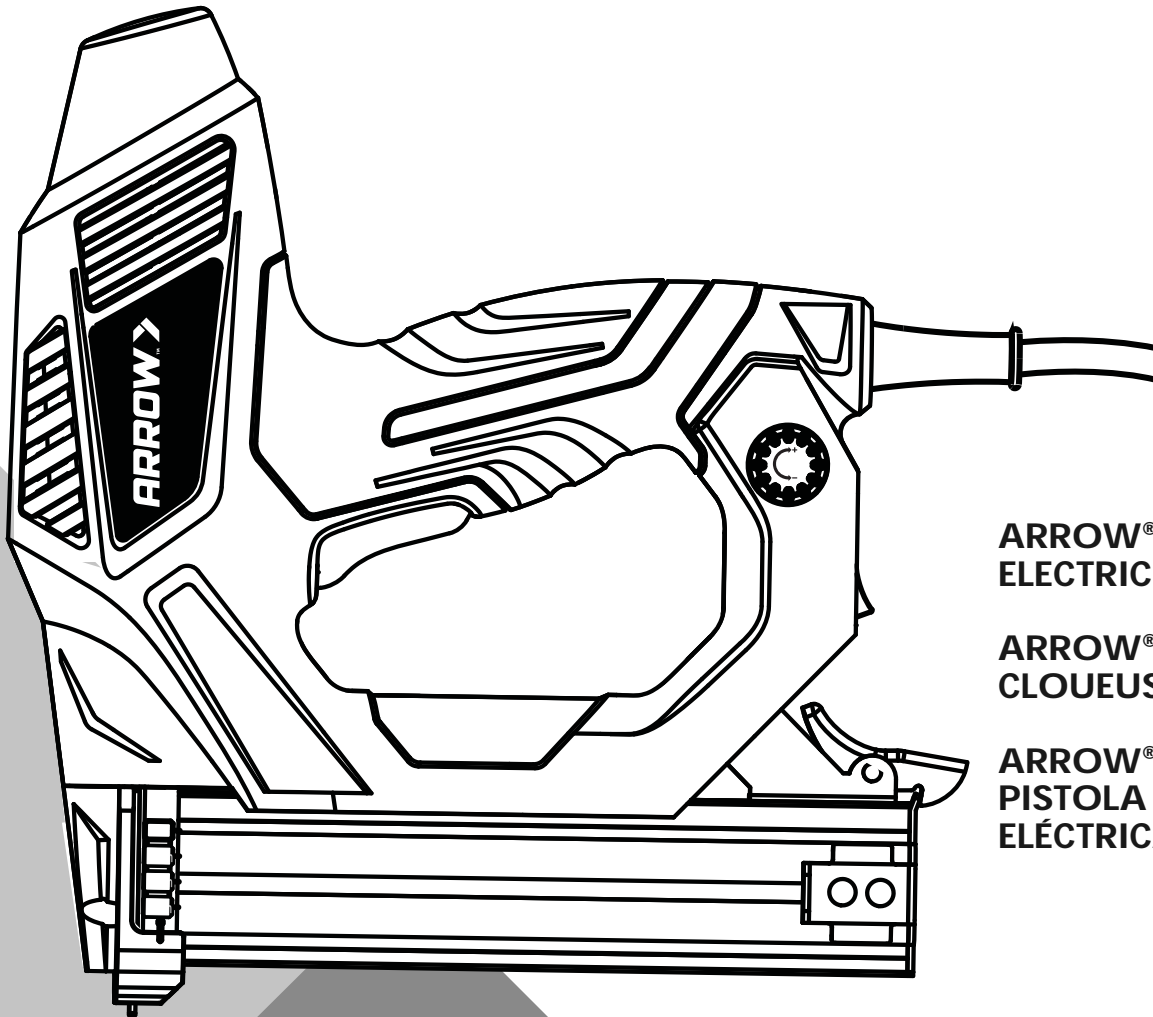


ARROW

ET200BN™

HOW IT ALL COMES TOGETHER



**ARROW® ET200BN™
ELECTRIC BRAD NAIL GUN**

**ARROW® ET200BN™
CLOUEUSE ÉLECTRIQUE À BRAD**

**ARROW® ET200BN™
PISTOLA DE CLAVOS BRAD
ELÉCTRICA**

English:

General power tool safety warnings..... 3
 Specific warnings & safety rules..... 4
 Definition of symbols used on tool & functional
 description..... 5
 Assembly & operation..... 6-8
 Tool maintenance & accessories..... 9
 Warranty..... 10

Français

Avertissements généraux pour les outils électriques..... 11
 Avertissements spécifiques & règles de sécurité 12
 Définition des symboles de la description de
 l'outil et de la fonctionnement..... 13
 Montage et utilisation..... 14-16
 Entretien d'outil et accessoires..... 17
 Garantie..... 18

Español

Advertencias generales para herramientas eléctricas.... 19
 Advertencias específicas y normas de seguridad..... 20
 Definición de símbolos usados en las descripciones
 funcional y de herramienta..... 21
 Montaje y funcionamiento..... 22-24
 Mantenimiento de la herramienta & accesorios..... 25
 Garantía..... 26



Class II Tool
 Herramienta Clase II
 Outil Classe II



Always wear safety glasses when operating the tool.
 Toujours porter des lunettes de sécurité en utilisant l'outil.
 Siempre use gafas protectoras cuando utilice esta herramienta.



To avoid injury and misuse, please read the instruction manual before operation.
 Pour éviter tout risque de blessures et une mauvaise utilisation, prière de lire le manuel d'utilisation avant l'utilisation.
 A fin de evitar lesiones y mal uso, lea el manual de instrucciones antes de usar la herramienta.



Obey all safety messages that follow this symbol to avoid possible injury or death.

Respecter tous les messages de sécurité suivant ce symbole pour éviter tout risque de blessures ou de décès.

Observe todos los mensajes de seguridad que aparecen junto a este símbolo para evitar posibles lesiones o la muerte.



To avoid loss of hearing, always wear ear protection when operating the tool.

Pour éviter tout risque de perte auditive, toujours porter des protecteurs d'oreilles en utilisant l'outil.

A fin de evitar pérdida de la audición, siempre use protección para los oídos cuando utilice esta herramienta.

⚠ WARNING! Read all safety warnings and all instructions. Failure to follow the warnings and instructions may result in electric shock, fire and/or serious injury. Save all warnings and instructions for future reference.

The term “power tool” in the warnings refers to your mains-operated (corded) power tool.

1. WORK AREA SAFETY

- a) **Keep work area clean and well lit.** Cluttered or dark areas invite accidents.
- b) **Do not operate power tools in explosive atmosphere, such as in the presence of flammable liquids, gases or dust.** Power tools create sparks, which may ignite the dust or fumes.
- c) **Keep children and bystanders away while operating a power tool.** Distractions can cause you to lose control.

2. ELECTRICAL SAFETY

- a) **Power tool plugs must match the outlet. Never modify the plug in any way. Do not use any adapter plugs with earthed (grounded) power tools.** Modifying plug and failure to use proper outlet increases risk of electrical shock.
- b) **Avoid body contact with earthed or grounded surfaces such as pipes, radiators, ranges and refrigerators.** There is an increased risk of electric shock if your body is earthed or grounded.
- c) **Do not expose power tools to rain or wet conditions.** Getting a power tool wet will increase the risk of electric shock.
- d) **Keep cord intact. Do not abuse cord. Never use the cord for carrying, pulling or unplugging the power tool. Keep cord away from heat, oil, sharp edges or moving parts.** Damaged or entangled cords increase the risk of electric shock.
- e) **When operating a power tool outdoors, use an extension cord suitable for outdoor use.** Use of a cord suitable for outdoor use reduces the risk of electric shock.
- f) **If operating a power tool in a damp location is unavoidable, use a residual current device (RCD) protected supply.** Use of an RCD reduces the risk of electric shock.

3. PERSONAL SAFETY

- a) **Stay alert, watch what you are doing and use common sense when operating a power tool. Do not use a power tool while you are tired or under the influence of drugs, alcohol or medication.** A moment of inattention while operating power tools may result in serious personal injury.
- b) **Use personal protective equipment. Always wear eye and ear protection.** Protective equipment such as dust masks, non-skid safety shoes, hard hats, or hearing protection used for appropriate conditions will reduce the risk of personal injuries.
- c) **Prevent unintentional starting. Ensure the switch is in the off-position before connecting to the power source and/or battery pack, picking up or carrying the tool.** Carrying power tools with your finger on the switch or energizing power tools that have the switch on invites accidents.

- d) **Remove any adjusting key or wrench before turning the power tool on.** A wrench or a key left attached to a rotating part of the power tool may result in personal injury.
- e) **Do not overreach. Keep proper footing and balance at all times.** This enables better control of the power tool in unexpected situations.
- f) **Dress properly. Do not wear loose clothing or jewelry. Keep your hair, clothing and gloves away from moving parts.** Loose clothes, jewelry or long hair can be caught in moving parts.
- g) **If devices are provided for the collection of dust, ensure these are connected and properly used.** Use of these devices can reduce dust-related hazards.

4. POWER TOOL USE AND CARE

- a) **Do not force the power tool. Use the correct power tool for your application.** The correct power tool will do the job better and safer at the rate for which it was designed.
- b) **Do not use the power tool if the switch does not turn it on and off.** Any power tool that cannot be controlled with the switch is dangerous and must be repaired.
- c) **Disconnect the plug from the power source before making any adjustments, changing accessories, or storing power tools.** Such preventive safety measures reduce the risk of starting the power tool accidentally.
- d) **Store idle power tools out of the reach of children and do not allow persons unfamiliar with the power tool or these instructions to operate the power tool.** Power tools are dangerous in the hands of untrained users.
- e) **Maintain power tools. Check for misalignment or binding of moving parts, breakage of parts and any other condition that may affect the power tools operation. If damaged, have the power tool repaired before use.** Many accidents are caused by poorly maintained power tools.
- f) **Keep cutting tools sharp and clean.** Properly maintained cutting tools with sharp cutting edges are less likely to bind and are easier to control.
- g) **Use the power tool, accessories and tool bits etc., in accordance with these instructions, taking into account the working conditions and the work to be performed.** Use of the power tool for operations different from those intended by the manufacturer could result in a hazardous situation.

5. MAINTENANCE

- a) **Have your power tool serviced by a qualified repair person using only identical replacement parts.** This will help ensure that the safety of the power tool is maintained.

TOOL SAFETY WARNINGS

- **Always assume that the tool contains fasteners.** Careless handling of the tacker can result in unexpected firing of fasteners and personal injury.
- **Do not point the tool towards yourself or anyone nearby.** Unexpected triggering will discharge the fastener causing an injury.
- **Do not actuate the tool unless the tool is placed firmly against the workpiece.** If the tool is not in contact with the workpiece, the fastener may be deflected away from your target.
- **Disconnect the tool from the power source if the fastener jams in the tool.** While removing a jammed fastener, the tacker may be accidentally activated if it is plugged in.
- **Use caution while removing a jammed fastener.** The mechanism may be under compression and the fastener may be forcefully discharged while attempting to free a jammed condition.
- **Do not use this nailer for fastening electrical cables.** It is not designed for electric cable installation and may damage the insulation of electric cables, thereby causing electric shock or fire hazards.

ADDITIONAL SAFETY RULES


- 1. Hold tool by insulated gripping surfaces when performing an operation where the nailing tool may contact hidden wiring or its own cord.** Contact with a “live” wire will also make exposed metal parts of the tool “live” and shock the operator.
- 2. Know your power tool.** Read operator’s manual carefully. Learn its applications and limitations, as well as the specific potential hazards related to this tool. Following this rule will reduce the risk of electric shock, fire, or serious injury.
- 3. Always wear safety glasses with side shields.** Everyday glasses have only impact resistant lenses. They are NOT safety glasses. Following this rule will reduce the risk of eye injury.
- 4. Protect your lungs. Wear a face or dust mask if the operation is dusty.** Following this rule will reduce the risk of serious personal injury.
- 5. Protect your hearing.** Wear hearing protection during extended periods of operation. Following this rule will reduce the risk of serious personal injury.
- 6. Do not attempt to alter the tool.** Any unauthorized alteration and/or use of unauthorized replacement parts is misuse, which could result in a hazardous condition causing possible serious personal injury. Unauthorized parts and/or tool modification automatically voids warranty.
- 7. Use only original Arrow® replacement parts.**
- 8. The tool should always be supplied via a residual current device with a rated residual current of 20 mA or less.**

SAFETY INSTRUCTIONS FOR BRAD NAILERS

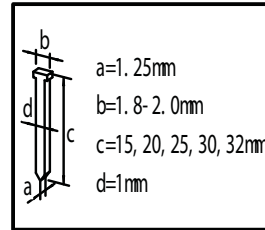
- **Secure the workpiece** (a workpiece clamped with clamping devices or in a vice is held more securely than by hand)
- **Never push in the nailer contact tip manually** (there is danger of injury when at the same time the trigger is activated unintentionally)
- Avoid damage that can be caused by screws, nails and other elements in your workpiece; remove them before you start working
- Always check that the supply voltage is the same as the voltage indicated on the nameplate of the tacker
- In case of electrical or mechanical malfunction, immediately switch off the tool
- Arrow can assure flawless functioning of the tool only when original accessories are used
- This tool should not be used by people under the age of 16 years
- At 20 shots/min, the ET200BNTM brad nailer should be allowed to cool down after 30 minutes as it is only rated for short-time duty.

DEFINITION OF SYMBOLS USED ON TOOL & FUNCTIONAL DESCRIPTION

FUNCTIONAL DESCRIPTION

- V** Volts
- A** Amperes
- Hz** Hertz
-  Alternating Current

TECHNICAL SPECS



120V ~6.5A 60Hz	MAX 100	20/min
6.5 ft. 2 mtrs	3.7 lbs. 1.66Kg	

TOOL ELEMENTS

- A. Lever for opening magazine
- B. Slider
- C. Magazine
- D. Nailer head
- E. Soft grip handle
- F. Trigger
- G. Depth control adjustment knob
- H. On/off switch
- I. Contact tip



Class II Tool



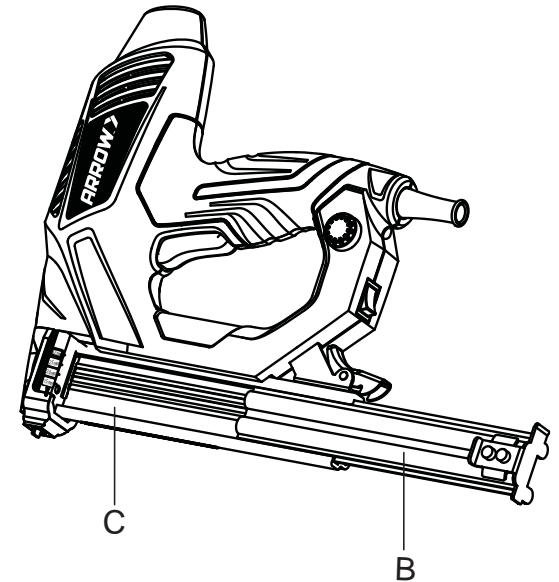
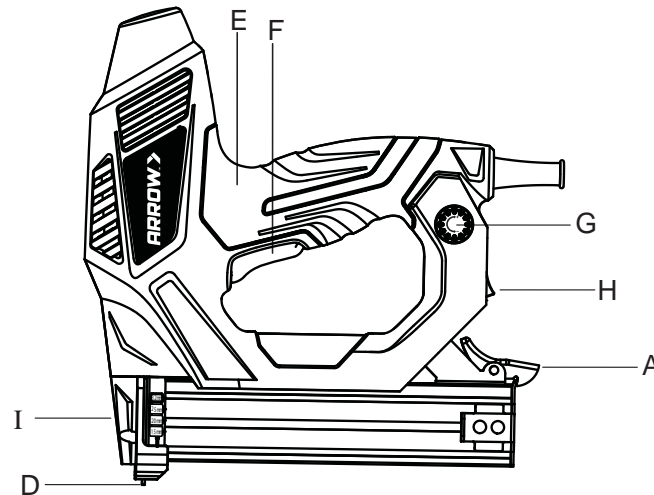
Always wear safety glasses when operating the tool.



Obey all safety messages that follow this symbol to avoid possible injury or death.



To avoid loss of hearing, always wear ear protection when operating the tool.



ASSEMBLY

1. **MAKE SURE YOU HAVE READ ALL SAFETY INSTRUCTIONS.**
2. This tool comes completely assembled. There is no assembly required.

LOADING NAILS

- Disconnect the tool from the power source when loading brad nails
- Tilt the tool or lay the tool flat, so the nails will not drop out while loading
- Press lever (A) while pulling slider (B) backwards
- Place the nail strip into magazine (C) (maximum capacity 100 nails)

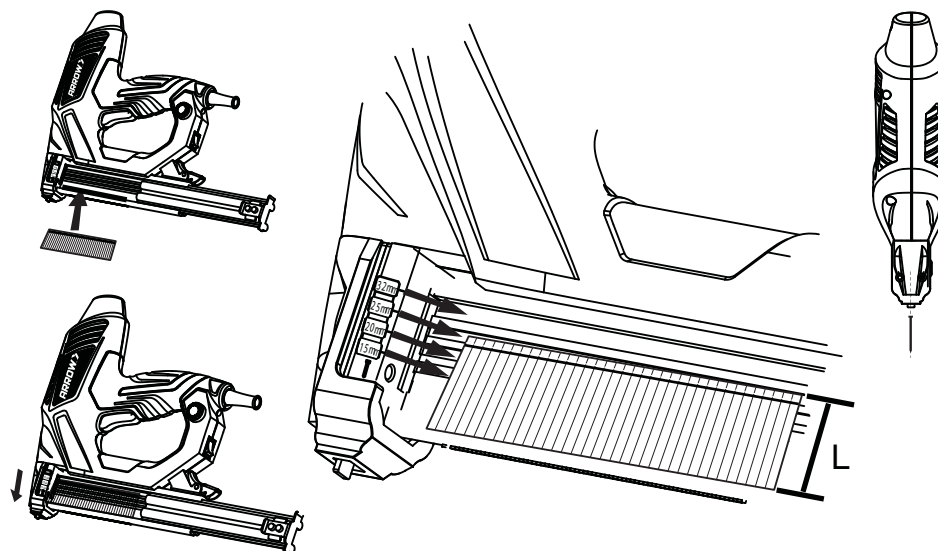
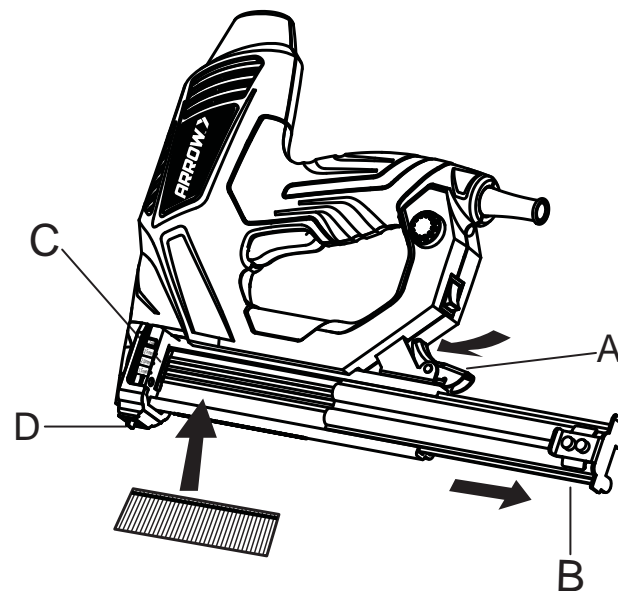
OPERATION

TO OPERATE THE TOOL

First position the contact tip on the work surface without pulling the trigger. Depress the contact tip until the nose touches the work surface and then pull the trigger to drive a nail.

ATTENTION!

- Make sure that the nail strip is loaded with the tapered end aligning with the bottom line of the magazine (C), so the brad nail heads rest into the groove which corresponds with the symbol of nail length on nailer head (D)
- Push slider (B) towards nailer head (D) until it snaplocks

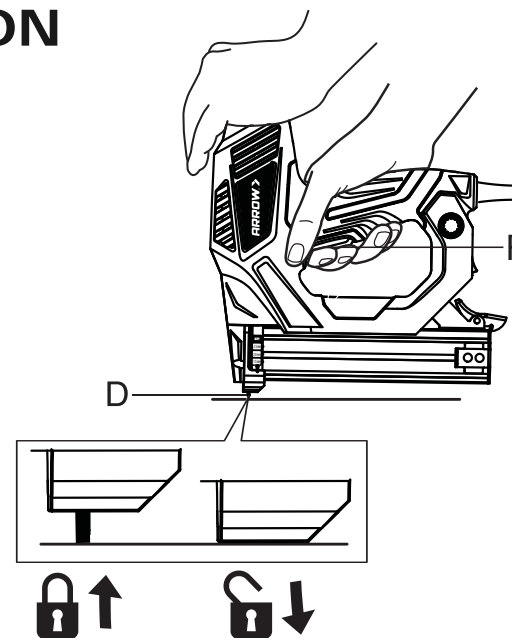


OPERATING YOUR TOOL

To fire your tool, firmly press tacker head (D) against the workpiece depressing the contact safety on the front of the tool a few millimeters. Once the contact safety is depressed, briefly push the trigger (F) to fire your brad nail and then release again. Trigger (F) is locked as long as you do not press tacker head (D) against the workpiece, thus preventing accidental operation. You must pick up the front of the tool and reactivate the contact safety for each shot.

⚠ REMOVE ALL NAILS FROM MAGAZINE AFTER EACH USE

- Firmly press nailer head (D) against the workpiece until the contact tip is depressed.
- Briefly press trigger (F) and then release again
- Trigger (F) is locked as long as you do not press nailer head (D) against the workpiece, thus preventing accidental operation



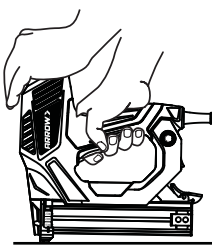
HOW TO DETERMINE PROPER BRAD NAIL SIZE

In choosing the proper nail length for a job, there are two basic things to consider:

1. Thickness of material to be nailed.
2. Hardness of the wood. As a general rule, in hardwood, approximately 5/8" to 1" penetration into the wood is sufficient... and for softwood – up to approximately 1-1/4" should be sufficient. However, if the brad nail used “stands away” from the work – this means that too long a leg length has been used. In that case, we recommend the next shorter leg length for desired results.

NAIL INSTRUCTIONS FOR BRAD NAILERS

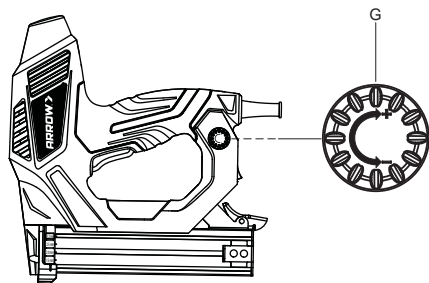
- Roughly, the hardness of wood is divided into 3 levels:
 - High
 - Medium
 - Low
- Nails of different length are applicable for different wood hardness
- The tool has a recoil when firing, so two hands operation is suggested, to have a better control of the operation

NO.	WOOD	WOOD HARDNESS	LENGTH OF NAIL	HAND OPERATION
1	BEECH WOOD	HIGH	5/8", 3/4", 1"	 TWO HANDS OPERATION (SEE PICTURE). ONE HAND OPERATION IS NOT SUGGESTED.
2	OAK		5/8", 3/4", 1"	
3	MEDIUM DENSITY FIBERBOARD	MEDIUM	5/8", 3/4", 1"	
4	SOLID WOOD		5/8", 3/4", 1", 1-1/4"	
5	PINE	LOW	5/8", 3/4", 1", 1-1/4"	
6	PLYWOOD		5/8", 3/4", 1", 1-1/4"	
7	CEDAR		5/8", 3/4", 1", 1-1/4"	

DEPTH CONTROL

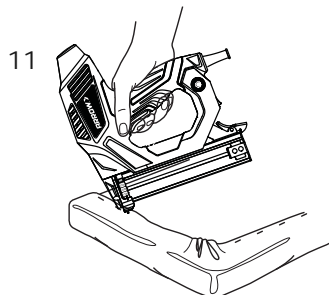
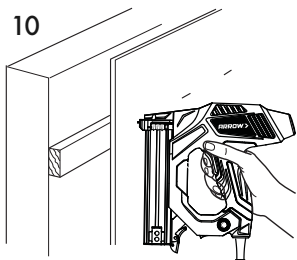
With knob (G) the required depth level can be adjusted

- Indicator (G) shows the selected depth level
- “-” for thin and light materials
- “+” for thick and tough materials such as hard woods and walls
- Before starting a job, find the optimal depth level by testing out on spare material



APPLICATION ADVICE

- Fastening panels (10)
- Do not use the tool for fastening ceiling paneling on profiled wood or grooves
- Fixing textiles (11)
- Avoid blank shots in order to reduce the wear of the impact strike



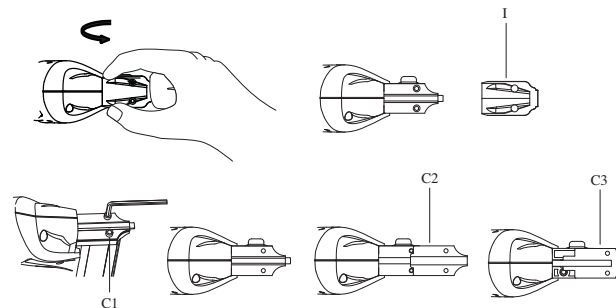
UNBLOCKING JAMMED FASTENERS

⚠ UNPLUG POWER CORD FROM POWER SOURCE BEFORE REMOVING NAILS.

In the unlikely event that nails become jammed, follow these instructions to remove them:

- Remove the nose tip (I)
- Remove the plate retaining bolts (C1)
- Remove the safety mechanism retaining plate (C2)
- Remove the firing pin retaining plate (C3)

⚠ NOTE THE LOCATION AS WELL AS THE ORDER IN WHICH PARTS ARE REMOVED FROM THE BRAD NAILER, THIS WILL MAKE IT EASIER TO REBUILD IT. FOLLOW ALL SAFETY WARNINGS WHEN TESTING THE TOOL AFTER REBUILDING IT TO HELP ENSURE IT WAS PROPERLY REASSEMBLED.



⚠ ATTENTION

Make sure that the nail strip is loaded with the tapered end aligning with the bottom line of the magazine (C), so the brad nail head rest right into the grooves which corresponds with the symbol of nail length on brad nailer head (D).

On very hard surfaces, firing recoil may interfere with nail penetration. Enhance driving power by firmly placing one hand on top of cap.




TOOLS MAINTENANCE & ACCESSORIES

TOOL MAINTENANCE

Your brad nail gun is virtually maintenance free. Keep tool clean and free of dust. Wipe clean with a dry cloth; do not use harsh chemicals to clean your brad nail gun. Your brad nail gun contains no user serviceable parts. In the unlikely event that your brad nail gun should need service contact:

Arrow Fastener Co., LLC
271 Mayhill Street
Saddle Brook, N.J. 07663
Tel. 201 843-6900

ET200BN™ for 120V Use 14 gauge extension cord
 E216890

ACCESSORIES


A WORD ABOUT ARROW® BRAD NAILS

Only Arrow knows the proper brad nail tolerances required for best performance of the ET200BN™ Electric Brad Nail Gun. Only genuine Arrow 18 Gauge brad nails are made to these exact tolerances to help ensure top fastening performance. Accept no substitutes. Always insist on genuine Arrow brad nails.

Genuine Arrow brad nails are available at retail outlets, hardware stores, lumberyards and wherever fine tools are sold.

EXTENSION CORDS

Replace or repair damaged cords.
For extension cord use 14 gauge wire.

		
BN1810™	5/8"	15 mm
BN1812™	3/4"	20mm
BN1816™	1"	25 mm
BN1820™	1-1/4"	32mm



2 YEAR LIMITED WARRANTY

All parts of Arrow Fastener products containing electrical or electronic components or parts (other than batteries) are warranted to the original purchaser to be free from defects in material and workmanship for two years from the date of purchase.

Arrow Fastener will repair or replace, FREE OF CHARGE, during the warranty period, any product that proves to be defective in material or workmanship under normal use. If repair is not practical, Arrow Fastener may elect to replace the product or refund the purchase price in exchange for return of the defective product. For best performance, use genuine Arrow® nails. Please contact Arrow Fastener by calling 1-800-776-2228 or by writing:

Arrow Fastener Company, LLC
271 Mayhill Street
Saddle Brook, NJ 07663
Attn: Product Warranty Department.

Labor charges incurred by the original purchaser to repair the product are excluded. This limited warranty does not cover damage to the product relating to normal wear and tear, misuse, abuse or neglect. No warranty is provided for the batteries.

Proof of purchase from the original purchaser must be made available to Arrow Fastener for all warranty claims. This is the exclusive warranty by Arrow Fastener Company for its products containing electrical or electronic components or parts (other than batteries).

Implied Warranties. TO THE EXTENT PERMITTED BY LAW, ANY IMPLIED WARRANTY, INCLUDING ANY WARRANTY OF MERCHANTABILITY OR FITNESS FOR A PARTICULAR PURPOSE, IS LIMITED TO THE SAME DURATION AS THE APPLICABLE EXPRESS WARRANTY. Some states do not allow limitations on how long an implied warranty lasts, so the above limitation may not apply to you.

Limitation of Liability. Arrow Fastener SHALL NOT BE RESPONSIBLE FOR SPECIAL, INCIDENTAL OR CONSEQUENTIAL DAMAGES WHETHER ARISING OUT OF BREACH OF WARRANTY, BREACH OF CONTRACT, TORT, OR OTHERWISE. Some states do not allow the exclusion of incidental or consequential damages, so the above exclusion and limitation may not apply to you.

This limited warranty gives you specific legal rights, and you also may have other rights, which vary from state to state. In Canada, the above provisions are not intended to operate where prohibited by law and do not preclude the operation of any applicable provincial protection statute which may in certain circumstances extend the express warranty herein.

AVERTISSEMENTS GÉNÉRAUX POUR LES OUTILS ÉLECTRIQUES

⚠ AVERTISSEMENT Lire tous les avertissements de sécurité et toutes les instructions. Le non-respect des avertissements et des instructions pourrait entraîner un choc électrique, un incendie et/ou des blessures graves. **Conserver tous les avertissements et toutes les instructions pour consultation ultérieure.**

Le terme « outil électrique » dans les avertissements désigne un outil électrique fonctionnant sur secteur (filaire) ou un outil électrique fonctionnant sur batterie (sans fil).

1. SÉCURITÉ DU LIEU DE TRAVAIL

- a) **Garder le lieu de travail propre et bien éclairé.** Les zones encombrées ou sombres sont susceptibles d'entraîner des accidents.
- b) **Ne pas utiliser d'outils électriques dans des atmosphères explosives, telles que les endroits où se trouvent des liquides, des gaz et de la poussière explosifs.** Les outils électriques créent des étincelles, ce qui peut enflammer la poussière et les vapeurs.
- c) **Garder les enfants et les passants éloignés lors de l'utilisation d'un outil électrique.** Les distractions peuvent entraîner la perte de contrôle de l'outil.

2. SÉCURITÉ ÉLECTRIQUE

- a) **La fiche de l'outil électrique doit être adaptée à la prise. Ne jamais modifier la fiche de quelque façon que ce soit. Ne pas utiliser des fiches d'adaptation avec des outils électriques reliés ou mis à la terre.** L'utilisation de fiches non modifiées et de prises correspondantes réduira le risque de choc électrique.
- b) **Éviter tout contact du corps avec les surfaces reliés ou mis à la terre, telles que les tuyaux, les radiateurs, les cuisinières et les réfrigérateurs.** Il y a un risque accru de choc électrique si le corps est relié ou mis à la terre.
- c) **Ne pas exposer les outils électriques à la pluie ou à des conditions humides.** Toute infiltration d'eau dans l'outil électrique augmentera le risque de choc électrique.
- d) **Éviter tout usage abusif du cordon. Ne jamais utiliser le cordon pour transporter, tirer ou débrancher l'outil électrique. Garder le cordon à l'écart de la chaleur, de l'huile, des bords tranchants et des pièces mobiles.** Les cordons endommagés ou enchevêtrés augmenteront le risque de choc électrique.
- e) **En utilisant un outil électrique à l'extérieur, utiliser une rallonge électrique adéquate pour une utilisation à l'extérieur.** L'utilisation d'un cordon convenant à une utilisation à l'extérieur réduit le risque de choc électrique.
- f) **Si l'utilisation d'un outil électrique dans un endroit humide ne peut pas être évitée, utiliser une source d'alimentation protégée par un dispositif différentiel résiduel (DDR).** L'utilisation d'un DDR réduit le risque de choc électrique.

3. SÉCURITÉ PERSONNELLE

- a) **Rester vigilant, se montrer attentif et faire preuve de bon sens en utilisant un outil électrique. Ne pas utiliser un outil électrique lorsqu'on est fatigué ou sous l'influence de drogues, d'alcool ou de médicaments.** Un moment d'inattention en utilisant des outils électriques pourrait entraîner des blessures graves.
- b) **Porter de l'équipement de protection individuelle. Toujours porter une protection auditive et oculaire.** L'équipement de protection, tel que les masques antipoussières, les chaussures de sécurité antidérapantes, les casques de sécurité ou les protecteurs d'oreilles utilisés conformément aux conditions réduira le risque de blessures.
- c) **Éviter tout démarrage accidentel. S'assurer que l'interrupteur est en position d'arrêt avant de brancher l'outil ou d'installer la batterie, de**

- ramasser ou de transporter l'outil.** Le transport d'outils électriques avec le doigt sur l'interrupteur ou la mise sous tension d'outils électriques avec l'interrupteur en position de marche sont susceptibles d'entraîner des accidents.
- d) **Enlever toute clé de réglage avant de mettre l'outil en marche.** Une clé laissée sur la pièce rotative de l'outil électrique pourrait entraîner des blessures.
- e) **Ne pas tendre le bras trop loin en utilisant l'outil. Maintenir ses appuis et son équilibre à tout moment.** Il est ainsi possible de mieux contrôler l'outil électrique en cas de situation imprévue.
- f) **Habiller correctement. Ne pas porter de vêtements amples ou de bijoux. Gardez vos cheveux, vêtements et gants éloignés des pièces mobiles.** Les vêtements amples, bijoux et cheveux longs peuvent être pris dans les pièces mobiles.
- g) **Si des dispositifs sont fournis pour des connexions à des systèmes de dépoussiérage et de captage des poussières, il faut s'assurer qu'ils sont bien connectés et bien utilisés.** L'utilisation de ces dispositifs peut réduire les dangers liés à la poussière.

4. UTILISATION ET ENTRETIEN DES OUTILS ÉLECTRIQUES

- a) **Ne pas forcer l'outil électrique. Utiliser l'outil électrique convenant à la tâche.** Utiliser l'outil électrique convenant à la tâche. L'utilisation de l'outil électrique approprié permettra d'exécuter la tâche de façon plus efficace et plus sécuritaire si l'outil est utilisé dans les limites prévues.
- b) **Ne pas utiliser l'outil électrique si l'interrupteur ne permet pas de le mettre en marche ou de l'arrêter.** Tout outil électrique qui ne peut pas être contrôlé par l'interrupteur est dangereux et doit être réparé.
- c) **Débrancher l'outil électrique ou retirer la batterie avant d'effectuer tout réglage, de changer les accessoires ou de ranger l'outil.** Ces mesures de sécurité préventives réduisent le risque d'un démarrage accidentel de l'outil électrique.
- d) **Ranger les outils électriques non utilisés hors de la portée des enfants et ne pas permettre aux personnes non familiarisées avec l'outil électrique ou ces instructions d'utiliser l'outil électrique.** Les outils électriques sont dangereux dans les mains de personnes n'ayant pas reçu une formation appropriée.
- e) **Entretien des outils électriques. Vérifier qu'aucune pièce mobile n'est mal alignée ou bloquée et qu'aucune pièce n'est brisée. S'assurer qu'aucun autre problème ne risque d'affecter le bon fonctionnement de l'outil électrique. En cas de dommages, faire réparer l'outil avant de l'utiliser de nouveau.** Beaucoup d'accidents sont causés par des outils électriques mal entretenus.
- f) **Garder les outils coupants bien affûtés et propres.** Les outils coupants bien entretenus avec des bords tranchants affûtés sont moins susceptibles de se bloquer et sont plus faciles à contrôler.
- g) **Utiliser l'outil électrique, les accessoires, etc. conformément à ces instructions et à l'application à laquelle l'outil est destiné en tenant compte des conditions et du type de travail à exécuter.** L'utilisation de l'outil électrique pour une application à laquelle il n'est pas destiné peut être dangereuse.

5. ENTRETIEN

- a) **Faites réparer votre outil électrique par un réparateur qualifié utilisant des pièces de rechange identiques.** Cela aidera à assurer que la sécurité de l'outil de puissance est maintenue.

AVERTISSEMENTS DE SÉCURITÉ POUR L'OUTIL

- **Toujours supposer que l'outil contient des pièces de fixation, que ce soit des clous ou des agrafes.** Une manutention négligente de l'outil peut entraîner le tir accidentel d'une pièce de fixation et des blessures.
- **Ne pas pointer l'outil vers soi-même ou vers toute personne à proximité.** Un déclenchement accidentel provoquera le tir d'une pièce de fixation pouvant entraîner des blessures.
- **Ne pas actionner l'outil à moins qu'il soit bien placé contre la pièce de travail.** Si l'outil n'est pas en contact avec la pièce de travail, la pièce de fixation pourrait dévier de sa cible.
- **Déconnecter l'outil de son alimentation lorsque la pièce de fixation se bloque dans l'outil.** En retirant une pièce de fixation bloquée, l'outil pourrait être activé accidentellement s'il est branché ou connecté à sa batterie.
- **Faire attention en retirant une pièce de fixation bloquée.** Le mécanisme pourrait être sous compression et la pièce de fixation pourrait être expulsée avec force en essayant de la débloquer.
- **Ne pas utiliser cet outil pour fixer des câbles électriques.** Il n'est pas conçu pour l'installation de câbles électriques et pourrait endommager l'isolant des câbles électriques, provoquant ainsi un risque de choc électrique ou d'incendie.


RÈGLES DE SÉCURITÉ SUPPLÉMENTAIRES

- 1. Tenir l'outil par ses surfaces de prise isolées lors d'une application où l'outil pourrait entrer en contact avec un câble électrique ou son propre cordon.** Le contact avec un câble sous tension mettra aussi les pièces métalliques exposées de l'outil sous tension et fera subir un choc électrique à l'utilisateur.
- 2. Se familiariser avec l'outil électrique.** Lire le manuel d'utilisateur attentivement. Apprendre les applications et les limitations de l'outil, ainsi que les dangers potentiels spécifiques liés à cet outil. Le respect de cette consigne réduira le risque de choc électrique, d'incendie ou de blessures graves.
- 3. Toujours porter des lunettes de sécurité dotées d'écrans latéraux.** Les lunettes de tous les jours offrent seulement des verres résistants aux impacts et ne constituent PAS des lunettes de sécurité. Le respect de cette consigne réduira le risque de blessures à l'oeil.
- 4. Protéger les poumons. Porter un masque facial ou antipoussières dans des conditions poussiéreuses.** Le respect de cette consigne réduira le risque de blessures graves.
- 5. Protéger l'ouïe.** Porter des protecteurs d'oreilles lors d'une utilisation prolongée. Le respect de cette consigne réduira le risque de blessures graves.
- 6. Ne pas tenter de modifier l'outil.** Toute modification non autorisée et/ou utilisation de pièces de remplacement non autorisées constituent une mauvaise utilisation, ce qui pourrait être dangereux et entraîner des blessures graves. Les pièces et/ou les modifications à l'outil non autorisées annulent automatiquement la garantie.
- 7. Utiliser seulement les pièces ARROW® d'origine.**
- 8. L'outil doit toujours être alimenté par le biais d'un dispositif différentiel résiduel avec un courant résiduel homologué de 20 mA ou moins.**

CONSIGNES DE SÉCURITÉ POUR L'OUTIL

- **Immobiliser la pièce à usiner** (utilisez les serres-points, car celui-là est plus sûr que le fixer manuellement).
- **Ne poussez jamais à la pointe de contact de cloueuse manuellement** (il y a risque de blessure lorsque dans le même temps la gâchette est actionnée par inadvertance)
- Éviter les dommages qui peuvent être causés pour des vis, clous ou autres éléments dans la pièce ; retirez-les avant le travail.
- Toujours vérifiez que la tension d'alimentation est la même que celle indiquée sur la plaque signalétique de l'agrafeuse.
- En cas de panne mécanique ou électrique, coupez immédiatement l'alimentation de l'outil.
- Arrow ne peut assurer le fonctionnement parfait de l'outil qu'en cas d'utilisation exclusive des accessoires d'origine.
- Cet outil ne doit pas être utilisé pour des jeunes de moins de 16 ans.
- Au 20 coups par minute, l'outil ET200BNTM devrait être autorisé à se refroidir après 30 minutes comme il est seulement conçu pour un service de courte durée.

DESCRIPTION FONCTIONNELLE

- V** Volts
A Ampères
Hz Hertz
 Courant Alternatif



Outil classe 2



Toujours porter des lunettes de sécurité en utilisant l'outil.

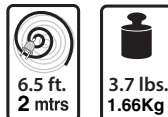
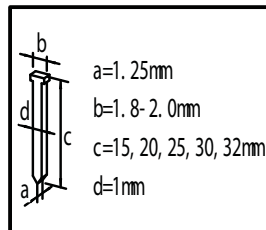


Respecter tous les messages de sécurité suivant ce symbole pour éviter tout risque de blessures ou de décès.



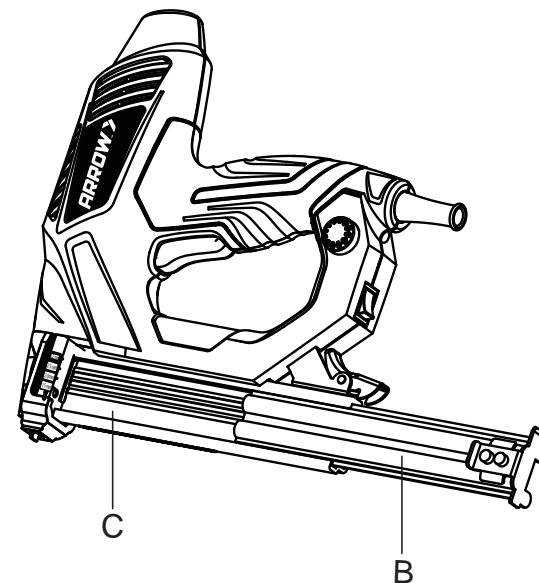
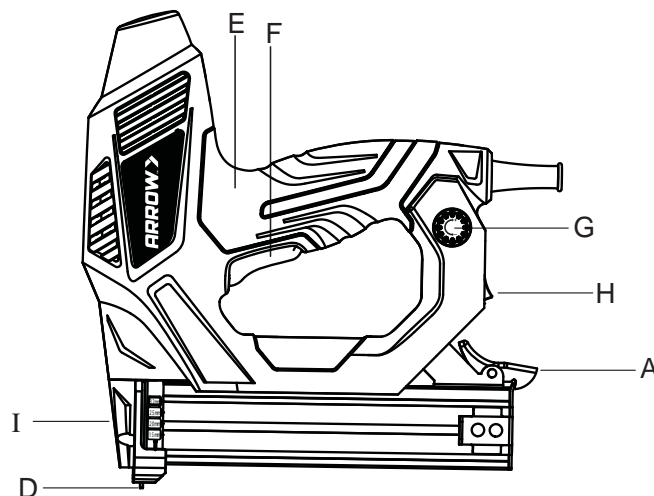
Pour éviter tout risque de perte auditive, toujours porter des protecteurs d'oreilles en utilisant l'outil.

SPÉCIFICATIONS TECHNIQUES



ELEMENTS DE L'OUTIL

- A. Levier pour charger le magasin
- B. Glissière
- C. Magasin
- D. Tête de l'agrafeuse
- E. Prise molle
- F. Gâchette
- G. Bouton de réglage du coup
- H. Interrupteur
- I. Embout anti-marques



MONTAGE

1. **LIRE ATTENTIVEMENT LES CONSIGNES DE SÉCURITÉ ET AVERTISSEMENTS.**
2. L'outil vient complètement assemblé. Aucun assemblage requis.

CHARGEMENT DES CLOUS

- Débrancher l'outil de la source d'alimentation lors du chargement de clous de finition
- Incliner or placer l'outil sur une surface plate, afin que les clous ne tombent pas pendant le chargement
- Appuyer sur le levier (A) en tirant la glissière (B) vers l'arrière
- Placer la bande de clouage dans le magasin (C) (capacité maximale de 100 clous)

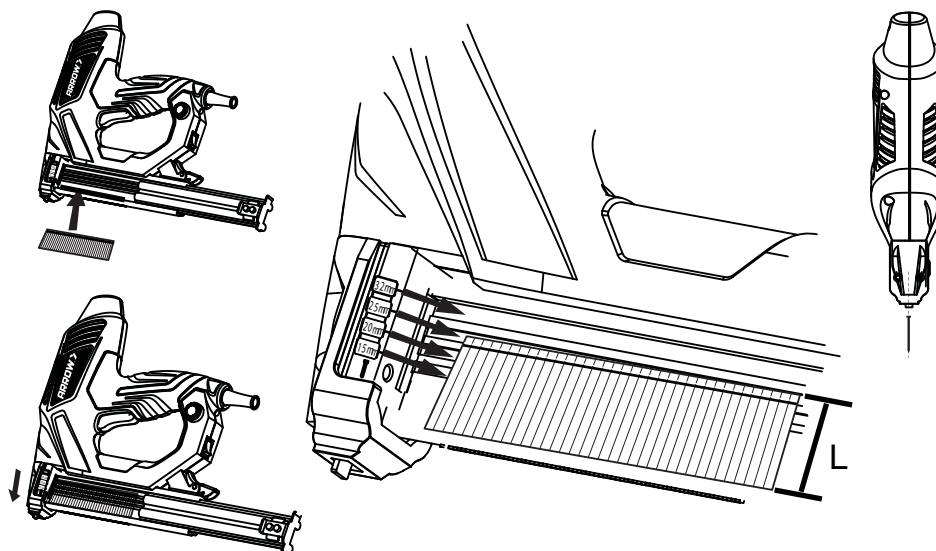
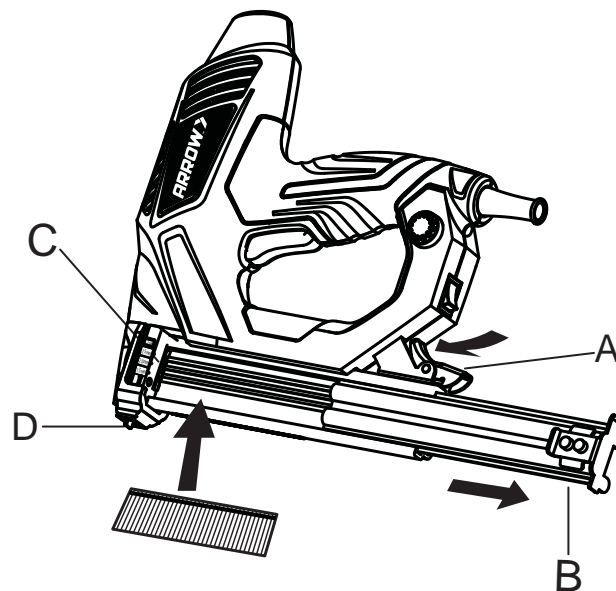
FONCTIONNEMENT

POUR FAIRE FONCTIONNER L'OUTIL

Positionnez d'abord le déclencheur de contact sur la surface de travail, sans appuyer sur la gâchette. Appuyez sur le déclencheur de contact jusqu'à ce que le nez poseur touche à la surface de travail, puis appuyez sur la gâchette pour tirer une attache/un clou.

⚠ ATTENTION !

- Vérifiez que la bande de clouage est chargée avec la partie conique alignant avec la ligne de l'extrémité inférieure du magasin (C), afin que le tête des clous « brad » repose dans les encoches-guides correspondant avec le symbole de la longueur du clou de la tête de l'agrafeuse (D)
- Poussez la glissière (B) contre la tête de l'agrafeuse (D) jusqu'à ce qu'il s'enclenche

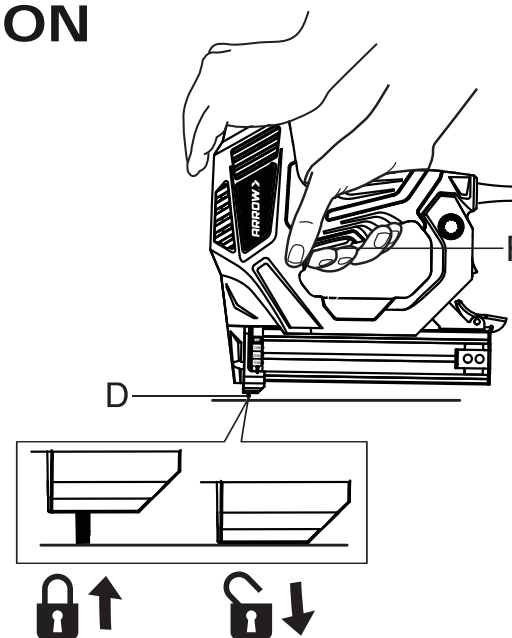


FONCTIONNEMENT DE L'OUTIL

Pour faire fonctionner l'outil, appuyez fermement la tête de l'agrafeuse (D) contre la pièce, appuyant la sécurité de contact à l'avant d'outil de quelques millimètres. Une fois la sécurité de contact est pressée, appuyez brièvement la gâchette (F) pour tirer le clou de finition (clou à tête d'homme), et puis relâchez. La gâchette (F) est verrouillée tant que vous ne pressez pas la tête de l'outil (D) contre la pièce, empêchant un actionnement accidentel. Vous devez ramasser l'avant de l'outil et réactiver la sécurité de contact pour chaque tir.

⚠ RETIREZ TOUS LES CLOUS DU MAGASIN APRÈS CHAQUE USAGE !

- Appuyez fermement la tête de l'agrafeuse (D) contre la pièce jusqu'au enfoncer quelques millimètres
- Appuyez brièvement la gâchette (F) et puis relâchez
- La gâchette (F) est verrouillée tant que vous ne pressez pas la tête de l'outil (D) contre la pièce, empêchant un actionnement accidentel



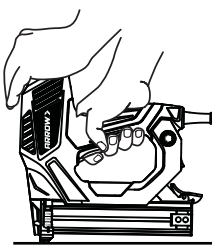
COMMENT DÉTERMINER LA TAILLE APPROPRIÉE DES CLOUS DE FINITION (DE TÊTE HOMME)

Pour choisir la longueur appropriée pour le travail, il y a deux choses fondamentales à considérer :

1. L'épaisseur du matériau pour être cloué
2. La dureté du bois. En règle générale, avec le bois dur, un profondeur de tir d'environ de 16mm à 25mm est suffisant... et pour le bois tendre—jusqu'à 32 mm doit être suffisant. Cependant, si le clou de finition dépasse la surface de la pièce—cela signifie que le clou utilisé est trop long. Dans ce cas, recommandons la prochaine longueur plus courte pour les résultats attendus.

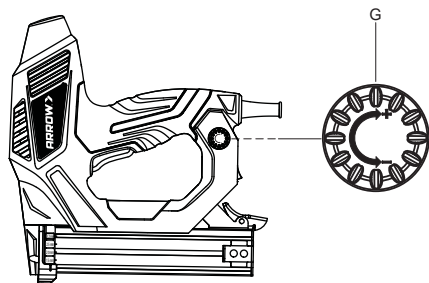
INSTRUCTIONS DES CLOUS POUR L'AGRAFEUSE

- La dureté du bois est divisée approximativement en 3 niveaux :
 - Forte/ élevée
 - Moyenne
 - Faible
- Les clous des longueurs différentes sont applicables pour les degrés différents de dureté du bois
- L'outil a un recul lors d'un tir, donc on vous suggère l'utilisation de l'outil avec les deux mains pour un meilleur contrôle de la fonctionnement.

NO.	BOIS	DURETÉ DU BOIS	LONGUEUR DU CLOU	UTILISATION DE MAIN
1	HÊTRE	ELEVÉE	5/8", 3/4", 1"	 L'UTILISATION AVEC LES DEUX MAINS (VOIR ILLUSTRATION). L'UTILISATION D'UNE SEULE MAIN N'EST PAS CONSEILLÉE.
2	CHÊNE		5/8", 3/4", 1"	
3	PANNEAU DE FIBRE À DENSITÉ MOYENNE	MOYENNE	5/8", 3/4", 1"	
4	BOIS MASSIF		5/8", 3/4", 1", 1-1/4"	
5	PIN	FAIBLE	5/8", 3/4", 1", 1-1/4"	
6	CONTREPLAQUÉ		5/8", 3/4", 1", 1-1/4"	
7	CÈDRE		5/8", 3/4", 1", 1-1/4"	

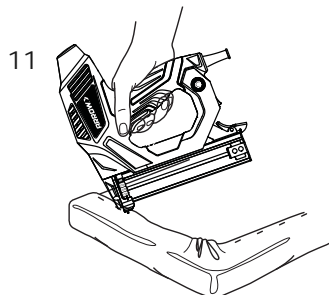
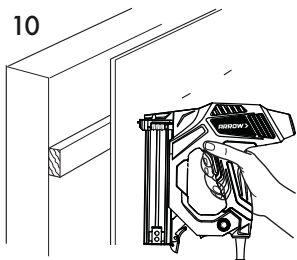
RÉGLAGE DU COUP

- On peut régler le niveau nécessaire d'impact avec le bouton (G)
- L'indicateur (G) révèle le niveau d'impact sélectionné
 - «-» pour les matériaux minces et légers
 - « + » pour les matériaux épais ou robuste tels que les bois durs et les murs
 - Avant de commencer à travail, cherchez le niveau d'impact optimal essayant avec matériel extra



CONSEIL APPLICATIF

- Fixation des panneaux (10)
- Ne pas utiliser este outil pour fixer las panneaux de plafond en bois profilées ou avec rainures
- Fixation des textiles (11)
- Éviter les coups à blanc pour réduire l'usure d'impact



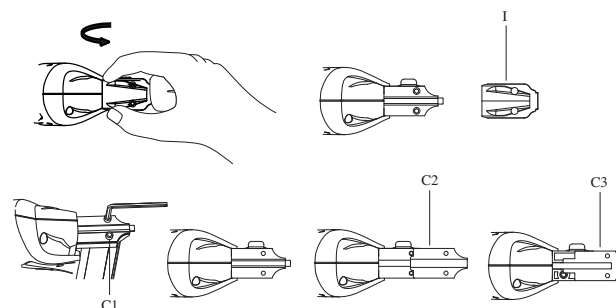
PROCÉDURE POUR LE DÉGAGEMENT DES BLOCAGES

⚠ UNPLUG POWER CORD FROM POWER SOURCE BEFORE REMOVING NAILS.

Dans le cas improbable où les clous restent bloqués, suivez ces instructions pour dégager-les :

- Enlevez la pointe (le nez) (I)
- Enlevez la plaque des vis de fixation (C1)
- Enlevez la plaque de retenue du mécanisme de sécurité (C2)
- Enlevez la plaque de retenue du percuteur (C3)

⚠ NOTEZ L'EMPLACEMENT AINSI, QUE L'ORDRE DANS LEQUEL LES PIÈCES SONT RETIRÉES DE LA CLOUEUSE DE FINITION, CE SERA PLUS FACILE DE LE RECONSTRUIRE. SUIVEZ TOUS LES AVERTISSEMENTS DE SÉCURITÉ LORS DE L'ESSAI DE L'OUTIL APRÈS SA RECONSTRUCTION POUR AIDER À ASSURER QU'IL ÉTAIT BIEN REMONTÉ.



⚠ ATTENTION !


Vérifiez que la bande de clouage est chargée avec la partie conique alignant avec la ligne de l'extrémité inférieure du magasin (C), afin que le tête des clous « brad » repose dans les encoches-guides correspondant avec le symbole de la longueur du clou de la tête de l'agrafeuse (D).

Sur les superficies excessivement dures, le recul du tir pourrait empêcher avec une pénétration plus profonde des agrafes. Atteindrez une puissance d'enfoncement amélioré plaçant une main fermement sur le bouchon.

ENTRETIEN DE L'OUTIL

Votre cloueuse brad est pratiquement sans entretien. Gardez outil propre et exempt de poussière. Essuyer avec un chiffon sec; ne pas utiliser de produits chimiques pour nettoyer votre pistolet à clou Brad. Votre cloueuse brad contient aucune pièce réparable par l'utilisateur. Dans le cas peu probable que votre cloueuse brad devrait besoin de contact de service :

Arrow Fastener Co., LLC
 271 Mayhill Street
 Saddle Brook, N.J. 07663
 Tel. 201 843-6900

<p>ET200BNTM for 120V Utilisez 14 calibre rallonge</p>
<p> US LISTED E216890</p>

ACCESSOIRES

UN MOT SUR LES CLOUS DE FIXATION ARROW

Seulement Arrow sait les tolérances appropriées des clous Brad requises pour une meilleure performance. Seulement les clous calibre 18 authentiquement Arrow sont fait à ces tolérances exactes pour aider à assurer les meilleures performance de fixation. N'acceptez aucun compromis. Exigez toujours des clous Arrow d'origine.

Les clous de finition authentiques Arrow sont disponibles dans les points de vente, les quincailleries, les entrepôts de bois, partout où sont vendus les outils de qualité.

RALLONGES

Remplacez ou réparez les rallonges endommagées. Pour rallonge utiliser le fil de calibre 14.

		
BN1810TM	5/8"	15 mm
BN1812TM	3/4"	20mm
BN1816TM	1"	25mm
BN1820TM	1-1/4"	32mm

GARANTIE LIMITÉE DE 2 ANS

Toutes les pièces des produits Arrow Fastener contenant des pièces ou des composants électriques ou électroniques (à l'exception des batteries) sont garanties à l'acheteur initial contre les défauts de matériaux et de fabrication pendant un an à compter de la date d'achat.

Arrow Fastener réparera ou remplacera, GRATUITEMENT, durant la période de la garantie, tout produit qui s'avère défectueux sur le plan des matériaux ou de la fabrication dans des conditions d'utilisation normale. Si une réparation n'est pas pratique, Arrow Fastener pourrait décider de remplacer le produit ou de rembourser le prix d'achat en échange du retour du produit défectueux. Pour une performance optimale, utiliser des agrafes et des clous de marque Arrow® authentiques.

Prière de communiquer avec Arrow Fastener en composant le 1-800-776-2228 ou par la poste à cette adresse :

Arrow Fastener Company, LLC
271 Mayhill Street
Saddle Brook, NJ 07663
Attn: Product Warranty Department

Les frais de main-d'oeuvre assumés par l'acheteur initial pour réparer le produit sont exclus. Cette garantie limitée ne couvre pas les dommages au produit résultant d'une usure normale, d'une mauvaise utilisation, d'une utilisation abusive ou de négligences. Aucune garantie n'est fournie pour les batteries. La preuve d'achat de l'acheteur initial doit être fournie à Arrow Fastener pour toutes les réclamations de garantie. Il s'agit de la garantie exclusive de Arrow Fastener Company pour ses produits contenant des pièces ou des composants électriques ou électroniques (à l'exception des batteries).

Garanties implicites. DANS LES LIMITES AUTORISÉES PAR LA LOI, TOUTE GARANTIE IMPLICITE, Y COMPRIS LES GARANTIES DE QUALITÉ MARCHANDE OU D'ADAPTATION À UN USAGE PARTICULIER, SE LIMITE À LA DURÉE DE LA PRÉSENTE GARANTIE EXPRESSE. Certains États ne permettent pas de limiter la durée des garanties implicites, de sorte que la limitation susmentionnée peut ne pas s'appliquer à vous.

Limitation de responsabilité. Arrow Fastener NE SAURAIT ÊTRE TENUE RESPONSABLE DE TOUT DOMMAGE PARTICULIER, INDIRECT OU CONSÉCUTIF RÉSULTANT D'UNE VIOLATION DE GARANTIE, D'UNE RUPTURE DE CONTRAT, D'UN ACTE DÉLICTEUX OU AUTRE. Certains États n'autorisent pas la restriction des dommages indirects ou consécutifs, de sorte que les restrictions et exclusions susmentionnées peuvent ne pas s'appliquer dans votre cas.

La présente garantie vous confère des droits légaux spécifiques, et vous pouvez également avoir d'autres droits, lesquels peuvent varier d'un État à l'autre. Au Canada, les dispositions susmentionnées n'ont pas pour vocation d'entrer en vigueur là où la loi l'interdit et n'empêchent pas l'application de toute loi provinciale de protection en vigueur qui pourrait, dans certains cas, prolonger la présente garantie expresse.

ADVERTENCIAS GENERALES PARA HERRAMIENTAS ELÉCTRICAS

⚠ ADVERTENCIA Lea todas las advertencias e instrucciones de seguridad. El incumplimiento de las advertencias e instrucciones puede resultar en un choque eléctrico, incendio y/o lesión grave. **Conserve todas las advertencias e instrucciones para referencia futura.**

El término “herramienta eléctrica” en las advertencias se refiere a su herramienta alimentada por la red eléctrica (con cable) o a una herramienta eléctrica que funciona a batería (inalámbrica).

1. SEGURIDAD EN EL LUGAR DE TRABAJO

- Mantenga el lugar de trabajo limpio y bien iluminado.** En las áreas atestadas u oscuras se pueden provocar accidentes.
- No haga funcionar las herramientas eléctricas en ambientes explosivos,** tal como en presencia de líquidos, gases o polvos inflamables. Las herramientas eléctricas producen chispas que pueden encender el polvo o los vapores.
- Mantenga a los niños y espectadores a una distancia prudente cuando trabaje con una herramienta eléctrica.** Las distracciones pueden causarle pérdida del control.

2. SEGURIDAD ELÉCTRICA

- Los enchufes de las herramientas eléctricas deben coincidir con los tomacorrientes. Nunca modifique el enchufe de ninguna manera. No use adaptadores de enchufes con herramientas eléctricas provistas de conexión a tierra (conectadas a tierra).** Los enchufes que no han sido modificados y los tomacorrientes coincidentes reducirán el riesgo de sufrir un choque eléctrico.
- Evite el contacto del cuerpo con superficies conectadas a tierra o puestas a tierra tal como tuberías, radiadores, estufas y refrigeradores.** Existe un mayor riesgo de choque eléctrico si su cuerpo tiene contacto a tierra.
- No exponga las herramientas eléctricas a la lluvia o humedad.** El agua que penetre a una herramienta eléctrica aumentará el riesgo de choque eléctrico.
- No abuse del cable. Nunca use el cable para transportar, tirar o desenchufar la herramienta eléctrica. Mantenga el cable alejado del calor, aceite, bordes afilados o piezas móviles.** Los cables dañados o enredados aumentan el riesgo de choque eléctrico.
- Cuando utilice una herramienta eléctrica al aire libre, use un cable de extensión adecuado para uso al exterior.** El uso de un cable adecuado para el exterior reduce el riesgo de choque eléctrico.
- Si es inevitable tener que usar una herramienta eléctrica en un lugar húmedo, se debe usar un suministro eléctrico protegido con un dispositivo diferencial residual (DDR).** El uso de un dispositivo diferencial residual (DDR o RCD en inglés) reduce el riesgo de descarga eléctrica.

3. SEGURIDAD PERSONAL

- Manténgase alerta, observe lo que está haciendo y use sentido común cuando trabaje con una herramienta eléctrica. No use una herramienta eléctrica cuando esté cansado o bajo la influencia de drogas, alcohol o medicación.** Un momento de distracción cuando está usando alguna herramienta eléctrica puede resultar en una lesión personal grave.
- Use equipo protector personal. Lleve siempre gafas y protección para los oídos.** El uso de equipo protector tal como máscaras antipolvo, zapatos antideslizantes, cascos o protección para los oídos según las condiciones reducirá el riesgo de lesiones personales.
- Evite la puesta en marcha accidental. Asegúrese de que el interruptor esté en la posición apagado antes de conectar la herramienta a la fuente de suministro y/o a la batería, y al levantar o transportar la herramienta.** Si transporta la

herramienta eléctrica con el dedo en el interruptor o si conecta la herramienta eléctrica cuando el interruptor esté en la posición encendido se ocasionarán accidentes.

- Retire cualquier llave de ajuste antes de poner en marcha la herramienta eléctrica.** Una llave de ajuste que se haya dejado colocada en una pieza rotatoria pueden provocar una lesión personal.
- No alcance más allá de su límite. Mantenga una postura firme y buen equilibrio en todo momento.** Esto permite mejor control de la herramienta eléctrica en situaciones inesperadas.
- Use vestimenta adecuada. No use ropas sueltas ni joyas. Mantenga su cabello, ropas y guantes alejados de las piezas móviles.** Las ropas sueltas, las joyas o el cabello largo pueden quedar atrapadas en las piezas móviles.
- Si se han provisto dispositivos para conectar extractores o recolectores del polvo, asegúrese de que estén conectados y sean usados en forma correcta.** El uso de tales dispositivos pueden reducir los riesgos relacionados con el polvo.

4. USO Y CUIDADO DE LAS HERRAMIENTAS ELÉCTRICAS

- No fuerce la herramienta eléctrica. Use la herramienta eléctrica correcta para su aplicación.** La herramienta eléctrica correcta hará el trabajo mejor y de manera más segura a la velocidad para la cual fue diseñada.
- No use la herramienta eléctrica si el interruptor no se enciende o no se apaga.** Cualquier herramienta que no puede ser controlada con el interruptor es peligrosa y debe ser reparada.
- Desconecte el enchufe de la fuente de alimentación o la batería de la herramienta eléctrica antes de hacer cualquier ajuste, cambiar accesorios o almacenar las herramientas eléctricas.** Tales medidas de seguridad preventivas reducen el riesgo de poner en marcha la herramienta eléctrica accidentalmente.
- Guarde las herramientas eléctricas que no están siendo usadas fuera del alcance de los niños y no permita que personas no familiarizadas con la herramienta eléctrica o con estas instrucciones trabajen con la herramienta eléctrica.** Las herramientas eléctricas son peligrosas en las manos de personas in expertas.
- Preste servicio a las herramientas eléctricas. Verifique si hay desalineamiento o piezas móviles atascadas, rotura de piezas y cualquier otra condición que pueda afectar el funcionamiento de la herramienta eléctrica. Si se daña, haga reparar la herramienta eléctrica antes de usarla.** Muchos accidentes son causados por herramientas eléctricas con mantenimiento deficiente.
- Mantenga las herramientas de corte afiladas y limpias.** Las herramientas de corte debidamente mantenidas con bordes de corte afilados son menos propensas a atascarse y son más fáciles de controlar.
- Use la herramienta eléctrica, los accesorios, etc., de acuerdo con estas instrucciones, tomando en consideración las condiciones de trabajo y el trabajo que se va a realizar.** El uso de la herramienta eléctrica para operaciones diferentes a aquellas para las cuales fue diseñada puede provocar una situación peligrosa.

5. MANTENIMIENTO

- Permita que un técnico de reparación calificado preste servicio a la herramienta eléctrica y sólo con piezas de repuesto idénticas.** Esto ayudará a la seguridad continua de la herramienta eléctrica.

ADVERTENCIAS DE SEGURIDAD DE LA HERRAMIENTA

- **Siempre asuma que la herramienta contiene fijadores.** El manejo negligente de la herramienta puede provocar disparos inesperados de fijadores y lesión Personal.
- **No apunte la herramienta hacia usted mismo ni hacia otros que estén cerca.** Un disparo inesperado puede descargar un sujetador causando una lesión.
- **No accione la herramienta a menos que esté colocada firmemente contra la pieza de trabajo.** Si la herramienta no está en contacto con la pieza de trabajo, el sujetador puede desviarse de su objetivo.
- **Desconecte la herramienta de la fuente de alimentación cuando algún sujetador se atasque en la herramienta.** Cuando retire el sujetador atascado, la herramienta puede activarse accidentalmente si es que está enchufada o conectada a su batería.
- **Tenga cuidado cuando retire un sujetador atascado.** El mecanismo puede estar bajo compresión y el sujetador puede ser descargado con fuerza al tratar de solucionar una situación de atasco.
- **No use esta herramienta para sujetar cables eléctricos.** No ha sido diseñada para instalar cables eléctricos y puede dañar el aislamiento de los cables eléctricos, causando por consiguiente riesgos de choque eléctrico o incendio.

LAS NORMAS DE SEGURIDAD ADICIONALES

1. **Sostenga la herramienta por las superficies de sujeción aisladas durante una situación en que la herramienta pueda entrar en contacto con alambrado oculto o con su propio cable.** El contacto con un alambre bajo tensión también colocará bajo tensión las piezas metálicas expuestas de la herramienta provocando un choque eléctrico al usuario.
2. **Conozca su herramienta eléctrica.** Lea atentamente el manual del usuario. Aprenda sus aplicaciones y limitaciones, así como también los riesgos potenciales específicos relacionados con esta herramienta. El cumplimiento de esta regla reducirá el riesgo de choque eléctrico, incendio o lesión grave.
3. **Siempre use gafas protectoras con protectores laterales.** Los anteojos comunes solamente tienen lentes resistentes a los impactos. Ellos NO son gafas protectoras. El cumplimiento de esta regla reducirá el riesgo de lesiones oculares.
4. **Proteja sus pulmones. Use una máscara facial o contra el polvo si el trabajo despidе mucho polvo.** El cumplimiento de esta regla reducirá el riesgo de sufrir una lesión personal grave.
5. **Proteja su audición.** Use protección auditiva durante períodos de operación prolongados. El cumplimiento de esta regla reducirá el riesgo de sufrir una lesión personal grave.
6. **No trate de modificar la herramienta.** Cualquier modificación no autorizada y/o uso de piezas de repuesto no autorizadas se considera mal uso, lo cual puede provocar una situación peligrosa causando posibles lesiones personales graves. Las piezas no autorizadas y/o la modificación no autorizada de la herramienta anulan automáticamente la garantía.
7. **Use solamente repuestos ARROW® originales.**
8. **La herramienta siempre debe ser alimentada mediante un dispositivo diferencial residual con una corriente residual nominal de 20 mA o menos.**

INSTRUCCIONES DE SEGURIDAD PARA CLAVADORAS

- **Fije el material a trabajar** (una pieza fijada con prensas es más segura que sujeta con las manos)
- **Nunca empuje la cabeza de la engrapadora manualmente** (ya que corre riesgo de lesiones al apretar el gatillo sin intención a la misma vez)
- Evite los daños que pueden ser causados por tornillos, clavos y otros elementos en el material a trabajar; quítelos antes de empezar a trabajar
- Siempre verifique que la tensión de alimentación es la misma que la tensión indicada en la placa de identificación de la herramienta
- En caso de una falla eléctrica o mecánica, apague inmediatamente la herramienta.
- Arrow puede asegurar un funcionamiento perfecto de la herramienta sólo cuando se emplean los accesorios originales
- Esta herramienta no debe ser usada por personas menores de 16 años
- A los 20 disparos por minuto, se debe dejar que la clavadora ET200BN se enfríe después de 30 minutos de uso, ya que sólo está diseñado para corto períodos de uso.

DESCRIPCION FUNCIONAL

V Voltios
A Amperios
Hz Hertz
 Corriente Alterna



Outil Classe II



Siempre use gafas protectoras cuando utilice esta herramienta.

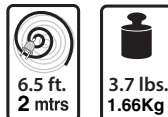
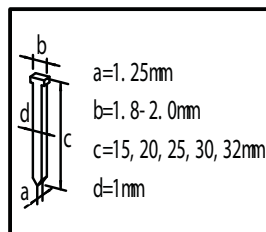


Observe todos los mensajes de seguridad que aparecen junto a este símbolo para evitar posibles lesiones o la muerte.



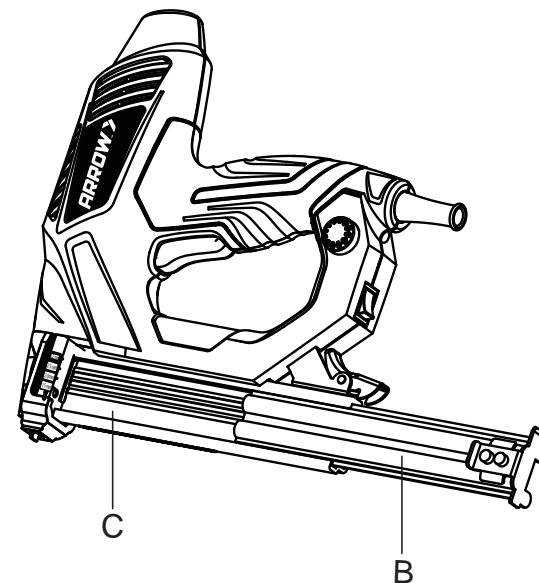
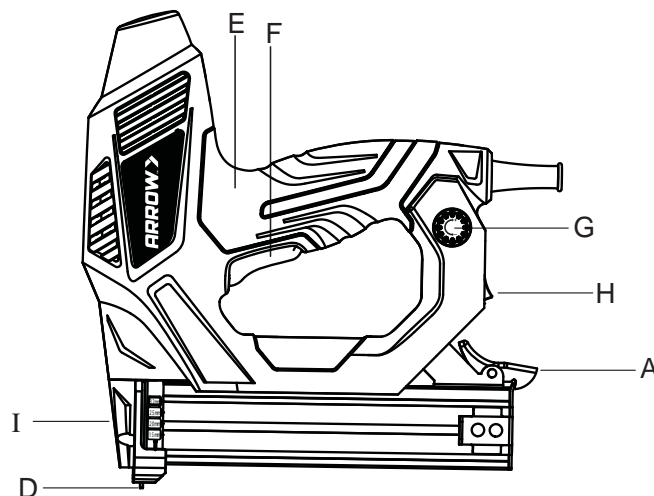
A fin de evitar pérdida de la audición, siempre use protección para los oídos cuando utilice esta herramienta.

ESPECIFICACIONES TÉCNICAS



ELEMENTOS DE LA HERRAMIENTA

A. Palanca para el recargo
 B. Deslizador
 C. Cargador
 D. Cabeza de la engrapadora
 E. Empuñadora suave
 F. Gatillo
 G. Botón para ajustar el impacto
 H. Interruptor
 I. Punta del disparador que no marca



MONTAJE

1. **ASEGÚRESE DE QUE HAYA LEÍDO TODAS LAS INSTRUCCIONES DE SEGURIDAD**
2. Esta herramienta viene completamente ensamblada. No requiere ensamblaje.

CARGAR CLAVOS

- Desconecte la herramienta de la fuente de alimentación cuando cargue los clavos brad
- Incline la herramienta o póngala plana (de lado), para que no se caigan los clavos a la hora de cargar
- Empuje la palanca (A) mientras se acciona el deslizador (B) hacia atrás
- Introduzca una carga de clavos al cargador (C) (capacidad máxima 100 clavos)

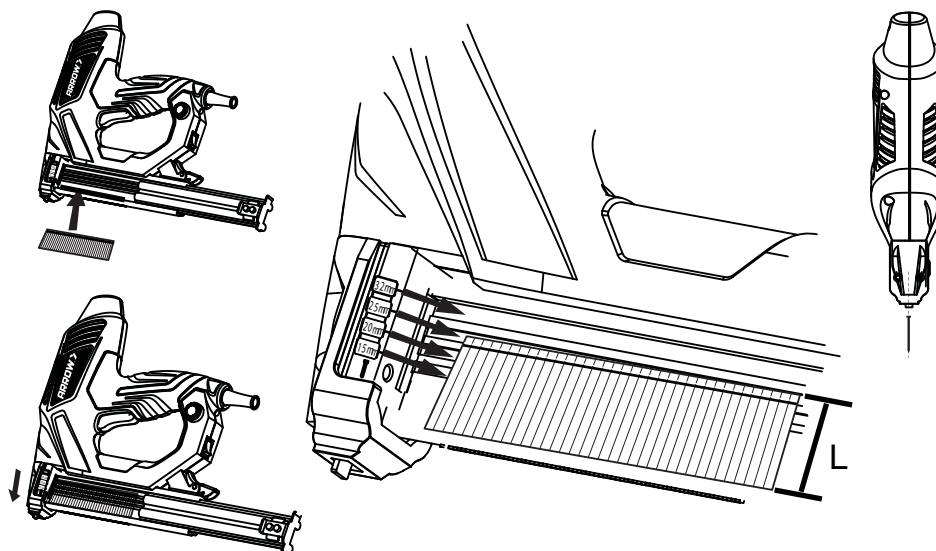
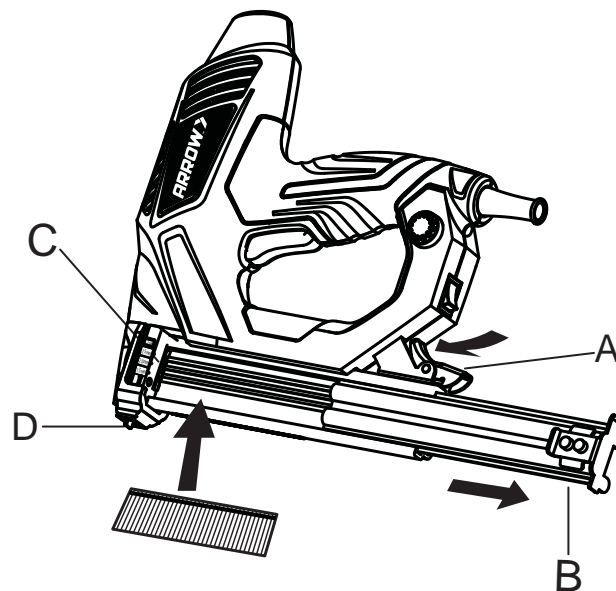
FUNCIONAMIENTO

PARA OPERAR LA HERRAMIENTA.

Primero, coloque la punta de contacto en la superficie a trabajar, sin accionar el gatillo. Empuje la punta de contacto hasta que toque la superficie a trabajar y después accionar el gatillo para tirar un clavo.

⚠ ¡CUIDADO!

- Asegúrese de que la carga de clavos esté cargada con el extremo cónico alineado con la línea inferior del cargador (C), para que la cabeza del clavillo se quede en la ranura que corresponde con el símbolo de longitud del clavo en la cabeza de la engrapadora (D).
- Empuje el deslizador (B) contra la cabeza de la engrapadora (D) hasta que se fije o encaje en su lugar.

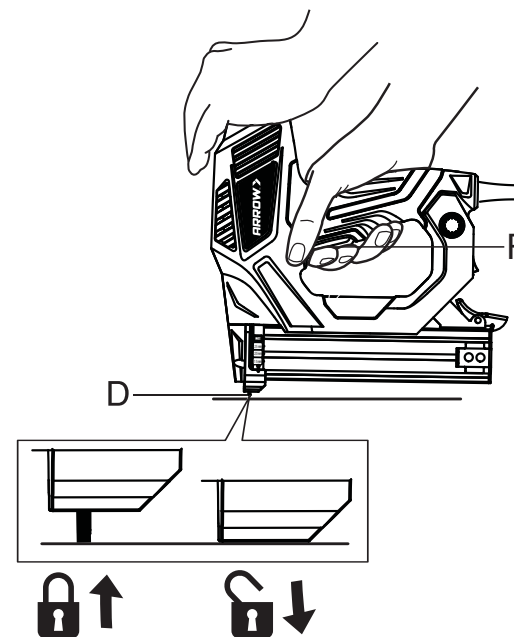


FUNCIONAMIENTO DE LA HERRAMIENTA

Para tirar la herramienta, apriete la cabeza de la engrapadora (D) contra el material a trabajar, apretando unos milímetros a la seguridad de contacto en la parte delantera de la herramienta. Una vez activada la seguridad de contacto, accione brevemente el gatillo (F) para tirar un clavillo y suéltelo otra vez. El gatillo (F) tiene seguro siempre y cuando no empuje la cabeza de la engrapadora (D) contra el material a trabajar, así evitando un disparo accidental. Debe levantar la parte delantera de la herramienta y reactivar la seguridad de contacto después de cada disparo.

⚠ SAQUE TODOS LOS CLAVOS DEL CARGADOR DESPUÉS DE CADA USO!

- Empuje firmemente la cabeza de la engrapadora (D) contra el material a trabajar hasta que se hunda unos milímetros
- Accione brevemente el gatillo (F) y luego suéltelo
- El gatillo (F) tiene seguro siempre y cuando no empuje la cabeza de la engrapadora (D) contra el material a trabajar, así evitando un disparo involuntario



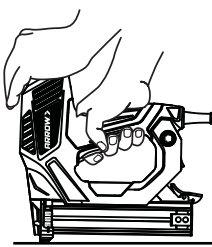
CÓMO DETERMINAR EL TAMAÑO ADECUADO DEL CLAVO BRAD

En elegir el tamaño adecuado de una grapa o un clavillo, hay dos consideraciones básicas:

1. Espesor del material
2. Dureza de la madera. Como regla general, con la madera dura, una entrada del clavo en la madera de 16 a 25 mm es suficiente... y para la madera blanda—hasta aproximadamente 32 mm sería suficiente. Sin embargo, si el clavillo elegido no queda plano con la superficie del material, significa que un tamaño demasiado de largo ha sido usado. En ese caso, recomendamos que se use un clavo de longitud más corta para el resultado esperado.

INSTRUCCIONES PARA CLAVAR

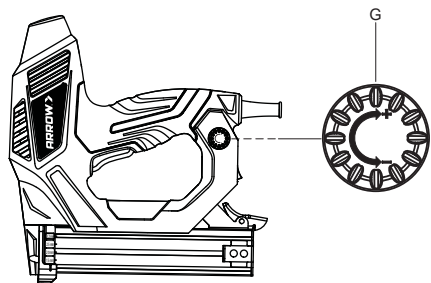
- La dureza de madera se divide (de forma aproximada) en 3 niveles:
 - Alta
 - Media
 - Baja
- Los clavos de distinta longitud son adecuados para los distintos niveles de dureza
- La herramienta tiene un retroceso al tirar, así que se sugiere que use las dos manos al operarla para un mejor manejo

NO.	MADERA	DUREZA DE MADERA	LONGITUD DE CLAVO	OPERACIÓN A MANO
1	HAYA	ALTA	5/8", 3/4", 1"	 <p>FUNCIONAMIENTO CON LAS DOS MANOS (VEA EL DIBUJO). NO SE SUGIERE OPERAR LA HERRAMIENTA CON UNA SOLA MANO.</p>
2	ROBLE		5/8", 3/4", 1"	
3	TABLERO DE DENSIDAD MEDIA	MEDIA	5/8", 3/4", 1"	
4	MADERA SÓLIDA		5/8", 3/4", 1", 1-1/4"	
5	PINO	BAJA	5/8", 3/4", 1", 1-1/4"	
6	CONTRACHAPADO		5/8", 3/4", 1", 1-1/4"	
7	CEDRO		5/8", 3/4", 1", 1-1/4"	

CONTROL DE IMPACTO

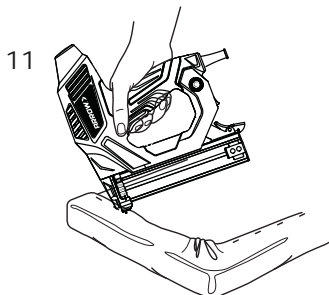
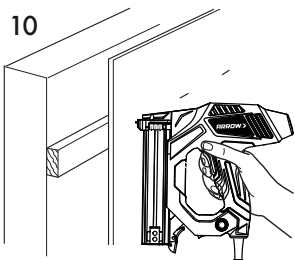
Con el botón (G) se puede arreglar el nivel de impacto

- El indicador (G) muestra el nivel elegido
- “-” para materiales delgados y ligeros
- “+” para los materiales gruesos como maderas duras y paredes
- Antes de empezar un trabajo, descubra el nivel de impacto ideal probándolo con material extra



CONSEJO DE UTILIDAD

- Fijación de paneles (10)
- No use esta herramienta para fijar paneles de techo en madera perfilada o ranuras
- Fijado de textiles (11)
- Evite los disparos en blanco para reducir el desgaste del impacto



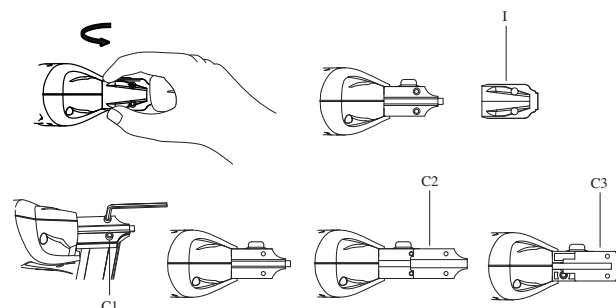
PROCEDIMIENTO PARA DESPEJAR ATASCOS

⚠ DESCONECTE EL CABLE DE ALIMENTACIÓN DE LA FUENTE DE ALIMENTACIÓN ANTES DE RETIRAR LOS CLAVOS.

En el evento poco probable que se atasque un clavo, siga estas instrucciones para quitarlo.

- Quite la punta (I)
- Quite la placa y los pernos de sujeción (C1)
- Quite la placa del mecanismo de seguridad (C2)
- Quite la placa del percutor (C3)

⚠ TENGA EN CUENTA LA UBICACIÓN, ASÍ COMO EL ORDEN EN QUE LAS PIEZAS SE ELIMINAN DE LA CLAVADORA BRAD, ESTO HARÁ QUE SEA MÁS FÁCIL PARA RECONSTRUIRLO. SIGA TODAS LAS ADVERTENCIAS DE SEGURIDAD AL PROBAR LA HERRAMIENTA DESPUÉS DE LA RECONSTRUCCIÓN PARA AYUDAR A ASEGURAR QUE FUE VUELTO A MONTAR CORRECTAMENTE.



⚠ ATENCION!

Asegúrese de que la carga de clavos esté cargada con el extremo cónico alineado con la línea inferior del cargador (C), para que la cabeza del clavillo se quede en la ranura que corresponde con el símbolo de longitud del clavo en la cabeza de la engrapadora (D).

En las superficies muy duras, el retroceso podría impedir la penetración de la fijación. Mejore la potencia poniendo una mano sobre el tapón con firmeza.



MANTENIMIENTO DE LA HERRAMIENTA & ACCESORIOS

MANTENIMIENTO DE LA HERRAMIENTA

Su ET200BN prácticamente no necesita mantenimiento. Manténgala limpia y libre de polvo. Limpiela con un paño suave; no use químicos fuertes para limpiar la ET200BN. Su ET200BN no contiene piezas que el usuario pueda reparar. En el evento poco probable que su ET200BN necesite servicio, póngase en contacto con:

Arrow Fastener Co., LLC
271 Mayhill Street
Saddle Brook, N.J. 07663
Tel. 201 843-6900

ET200BN™ for 120V
Utilice calibre 14
cable de extensión



ACCESORIOS

UNA PALABRA SOBRE LOS CLAVILLOS “Brad” DE ARROW

Solamente Arrow sabe las tolerancias adecuadas requisitas para el mejor desempeño de la clavadora ET200BN. Los clavillos de 18 Gauge auténticamente de Arrow son hechos para estas tolerancias exactas para asegurar el mejor rendimiento. No acepte ningún sustituto.

Los clavillos “Brad” son disponibles en los puntos de venta, las ferreterías, almacenes de madera y donde sea que vendan las herramientas de calidad.

CABLES ALARGADORES

Reemplace o repare los cables alargadores dañados.
Para cable de extensión usar cable de calibre 14.

Clavillo	Longitud	Longitud (mm)
BN1810™	5/8"	15 mm
BN1812™	3/4"	20mm
BN1816™	1"	25 mm
BN1820™	1-1/4"	32mm



GARANTÍA LIMITADA DE 2 AÑOS

Arrow Fastener garantiza al comprador original que todas las piezas de sus productos que contienen componentes eléctricos o electrónicos (a excepción de las baterías) están libres de defectos de material o fabricación durante un año desde la fecha de compra.

Arrow Fastener reparará o reemplazará, GRATUITAMENTE, durante el período de garantía, cualquier producto que resulte defectuoso en material o fabricación bajo uso normal. Si la reparación no es práctica, Arrow Fastener puede optar por reemplazar el producto o reembolsar el precio de compra a cambio del retorno del producto defectuoso. Para un mejor rendimiento, use grapas y clavos Arrow®.

Póngase en contacto con Arrow Fastener llamando al 1-800-776-2228 o por escrito a:

Arrow Fastener Company, LLC
271 Mayhill Street
Saddle Brook, NJ 07663
Attn: Product Warranty Department.

Los gastos incurridos por el comprador original para reparar el producto quedan excluidos. Esta garantía limitada no cubre daño al producto relacionado con desgaste normal, mal uso, abuso o negligencia. No se ofrece ninguna garantía para las baterías. El comprador original debe presentar a Arrow Fastener comprobante de compra para todos los reclamos bajo la garantía. Esta es la garantía exclusiva ofrecida por Arrow Fastener Company para sus productos que contienen componentes o piezas eléctricas o electrónicas (a excepción de las baterías).

Garantías implícitas. EN LA MEDIDA EN QUE LA LEY LO PERMITA, CUALQUIER GARANTÍA IMPLÍCITA, INCLUYENDO CUALQUIER GARANTÍA DE COMERCIALIZACIÓN O ADECUACIÓN PARA UN PROPÓSITO ESPECÍFICO, ESTARÁ LIMITADA A LA MISMA DURACIÓN QUE LA GARANTÍA EXPRESA APLICABLE. En algunos estados no se permiten limitaciones a la duración de una garantía implícita, por lo tanto la limitación anterior puede no aplicarse en su caso.

Limitación de responsabilidad. Arrow Fastener NO SERÁ RESPONSABLE DE DAÑOS ESPECIALES, INCIDENTALES O CONSECUENTES QUE SE PRODUZCAN YA SEA POR VIOLACIÓN DE LA GARANTÍA, INCUMPLIMIENTO DEL CONTRATO, AGRAVIO O DE OTRA MANERA. En algunos estados no se permite la exclusión de daños incidentales o consecuentes, por lo tanto la exclusión anterior puede no aplicarse en su caso.

Esta garantía limitada le otorga derechos legales específicos, y usted también puede tener otros derechos que varían de un estado a otro. En Canadá, las disposiciones anteriores quedarán sin efecto donde sea prohibido por la ley y no impedirán la aplicación de cualquier estatuto provincial de protección que pudiera en ciertas circunstancias extender esta garantía expresa.