

**North America's Leading  
Supplier of Quality Window Hardware**

# Casement Hardware Catalog



- Casement
- Double Hung

- Awning
- Slider

**PRIME-LINE®  
SLIDE-CO®**

# **CASEMENT HARDWARE** *From Prime-Line*

## **Covers**

Page 11



- Attractively packaged
- Tri-lingual
- Detailed instructions
- Special orders available

## **Locks**

Page 12



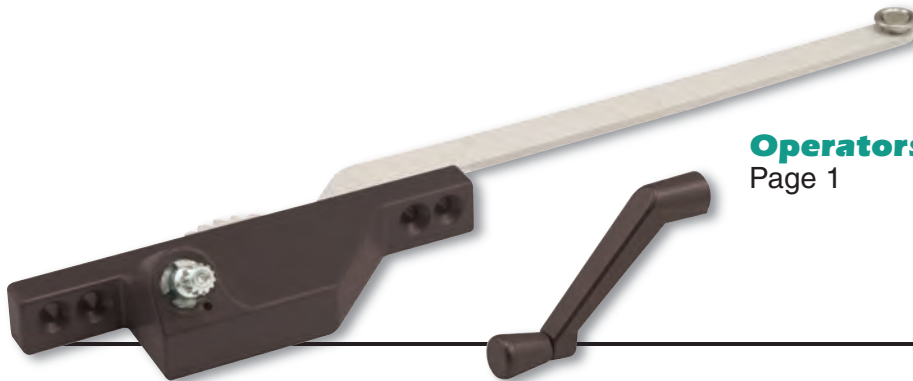
## **Handles**

Page 10



## **Operators**

Page 1



• **The following Window Manufacturers are just a few of those using this type of hardware:**

- American Craftsmen
- Better-Bilt
- Caradco
- Caradco (Illinois)
- Champion
- Crestline
- Crystal

- D7
- Gentek
- Homestead
- Marvin
- Milgard
- Northeast
- Peach Tree

- Pella
- Phillips
- Royal Pine
- Solar
- Viking
- and Others

# **CASEMENT HARDWARE** *From Prime-Line*

## **Covers**

Page 11



- Attractively packaged
- Tri-lingual
- Detailed instructions
- Special orders available

## **Locks**

Page 12



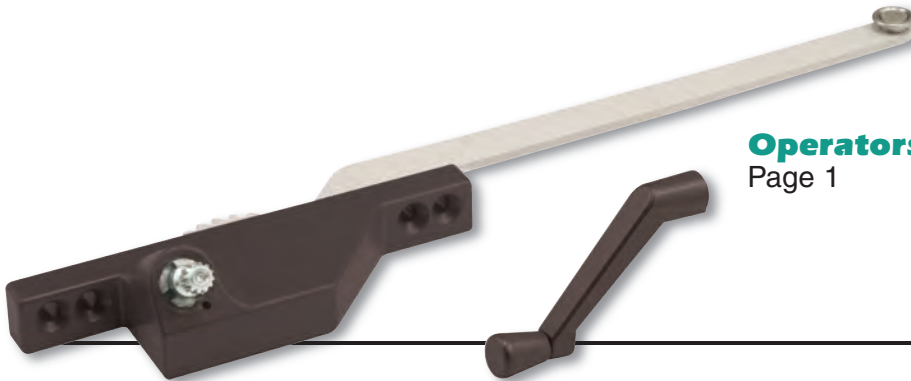
## **Handles**

Page 10



## **Operators**

Page 1



### • The following Window Manufacturers are just a few of those using this type of hardware:

- |                      |              |              |
|----------------------|--------------|--------------|
| • American Craftsmen | • D7         | • Pella      |
| • Better-Bilt        | • Gentek     | • Phillips   |
| • Caradco            | • Homestead  | • Royal Pine |
| • Caradco (Illinois) | • Marvin     | • Solar      |
| • Champion           | • Milgard    | • Viking     |
| • Crestline          | • Northeast  | • and Others |
| • Crystal            | • Peach Tree |              |



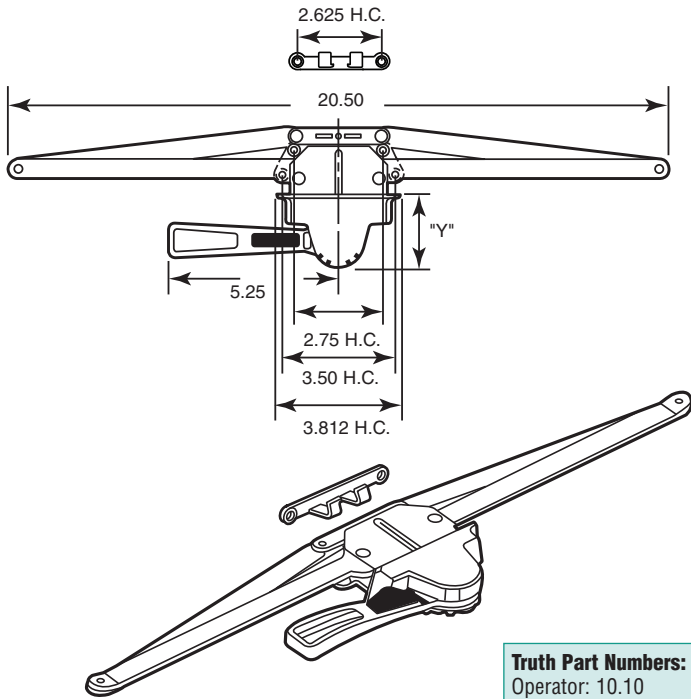
**TRUTH HARDWARE** is the largest manufacturer of awning & casement window hardware in North America. They also produce a large variety of sash, double hung & slider window locks.

Most **TRUTH HARDWARE** is clearly marked with the “**TRUTH**” name etched or molded into the various parts.

All **TRUTH** products are manufactured in the U.S.A. to the highest standards of quality and craftsmanship.

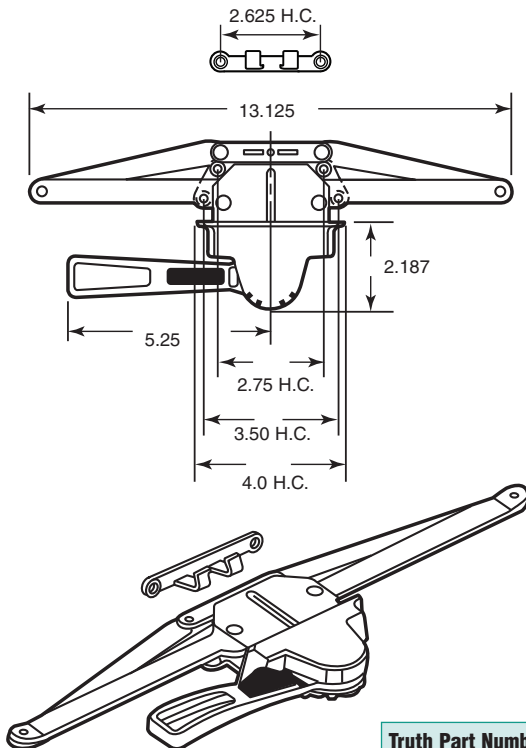
### **Finishes in stock:**

- Bronze
  - White
  - Gold
  - Coppertone
  - Brass Brite
  - Solid Brass
  - Clay
  - “**E-GARD**” finish\*
  - Other finishes available on special order.
- \* “**E-GARD**” finish, where specified, refers to a 3 step electroplating process designed to protect both steel and zinc parts from corrosion.
- Numbers stamped or cast into **TRUTH** products do not denote the corresponding **TRUTH** part numbers.
  - **CASEMENT AND AWNING WINDOW OPERATORS:** The operators and finishes currently in stock are the most popular, however, a variety of other sizes, styles and finishes are available on special order. (See Pages 1 thru 9).
  - **OPERATOR COVERS** are available in both plastic and diecast versions. Use on “**ENTRYGARD**” operators only. (See Page 12).
  - **FOLDING CRANK HANDLE:** This product replaces crank or “T” handles. When folded this crank handle offers a lower profile than a “T” handle. This eliminates interference with window coverings (especially vertical and mini blinds). When lifted to the operating position it allows easier operation and less torque when opening window. (See Page 11).
  - All **CRANK HANDLES** fit 11/32” spindles only. (See Pages 10 thru 11).
  - **WINDOW LOCKS** are available in many styles for various windows. This includes casement, awning, slider and double hung windows. We carry the most popular models but can special order others when required. (See Pages 12 thru 15).
  - **KEEPERS** for window locks are available in a large variety of sizes and shapes. We stock those most commonly used. Keepers are supplied with all window locks and may be ordered separately. (See Pages 17-18).
  - **HINGES:**
  - **Standard Duty 4 Bar** - Steel construction (Zinc Plated) with stops. Used on both awning and casement windows — non-handed. (See Pages 18-19).
  - **Awning** - Must order by the pair (left & right hand). Other sizes available. (See Page 16).
  - **Concealed Casement** - Flat bottom stainless steel track with “Delrin” shoe slide and steel support arms. Supplied with 90° stop device to limit window opening and to protect operator. Many additional sizes available, must order by the pair. (See Pages 15).
  - Contact Customer Service for special requirements or quotations.
  - Prime-Line (800) 255-3505 • Slide-Co (800) 475-4332



**Truth Part Numbers:**  
Operator: 10.10  
Hook: 20008

**Regular handing:** When viewed from the inside, a regular handle will be pointed to the left when window is in the closed position.



**Truth Part Numbers:**  
Operator: 10.14  
Hook: 20008

**Regular handing:** When viewed from the inside, a regular handle will be pointed to the left when window is in the closed position.

## Single Pull Lever Operator

**Contents:** 1 operator; 1 hook and 1 set of installation screws.

Dimension "Y"	Finish	Part No.
Under 2"	Bronze	TH-23070
Over 2"	Bronze	TH-23069
Under 2"	Gold	TH-23072
Over 2"	Gold	TH-23071
Under 2"	White	TH-24077
Over 2"	White	TH-24078

**Description:** High pressure diecast zinc case and lever handle has baked enamel finish; steel base plate, sash hook and lever arms; steel components are protected with the **corrosive resistant E-Gard™** coating process; used on **awning windows** by many manufacturers; holds window open in any of five positions; features a simple release clip for quick sash detachment.

- Use with EP-23065, EP-23066, EP-23067 or EP-23068 awning window hinges.

**TH-24096** (Bronze)

**TH-24097** (White)

## Single Pull Lever Operator

**Contents:** 1 operator; 1 hook; 1 set of installation screws.

**Description:** High pressure diecast zinc case and lever handle has baked enamel finish; steel base plate, sash hook and lever arms; steel components are protected with the **corrosive resistant E-Gard™** coating process; used on **awning windows** by many manufacturers; holds window open in any of five positions; features a simple release clip for quick sash detachment.

## Caseament Hardware (Awning Window)

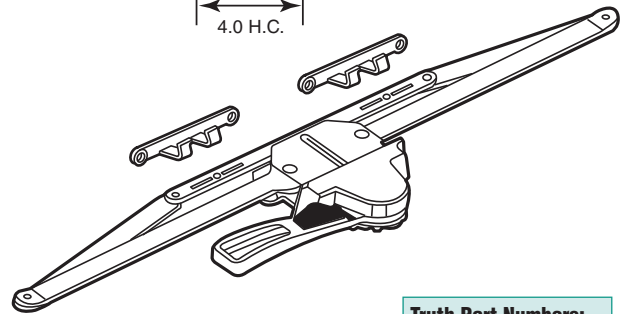
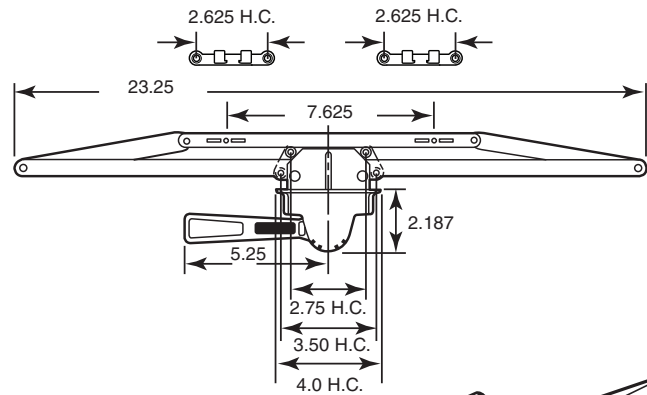
**TH-23097** (Bronze)  
**TH-24079** (White)

### Dual Pull Lever Operator

**Contents:** 1 operator; 2 hooks; 1 set of installation screws.

**Description:** High pressure **diecast zinc** case and lever handle has baked enamel finish; **steel** base plate, sash hook and lever arms; steel components are protected with the **corrosive resistant E-Gard™** coating process; used on **awning windows** by many manufacturers; holds window open in any of five positions; features a simple release clip for quick sash detachment; this model is particularly effective, and offers improved stability, on wide sash windows when in the open position.

- Use with **EP-23065**, **EP-23066**, **EP-23067** or **EP-23068** awning window hinges.



**Truth Part Numbers:**  
 Operator: 10.11  
 Hook: 20008

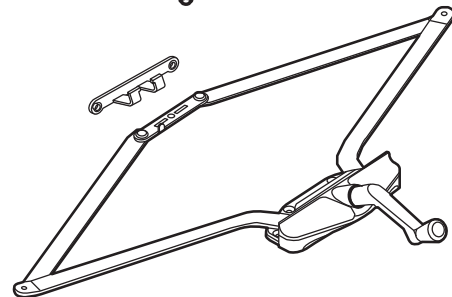
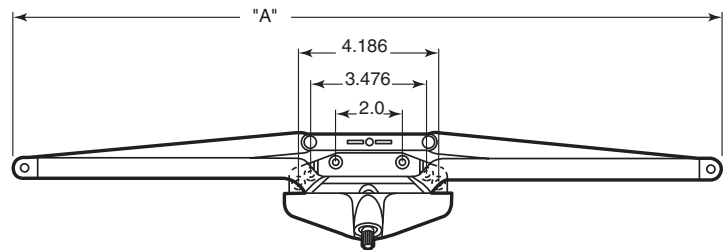
**Regular handing:** When viewed from the inside, a regular handle will be pointed to the left when window is in the closed position.

### Roto Gear Operator

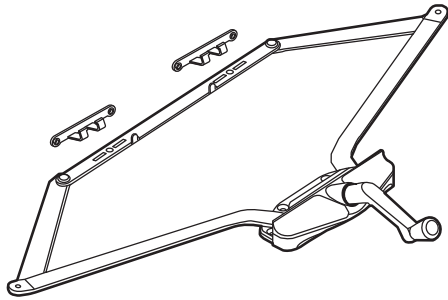
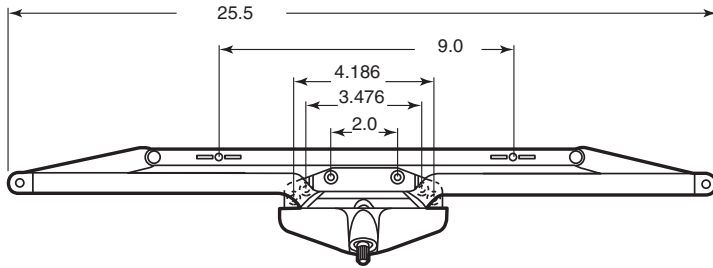
**Contents:** 1 operator; 1 hook and 1 set of installation screws.

Dimension "A"	Finish	Part No.
16-1/8"	Bronze	TH-23011
16-1/8"	Coppertone	TH-23012
16-1/8"	White	TH-23013
21-1/2"	Bronze	TH-23008
21-1/2"	Coppertone	TH-23009
21-1/2"	Gold	TH-23073
21-1/2"	White	TH-23010

**Description:** High pressure **diecast zinc** case and crank handle has baked enamel finish; **hardened steel** worm drive and gear arms; a simple detach feature disengages the operator from the sash for quick window removal.



**Truth Part Numbers:**  
 Operator: 11.10 (21-1/2"); 11.12 (16-1/8")  
 Handle: 10579  
 Hook: 20008



**Truth Part Numbers:**  
 Operator: 11.14  
 Handle: 10579  
 Hook: 20008

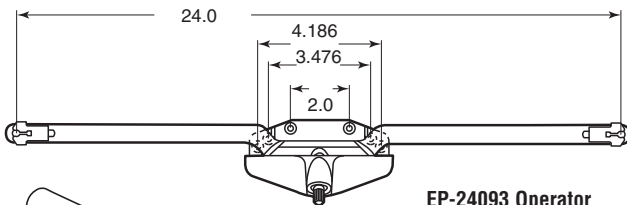
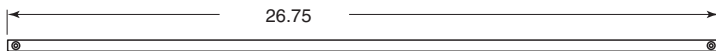
**TH-24058** (Bronze)  
**TH-24121** (Coppertone)  
**TH-24059** (White)

## Roto Gear Operator

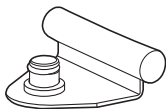
**Contents:** 1 operator; 2 hooks and 1 set of installation screws.

**Description:** High pressure **diecast zinc** case and crank handle has baked enamel finish; **hardened steel** worm drive and gear arms; a simple detach feature disengages the operator from the sash for quick window removal.

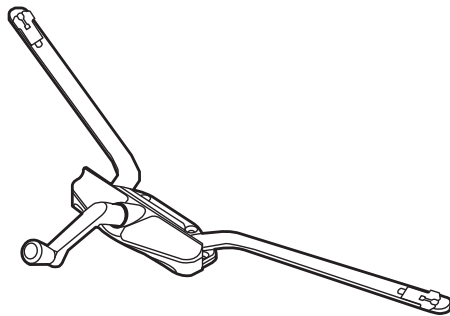
## EP-24094 Guide Bar



EP-24093 Operator



EP-24095 Shoe Stud



**Truth Part Numbers:**  
 Operator: 11.16  
 Handle: 10579  
 Guide bar: 30568  
 Shoe stud: 10005

**EP-24093** (1 Operator with crank handle)  
**EP-24094** (1 Guide bar)  
**EP-24095** (2 Shoe studs)

## Roto Gear Operator & Guide Bar (Bronze)

**Description:** High pressure **diecast zinc** case and crank handle has baked enamel finish; **hardened steel** worm drive and gear arms; a simple detach feature disengages the operator from the sash for quick window removal.

## Caseament Hardware (Awning Window)

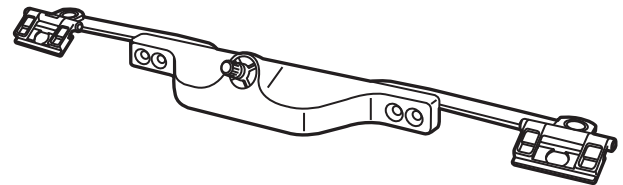
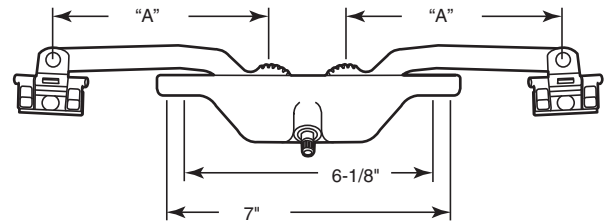
### Pivot Shoe Operator

**Contents:** 1 operator; 1 handle and 1 set of installation screws.

Dimension "A"	Finish	Part No.
5-1/2"	Bronze	TH-24113
5-1/2"	Coppertone	TH-24119
5-1/2"	Black	TH-24115
5-1/2"	White	TH-24114
11"	Bronze	TH-24116
11"	Coppertone	TH-24120
11"	Black	TH-24118
11"	White	TH-24117

**Description:** High pressure **diecast zinc** case and crank handle has baked enamel finish; **hardened steel** worm drive and gear arms; a simple detach feature disengages the operator from the sash for quick window removal.

- Use **H-4148** for replacement track.



**Truth Part Numbers:**

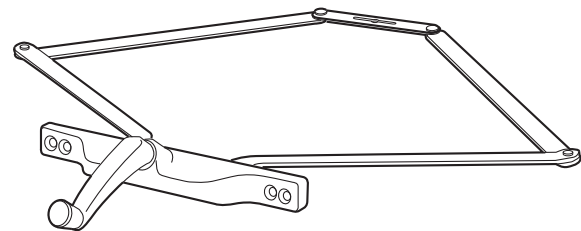
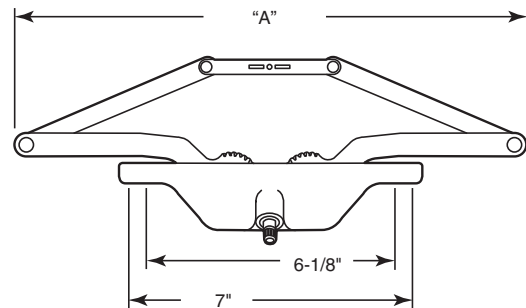
Operator: 22.10 (11"); 22.17 (5-1/2")  
Handle: 10579

### Scissor Arm Operator

**Contents:** 1 operator; 1 handle and 1 set of installation screws.

Dimension "A"	Finish	Part No.
16"	Aluminum	TH-24161
21-1/2"	Aluminum	TH-24162
16"	Bronze	TH-24163
21-1/2"	Bronze	TH-24164

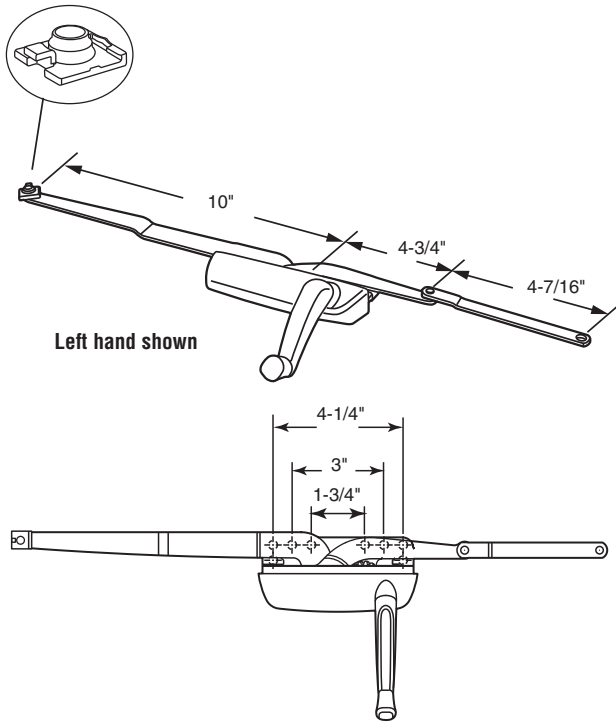
**Description:** High pressure **diecast zinc** case and crank handle has baked enamel finish; **hardened steel** worm drive and gear arms; a simple detach feature disengages the operator from the sash for quick window removal.



**Truth Part Numbers:**

Operator: 22.27 (21-1/2"); 22.29 (16")  
Handle: 10579





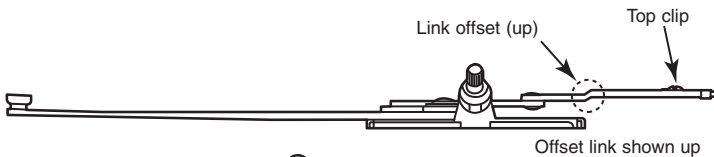
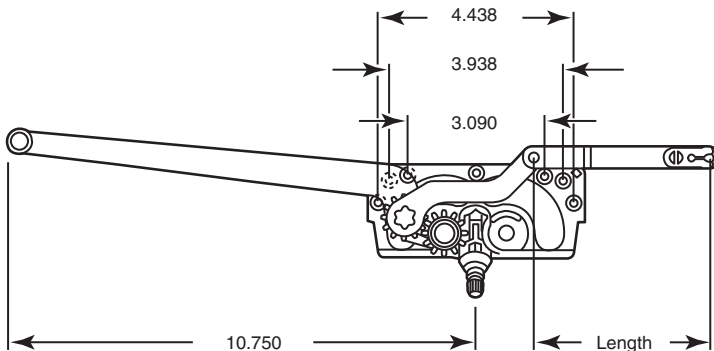
Left hand shown

**Truth Part Numbers:**

Operator: 50.00  
 Handle: 11454  
 Bracket: 12510 (Left Hand); 12511 (Right Hand)

**Specify right or left hand**

(Determined by the side hinge is on, when viewed from the *outside*.)



Left Hand Shown

**Truth Part Numbers:**

Operator: 15.10  
 Stud Bracket: 10339 (left)  
 Stud Bracket: 10340 (right)

**Specify right or left hand**

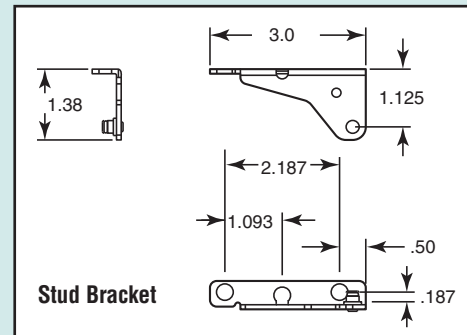
(Determined by the side hinge is on, when viewed from the *outside*.)

## Dual Arm Maxim Operator

**Contents:** 1 operator; 1 handle; 1 bracket and 1 set of installation screws.

Finish	Handing	Part No.
White	Left	TH-24010
Brite White	Left	TH-24011
Bronze	Left	TH-24012
Coppertone	Left	TH-24013
White	Right	TH-24022
Brite White	Right	TH-24023
Bronze	Right	TH-24024
Coppertone	Right	TH-24025

**Description:** High pressure die cast zinc case, handle and knob in baked enamel finishes; hardened steel arm, drive worm and gear are protected with corrosion resistant finish; nylon roller assures smooth operation; operator provides a full 90° window opening and disconnects easily from the sash.



Stud Bracket

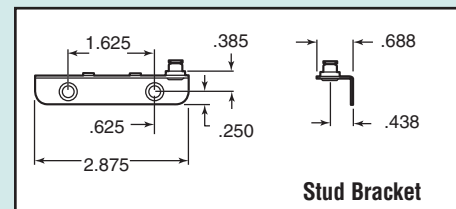
## "Entrygard" Dual Arm Operator (Mechanism only)

**Contents:** 1 operator; 1 stud bracket; 1 set of installation screws.

Handing	Length	Link Offset	Part No.
Left	2-7/16"	Up	TH-24030
Left	3-5/16"	Up	TH-24032
Left	4-1/16"	Up	TH-23076
Left	4-1/16"	Down	TH-24008
Right	2-7/16"	Up	TH-24031
Right	3-5/16"	Up	TH-24033
Right	4-1/16"	Up	TH-23077
Right	4-1/16"	Down	TH-24009

**Description:** High pressure diecast zinc operator base; steel arms and stud bracket; hardened steel worm drive and gears; all raw metal parts are protected with the corrosive resistant E-Gard™ coating process; patented dual arm action pushes the sash open while pulling the hinge side of sash to the open position; offers almost effortless operation.

• Use TH-22397 for replacement track.



Stud Bracket

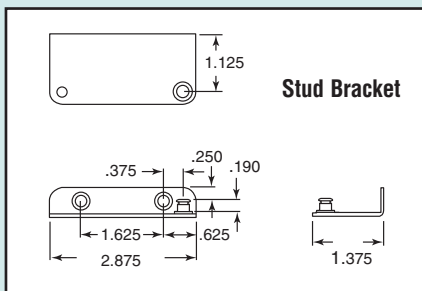
# Caseмент Hardware (Caseмент Window)

**TH-23078** (Left hand)  
**TH-23079** (Right hand)

## "Entrygard" Dyad Operator (Mechanism only)

**Contents:** 1 operator; 1 stud bracket; 1 set of installation screws.

**Description:** High pressure **diecast zinc** operator base; **steel** arms and stud bracket; **hardened steel** worm drive and gears; all raw metal parts are protected with the **corrosive resistant E-Gard™** coating process; designed for narrow style windows (minimum of 11" between the stops); offers excellent low torque operation.



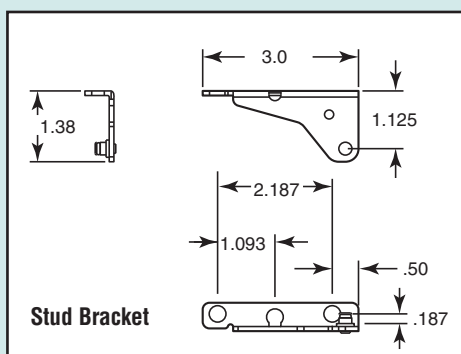
Left Hand Shown

**TH-24082** (White - Left hand)  
**TH-24083** (White - Right hand)  
**TH-24216** (Bronze - Left hand)  
**TH-24217** (Bronze - Right hand)

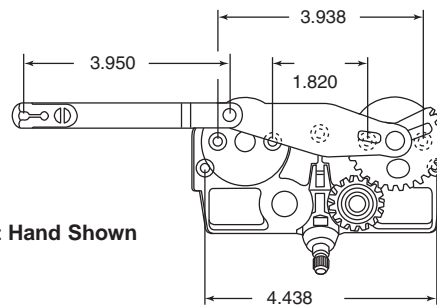
## Maxim Dyad Operator

**Contents:** 1 operator; 1 stud bracket; 1 set of installation screws.

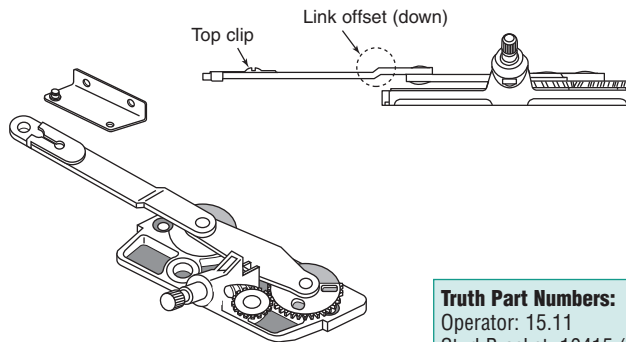
**Description:** High pressure **diecast zinc** case, handle and knob in baked enamel finishes; **hardened steel** arm, drive worm and gear are protected with corrosion resistant finish; **nylon** roller assures smooth operation; disconnects easily from the sash; designed for narrow windows 16" to 32" wide.



Stud Bracket



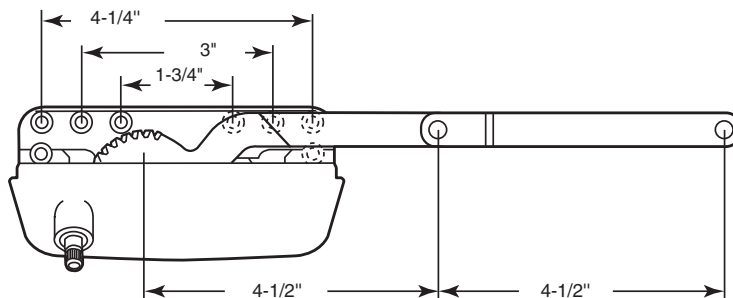
Right Hand Shown



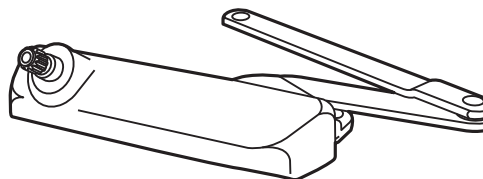
**Truth Part Numbers:**  
 Operator: 15.11  
 Stud Bracket: 10415 (left)  
 Stud Bracket: 10416 (right)

**Specify right or left hand**

(Determined by the side hinge is on, when viewed from the outside.)



Left Hand Shown

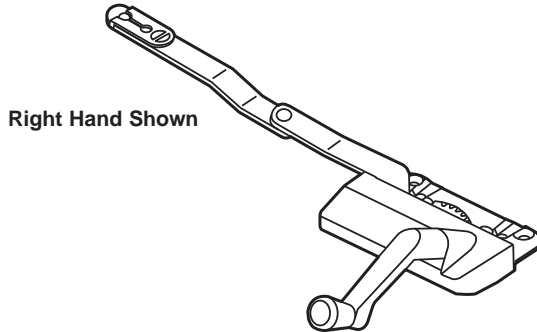
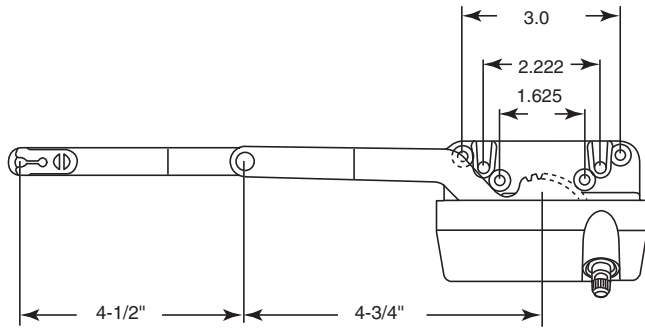


**Truth Part Numbers:**  
 Operator: 50.50  
 Stud Bracket: 12510 (left)  
 Stud Bracket: 12511 (right)

**Specify right or left hand**

(Determined by the side hinge is on, when viewed from the outside.)

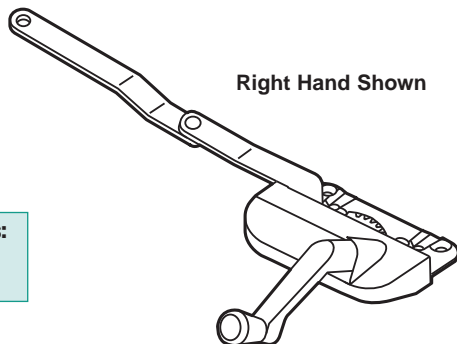
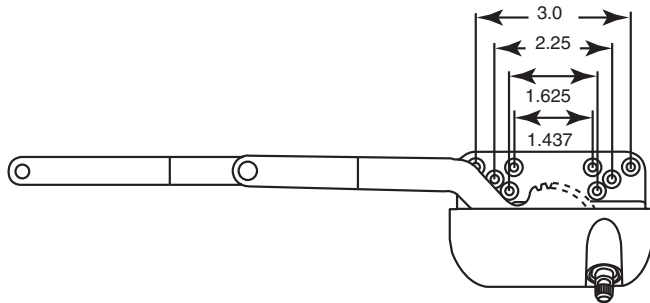
# Casement Hardware (Casement Window)



Right Hand Shown

### Specify right or left hand

(Determined by the side hinge is on, when viewed from the *outside*.)



Right Hand Shown

### Truth Part Numbers:

Operator: 15.18  
Handle: 11454

### Specify right or left hand

(Determined by the side hinge is on, when viewed from the *outside*.)

**TH-24018** (Bronze - Left hand)

**TH-24019** (Bronze - Right hand)

**TH-24020** (White - Left hand)

**TH-24021** (White - Right hand)

### Dyad Operator (Surface mount)

**Contents:** 1 operator; 1 handle and 1 set of installation screws.

**Description:** High pressure **diecast zinc** case, handle and knob in baked enamel finishes; **hardened steel** arm, drive worm and gear are protected with corrosion resistant finish; **nylon** roller assures smooth operation; operator provides a full 90° window opening and disconnects easily from the sash; **replacement operator for Truth "Entry Guard" product, now discontinued.**

**TH-24174** (Bronze - Left hand)

**TH-24175** (Bronze - Right hand)

**TH-24176** (White - Left hand)

**TH-24177** (White - Right hand)

### Ellipse Dyad Operator (Surface mount)

**Contents:** 1 operator; 1 handle and 1 set of installation screws.

**Description:** Designed to replace old "Entry Guard" operators; high pressure **diecast zinc** case, handle and knob in baked enamel finishes; **hardened steel** arm, drive worm and gear are protected with corrosion resistant finish; **nylon** roller assures smooth operation; operator provides a full 90° window opening and disconnects easily from the sash.

# Caseмент Hardware (Casement Window)

## Single Arm Operator (Surface mount)

**Contents:** 1 operator; 1 handle and 1 set of installation screws.

Arm	Handing	Finish	Part No.
9-1/2"	Left	Bronze	TH-23020
		Coppertone	TH-23021
		White	TH-23022
		Gold	TH-23061
		Clay	TH-24037
9-1/2"	Right	Bronze	TH-23023
		Coppertone	TH-23024
		White	TH-23025
		Gold	TH-23062
		Clay	TH-24038
13-1/2"	Left	Bronze	TH-23026
		Coppertone	TH-23027
		White	TH-23028
		Gold	TH-23063
		Clay	TH-24039
13-1/2"	Right	Bronze	TH-23029
		Coppertone	TH-23030
		White	TH-23031
		Gold	TH-23064
		Clay	TH-24040

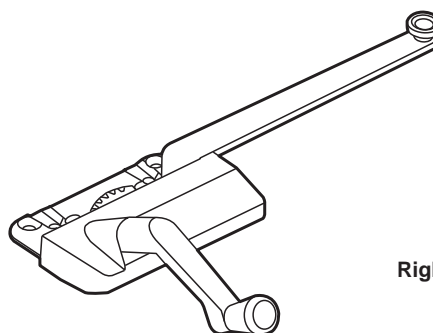
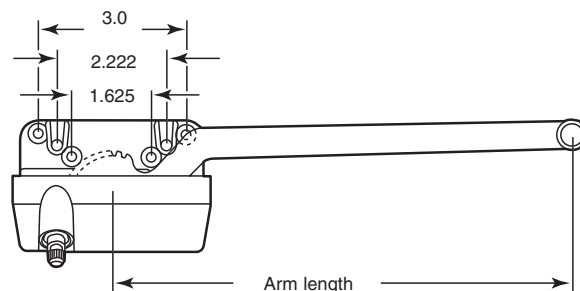
**Description:** High pressure **diecast zinc** case, handle and knob in baked enamel finishes; **hardened steel** arm, drive worm and gear are protected with corrosion resistant finish; **nylon** roller assures smooth operation; operator provides a full 90° window opening and disconnects easily from the sash; **replacement operator for Truth "Entry Guard" product, now discontinued.**

## Ellipse Single Arm Operator (Surface mount)

**Contents:** 1 operator; 1 handle and 1 set of installation screws.

Arm	Handing	Finish	Part No.
9-1/2"	Left	Bronze	TH-24182
		Coppertone	TH-24184
		White	TH-24186
		Gold	TH-24188
		Clay	TH-24190
9-1/2"	Right	Bronze	TH-24183
		Coppertone	TH-24185
		White	TH-24187
		Gold	TH-24189
		Clay	TH-24191
13-1/2"	Left	Bronze	TH-24194
		Coppertone	TH-24196
		White	TH-24198
		Gold	TH-24200
		Clay	TH-24202
13-1/2"	Right	Bronze	TH-24195
		Coppertone	TH-24197
		White	TH-24199
		Gold	TH-24201
		Clay	TH-24203

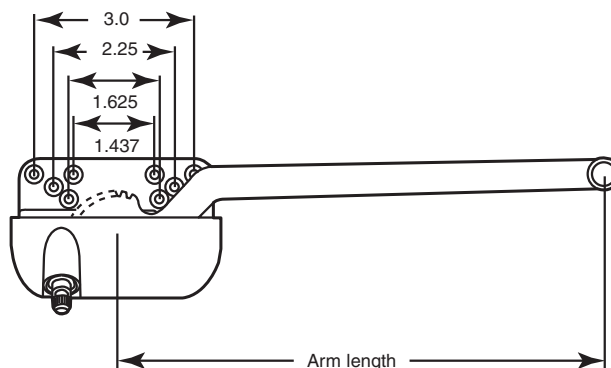
**Description:** Designed to replace old "Entry Guard" operators; high pressure **diecast zinc** case, handle and knob in baked enamel finishes; **hardened steel** arm, drive worm and gear are protected with corrosion resistant finish; **nylon** roller assures smooth operation; operator provides a full 90° window opening and disconnects easily from the sash.



Right Hand Shown

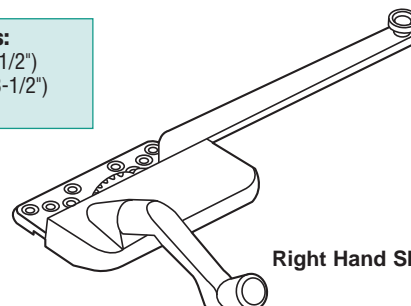
**Specify right or left hand**

(Determined by the side hinge is on, when viewed from the **outside**.)



**Truth Part Numbers:**

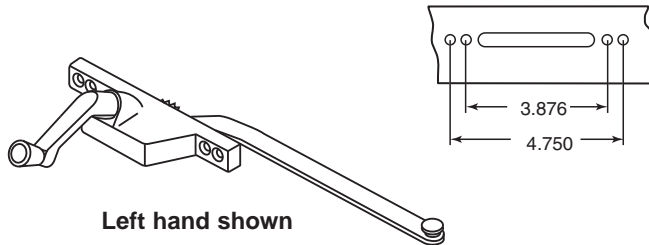
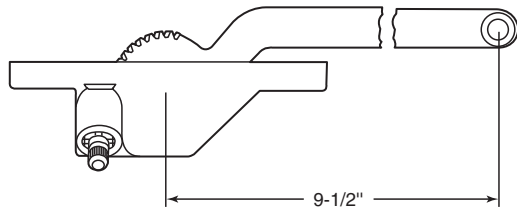
Operator: 15.31 (9-1/2")  
 Operator: 15.32 (13-1/2")  
 Handle: 11454



Right Hand Shown

**Specify right or left hand**

(Determined by the side hinge is on, when viewed from the **outside**.)



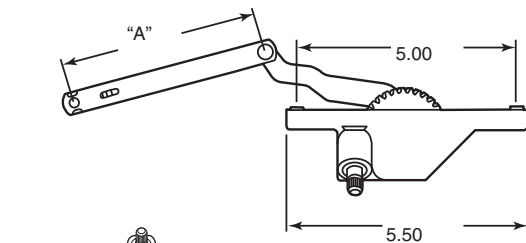
Left hand shown

**Truth Part Numbers:**

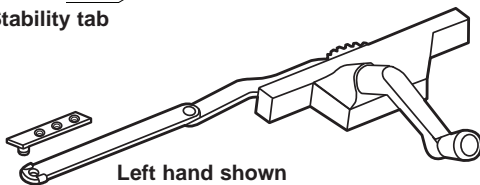
Operator: 23.10  
Handle: 10579

**Specify right or left hand**

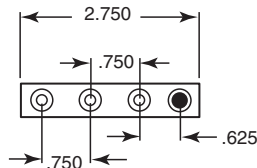
(Determined by the side hinge is on, when viewed from the *inside*.)



Stability tab



Left hand shown



Stud Bracket

**Truth Part Numbers:**

Operator: 23.46 (4-1/2") 23.38 (7-1/4")  
Operator: 23.59 (4-1/2")  
Stud Bracket: 10558  
Handle: 10579

**Specify right or left hand**

(Determined by the side hinge is on, when viewed from the *inside*.)

## Single Arm Operator (Face mount)

**Contents:** 1 operator; 1 handle and 1 set of installation screws.

Finish	Handing	Part No.
Bronze	Left	TH-23014
White	Left	TH-23016
Bronze	Right	TH-23017
White	Right	TH-23019

**Description:** High pressure **diecast zinc** case, crank handle and knob in baked enamel finishes; **hardened steel** worm gear and gear arm are protected with corrosive resistant finish; **stainless steel** arm roller and rivet; operator provides arm movement for 90° window opening; used on steel framed windows.

- Use **EP-22825** for replacement track.

## Dyad Operator (Reverse mount)

**Contents:** 1 operator; 1 handle and 1 set of installation screws.

Dimension "A"	Handing	Finish	Part No.
4-1/2"	Left	Bronze	TH-23089
4-1/2"	Right	Bronze	TH-23090
4-1/2"	Left	White	TH-23091
4-1/2"	Right	White	TH-23092

### Dyad Operator w/stability tab

4-1/2"	Left	Bronze	TH-24206
4-1/2"	Right	Bronze	TH-24207
4-1/2"	Left	White	TH-24208
4-1/2"	Right	White	TH-24209
4-1/2"	Left	Coppertone	TH-24210
4-1/2"	Right	Coppertone	TH-24211
4-1/2"	Left	Black	TH-24212
4-1/2"	Right	Black	TH-24213

**Description:** High pressure **diecast zinc** case, crank handle and knob in baked enamel finishes; **hardened steel** arms, worm and gear are protected with corrosive resistant finish; excellent for casement or single vent awning windows; detachable clip linkage allows for easy removal from sash; used extensively on vinyl windows; machine screws thread thru window frame and into back of operator case.

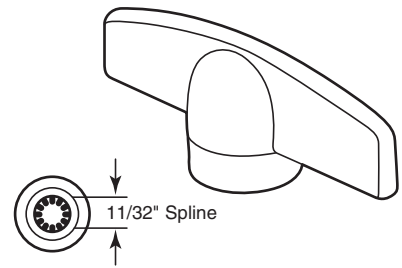
## Casement Hardware (Handles)

- TH-22134** (Bronze)
- TH-22135** (Coppertone)
- TH-22136** (Gold)
- TH-22142** (White)
- TH-24036** (Clay)

### Crank Handle

**Contents:** 1 handle.

**Description:** Diecast zinc handle and knob in **baked enamel** and **plated finishes**; ideal for low profile applications with mini-blinds and vertical blinds; **new snap-on design** does not require a set screw; **fits 11/32" Truth spindles only.**



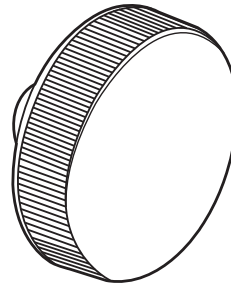
**Truth Part Numbers:**  
Handle: 11573

- TH-24098** (Bronze)
- TH-24100** (Coppertone)
- TH-24099** (Brite White)
- TH-24101** (Clay)

### Casement Knob Handle

**Contents:** 1 handle.

**Description:** Diecast zinc handle and knob in **baked enamel** and **plated finishes**; ideal for low profile applications with mini-blinds and vertical blinds; **new snap-on design** does not require a set screw; **fits 11/32" Truth spindles only.**



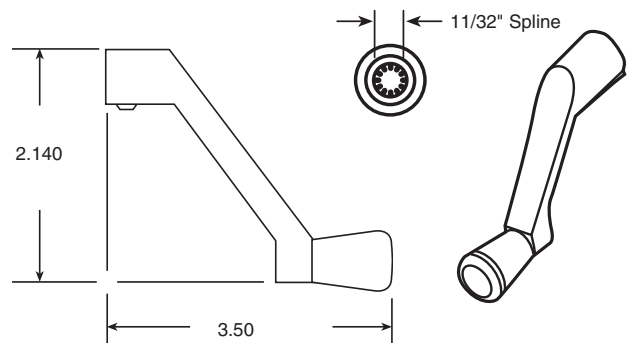
**Truth Part Numbers:**  
Handle: 11660

### Operator Crank Handle

**Contents:** 1 handle.

Finish	Part No.
Bronze	TH-21996
Coppertone	TH-21998
White	TH-22007
Gold	TH-21999
Clay	TH-24076
Black	TH-24215
Nickel Plated	TH-21898

**Description:** Diecast zinc and **solid brass** handle and knob; diecast handles are in **baked enamel finishes**; **fits 11/32" Truth spindles only.**



**Truth Part Numbers:**  
Handle: 10579 (3-1/2")

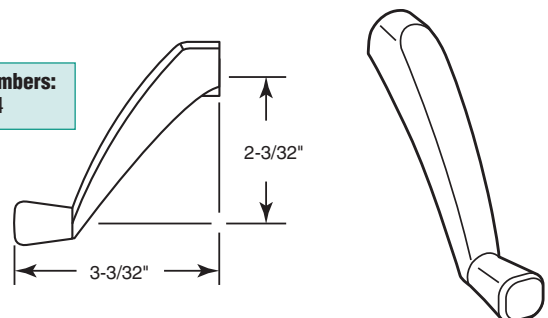
- TH-24026** (White)
- TH-24027** (Brite White)
- TH-24028** (Bronze)
- TH-24029** (Coppertone)
- TH-24041** (Clay)
- TH-24165** (Sandlewood)

### Maxim Crank Handle

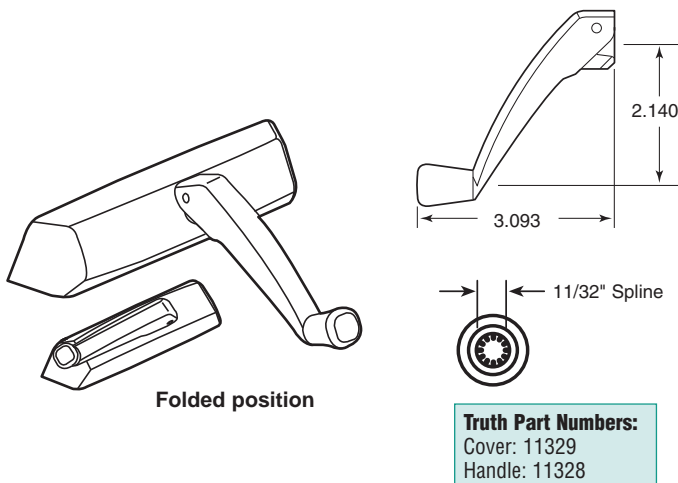
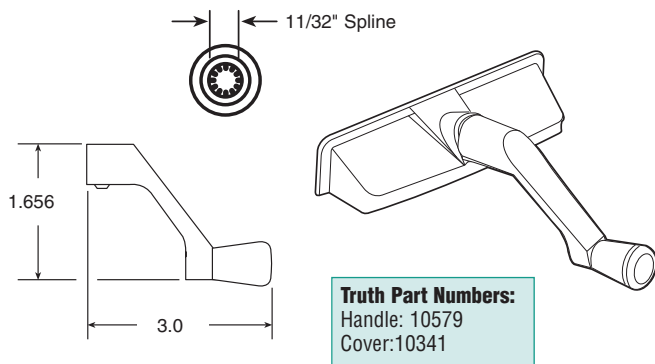
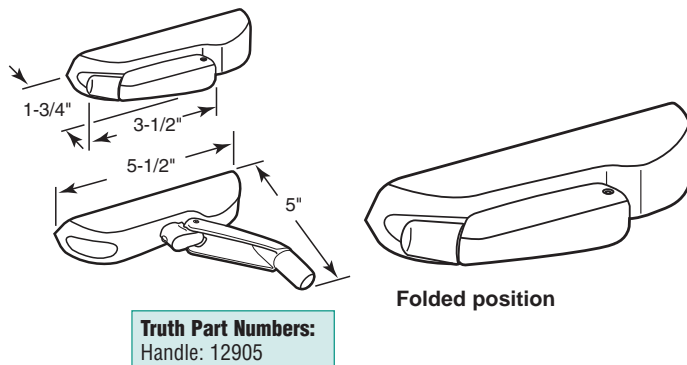
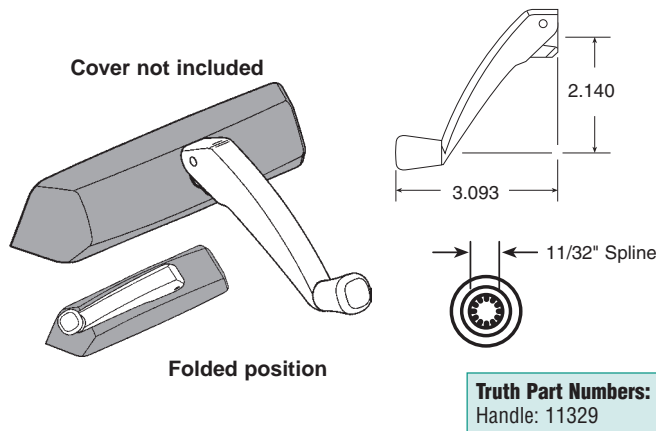
**Contents:** 1 handle.

**Description:** Diecast zinc handle and knob in baked enamel finishes; smooth contour design; fits **Truth "Maxim" series.**

**Truth Part Numbers:**  
Handle: 11454



## Casement Hardware (Handles)



- TH-22243 (Bronze)
- TH-22245 (Coppertone)
- TH-22246 (Gold)
- TH-22253 (White)
- TH-24035 (Clay)

### Folding Handle

**Contents:** 1 handle.

**Description:** Diecast zinc handle and knob in baked enamel and plated finishes; this unique handle offers an exceptionally low profile when folded, yet the crank handle styling requires far less torque, to operate window, than traditional low-profile handles.

- TH-24087 (Bronze)
- TH-24086 (White)
- TH-24089 (Clay)

### Crank Handle & Cover

**Contents:** 1 handle; 1 cover.

**Description:** Molded plastic cover; fits Truth "Entrygard" operators; sleek nesting design upgrades look on existing operators; diecast crank handle.

- TH-24000 (Bronze)
- TH-24001 (Coppertone)
- TH-24002 (Gold)
- TH-24003 (White)
- TH-24034 (Clay)

### Crank Handle & Cover

**Contents:** 1 handle; 1 cover.

**Description:** High impact plastic cover; diecast zinc handle and knob in baked enamel and plated finishes; combination pack saves on merchandising space; fits Truth "Entrygard" operators.

- TH-24056 (Gold)
- TH-24057 (Clay)

### Crank Handle & Cover

**Contents:** 1 handle; 1 cover.

**Description:** Diecast zinc cover; diecast zinc handle and knob in baked enamel and plated finishes; combination pack saves on merchandising space; fits Truth "Entrygard" operators.

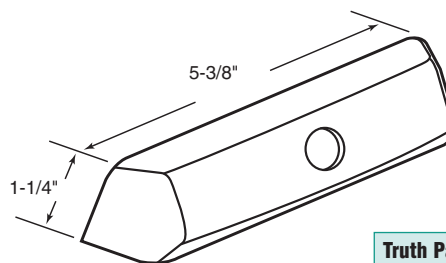
## Casement Hardware (Covers)

**TH-22232** (Bronze)  
**TH-22233** (Coppertone)  
**TH-22240** (White)

### "Entrygard" Operator Cover (Diecast)

**Contents:** 1 cover.

**Description:** Diecast zinc cover is **baked enamel or plated finishes**; contemporary styling; designed to snap-on to the worm housing of **Truth "Entrygard"** operators.



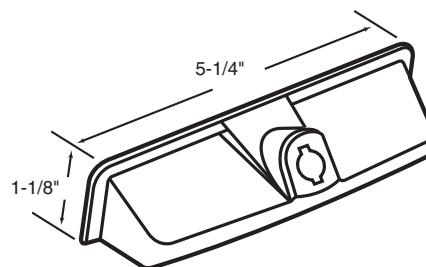
**Truth Part Numbers:**  
 Cover: 11328  
 Cover: 10536 (Bright brass)

**TH-21928** (Bronze)  
**TH-21931** (Coppertone)  
**TH-21986** (Bright Brass)  
**TH-21937** (White)  
**TH-21932** (Gold)  
**TH-24055** (Clay)

### "Entrygard" Operator Cover (Plastic)

**Contents:** 1 cover.

**Description:** **High impact plastic** snap-on cover offers traditional styling and easy replacement.



**Truth Part Numbers:**  
 Cover: 10341

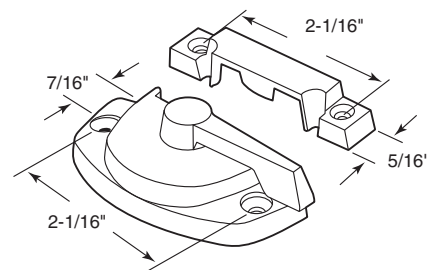
## Casement Hardware (Cam Locks)

**TH-23080** (Bronze)  
**TH-23081** (White)

### "Entrygard II" Cam Lock (With lugs)

**Contents:** 1 lock; 1 keeper; 1 set of installation screws.

**Description:** **High pressure, corrosive resistant diecast zinc; baked enamel finish**; alignment lugs serve to prevent shifting of rails during locking, also enhances window seal.



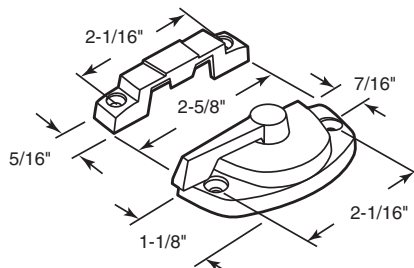
**Truth Part Numbers:**  
 Lock: 17.19  
 Keeper: 45131

**TH-23082** (Bronze)  
**TH-23083** (White)

### "Entrygard II" Cam Lock (Without lugs)

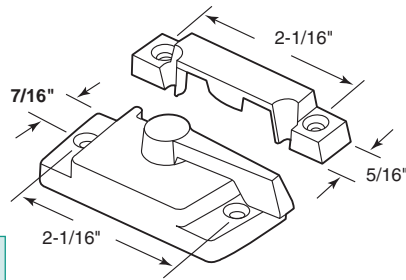
**Contents:** 1 lock; 1 keeper; 1 set of installation screws.

**Description:** **High pressure, corrosive resistant diecast zinc; baked enamel finish**; concealed locking mechanism reduces air infiltration by pulling meeting rails tightly together.

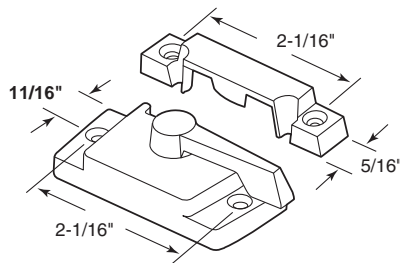


**Truth Part Numbers:**  
 Lock: 17.23  
 Keeper: 40367

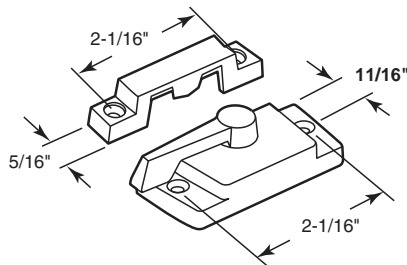




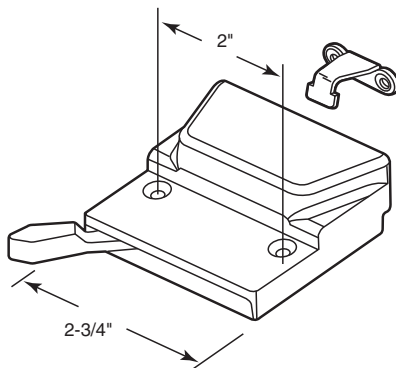
**Truth Part Numbers:**  
Lock: 17.32  
Keeper: 40967



**Truth Part Numbers:**  
Lock: 17.35  
Keeper: 40967



**Truth Part Numbers:**  
Lock: 17.41  
Keeper: 40904



**Truth Part Numbers:**  
Lock: 16.18  
Keeper: 31344

**TH-23084** (Bronze)

**TH-23085** (White)

## "Trimline" Cam Lock (With lugs)

**Contents:** 1 lock; 1 keeper; 1 set of installation screws.

**Description:** High pressure, corrosive resistant diecast zinc; baked enamel finish; concealed locking mechanism pulls rails together helping to reduce air infiltration; alignment lugs prevent side shift of the sash; **slim-line design for narrow rail application**; lower profile allows maximum sash opening.

**TH-23086** (Bronze)

**TH-23087** (White)

## "Trimline" Cam Lock (With lugs)

**Contents:** 1 lock; 1 keeper; 1 set of installation screws.

**Description:** High pressure, corrosive resistant diecast zinc; baked enamel finish; concealed locking mechanism pulls rails together helping to reduce air infiltration; alignment lugs prevent side shift of the sash; **slim-line design for narrow rail application**; lower profile allows maximum sash opening.

**TH-24104** (Coppertone)

## "Trimline" Cam Lock (Without lugs)

**Contents:** 1 lock; 1 keeper; 1 set of installation screws.

**Description:** High pressure, corrosive resistant diecast zinc; baked enamel finish; concealed locking mechanism pulls rails together helping to reduce air infiltration; alignment lugs prevent side shift of the sash; **slim-line design for narrow rail application**; lower profile allows maximum sash opening.

**TH-23053** (Bronze)

**TH-23054** (Coppertone)

**TH-23055** (Bright Brass)

**TH-23056** (White)

**TH-24004** (Gold)

## Low Profile Sash Lock (Non-handed)

**Contents:** 1 lock; 1 keeper; 1 set of installation screws.

**Description:** Painted and plated high pressure diecast zinc case and handle; painted steel backplate, keeper and locking cam; low profile design requires only a 5/8" stop thickness.

# Casement Hardware (Sash Locks)

## "Entrygard" Sash Lock

**Contents:** 1 lock; 1 keeper; 1 set of installation screws.

Finish	Handing	Part No.
Bronze	Left	TH-23044
Coppertone	Left	TH-23045
White	Left	TH-23047
Gold	Left	TH-24005
Bronze	Right	TH-23048
Coppertone	Right	TH-23049
White	Right	TH-23051
Gold	Right	TH-24006

**Description:** Painted and plated high pressure diecast zinc case and handle; painted steel backplate, keeper and locking cam; heavy duty for large casement windows; securely holds sash against weather stripping to help prevent water and air leakage.

- TH-23095** (Bronze - Left hand)
- TH-23096** (Bronze - Right hand)
- TH-23098** (White - Left hand)
- TH-23099** (White - Right hand)

## Sash Lock

**Contents:** 1 lock; 1 keeper; 1 set of installation screws.

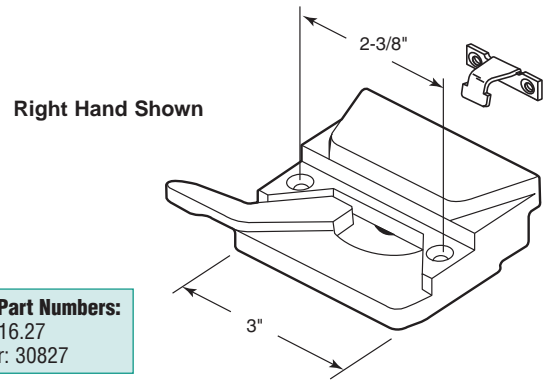
**Description:** Baked enamel high pressure diecast zinc case and handle; painted steel latch and keeper; designed for easy removal of screen panel; excellent cam-acting sealing characteristics.

- TH-24152** (Bronze)
- TH-24153** (White)

## Sash Lock

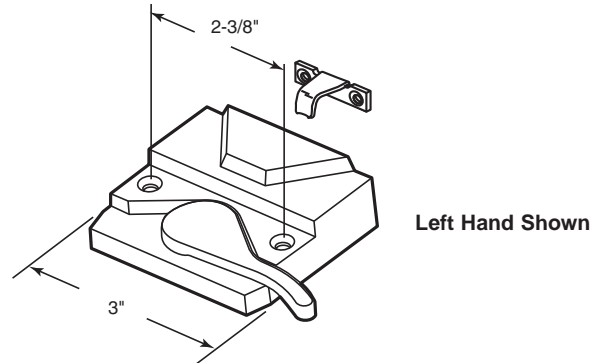
**Contents:** 1 lock; 1 keeper; 1 set of installation screws.

**Description:** Baked enamel high pressure diecast zinc case and handle; painted steel latch and keeper; designed for easy removal of screen panel; excellent cam-acting sealing characteristics.

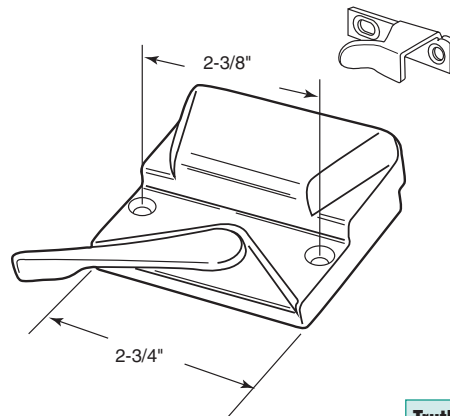


**Truth Part Numbers:**  
Lock: 16.27  
Keeper: 30827

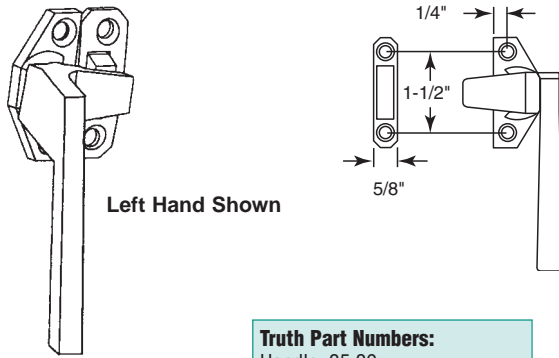
**Specify right or left hand**  
(Determined by the side hinge is on, when viewed from the *outside*.)



**Specify right or left hand**  
(Determined by the side hinge is on, when viewed from the *outside*.)

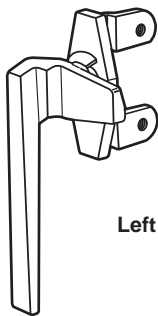


**Truth Part Numbers:**  
Lock: 16.52  
Keeper: 41268 (Left Hand)  
Keeper: 41269 (Right Hand)



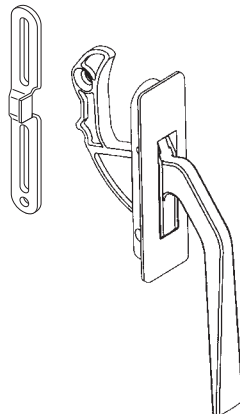
Left Hand Shown

**Truth Part Numbers:**  
 Handle: 25.29  
 Strike housing: 20236  
 Strike inserts: 20231 & 20233

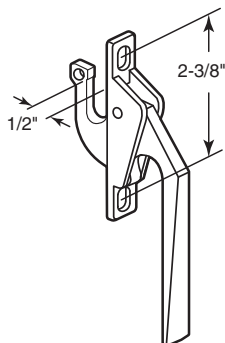


Left Hand Shown

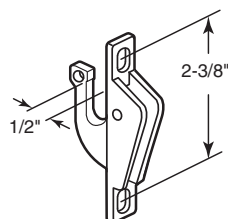
**Truth Part Numbers:**  
 Handle: 25.39  
 Strike housing: 20237  
 Strike inserts: 20231 & 20233



**Truth Part Numbers:**  
 Handle: 24.25  
 Keeper: 21088



**Truth Part Numbers:**  
 Handle: 24.12



**Truth Part Numbers:**  
 Handle: 24.12

## "Trimline" Cam Handle Lock

**Contents:** 1 lock; 1 strike housing; 2 strike inserts; 1 set of installation screws.

Finish	Handing	Part No.
Bronze	Left	TH-23057
Dark Bronze	Left	TH-24066
White	Left	TH-23059
Bronze	Right	TH-23058
Dark Bronze	Right	TH-24067
White	Right	TH-23060

**Description:** Baked enamel high pressure diecast zinc handle, base and strike housing; **black polyester** strike inserts (.218 and .344 high) accommodates various mounting applications; a 90° rotation of the handle locks or unlocks the sash.

## TH-24091 (Left)

## TH-24092 (Right)

## "Trimline" Cam Handle Lock (Chestnut)

**Contents:** 1 lock; 1 strike housing; 2 strike inserts; 1 set of installation screws.

**Description:** Baked enamel high pressure diecast zinc handle and base; a 90° rotation of the handle locks or unlocks the sash.

## TH-23093 (Bronze)

## TH-23094 (White)

## TH-23100 (Coppertone)

## Locking Handle

**Contents:** 1 handle; 1 keeper; 1 set of installation screws.

**Description:** Baked enamel high pressure diecast zinc locking handle assembly; **painted steel** keeper; face mounted style with threaded holes for rear mounting; new design enhances grip to frame and improves sealing against dust and air infiltration.

## TH-24103 (Black)

## EP-20449 (Bronze)

## EP-20451 (White)

## Locking Handle

**Contents:** 1 handle; 1 keeper; 1 set of installation screws.

**Description:** Baked enamel high pressure diecast zinc locking handle; used in dual lock windows with a tie bar.

## EP-20450 (Bronze)

## EP-20452 (White)

## Locking Cam

**Contents:** 1 cam; 1 keeper; 1 set of installation screws.

**Description:** Baked enamel high pressure diecast zinc locking cam; used in dual lock windows with a tie bar.

# Casement Hardware (Locks & Tracks)

## Casement Locking Handle

**Contents:** 1 lock; 1 set of installation screws.

Finish	Handing	Part No.
Bronze	Left	TH-24105
Coppertone	Left	TH-24107
Brass	Left	TH-24108
White	Left	TH-24106
Bronze	Right	TH-24109
Coppertone	Right	TH-24111
Brass	Right	TH-24112
White	Right	TH-24110

**Description:** Diecast body and lever; powder coated finish; used on multi-point locking systems; progressive locking system.

- TH-24016** (Bronze)
- TH-24017** (Coppertone)
- TH-24015** (Brite White)
- TH-24014** (White)

## Locking Handle

**Contents:** 1 handle; 1 set of installation screws.

**Description:** Diecast body and lever; blind tap 10-24 mounting; multi-point actuator.

**EP-22593** (Bagged)

## Torsion Bar

**Contents:** 1 bar.

**Description:** Painted steel torsion bar serves as additional stability to wide awning sash in open position; also assists in improving the seal at the corners on closing; use with lever and roto gear operators.

**EP-24081** (Bagged)

## Casement Operator Track

**Contents:** 1 track; 1 set of installation screws.

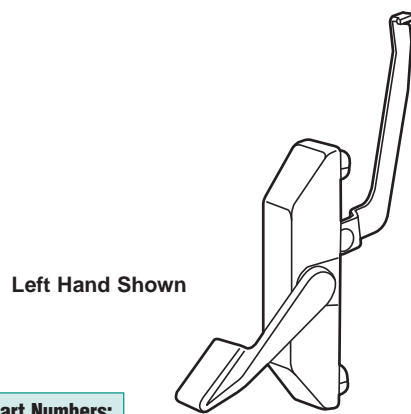
**Description:** Painted steel track; used with *Truth "Maxim"* dual arm operators.

- TH-22397** (11-3/8" Carded)
- EP-22397** (11-3/8" Bagged)
- EP-22374** (13-3/4" Bagged)

## Casement Operator Track

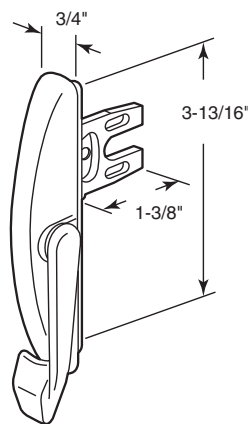
**Contents:** 1 track; 1 set of installation screws.

**Description:** Painted steel track; used with *"Entrygard"* dual arm operators (TH-23076 and TH-23077) as well as all surface mounted operators.

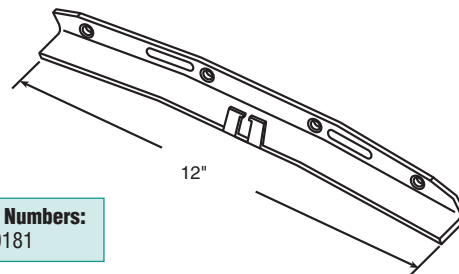


Left Hand Shown

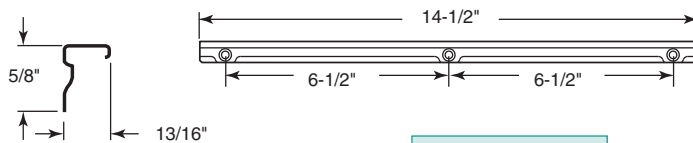
**Truth Part Numbers:**  
Handle: 24.84



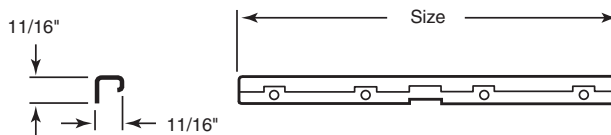
**Truth Part Numbers:**  
Handle: 24.33



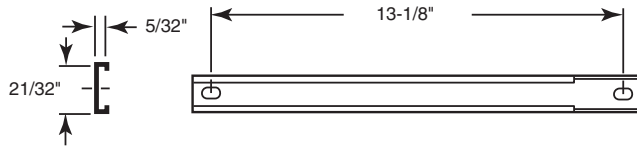
**Truth Part Numbers:**  
Keeper: 40181



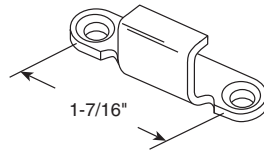
**Truth Part Numbers:**  
Track: 11576



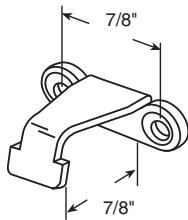
**Truth Part Numbers:**  
Track: 30473



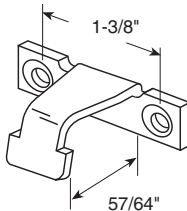
**Truth Part Numbers:**  
Track: 30175



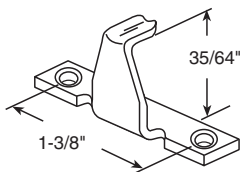
**Truth Part Numbers:**  
Keeper: 20057



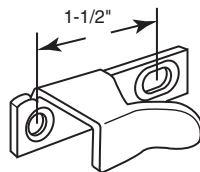
**Truth Part Numbers:**  
Keeper: 31344



**Truth Part Numbers:**  
Keeper: 30827

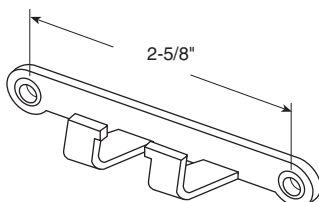


**Truth Part Numbers:**  
Keeper: 20034



**Truth Part Numbers:**  
Keeper: 41268 (Left Hand)  
Keeper: 41269 (Right Hand)

Left Hand Shown



**Truth Part Numbers:**  
Keeper: 20008

## EP-22825 (Bagged)

### Casement Operator Track

**Contents:** 1 track; 1 set of installation screws.

**Description:** Stainless steel track; use with single arm, face mounting, operators.

## EP-22322 (Bagged)

### Toggle Lock Keeper

**Contents:** 1 keeper.

**Description:** Painted steel keeper; "E-gard" neutral color finish has excellent corrosive resistant properties; use with toggle locks (TH-23074 and TH-23075).

## EP-22499 (Bagged)

### Low Profile Lock Keeper

**Contents:** 1 keeper.

**Description:** Painted steel keeper; "E-gard" neutral color finish has excellent corrosive resistant properties; use with low profile sash locks (TH-23053 thru TH-23056).

## EP-22453 (Bagged)

### Sash Lock Keeper

**Contents:** 1 keeper.

**Description:** Painted steel keeper; "E-gard" neutral color finish has excellent corrosive resistant properties; use with sash locks (TH-23044 thru TH-23051).

## EP-22319 (Bagged)

### Sash Lock Keeper

**Contents:** 1 keeper.

**Description:** Painted steel keeper; "E-gard" neutral color finish has excellent corrosive resistant properties; use with sash locks (TH-23095 thru TH-23099).

## TH-24155 (Left & Right Hand)

### Sash Lock Keeper

**Contents:** 2 keepers.

**Description:** Painted steel keeper; "E-gard" neutral color finish has excellent corrosive resistant properties; use with sash locks (TH-24152 & TH-24153).

## EP-22317 (Bagged)

### Sash Hook

**Contents:** 1 hook.

**Description:** Painted steel keeper; "E-gard" neutral color finish has excellent corrosive resistant properties; use with lever and roto gear operators on awning windows.

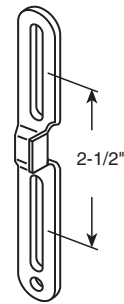
# Caseмент Hardware (Keepers & Hinges)

**EP-22826** (Bagged)

## Locking Handle Keeper

**Contents:** 1 hook.

**Description:** Painted steel keeper; "E-gard" neutral color finish has excellent corrosive resistant properties; use with casement locking handle (TH-23093 & TH-23094).



**Truth Part Numbers:**  
Keeper: 21088

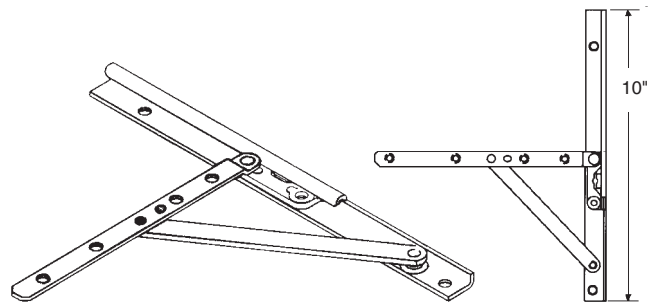
**EP-23088** (Bagged)

## Concealed Casement Hinge

**Contents:** 1 pair of hinges (1 left and 1 right).

**Description:** Stainless steel track with special "Corrosion Gard" plated steel sash and support arms; delrin shoe glide provides self-cleaning action in the track for extended life; special stop feature on support arm prevents window from opening past 90°; flat bottom track reduces rocking.

Used with TH-23076, TH-23077 and all surface or face mount operators.



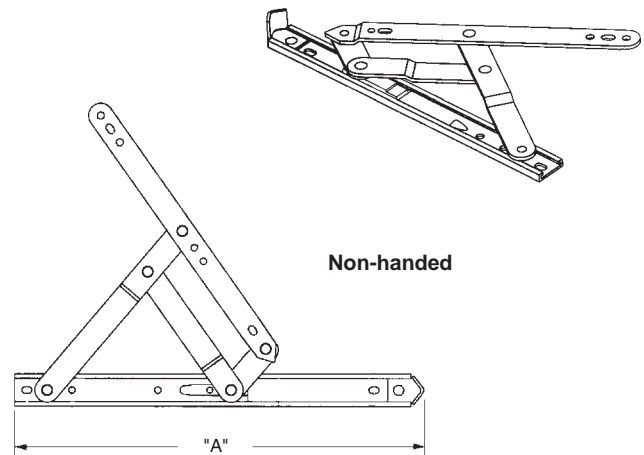
**Truth Part Numbers:**  
Hinge: 14.75

## 4-Bar Hinges (Non-handed)

**Contents:** 1 hinge.

Dimension "A"	Truth No.	Bagged Part No.
8"	34.17	EP-21080
10"	34.18	EP-21083
12"	34.19	EP-21090
14"	34.20	EP-21094
16"	34.21	EP-21099
20"	34.23	EP-21105

**Description:** Zinc plated steel hinges with yellow dichromate dip for protection against corrosion; standard duty with stop for awning and projected windows; sliding brass shoe guide; generally used with "Dyad" (two link design) operators.



Non-handed

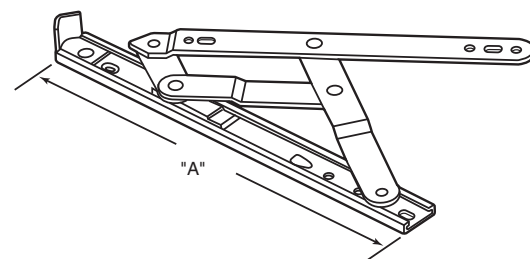
## 4-Bar Hinges (Non-handed / Heavy duty - Stainless steel)

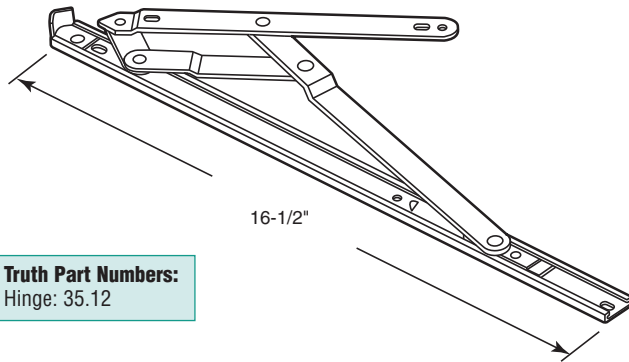
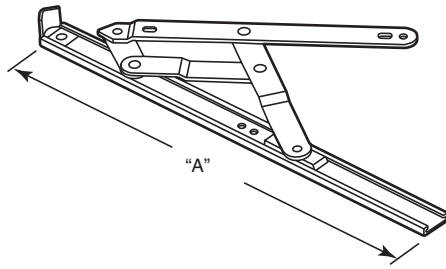
301 series

**Contents:** 1 hinge.

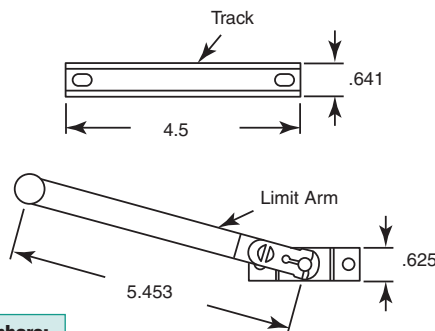
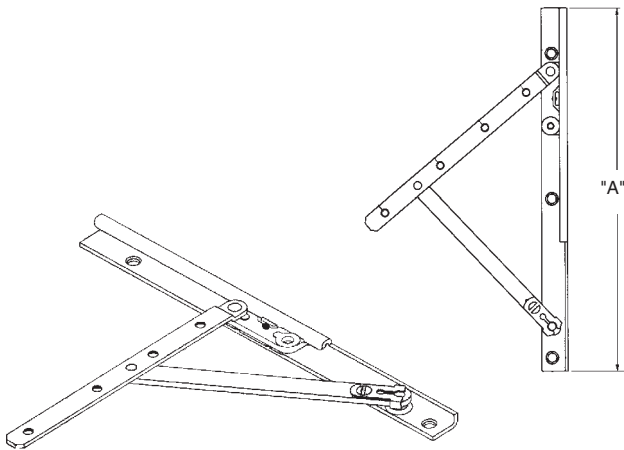
Dimension "A"	Truth No.	Bagged Part No.
10"	34.24	EP-24043
12"	34.25	EP-24044
14"	34.26	EP-24045
16"	34.27	EP-24046
18"	34.28	EP-24047
20"	34.29	EP-24048
24"	34.31	EP-24049

**Description:** Stainless steel heavy duty hinges; brass shoe; with stop; for commercial applications on sash weights up to 200 lbs.





**Truth Part Numbers:**  
Hinge: 35.12



**Truth Part Numbers:**  
Adjuster: 99.20

## 4-Bar Hinges (Non-handed / Standard duty - Stainless steel)

**Contents:** 1 hinge.

Dimension "A"	Truth No.	Bagged Part No.
8"	34.10	EP-24060
10"	34.11	EP-24061
12"	34.12	EP-24062
14"	34.13	EP-24063
16"	34.14	EP-24064
20"	34.16	EP-24065

**Description:** Stainless steel standard duty hinges; brass shoe; with stop.

## EP-24050 (Bagged)

### 4-Bar Egress Casement Hinge (Non-handed)

**Contents:** 1 hinge.

**Description:** Stainless steel heavy duty egress design; with stop; allows for 90° opening; for emergency exit codes.

## Awning Window Hinges

**Contents:** 1 pair of hinges (1 left and 1 right).

Dimension "A"	Truth No.	Sash Height	Sash Weight	Bagged Part No.
10"	13.13	14"	7 lbs.	EP-24042
14"	13.14	19"	20 lbs.	EP-23065
18"	13.15	26"	38 lbs.	EP-23066
22"	13.16	34"	50 lbs.	EP-23067
26"	13.17	42"	61 lbs.	EP-23068

**Description:** Steel track with heavy gauge steel support arms are plated with "Corrosion Gard" for protection; acetal shoe guide with stainless steel insert; these hinges balance a sash as it opens, for smooth effortless operation; detachable support arms allow quick installation of the sash into the frame.

Used with awning window operators.

## EP-24074 (Bagged)

### Limit Device & Friction Adjuster

**Contents:** 1 pair.

**Description:** Steel arm and base; steel track.

## Caseament Hardware (Hinges)

### Limit Device & Friction Adjuster (Standard duty)

Contents: 1 device.

Dimension "A"	Truth No.	Bagged Part No.
8"	37.35	EP-24051
10"	37.36	EP-24052
12"	37.37	EP-24053
14"	37.38	EP-24054

Description: Zinc plated steel; brass shoe; adjustable tension.

### Limit Device & Friction Adjuster (Heavy duty)

Contents: 1 device.

Dimension "A"	Truth No.	Bagged Part No.
10"	37.41	EP-24068
12"	37.42	EP-24069
14"	37.43	EP-24070

Description: Zinc plated steel; brass shoe; adjustable tension.

### Limit Device & Friction Adjuster (With key release)

Contents: 1 device.

Dimension "A"	Bar Length	Truth No.	Bagged Part No.
8"	8"	37.29	EP-24071
10"	8"	37.31	EP-24072
12"	6"	37.33	EP-24073

Key Release Only                      16002                      EP-21552

Description: Zinc plated steel; brass shoe; adjustable tension.

### EP-24080

#### Maxim Guide Shoe

Contents: 4 shoes.

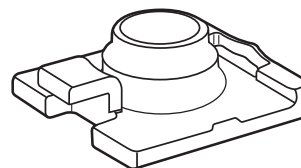
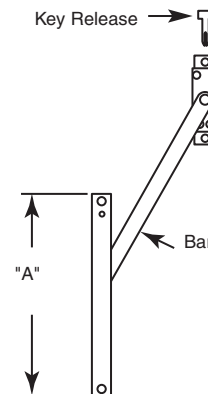
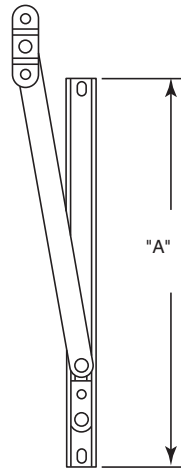
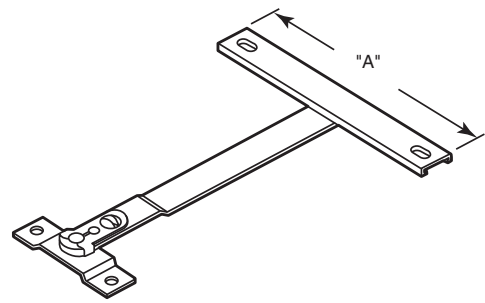
Description: Black nylon guide shoe used on "Maxim" style operators.

### EP-24090

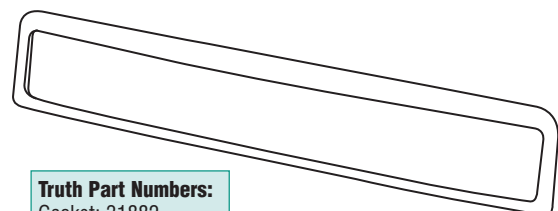
#### Maxim Operator Face Gasket (Self Adhesive)

Contents: 4 gaskets.

Description: Air seal gasket used on "Maxim" style operators.



Truth Part Numbers:  
Shoe: 31877



Truth Part Numbers:  
Gasket: 31882



Part No.	Description	Page No.	Part No.	Description	Page No.
EP-20449 (Bronze)	Locking Handle	15	TH-22233 (Coppertone)	"Entrygard" Operator Cover (Diecast)	12
EP-20450 (Bronze)	Locking Cam	15	TH-22240 (White)	"Entrygard" Operator Cover (Diecast)	12
EP-20451 (White)	Locking Handle	15	TH-22243 (Bronze)	Folding Handle	11
EP-20452 (White)	Locking Cam	15	TH-22245 (Coppertone)	Folding Handle	11
EP-21080	4-Bar Hinges (Non-handed)	18	TH-22246 (Gold)	Folding Handle	11
EP-21083	4-Bar Hinges (Non-handed)	18	TH-22253 (White)	Folding Handle	11
EP-21090	4-Bar Hinges (Non-handed)	18	TH-22397 (Carded)	Casement Operator Track	16
EP-21094	4-Bar Hinges (Non-handed)	18	TH-23008 (Bronze)	Roto Gear Operator	2
EP-21099	4-Bar Hinges (Non-handed)	18	TH-23009 (Coppertone)	Roto Gear Operator	2
EP-21105	4-Bar Hinges (Non-handed)	18	TH-23010 (White)	Roto Gear Operator	2
EP-21552	Key Release Only	20	TH-23011 (Bronze)	Roto Gear Operator	2
EP-22317 (Bagged)	Sash Hook	17	TH-23012 (Coppertone)	Roto Gear Operator	2
EP-22319 (Bagged)	Sash Lock Keeper	17	TH-23013 (White)	Roto Gear Operator	2
EP-22322 (Bagged)	Toggle Lock Keeper	17	TH-23014 (Bronze)	Single Arm Operator (Face mount)	9
EP-22374 (13-3/4" Bagged)	Casement Operator Track	16	TH-23016 (White)	Single Arm Operator (Face mount)	9
EP-22397 (Bagged)	Casement Operator Track	16	TH-23017 (Bronze)	Single Arm Operator (Face mount)	9
EP-22453 (Bagged)	Sash Lock Keeper	17	TH-23019 (White)	Single Arm Operator (Face mount)	9
EP-22499 (Bagged)	Low Profile Lock Keeper	17	TH-23020	Single Arm Operator (Surface mount)	8
EP-22593 (Bagged)	Torsion Bar	16	TH-23021	Single Arm Operator (Surface mount)	8
EP-22825 (Bagged)	Casement Operator Track	17	TH-23022	Single Arm Operator (Surface mount)	8
EP-22826 (Bagged)	Locking Handle Keeper	18	TH-23023	Single Arm Operator (Surface mount)	8
EP-23065	Awning Window Hinges	19	TH-23024	Single Arm Operator (Surface mount)	8
EP-23066	Awning Window Hinges	19	TH-23025	Single Arm Operator (Surface mount)	8
EP-23067	Awning Window Hinges	19	TH-23026	Single Arm Operator (Surface mount)	8
EP-23068	Awning Window Hinges	19	TH-23027	Single Arm Operator (Surface mount)	8
EP-23088 (Bagged)	Concealed Casement Hinge	18	TH-23028	Single Arm Operator (Surface mount)	8
EP-24042	Awning Window Hinges	19	TH-23029	Single Arm Operator (Surface mount)	8
EP-24043	4-Bar Hinges (Non-handed)	18	TH-23030	Single Arm Operator (Surface mount)	8
EP-24044	4-Bar Hinges (Non-handed)	18	TH-23031	Single Arm Operator (Surface mount)	8
EP-24045	4-Bar Hinges (Non-handed)	18	TH-23044 (Bronze)	"Entrygard" Sash Lock	14
EP-24046	4-Bar Hinges (Non-handed)	18	TH-23045 (Coppertone)	"Entrygard" Sash Lock	14
EP-24047	4-Bar Hinges (Non-handed)	18	TH-23047 (White)	"Entrygard" Sash Lock	14
EP-24048	4-Bar Hinges (Non-handed)	18	TH-23048 (Bronze)	"Entrygard" Sash Lock	14
EP-24049	4-Bar Hinges (Non-handed)	18	TH-23049 (Coppertone)	"Entrygard" Sash Lock	14
EP-24050 (Bagged)	4-Bar Egress Casement Hinge	19	TH-23051 (White)	"Entrygard" Sash Lock	14
EP-24051	Limit Device & Friction Adjuster	20	TH-23053 (Bronze)	Low Profile Sash Lock (Non-handed)	13
EP-24052	Limit Device & Friction Adjuster	20	TH-23054 (Coppertone)	Low Profile Sash Lock (Non-handed)	13
EP-24053	Limit Device & Friction Adjuster	20	TH-23055 (Bright Brass)	Low Profile Sash Lock (Non-handed)	13
EP-24054	Limit Device & Friction Adjuster	20	TH-23056 (White)	Low Profile Sash Lock (Non-handed)	13
EP-24060	4-Bar Hinges (Non-handed - Stainless steel)	19	TH-23057 (Bronze)	"Trimline" Cam Handle Lock	15
EP-24061	4-Bar Hinges (Non-handed - Stainless steel)	19	TH-23058 (Bronze)	"Trimline" Cam Handle Lock	15
EP-24062	4-Bar Hinges (Non-handed - Stainless steel)	19	TH-23059 (White)	"Trimline" Cam Handle Lock	15
EP-24063	4-Bar Hinges (Non-handed - Stainless steel)	19	TH-23060 (White)	"Trimline" Cam Handle Lock	15
EP-24064	4-Bar Hinges (Non-handed - Stainless steel)	19	TH-23061	Single Arm Operator (Surface mount)	8
EP-24065	4-Bar Hinges (Non-handed - Stainless steel)	19	TH-23062	Single Arm Operator (Surface mount)	8
EP-24068	Limit Device & Friction Adjuster	20	TH-23063	Single Arm Operator (Surface mount)	8
EP-24069	Limit Device & Friction Adjuster	20	TH-23064	Single Arm Operator (Surface mount)	8
EP-24070	Limit Device & Friction Adjuster	20	TH-23069 (Bronze)	Single Pull Lever Operator	1
EP-24071	Limit Device & Friction Adjuster	20	TH-23070 (Bronze)	Single Pull Lever Operator	1
EP-24072	Limit Device & Friction Adjuster	20	TH-23071 (Gold)	Single Pull Lever Operator	1
EP-24073	Limit Device & Friction Adjuster	20	TH-23072 (Gold)	Single Pull Lever Operator	1
EP-24074 (Bagged)	Limit Device & Friction Adjuster	19	TH-23073 (Gold)	Roto Gear Operator	2
EP-24080	Maxim Guide Shoe	20	TH-23076 (Left hand)	"Entrygard" Dual Arm Operator	5
EP-24081 (Bagged)	Casement Operator Track	16	TH-23077 (Right hand)	"Entrygard" Dual Arm Operator	5
EP-24090	Maxim Operator Face Gasket (Self Adhesive)	20	TH-23078 (Left hand)	"Entrygard" Dyad Operator	6
EP-24093	Roto Gear Operator & Guide Bar (Bronze)	3	TH-23079 (Right hand)	"Entrygard" Dyad Operator	6
EP-24094	Guide Bar	3	TH-23080 (Bronze)	"Entrygard II" Cam Lock (With lugs)	12
EP-24095	Shoe Stud	3	TH-23081 (White)	"Entrygard II" Cam Lock (With lugs)	12
TH-21898 (Nickel plated)	Operator Crank Handle	10	TH-23082 (Bronze)	"Entrygard II" Cam Lock (Without lugs)	12
TH-21928 (Bronze)	"Entrygard" Operator Cover (Plastic)	12	TH-23083 (White)	"Entrygard II" Cam Lock (Without lugs)	12
TH-21931 (Coppertone)	"Entrygard" Operator Cover (Plastic)	12	TH-23084 (Bronze)	"Trimline" Cam Lock (With lugs)	13
TH-21932 (Gold)	"Entrygard" Operator Cover (Plastic)	12	TH-23085 (White)	"Trimline" Cam Lock (With lugs)	13
TH-21937 (White)	"Entrygard" Operator Cover (Plastic)	12	TH-23086 (Bronze)	"Trimline" Cam Lock (With lugs)	13
TH-21986 (Bright brass)	"Entrygard" Operator Cover (Plastic)	12	TH-23087 (White)	"Trimline" Cam Lock (With lugs)	13
TH-21996 (Bronze)	Operator Crank Handle	10	TH-23089	Dyad Operator (Reverse mount)	9
TH-21998 (Coppertone)	Operator Crank Handle	10	TH-23090	Dyad Operator (Reverse mount)	9
TH-21999 (Gold)	Operator Crank Handle	10	TH-23091	Dyad Operator (Reverse mount)	9
TH-22007 (White)	Operator Crank Handle	10	TH-23092	Dyad Operator (Reverse mount)	9
TH-22134 (Bronze)	Crank Handle	10	TH-23093 (Bronze)	Locking Handle	15
TH-22135 (Coppertone)	Crank Handle	10	TH-23094 (White)	Locking Handle	15
TH-22136 (Gold)	Crank Handle	10	TH-23095 (Bronze - Left hand)	Sash Lock	14
TH-22142 (White)	Crank Handle	10	TH-23096 (Bronze - Right hand)	Sash Lock	14
TH-22232 (Bronze)	"Entrygard" Operator Cover (Diecast)	12	TH-23097 (Bronze)	Dual Pull Lever Operator	2

# Truth Hardware (Index)

Part No.	Description	Page No.	Part No.	Description	Page No.
TH-23098 (White - Left hand)	Sash Lock	14	TH-24108 (Brass - L.H.)	Casement Locking Handle	16
TH-23099 (White - Right hand)	Sash Lock	14	TH-24109 (Bronze - R.H.)	Casement Locking Handle	16
TH-23100 (Coppertone)	Locking Handle	15	TH-24110 (White - R.H.)	Casement Locking Handle	16
TH-24000 (Bronze)	Crank Handle & Cover	11	TH-24111 (Coppertone - R.H.)	Casement Locking Handle	16
TH-24001 (Coppertone)	Crank Handle & Cover	11	TH-24112 (Brass - R.H.)	Casement Locking Handle	16
TH-24002 (Gold)	Crank Handle & Cover	11	TH-24113 (Bronze)	Pivot Shoe Operator	4
TH-24003 (White)	Crank Handle & Cover	11	TH-24114 (White)	Pivot Shoe Operator	4
TH-24004 (Gold)	Low Profile Sash Lock (Non-handed)	13	TH-24115 (Black)	Pivot Shoe Operator	4
TH-24005 (Gold)	"Entrygard" Sash Lock	14	TH-24116 (Bronze)	Pivot Shoe Operator	4
TH-24006 (Gold)	"Entrygard" Sash Lock	14	TH-24117 (White)	Pivot Shoe Operator	4
TH-24008 (Left hand)	"Entrygard" Dual Arm Operator	5	TH-24118 (Black)	Pivot Shoe Operator	4
TH-24009 (Right hand)	"Entrygard" Dual Arm Operator	5	TH-24119 (Coppertone)	Pivot Shoe Operator	4
TH-24010 (Left)	Dual Arm Maxim Operator	5	TH-24120 (Coppertone)	Pivot Shoe Operator	4
TH-24011 (Left)	Dual Arm Maxim Operator	5	TH-24121 (Coppertone)	Roto Gear Operator	3
TH-24012 (Left)	Dual Arm Maxim Operator	5	TH-24152 (Bronze)	Sash Lock	14
TH-24013 (Left)	Dual Arm Maxim Operator	5	TH-24153 (White)	Sash Lock	14
TH-24014 (Cream)	Locking Handle	16	TH-24155 (Left & Right Hand)	Sash Lock Keeper	17
TH-24015 (Brite White)	Locking Handle	16	TH-24161	Scissor Arm Operator	4
TH-24016 (Bronze)	Locking Handle	16	TH-24162	Scissor Arm Operator	4
TH-24017 (Coppertone)	Locking Handle	16	TH-24163	Scissor Arm Operator	4
TH-24018 (Bronze - Left hand)	Dyad Operator	7	TH-24164	Scissor Arm Operator	4
TH-24019 (Bronze - Right hand)	Dyad Operator	7	TH-24165 (Sandlewood)	Maxim Crank Handle	10
TH-24020 (White - Left hand)	Dyad Operator	7	TH-24174 (Bronze - L.H.)	Dyad Operator (Surface mount)	7
TH-24021 (White - Right hand)	Dyad Operator	7	TH-24175 (Bronze - R.H.)	Dyad Operator (Surface mount)	7
TH-24022 (Right)	Dual Arm Maxim Operator	5	TH-24176 (White - L.H.)	Dyad Operator (Surface mount)	7
TH-24023 (Right)	Dual Arm Maxim Operator	5	TH-24177 (White - R.H.)	Dyad Operator (Surface mount)	7
TH-24024 (Right)	Dual Arm Maxim Operator	5	TH-24182	Single Arm Operator (Surface mount)	8
TH-24025 (Right)	Dual Arm Maxim Operator	5	TH-24183	Single Arm Operator (Surface mount)	8
TH-24026 (White)	Maxim Crank Handle	10	TH-24184	Single Arm Operator (Surface mount)	8
TH-24027 (Brite White)	Maxim Crank Handle	10	TH-24185	Single Arm Operator (Surface mount)	8
TH-24028 (Bronze)	Maxim Crank Handle	10	TH-24186	Single Arm Operator (Surface mount)	8
TH-24029 (Coppertone)	Maxim Crank Handle	10	TH-24187	Single Arm Operator (Surface mount)	8
TH-24030 (Left hand)	"Entrygard" Dual Arm Operator	5	TH-24188	Single Arm Operator (Surface mount)	8
TH-24031 (Right hand)	"Entrygard" Dual Arm Operator	5	TH-24189	Single Arm Operator (Surface mount)	8
TH-24032 (Left hand)	"Entrygard" Dual Arm Operator	5	TH-24190	Single Arm Operator (Surface mount)	8
TH-24033 (Right hand)	"Entrygard" Dual Arm Operato	5	TH-24191	Single Arm Operator (Surface mount)	8
TH-24034 (Clay)	Crank Handle & Cover	11	TH-24194	Single Arm Operator (Surface mount)	8
TH-24035 (Clay)	Folding Handle	11	TH-24195	Single Arm Operator (Surface mount)	8
TH-24036 (Clay)	Crank Handle	10	TH-24196	Single Arm Operator (Surface mount)	8
TH-24037	Single Arm Operator (Surface mount)	8	TH-24197	Single Arm Operator (Surface mount)	8
TH-24038	Single Arm Operator (Surface mount)	8	TH-24198	Single Arm Operator (Surface mount)	8
TH-24039	Single Arm Operator (Surface mount)	8	TH-24199	Single Arm Operator (Surface mount)	8
TH-24040	Single Arm Operator (Surface mount)	8	TH-24200	Single Arm Operator (Surface mount)	8
TH-24041 (Clay)	Maxim Crank Handle	10	TH-24201	Single Arm Operator (Surface mount)	8
TH-24055 (Clay)	"Entrygard" Operator Cover (Plastic)	12	TH-24202	Single Arm Operator (Surface mount)	8
TH-24056 (Gold)	Crank Handle & Cover	11	TH-24203	Single Arm Operator (Surface mount)	8
TH-24057 (Clay)	Crank Handle & Cover	11	TH-24206	Dyad Operator (Reverse mount)	9
TH-24058 (Bronze)	Roto Gear Operator	3	TH-24207	Dyad Operator (Reverse mount)	9
TH-24059 (White)	Roto Gear Operator	3	TH-24208	Dyad Operator (Reverse mount)	9
TH-24066 (Dark Bronze)	"Trimline" Cam Handle Lock	15	TH-24209	Dyad Operator (Reverse mount)	9
TH-24067 (Dark Bronze)	"Trimline" Cam Handle Lock	15	TH-24210	Dyad Operator (Reverse mount)	9
TH-24076 (Clay)	Operator Crank Handle	10	TH-24211	Dyad Operator (Reverse mount)	9
TH-24077 (White)	Single Pull Lever Operator	1	TH-24212	Dyad Operator (Reverse mount)	9
TH-24078 (White)	Single Pull Lever Operator	1	TH-24213	Dyad Operator (Reverse mount)	9
TH-24079 (White)	Dual Pull Lever Operator	2	TH-24215	Operator Crank Handle	10
TH-24082 (White - Left hand)	Maxim Dyad Operator	6	TH-24216 (Bronze - Left Hand)	Maxim Dyad Operator	6
TH-24083 (White - Right hand)	Maxim Dyad Operator	6	TH-24217 (Bronze - Right hand)	Maxim Dyad Operator	6
TH-24086 (White)	Crank Handle & Cover	11			
TH-24087 (Bronze)	Crank Handle & Cover	11			
TH-24089 (Clay)	Crank Handle & Cover	11			
TH-24091 (Left)	"Trimline" Cam Handle Lock (Chestnut)	15			
TH-24092 (Right)	"Trimline" Cam Handle Lock (Chestnut)	15			
TH-24096 (Bronze)	Single Pull Lever Operator	1			
TH-24097 (White)	Single Pull Lever Operator	1			
TH-24098 (Bronze)	Casement Knob Handle	10			
TH-24099 (Brite White)	Casement Knob Handle	10			
TH-24100 (Coppertone)	Casement Knob Handle	10			
TH-24101 (Clay)	Casement Knob Handle	10			
TH-24103 (Black)	Locking Handle	15			
TH-24104 (Coppertone)	"Trimline" Cam Lock (Without lugs)	13			
TH-24105 (Bronze - L.H.)	Casement Locking Handle	16			
TH-24106 (White - L.H.)	Casement Locking Handle	16			
TH-24107 (Coppertone - L.H.)	Casement Locking Handle	16			

# North America's Largest Supplier of Replacement Window & Door Hardware



Patio Door Handles



Screen Door Rollers & Guides



Shower Door Hardware

Window & Door Security



Screen Door Latches & Strikes



Door Locks & Strikes



Patio Door Rollers



Closet Door Hardware

ZZ-63 (Revised: 07/16)



0 49793 00063 7

**PRIME-LINE® SLIDE-CO**

26950 San Bernardino Ave. Redlands, CA 92374  
800-255-3505 • Fax 800-437-7405