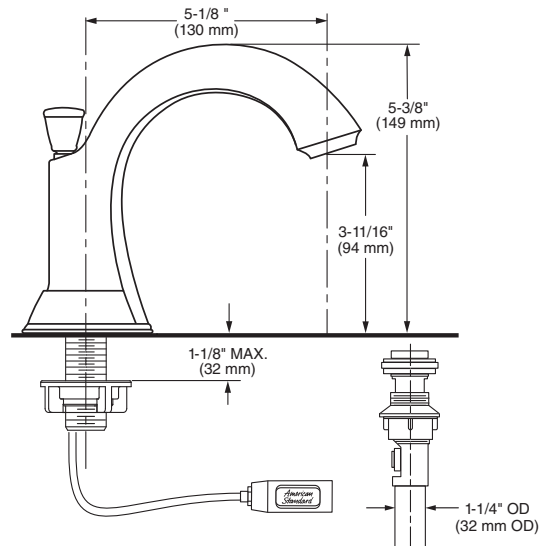
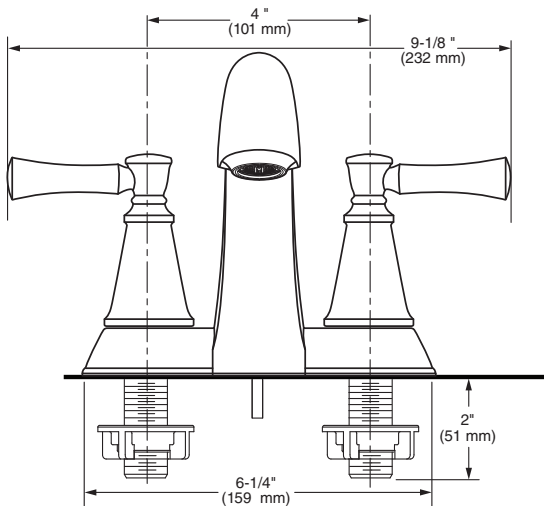




### MODEL NUMBER:

- ❑ **7022201.002 Centerset Lavatory Faucet**  
Speed Connect® pre-assembled drain.  
Metal lever handles. Polished Chrome finish.  
SKU# 673-3560.
- ❑ **7022201.075 Centerset Lavatory Faucet**  
Speed Connect pre-assembled drain.  
Metal lever handles. Brushed Nickel finish.  
SKU# 673-3561.



### Easier Installation

**SPEED CONNECT® DRAIN**

Reliable For Life



### Guaranteed Not To Leak

**CERAMIC DISC VALVE**

Reliable For Life



### Beautiful & Tough

**TARNISH, SCRATCH AND CORROSION RESISTANT FINISH**

Reliable For Life



### GENERAL DESCRIPTION:

Centerset lavatory faucet on 4" centers. 1/4 turn washerless ceramic disc valve cartridges. Durable non-metal waterways with one-half inch male inlet shanks. Metal body. Metal lever handles. 20" (500 mm) long flexible stainless steel drain cable is pre-assembled to faucet body. Speed Connect® pre-assembled drain body with 1-1/4 inch (32 mm) tail piece. 1.2 gpm/4.5 L/min. maximum flow rate.

### PRODUCT FEATURES:

#### Speed Connect® Drain:

- 1/3 the parts, installs in 1/3 the time.
- No tools or plumbers putty required for installation.
- No adjustments required - seals the first time, every time.
- Flexible stainless steel cable - installs effortlessly in tight spaces.

**Simple Installation:** Fast and easy one person installation. Faucet drops in from top.

**Ceramic Disc Valve Cartridge:** Assures a lifetime of drip-free performance.

**Lead Free:** Faucet contains ≤ 0.25% total lead content by weighted average.

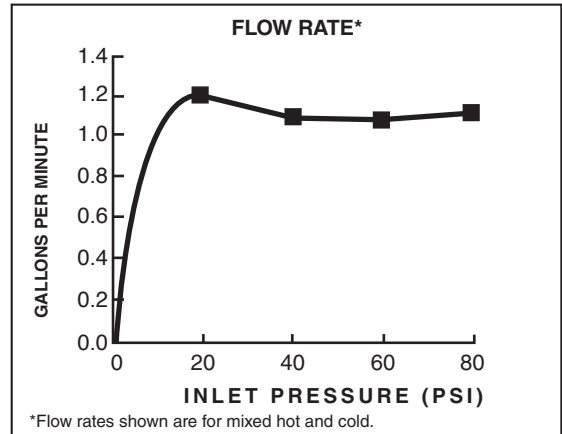
### SUGGESTED SPECIFICATION

Dual control 4" centerset lavatory faucet shall feature a non-metal waterway. Shall also feature 1/4 turn washerless ceramic disc valve cartridges. Shall also feature a drain body with stainless steel cable actuation. Fitting shall be American Standard Model# 7022201.002, SKU# 673-3560. Model# 7022201.075, SKU# 673-3561.


**CODES AND STANDARDS**

These products meet or exceed the following codes and standards:

- ANSI A117.1**
- ASME A112.18.1**
- CSA B125**
- NSF 61/Section 9**
- NSF 372**



Product Number	Description
7022201.002	Centerset lavatory. Lever handles. Speed Connect® pre-assembled drain. Polished Chrome finish. SKU# 673-3560.
7022201.075	Centerset lavatory. Lever handles. Speed Connect® pre-assembled drain. Brushed Nickel finish. SKU# 673-3561.

 Meets the American Disabilities Act Guidelines **ANSI A117.1** Requirements for the physically challenged.