

**MONTVALE™ 33 x 22 STAINLESS STEEL
KITCHEN SINK KIT**

18CR.332232C.075 60/40 Double Bowl

Kit includes:

- Double bowl sink
- Waste fittings
- Coordinating pull-down faucet with matching soap dispenser
- Top mount installation hardware
- Installation instructions and cutout template included

Stainless Steel Sink

- 60/40 Double Bowl
- 18 Gauge Stainless Steel
- 18-10 Chrome Nickel content
- Dual Mount installation
- 36" (914mm) cabinet required
- Limited Lifetime Warranty

Nominal Dimensions:

33" x 22" x 9" / 7-1/2"
(838 x 558 x 229 / 190mm)

Large Bowl Size:

15-1/4" (388mm) wide
18" (458mm) front to back
9" (229mm) deep

Small Bowl Size:

12-1/2" (318mm) wide
15-15/16" (404mm) front to back
7-1/2" (190mm) deep

Pull-Down Faucet

- 1.8 gpm
- Brass swivel spout
- Ceramic disc valve cartridge for drip free performance
- Spray and Stream Functions
- Lead Free: Faucet contains $\leq 0.25\%$ lead content by weighted average
- Coordinating soap dispenser included
- Limited Lifetime Warranty

Strainer

- Standard 3-1/2" (89mm) diameter
- Limited Lifetime Warranty



SEE REVERSE FOR ROUGHING-IN DIMENSIONS
AND PRODUCT SPECIFICATIONS

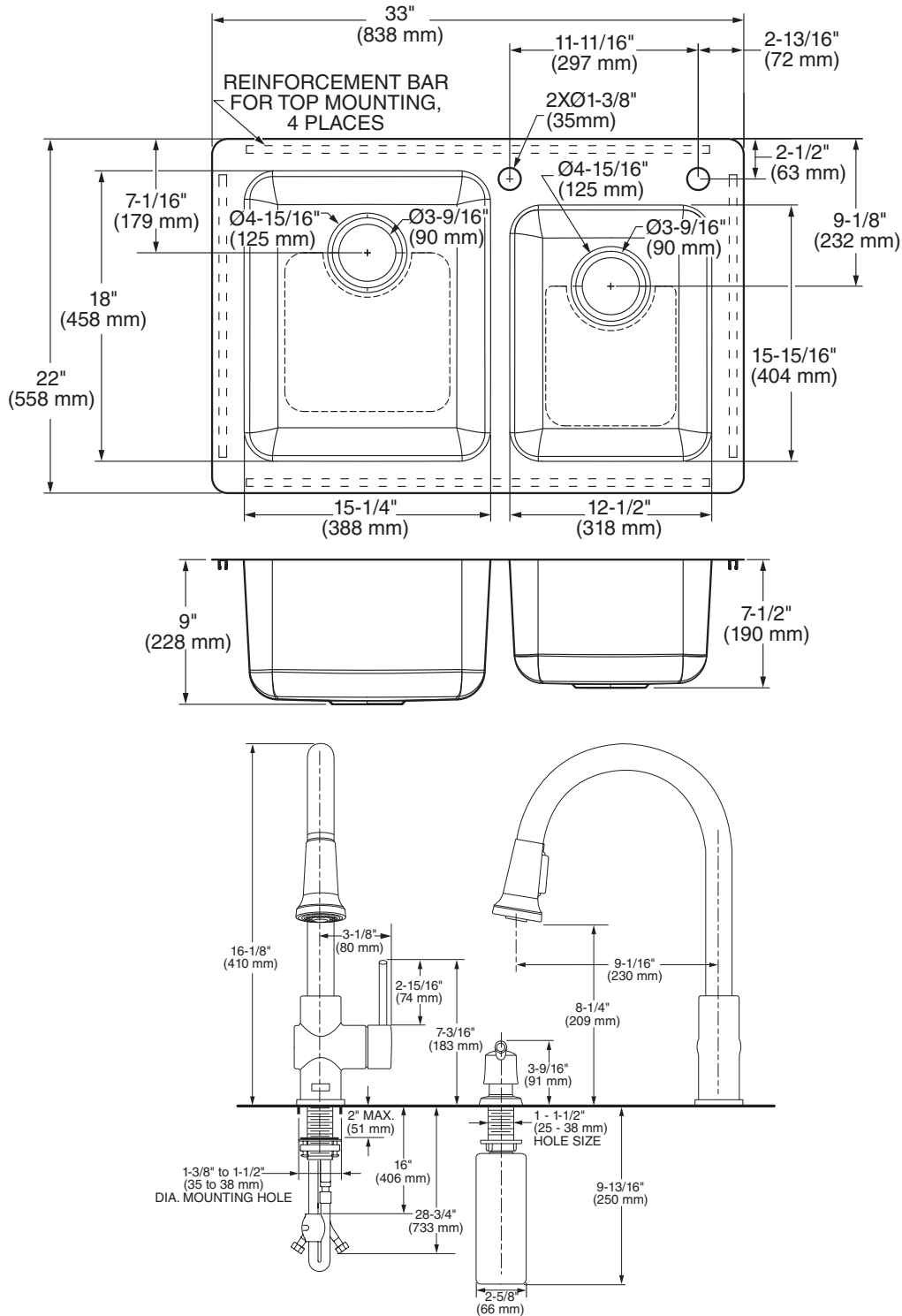
Suggested Specifications:

- Color: Stainless Steel .075
- Faucet Finish: Stainless Steel .075
- Waste Fitting Finish: Stainless Steel .075
- Supplies: 1/2" (13mm) IPS Inlets

**Compliance Certifications - Meets or Exceeds
the Following Specifications:**

- **SINK:**
ASME A112.19.3
- **FAUCET:**
ASME A112.18.1
CSA B125.1
NSF 61/Section 9
NSF 372

MONTVALE™ 33 x 22 STAINLESS STEEL KITCHEN SINK KIT
18 GAUGE STAINLESS STEEL



NOTES:
WE RECOMMEND USING BASIN AS A TEMPLATE TO DETERMINE PROPER CONTOUR. CUT COUNTERTOP 38MM (1-1/2") INSIDE BASIN CONTOUR.
* DIMENSIONS SHOWN FOR LOCATION OF SUPPLIED AND "P" TRAP ARE SUGGESTED.
SEALING COMPOUND SUPPLIED BY OTHERS.

IMPORTANT: Dimensions of fixtures are nominal and may vary within the range of tolerances established by ANSI Standard A112.19.3. These measurements are subject to change or cancellation. No responsibility is assumed for use of superseded or voided pages.