



**GENERAL DESCRIPTION:**

Cast brass valve body. Washerless 47mm ceramic disc valve cartridge with temperature control. Hot limit safety stop. Pressure balancing cartridge maintains constant output temperature in response to changes in relative hot and cold supply pressures. 1/2" female I.P.S. inlets/outlets. Easy clean showerhead has 2.0gpm/ 7.6L/min. flow restrictor. Metal lever handle. Rough-in plaster guard designed for use as thin-wall mounting adaptor. I.P.S. diverter tub spout.

**PRODUCT FEATURES:**

**Solid Brass Construction:** Durable, ideal material for prolonged contact with water.

**Ceramic Disc Valve Cartridge:** Assures a lifetime of smooth handle operation and drip-free performance.

**Pressure Balancing Valve:** Maintains output temperature in response to changes in relative hot and cold supply pressure. Diaphragm system engineered to eliminate cross flow and spool "thumping". Avoids failure due to mineral deposits - ideal for use with hard water.

**Adjustable Hot Limit Safety Stop:** Limits the amount of hot water allowed to mix with cold. Reduces the risk of accidental scalding.

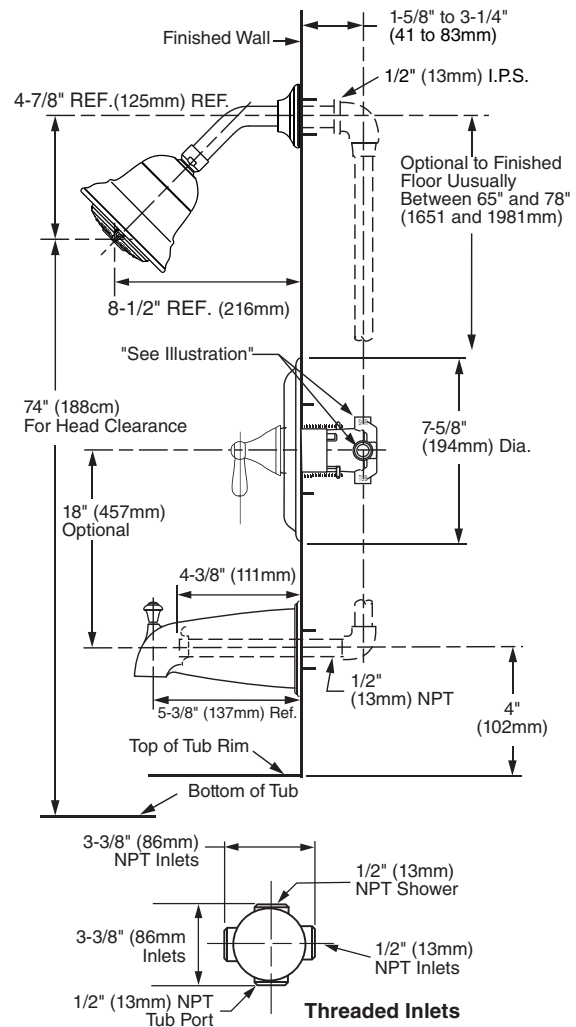
**Integral Plaster Guard and Mounting Plate:** Plaster guard designed to protect valve during installation and to serve as a mounting plate for thin wall installations.

**Lifetime Warranty on Function and Finish.**

**MODEL NUMBER:**

☐ **7761 Pressure Balance Tub and Shower Set**  
 Easy Clean showerhead. I.P.S. diverter tub spout. Polished Chrome finish. SKU# 133-785.

☐ **7761EB Pressure Balance Tub and Shower Set**  
 Easy Clean showerhead. I.P.S. diverter tub spout. Estate Bronze finish. SKU# 1000-001-575.



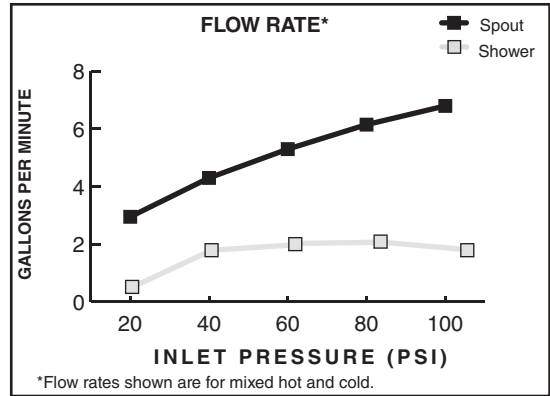
**SUGGESTED SPECIFICATION:**

Bath/shower fitting shall be cast brass construction. Easy clean showerhead and I.P.S. diverter tub spout. Fitting shall be equipped with pressure balancing cartridge engineered to eliminate cross flow and avoid failure due to mineral deposits. Fitting shall be equipped with a pressure balancing mechanism and hot limit safety stop. Fitting shall be American Standard Model# 7761, SKU# 133-785. Model# 7761EB, SKU# 1000-001-575.


**CODES AND STANDARDS**

These products meet or exceed the following codes and standards:

- ANSI A117.1**
- ASME A112.18.1**
- CSA B 125**
- ASSE 1016**



Product Number	Description
7761	Pressure balance tub/shower. Female I.P.S. inlets/outlets. Easy clean showerhead. I.P.S. diverter tub spout. Polished Chrome finish. SKU# 133-785.
7761EB	Pressure balance tub/shower. Female I.P.S. inlets/outlets. Easy clean showerhead. I.P.S. diverter tub spout. Estate Bronze finish. SKU# 1000-001-575.

 Meets the American Disabilities Act Guidelines and **ANSI A117.1** Requirements for the physically challenged.