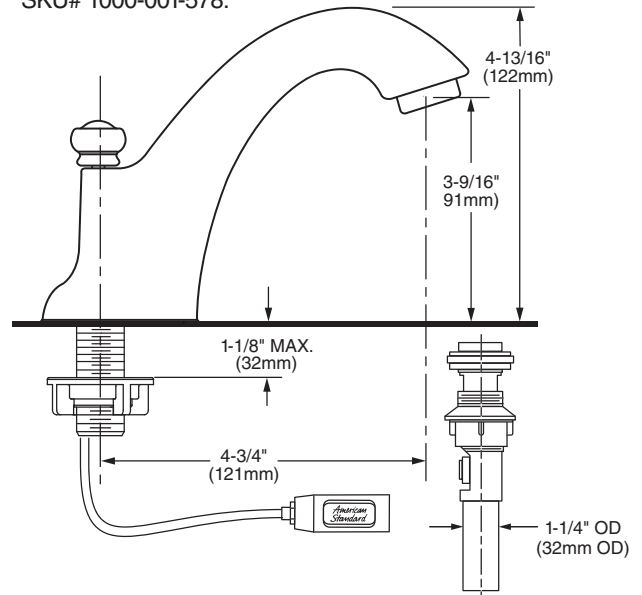


MODEL NUMBER:

- ❑ **7764F Centerset Lavatory Faucet**
Speed Connect® pre-assembled drain.
Metal lever handles. Polished Chrome finish.
SKU# 244-788.
- ❑ **7764SF Centerset Lavatory Faucet**
Speed Connect® pre-assembled drain.
Metal lever handles. Satin Nickel (PVD) finish.
SKU# 621-122.
- ❑ **7764EBF Centerset Lavatory Faucet**
Speed Connect® pre-assembled drain.
Metal lever handles. Estate Bronze finish.
SKU# 1000-001-578.



GENERAL DESCRIPTION:

Centerset lavatory faucet on 4" centers. 1/4 turn washerless ceramic disc valve cartridges. Durable cast brass waterways with one-half inch male inlet shanks. Metal body. Metal lever handles. 20" (500mm) long flexible stainless steel drain cable is pre-assembled to faucet body. Speed Connect® pre-assembled drain body with 1-1/4 inch (32mm) tail piece. 1.5gpm/5.7L/min. maximum flow rate.

PRODUCT FEATURES:

Speed Connect® Drain:

- 1/3 the parts, installs in 1/3 the time.
- No tools or plumbers putty required for installation.
- No adjustments required - seals the first time, every time.
- Flexible stainless steel cable - installs effortlessly in tight spaces.

Simple Installation: Fast and easy one person installation. Faucet drops in from top. Speed Connect® Nuts push up and hand-turn to tighten.

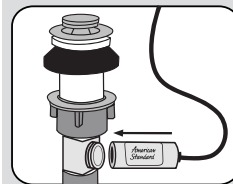
Ceramic Disc Valve Cartridges: Assures a lifetime of drip-free performance.

Lead Free: Faucet contains ≤ 0.25% total lead content by weighted average.

SUGGESTED SPECIFICATION:

Dual control 4" centerpiece lavatory faucet shall feature a cast brass waterway. Shall also feature 1/4 turn washerless ceramic disc valve cartridges. Shall also feature a drain body with stainless steel cable actuation. Fitting shall be American Standard Model# 7764F, SKU# 244-788. Model# 7764SF, SKU# 621-122. Model# 7764EBF, SKU# 1000-001-578.

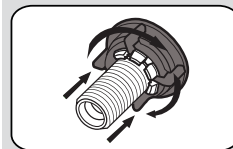
No-Tools Speed Connect® Installation System



Speed Connect® Pre-Assembled Drain:
Maintenance-free, never needs adjusting



Only 4 Parts VS.
Ordinary drain, up to 14 parts



Speed Connect® Nuts:
Push up and hand-turn to tighten

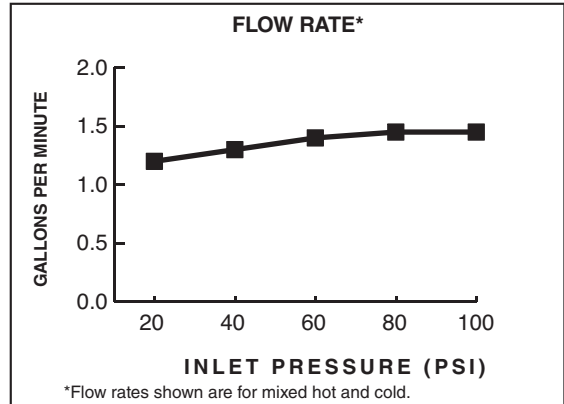


MARQUETTE® DUAL CONTROL CENTERSET BATH FAUCET

CODES AND STANDARDS

These products meet or exceed the following codes and standards:

- ANSI A117.1
- ASME A112.18.1
- CSA B125
- NSF 61/Section 9



Product Number	Description
7764F	Centerset lavatory. Lever handles. Speed Connect® pre-assembled drain. Polished Chrome finish. SKU# 244-788.
7764SF	Centerset lavatory. Lever handles. Speed Connect® pre-assembled drain. Satin Nickel (PVD) finish. SKU# 621-122.
7764EBF	Centerset lavatory. Lever handles. Speed Connect® pre-assembled drain. Estate Bronze finish. SKU# 1000-001-578.

 Meets the American Disabilities Act Guidelines and **ANSI A117.1** Requirements for the physically challenged.