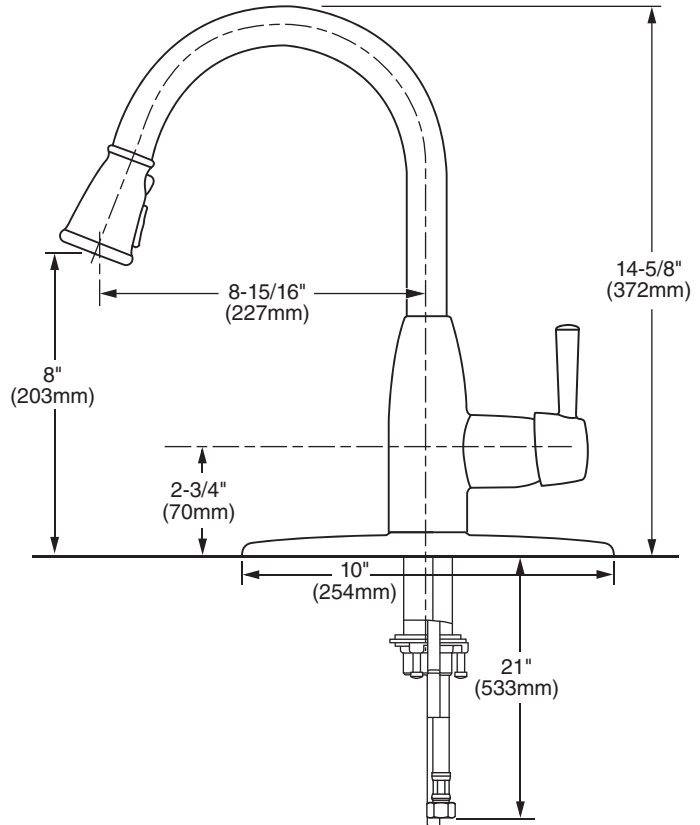




**MODEL NUMBER:**

- 9012.301.002 Pull Down Kitchen Faucet**  
Polished Chrome finish.
- 9012.301.075 Pull Down Kitchen Faucet**  
Stainless Steel (PVD) finish.



**GENERAL DESCRIPTION:**

Zinc diecast body with brass swivel spout and metal lever handle. Pull-down spray with adjustable spray pattern and push button activation. Metal reinforced hose. Washerless 40mm ceramic disc valve cartridge. Complete with two integral check valves. Braided flexible supply hoses with 3/8" compression connectors. 1.8 gpm/6.8Lmin. maximum flow rate.

**PRODUCT FEATURES:**

**Ceramic Disc Valve Cartridge:** Assures smooth, precise valve control and a lifetime of drip-free, maintenance-free performance.

**Brass Construction:** Highest quality materials for durability & long life.

**Memory Position Valving:** Allows user to turn valve on and off at preferred temperature setting without readjusting handle position each time.

**Lead Free:** Faucet contains ≤ 0.25% total lead content by weighted average.

**Pull-down Spray:** Adjustable spray pattern-stream to spray with pause feature.

**Integral Check Valves:** Prevents back flow.

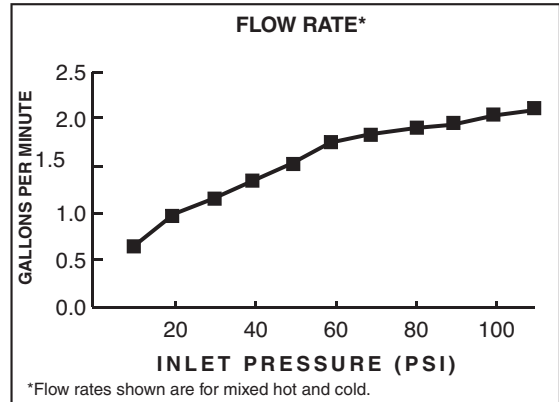
**SUGGESTED SPECIFICATION:**

Single control kitchen faucet shall feature a zinc diecast body with pull-down spray. Shall also feature washerless ceramic disc valve cartridge, flexible supply hoses and two integral check valves. Fitting shall be American Standard Model # 9012.301.\_\_\_\_.


### CODES AND STANDARDS

These products meet or exceed the following codes and standards:

**ANSI A117.1**  
**ASME A112.18.1**  
**NSF 61/Section 9 & Annex G**  
**CSA B125**



Product Number	Description
9012.301.002	Pull-down kitchen faucet. Polished Chrome finish.
9012.301.075	Pull-down kitchen faucet. Polished Chrome finish.

 Meets the American Disabilities Act Guidelines and **ANSI A117.1** Requirements for the physically challenged.