



MODEL: AW40E

SAVE THESE INSTRUCTIONS THIS MANUAL WILL HELP YOU TO OBTAIN EFFICIENT, DEPENDABLE SERVICE FROM THE HEATER, AND ENABLE YOU TO ORDER REPAIR PARTS CORRECTLY. KEEP IN A SAFE PLACE FOR FUTURE REFERENCE.

SAFETY NOTICE: If this heater is not properly installed, a house fire may result. For your safety, follow the installation instructions. Never use make shift compromises during the installation of this heater. Contact local building or fire officials about permits, restrictions and installation requirements in your area.

CAUTION! Please read this entire manual before you install or use your new room heater. Failure to follow instructions may result in property damage, bodily injury, or even death. Improper Installation Could Void Your Warranty!

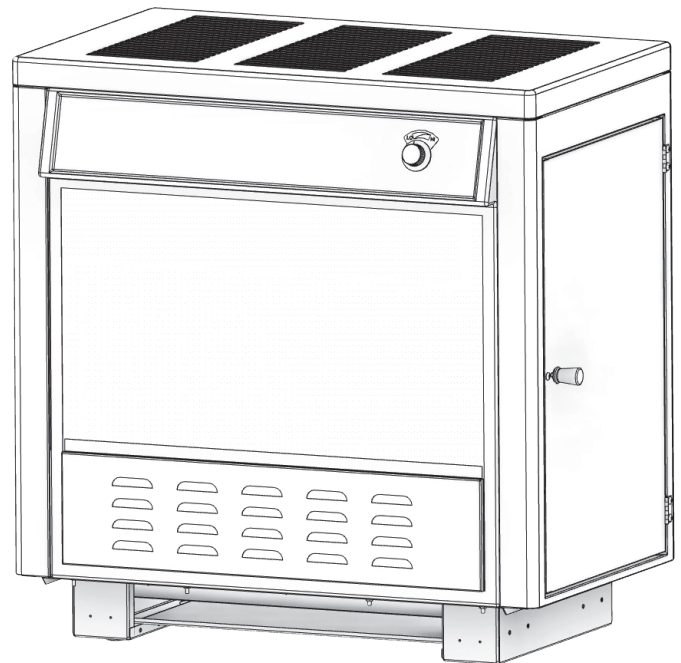
ALL PICTURES SHOWN ARE FOR ILLUSTRATIVE PURPOSES ONLY. ACTUAL PRODUCT MAY VARY DUE TO PRODUCT ENHANCEMENT.

This manual is subject to change without notice.

U.S. Environmental Protection Agency
Certified to comply with 2020
particulate emissions standards.

⚠ CALIFORNIA PROPOSITION 65 WARNING:

This product can expose you to chemicals including carbon monoxide, which is known to the State of California to cause cancer, birth defects and/or other reproductive harm. For more information, go to www.P65warnings.ca.gov



Report #: F20-596

Tested to ALT-125, ASTM E2515,
ASTM E3053 and CSA B415.1-10
Certified to: UL 1482-11 (R2015) and
Certified to: ULC-S627-00
Room Heater, Solid Fuel Type, Also
For Use In Mobile Homes (USA Only)

**UNITED STATES
STOVE CO**
EST[®] 1869

United States Stove Company
227 Industrial Park Rd.,
South Pittsburg, TN 37380
PH: (800) 750-2723
www.usstove.com

853769B-1704J

The instructions pertaining to the installation of your wood stove comply with UL-1482 (R2015) and ULC-S627-00 (R2016) standards. This manual describes the installation and operation of the Ashley, AW40E wood heater. This heater meets the 2020 U.S. Environmental Protection Agency's cordwood emission limits for wood heaters sold after May 15, 2020. Under specific test conditions, this heater has been shown to deliver heat at rates ranging from 17,611 to 48,127 Btu/hr (0.91g/hr and efficiency of 72%). Note: The BTU ratings mentioned above are based on the EPA test protocol under specific test conditions. Our advertised BTU's are based on the first hour of operation at high burn rate burning cordwood.

Combustible:	Wood
Colors:	Metallic Black
Flue Pipe Diameter:	6" (153 mm)
Flue Pipe Type: (Standard Single Wall or Double Wall):	Black or Blued Steel 2100°F (650°C)
Minimum Chimney Height:	12' (3.7 m)
Maximum Log Length:	21" (534 mm)
Dimensions	
Overall: Depth x Width x Height:	21.5" x 32" x 33.5" (547 mm x 813 mm x 864 mm)
Combustion Chamber: Width x Depth:	11-3/8" x 24-3/4" (289 mm x 629 mm)
Volume: Cubic Feet:	2.32 ft ³
Door Opening: Width x Height:	10" x 11-3/8" (854 mm x 289 mm)

CAUTIONS:

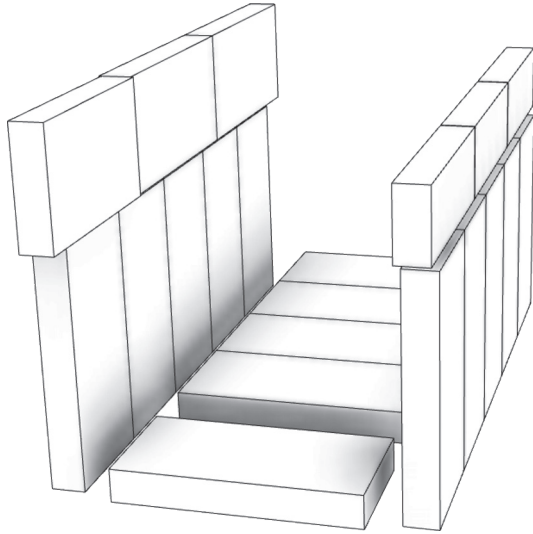
- Hot while in operation. Keep children, clothing and furniture away. Contact may cause skin burns.
- Do not use chemicals or fluids to ignite the fire.
- Do not leave the stove unattended when the door is slightly opened.
- Do not burn garbage, flammable fluid such as gasoline, naphtha or motor oil.
- Do not connect to any air distribution duct or system.
- Always close the door after the ignition.

Note: Register your product on line at www.usstove.com. Save your receipt with your records for any claims.

Assembly Instructions

UNPACK AND INSPECT

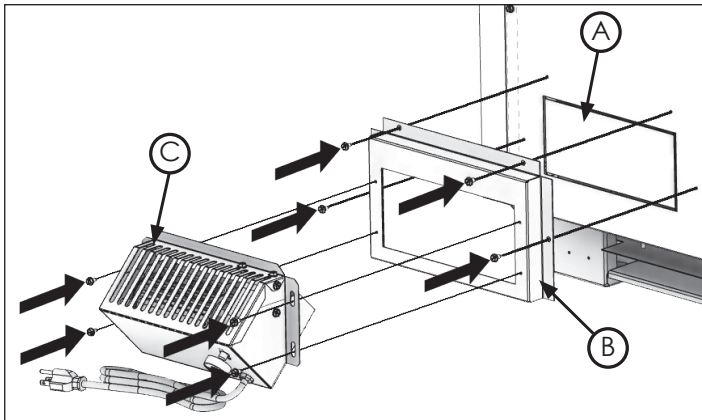
Remove the packing from the appliance and inspect for any damage. Ensure that the bricks are positioned correctly and not broken (see illustration for proper brick arrangement). Make sure that the baffle board, above the air tubes, is in place and undamaged.



BLOWER ASSEMBLY

The blower assembly must be disconnected from the source of electrical supply before attempting the installation.

1. Remove the Panel (A) using tin snips or knock out using a hammer and chisel careful not to distort the mounting surface.
2. Attach the Blower Mounting Box (B) to the rear of the unit using four(4) of the supplied #10 screws.
3. Then mount the Blower Assembly (C) with the four (4) remaining screws.



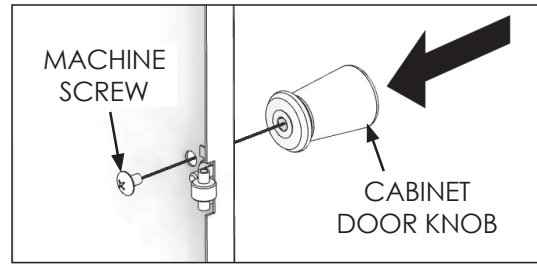
CABINET DOOR KNOB ASSEMBLY

The cabinet door knob is mounted on the inside of the cabinet door for shipping purposes and must be removed and re-installed for proper usage. To get the cabinet door open, place your hand under the cabinet frame (right-hand side of the cabinet door) and pull out on the door.

Follow these instructions for door knob assembly:

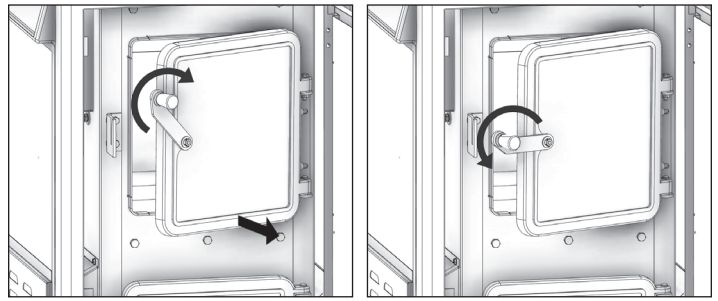
1. Remove the machine screw and the door knob.

2. Place the knob on the outside of the cabinet door, re-install the machine screw and tighten. Be careful not to strip out the threads in the handle.



HANDLE & FEED DOOR OPERATION

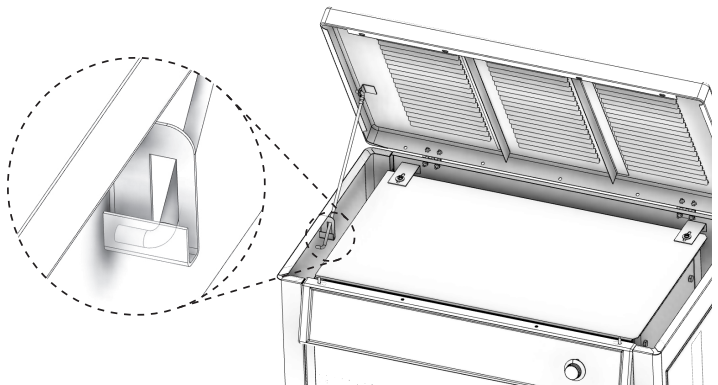
1. Lift the handle up to disengage the latch.
2. Crack open the feed door for approximately 10 seconds to allow excess heat to escape.
3. After approximately 10 seconds lower the handle and continue to pull the door open.



NOTE: During opening and closing of the feed and ash doors of this heater, it may seem that the fit of the door is "too tight". As the heater is fired, the gasketing "settles" or "seats" itself in the door. The tight fit at the factory and before the heater's initial firing is to ensure a good seal after the gasketing "settles".

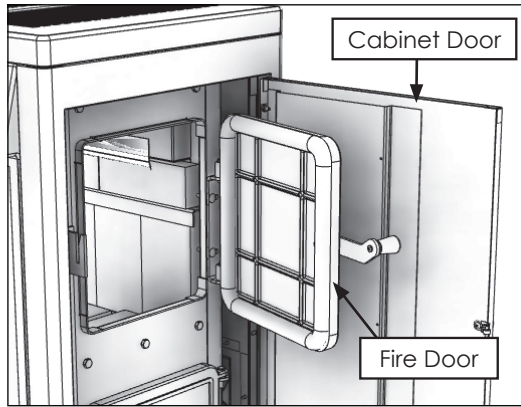
HOW TO OPEN THE TOP LID

CAUTION! DO NOT OPEN OR CLOSE THE TOP WHEN THE HEATER IS HOT! To open, grasp the top at the front or on each corner and lift all the way up until the support rod stops the motion. Then gently lower the top allowing the support rod to settle in the cup, holding the top open. To close, lift the top until the support rod is out of the cup. Pull the rod forward and lower the lid closed.

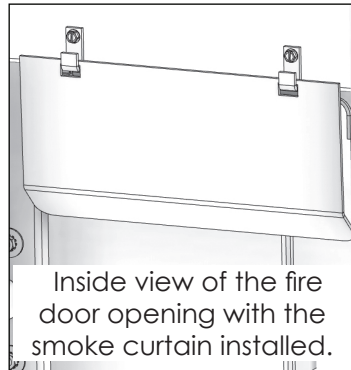


SMOKE CURTAIN INSTALLATION

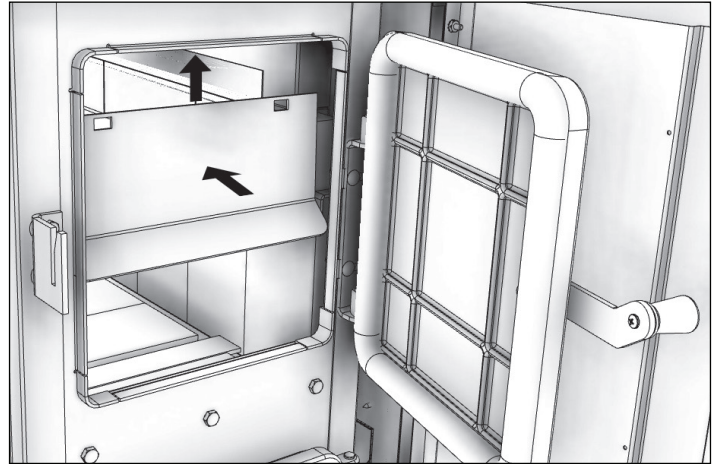
1. Open the cabinet door and the fire door.



2. Locate the two hooks inside the firebox above the fire door opening as shown.



3. Slide the smoke curtain through the fire door and hook into place. Note: the smoke curtain has a bend at the bottom. When placing the smoke curtain into place ensure the bend is facing toward the fire door as shown.



Installation

SAFETY NOTICE

- If this stove is not properly installed, a house fire may result. To reduce the risk of fire, follow the installation instructions.
- Consult your municipal building department or fire officials about permits, restrictions and installations requirements in your area.
- Use smoke detectors in the room where your stove is installed.
- Keep furniture and drapes well away from the stove.
- Never use gasoline, gasoline-type lantern fuel, kerosene, charcoal lighter fluid, or similar liquids to start or "freshen up" a fire in this heater. Keep all such liquids well away from the heater while it is in use.
- In the event of a chimney fire, push the air control full closed to deprive the fire of oxygen. Call the fire department.
- Do not connect to any air distribution duct or system.
- A source of fresh air into the room or space heated shall be provided when required.

POSITIONING THE STOVE

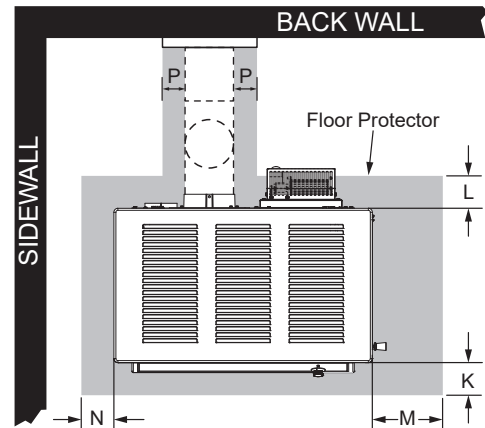
It is very important to position the wood stove as close as possible to the chimney, and in an area that will favour the most efficient heat distribution possible throughout the house. The stove must therefore be installed in the room where the most time is spent, and in the most spacious room possible. Wood stoves produce radiating heat, that is the heat we feel when we are close to a wood stove. A wood stove also functions by convection. Convection is the displacement of hot air accelerated upwards and its replacement with cooler air. If necessary, the hot air distribution from the stove may be facilitated by the installation of a blower. The wood stove must not be hooked up to a hot air distribution system since an excessive accumulation of heat may occur. A wood stove must never be installed in a hallway or near a staircase, since it may block the way in case of fire or fail to respect required clearances.

FLOOR PROTECTOR

This heater must have a non-combustible floor protector with a minimum type 1 ember protection extending beneath the heater if the floor is constructed of combustible material. If a floor pad is used, it should be UL listed or equal. The floor protector should be large enough to extend under the stove and beyond each side as indicated. If there is a horizontal run of flue pipe, there needs to be floor protection under it that extends two inches beyond either side of the pipe.

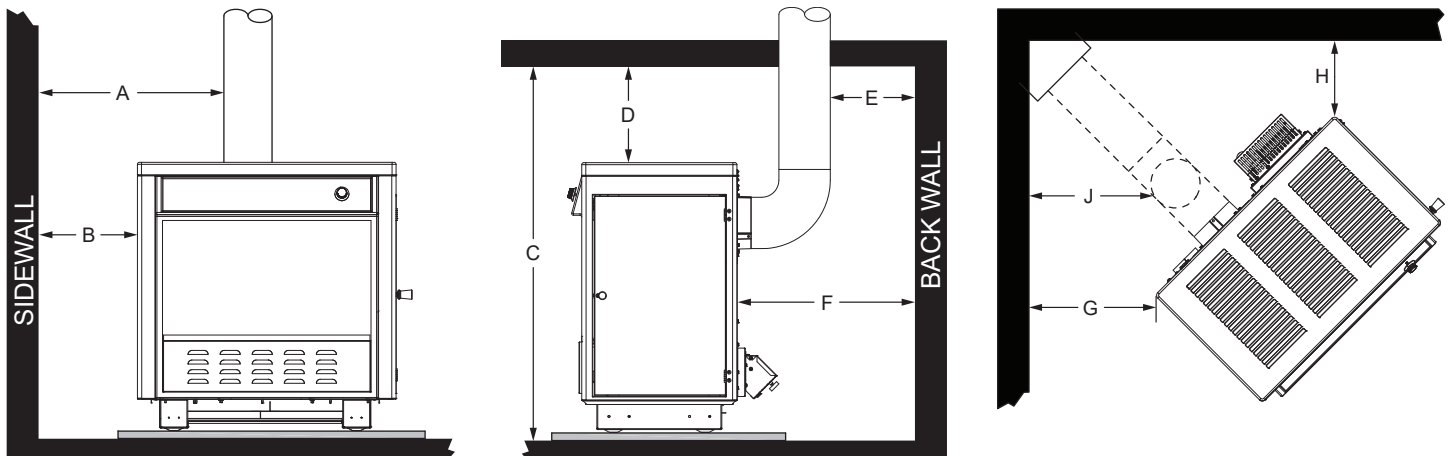
Key		in	mm
K	Front	8	204
L	Rear	8	204
M	Fuel Loading Side	16 (USA) 18 (CAN)	407 (USA) 458 (CAN)
N	Left Side	8	
P	Flue Pipe	2	51

Note: When choosing a location for this unit, make sure there is enough space available to fully open the door.



CLEARANCES TO COMBUSTIBLES

It is of utmost importance that the clearances to combustible materials be strictly adhered to during installation of the stove.



Key		in	mm
A	Sidewall To Flue	23	585
B	Sidewall To Stove	14	356
C	Ceiling Height	84	2134
D	Top Of Stove To Ceiling	50.5	1283
E	Back Wall To Flue	18	458
F	Back Wall To Stove	28	712
G	Wall To Corner (Angled Installation)	18	458
H	Wall To Corner Fuel Loading Side (Angled Installation)	18	458
J	Wall To Flue (Angled Installation)	18	458

- Floor to ceiling height must be at least 7' (2.13 m) in all cases.
- Do not place any combustible material within 4' (1.2 m) of the front of the unit.
- The clearance between the flue pipe and a wall are valid only for vertical walls and for vertical flue pipe.
- The chimney connector must not pass through an attic or roof space, closet or similar concealed space, a floor, or a ceiling.
- For Canadian installations, where passage through a wall, or partition of combustible construction is desired, the installation must conform to CAN/CSA-B365.
- A flue pipe crossing a combustible wall must have a minimum clearance of 18" (458 mm).
- To reduce flue clearances from combustible materials, contact your local safety department.
- The provision that clearances may only be reduced by means approved by regulatory authority

SPECIAL MOBILE HOME REQUIREMENTS (APPROVED FOR USE IN MOBILE HOMES (USA ONLY))

WARNING - DO NOT INSTALL IN A SLEEPING ROOM.

CAUTION - THE STRUCTURAL INTEGRITY OF THE MOBILE HOME FLOOR, WALL, AND CEILING/ROOF MUST BE MAINTAINED.

In addition to the previously detailed installation requirements, mobile home installations must meet the following requirements:

- The space heater is to be connected to a factory-built chimney conforming to UL 103, therefore it must be a Type HT (2100°F).
- The heater must be permanently attached to the floor.
- The heater must be electrically grounded to the steel chassis of the mobile home with 8 ga copper wire using a serrated or star washer to penetrate paint or protective coating to ensure grounding.
- When moving your mobile home, all exterior venting must be removed while the mobile home is being relocated. After relocation, all venting must be reinstalled and securely fastened.
- Outside air is mandatory for mobile home installation. See your dealer for purchasing.
- Check with your local building officials as other codes may apply.
- Only use the specified components listed in this manual for this unit. The use of components that are not meant for this unit can cause unsafe conditions.

COMBUSTION AIR ASSEMBLY INSTRUCTIONS (REQUIRED FOR MOBILE HOME INSTALLATIONS)

This appliance requires a source of combustion air when installed in a mobile home.

If the building this unit is being installed in is of tight construction or has negative pressure problems, an outside source of air is needed. Below is a list of possible indicators that a source of outside combustion air may be required.

- The stove does not draw steadily, smoke rollout occurs, wood burns poorly, or back-drafts occur whether or not there is combustion present.
- Existing fuel-fired equipment in the house, such as fireplaces or other heating appliances, smell, do not operate properly, suffer smoke roll-out when opened, or back-drafts occur whether or not there is combustion present.
- Opening a window slightly on a calm (windless) day alleviates any of the above symptoms.
- The house is equipped with a well-sealed vapor barrier and tight fitting windows and/or has any powered devices that exhaust house air.
- There is excessive condensation on windows in the winter.
- A ventilation system is installed in the house.

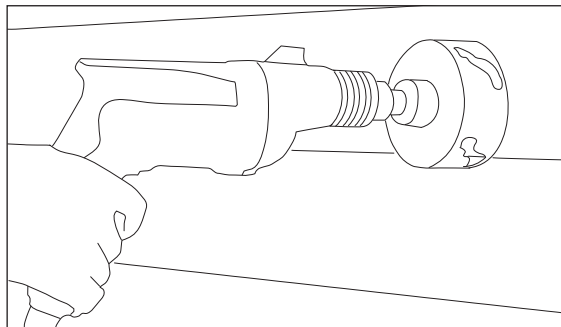
If an outside air intake is required, you may purchase a standard 4" fresh air kit from you local stove dealer.

4FAK INSTALLATION

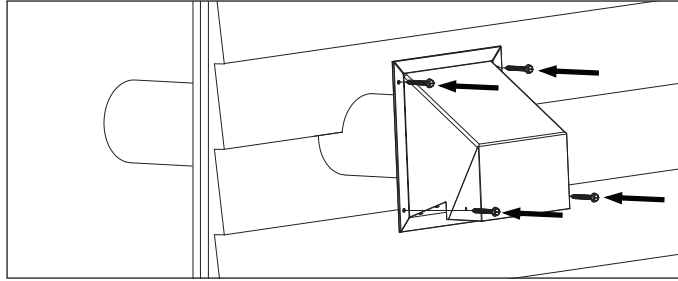
Installation of a fresh air kit is required when installing this stove inside a mobile home. Installation must adhere to all local codes. If after reading these instructions you have any doubt about your ability to complete the installation properly, you must obtain the services of a licensed heating and cooling contractor or certified stove installer.



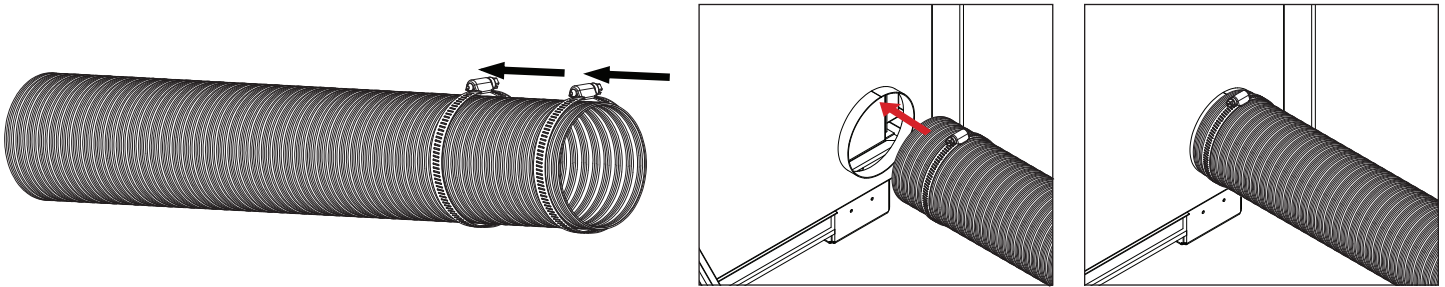
1. With the stove in the operating position, mark and drill a 5" hole through the wall at the desired point of entry. The point of entry should be at or below the level of the intake air tube on the stove.



- Slide the tail portion of the weather hood through the hole. Secure the weather hood with the provided screws at each of the four corners. Caulk around the edges of the hood and screws to seal. This task should be done after the stove has been installed and the exhaust piping routed. Try to position the hole for the air intake as near as possible to the stove.



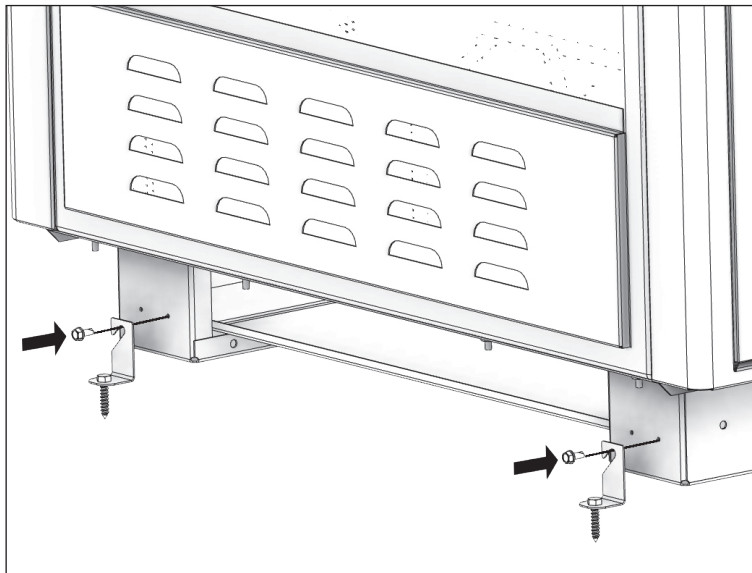
- Slide both hose clamps over the aluminium flex pipe. Then slide the flex pipe over the air intake tube of the stove. Next tighten the hose clamp over the end of the aluminium flex hose.



- Route the flex pipe to the through wall connection and slide the flex pipe over the tail piece. Apply the second hose clamp over the tail piece and tighten.

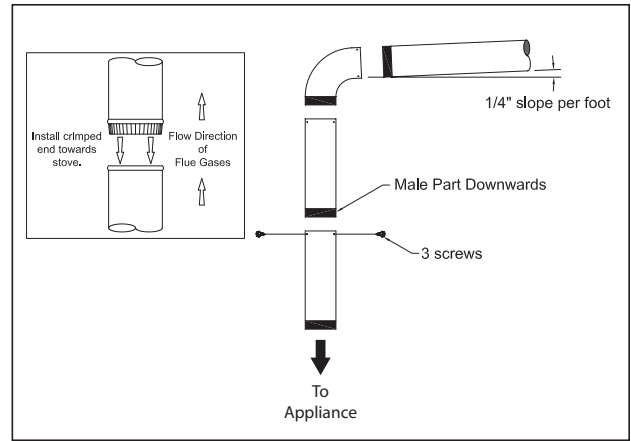
SECURING APPLIANCE TO THE FLOOR

Use the designated holes to secure the unit to the floor as shown.



CHIMNEY CONNECTOR (STOVE PIPE)

Your chimney connector and chimney must have the same diameter as the stove outlet (6"). If this is not the case, we recommend you contact your dealer in order to ensure there will be no problem with the draft. The stove pipe must be made of aluminized or cold roll steel with a minimum thickness of 0.021" or 0.53 mm. It is strictly forbidden to use galvanized steel. Your smoke pipe should be assembled in such a way that the male section (crimped end) of the pipe faces down. Attach each of the sections to one another with three equidistant metal screws. The pipe must be short and straight. All sections installed horizontally must slope at least 1/4 inch per foot, with the upper end of the section toward the chimney. Any installation with a horizontal run of chimney pipe must conform to NFPA 211. You may contact NFPA (National Fire Protection Association) and request the latest edition of the NFPA Standard 211. To ensure a good draft, the total length of the coupling pipe should never exceed 8' to 10' (2.4m to 3.04 m). Except for cases of vertical installation, cathedral-roof style where the smoke exhaust system can be much longer and connected without problem to the chimney at the ceiling of the room. There should never be more than two 90° elbows in the smoke exhaust system. Installation of a "barometric draft stabilizer" (fireplace register) on a smoke exhaust system is prohibited. Furthermore, installation of a draft damper is not recommended. Indeed, with a controlled combustion wood stove, the draft is regulated upon intake of the combustion air in the stove and not at the exhaust.

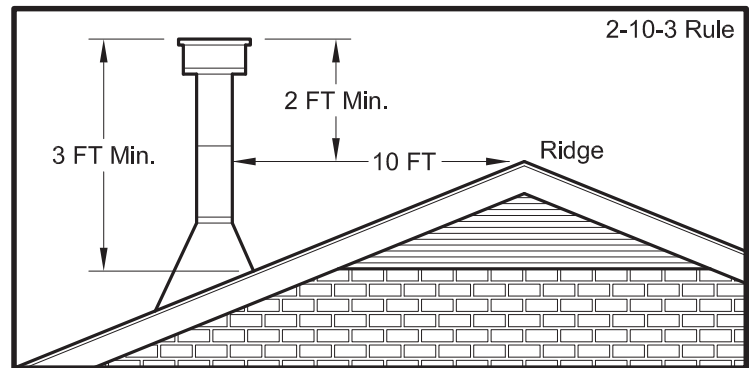


IMPORTANCE OF PROPER DRAFT

Draft is the force which moves air from the appliance up through the chimney. The amount of draft in your chimney depends on the length of the chimney, local geography, nearby obstructions and other factors. Too much draft may cause excessive temperatures in the appliance. Inadequate draft may cause backpuffing into the room and 'plugging' of the chimney. Inadequate draft will cause the appliance to leak smoke into the room through appliance and chimney connector joints. An uncontrollable burn or excessive temperature indicates excessive draft.

CHIMNEY

Take into account the chimney's location to ensure it is not too close to neighbors or in a valley which may cause unhealthy or nuisance conditions. Your wood stove may be hooked up with a 6" factory built or masonry chimney. If you are using a factory built chimney, it must comply with UL 103 or CSA-B365 standard; therefore it must be a Type HT (2100°F). It is extremely important that it be installed according to the manufacturer's specifications. If you are using a masonry chimney, it is important that it be built in compliance with the specifications of the National Building Code. It must be lined with fire clay bricks,

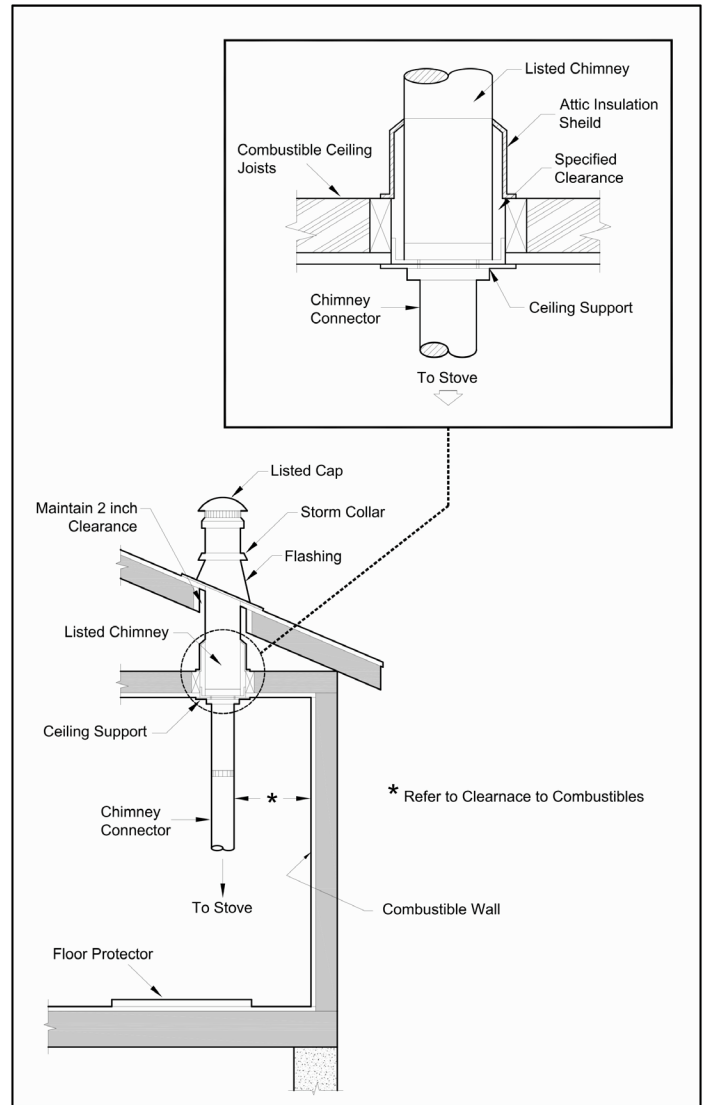
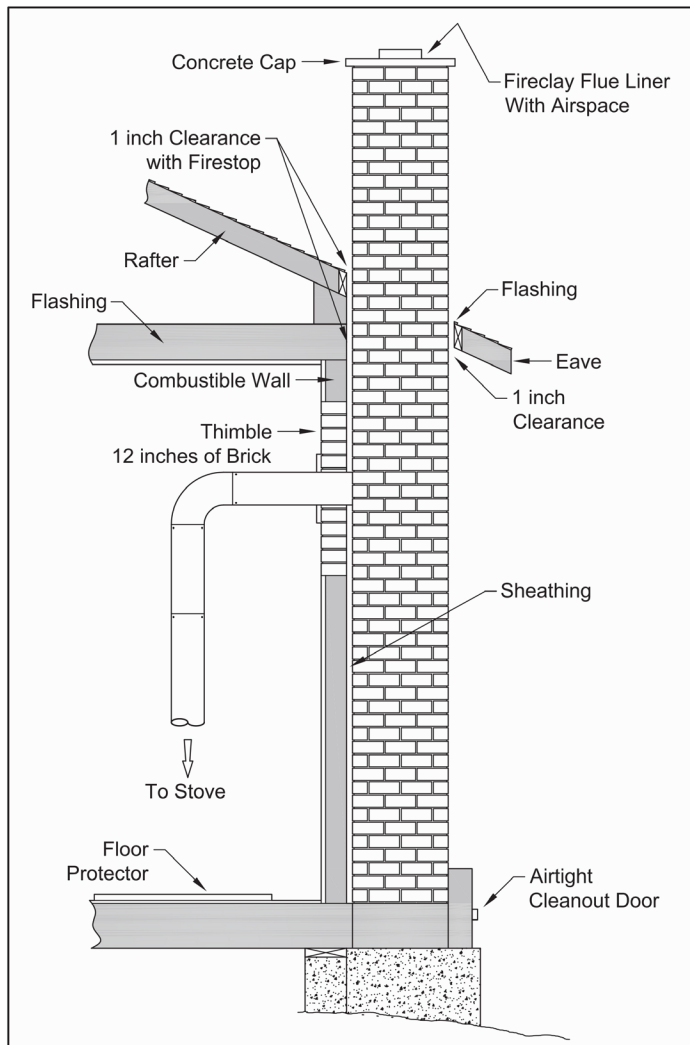


metal or clay tiles sealed together with fire cement. Note: Round flues are the most efficient. The interior diameter of the chimney flue must be identical to the stove smoke exhaust. A flue which is too small may cause draft problems, while a large flue favours rapid cooling of the gas, and hence the build-up of creosote and the risk of chimney fires. Note that it is the chimney and not the stove which creates the draft effect; your stove's performance is directly dependent on an adequate draft from your chimney. The following recommendations may be useful for the installation of your chimney:

- 1. DO NOT CONNECT THIS UNIT TO A CHIMNEY FLUE SERVING ANOTHER APPLIANCE.**
2. It must rise above the roof at least 3' (0.9m) from the uppermost point of contact.
3. The chimney must exceed any part of the building or other obstruction within a 10' (3.04m) distance by a height of 2' (0.6m).
4. Installation of an interior chimney is always preferable to an exterior chimney. Indeed, the interior chimney will, by definition, be hotter than an exterior chimney, being heated up by the ambient air in the house. Therefore the gas which circulates will cool more slowly, thus reducing the build-up of creosote and the risk of chimney fires.
5. The draft caused by the tendency for hot air to rise will be increased with an interior chimney.
6. Using a fire screen at the extremity of the chimney requires regular inspection in order to ensure that it is not obstructed thus blocking the draft, and it should be cleaned when used regularly.

FACTORY BUILT CHIMNEY

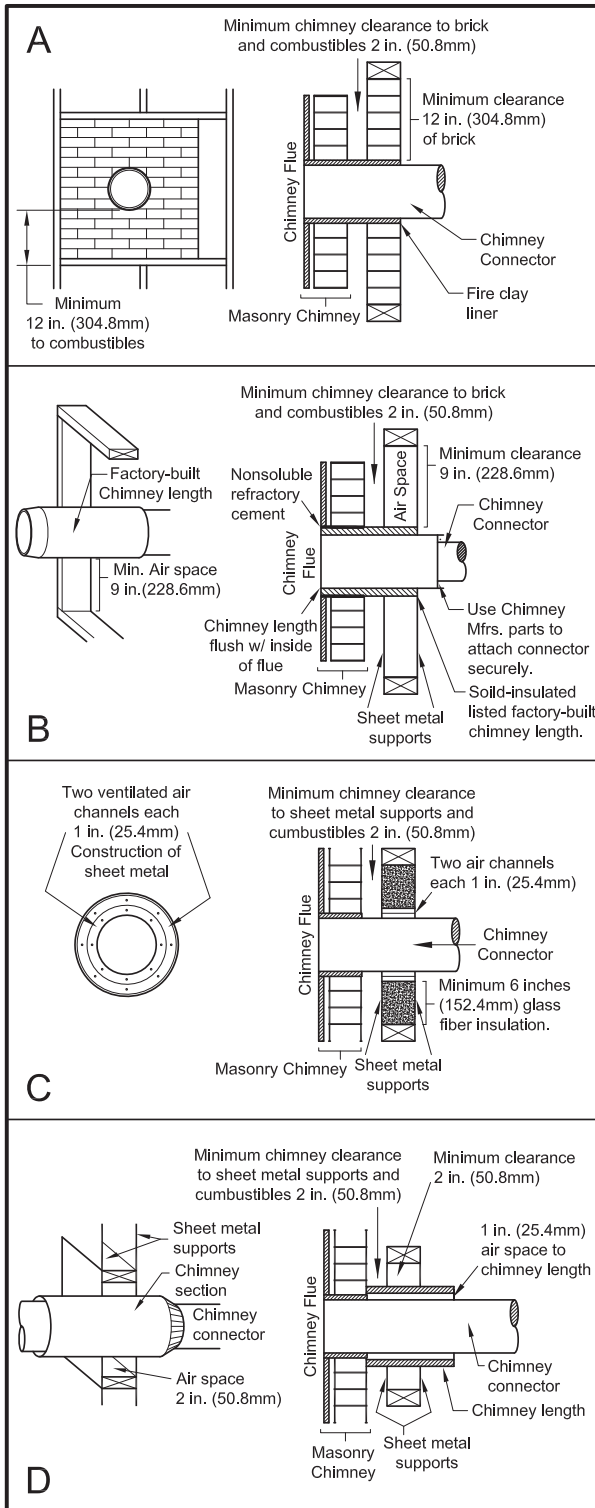
When a metal prefabricated chimney is used, the manufacturer's installation instructions must be followed. You must also purchase (from the same manufacturer) and install the ceiling support package or wall pass-through and "T" section package, firestops (where needed), insulation shield, roof flashing, chimney cap, etc. Maintain proper clearance to the structure as recommended by the manufacturer. The chimney must be the required height above the roof or other obstructions for safety and proper draft operation.



MASONRY CHIMNEY

Ensure that a masonry chimney meets the minimum standards of the National Fire Protection Association (NFPA) by having it inspected by a professional. Make sure there are no cracks, loose mortar or other signs of deterioration and blockage. Have the chimney cleaned before the stove is installed and operated. When connecting the stove through a combustible wall to a masonry chimney, special methods are needed.

COMBUSTIBLE WALL CHIMNEY CONNECTOR PASS-THROUGHS



Method A. 12" (304.8 mm) Clearance to Combustible Wall Member: Using a minimum thickness 3.5" (89 mm) brick and a 5/8" (15.9 mm) minimum wall thickness clay liner, construct a wall pass-through. The clay liner must conform to ASTM C315 (Standard Specification for Clay Fire Linings) or its equivalent. Keep a minimum of 12" (304.8 mm) of brick masonry between the clay liner and wall combustibles. The clay liner shall run from the brick masonry outer surface to the inner surface of the chimney flue liner but not past the inner surface. Firmly grout or cement the clay liner in place to the chimney flue liner.

Method B. 9" (228.6 mm) Clearance to Combustible Wall Member: Using a 6" (152.4 mm) inside diameter, listed, factory-built Solid-Pak chimney section with insulation of 1" (25.4 mm) or more, build a wall pass-through with a minimum 9" (228.6 mm) air space between the outer wall of the chimney length and wall combustibles. Use sheet metal supports fastened securely to wall surfaces on all sides, to maintain the 9" (228.6 mm) air space. When fastening supports to chimney length, do not penetrate the chimney liner (the inside wall of the Solid-Pak chimney). The inner end of the Solid-Pak chimney section shall be flush with the inside of the masonry chimney flue, and sealed with a non-water soluble refractory cement. Use this cement to also seal to the brick masonry penetration.

Method C. 6" (152.4 mm) Clearance to Combustible Wall Member: Starting with a minimum 24 gage (.024" [.61 mm]) 6" (152.4 mm) metal chimney connector, and a minimum 24 gage ventilated wall thimble which has two air channels of 1" (25.4 mm) each, construct a wall pass-through. There shall be a minimum 6" (152.4 mm) separation area containing fiberglass insulation, from the outer surface of the wall thimble to wall combustibles. Support the wall thimble, and cover its opening with a 24-gage minimum sheet metal support. Maintain the 6" (152.4 mm) space. There should also be a support sized to fit and hold the metal chimney connector. See that the supports are fastened securely to wall surfaces on all sides. Make sure fasteners used to secure the metal chimney connector do not penetrate chimney flue liner.

Method D. 2" (50.8mm) Clearance to Combustible Wall Member: Start with a solid-pak listed factory built chimney section at least 12" (304 mm) long, with insulation of 1" (25.4 mm) or more, and an inside diameter of 8" (2 inches [51 mm] larger than the 6" [152.4 mm] chimney connector). Use this as a pass-through for a minimum 24-gauge single wall steel chimney connector. Keep solid-pak section concentric with and spaced 1" (25.4 mm) off the chimney connector by way of sheet metal support plates at both ends of chimney section. Cover opening with and support chimney section on both sides with 24 gage minimum sheet metal supports. See that the supports are fastened securely to wall surfaces on all sides. Make sure fasteners used to secure chimney flue line.

NOTES:

1. Connectors to a masonry chimney, excepting method B, shall extend in one continuous section through the wall pass-through system and the chimney wall, to but not past the inner flue liner face.
2. A chimney connector shall not pass through an attic or roof space, closet or similar concealed space, or a floor or ceiling.

Fuel Recommendations

WOODSTOVE UTILIZATION

Your heating appliance was designed to burn wood only; no other materials should be burned. Waste and other flammable materials should not be burned in your stove. Any type of wood may be used in your stove, but specific varieties have better energy yields than others. Please consult the following table in order to make the best possible choice.

TYPE	WEIGHT (LBS. CU. FT., DRY)	PER CORD	EFFICIENCY RANKING	SPLITS	MILLIONS BTU's/ CORD
Hickory	63	4500	1.0	Well	31.5
White Oak	48	4100	.9	Fair	28.6
Red Oak	46	3900	.8	Fair	27.4
Beech	45	3800	.7	Hard	26.8
Sugar Maple	44	3700	.6	Fair	26.2
Black Oak	43	3700	.6	Fair	25.6
Ash	42	3600	.5	Well	25.0
Yellow Birch	40	3400	.4	Hard	23.8
Red Maple	38	3200	.3	Fair	22.6
Paper Birch	37	3100	.3	Easy	22.1
Elm/Sycamore	34	2900	.2	Very Difficult	20.1
Red Spruce	29	1800	.1	Easy	16.1

It is EXTREMELY IMPORTANT that you use DRY WOOD only in your wood stove. The wood should have dried for 9 to 15 months, such that the humidity content (in weight) is reduced below 20% of the weight of the log. It is very important to keep in mind that even if the wood has been cut for one, two, or even more years, it is not necessarily dry, if it has been stored in poor conditions. Under extreme conditions it may rot instead of drying. This point cannot be over stressed; the vast majority of the problems related to the operation of a wood stove is caused by the fact that the wood used was too damp or had dried in poor conditions. These problems can be:

- ignition problems
- creosote build-up causing chimney fires
- low energy yield
- blackened windows
- incomplete log combustion

Smaller pieces of wood will dry faster. All logs exceeding 6" in diameter should be split. The wood should not be stored directly on the ground. Air should circulate through the cord. A 24" to 48" air space should be left between each row of logs, which should be placed in the sunniest location possible. The upper layer of wood should be protected from the element but not the sides.

TESTING YOUR WOOD

- When the stove is thoroughly warmed, place one piece of split wood (about five inches in diameter) parallel to the door on the bed of red embers.
- Keep the air control full open and close the door. If ignition of the piece is accomplished within 90 seconds from the time it was placed in the stove, your wood is correctly dried. If ignition takes longer, your wood is damp.
- If your wood hisses and water or vapor escapes at the ends of the piece, your wood is soaked or freshly cut (green). Do not use this wood in your stove. Large amounts of creosote could be deposited in your chimney, creating potential conditions for a chimney fire.

Operating Instructions

CAUTIONS: HOUSE FIRE HAZARDS

- Do not store wood on floor protector, underneath stovepipe(s) if applicable, or anywhere within clearances to combustible surfaces specified for this appliance.
- Never operate with secondary tubes, fiber board, or insulation removed.

OPERATING SAFETY PRECAUTIONS

- Never overfire this appliance by building excessively hot fires as a house/building fire may result. You are overfiring the appliance if it begins to glow or turn red.
- Never build excessively large fires in this type of appliance as damage to the firebox or smoke leakage may result.
- Hot while in operation. Keep children, clothing, and furniture away. Contact may cause skins burns. Do not touch the appliance until it has cooled.
- Provide adequate air for combustion to the room where the appliance is installed.
- Inspect chimney liner every 60 days. Replace liner immediately if it is rusting or leaking smoke into the room.
- Attempts to achieve heat output rates that exceed heater design specifications can result in permanent damage to the heater.

WARNING: EXPLOSION HAZARD

- Never use chemicals, gasoline, gasoline-type lantern fuel, kerosene, charcoal lighter fluid, or similar flammable liquids to start or "freshen up" a fire in the appliance.
- Keep all flammable liquids, especially gasoline, out of the vicinity of the appliance - whether in use or in storage.

This heater is designed to burn natural wood only. Higher efficiencies and lower emissions generally result when burning air dried seasoned hardwoods, as compared to softwoods or to green or freshly cut hardwoods. DO NOT BURN:

1. Garbage;
2. Lawn clippings or yard waste;
3. Materials containing rubber, including tires;
4. Materials containing plastic;
5. Waste petroleum products, paints or paint thinners, or asphalt products;
6. Materials containing asbestos;
7. Construction or demolition debris;
8. Railroad ties or pressure-treated wood;
9. Manure or animal remains;
10. Salt water driftwood or other previously salt water saturated materials;
11. Unseasoned wood; or
12. Paper products, cardboard, plywood, or particleboard. The prohibition against burning these materials does not prohibit the use of fire starters made from paper, cardboard, saw dust, wax and similar substances for the purpose of starting a fire in an affected wood heater.

Burning these materials may result in release of toxic fumes or render the heater ineffective and cause smoke. Dead wood lying on the forest floor should be considered wet, and requires full seasoning time. Standing dead wood can usually be considered to be about 2/3 seasoned. Splitting and stacking wood before it is stored accelerates drying time. Storing wood on an elevated surface from the ground and under a cover or covered area from rain or snow also accelerates drying time. A good indicator if wood is ready to burn is to check the piece ends. If there are cracks radiating in all directions from the center then the wood should be dry enough to burn. If your wood sizzles in the fire, even though the surface is dry, it may not be fully cured, and should be seasoned longer.

Do not burn manufactured logs made of wax impregnated sawdust or logs with any chemical additives. Manufactured logs made of 100% compressed sawdust can be burned, but be careful burning too much of these logs at the same time. Start with one manufactured log and see how the stove reacts. You can increase the number of logs burned at a time to making sure the temperature never rises higher than 475°F (246°C) on a magnetic thermometer for installation on single wall stove pipes or 900°F (482°C) on a probe thermometer for installation on double wall stove pipe. The thermometer should be placed about 18" (457 mm) above the stove. Higher temperatures can lead to overheat and damage your stove.



TAMPER WARNING

This wood heater has a manufacturer-set minimum low burn rate that must not be altered. It is against federal regulations to alter this setting or otherwise operate this wood heater in a manner inconsistent with operating instructions in this manual.

EFFICIENCIES

Efficiencies can be based on either the lower heating value (LHV) or the higher heating value (HHV) of the fuel. The lower heating value is when water leaves the combustion process as a vapor, in the case of woodstoves the moisture in the wood being burned leaves the stove as a vapor. The higher heating value is when water leaves the combustion process completely condensed. In the case of woodstoves this would assume the exhaust gases are room temperature when leaving the system, and therefore calculations using this heating value consider the heat going up the chimney as lost energy. Therefore, efficiency calculated using the lower heating value of wood will be higher than efficiency calculated using the higher heating value. The best way to achieve optimum efficiencies is to learn the burn characteristic of your appliance and burn well-seasoned wood. Higher burn rates are not always the best heating burn rates; after a good fire is established a lower burn rate may be a better option for efficient heating. A lower burn rate slows the flow of usable heat out of the home through the chimney, and it also consumes less wood.

Notice: Use solid wood fuel only! Do not burn garbage, or flammable fluids. Do not use coal. This appliance is not designed to accommodate the air flow (draft) required to properly burn coal or coal products. Do not elevate the fire using grates or irons. Build the fire directly on the firebrick.

FUELING INSTRUCTIONS

This wood stove has been certified by the US EPA to meet strict 2020 guidelines. To ensure this unit produces the optimal minimum emissions it is critical that only well-seasoned cordwood is burned (see the "Fuel Recommendations" section of this manual). Burning unseasoned wet wood only hurts your stoves efficiency and leads to accelerated creosote buildup in your chimney. Be considerate of the environment and only burn dry wood.

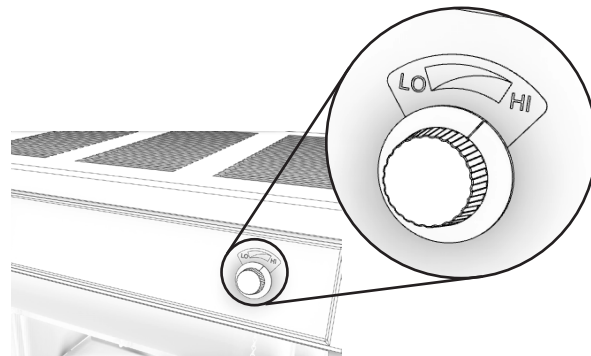
CAUTION: DO NOT LEAVE APPLIANCE UNATTENDED WITH THE DOOR OPEN.

For a cold start-up, place 3 to 4 pieces of newspaper into the firebox. On top of the newspaper, lay 4 lbs of kindling in random placement to ensure airflow through the kindling. On top of the kindling, place approximately 6 lbs of small pieces of cordwood. NOTE: Use smaller pieces of wood during start-up and a high burn rate to increase the stove's temperature.



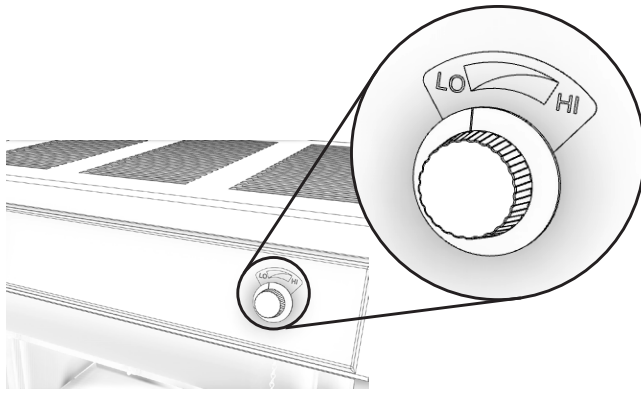
Turn the air control knob to the high position. Light the newspaper, close the door, and allow the kindling to ignite. Once the kindling has burned down to a starter coal bed, load the unit with approximately 24 lbs of fuel for the first high burn load. Close the door immediately.

After the first high burn load and the stove is well warmed up, adjust the unit as needed for a medium or low burn setting.



For a medium burn, once the high burn fuel load is burned down to an established coal bed, load the unit with 27-28 lbs of cordwood and keep the door slightly open for 5 minutes. Leave the air control fully open (in the "HI" position) for 15 minutes. After 15 minutes turn the air control knob to the medium position. The blower can be turned on after 30 minutes.

For a low burn setting once the high burn (or medium) fuel load is burned down to an established coal bed, load the unit with 27-28 lbs of cordwood and keep the door slightly open for 5 minutes. Leave the air control fully open (in the "HI" position) for 15 minutes. After 15 minutes begin to turn the air control knob to the "Low" position. NOTE: Do not close the air too quickly. Closing the air too quickly will cause the unit to smoke.



WARNINGS:

- NEVER OVERFIRE YOUR STOVE. IF ANY PART OF THE STOVE STARTS TO GLOW RED, OVER FIRING IS HAPPENING. READJUST THE AIR INTAKE CONTROL AT A LOWER SETTING.
- THE INSTALLATION OF A LOG CRADLE or GRATES IS NOT RECOMMENDED IN YOUR WOOD STOVE. BUILD FIRE DIRECTLY ON FIREBRICK.
- NEVER PUT WOOD ABOVE THE FIREBRICK LINING OF THE FIREBOX.
- Attempts to achieve heat output rates that exceed heater design specifications can result in permanent damage to the heater.

ADDING FUEL

1. Once you have obtained a good bed of embers, you should reload the unit. To do so, turn the air control knob to high a few seconds before opening the stove's door.
2. Open the door very slowly; open it one or two inches for 5 to 10 seconds, before opening it completely to increase the draft and thus eliminate the smoke which is stagnant in a state of slow combustion in the stove.
3. Rake the glowing embers to the front of the door opening. Add fuel being careful not to overload or overfire the appliance. When adding fuel be careful not to smother the fire. Make sure the embers do not obstruct the air inlet. NOTE: For optimal operation of this unit, it is recommend to operate it with a wood load approximately equivalent to the height of fire bricks. It is important to note that wood combustion consumes ambient oxygen in the room. In the case of negative pressure, it is a good idea to allow fresh air in the room, either by opening a window slightly or by installing a fresh air intake system on an outside wall.
4. Close the feed door and secure tightly.
5. Adjust the air inlet control as described in the "Fueling Instruction" section of this manual.
6. Empty ashes regularly. Do not allow ashes to pile up. Properly dispose of hot ashes (see the "Ash Removal And Disposal" section of this manual).
7. Burn small, intense fires instead of large, slow burning fires when possible. Large slow burning fires can deposit creosote within the heating system.
8. Learn your appliance's operating characteristics to obtain optimum performance.

VISIBLE SMOKE

The amount of visible smoke being produced can be an effective method of determining how efficiently the combustion process is taking place in the given settings. Visible smoke consists of unburned fuel and moisture leaving your stove. Learn to adjust the air settings of your specific unit to produce the smallest amount of visible smoke. Wood that has not been seasoned properly and has a high wood moisture content will produce excess visible smoke and burn poorly.

AIR TUBES

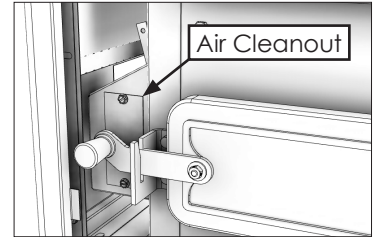
The air tubes assembled in this unit are designed to provide an accurate mix of secondary air to ensure the highest efficiency. Any damage or deterioration of these tubes may reduce the efficiency of combustion. The air tubes are held in position by screws or snap pins. Locate these to either side of the tube and remove it to allow the tube to be removed and replaced.

BLOWER OPERATION

The variable speed blower circulates air warmed by the firebox into the living area to distribute the heat more evenly. The blower control knob is located on the side of the blower housing. Turn the knob clockwise to turn the blower on. The speed is controlled by turning the knob clockwise for slower speeds and counter-clockwise for faster speeds. To turn the blower off, turn the speed control knob fully counter-clockwise. It is recommended to turn the blower off when the unit is not in operation. The blower needs to be removed and air-blown clean. Make sure the blades do not have build up. Caution! Route the Power Supply Cord away from the heat source and out of high traffic areas.

CLEAN OUT MAINTENANCE

Burning unseasoned wet wood only hurts your stoves efficiency and leads to accelerated creosote buildup in your chimney. The clean outs are secured to the firebox with two 5/16" screws. Remove the clean outs and vacuum out any accumulated ash. This should be done at least once per month or more frequently if large amounts of ash are noticed while cleaning or if the stove does not seem to be burning properly. The firing and ash doors must be closed and sealed during operation.



Chimney Maintenance

CAUTION: Do not overfire appliance. You are overfiring if any part of the appliance glows red. Close the door and shut the damper immediately to reduce the air supply and slow down the fire.

CAUTION: Slow burning fires for extended use or burning green wood may cause excessive creosote build-up. Ignition of creosote or overfiring could cause a chimney fire. Chimney fires burn extremely hot and may ignite surrounding combustible materials. In case of a chimney fire, call the fire department immediately!

CREOSOTE FORMATION AND NEED FOR REMOVAL

When wood is burned slowly, it produces tar and other organic vapors, which combine with expelled moisture to form creosote. The creosote vapors condense in the relatively cool chimney flue of a slow-burning fire. As a result, creosote residue accumulates on the flue lining. When ignited this creosote makes an extremely high temper fire. The chimney connector and chimney should be inspected at least once every two months during the heating season to determine if a creosote build-up has occurred. If creosote has accumulated (3 mm or more), it should be removed to reduce the risk of a chimney fire.

We strongly recommend that you install a magnetic thermometer on your smoke exhaust pipe, approximately 18" above the stove. This thermometer will indicate the temperature of your gas exhaust fumes within the smoke exhaust system. The ideal temperature for these gases is somewhere between 275°F and 500°F. Below these temperatures, the build-up of creosote is promoted. Above 500°F, heat is wasted since a too large quantity is lost into the atmosphere.

TO PREVENT CREOSOTE BUILD UP

- Always burn dry wood. This allows clean burns and higher chimney temperatures, therefore less creosote deposit.
- Leave the air control fully open for about 5 minutes every time you reload the stove to bring it back to proper operating temperatures. The secondary combustion can only take place if the firebox is hot enough.
- Always check for creosote deposit once every two months and have your chimney cleaned at least once a year.
- If a chimney or creosote fire occurs, close all dampers immediately. Wait for the fire to go out and the heater to cool, then inspect the chimney for damage. If no damage results, perform a chimney cleaning to ensure no more creosote deposits are remaining in the chimney.

CAUTION: A chimney fire may cause ignition of wall studs or rafters which were assumed to be a safe distance away from the chimney. If a chimney fire occurs, have your chimney inspected by a qualified expert before using again.

ASH REMOVAL & DISPOSAL

Whenever ashes get 3 to 4 inches deep in your firebox or ash pan, remove excess ashes. Leave an ash bed approximately 1 inch deep on the firebox bottom to help maintain a hot charcoal bed. Ashes should be placed in a metal container with a tight-fitting lid. The closed container of ashes should be placed on a non-combustible floor or the ground, away from all combustible materials, pending final disposal. The ashes should be retained in the closed container until all cinders have thoroughly cooled.

CAUTIONS:

- ASHES COULD CONTAIN HOT EMBERS EVEN AFTER TWO DAYS WITHOUT OPERATING THE STOVE.
- THE ASH PAN CAN BECOME VERY HOT. WEAR GLOVES TO PREVENT INJURY.
- NEVER BURN THE STOVE WITH THE ASH TRAP OPEN. THIS WOULD RESULT IN OVER FIRING THE STOVE. DAMAGE TO THE STOVE AND EVEN HOUSE FIRE MAY RESULT.

SMOKE & CO MONITORS

Burning wood naturally produces smoke and carbon monoxide (CO) emissions. CO is a poisonous gas when exposed to elevated concentrations for extended periods. While the modern combustion systems in heaters drastically reduce the amount of CO emitted out the chimney, exposure to the gases in closed or confined areas can be dangerous. Make sure your stove gaskets and chimney joints are in good working order and sealing properly to ensure unintended exposure. It is recommended that you use both smoke and CO monitors in areas having the potential to generate CO.

GASKET CARE

This unit's door uses a 1" diameter rope gasket. It is recommended that you change the door gasket (which makes your stove door air tight) once a year, in order to ensure good control over the combustion, maximum efficiency and security. To change the door gasket, simply remove the damaged one. Carefully clean the available gasket groove, apply a high temperature silicone sold for this purpose, and install the new gasket. You may light up your stove again approximately 24 hours after having completed this operation.

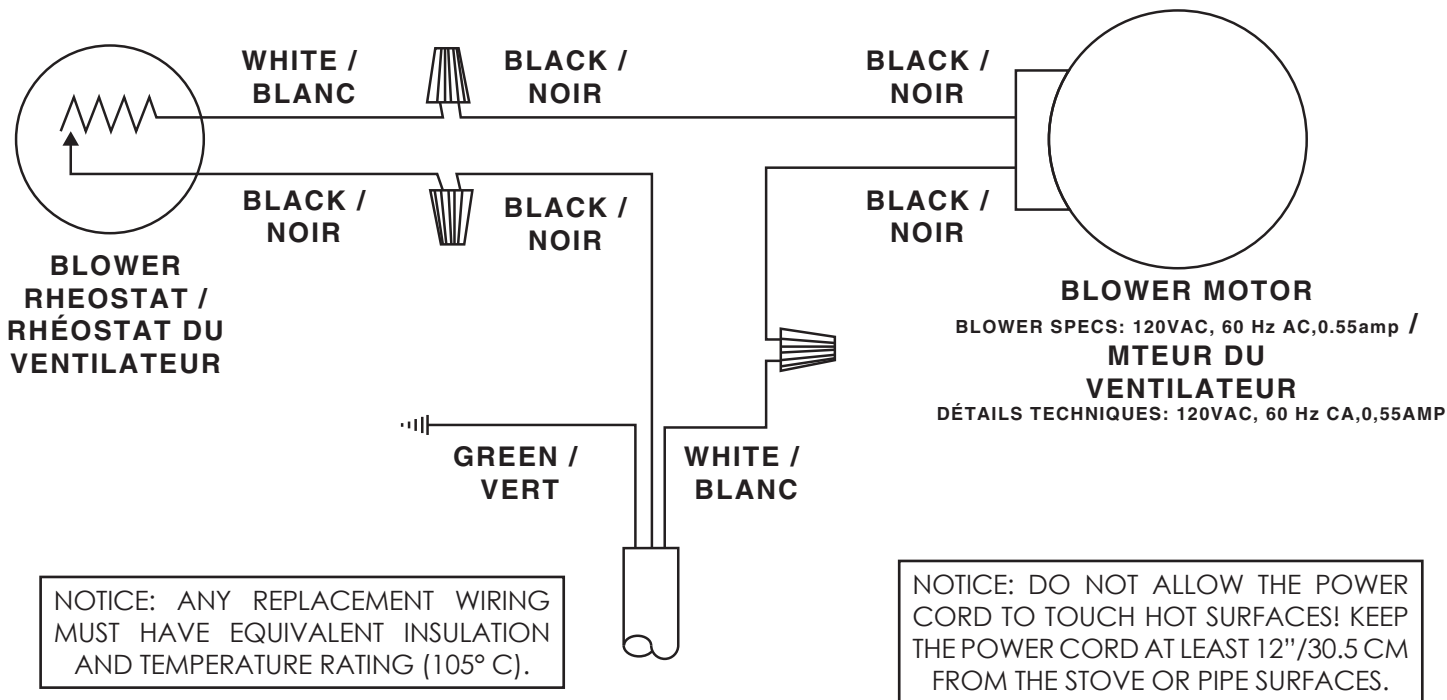
WARNING: NEVER OPERATE THE STOVE WITHOUT A GASKET OR WITH A BROKEN ONE. DAMAGE TO THE STOVE OR EVEN HOUSE FIRE MAY RESULT.

ATTENTION: This wood heater needs periodic inspection and repair for proper operation. It is against federal regulations to operate this wood heater in a manner inconsistent with operating instructions in this manual.

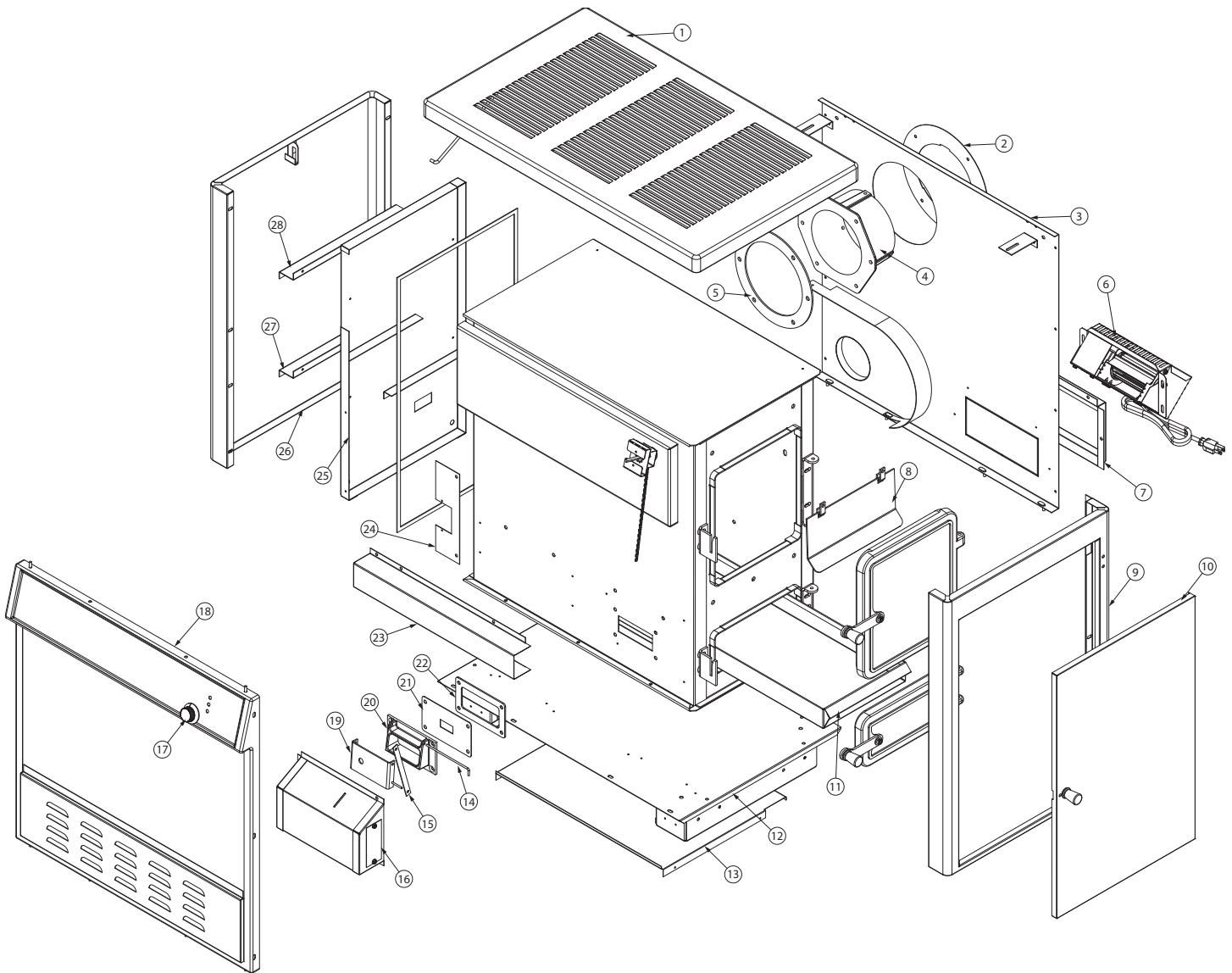
Blower Wiring Diagram

DANGER: SHOCK HAZARD DISCONNECT POWER SOURCE BEFORE INSTALLATION AND WHENEVER SERVICING BLOWER ASSEMBLY.

CAUTION: MOVING PARTS CAN CAUSE INJURY. DO NOT OPERATE WITH COVER REMOVED.



Repair Parts



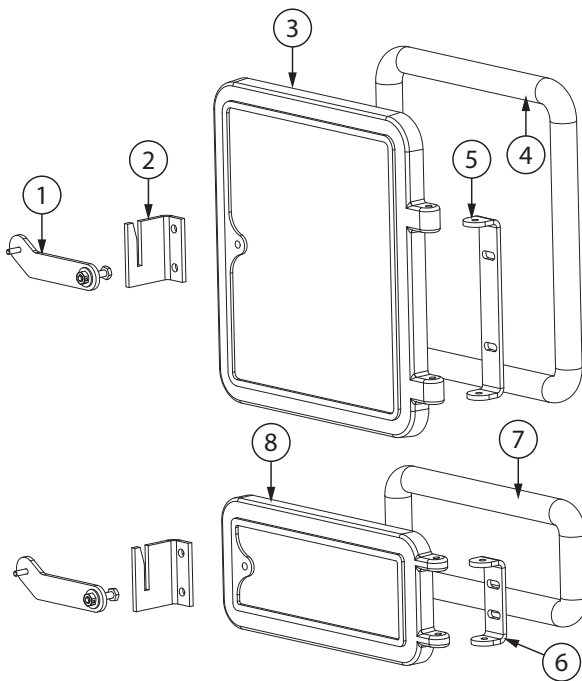
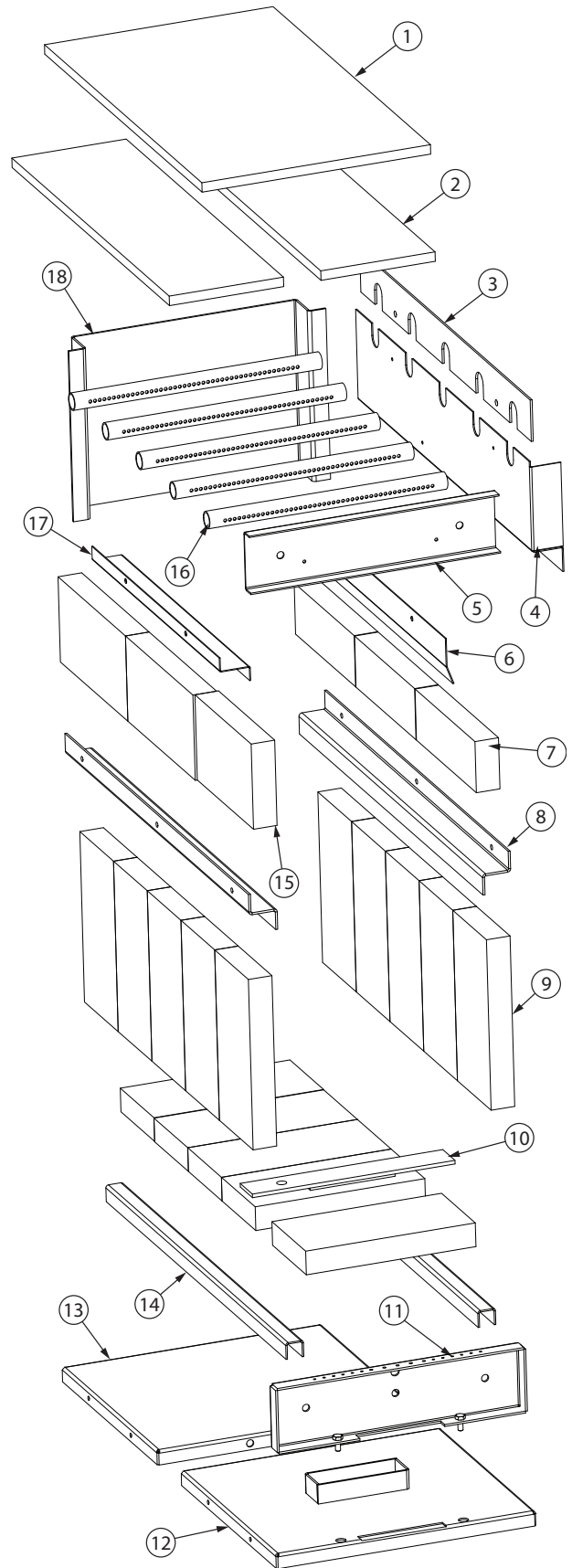
Key	Part #	Description	Qty
1	67966	Cabinet Top Assy	1
2	22761	Flue Collar Ring	1
3	610143	Casing Back	1
4	40246	6" C.I. Flue Collar	1
5	88032	Flue Collar Gasket	1
6	891492	Blower Assembly (B36)	1
7	25598	Blower Mounting Box	1
8	29329	Smoke Curtain	1
9	610508	Right Side Casing	1
10	67969	Cabinet Door Assy.	1
11	67444	Ash Pan Weldment	1
12	67859	Base Weldment	1
13	22110	Heat Shield	1

14	25550	H. Pin Draft Damper	1
15	27469	Damper Arm	1
16	610987	Air Distribution Box Assembly	1
17	89687	Black Thermostat Knob	1
18	610985	Cabinet Front Weldment/Assy.	1
19	611015	Draft Door Weldment	1
20	40075	Draft Door Frame	1
21	29422	Restrictor	1
22	88090	Gasket	1
23	27461	Main Air Channel	1
24	27491	Air Channel Stop	1
25	611018	Secondary Panel Weldment	1
26	67967	Cabinet Left End Assy.	1
27	27467	Bottom Back Spacer	1
28	27466	Top Back Spacer	1

IN ORDER TO MAINTAIN WARRANTY, COMPONENTS MUST BE REPLACED USING ORIGINAL MANUFACTURERS PARTS PURCHASED THROUGH YOUR DEALER OR DIRECTLY FROM THE APPLIANCE MANUFACTURER. USE OF THIRD PARTY COMPONENTS WILL VOID THE WARRANTY.

Repair Parts

Key	Part #	Description	Qty
1	88336	Insulation Blanket	1
2	88335	Baffle Board	2
3	29437	Tube Retainer	1
4	29438	Baffle Side	1
5	27291	Front Liner Top	1
6	29408	Right Retainer	1
7	893285	Firebrick	3
8	27484	Top Brick Rack	2
9	89066A	Pumice Firebrick (4-1/2 X 9)	17
10	610223	Cleanout Cover Weldment	1
11	610227	Primary Air Outlet (Welded)	1
12	610221	Floor (Welded)	1
13	27564	Floor Back	1
14	27472	Brick Spacers	2
15	892945	Pumice Firebrick(4-1/2 X 7-1/2)	1
16	893289	Secondary Tube (13.125")	5
17	29407	Left Retainer	1
18	27478	Rear Brick Spacer	1



Key	Part #	Description	Qty
1	27486	Door Handle	2
2	27462	Door Catch	2
3	40763	Feed Door	1
4	88032	1" Rope Fiber	3.75 ft
5	27489	Fire Door Hinge	1
6	27460	Ash Door Hinge	1
7	88032	1" Rope Fiber	2.5 ft
8	40764	Cast Door	1

IN ORDER TO MAINTAIN WARRANTY, COMPONENTS MUST BE REPLACED USING ORIGINAL MANUFACTURERS PARTS PURCHASED THROUGH YOUR DEALER OR DIRECTLY FROM THE APPLIANCE MANUFACTURER. USE OF THIRD PARTY COMPONENTS WILL VOID THE WARRANTY.

Service Record

It is recommended that your heating system is serviced regularly and that the appropriate Service Interval Record is completed.

SERVICE PROVIDER

Before completing the appropriate Service Record below, please ensure you have carried out the service as described in the manufacturer's instructions. Always use the manufacturer's specified spare part when replacement is necessary.

Service 01	Date: _____
Engineer Name: _____	
License No.: _____	
Company: _____	
Telephone No.: _____	
Stove Inspected: <input type="checkbox"/>	Chimney Swept: <input type="checkbox"/>
Items Replaced: _____	

Service 02	Date: _____
Engineer Name: _____	
License No.: _____	
Company: _____	
Telephone No.: _____	
Stove Inspected: <input type="checkbox"/>	Chimney Swept: <input type="checkbox"/>
Items Replaced: _____	

Service 03	Date: _____
Engineer Name: _____	
License No.: _____	
Company: _____	
Telephone No.: _____	
Stove Inspected: <input type="checkbox"/>	Chimney Swept: <input type="checkbox"/>
Items Replaced: _____	

Service 04	Date: _____
Engineer Name: _____	
License No.: _____	
Company: _____	
Telephone No.: _____	
Stove Inspected: <input type="checkbox"/>	Chimney Swept: <input type="checkbox"/>
Items Replaced: _____	

Service 05	Date: _____
Engineer Name: _____	
License No.: _____	
Company: _____	
Telephone No.: _____	
Stove Inspected: <input type="checkbox"/>	Chimney Swept: <input type="checkbox"/>
Items Replaced: _____	

Service 06	Date: _____
Engineer Name: _____	
License No.: _____	
Company: _____	
Telephone No.: _____	
Stove Inspected: <input type="checkbox"/>	Chimney Swept: <input type="checkbox"/>
Items Replaced: _____	

Service 07	Date: _____
Engineer Name: _____	
License No.: _____	
Company: _____	
Telephone No.: _____	
Stove Inspected: <input type="checkbox"/>	Chimney Swept: <input type="checkbox"/>
Items Replaced: _____	

Service 08	Date: _____
Engineer Name: _____	
License No.: _____	
Company: _____	
Telephone No.: _____	
Stove Inspected: <input type="checkbox"/>	Chimney Swept: <input type="checkbox"/>
Items Replaced: _____	

How To Order Repair Parts

This manual will help you obtain efficient, dependable service from your heater, and enable you to order repair parts correctly.

Keep this manual in a safe place for future reference.

When writing, always give the full model number which is on the nameplate attached to the heater.

When ordering repair parts, always give the following information as shown in this list:

1. The part number _____
2. The part description _____
3. The model number _____
4. The serial number _____

Comment Commander Des Pièces De Rechange

Ce manuel vous aidera à obtenir un service fiable et efficace de votre appareil de chauffage, et vous permettre de commander correctement les pièces de rechange.

Conservez ce manuel dans un endroit sûr pour référence future.

Lors de l'écriture, toujours donner le numéro de modèle complet qui se trouve sur la plaque signalétique fixée sur l'appareil de chauffage.

Lors de la commande des pièces de rechange, fournir les informations suivantes comme indiqué dans cette liste:

1. Le numéro de pièce _____
2. La description de la pièce _____
3. Le numéro de modèle _____
4. Le numéro de série _____



United States Stove Company
227 Industrial Park Rd.,
South Pittsburg, TN 37380
PH: (800) 750-2723
www.usstove.com

Enregistrement De Service

Il est recommandé que votre système de chauffage est desservi régulièrement et que le Service Interval enregistrement approprié est terminée.

FURNISSEUR DE SERVICES

Avant de terminer l'enregistrement de service approprié ci-dessous, s'il vous plaît vous assurer que vous avez effectué le service tel que décrit dans les instructions du fabricant. Toujours utiliser pièce de rechange indiquée par le fabricant lors de remplacement est nécessaire.

_____	Service de 01
_____	Date:
_____	Nom de l'ingénieur:
_____	N° de licence:
_____	Compagnie:
_____	N° de téléphone:
_____	Articles Remplacé: <input type="checkbox"/> Poêle Inspecté: <input type="checkbox"/> Cheminée balayée: <input type="checkbox"/>

_____	Service de 02
_____	Date:
_____	Nom de l'ingénieur:
_____	N° de licence:
_____	Compagnie:
_____	N° de téléphone:
_____	Articles Remplacé: <input type="checkbox"/> Poêle Inspecté: <input type="checkbox"/> Cheminée balayée: <input type="checkbox"/>

_____	Service de 03
_____	Date:
_____	Nom de l'ingénieur:
_____	N° de licence:
_____	Compagnie:
_____	N° de téléphone:
_____	Articles Remplacé: <input type="checkbox"/> Poêle Inspecté: <input type="checkbox"/> Cheminée balayée: <input type="checkbox"/>

_____	Service de 04
_____	Date:
_____	Nom de l'ingénieur:
_____	N° de licence:
_____	Compagnie:
_____	N° de téléphone:
_____	Articles Remplacé: <input type="checkbox"/> Poêle Inspecté: <input type="checkbox"/> Cheminée balayée: <input type="checkbox"/>

_____	Service de 05
_____	Date:
_____	Nom de l'ingénieur:
_____	N° de licence:
_____	Compagnie:
_____	N° de téléphone:
_____	Articles Remplacé: <input type="checkbox"/> Poêle Inspecté: <input type="checkbox"/> Cheminée balayée: <input type="checkbox"/>

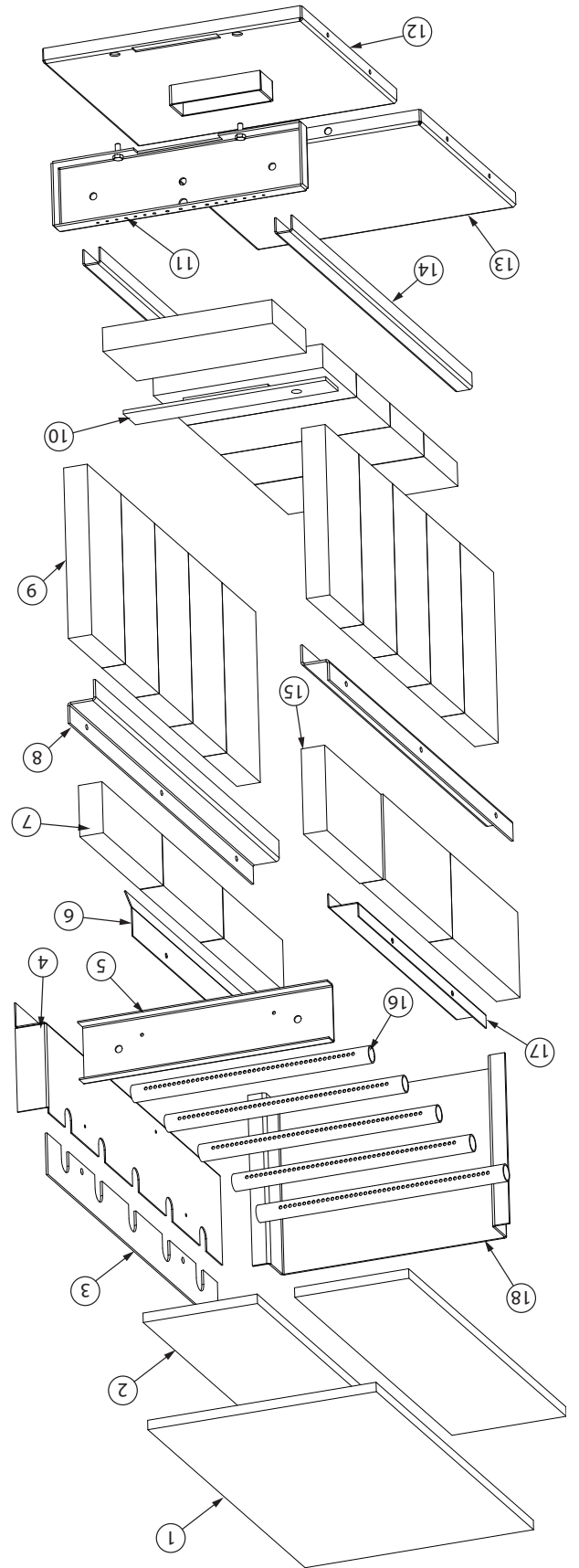
_____	Service de 06
_____	Date:
_____	Nom de l'ingénieur:
_____	N° de licence:
_____	Compagnie:
_____	N° de téléphone:
_____	Articles Remplacé: <input type="checkbox"/> Poêle Inspecté: <input type="checkbox"/> Cheminée balayée: <input type="checkbox"/>

_____	Service de 07
_____	Date:
_____	Nom de l'ingénieur:
_____	N° de licence:
_____	Compagnie:
_____	N° de téléphone:
_____	Articles Remplacé: <input type="checkbox"/> Poêle Inspecté: <input type="checkbox"/> Cheminée balayée: <input type="checkbox"/>

_____	Service de 08
_____	Date:
_____	Nom de l'ingénieur:
_____	N° de licence:
_____	Compagnie:
_____	N° de téléphone:
_____	Articles Remplacé: <input type="checkbox"/> Poêle Inspecté: <input type="checkbox"/> Cheminée balayée: <input type="checkbox"/>

Pièces De Remplacement

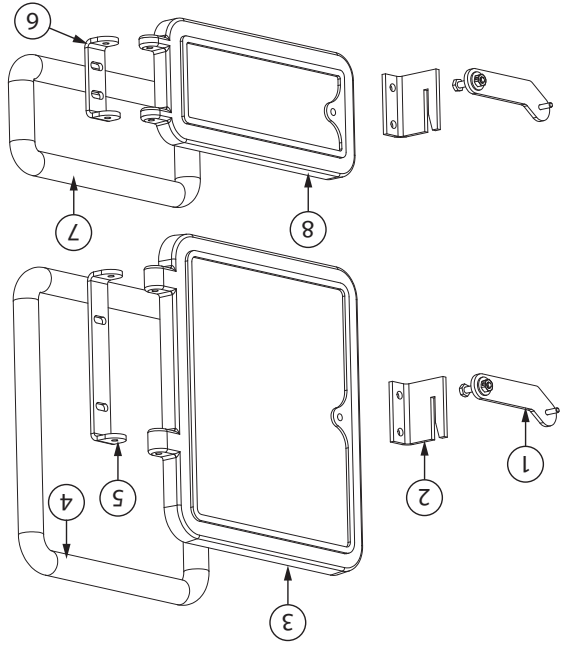
Clé	Partie #	La Description	Qté
1	88336	Couverture isolante	1
2	88335	Panneau déflecteur	2
3	29437	Retenue de tube	1
4	29438	Côté déflecteur	1
5	27291	Dessus de doublure avant	1
6	29408	Retenue à droite	1
7	893285	Brique réfractaire	3
8	27484	Support à briques supérieur	2
9	89066A	Brique réfractaire ponce (4-1 / 2 X 9)	17
10	610223	Soudure du couvercle de nettoyage	1
11	610227	Sortie d'air primaire (soudée)	1
12	610221	Plancher (soudé)	1
13	27564	Plancher arrière	1
14	27472	Entretoises de brique	2
15	892945	Brique réfractaire à la pierre ponce (4-1 / 2 X 7-1 / 2)	1
16	893289	Tube secondaire (13,125")	5
17	29407	Retenue gauche	1
18	27478	Entretoise de brique arrière	1



AFIN DE MAINTENIR LA GARANTIE, LES COMPOSANTS DOIVENT ÊTRE REMPLACÉS PAR DES PIÈCES D'ORIGINE DU FABRICANT
 ACHETÉS APRÈS DE VOTRE REVENDEUR OU DIRECTEMENT DEPUIS LE FABRICANT DE L'APPAREIL. L'UTILISATION DE COMPOSANTS
 TIERS ANNULE LA GARANTIE.

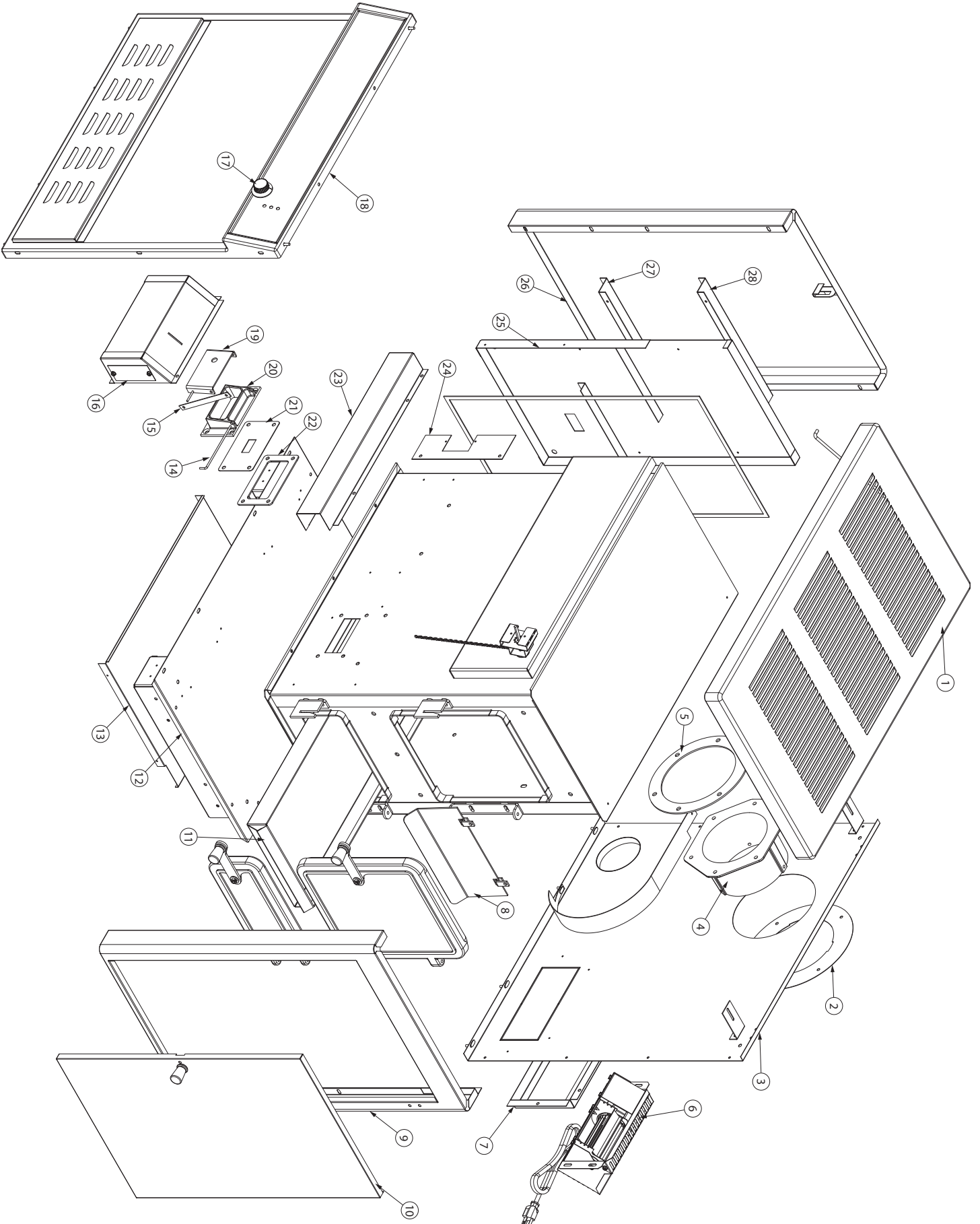
Pièces De Remplacement

Clé	Partie #	La Description	Qté
1	67966	Armoire Haut Assy	1
2	22761	Bague Col Cheminée	1
3	610143	Boîtier Arrière	1
4	40246	6 Po C.I. Col De Cheminée	1
5	88032	Joint De Collier De Cheminée	1
6	891492	Ensemble Souffleur (B36)	1
7	25598	Boîtier De Montage Du Ventilateur	1
8	29329	Rideau De Fumée	1
9	610508	Boîtier Côté Droit	1
10	67969	Assy De Porte D'armoire.	1
11	67444	Soudure De Cendrier	1
12	67859	Soudure De Base	1
13	22110	Bouclier Thermique	1
14	25550	Amortisseur De Tirage H.pin	1
15	27469	Bras Amortisseur	1
16	610987	Ensemble De Boîte De Distribution D'air	1
17	89687	Bouton De Thermostat Noir	1
18	610985	Soudé / Assemblé Avant De L'armoire.	1
19	611015	Projet De Soudure De Porte	1
20	40075	Projet De Cadre De Porte	1
21	29422	Restricteur	1
22	88090	Joint	1
23	27461	Canal D'air Principal	1
24	27491	Arrêt Du Canal D'air	1
25	611018	Soudure Du Panneau Secondaire	1
26	67967	Armoire Extrémité Gauche Assy.	1
27	27467	Entretoise Inférieure Arrière	1
28	27466	Entretoise Arrière	1



AFIN DE MAINTENIR LA GARANTIE, LES COMPOSANTS DOIVENT ÊTRE REMPLACÉS PAR DES PIÈCES D'ORIGINE DU FABRICANT ACHETÉS APRÈS DE VOTRE REVENDEUR OU DIRECTEMENT DEPUIS LE FABRICANT DE L'APPAREIL. L'UTILISATION DE COMPOSANTS TIERS ANNULE LA GARANTIE.

Clé	Partie #	La Description	Qté
1	27486	Poignée de porte	2
2	27462	Loquet de porte	2
3	40763	Porte d'alimentation	1
4	88032	Fibre de corde 1 po	3,75 pi
5	27489	Charnière de porte coupe-feu	1
6	27460	Charnière de porte en frêne	1
7	88032	Fibre de corde 1 po	2,5 pi
8	40764	Porte coulée	1

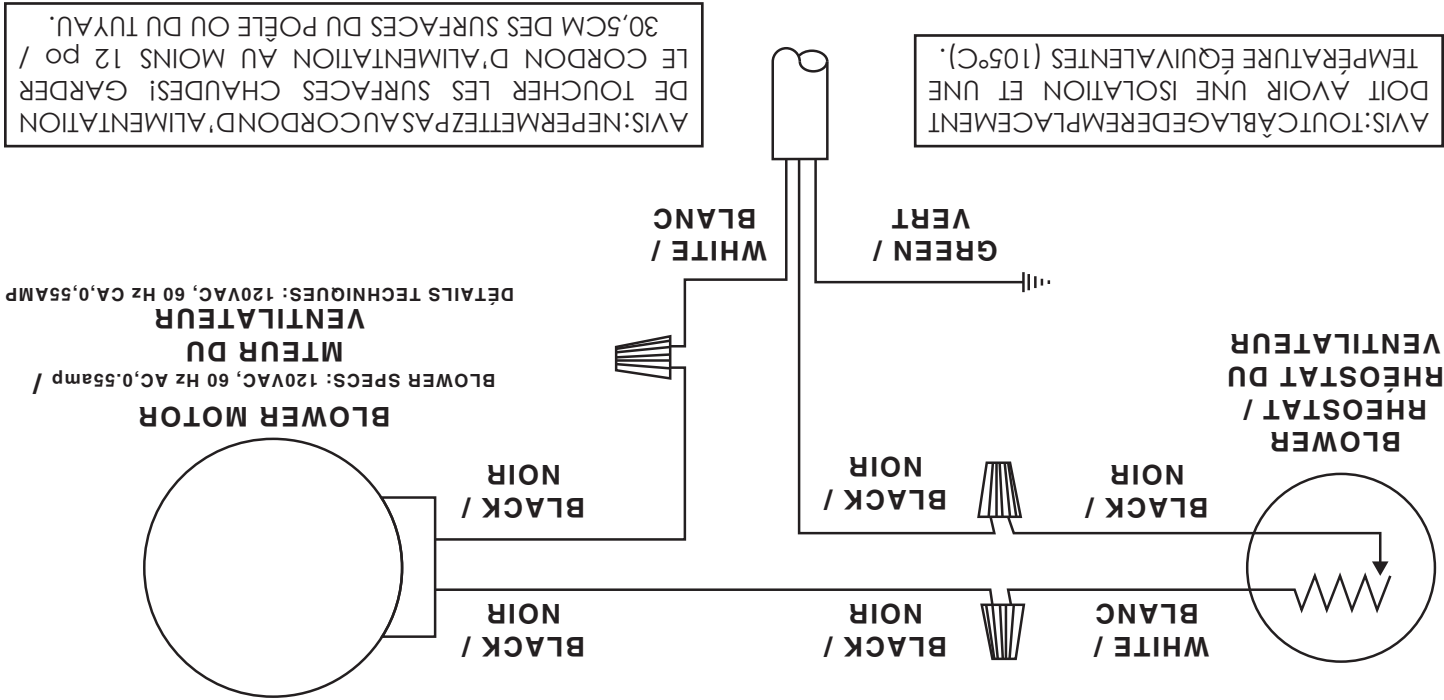


Pièces De Remplacement

Schéma de câblage du ventilateur

ATTENTION: LES PIÈCES EN MOUVEMENT PEUVENT CAUSER BLESSURE. NE PAS UTILISER AVEC LE COUVERCLE ENLEVÉ.

DANGER: RISQUE D'ÉLECTROCUTION, DÉBRANCHER LA SOURCE D'ALIMENTATION AVANT L'INSTALLATION ET LORS DE L'ENTRETIEN DE L'ASSEMBLAGE DE LA SOUFFLEUSE.



ATTENTION: Ce poêle à bois doit être inspecté et réparé périodiquement pour fonctionner correctement. Il est contraire à réglementation fédérale de faire fonctionner ce poêle à bois d'une manière non conforme aux instructions d'utilisation de ce manuel.

AVERTISSEMENT: N'UTILISEZ JAMAIS LE POÊLE SANS JOINT OU AVEC UN CASSÉ. DES DOMMAGES AU POÊLE OU À L'INCENDIE DE LA MAISON PEUVENT EN RÉSULTER.

La porte de cet appareil utilise un joint de corde de 1 po de diamètre. Il est recommandé de changer le joint de porte (qui rend la porte de votre poêle étanche à l'air) une fois par an, afin d'assurer un bon contrôle de la combustion, une efficacité et une sécurité maximales. Pour changer le joint de porte, retirez simplement celui qui est endommagé. Nettoyez soigneusement la rainure du joint disponible, appliquez un silicone haute température vendu à cet effet et installez le nouveau joint. Vous pouvez rallumer votre poêle environ 24 heures après avoir terminé cette opération.

ENTRETIEN DES JOINTS

Le brûlage du bois produit naturellement des émissions de fumée et du monoxyde de carbone (CO). Le CO est un gaz poison lorsque l'exposition se fait à des concentrations élevées pour une période de temps prolongée. Bien que les systèmes de combustion modernes des chauffages réduisent de façon importante la quantité de CO émis par la cheminée, l'exposition aux gaz dans des endroits fermés ou clos peut être dangereuse. Assurez-vous que les joints d'étanchéité de votre poêle et les joints de la cheminée soient en bon état et qu'ils scellent correctement, évitant les expositions indésirables. Il est recommandé que vous utilisiez des détecteurs de fumée et de CO dans les zones où se trouve un potentiel de génération de CO.

DÉTECTEURS DE FUMÉE ET DE CO

ATTENTION:
• LES CENDRES POURRAIENT CONTENIR DES EMBRES CHAUDES MÊME APRÈS DEUX JOURS SANS FAIRE FONCTIONNER LE POÊLE.
• LE CENDRIER PEUT DEVENIR TRÈS CHAUD. PORTER DES GANTS POUR PRÉVENIR LES BLESSURES.
• NE BRÛLEZ JAMAIS LE POÊLE AVEC LE PIÈGE À CENDRES OUVERT. CELA POURRAIT PROVOQUER PLUS DE CUISSON DU POÊLE. DES DOMMAGES AU POÊLE ET À UN MÊME INCENDIE PEUVENT EN RÉSULTER.

Chaque fois que les cendres atteignent 3 à 4 pouces de profondeur dans votre foyer ou cendrier, enlevez les cendres en excès. Laissez un lit de cendres d'environ 1 pouce de profondeur sur le fond du foyer pour aider à maintenir un lit de charbon de bois chaud. Les cendres doivent être placées dans un récipient en métal avec un couvercle hermétique. Le contenant fermé de cendres doit être placé sur un sol ou un sol incombustible, loin de tous les matériaux combustibles, en attendant l'élimination finale. Les cendres doivent être conservées dans le récipient fermé jusqu'à ce que toutes les cendres aient complètement refroidi.

ENLEVEMENT DES CENDRES ET LEUR DISPOSITION

AVERTISSEMENT: Un feu de cheminée peut provoquer l'inflammation de poteaux muraux ou de chevrons qui étaient supposés être à une distance sûre de la cheminée. En cas d'incendie de cheminée, faites inspecter votre cheminée par un expert qualifié avant de l'utiliser à nouveau.

• Brûlez toujours du bois sec. Cela permet des brûlures propres et des températures de cheminée plus élevées, donc moins de dépôt de créosote.
• Laissez le contrôle d'air complètement ouvert pendant environ 5 min. chaque fois que vous rechargez le poêle pour le ramener à des températures de fonctionnement appropriées. La combustion secondaire ne peut avoir lieu que si le foyer est suffisamment chaud.
• Vérifiez toujours le dépôt de créosote une fois tous les deux mois et faites nettoyer votre cheminée au moins une fois par an.
• En cas d'incendie de cheminée ou de créosote, fermez immédiatement tous les registres. Attendez que le feu s'éteigne et effectuez un nettoyage de cheminée pour vous assurer qu'il ne reste plus de dépôts de créosote dans la cheminée.

POUR ÉVITER LA CONSTRUCTION DE CRÉOSOTE

Lorsque le bois est brûlé lentement, il produit du goudron et d'autres vapeurs organiques, qui se combinent avec l'humidité expulsée pour former de la créosote. Les vapeurs de créosote se condensent dans le conduit de cheminée relativement frais d'un feu à combustion lente. Par conséquent, des résidus de créosote s'accumulent sur le revêtement du conduit de fumée. Lorsqu'elle est allumée, cette créosote fait un feu extrêmement élevé. Le raccord de cheminée et la cheminée doivent être inspectés au moins une fois tous les deux mois pendant la saison de chauffage pour déterminer si une accumulation de créosote s'est produite. Si la créosote s'est accumulée (3 mm ou plus), elle doit être retirée pour réduire le risque d'incendie de cheminée.

Nous vous recommandons fortement d'installer un thermomètre magnétique sur votre tuyau d'échappement de fumée, à environ 18 po au-dessus du poêle. Ce thermomètre indiquera la température de vos fumées d'échappement de gaz dans le système d'évacuation des fumées. La température idéale pour ces gaz se situe entre 275°F et 500°F. En dessous de ces températures, l'accumulation de créosote est favorisée. Au-dessus de 500°F, la chaleur est perdue car une trop grande quantité est perdue dans l'atmosphère.

FORMATION DE CRÉOSOTE ET BESOIN D'ENLEVEMENT

AJOUT DE CARBURANT

1. Une fois que vous avez obtenu un bon lit de braises, vous devez recharger l'unité. Pour ce faire, ouvrez les commandes d'air au maximum quelques secondes avant d'ouvrir la porte du poêle.
2. Ouvrez la porte très lentement; ouvrez-la d'un ou deux pouces pendant 5 à 10 secondes, avant de l'ouvrir complètement pour augmenter le tirage et ainsi éliminer la fumée qui stagne en état de combustion lente dans le poêle.
3. Râtez les braises incandescentes à l'avant de l'ouverture de la porte. Ajoutez du carburant en faisant attention de ne pas surcharger ou surchauffer l'appareil. Lors de l'ajout de carburant, veillez à ne pas étouffer le feu. Assurez-vous que les braises n'obstruent pas l'entrée d'air. REMARQUE: Pour un fonctionnement optimal de cet appareil, il est recommandé de le faire fonctionner avec une charge de bois approximativement équivalente à la hauteur des briques réfractaires. Il est important de noter que la combustion du bois consomme de l'oxygène ambiant dans la pièce. En cas de pression négative, c'est une bonne idée de laisser entrer de l'air frais dans la pièce, soit en ouvrant légèrement une fenêtre, soit en installant un système d'admission d'air frais sur un mur extérieur.
4. Fermez la porte d'alimentation et fixez-la fermement.
5. Réglez la commande d'entrée d'air comme décrit dans la section «Instructions de remplissage» de ce manuel.
6. Videz les cendres régulièrement. Ne laissez pas les cendres s'accumuler. Éliminez correctement les cendres chaudes (voir la section «Élimination et élimination des cendres» de ce manuel).
7. Brûlez de petits feux intenses au lieu de grands feux à combustion lente lorsque cela est possible. Les grands feux à combustion lente peuvent déposer de la créosote dans le système de chauffage.
8. Apprenez les caractéristiques de fonctionnement de votre appareil pour obtenir des performances optimales.

FUMÉE VISIBLE

La quantité de fumée visible produite peut être une méthode efficace pour déterminer l'efficacité du processus de combustion aux paramètres donnés. La fumée visible est constituée de combustible non brûlé et d'humidité sortant de votre poêle. Apprenez à régler les paramètres d'air de votre unité spécifique pour produire la plus petite quantité de fumée visible. Le bois qui n'a pas été correctement séché et qui a une teneur élevée en humidité produira un excès de fumée visible et brûlera mal.

CONDUITS D'AIR

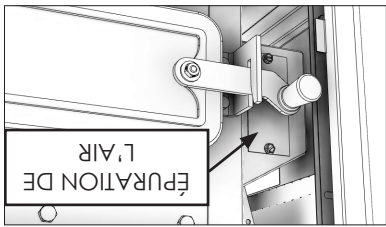
Les conduits d'air assemblés dans cette unité sont conçus pour offrir un mélange précis d'air secondaire et assurer une plus grande efficacité. Tout dommage ou détérioration de ces conduits peut réduire l'efficacité de la combustion. Les conduits d'air sont maintenus en position par des vis ou par des goupilles de blocage. Localisez et enlevez-les des deux côtés du conduit pour le retirer et le remettre en place.

FONCTIONNEMENT DE LA SOUFFLERIE

La soufflerie à vitesse variable circule l'air réchauffé par l'insert dans les pièces à vivre afin de distribuer la chaleur de manière plus égale. Le bouton de contrôle de la soufflerie est situé sur le côté de son enveloppe. Tournez le bouton dans le sens des aiguilles d'une montre pour allumer la soufflerie. La vitesse est contrôlée en tournant le bouton dans le sens des aiguilles d'une montre pour les vitesses plus lentes et dans le sens inverse des aiguilles d'une montre pour les vitesses plus rapides. Pour éteindre la soufflerie, tournez complètement le bouton de contrôle de vitesse dans le sens inverse des aiguilles d'une montre. Il est recommandé d'éteindre la soufflerie quand l'insert n'est pas utilisé. Prudence! Route du cordon d'alimentation de la source de chaleur et hors des zones à fort trafic.

ENTRETIEN DE NETTOYAGE

La combustion de bois humide non sèche ne fait que nuire à l'efficacité de vos poêles et entraîne une accumulation accélérée de créosote dans votre cheminée. Les sorties de nettoyage sont fixées au foyer avec (2) vis de 5/16". Retirez les surfaces propres et aspirez les cendres accumulées. Cette opération doit être effectuée au moins une fois par mois ou plus fréquemment si de grandes quantités de cendres sont détectées lors du nettoyage ou si le poêle ne semble pas brûler correctement. Les portes de cuisson et de cendre doivent être fermées et scellées pendant le fonctionnement.



Entretien De La Cheminée

AVERTISSEMENT: Ne pas surchauffer l'appareil. Vous surchauffez si une partie quelconque de l'appareil s'allume en rouge. Fermez la porte et fermez immédiatement le registre pour réduire l'alimentation en air et ralentir le feu.

AVERTISSEMENT: Les feux à combustion lente pour une utilisation prolongée ou la combustion de bois vert peuvent provoquer une accumulation excessive de créosote. L'allumage de la créosote ou la surchauffe peuvent provoquer un feu de cheminée. Les feux de cheminée brûlent extrêmement chaud et peuvent enflammer les matériaux combustibles environnants. En cas d'incendie de cheminée, appelez immédiatement le service d'incendie!

Remarque: utilisez uniquement du bois de chauffage solide! Ne brûlez pas les ordures ou les liquides inflammables. N'utilisez pas de charbon. Cet appareil n'est pas conçu pour accueillir le débit d'air (tirage) requis pour brûler correctement le charbon ou les produits du charbon. Ne pas élever le feu à l'aide de grilles ou de fers. Construisez le feu directement sur la brique réfractaire.

INSTRUCTIONS DE RAVITALEMENT

Ce poêle à bois a été certifié par l'US EPA pour répondre aux strictes directives 2020. Pour garantir que cet appareil produit les émissions minimales optimales, il est essentiel que seul du bois de cordon bien séché soit brûlé (voir la section «Recommandations de carburant» de ce manuel). La combustion de bois humide non séché ne fait que nuire à l'efficacité de vos poêles et entraîne une accumulation accélérée de créosote dans votre cheminée. Soyez respectueux de l'environnement et ne brûlez que du bois sec.

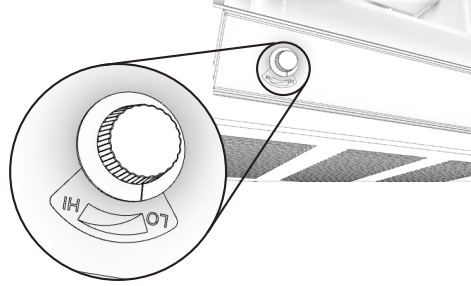
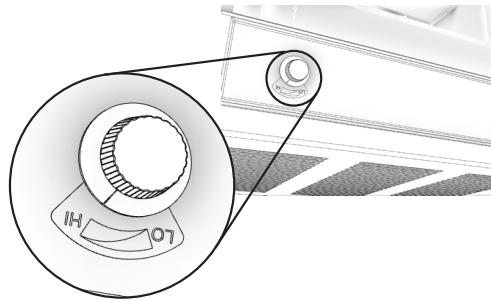
ATTENTION: ne laissez pas l'appareil sans surveillance avec la porte ouverte.

Pour un démarrage à froid, placez 3 à 4 morceaux de papier journal dans le foyer. Sur le papier journal, déposez 4 lb de bois d'allumage dans un emplacement idéal pour assurer la circulation de l'air à travers le bois d'allumage. Sur le bois d'allumage, placez environ 6 lb de petits morceaux de bois de corde. REMARQUE: Utilisez des morceaux de bois plus petits pendant le démarrage et un taux de combustion élevé pour augmenter la température du poêle.



Tournez le bouton de commande d'air en position haute. Allumez le journal, fermez la porte et laissez le petit bois s'enflammer. Une fois que le bois d'allumage a brûlé jusqu'à un lit de charbon de démarrage, chargez l'unité avec environ 24 lb de carburant pour la première charge de combustion élevée. Fermez la porte immédiatement. Après la première charge de combustion élevée et le poêle bien réchauffé, réglez l'unité au besoin pour un réglage de combustion moyen ou faible.

Pour une combustion moyenne, une fois que la charge de combustible à combustion élevée est brûlée dans un lit de charbon établi, chargez l'unité avec 27-28 lb de bois de corde et gardez la porte légèrement ouverte (en position «Hi») pendant 15 minutes. Laissez le contrôle d'air complètement ouvert pendant 5 minutes. Laissez le contrôle d'air complètement ouvert (en position «Hi») pendant 15 minutes. Après 15 minutes, tournez le bouton de commande d'air complètement ouvert (en position «Hi») pendant 15 minutes. Le ventilateur peut être activé après 30 minutes. Pour un réglage de combustion faible une fois que la charge de combustible à combustion élevée (ou moyenne) est brûlée jusqu'à un lit de charbon établi, chargez l'unité avec 27 à 28 livres de bois de corde et gardez la porte légèrement ouverte pendant 5 minutes. Laissez le contrôle d'air complètement ouvert (en position «Hi») pendant 15 minutes. Laissez le bouton de commande d'air en position «Low». REMARQUE: ne fermez pas l'air trop rapidement. Fermer l'air trop rapidement entraînera la fumée de l'appareil.



AVERTISSEMENTS:

- NE JAMAIS SURCHAUFFER VOTRE POÊLE. SI UNE PARTIE DU POÊLE COMMENCE À LUMIÈRE ROUGE, PLUS DE CUISSON ARRIVE. RÉAJUSTEZ LA COMMANDE D'ADMISSION D'AIR À UN RÉGLAGE PLUS BAS.
- L'INSTALLATION D'UN BERCEAU À BÛCHES OU DE GRILLES N'EST PAS RECOMMANDÉE DANS VOTRE POÊLE À BOIS. CONSTRUISEZ LE FEU DIRECTEMENT SUR FIREBRICK.
- NE METTEZ JAMAIS DE BOIS AU-DESSUS DE LA DOUBLURE DU FEU DE FEU.
- LES TENTATIVES POUR ATTEINDRE DES DÉBITS DE CHALEUR SUPÉRIEURS AUX SPÉCIFICATIONS DE CONCEPTION DU RÉCHAUFFEUR PEUVENT ENTRAÎNER DES DOMMAGES PERMANENTS AU RÉCHAUFFEUR.

Les rendements peuvent être basés sur la valeur calorifique inférieure (LHV) ou la valeur calorifique supérieure (HHV) du combustible. La valeur calorifique inférieure est lorsque l'eau qu'elle le processus de combustion sous forme de vapeur, dans le cas des poêles à bois, l'humidité du bois brûlé qu'elle le poêle sous forme de vapeur. Le pouvoir calorifique supérieur est lorsque l'eau qu'elle le processus de combustion complètement condensée. Dans le cas des poêles à bois, cela supposerait que les gaz d'échappement sont à température ambiante à la sortie du système, et donc les calculs utilisant cette valeur de chauffage considèrent la chaleur qui monte dans la cheminée comme une énergie perdue. Par conséquent, l'efficacité calculée en utilisant le pouvoir calorifique supérieur. La meilleure façon d'atteindre des rendements optimaux est d'appréhender les caractéristiques de combustion de votre appareil et de brûler du bois bien séché. Des taux de combustion plus élevés ne sont pas toujours les meilleures options pour un chauffage efficace. Un taux de combustion inférieur ralentit le flux de chaleur utilisable hors de la maison par la cheminée, et il consomme également moins de bois.

EFFICACITÉ

Ce chauffage au bois a un taux de combustion minimum réglé à la fabrication, et qui ne peut être modifié. La modification de ce réglage ou une utilisation autre de ce chauffage au bois qui ne respecterait pas les directives du présent manuel contrevient aux réglementations fédérales.

ALTÉRER AVERTISSEMENT

Températures plus élevées peuvent entraîner une surchauffe et endommager votre poêle. Le thermomètre doit être placé à environ 18 po (457 mm) au-dessus du poêle. Des températures plus élevées à la fois pour vous assurer que la température ne dépasse jamais 246°C (475°F) sur un thermomètre magnétique pour une installation sur des tuyaux de poêle à paroi unique ou à double paroi. Le thermomètre à sonde pour installation sur un tuyau de poêle à double paroi. Ne brûlez pas de bûches fabriquées de sciure de bois imprégnée de cire ou de grumes avec des additifs chimiques. Les bûches fabriquées à partir de sciure de bois comprimée à 100% peuvent être brûlées, mais soyez prudent en brûlant trop de ces bûches en même temps. Commencez avec un journal fabriqué et voyez comment le poêle réagit. Vous pouvez augmenter le nombre de bûches brûlées à la fois pour vous assurer que la température ne dépasse jamais 246°C (475°F) sur un thermomètre magnétique pour une installation sur des tuyaux de poêle à paroi unique ou à double paroi. Le thermomètre doit être placé à environ 18 po (457 mm) au-dessus du poêle. Des températures plus élevées peuvent entraîner une surchauffe et endommager votre poêle.



Le brûlage de ces matériaux peut causer des émissions de fumées toxiques ou rendre le chauffage inefficace en raison de la fumée. Le bois mort tombé des arbres doit être considéré comme étant mouillé et doit donc être séché. Le bois mort peut normalement être considéré comme sec à 66%. Fendre et empiler le bois avant de l'entreposer accélérera le séchage. Entrez le bois sur une surface surélevée du sol et sous un espace abrité de la pluie ou de la neige, accélérera le temps de séchage. Un bon indicateur pour savoir si le bois est prêt à brûler est de vérifier les extrémités du morceau. Si elles sont fendues de toutes parts à partir du centre, le bois devrait donc être suffisamment sec. Si votre bois grisille quand il brûle, même si la surface est sèche, il pourra ne pas être entièrement sec et devrait être laissé à sécher plus longtemps.

1. Des ordures;
2. Des déchets de tonte ou résidus de jardin, incluant les pneus;
3. Des matériaux contenant du caoutchouc, incluant les matériaux contenant du plastique;
4. Des déchets de produits du pétrole, des peintures ou diluants à peinture, ou des produits d'asphalte;
5. Matériaux contenant de l'amiante;
6. Débris de construction ou de démolition;
7. Traverses de voie ferrée ou bois traité sous pression;
8. Fumier ou restes d'animaux;
9. Bois de grève en eau salée ou autres matériaux précédemment saturés par de l'eau salée;
10. Bois non séché; ou
11. Produits du papier, carton, contreplaqué, ou panneau de particules. L'interdiction de brûlage de ces matériaux n'interdit pas l'utilisation d'allume-feu composés de papier, carton, sciure de bois, cire et substances similaires, aux fins de démarrer le feu dans un chauffage au bois modifié.

Ce poêle est conçu pour brûler uniquement du bois naturel. Des rendements plus élevés et des émissions plus faibles résultent généralement de la combustion de bois durs séchés à l'air, par rapport aux bois tendres ou aux bois verts ou fraîchement coupés. NE PAS BRÛLER:

UTILISATION DU BOIS

- N'utilisez jamais de produits chimiques, d'essence, de combustible pour lanterne de type essence, de kérosène, de briquet à charbon ou de liquides inflammables similaires pour allumer ou «rafraîchir» un feu dans l'appareil.
- Gardez tous les liquides inflammables, en particulier l'essence, à proximité de l'appareil, que ce soit en cours d'utilisation ou de stockage.

- PRÉCAUTIONS DE SÉCURITÉ LORS DE L'UTILISATION
- Ne surchauffez jamais cet appareil en faisant des feux trop chauds car cela pourrait provoquer un incendie. Vous surchauffez l'appareil s'il commence à briller ou à virer au rouge.
 - Ne faites jamais d'incendies excessivement grands dans ce type d'appareil car cela pourrait endommager le foyer ou provoquer des fuites de fumée.
 - Chaud pendant le fonctionnement. Éloignez les enfants, les vêtements et les meubles. Le contact peut provoquer des brûlures cutanées. Ne touchez pas l'appareil tant qu'il n'a pas refroidi.
 - Fournissez suffisamment d'air pour la combustion dans la pièce où l'appareil est installé.
 - Inspectez le revêtement de cheminée tous les 60 jours. Remplacez immédiatement le revêtement s'il rouille ou qu'il fuit dans la pièce.
 - Les tentatives pour atteindre des débits de chaleur supérieurs aux spécifications de conception du réchauffeur peuvent entraîner des dommages permanents au réchauffeur.

Recommandations Pour Les Combustibles

UTILISATION DE L'INSERT À BOIS

Votre appareil de chauffage a été conçu pour ne brûler que du bois ; aucun autre combustible ne doit être utilisé. Les déchets et autres matériaux inflammables ne doivent pas être brûlés dans votre insert. N'importe quelle variété de bois peut être utilisée dans votre insert mais certaines ont de meilleurs rendements énergétiques que d'autres. Veuillez consulter s'il vous plaît le tableau suivant pour faire le meilleur choix possible.

Variété	Poids (lbs.cu3)	Par corde	Coefficient d'efficacité	Niveau de difficulté de la coupe	Millions de BTU/corde
Hickory	63	4500	1,0	Bien	31,5
Chêne blanc	48	4100	0,9	Moyen	28,6
Chêne rouge	46	3900	0,8	Moyen	27,4
Hêtre	45	3800	0,7	Difficile	26,8
Erable à sucre	44	3700	0,6	Moyen	26,2
Chêne des teinturiers	43	3700	0,6	Moyen	25,6
Frêne	42	3600	0,5	Bien	25,0
Bouleau jaune	40	3400	0,4	Difficile	23,8
Erable rouge	38	3200	0,3	Moyen	22,6
Bouleau à papier	37	3100	0,3	Facile	22,1
Orme/Sycamore	34	2900	0,2	Très difficile	20,1
Épicéa rouge	29	1800	0,1	Facile	16,1

Il est EXTREMEMENT IMPORTANT DE N'UTILISER QUE DU BOIS SEC dans votre insert à bois. Le bois aurait dû sécher pendant 9 à 15 mois, tel que le pourcentage d'humidité est inférieur à 20% du poids de la bûche. Il est aussi très important de noter que du bois, coupé 2-3 ans auparavant et voir plus, n'est pas nécessairement sec s'il a été stocké dans de mauvaises conditions. Dans des conditions extrêmes, le bois peut même pourrir au lieu de sécher. On ne saurait trop souligner que la vaste majorité des problèmes liés au fonctionnement d'un insert à bois est causée par le fait que le bois utilisé était trop humide ou avait séché dans de mauvaises conditions. Ces problèmes peuvent être :

- problèmes d'allumage ;
- accumulation de créosote causant des incendies de cheminée ;
- rendement énergétique bas ;
- combustion incomplète du bois.

Les morceaux de bois plus petits sécheront plus rapidement. Toute bûche ayant un diamètre supérieur à 15 cm devrait être fendue. Le bois ne devrait pas être stocké à même le sol. Il devrait y avoir une bonne circulation de l'air à travers la corde de bois. Un espace d'air de 0,6 à 1,2 m devrait être prévu entre chaque rangée de bûches et un emplacement le plus ensoleillé possible devrait être choisi. La rangée supérieure de bois devrait être protégée des éléments mais pas les côtés.

ESSAYEZ VOTRE BOIS

Quand la totalité de l'insert est complètement chauffé, placez un morceau de bois (diamètre approximatif de 10 cm) parallèle à la porte sur le lit de braises ardentes. Ouvrez complètement le contrôle d'air et fermez la porte. Si l'embrasement du morceau est accompli dans les 90 premières secondes après son introduction dans l'insert, votre bois est correctement séché. Si ce temps est plus long, votre bois est humide. Si votre bois siffle et de l'eau ou des vapeurs s'échappent aux extrémités de la bûche, votre bois est trempé ou a été coupé récemment (bois vert). N'utilisez pas ce bois dans votre insert car de grandes quantités de créosote pourraient se déposer dans votre cheminée, créant ainsi les conditions potentielles pour un incendie de cheminée.

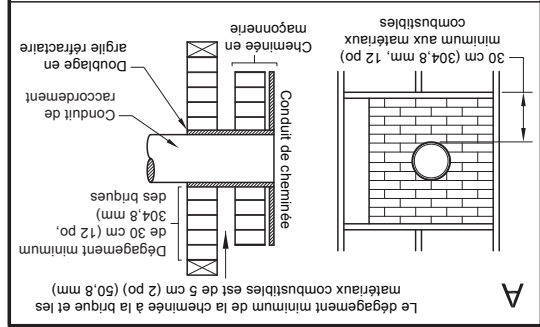
Instructions D'utilisation Du Bois

ATTENTION: RISQUES D'INCENDIE DE LA MAISON

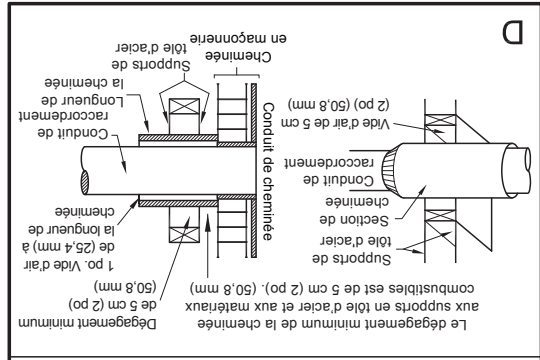
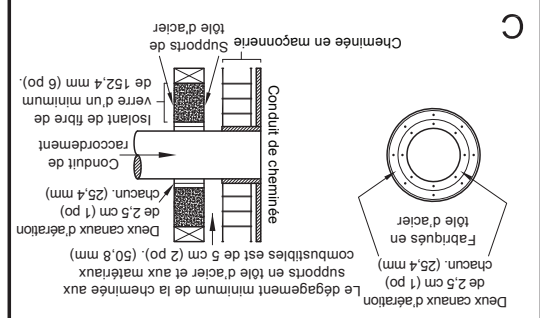
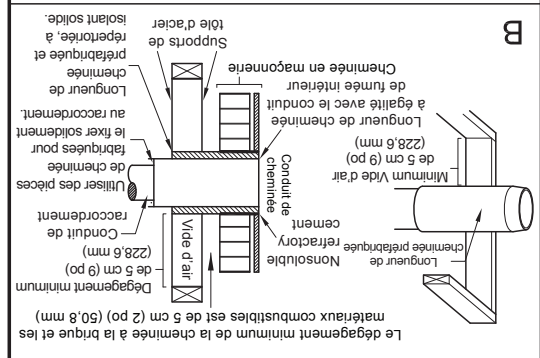
- N'entrez pas de bois sur le protecteur de plancher, sous les tuyaux de poêle, le cas échéant, ou à un endroit quelconque à l'écart des surfaces combustibles spécifiées pour cet appareil.
- Ne jamais utiliser avec les tubes secondaires, les panneaux de fibres ou l'isolation retirés.

PASSAGES DE RACCORDEMENT DE CHEMINÉE À TRAVERS UNE PAROI COMBUSTIBLE

Méthode A. Dégagement de 12 po (304,8 mm) avec un membre de paroi combustible : En utilisant des briques d'une épaisseur minimale de 3,5 po (89 mm) et un revêtement en argile d'une épaisseur minimale de 5/8 po (15,9 mm), construisez un passage à travers la paroi. Le revêtement en argile doit être conforme à l'ASTM C315 (spécification standard des revêtements réfractaires en argile) ou son équivalent. Maintenez un minimum de 12 po (304,8 mm) de maçonnerie en briques entre le revêtement en argile et les matériaux combustibles de la paroi. Le revêtement en argile devra s'étendre de la surface extérieure de la maçonnerie en briques jusqu'à la surface intérieure du revêtement du carneau de la cheminée mais pas au-delà de la surface intérieure. Coulez ou cimentez fermement le revêtement en argile en place dans le revêtement du carneau de la cheminée.



Méthode B. Dégagement de 9 po (228,6 mm) avec un membre de paroi combustible : En utilisant une partie de cheminée Solid-Pak fabriquée en usine, agréez, de 6 po (152,4 mm) de diamètre intérieur avec une isolation de 1 po (25,4 mm) ou plus, construisez un passage à travers la paroi avec une couche d'air de 9 po (228,6 mm) minimum entre la paroi extérieure de la longueur de la cheminée et les matériaux combustibles de la paroi. Utilisez des supports en tôle fixés de façon sûre aux surfaces de la paroi sur tous les côtés afin de maintenir une couche d'air de 9 po (228,6 mm). Lors de la fixation des supports sur la cheminée (la paroi intérieure de la cheminée Solid-Pak). L'extrémité du revêtement de la section de la cheminée Solid-Pak devra affleurer l'intérieur du carneau de la cheminée en maçonnerie, et être scellée avec un ciment réfractaire non soluble dans l'eau. Utilisez ce ciment pour également calfeutrer la pénétration de la maçonnerie en briques. Méthode C. Dégagement de 6 po (152,4 mm) avec un membre de paroi combustible : En commençant avec un raccord de cheminée métallique de 6 po (152,4 mm) de calibre 24 (0,024 po [0,61 mm]), et un manchon mural ventilé de calibre 24 minimum ayant deux conduits d'air de 1 po (25,4 mm) chacun, construisez un passage à travers la paroi. Il devra y avoir une zone de séparation de 6 po (152,4 mm) minimum contenant une isolation en fibre de verre, à partir de la surface extérieure du manchon mural jusqu'aux matières combustibles de la paroi. Soutenez le manchon mural et couvrez son ouverture avec un support métallique en tôle de calibre 24 minimum. Maintenez un espace de 6 po (152,4 mm). Il devra également y avoir un support dimensionné pour adapter et maintenir le raccord de cheminée métallique. Vérifiez que les supports soient fixés de façon sûre aux surfaces de la paroi sur tous les côtés. Assurez-vous que les éléments de fixation utilisés pour maintenir le raccord de cheminée métallique ne pénétreraient pas dans le revêtement du carneau de la cheminée.



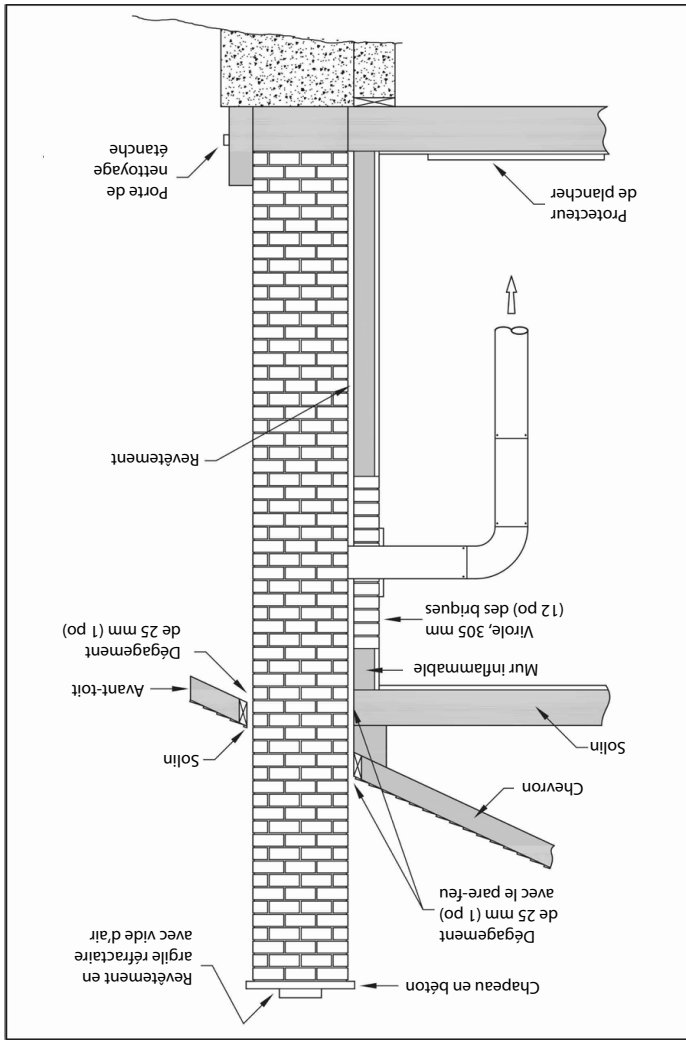
Méthode D. Dégagement de 2 po (50,8 mm) avec un membre de paroi combustible : Commencez avec une partie de cheminée Solid-Pak fabriquée en usine, agréez, d'au moins 12 po (304 mm) de diamètre intérieur avec une isolation de 1 po (25,4 mm) ou plus, et un raccord de cheminée de 8 po de diamètre intérieur (de 2 pouces [51 mm] plus grand que celui de 6 po [152,4 mm]). Utilisez celle-ci comme passage pour un raccord de cheminée métallique pour paroi unique de calibre 24 minimum. Maintenez la section concentrique solid-pak avec le raccord de la cheminée et à une distance de 1 po (25,4 mm) de ce dernier grâce aux platines-supports en tôle situées aux deux extrémités de la section de la cheminée. Couvrez l'ouverture et soutenez la section de la cheminée de deux côtés à l'aide de supports métalliques en tôle de calibre 24 minimum. Vérifiez que les supports soient fixés de façon sûre aux surfaces de la paroi sur tous les côtés. Assurez-vous des éléments de fixation utilisés pour maintenir le conduit de carneau de la cheminée.

REMARQUES :

Les raccords d'une cheminée de maçonnerie, sauf ceux de la méthode B, devront s'étendre sur une section continue à travers le système de passage mural et la paroi de la cheminée, jusqu'à la surface du revêtement intérieur du carneau mais sans le dépasser. Un raccord de cheminée ne devra pas passer à travers un grenier ou un espace du toit, des toilettes ou des espaces confinés similaires, un plancher ou un plafond.

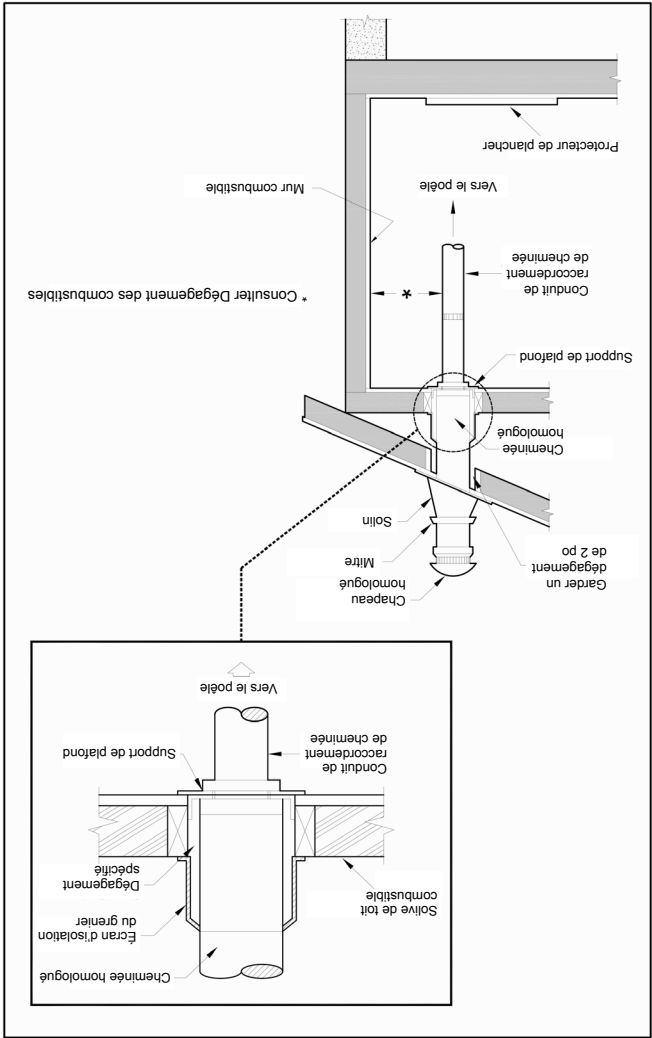
CHEMINÉE FABRIQUÉE EN USINE

Lorsqu'une cheminée métallique préfabriquée est utilisée, les instructions d'installation du fabricant doivent être respectées. Vous devez également acheter (auprès du même fabricant) et installer l'ensemble de support du toit ou le passage du toit et l'ensemble de la partie en "T", des coupe-feux (si nécessaires), un écran d'isolation, un chapeau de toiture, un chapeau de cheminée, etc. Maintenez un dégagement approprié avec la structure tel que recommandé par le fabricant. La cheminée doit avoir la hauteur requise au-dessus du toit ou d'autres obstructions pour des raisons de sécurité et un bon tirage.



CHEMINÉE EN MAÇONNERIE

Assurez-vous qu'une cheminée en maçonnerie répondre aux standards minimum de l'Association nationale de protection contre les incendies (NFPA) en la faisant inspecter par un professionnel. Assurez-vous qu'il n'y ait pas de fissures, de mortiers perdus ou d'autres signes de détérioration et de blocage. Faites nettoyer la cheminée avant d'installer et de faire fonctionner le poêle. Lors du raccordement du poêle à travers une paroi combustible vers une cheminée en maçonnerie, des méthodes spéciales sont requises.



RACCORD DE CHEMINÉE (TUYAU PUSSE)

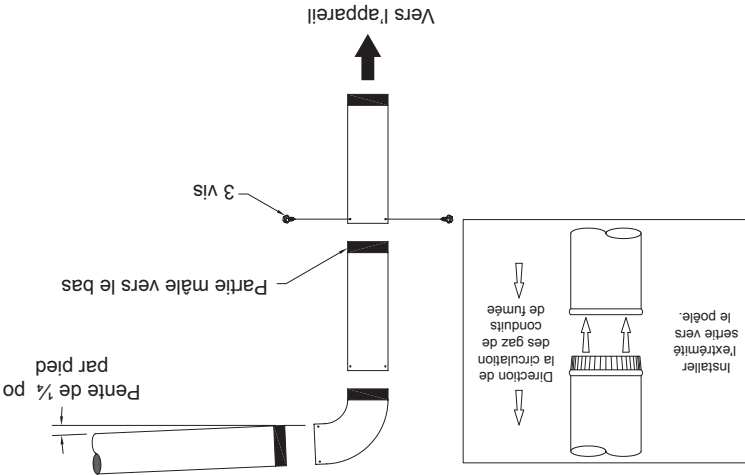
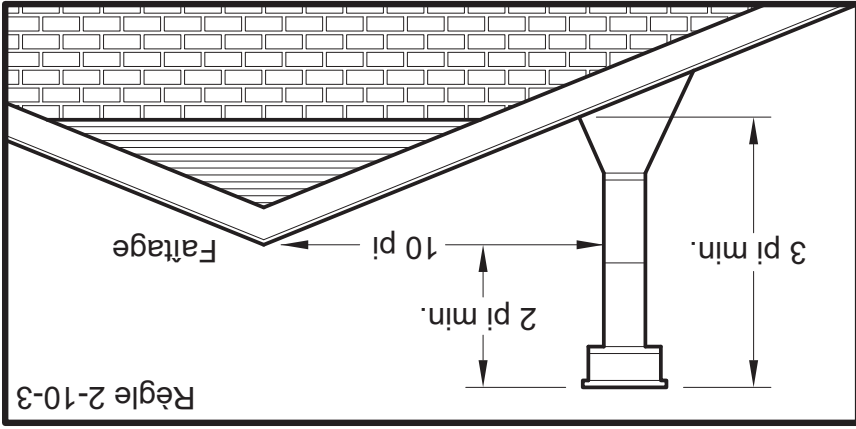
Votre raccord de cheminée et votre cheminée doivent avoir le même diamètre que la sortie du poêle (6"). Si ce n'est pas le cas, nous vous recommandons de contacter votre vendeur afin de vous assurer qu'il n'y aura aucun problème de tirage. Le tuyau de poêle doit être fabriqué dans un acier aluminisé ou laminé à froid d'une épaisseur minimale de 0,021 po ou 0,53 mm. Il est strictement interdit d'utiliser un acier galvanisé. Votre tuyau de fumée devra être assemblé de telle sorte que la partie mâle (extrémité sertie) du tuyau pointe vers le bas. Fixez chacune des parties du tuyau horizontalement droit. Toutes les parties installées horizontalement doivent avoir une pente d'au moins 1/4 de pouce par pied, avec l'extrémité supérieure de la partie dirigée vers la cheminée. Une installation avec une section horizontale de tuyau de cheminée doit être conforme à NFPA 211. Vous pouvez contacter la NFPA (Association nationale de protection contre les incendies) et demander la dernière édition du standard 211 de la NFPA. Pour assurer un bon tirage, la longueur totale de tuyau de raccordement ne devra jamais dépasser 8' à 10' (2,4 m à 3,04 m). [Excepté dans le cas d'installations verticales, de type plafond ou pièce). Il ne devra jamais y avoir plus de deux coudes à 90 degrés dans long et raccordez sans problème au plafond de la pièce). Le système d'aspiration des fumées peut être beaucoup plus le système d'aspiration des fumées. L'installation d'un « stabilisateur de tirage barométrique » (registre de cheminée) sur un système d'aspiration des fumées est interdite. De plus, l'installation d'un registre de tirage n'est pas recommandée. En effet, avec un poêle à bois de combustion contrôlée, le tirage est régulé dès l'admission de l'air de combustion dans le poêle et non à l'évacuation.

CHEMINÉE

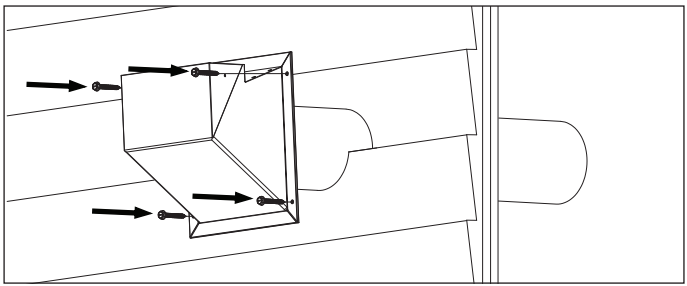
Votre poêle à bois doit être raccordé avec une cheminée fabriquée en usine ou en maçonnerie de 6". Si vous utilisez une cheminée fabriquée en usine, elle doit répondre à la norme UL 103 et CAN/CSA-B365 ; par conséquent elle doit être de type HT (2100 °F). Il est extrêmement important qu'elle soit installée conformément aux spécifications du fabricant. Si vous utilisez une cheminée en maçonnerie, il est important qu'elle soit construite conformément aux spécifications du Code national de construction. Elle doit être revêtue de briques en argile réfractaires, de tuiles métalliques ou réfractaire. Les carreaux cylindriques sont les plus efficaces. Le diamètre intérieur du carneau de cheminée doit être identique à l'aspiration des fumées du poêle. Un carneau trop petit peut entraîner des problèmes de tirage, tandis qu'un grand carneau favorise un refroidissement rapide des gaz, et donc l'accumulation de créosote et le risque de feu de cheminée. Remarque que c'est la cheminée et non le poêle qui crée l'effet de tirage ; les performances de votre poêle dépendent directement du bon tirage de votre cheminée. Les recommandations suivantes peuvent être utiles pour l'installation de votre cheminée :

1. NE CONNECTEZ PAS CETTE UNITÉ À UN CARNEAU DE CHEMINÉE UTILISÉ PAR UN AUTRE APPAREIL.

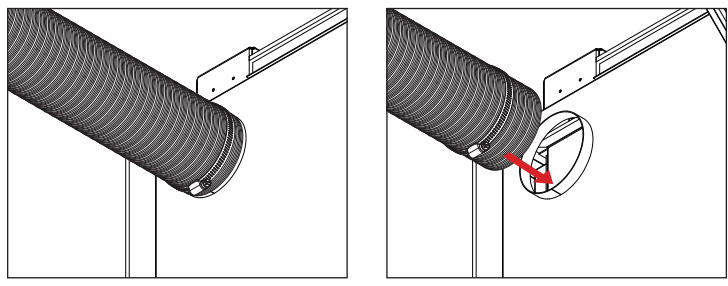
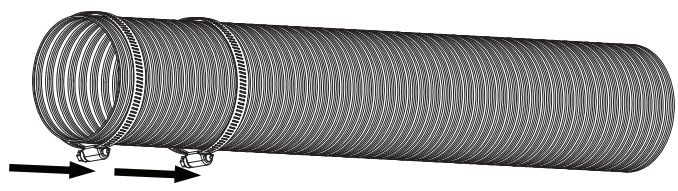
2. Elle doit s'élever au-dessus du toit d'au moins 3' (0,9 m) à partir du point le plus haut de contact.
3. La cheminée doit dépasser toute partie de la construction ou autre obstruction à moins de 10 pi (3,04 m) d'une hauteur de 2 pi (0,6 m).
4. L'installation d'une cheminée intérieure est toujours préférable à une cheminée extérieure. En effet, la cheminée intérieure, sera, par définition, plus chaude qu'une cheminée extérieure, étant donné qu'elle est chauffée par l'air ambiant de la maison. Par conséquent, le gaz qui circule se refroidira plus lentement, réduisant ainsi l'accumulation de créosote et le risque de feu de cheminée.
5. Le tirage entraîné par la tendance de l'air chaud à s'élever sera augmenté avec une cheminée intérieure.
6. L'utilisation d'un pare-feu à l'extrémité de la cheminée requiert une inspection régulière afin de garantir qu'il n'est pas obstrué, bloquant donc le tirage et devra être nettoyé lorsqu'il est utilisé régulièrement.



2. Insérez la pièce de raccordement du capot anti-intempéries dans le trou, fixez le capot anti-intempéries aux quatre coins à l'aide des vis fournies. Calfeutrez les bords du capot et vissez-le pour le fixer. Cette tâche doit être effectuée après l'installation du poêle et le raccord de la tuyauterie d'évacuation. Essayez de positionner le trou d'entrée d'air le plus près possible du poêle.



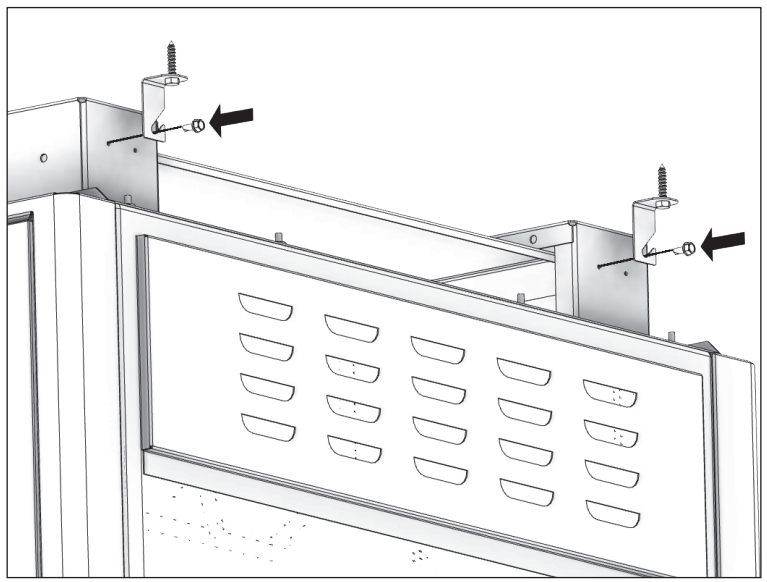
3. Glissez les deux colliers de serrage sur le tuyau flexible en aluminium. Glissez ensuite le tuyau flexible jusqu'au tube d'entrée d'air du poêle. Serrez le collier de serrage sur l'extrémité du tuyau flexible en aluminium.



4. Rattachez le tuyau flexible au raccord mural et insérez la pièce de raccordement dans le tuyau flexible. Posez le deuxième collier de serrage sur la pièce de raccordement, puis serrez.

FIXATION DE L'APPAREIL AU SOL

Utilisez les trous désignés pour fixer l'unité au sol, comme illustré.



EXIGENCES SPÉCIALES POUR LES MAISONS MOBILES (APPROUVÉES POUR UNE UTILISATION DANS LES MAISONS

MOBILES (ÉTATS-UNIS UNIQUEMENT)

AVERTISSEMENT - N'INSTALLEZ PAS L'APPAREIL DANS UNE CHAMBRE À COUCHER

MISE EN GARDE - L'INTÉGRITÉ STRUCTURALE DU PLANCHER, DES MURS ET DU TOIT/PLAFOND DE LA MAISON MOBILE DOIT ÊTRE

MAINTENUE.

Outre les exigences précédentes en matière d'installation, toute installation dans une maison mobile doit satisfaire aux critères suivants:

- Le radiateur doit être connecté à une cheminée préfabriquée conforme à UL 103, il doit donc être de type HT (2100 ° F).
- Le radiateur doit être fixé en permanence au sol.
- Le radiateur doit être électriquement mis à la terre sur le châssis en acier de la maison mobile avec du fil de cuivre de 8 ga à l'aide d'une rondelle dentelée ou en étoile pour pénétrer la peinture ou le revêtement protecteur pour assurer la mise à la terre.
- Lors du déplacement de votre maison mobile, toute ventilation extérieure doit être retirée pendant le déplacement de la maison mobile. Après la relocalisation, toute la ventilation doit être réinstallée et solidement fixée.
- L'air extérieur est obligatoire pour l'installation dans une maison mobile. Consultez votre revendeur pour l'achat.
- Vérifiez auprès des responsables locaux de la construction car d'autres codes peuvent s'appliquer.
- Utilisez uniquement les composants spécifiés répertoriés dans ce manuel pour cet appareil. L'utilisation de composants non destinés à cet appareil peut entraîner des conditions dangereuses.

DIRECTIVES D'ASSEMBLAGE DU SYSTÈME D'AIR COMBURANT INSTALLATION DANS UNE MAISON MOBILE - REQUIS

Cet appareil nécessite une source d'air de combustion lorsqu'il est installé dans une maison mobile. Si le bâtiment dans lequel cette unité est installée est de construction étanche ou a des problèmes de pression négative, une source d'air extérieure est nécessaire. Vous trouverez ci-dessous une liste d'indicateurs possibles indiquant qu'une source d'air de combustion extérieure peut être requise.

- Votre poêle n'effectue pas un tirage uniforme, produit des retours de fumée, ne brûle pas bien le combustible ou si des retoulements d'air se produisent, qu'il y ait de la combustion ou non.
- Des équipements à combustibles se trouvent dans la maison (tels que foyers ou autres appareils de chauffage), en présence d'odeurs, de mauvais fonctionnements, de retours de fumée lors de l'ouverture du poêle ou de retoulements d'air, qu'il y ait de la combustion ou pas.
- Ouvrez légèrement une fenêtre lors d'une journée sans vent atténue tous ces symptômes.
- La maison est dotée d'une barrière à vapeur bien scellée et des fenêtres hermétiques et (ou) des dispositifs électriques qui évacuent l'air de la maison.
- Une concentration excessive de condensation des fenêtres se produit en hiver.
- Un système de ventilation est installé dans la maison.

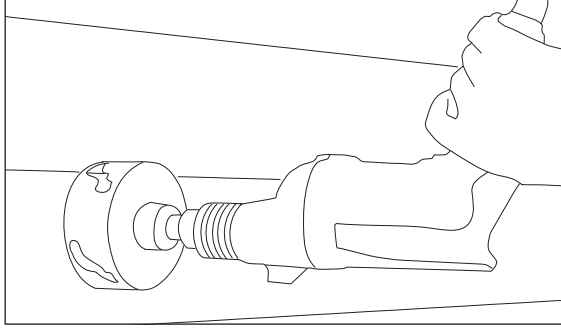
Si une entrée d'air extérieur est requise, vous pouvez acheter un kit d'air frais standard de 4" chez votre revendeur de poêles local.

4FAK INSTALLATION

L'installation d'un ensemble d'air frais est nécessaire afin d'installation doit respecter toutes les normes locales. Si vous poêle après avoir lu ces instructions, vous devez faire appeler installateur de poêle autorisé.

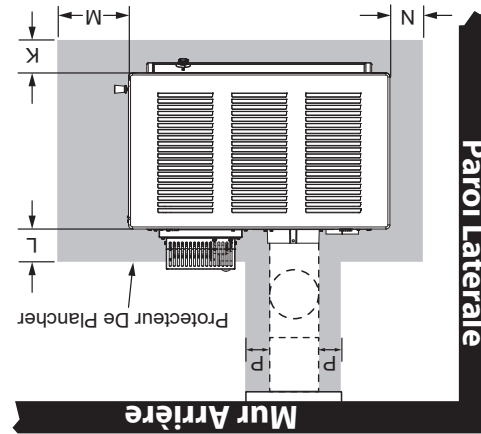


1. Placez le poêle vis-à-vis de l'emplacement désiré. Marquez et percez un trou de 5 pouces dans le mur à l'aide d'une perceuse électrique, au point d'entrée souhaité. Le point d'entrée doit être au même niveau ou plus bas que le tube d'entrée d'air du poêle.



PLANCHER PROTECTEUR

Cet appareil de chauffage doit avoir un protecteur de plancher incombustible avec une protection minimale contre les brisures de type 1 s'étendant sous l'appareil de chauffage si le plancher est en matériau combustible. Si un coussin de sol est utilisé, il doit être homologué UL ou équivalent. Le protecteur de plancher doit être suffisamment grand pour s'étendre sous le poêle et au-delà de chaque côté comme indiqué. S'il y a une conduite horizontale de tuyau de fumée, il doit y avoir une protection de plancher en dessous qui s'étend sur deux pouces au-delà de chaque côté du tuyau.

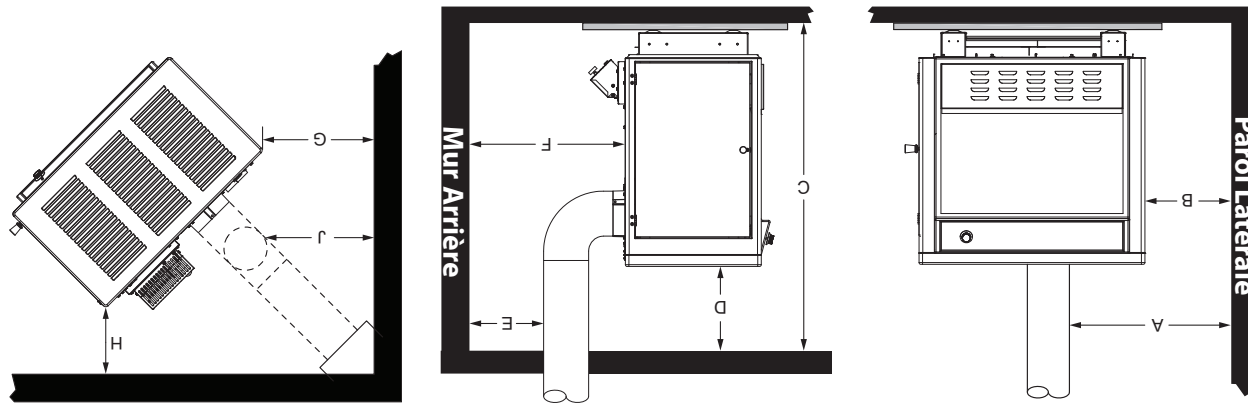


Clé	mm		
K	204	De face	
L	204	Arrière	
M	16 (USA) 407 (USA) 18 (CAN) 458 (CAN)	Côté de chargement de carburant	
N	8	Côté gauche	
P	51	Conduit de cheminée	

Remarque: Lorsque vous choisissez un emplacement pour cet appareil, assurez-vous qu'il y a suffisamment d'espace disponible pour ouvrir complètement la porte.

DÉGAGEMENTS AUX COMBUSTIBLES

Il est de la plus haute importance de respecter scrupuleusement les dégagements par rapport aux matériaux combustibles lors de l'installation du poêle.

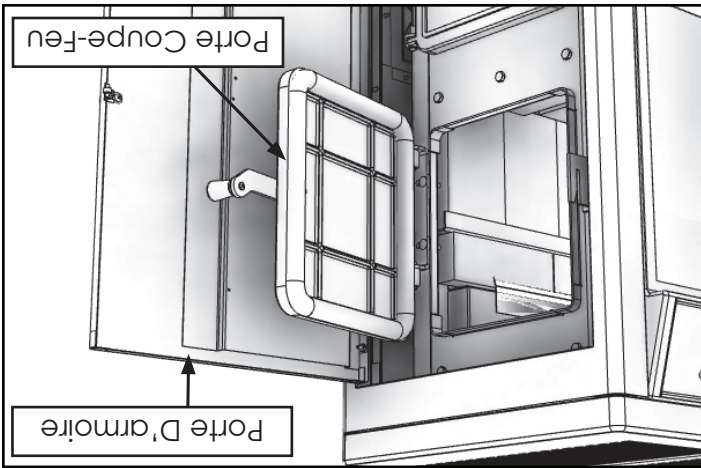


Clé	po	mm	
A	23	585	Flanc à conduit
B	14	356	Paroi latérale au poêle
C	84	2134	Hauteur de plafond
D	50,5	1283	Du haut du poêle au plafond
E	18	458	Mur arrière à la cheminée
F	28	712	Mur arrière au poêle
G	18	458	Du mur au coin (installation en angle)
H	18	458	Mur au coin de chargement de carburant (installation en angle)
J	18	458	Du mur au conduit (installation en angle)

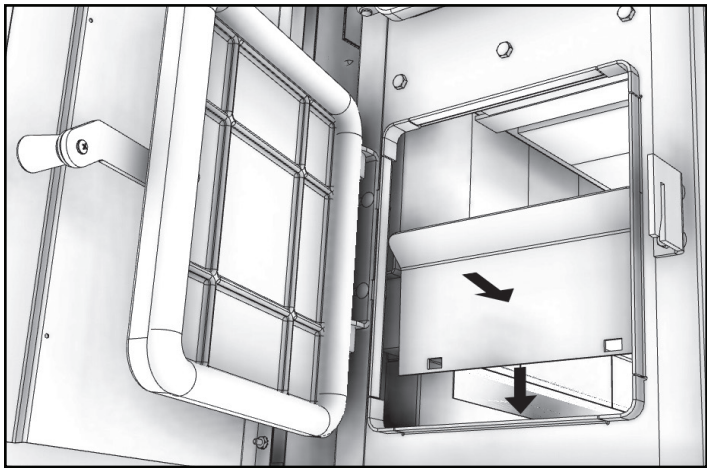
- La hauteur entre le plancher et le plafond doit être d'au moins 7 pi (2,13 m) dans tous les cas.
- Ne placez pas de matériaux combustibles à moins de 4 pi (1,2 m) de l'avant de l'appareil.
- Le jeu entre le conduit de fumée et un mur est valable uniquement pour les parois verticales et conduit de fumée vertical.
- Le connecteur de cheminée ne doit pas passer à travers un grenier ou combles, toillettes ou similaire espaces confinés, le plancher ou le plafond.
- Dans une usine canadienne dans laquelle un passage à travers un mur, ou une partie de construction combustible est souhaitée, l'installation doit être conforme à la norme CAN / CSA-B365.
- Un tuyau de raccordement traversant un mur combustible doit avoir un dégagement minimum de 18 po (458 mm).
- Pour réduire les dégagements de fumée aux combustibles, contactez votre service de sécurité local.

INSTALLATION D'UN RIDEAU DE FUMÉE

1. Ouvrez la porte de l'armoire et la porte coupe-feu.



2. Localisez les deux crochets à l'intérieur du foyer au-dessus de l'ouverture de la porte coupe-feu, comme illustré.



3. Faites glisser le rideau de fumée à travers la porte coupe-feu et accrochez-le en place. Remarque: le rideau de fumée a un coude en bas. Lors de la mise en place du rideau de fumée, assurez-vous qu'il est orienté vers la porte coupe-feu, comme illustré.

Installation

AVIS DE SÉCURITÉ

- SI VOTRE POÊLE EST MAL INSTALLÉ, UN INCENDIE PEUT PROVOQUER, POUR RÉDUIRE LE RISQUE D'INCENDIE, SUIVRE LES INSTRUCTIONS D'INSTALLATION.
- CONSULTER VOTRE SERVICE MUNICIPAL IMMÉDIATEMENT EN CAS D'INCENDIE OU D'INCENDIE À PROPOS DE PERMIS, RESTRICTIONS ET INSTALLATIONS EXIGENCES DANS VOTRE RÉGION.
- UTILISATION D'UN DÉTECTEUR DE FUMÉE DANS LA PIÈCE OÙ EST INSTALLÉ VOTRE POÊLE.
- GARDER VÊTEMENTS ET LES MEUBLES LOIN DU POÊLE.
- NE JAMAIS UTILISER D'ESSENCE, ESSENCE-TYPE LANTERNE, KÉROÛSE, ALLUME FLUIDE, OU LIQUIDES SIMILAIRES POUR COMMENCER OU "rafraîchir" UN FEU DANS CET APPAREIL. GARDEZ TOUS CES LIQUIDES LOIN DU CHAUFFAGE PENDANT QU'IL EST UTILISÉ.
- EN CAS D'UN FEU DE CHEMINÉE, APPUYER SUR LE CONTRÔLE D'AIR EN POSITION FERMÉE POUR PRIVÉ LE FEU D'OXYGÈNE. APPELÉZ LES POMPIERS.
- NE PAS CONNECTER À UN CONDUIT DE DISTRIBUTION D'AIR OU SYSTÈME.
- UNE SOURCE D'AIR FRAIS DANS LA PIÈCE OU L'ESPACE CHAUFFÉ EST FOURNI LORSQUE REQUIS.

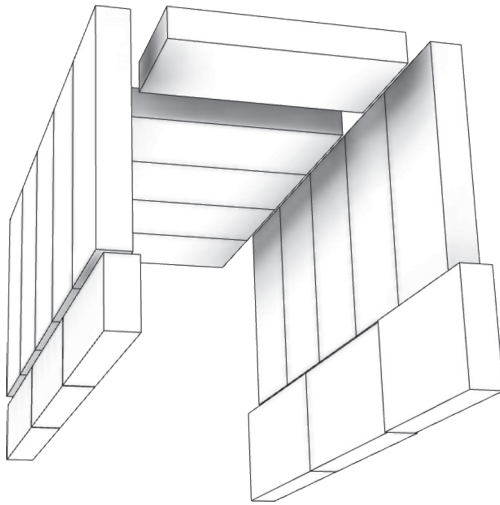
POSITIONNEMENT DU POÊLE

Il est très important de localiser le poêle à bois le plus près possible de la cheminée, et dans un endroit qui favorisera la distribution de chaleur la plus efficace possible dans toute la maison. Le poêle doit donc être installé dans la pièce où le plus de temps est passé, et dans la salle la plus vaste possible. Rappelons que la chaleur des poêles à bois par rayonnement, qui chauffe nous ressentons lorsque nous sommes près d'un poêle à bois. Un poêle à bois fonctionne aussi par convection, qui est par le déplacement de l'air chaud vers le haut et son remplacement avec refroidisseur d'air. Si nécessaire, la distribution d'air chaud du poêle peut être facilitée par l'installation d'un ventilateur. Le poêle à bois ne doit pas être relié à un système de distribution d'air chaud depuis une accumulation excessive de chaleur peut se produire. Un poêle à bois ne doit jamais être installé dans un couloir ou près d'un escalier, car il peut bloquer le passage en cas d'incendie ou de ne pas respecter les dégagements requis.

Assemblé Instructions

DÉBALLER ET INSPECTER

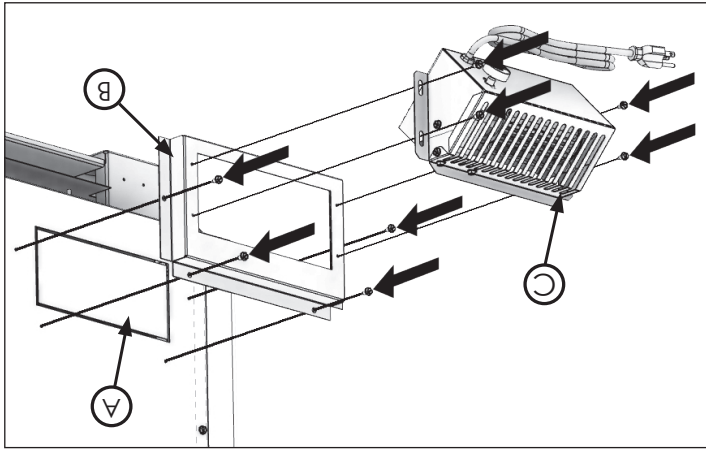
Retirez l'emballage de l'appareil et vérifiez qu'il n'est pas endommagé. Assurez-vous que les briques sont correctement positionnées et non cassées (voir l'illustration pour la disposition appropriée des briques). Assurez-vous que la chicane, au-dessus des tubes à air, est en place et en bon état.



ENSEMBLE VENTILATEUR - FACULTATIF

Le ventilateur doit être déconnecté de la source d'alimentation électrique avant de tenter l'installation.

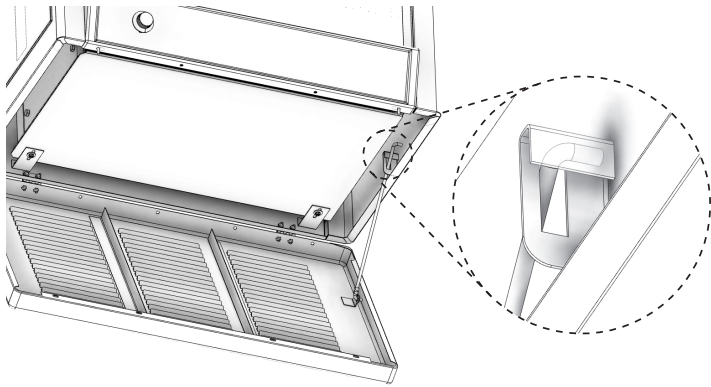
1. Retirez le panneau (A) en utilisant des cisailles ou frapper à l'aide d'un marteau et un burin attention à ne pas déformer la surface de montage.
2. Fixer le boîtier de montage du ventilateur (B) à l'arrière de l'appareil à l'aide de quatre (4) des N° 10 vis fournies.
3. Ensuite, montez le ventilateur avec les quatre (4) vis restantes.



CABINET PORTE ENSEMBLE BOUTON

La poignée de la porte de l'armoire est montée à l'intérieur de la porte de l'armoire pour faciliter la navigation et doit être retiré et réinstallé pour une utilisation appropriée. Pour obtenir la porte de l'armoire ouverte, placez votre main sous le châssis de l'armoire (côté droit de la porte de l'armoire) et pousser la porte dehors. Suivre ces instructions pour le montage porte bouton:

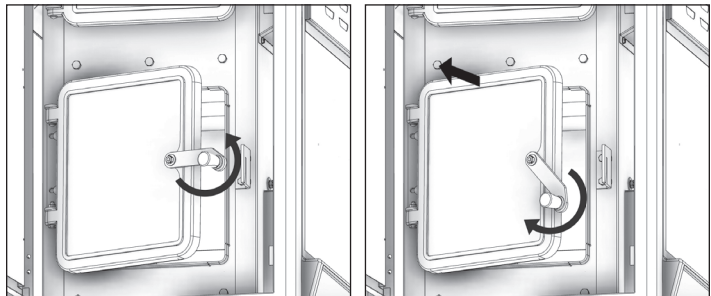
1. Retirez la vis de la machine et la poignée de porte.
2. Placez le bouton à l'extérieur de la porte de l'armoire, réinstallez la vis à métaux et serrez. Veillez à ne pas retirer les fils de la poignée.



COMMENT OUVRIR LE COUVERCLE SUPÉRIEUR

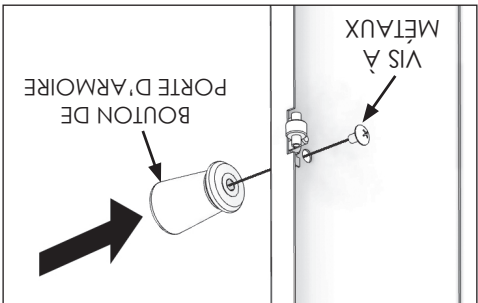
PRUDENCE! NE PAS OUVRIR OU FERMER LE TOP LORSQUE LE CHAUFFE EST CHAUD! Pour ouvrir, saisissez le haut à l'avant ou à chaque coin et soulever tout le chemin jusqu'à la tige de support arrête le mouvement. Abaissez ensuite doucement le haut permettant à la tige de support pour se déposer dans la tasse, en tenant la partie supérieure ouverte. Pour fermer, soulevez le haut jusqu'à ce que la tige de support est hors de la coupe. Tirez sur la tige avant et abaisser le couvercle fermé.

REMARQUE: Au cours de l'ouverture et la fermeture des portes d'alimentation et de cendres de cet appareil, il peut sembler que l'ajustement de la porte est "trop serré". Comme l'appareil de chauffage est tiré, les joints d'étanchéité "installés" ou "sièges" lui-même dans la porte. L'ajustement serré à l'usine et avant le tir initial de l'appareil de chauffage est d'assurer une bonne étanchéité après la "gasketing" "installé".



1. Soulevez la poignée pour désengager le loquet.
2. Ouvrez la porte d'alimentation pendant environ 10 secondes pour permettre à l'excès de chaleur de s'échapper.
3. Après environ 10 secondes, abaissez la poignée et continuez à ouvrir la porte.

FONCTIONNEMENT DE LA POIGNÉE ET DE LA PORTE D'ALIMENTATION



Les instructions relatives à l'installation de votre poêle à bois sont conformes aux normes UL-1482 (R2015) et UL-C-5627-00 (R2016). Ce manuel décrit l'installation et le fonctionnement du poêle à bois Ashley, AWA40E. Cet appareil de chauffage respecte les limites d'émission de bois de construction de 2020 de la US Environmental Protection Agency pour les appareils de chauffage au bois vendus après le 15 mai 2020. Dans des conditions de test spécifiques, il a été démontré que cet appareil de chauffage fournit de la chaleur à des taux allant de 17 611 à 48 127 Btu / h (0,91 g / h). et efficacité de 72%). Remarque: Les cotes BTU mentionnées ci-dessus sont basées sur le protocole de test EPA dans des conditions de test spécifiques. Nos BTU annoncés sont basés sur la première heure de fonctionnement à un taux de combustion élevé brûlant du bois de corde.

Combustible:	Bois
Couleurs:	Noir métallisé
Fûle Diamètre du tuyau:	6 po (153 mm)
Fûle Type de tuyau: (Simple Standard mur ou double mur):	Noir ou acier bleu! 2100 ° F (650 ° C)
Hauteur minimum:	12 pi (3,7 m)
Longueur maximale du journal:	21 po (534 mm)
Dimensions	
Dans l'ensemble: Profondeur x Largeur x Hauteur:	21,5 po x 32 po x 33,5 po (547 mm x 813 mm x 864 mm)
Chambre de combustion: Largeur x Profondeur:	11-3 / 8 po x 24-3 / 4 po (289 mm x 629 mm)
Le Volume: Pieds Cubes:	2,32 pi³
Ouverture de la porte: Largeur x Hauteur:	10 po x 11-3 / 8 po (854 mm x 289 mm)

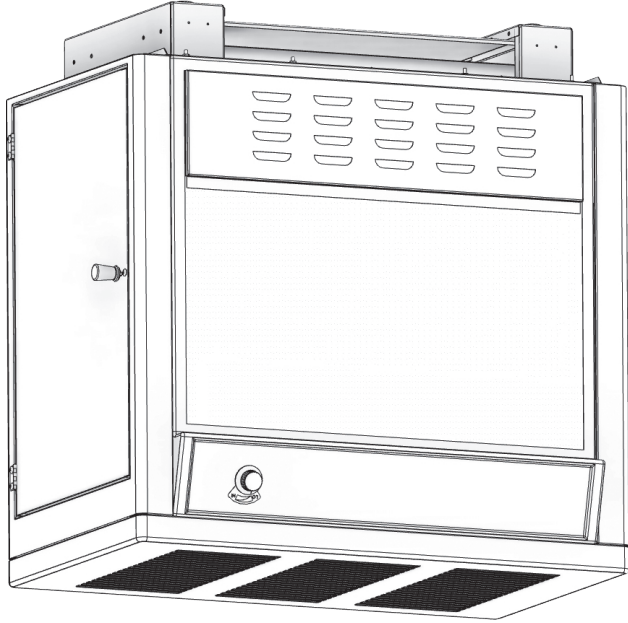
AVERTISSEMENTS:

- Chaud en fonctionnement. Gardez les enfants, les vêtements et les meubles. Le contact peut causer des brûlures cutanées.
- Ne pas utiliser des produits chimiques ou autres liquides pour allumer le feu.
- Ne pas laisser le poêle sans surveillance lorsque la porte est ouverte.
- Ne pas brûler de déchets, liquide inflammables comme l'essence, le naphtha ou l'huile à moteur.
- Ne pas connecter à un conduit de distribution d'air ou système.
- Toujours fermer la porte après la allumage.

Remarque: Enregistrez votre produit en ligne à www.usstove.com. Conservez votre reçu avec vos dossiers pour toute réclamation.



MODÈLE: AW40E



Rapport #: F20-596

Testé selon ALT-125, ASTM E2515, ASTM E3053 et CSA B415.1-10

Certifié: UL 1482-11 (R2015) et certifié: ULC-S627-00

Chauffage de pièce, type à combustible solide, également pour utilisation dans les maisons mobiles

(États-Unis uniquement)

AVERTISSEMENT CONCERNANT LA PROPOSITION 65 DE L'ÉTAT DE LA CALIFORNIE :
 Ce produit peut vous exposer à des agents chimiques, y compris au monoxyde de carbone, lesquels sont reconnus dans l'état de la Californie comme causant le cancer et des malformations congénitales ou autres dommages au fœtus. Pour obtenir plus de renseignements, veuillez consulter le site www.P65warnings.ca.gov

CONSERVEZ CES INSTRUCTIONS
 CE MANUEL VOUS AIDERA À OBTENIR UN SERVICE EFFICACE ET FIABLE
 À PARTIR DU RADIATEUR ET VOUS PERMETTRA DE COMMANDER
 CORRECTEMENT LES PIÈCES DE RÉPARATION. GARDEZ DANS UN
 ENDROIT SÛR POUR RÉFÉRENCE FUTURE.

AVIS DE SÉCURITÉ:
 Si cet appareil de chauffage est pas installé correctement,
 un incendie peut en résulter. Pour votre sécurité, suivez
 les instructions d'installation. Ne jamais utiliser de faire des
 compromis de décalage lors de l'installation de cet appareil
 de chauffage. Contactez les agents du bâtiment ou d'incendie
 locaux sur les permis, les restrictions et les exigences d'installation
 dans votre région.

PRUDENCE!
 S'il vous plaît lire l'intégralité de ce manuel avant d'installer ou
 d'utiliser votre nouvel appareil de chauffage. Le non-respect
 des instructions peut entraîner des dommages matériels, des
 blessures ou même la mort. Installation incorrecte pourrait
 annuler votre garantie!

TOUTES LES PHOTOS MONTRÉES SONT UNIQUEMENT À
 DES FINS ILLUSTRATIVES. LE PRODUIT RÉEL PEUT VARIER EN
 RAISON DE L'AMÉLIORATION DU PRODUIT.

Ce manuel peut être modifié sans préavis.

U.S. Environmental Protection Agency
 Certifié pour se conformer aux normes d'émissions de
 particules de 2020.

United States Stove Company
 227 Industrial Park Rd.,
 South Pittsburg, TN 37380
 PH: (800) 750-2723
www.usstove.com

